



EVALUATION REPORT

FLORIDA BUILDING CODE, 8TH EDITION (2023)

Manufacturer: DAN'S CUSTOM SHEET METAL, INC. *Issued September 13, 2023*
 5700 Washington Street
 Naples, FL 34109
 (239) 594-0530
<http://www.dcsm.net>

Manufacturing: Naples, FL

Quality Assurance: Architectural Testing, Inc., an Intertek Company (QUA1844)

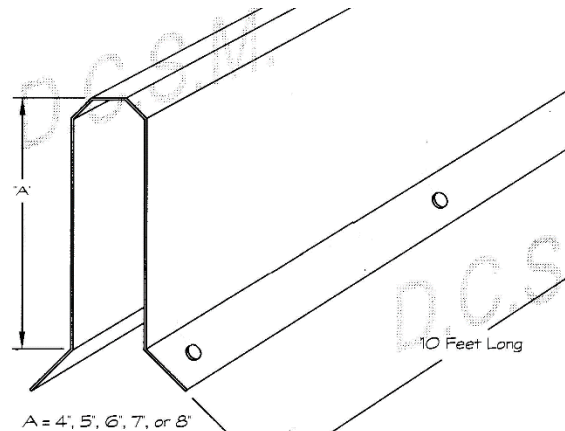
SCOPE

Category: Roofing
Subcategory: Roofing Accessories that are an integral part of the roofing system
Code Sections: 1504.2.1, 1507.3.7
Properties: Wind Resistance

PRODUCT DESCRIPTION

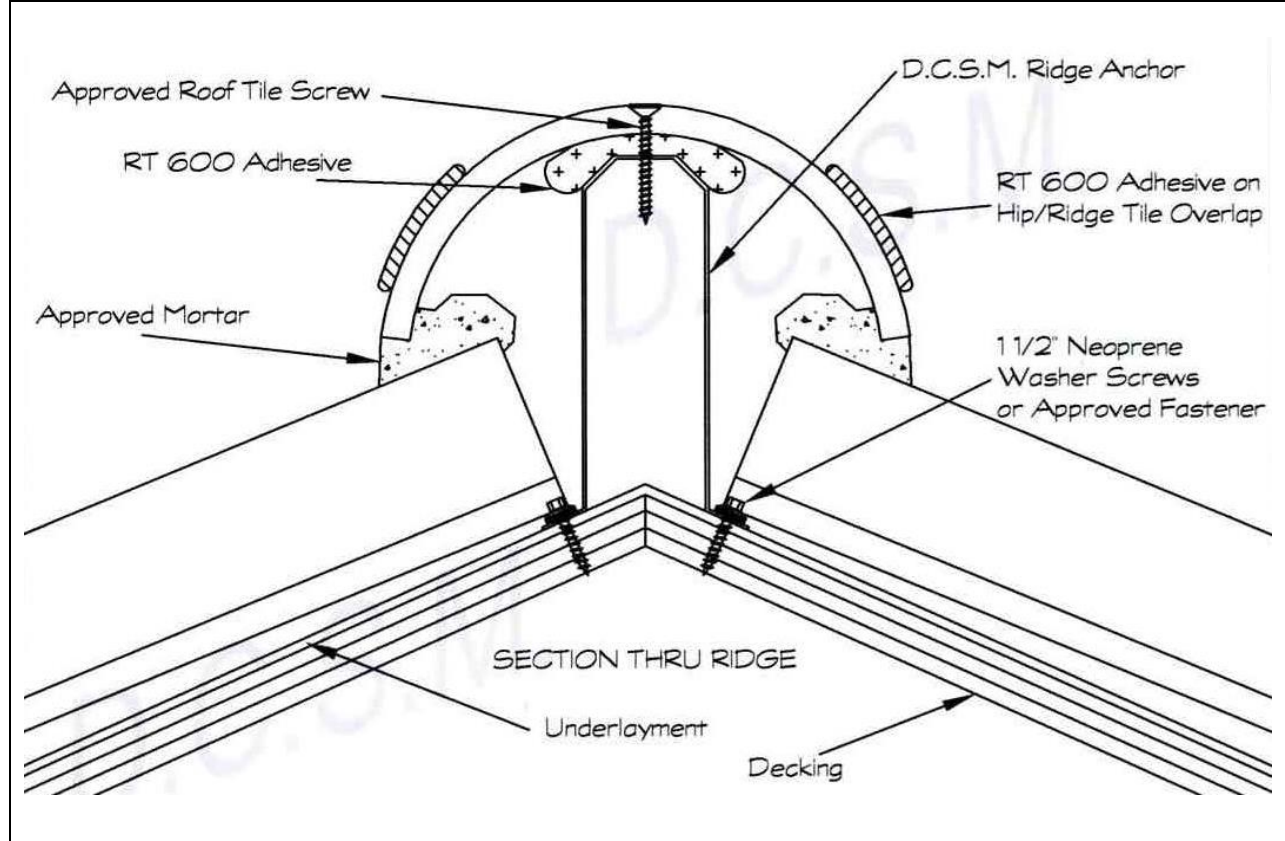
DCSM Ridge Anchor

Dimensions: Min. 26 ga.; 10-ft length; Available in 4, 5, 6, 7, or 8-inch heights
Description: Steel ridge anchor for use with clay and concrete roof tiles
Material: $F_y = \text{min. } 25 \text{ ksi}$; Shall conform with FBC Section 1507.4.3

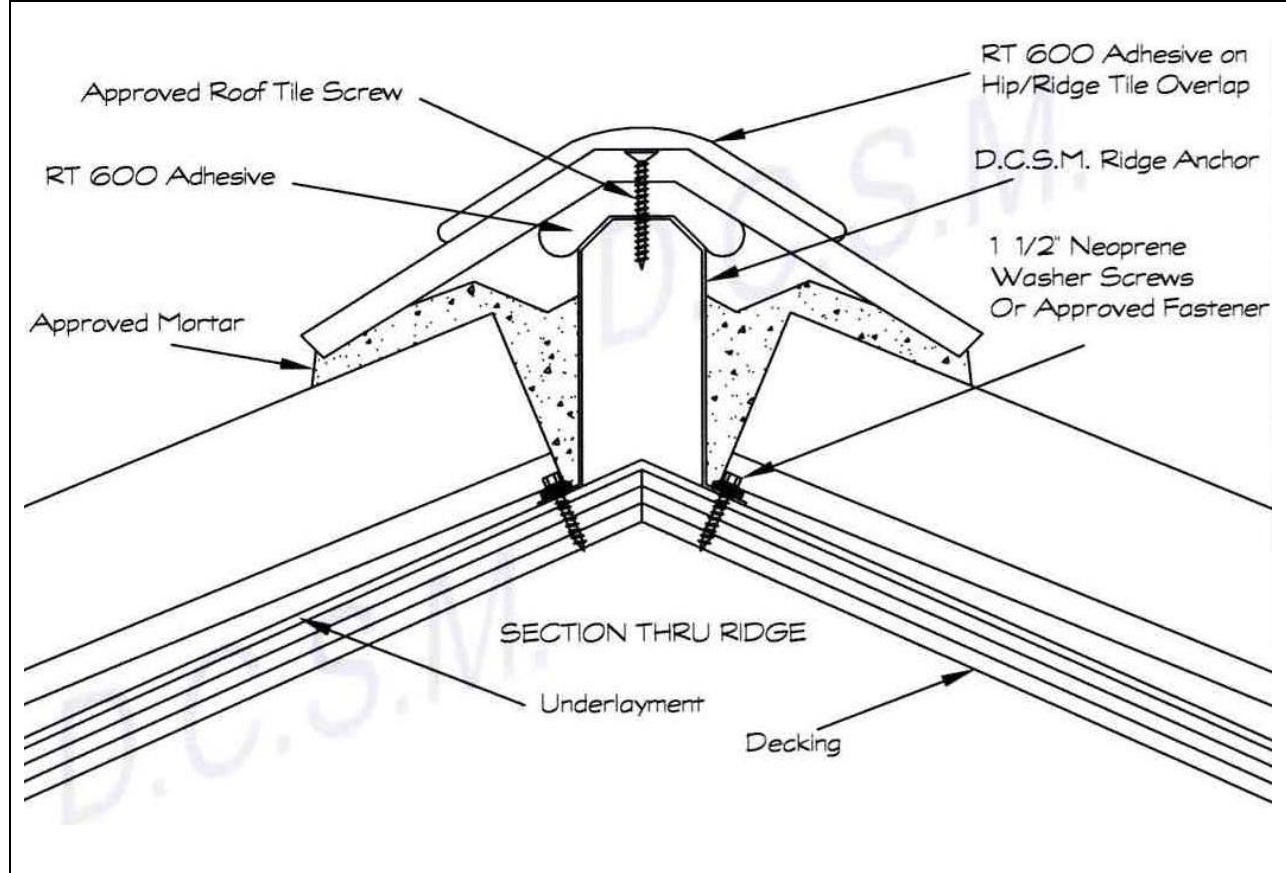


APPROVED ASSEMBLIES

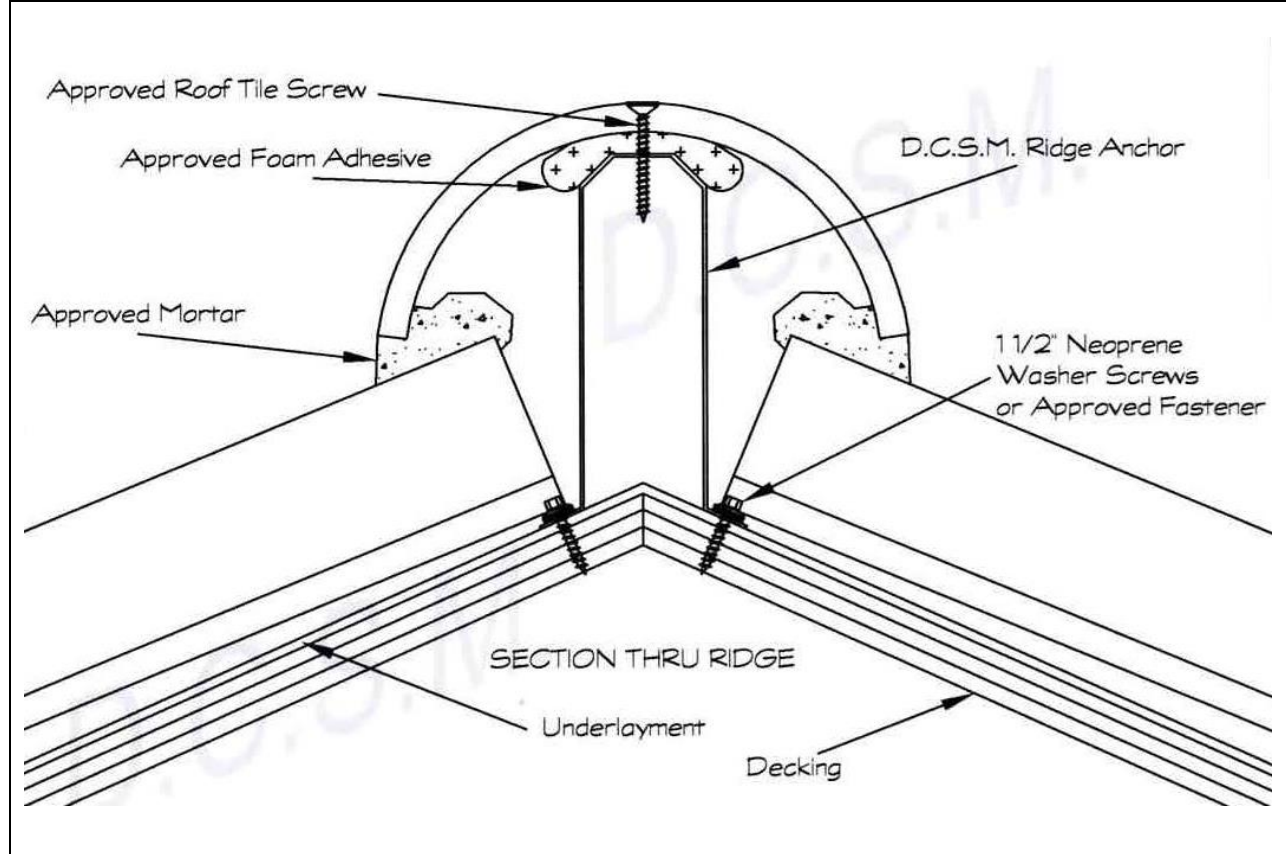
DCSM Ridge Anchor – Detail A	
Roof Deck:	Minimum 15/32-inch 32/16 span rated, 4-ply, plywood sheathing for new and existing roof deck (Deck shall be designed by others in accordance with FBC requirements).
Ridge Anchor:	#10 x 1-1/2 HWH wood screws with sealing washers attached 16-inch o.c. along each mounting flange into the wood deck.
Ridge Tile:	Monier Capri Trim Ridge Tile shall be attached to the Ridge Anchor with two (2) 10g paddies of OSI, RT-600 Roof Tile Adhesive . The first paddy shall, be placed on the ridge at the location where the tile fastener penetration shall occur. The second paddy, a 3/8-inch x 8-inch strip of the adhesive, shall be placed at the head of the tile and shall extend across the entire lap area of the tile. The tile fastener, #10 x 2-inch, shall be placed in the factory drilled hole at the head of the tile and driven through the foam paddy into the ridge anchor.
Maximum Overturning Moment:	216 ft-lbf <i>Calculated using 2:1 margin of safety per 1504.9.</i>



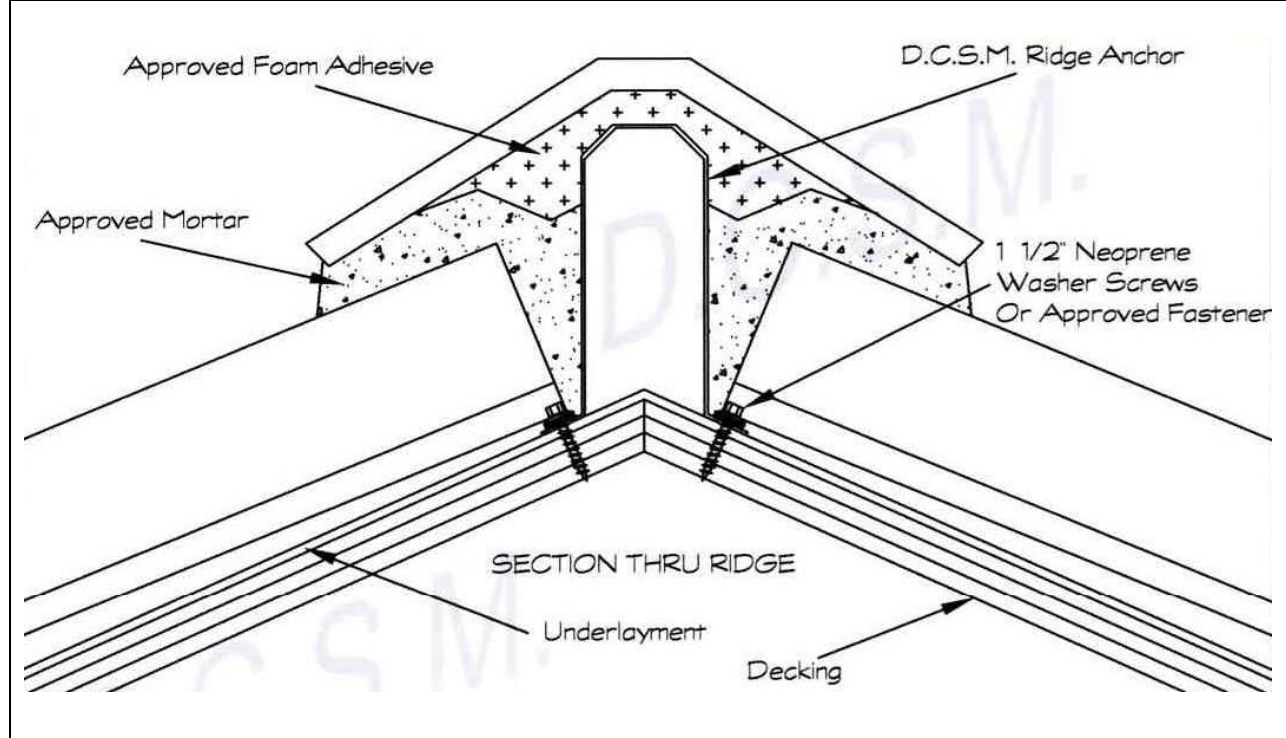
DCSM Ridge Anchor – Detail B	
Roof Deck:	Minimum 15/32-inch 32/16 span rated, 4-ply, plywood sheathing for new and existing roof deck (Deck shall be designed by others in accordance with FBC requirements).
Ridge Anchor:	#10 x 1-1/2 HWH wood screws with sealing washers attached 16-inch o.c. along each mounting flange into the wood deck.
Ridge Tile:	Monier Concrete Ridge Tile shall be attached to the Ridge Anchor with one (1) 22g paddy, 2x8-inch strip, of OSI, RT-600 Roof Tile Adhesive starting two inches from the head of the tile and extending along the ridge anchor. A second 22g paddy, 2x8-inch strip, of OSI, RT-600 Roof Tile Adhesive shall be placed between the tiles at the headlap. The tile fastener, #10 x 2-inch, shall be placed in the factory drilled hole at the head of the tile and driven through the foam paddy into the ridge anchor.
Maximum Overturning Moment:	161 ft-lbf <i>Calculated using 2:1 margin of safety per 1504.9.</i>



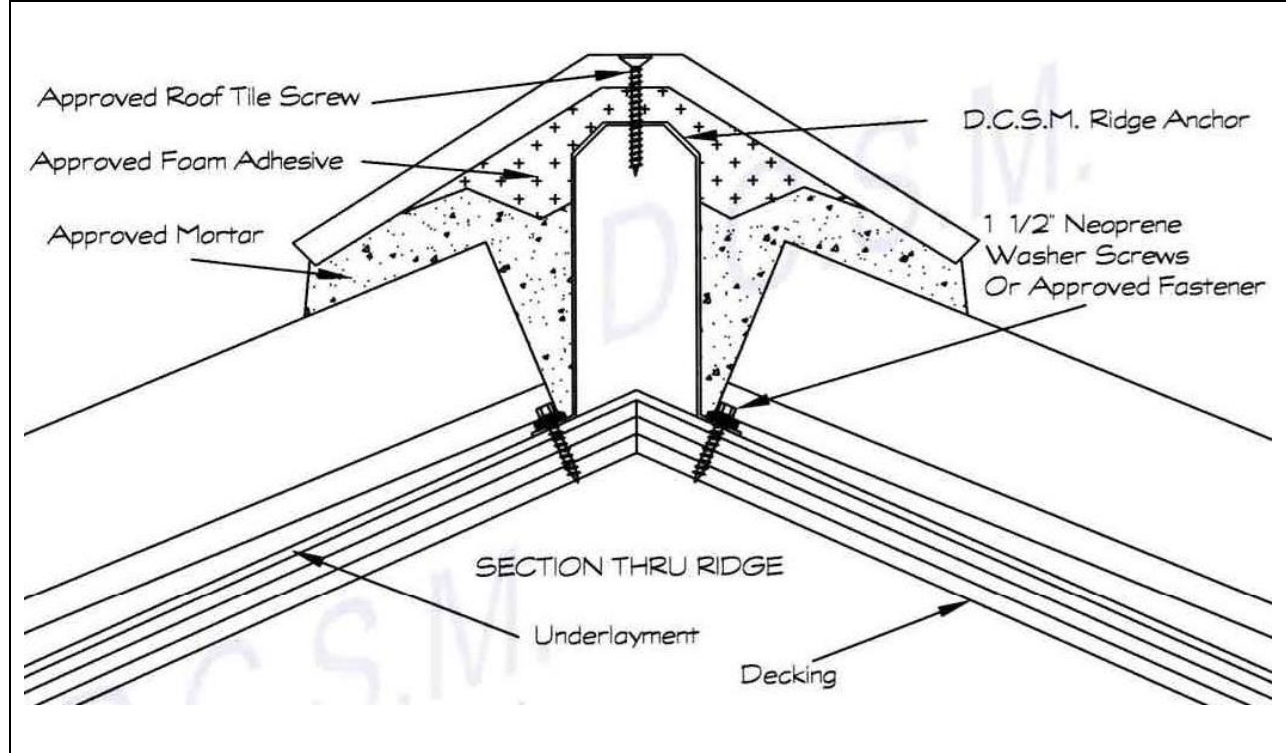
DCSM Ridge Anchor – Detail C	
Roof Deck:	Minimum 15/32-inch 32/16 span rated, 4-ply, plywood sheathing for new and existing roof deck (Deck shall be designed by others in accordance with FBC requirements).
Ridge Anchor:	#10 x 1-1/2 HWH wood screws with sealing washers attached 16-inch o.c. along each mounting flange into the wood deck.
Ridge Tile:	Monier Capri Trim Ridge Tile shall be attached to the Ridge Anchor with one (1) 22g paddy, 2x8-inch strip, of ICP Adhesives Polyset AH-160 starting two inches from the head of the tile and extending along the ridge anchor. The tile fastener, #10 x 2-inch, shall be placed in the factory drilled hole at the head of the tile and driven through the foam paddy into the ridge anchor.
Maximum Overturning Moment:	198 ft-lbf <i>Calculated using 2:1 margin of safety per 1504.9.</i>



DCSM Ridge Anchor – Detail D	
Roof Deck:	Minimum 15/32-inch 32/16 span rated, 4-ply, plywood sheathing for new and existing roof deck (Deck shall be designed by others in accordance with FBC requirements).
Ridge Anchor:	#10 x 1-1/2 HWH wood screws with sealing washers attached 16-inch o.c. along each mounting flange into the wood deck.
Ridge Tile:	Monier Concrete Ridge Tile shall be attached to the Ridge Anchor with one (1) 22g paddy, 2x8-inch strip, of ICP Adhesives Polyset AH-160 starting four inches from the head of the tile and extending along the ridge anchor.
Maximum Overturning Moment:	115 ft-lbf <i>Calculated using 2:1 margin of safety per 1504.9.</i>



DCSM Ridge Anchor – Detail E	
Roof Deck:	Minimum 15/32-inch 32/16 span rated, 4-ply, plywood sheathing for new and existing roof deck (Deck shall be designed by others in accordance with FBC requirements).
Ridge Anchor:	#10 x 1-1/2 HWH wood screws with sealing washers attached 16-inch o.c. along each mounting flange into the wood deck.
Ridge Tile:	Monier Concrete Ridge Tile shall be attached to the Ridge Anchor with one (1) 22g paddy, 2x8-inch strip, of DuPont Tile Bond Roof Tile Adhesive starting two inches from the head of the tile and extending along the ridge anchor. A second 22g paddy, 2x8-inch strip, of DuPont Tile Bond Roof Tile Adhesive shall be placed between the tiles at the headlap. The tile fastener, #10 x 2-inch, shall be placed in the factory drilled hole at the head of the tile and driven through the foam paddy into the ridge anchor.
Maximum Overturning Moment:	133 ft-lbf <i>Calculated using 2:1 margin of safety per 1504.9.</i>



REFERENCES

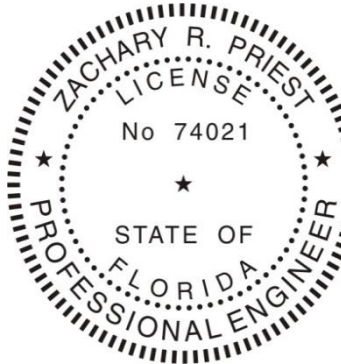
<u>Entity</u>	<u>Report No.</u>	<u>Standard</u>	<u>Year</u>
PRI Construction Materials Technologies (TST5878)	DCSM-004-02-01	SBCCI SSTD 11	1997
PRI Construction Materials Technologies (TST5878)	DCSM-004-02-02	SBCCI SSTD 11	1997
PRI Construction Materials Technologies (TST5878)	DCSM-005-02-01	SBCCI SSTD 11	1997
PRI Construction Materials Technologies (TST5878)	DCSM-007-02-01	SBCCI SSTD 11	1997
PRI Construction Materials Technologies (TST5878)	DCSM-008-02-01	SBCCI SSTD 11	1997

LIMITATIONS

1. This report is not for use in the HVHZ.
2. Fire classification is not within the scope of this evaluation.
3. The design wind loads shall be determined by others in accordance Section 1609.5.3 of the FBC.
4. Installation of the evaluated products shall comply with this report, the FBC and the manufacturer's published application instructions. Where discrepancies exist between these sources, the more restrictive and FBC compliant installation detail shall prevail.
5. All products listed in this report shall be manufactured under a quality assurance program in compliance with Rule 61G20-3.

COMPLIANCE STATEMENT

The products evaluated herein by Zachary R. Priest, P.E. have demonstrated compliance with the Florida Building Code, 8th Edition (2023) as evidenced in the referenced documents submitted by the named manufacturer.



This item has been digitally signed and sealed by Zachary R. Priest, PE, on 9/13/2023.

Printed copies of this document are not considered signed and sealed and the signature must be verified on any electronic copies.

Zachary R. Priest, P.E.
Florida Registration No. 74021
Organization No. ANE9641

CERTIFICATION OF INDEPENDENCE

CREEK Technical Services, LLC does not have, nor will it acquire, a financial interest in any company manufacturing or distributing products under this evaluation.

CREEK Technical Services, LLC is not owned, operated, or controlled by any company manufacturing or distributing products under this evaluation.

Zachary R. Priest, P.E. does not have, nor will acquire, a financial interest in any company manufacturing or distributing products under this evaluation.

Zachary R. Priest, P.E. does not have, nor will acquire, a financial interest in any other entity involved in the approval process of the product.

END OF REPORT