



DEPARTMENT OF REGULATORY AND ECONOMIC RESOURCES (RER)
BOARD AND CODE ADMINISTRATION DIVISION

MIAMI-DADE COUNTY
PRODUCT CONTROL SECTION
11805 SW 26 Street, Room 208
Miami, Florida 33175-2474
T (786) 315-2590 F (786) 315-2599
www.miamidade.gov/economy

NOTICE OF ACCEPTANCE (NOA)

GAF
1 Campus Drive
Parsippany, NJ 07054

SCOPE:

This NOA is being issued under the applicable rules and regulations governing the use of construction materials. The documentation submitted has been reviewed and accepted by Miami-Dade County RER - Product Control Section to be used in Miami Dade County and other areas where allowed by the Authority Having Jurisdiction (AHJ).

This NOA shall not be valid after the expiration date stated below. The Miami-Dade County Product Control Section (In Miami Dade County) and/or the AHJ (in areas other than Miami Dade County) reserve the right to have this product or material tested for quality assurance purposes. If this product or material fails to perform in the accepted manner, the manufacturer will incur the expense of such testing and the AHJ may immediately revoke, modify, or suspend the use of such product or material within their jurisdiction. RER reserves the right to revoke this acceptance, if it is determined by Miami-Dade County Product Control Section that this product or material fails to meet the requirements of the applicable building code.

This product is approved as described herein, and has been designed to comply with the Florida Building Code including the High Velocity Hurricane Zone of the Florida Building Code.

DESCRIPTION: GAF Master Flow® Wind Turbine Galvanized Externally Braced formerly known as GAF Master Flow® Wind Turbine 12" Galvanized - Externally Braced

LABELING: Each unit shall bear a permanent label with the manufacturer's name or logo, city, state and following statement: "Miami-Dade County Product Control Approved", unless otherwise noted herein.

RENEWAL of this NOA shall be considered after a renewal application has been filed and there has been no change in the applicable building code negatively affecting the performance of this product.

TERMINATION of this NOA will occur after the expiration date or if there has been a revision or change in the materials, use, and/or manufacture of the product or process. Misuse of this NOA as an endorsement of any product, for sales, advertising or any other purposes shall automatically terminate this NOA. Failure to comply with any section of this NOA shall be cause for termination and removal of NOA.

ADVERTISEMENT: The NOA number preceded by the words Miami-Dade County, Florida, and followed by the expiration date may be displayed in advertising literature. If any portion of the NOA is displayed, then it shall be done in its entirety.

INSPECTION: A copy of this entire NOA shall be provided to the user by the manufacturer or its distributors and shall be available for inspection at the job site at the request of the Building Official.

This NOA revises and renews NOA No. 20-0130.04 and consists of pages 1 through 5.
The submitted documentation was reviewed by Alex Tigera.



NOA No.: 22-0411.04
Expiration Date: 07/17/27
Approval Date: 06/23/22
Page 1 of 5

ROOFING COMPONENT APPROVAL

Category: Roofing
Sub-Category: Ventilation
Material: Steel
Deck: Wood

TRADE NAMES OF PRODUCTS MANUFACTURED OR LABELED BY APPLICANT:

<u>Product</u>	<u>Dimensions</u>	<u>Test Specification</u>	<u>Product Description</u>
GAF Master Flow® Wind Turbine Galvanized Externally Braced formerly known as GAF Master Flow® Wind Turbine 12" Galvanized - Externally Braced	18" wide at base 20" high 26 gauge minimum thickness	TAS 100(A)	12" diameter opening turbine ventilation system

MANUFACTURING LOCATION

- Burgaw, NC.

EVIDENCE SUBMITTED

<u>Test Agency</u>	<u>Test Identifier</u>	<u>Description</u>	<u>Date</u>
PRI Asphalt Technologies, Inc.	GAF-738-02-01	TAS 100(A)	12/01/16



APPROVED ASSEMBLY:

Tradename: GAF Master Flow® Wind Turbine Galvanized Externally Braced formerly known as GAF Master Flow® Wind Turbine 12" Galvanized - Externally Braced

System Type: Mechanical attachment of turbine vent over asphalt shingle roof systems only.

Cutout: At chosen location and centered between two roof rafters, cut a 12" diameter hole through shingles and sheathing boards. Make a mark on the shingles 5½" up roof from the top of the cutout, and 5½" to the right and left of the cutout edges.

Installation: Starting with a shingle course down roof edge closest to horizontal center line of the 12" cutout, roll all shingles in the area between the three marks carefully upward, and completely remove all shingle nails which are exposed and within the area enclosed by the marks.

Loosen clamp screw on vent system base. Place mounting base unit flat on the shingles on its flashing and, standing with one foot on each side of the flashing, turn the upper adjustable stack section to a vertical position, rotating flashing section as required. (Note: This adjustment must be made before anchoring base flashing to roof.) Now tighten clamp screw to lock in position.

Coat underside of base flashing with roofing cement, and, in its pitch-adjusted position, carefully slide upper half of flashing up roof beneath shingles previously rolled back, until base is centered over 12" cutout. Again, rolling back the shingles where necessary, and rechecking pitch setting for vertical alignment, secure the base unit to roof using 12ga. roofing nails approximately 1" from the edge at all corners and at the center of each edge. Next place roofing nails every 45° approximately 1" out from the stack. Use a minimum of (24) twenty-four nails (See Fastening Pattern below). Nails shall be of sufficient length to penetrate through roof sheathing a minimum of ½". Apply roofing cement to underside of shingles overlapping flashing, press them down onto the flashing.

Set turbine firmly on crimped base collar, anchor with (3) three corrosion resistant #10 x ½" sheet metal screws through holes in turbine base ring.

Note: Apply roofing cement to all exposed flashing edges and gutter sealing caulking to the junction of stack and flashing, the bead joining the upper and lower stack sections and the vertical seam in the upper and lower stack sections and all exposed nail and screw heads.

Net Free Area: Refer to manufacturers published literature.

Minimum Slope: 2:12

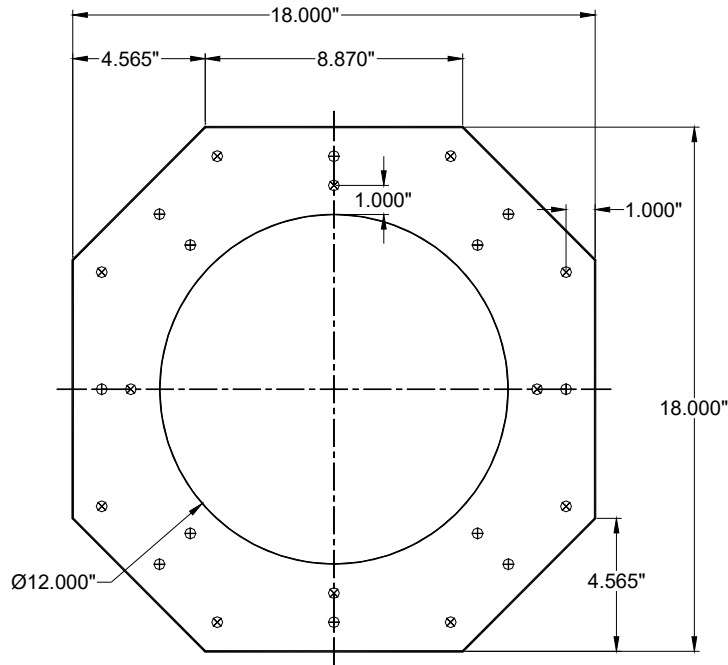


LIMITATIONS:

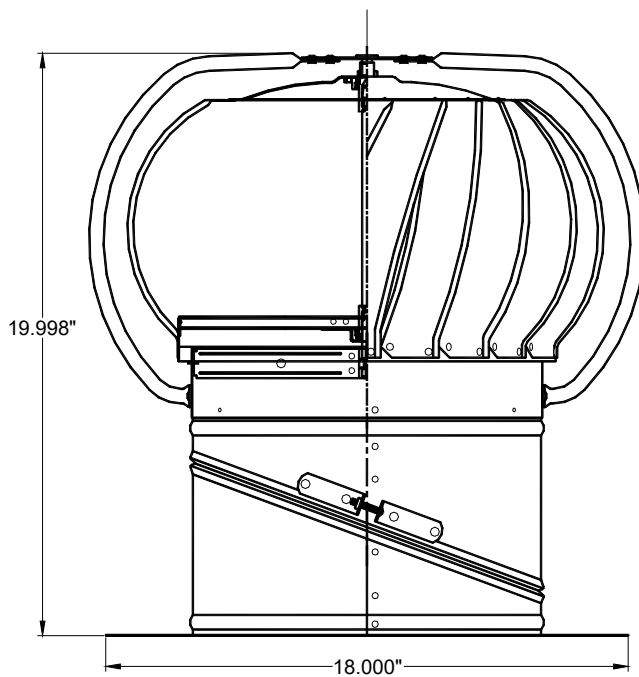
1. Refer to applicable Building Codes for required ventilation.
2. GAF Master Flow® Wind Turbine Galvanized Externally Braced formerly known as GAF Master Flow® Wind Turbine 12" Galvanized - Externally Braced shall comply with applicable Building Code.
3. This acceptance is for installations over asphalt shingle roof systems only.
4. GAF Master Flow® Wind Turbine Galvanized Externally Braced formerly known as GAF Master Flow® Wind Turbine 12" Galvanized - Externally Braced shall not be installed on roof mean heights greater than 33 feet.
5. GAF Master Flow® Wind Turbine Galvanized Externally Braced formerly known as GAF Master Flow® Wind Turbine 12" Galvanized - Externally Braced shall comply with 1517.6 of the Florida Building Code (FBC).
6. All products listed herein shall have a quality assurance audit in accordance with the Florida Building Code and Rule 61G20-3 of the Florida Administrative Code.
7. All approved products listed herein shall be labeled and shall bear the imprint or identifiable marking of the manufacturer's name or logo and following statement: "Miami-Dade County Product Control Approved" or the Miami-Dade County Product Control Seal as shown below.



DETAIL DRAWINGS



Turbine Base



GAF Master Flow® Wind Turbine Galvanized Externally Braced formerly known as GAF Master Flow® Wind Turbine 12" Galvanized - Externally Braced

END OF THIS ACCEPTANCE



NOA No.: 22-0411.04
Expiration Date: 07/17/27
Approval Date: 06/23/22
Page 5 of 5