



EVALUATION REPORT

FLORIDA BUILDING CODE 7TH EDITION (2020)

Manufacturer: IKO INDUSTRIES, LTD
 40 Hansen Rd S
 Brampton, ON L6W 3H4
 Canada
 (905) 457-2880

Issued August 11, 2020

Manufacturing Plants: South Gate, CA

Quality Assurance: PRI Construction Materials Technologies (QUA9110)

SCOPE

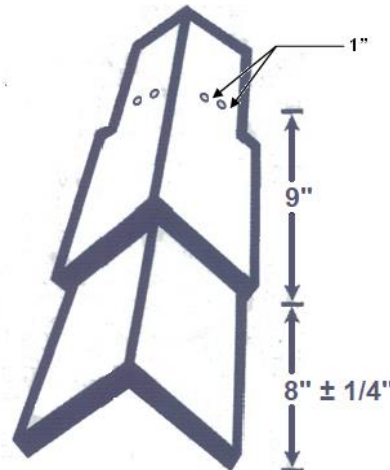
Category: Roofing
Subcategory: Roofing Accessories that are an Integral Part of the Roofing System
Code Edition: Florida Building Code, 7th Edition (2020) including High-Velocity Hurricane Zones (HVHZ)
Code Sections: 1507.2.5
Properties: Physical properties

PRODUCT DESCRIPTION

IKO Ultra HP IR ASTM D 3462 equivalent high profile, SBS modified, laminated ridge shingle with self-seal adhesive.

INSTALLATION

Deck (HVHZ):	In accordance with FBC requirements; Solidly sheathed min. 19/32 in. plywood or wood plank for new construction; Min. 15/32 in. plywood existing construction.
Deck (Non-HVHZ):	Solidly sheathed in accordance with FBC requirements.
Underlayment:	In accordance with FBC requirements.
Min. slope:	2:12 and in accordance with FBC requirements.
Installation:	Installed with 8-inch ±1/4-inch exposure and in accordance with the FBC. Shingles shall be attached using four (4) min. 1-1/4" ring shank roofing nails per shingle, 9-inches from the front end of shingle with two nails on either side of the ridge, 1-inch apart and starting 1-inch from the side of the shingle.



REFERENCES

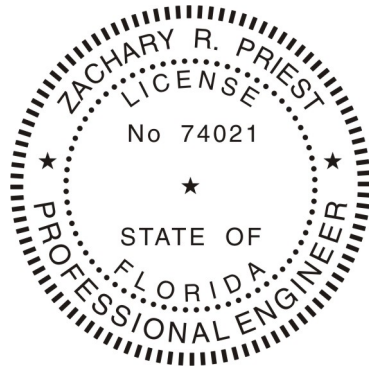
<u>Entity</u>	<u>Report No.</u>	<u>Standard</u>	<u>Year</u>
PRI Construction Materials Technologies (TST5878)	IKO-218-02-01	TAS 100	1995
PRI Construction Materials Technologies (TST5878)	476A0008	ASTM D 3462	2010A
UL LLC (TST9628)	F00342884	ASTM D 3161	2016
UL LLC (TST9628)	TFWZ.R21860	ASTM D 3161	2016

LIMITATIONS

- 1) Fire and Wind Classification are not within the scope of this evaluation.
- 2) The roof deck and the roof deck attachment shall be designed by others to meet the minimum design loads established for components and cladding and in accordance with FBC requirements.
- 3) Deck substrates shall be clean, dry, and free from any irregularities and debris. All fasteners in the deck shall be checked for protrusion and corrected prior to underlayment application.
- 4) Installation of the evaluated products shall comply with this report, the FBC, and the manufacturer's published application instructions. Where discrepancies exist between these sources, the more restrictive and code compliant detail shall prevail.
- 5) All products listed in this report shall be manufactured under a quality assurance program in compliance with Rule 61G20-3.

COMPLIANCE STATEMENT

The products evaluated herein by Zachary R. Priest, P.E. have demonstrated compliance with the Florida Building Code, 7th Edition (2020) including High-Velocity Hurricane Zones (HVHZ) as evidenced in the referenced documents submitted by the named manufacturer.



Zachary R. Priest, P.E.
 Florida Registration No. 74021
 Organization No. ANE9641

CERTIFICATION OF INDEPENDENCE

CREEK Technical Services, LLC does not have, nor will it acquire, a financial interest in any company manufacturing or distributing products under this evaluation.

CREEK Technical Services, LLC is not owned, operated, or controlled by any company manufacturing or distributing products under this evaluation.

Zachary R. Priest, P.E. does not have, nor will acquire, a financial interest in any company manufacturing or distributing products under this evaluation.

Zachary R. Priest, P.E. does not have, nor will acquire, a financial interest in any other entity involved in the approval process of the product.

END OF REPORT