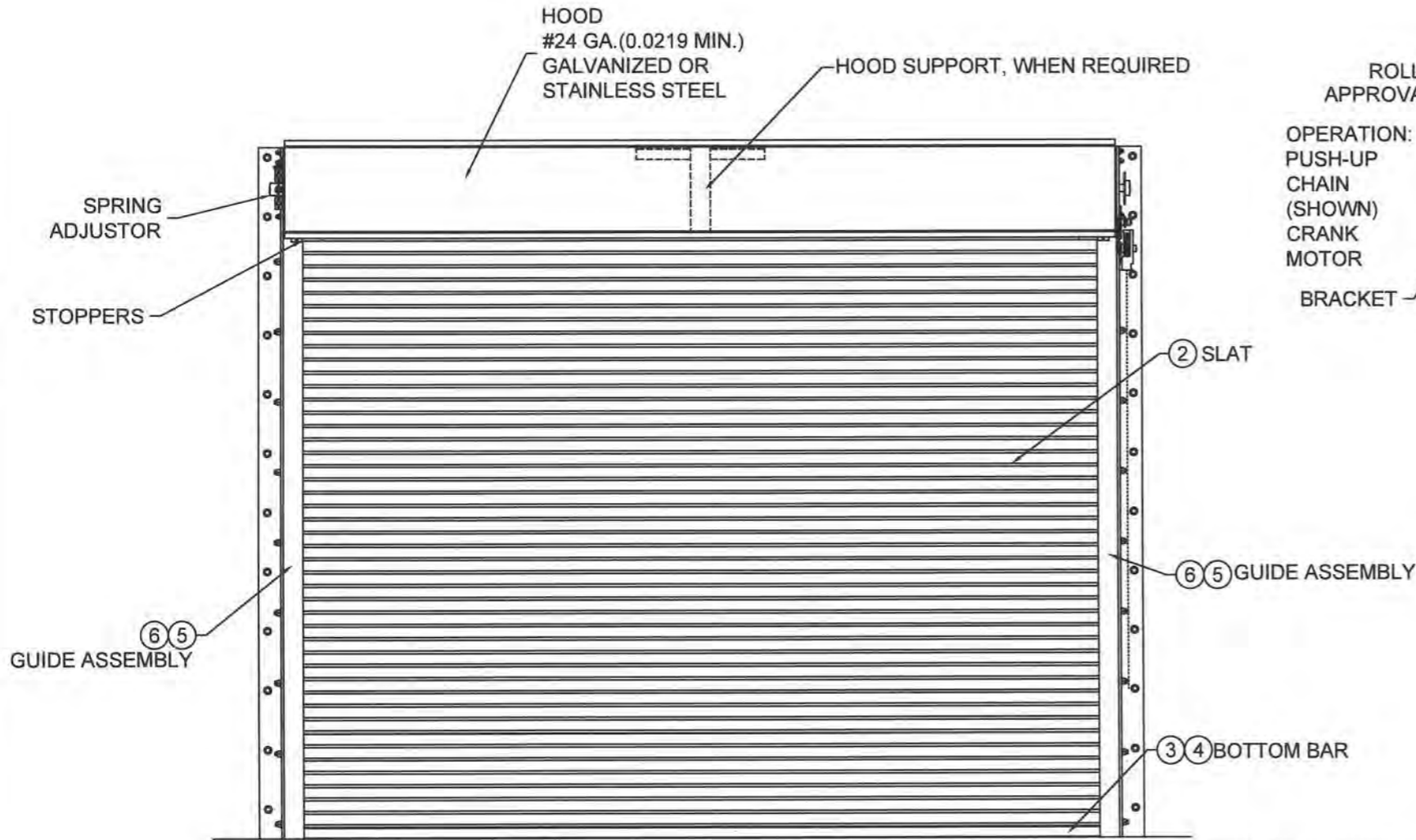
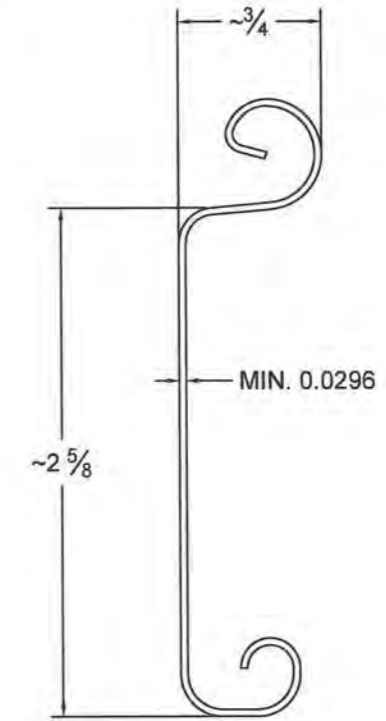
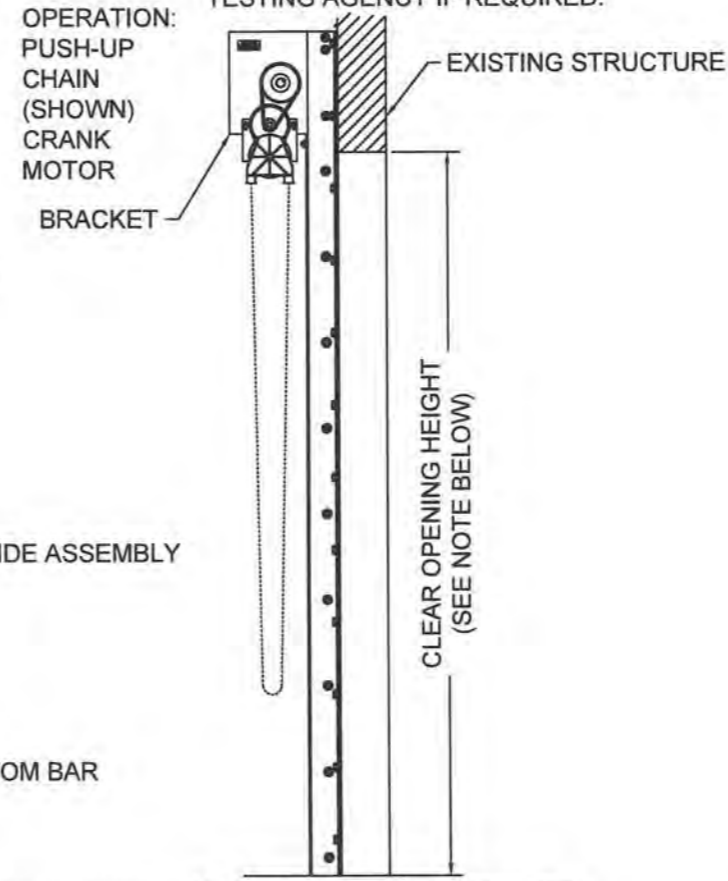


L'TR	REVISION	DATE	BY	E.C.O.
*	ORIGINAL ISSUE	10/15/14	TJE	1615
A	REFORMATTED TABLES; HOOD SUPPORT UPDATE	02/14/20	MAN	2027



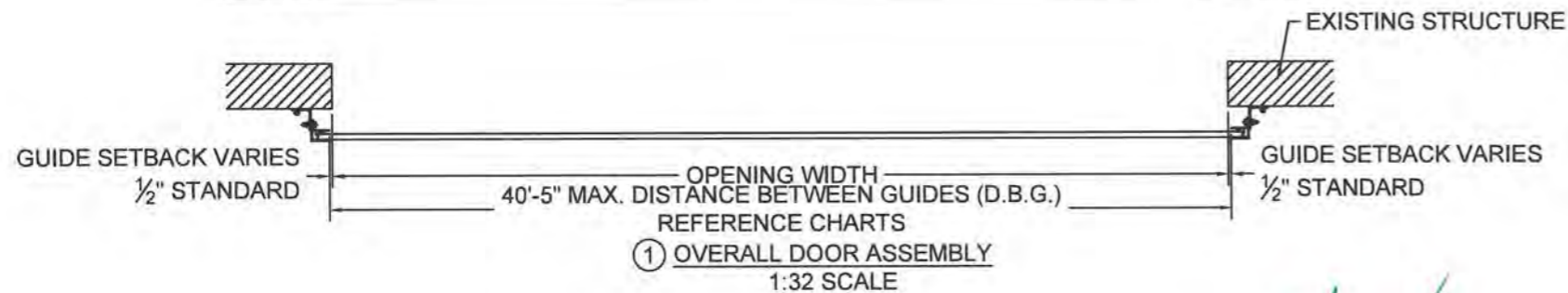
ROLL-UP MECHANISM NOT INCLUDED IN THIS APPROVAL. MUST BE CERTIFIED BY AN INDEPENDENT TESTING AGENCY IF REQUIRED.



② SLAT DETAIL  
TYPICAL SECTION

ASTM A653 HSLAS TYPE B GRADE 40 G40 OR  
ASTM A653 HSLAS TYPE A GRADE 40 G40 OR  
ASTM A653 STRUCTURAL STEEL GRADE 40 G40  
OR TYPE 304 STAINLESS STEEL (MIN. YIELD 40,000 psi)  
OR TYPE 316 STAINLESS STEEL (MIN. YIELD 40,000 psi)  
OR TYPE 430 STAINLESS STEEL (MIN. YIELD 40,000 psi)  
OR TYPE 201 STAINLESS STEEL (MIN. YIELD 40,000 psi)  
FULL SCALE

NOTE: WIND LOADS SPECIFIED IN TABLES ARE ACCEPTABLE FOR ANY C.O.H.. FOR GREATER THAN 30 FT, C.O.H., MOUNTING CONDITIONS SHALL BE DETERMINED ON A SITE SPECIFIC BASIS.

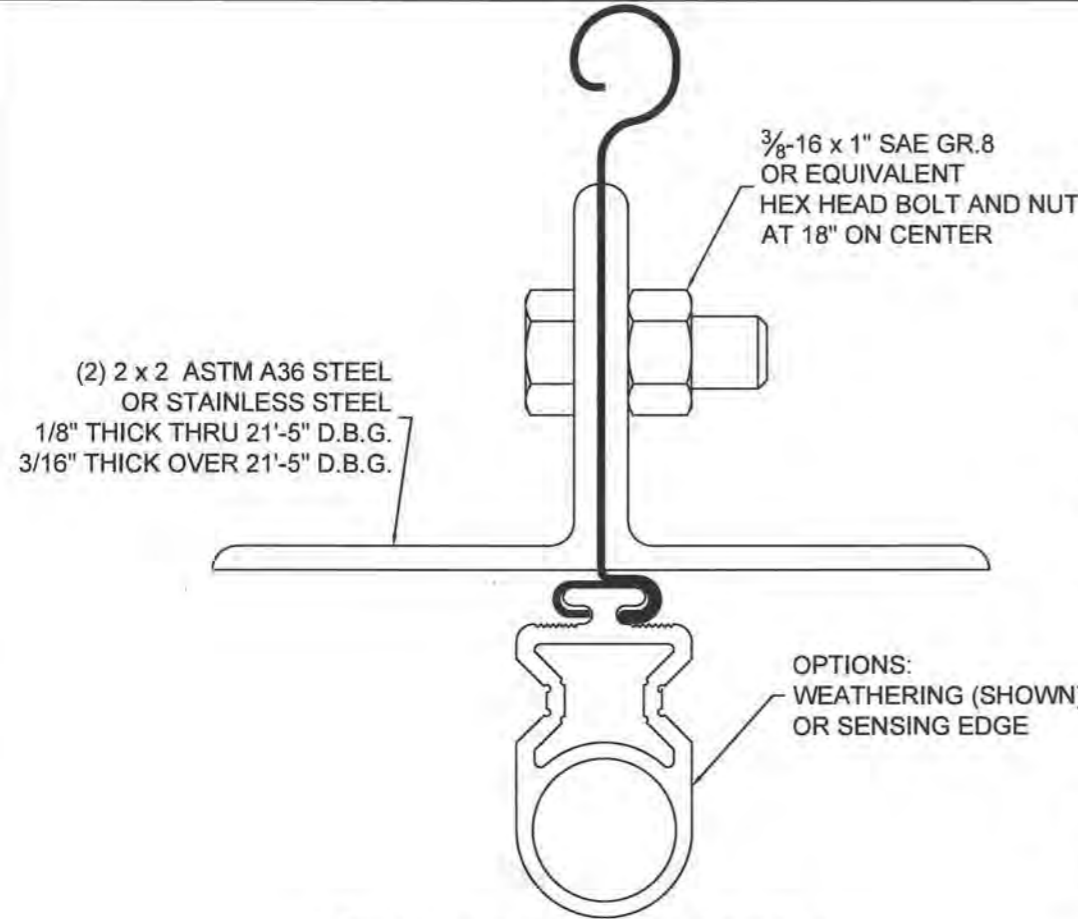


	24 ELMWOOD AVE 1901 S. LITCHFIELD RD MOUNTAINTOP, PA GOODYEAR, AZ	Unless otherwise specified, dimensions are in inches & tolerances are:  0.000 = +/- 0.031 FRACTIONAL = +/- 1/32 ANGLES = +/- 1/2 DEG			
	P: 800.390.8590 F: 866.448.6798 E: ADS@COOKSONDOOR.COM	TITLE: WIND LOAD CONFIGURATION NON-INSULATED ROLLING STEEL DOOR CP0020 SLAT IMPACT RATED	DRAWN BY: <b>TJE</b>	SIZE: <b>B</b>	SCALE: <b>AS NOTED</b>
DWG NO: <b>ES-16-61-TCCI</b>					

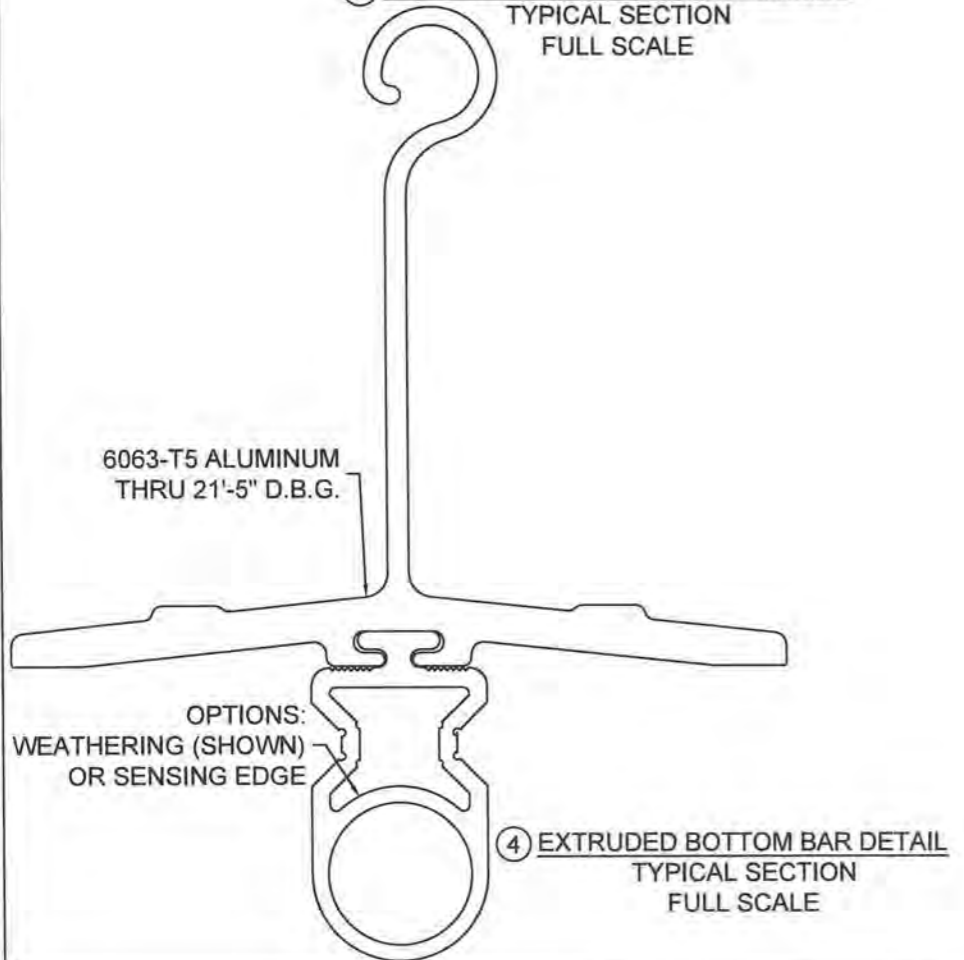
L'TR	REVISION	DATE	BY	E.C.O.
*	ORIGINAL ISSUE	10/15/14	TJE	1615
A	REFORMATTED TABLES; HOOD SUPPORT UPDATE	02/14/20	MAN	2027

**GENERAL NOTES:**

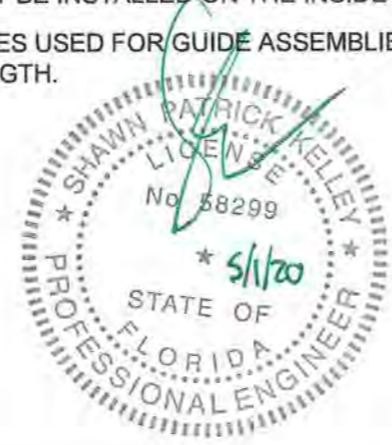
1. THESE PRODUCT EVALUATION DOCUMENTS REPRESENT A ROLL-UP DOOR ASSEMBLY DESIGNED AND TESTED IN ACCORDANCE WITH THE STANDARD BUILDING CODE, THE INTERNATIONAL BUILDING CODE, AND THE FLORIDA BUILDING CODE.
2. THIS ROLL-UP DOOR HAS BEEN TESTED FOR UNIFORM STATIC PRESSURE, IMPACT AND FATIGUE RESISTANCE IN ACCORDANCE WITH THE FBC TEST PROTOCOLS FOR HIGH VELOCITY HURRICANE ZONES TAS 201, TAS 202, AND TAS 203.
3. A 33% INCREASE IN ALLOWABLE STRESS HAS NOT BEEN USED IN THE DESIGN OF THIS PRODUCT.
4. DETERMINE THE POSITIVE AND NEGATIVE DESIGN LOADS TO USE WHEN REFERENCING THESE DOCUMENTS IN ACCORDANCE WITH THE GOVERNING CODE AND GOVERNING WIND VELOCITY.
5. THESE PRODUCT EVALUATION DOCUMENTS ARE PREPARED BY THE PRODUCT ENGINEER AND ARE GENERIC. THEY DO NOT INCLUDE INFORMATION PREPARED FOR A SPECIFIC SITE.
6. THESE PRODUCT EVALUATION DOCUMENTS ARE NOT VALID FOR PERMIT WITHOUT ORIGINAL SIGNATURE, DATE AND EMBOSSED SEAL ON EACH PERMIT COPY, WHETHER OR NOT A MASTER APPROVAL DOCUMENT IS ON FILE WITH A MUNICIPALITY OR OTHER GOVERNING AGENCY.
7. THESE PRODUCT EVALUATION DOCUMENTS ARE SUITABLE TO BE APPLIED BY THE CONTRACTOR PROVIDED THE CONTRACTOR DOES NOT DEVIATE FROM THE CONDITIONS DETAILED HEREIN AND THE CONTRACTOR VERIFIES THE EXISTING STRUCTURE IS CAPABLE OF SUPPORTING THE SUPERIMPOSED LOADS  $V_x$  &  $V_y$  ON THE JAMBS OF THE DOOR.
8. ALTERATIONS OR ADDITIONS TO THIS DOCUMENT ARE NOT PERMITTED.
9. WHEN THE SITE CONDITIONS DEVIATE FROM THESE PRODUCT EVALUATION DOCUMENTS, SITE SPECIFIC DOCUMENTS SHALL BE PREPARED BY A DULY LICENSED AND REGISTERED ENGINEER OR ARCHITECT.
10. IF THE DEVIATING SITE SPECIFIC DOCUMENTS ARE PREPARED BY A DELEGATED REGISTERED ENGINEER OR ARCHITECT, SAID DOCUMENTS SHALL BEAR THE DATE, SIGNATURE, AND EMBOSSED SEAL OF THE DELEGATED ENGINEER OR ARCHITECT AND SHALL BE SUBMITTED TO THE PROJECT ENGINEER FOR REVIEW.
11. ALL HARDWARE SHALL BE GALVANIZED STEEL, PLATED STEEL OR STAINLESS STEEL
12. ALL WINDLOCK RIVETS SHALL BE 1/4" STEEL RIVETS IFI GRADE 30 WITH A MINIMUM TENSILE STRENGTH OF 1,850 Lbs., AND SHEAR STRENGTH OF 2,400 Lbs., U.O.N.. RIVETS TO BE INSTALLED IN ALL WINDLOCK HOLES.
13. ENDLOCKS/WINDLOCKS SHALL BE CAST MALLEABLE IRON TYPE 32510 PER ASTM A47 OR CAST DUCTILE IRON PER ASTM A536 GRADE 65-45-12.
14. ALL WELDING SHALL BE PERFORMED BY QUALIFIED WELDERS IN ACCORDANCE WITH A.W.S. SPECIFICATIONS, LATEST EDITION. ALL WELDING ELECTRODES SHALL CONFORM TO A.W.S. A5.1 GRADE E-70. MINIMUM WELDING PROCESSES SHALL BE ARC WELDING A.W.S. E7014 OR MIG WELDING A.W.S. ER70S-6.
15. ANCHOR NOTES:  
 A. EMBEDMENT LENGTH DOES NOT INCLUDE STUCCO FINISH.  
 B. ANCHORS SHALL BE INSTALLED IN ACCORDANCE WITH MANUFACTURERS SPECIFICATIONS.  
 C. ANCHOR CAPACITY FOR THIS ROLL-UP DOOR IS BASED ON MIN. 3,000 P.S.I. CONCRETE EXCEPT WHERE NOTED..  
 D. FOR MINIMUM EMBEDMENT AND MINIMUM EDGE DISTANCE, REFER TO TABLES.
16. DOOR MAY BE INSTALLED ON THE INSIDE OR OUTSIDE OF AN EXTERIOR WALL
17. ALL SHAPES USED FOR GUIDE ASSEMBLIES MUST CONFORM TO ATSM A36 FOR STEEL OR ASTM A276 FOR TYPES 304 OR 316 WITH A MINIMUM 36 KSI YIELD STRENGTH.



③ DOUBLE ANGLE BOTTOM BAR DETAIL  
TYPICAL SECTION  
FULL SCALE

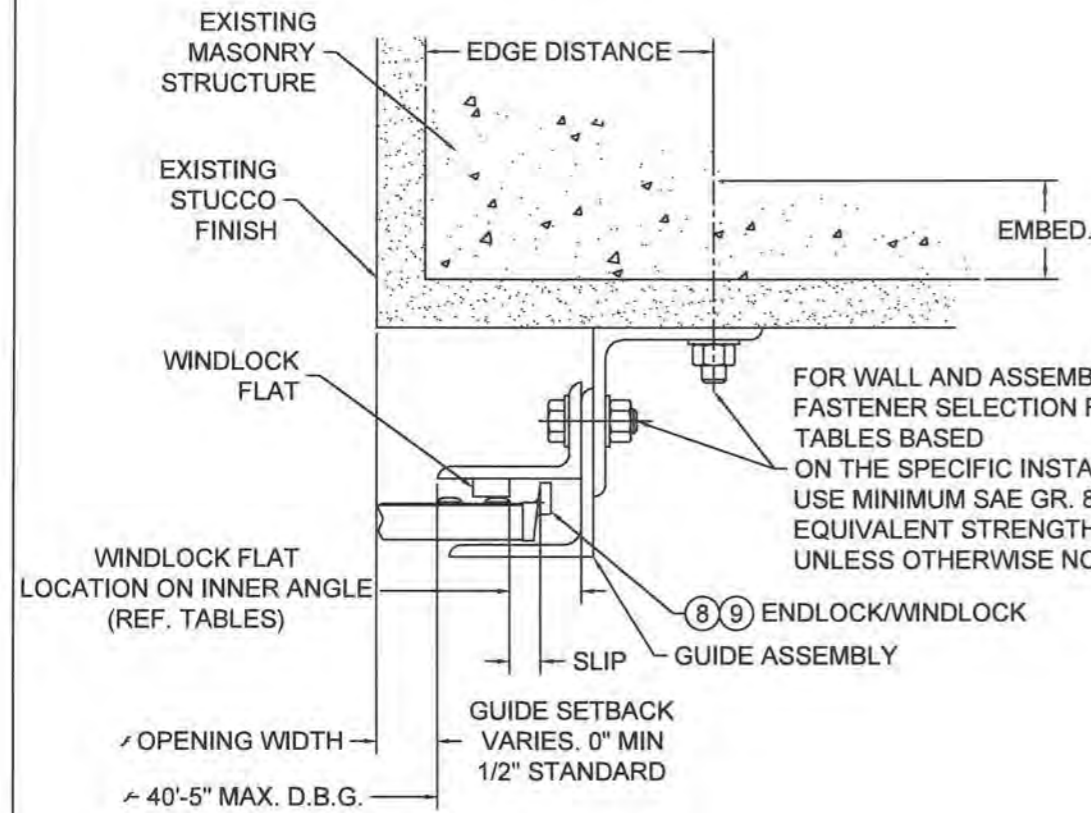


④ EXTRUDED BOTTOM BAR DETAIL  
TYPICAL SECTION  
FULL SCALE



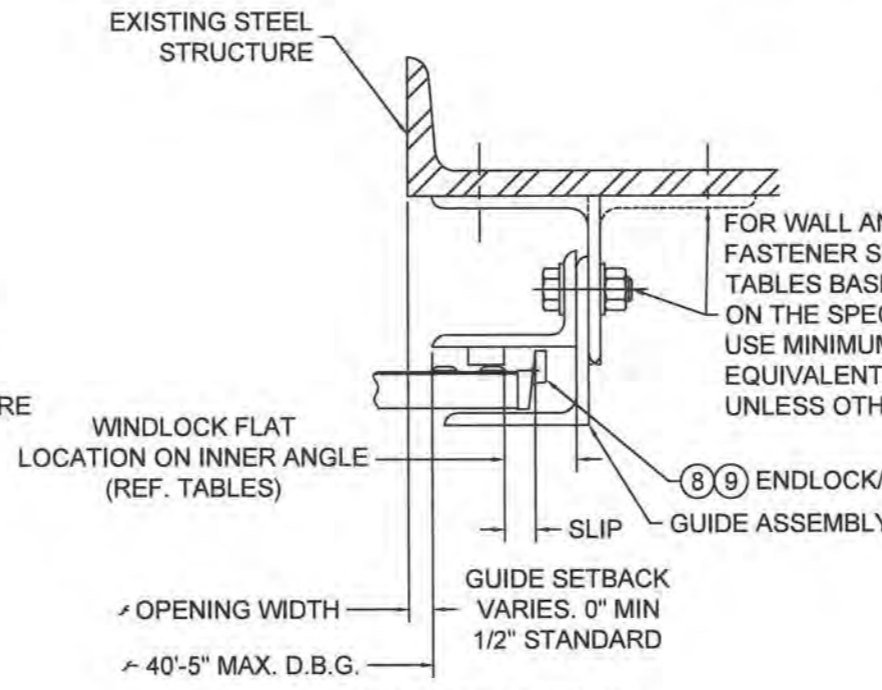
	24 ELMWOOD AVE 1901 S. LITCHFIELD RD MOUNTAINTOP, PA GOODYEAR, AZ	Unless otherwise specified, dimensions are in inches & tolerances are:  0.000 = +/- 0.031 FRACTIONAL = +/- 1/32 ANGLES = +/- 1/2 DEG
	P: 800.390.8590 F: 866.448.6798 E: ADS@COOKSONDOOR.COM	TITLE: WIND LOAD CONFIGURATION NON-INSULATED ROLLING STEEL DOOR CP0020 SLAT IMPACT RATED

L'TR	REVISION	DATE	BY	E.C.O.
*	ORIGINAL ISSUE	10/15/14	TJE	1615
A	REFORMATTED TABLES; HOOD SUPPORT UPDATE	02/14/20	MAN	2027

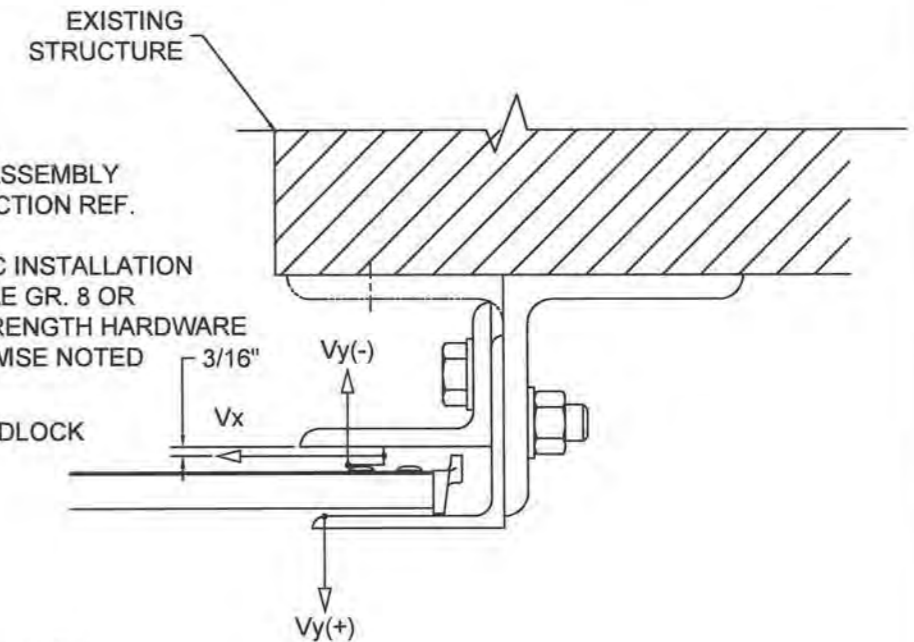


NOTE:  
THROUGH BOLTING TO FILLED BLOCK REQUIRES THE USE OF 1/4"  
THICK STEEL OR STAINLESS STEEL CRUSH PLATE

⑤ GUIDE ASSEMBLY  
CONCRETE OR FILLED BLOCK  
STRUCTURE  
(Z-GUIDE)



⑥ GUIDE ASSEMBLY  
STEEL STRUCTURE  
(Z-GUIDE OR E-GUIDE)



NOTE:

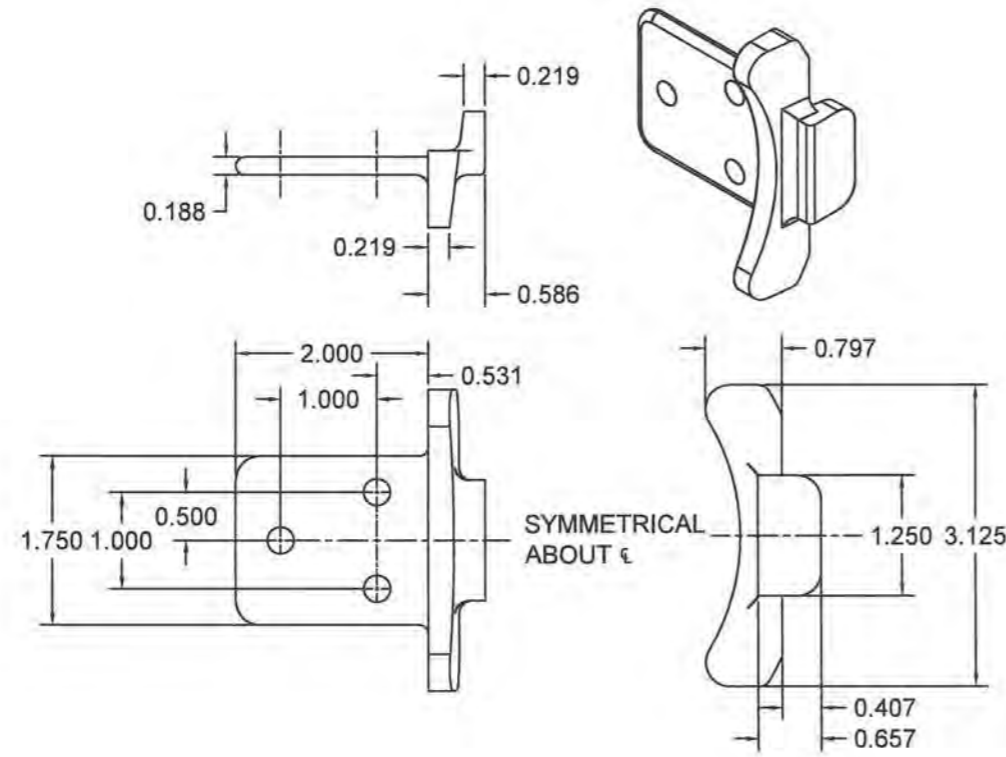
1.  $V_x$  &  $V_y$  ARE HORIZ. AND VERT. COMPONENTS OF THE REACTION, RESPECTIVELY, RESULTING FROM WIND LOADS ON THE ROLL-UP DOOR. THE EXISTING STRUCTURE SHALL BE CAPABLE OF RESISTING  $V_x$  &  $V_y$  FORCES SHOWN AND THE CORRESPONDING REACTIONS DUE TO THE ECCENTRICITIES OF THE FORCES.

⑦ SUPERIMPOSED LOAD DIAGRAM  
SCALE: 3" = 1'-0"

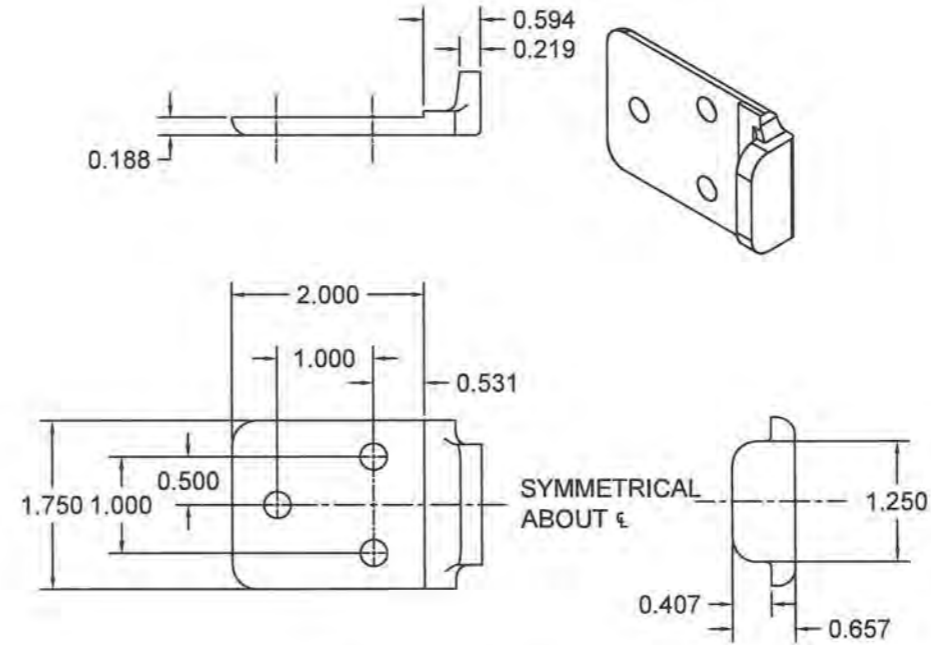


	24 ELMWOOD AVE 1901 S. LITCHFIELD RD MOUNTAINTOP, PA GOODYEAR, AZ	Unless otherwise specified, dimensions are in inches & tolerances are:  0.000 = +/- 0.031 FRACTIONAL = +/- 1/32 ANGLES = +/- 1/2 DEG
	P: 800.390.8590 F: 866.448.6798 E: ADS@COOKSONDOOR.COM	DRAWN BY: TJE SIZE: B SCALE: AS NOTED SHEET: 3/35
TITLE: WIND LOAD CONFIGURATION NON-INSULATED ROLLING STEEL DOOR CP0020 SLAT IMPACT RATED		DWG NO: ES-16-61-TCCI

L'TR	REVISION	DATE	BY	E.C.O.
*	ORIGINAL ISSUE	10/15/14	TJE	1615
A	REFORMATTED TABLES; HOOD SUPPORT UPDATE	02/14/20	MAN	2027



⑧ ENDLOCK / WINDLOCK DETAIL, CP1152  
 CAST MALLEABLE IRON ASTM A47, GRADE 32510, OR  
 DUCTILE IRON PER ASTM A536 GRADE 65-45-12, GALVANIZED IN ACCORDANCE WITH  
 ASTM A123, GRADE 85 ZINC-COATING  
 1/2 SCALE

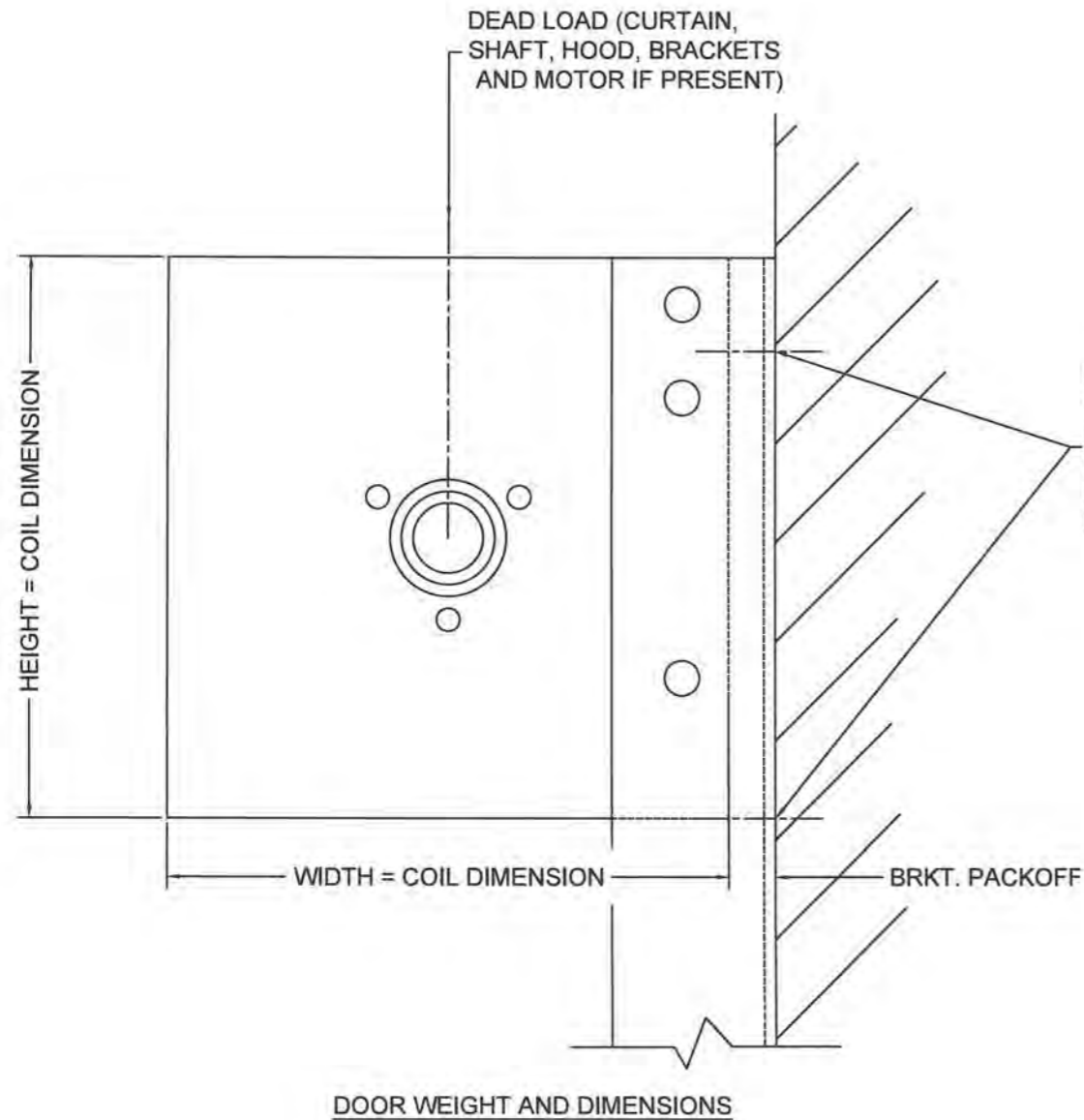


⑨ WINDLOCK DETAIL, CP1153  
 CAST MALLEABLE IRON ASTM A47, GRADE 32510, OR  
 DUCTILE IRON PER ASTM A536 GRADE 65-45-12, GALVANIZED IN  
 ACCORDANCE WITH ASTM A123, GRADE 85 ZINC-COATING  
 1/2 SCALE

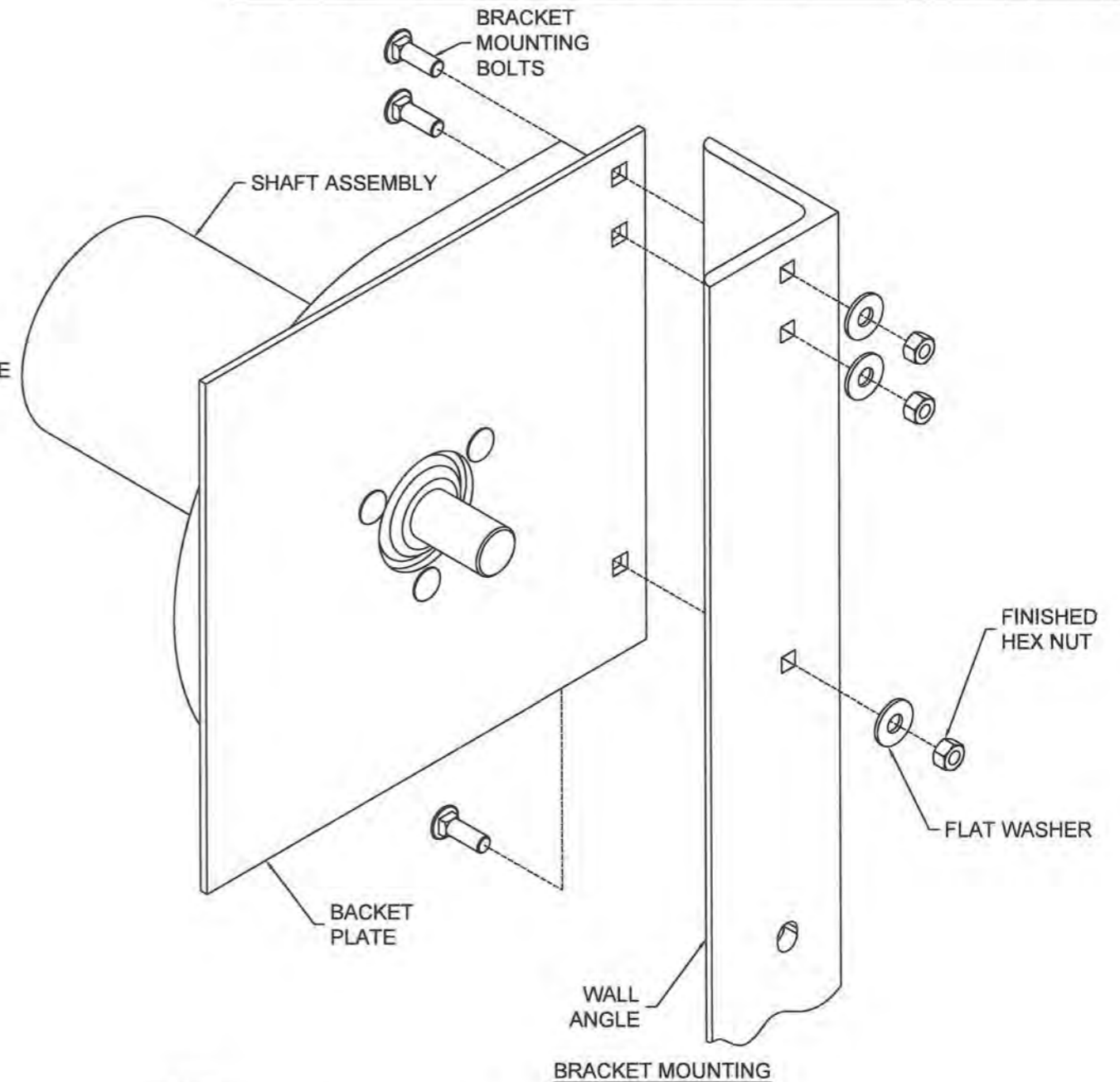


	24 ELMWOOD AVE 1901 S. LITCHFIELD RD MOUNTAINTOP, PA GOODYEAR, AZ		Unless otherwise specified, dimensions are in inches & tolerances are:			
	P: 800.390.8590 F: 866.448.6798 E: ADS@COOKSONDOOR.COM		0.000 = +/- 0.031 FRACTIONAL = +/- 1/32 ANGLES = +/- 1/2 DEG			
TITLE: WIND LOAD CONFIGURATION NON-INSULATED ROLLING STEEL DOOR CP0020 SLAT IMPACT RATED			DRAWN BY: <b>TJE</b>	SIZE: <b>B</b>	SCALE: <b>AS NOTED</b>	SHEET: <b>4/35</b>
DWG NO: <b>ES-16-61-TCCI</b>						

L'TR	REVISION	DATE	BY	E.C.O.
*	ORIGINAL ISSUE	10/15/14	TJE	1615
A	REFORMATTED TABLES; HOOD SUPPORT UPDATE	02/14/20	MAN	2027



FOR "WALL ANGLE" TO WALL CONNECTION, REF. TABLES BASED ON THE SPECIFIC INSTALLATION. USE AT LEAST ONE FASTENER OR WELD AT THE INDICATED LOCATIONS.



NOTE:

1. STANDARD BRACKET MOUNTING DETAIL IS DEPICTED, OTHER MOUNTINGS ARE AVAILABLE

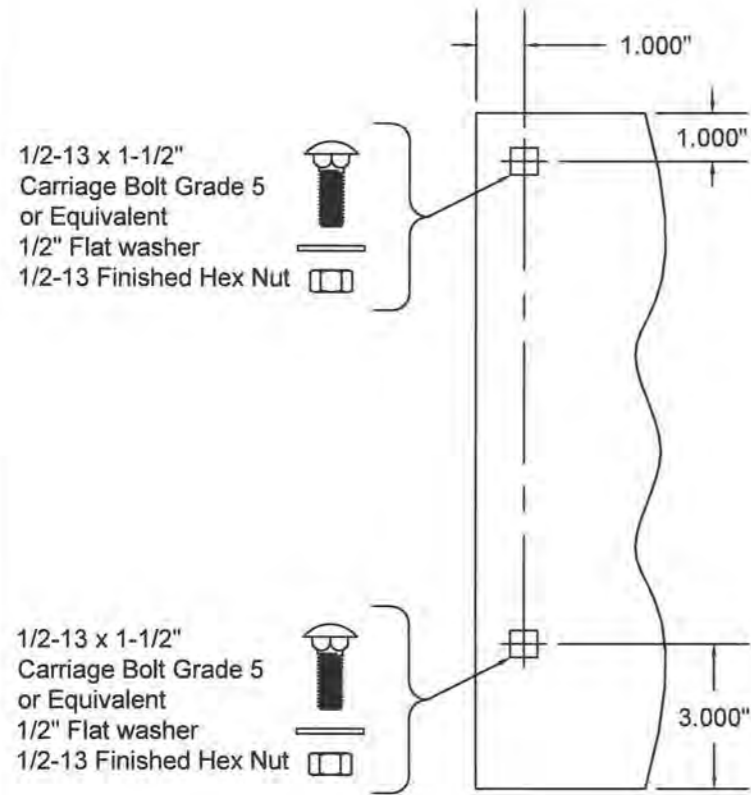
NOTE:

1. WHEN MOTOR IS PROVIDED, HEIGHT OR WIDTH DIMENSION MAY INCREASE UP TO 2-1/2" BASED ON MOTOR LOCATION. WHEN AN 8" DIAMETER OR LARGER SHAFT ASSEMBLY IS PROVIDED, HEIGHT DIMENSION INCREASES BY 2".

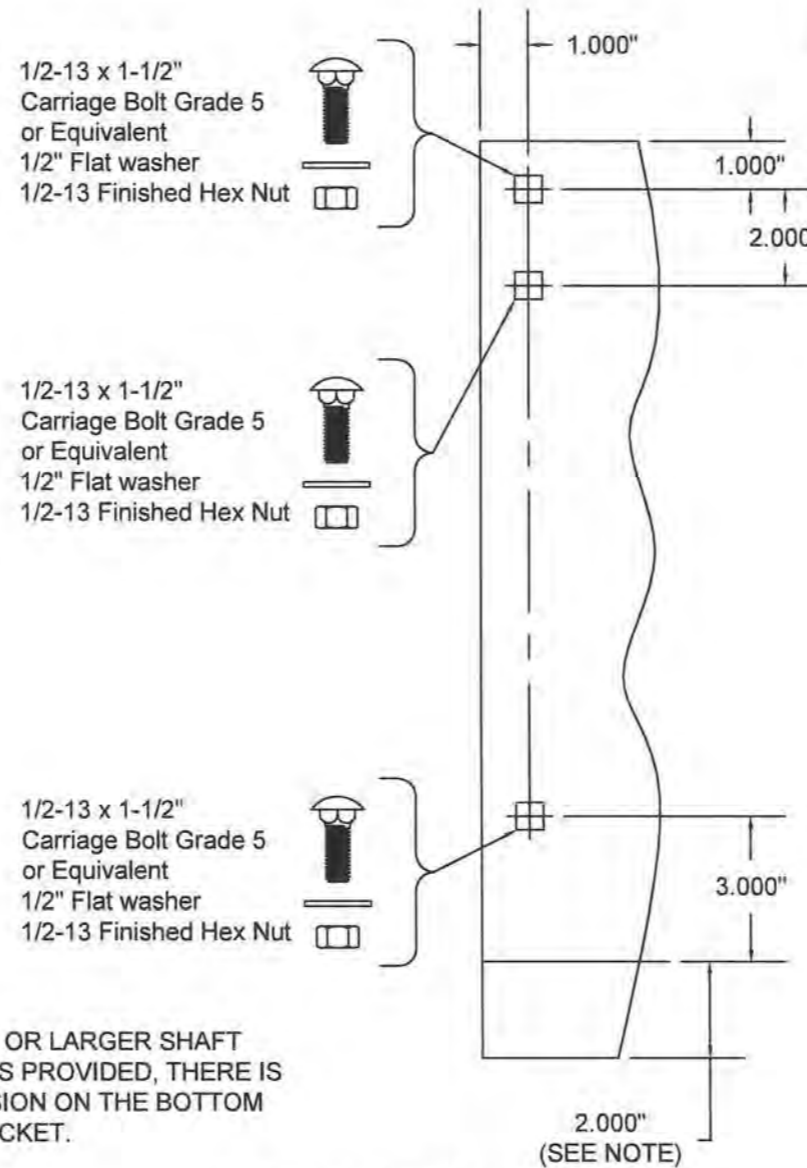


	24 ELMWOOD AVE 1901 S. LITCHFIELD RD MOUNTAINTOP, PA GOODYEAR, AZ	Unless otherwise specified, dimensions are in inches & tolerances are:  0.000 = +/- 0.031 FRACTIONAL = +/- 1/32 ANGLES = +/- 1/2 DEG		
	P: 800.390.8590 F: 866.448.6798 E: ADS@COOKSONDOOR.COM			
TITLE: WIND LOAD CONFIGURATION NON-INSULATED ROLLING STEEL DOOR CP0020 SLAT IMPACT RATED	DRAWN BY: <b>TJE</b>	SIZE: <b>B</b>	SCALE: AS NOTED	SHEET: <b>5/35</b>
DWG NO: <b>ES-16-61-TCCI</b>				

L'TR	REVISION	DATE	BY	E.C.O.
*	ORIGINAL ISSUE	10/15/14	TJE	1615
A	REFORMATTED TABLES; HOOD SUPPORT UPDATE	02/14/20	MAN	2027

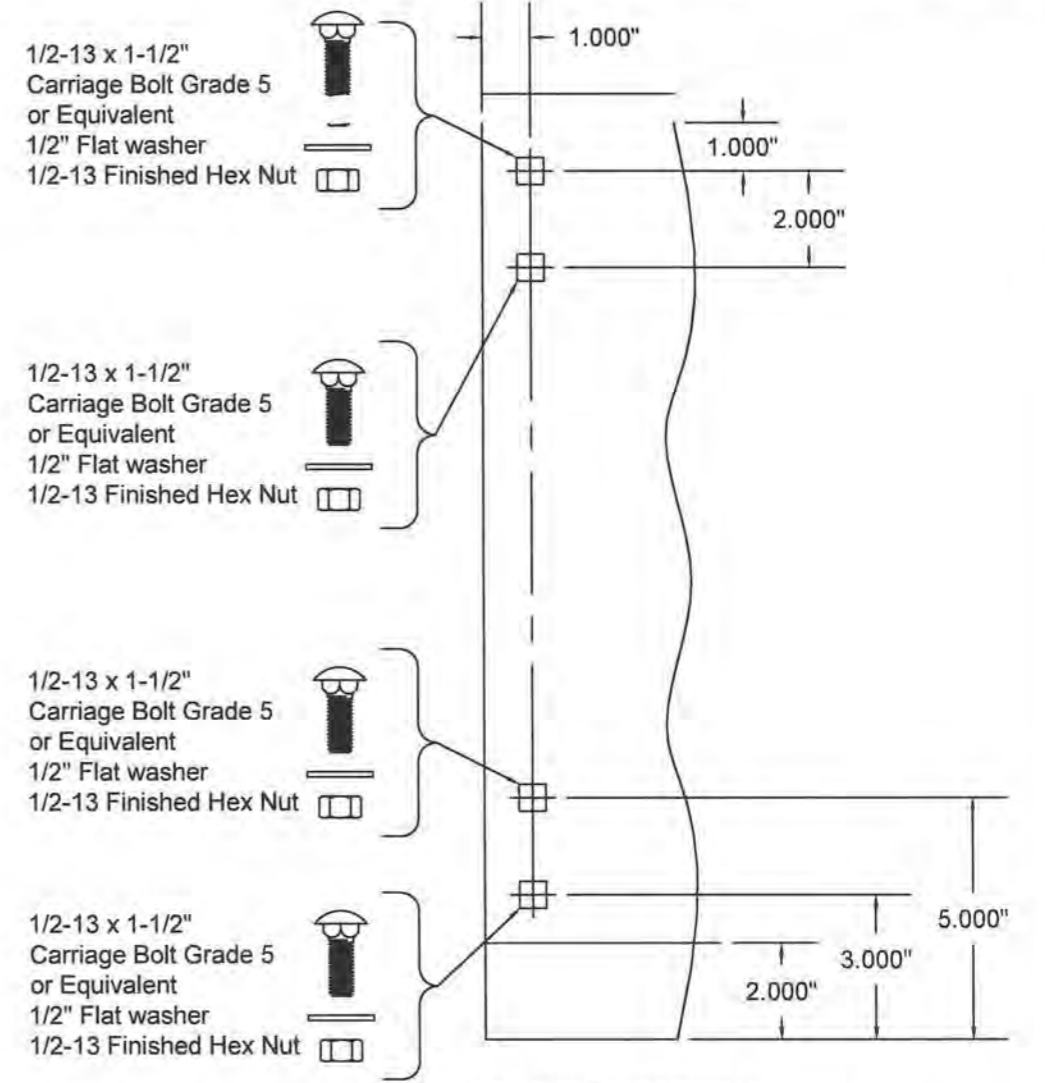


THRU 6"Ø SHAFT ASSEMBLY  
 14" THRU 16" COIL DIMENSION  
 MIN. THICKNESS 0.172" ASTM A36 STEEL  
 OR ASTM A480 STAINLESS STEEL,  
 TYPES 304 OR 316, MIN. 36 KSI YIELD STRENGTH  
 SCALE: 1-1/2" = 1'-0"



NOTE:  
 WHEN A 8"Ø OR LARGER SHAFT  
 ASSEMBLY IS PROVIDED, THERE IS  
 A 2" EXTENSION ON THE BOTTOM  
 OF THE BRACKET.

THRU 10"Ø SHAFT ASSEMBLY  
 17" AND LARGER COIL DIMENSION  
 MIN. THICKNESS 0.240" ASTM A36 STEEL  
 OR ASTM A480 STAINLESS STEEL,  
 TYPES 304 OR 316, MIN. 36 KSI YIELD STRENGTH  
 SCALE: 1-1/2" = 1'-0"

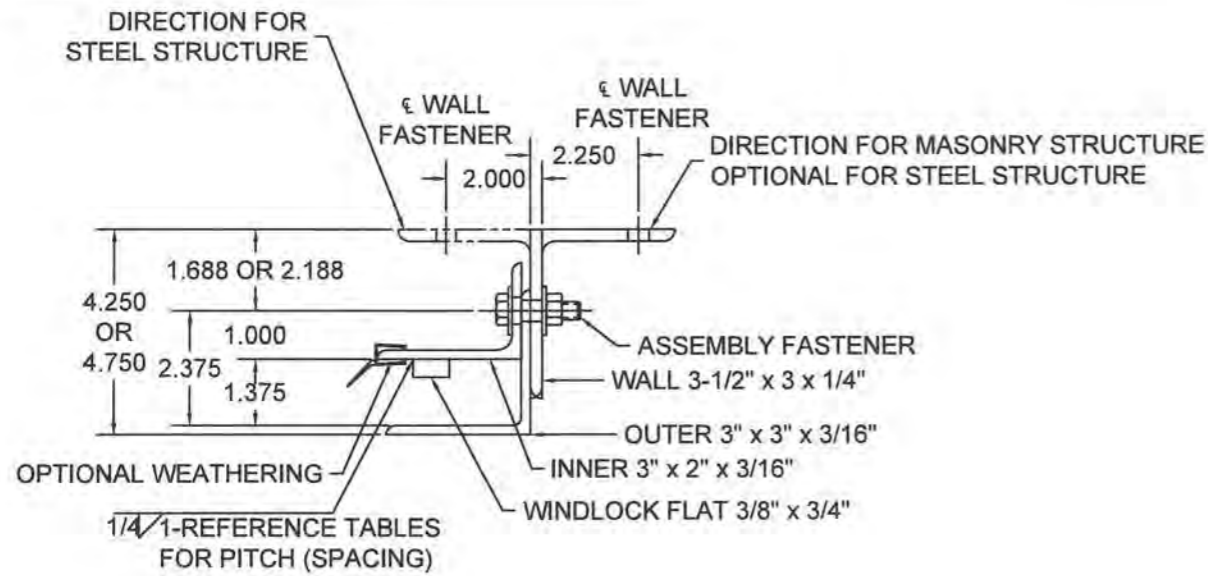


12"Ø SHAFT ASSEMBLY  
 17" AND LARGER COIL DIMENSION  
 MIN. THICKNESS 0.240" ASTM A36 STEEL  
 OR ASTM A480 STAINLESS STEEL,  
 TYPES 304 OR 316, MIN. 36 KSI YIELD STRENGTH  
 SCALE: 1-1/2" = 1'-0"

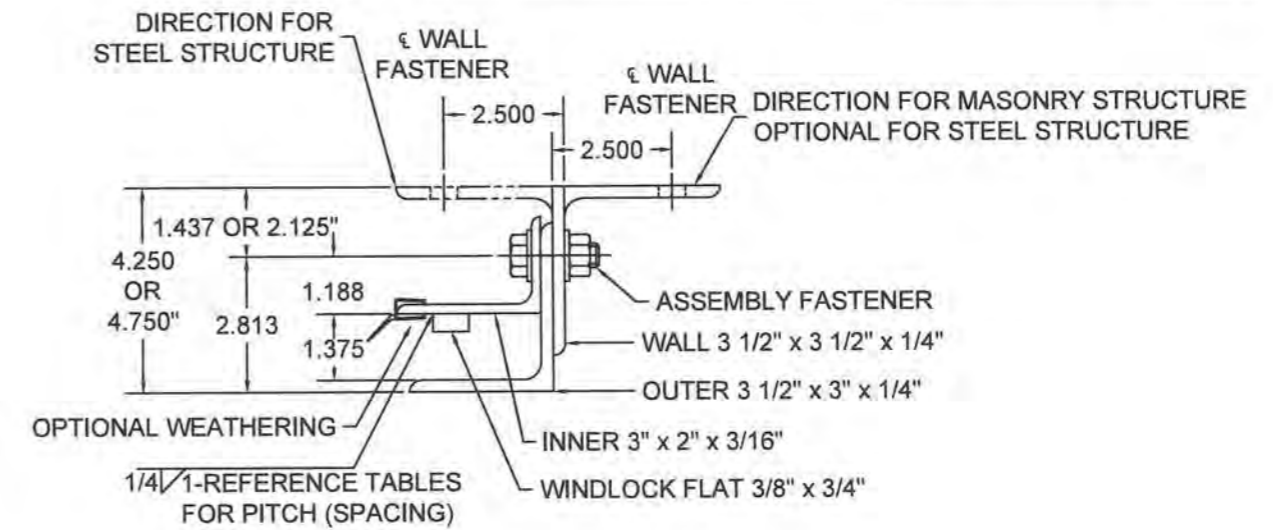


	24 ELMWOOD AVE 1901 S. LITCHFIELD RD MOUNTAINTOP, PA GOODYEAR, AZ		Unless otherwise specified, dimensions are in inches & tolerances are:  0.000 = +/- 0.031 FRACTIONAL = +/- 1/32 ANGLES = +/- 1/2 DEG			
	P: 800.390.8590 F: 866.448.6798 E: ADS@COOKSONDOOR.COM		DRAWN BY:	SIZE:	SCALE:	SHEET:
TITLE: WIND LOAD CONFIGURATION NON-INSULATED ROLLING STEEL DOOR CP0020 SLAT IMPACT RATED			TJE	B	AS NOTED	6/35
DWG NO: ES-16-61-TCCI						

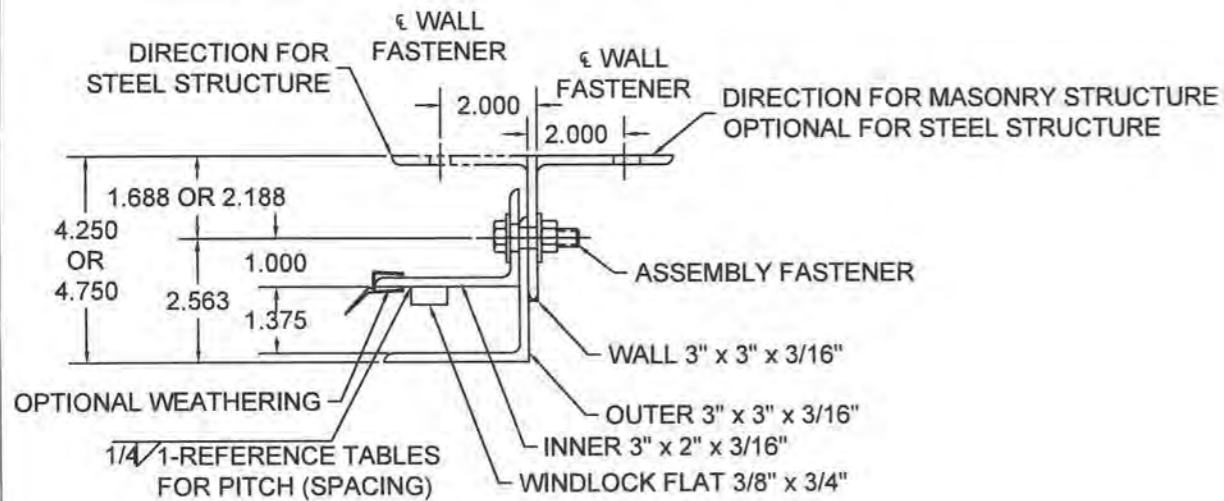
L'TR	REVISION	DATE	BY	E.C.O.
*	ORIGINAL ISSUE	10/15/14	TJE	1615
A	REFORMATTED TABLES; HOOD SUPPORT UPDATE	02/14/20	MAN	2027



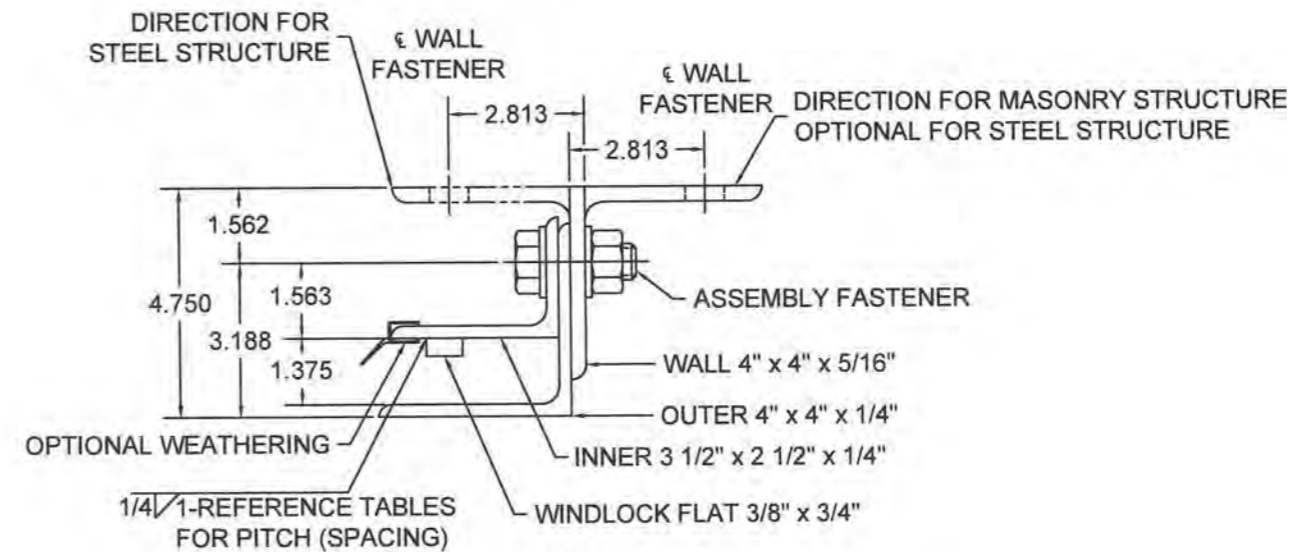
GUIDE ASSEMBLY TYPE 334  
SCALE: 3" = 1'-0"



GUIDE ASSEMBLY TYPE 344  
SCALE: 3" = 1'-0"



GUIDE ASSEMBLY TYPE 333  
SCALE: 3" = 1'-0"

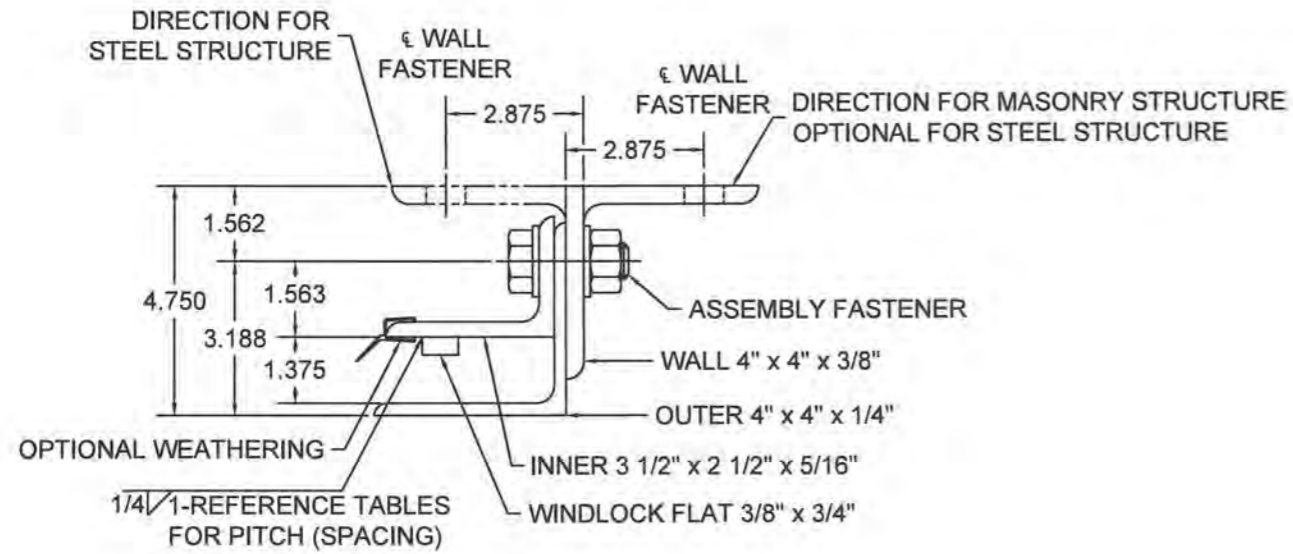


GUIDE ASSEMBLY TYPE 445  
SCALE: 3" = 1'-0"

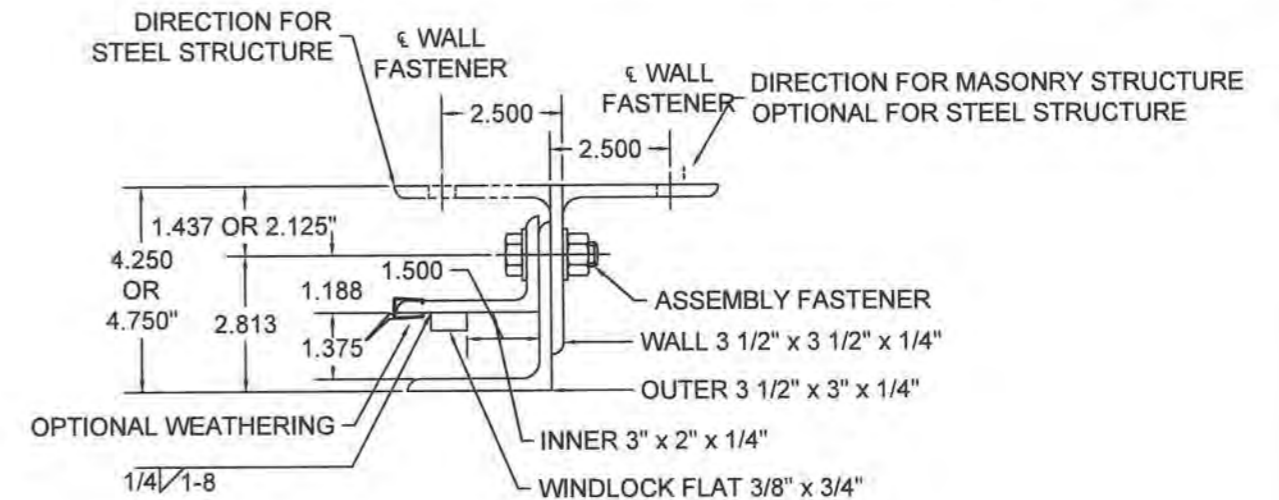


	24 ELMWOOD AVE 1901 S. LITCHFIELD RD MOUNTAINTOP, PA GOODYEAR, AZ		Unless otherwise specified, dimensions are in inches & tolerances are:  0.000 = +/- 0.031 FRACTIONAL = +/- 1/32 ANGLES = +/- 1/2 DEG		
	P: 800.390.8590 F: 866.448.6798 E: ADS@COOKSONDOOR.COM		DRAWN BY: <b>TJE</b>	SIZE: <b>B</b>	SCALE: AS NOTED
TITLE: <b>WIND LOAD CONFIGURATION          NON-INSULATED ROLLING STEEL DOOR          CP0020 SLAT IMPACT RATED</b>			DWG NO: <b>ES-16-61-TCCI</b>		

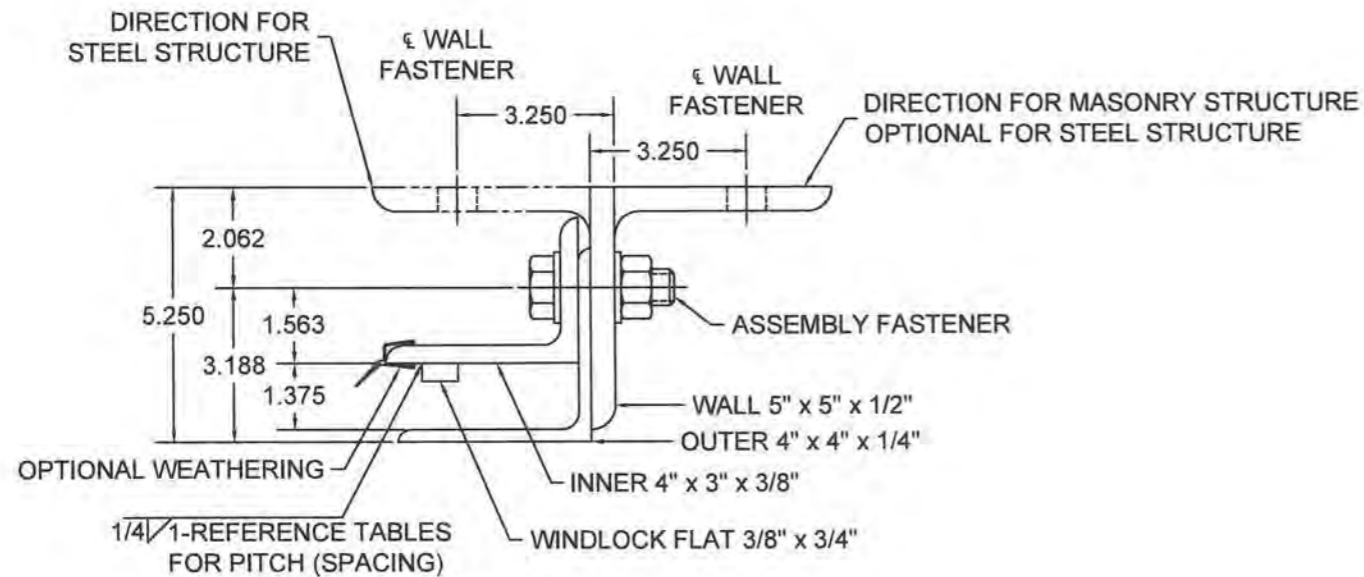
L'TR	REVISION	DATE	BY	E.C.O.
*	ORIGINAL ISSUE	10/15/14	TJE	1615
A	REFORMATTED TABLES; HOOD SUPPORT UPDATE	02/14/20	MAN	2027



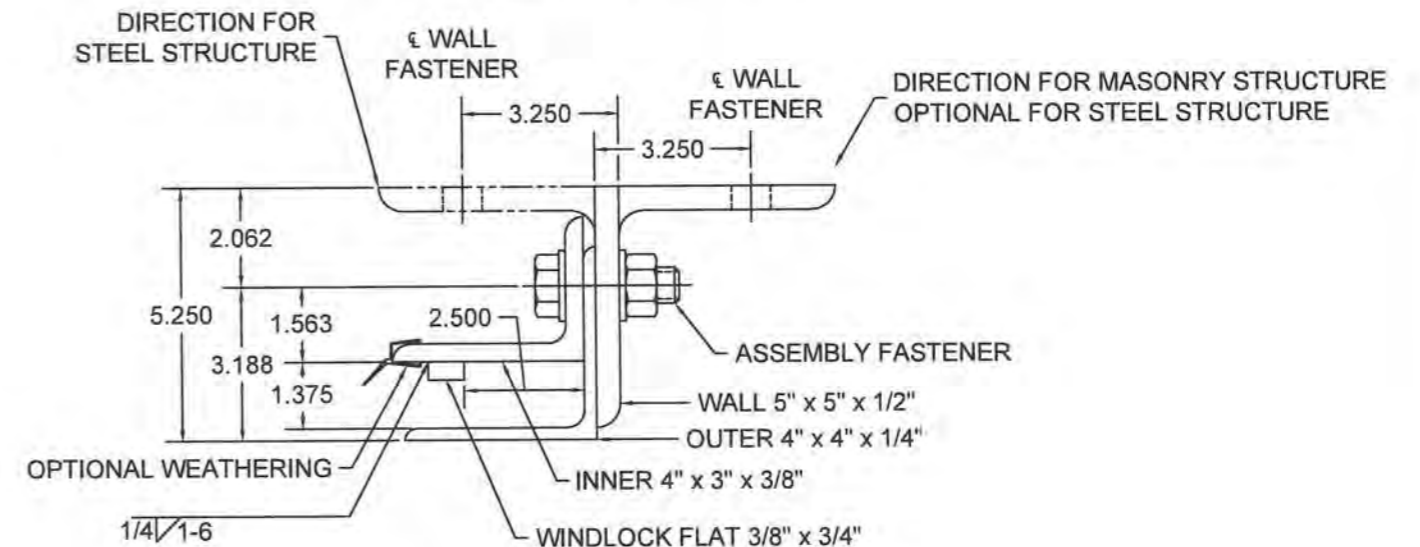
GUIDE ASSEMBLY TYPE 546  
SCALE: 3" = 1'-0"



GUIDE ASSEMBLY TYPE DC 1  
SCALE: 3" = 1'-0"



GUIDE ASSEMBLY TYPE 648  
SCALE: 3" = 1'-0"



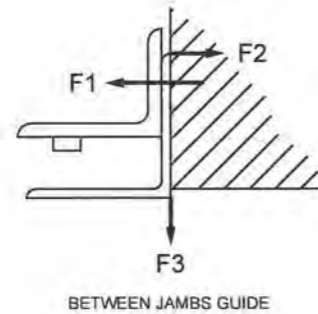
GUIDE ASSEMBLY TYPE DC 2  
SCALE: 3" = 1'-0"



	24 ELMWOOD AVE 1901 S. LITCHFIELD RD MOUNTAINTOP, PA GOODYEAR, AZ		Unless otherwise specified, dimensions are in inches & tolerances are:  0.000 = +/- 0.031 FRACTIONAL = +/- 1/32 ANGLES = +/- 1/2 DEG		
	P: 800.390.8590 F: 866.448.6798 E: ADS@COOKSONDOOR.COM		DRAWN BY: <b>TJE</b>	SIZE: <b>B</b>	SCALE: <b>AS NOTED</b>
TITLE: <b>WIND LOAD CONFIGURATION          NON-INSULATED ROLLING STEEL DOOR          CP0020 SLAT IMPACT RATED</b>			DWG NO: <b>ES-16-61-TCCI</b>		

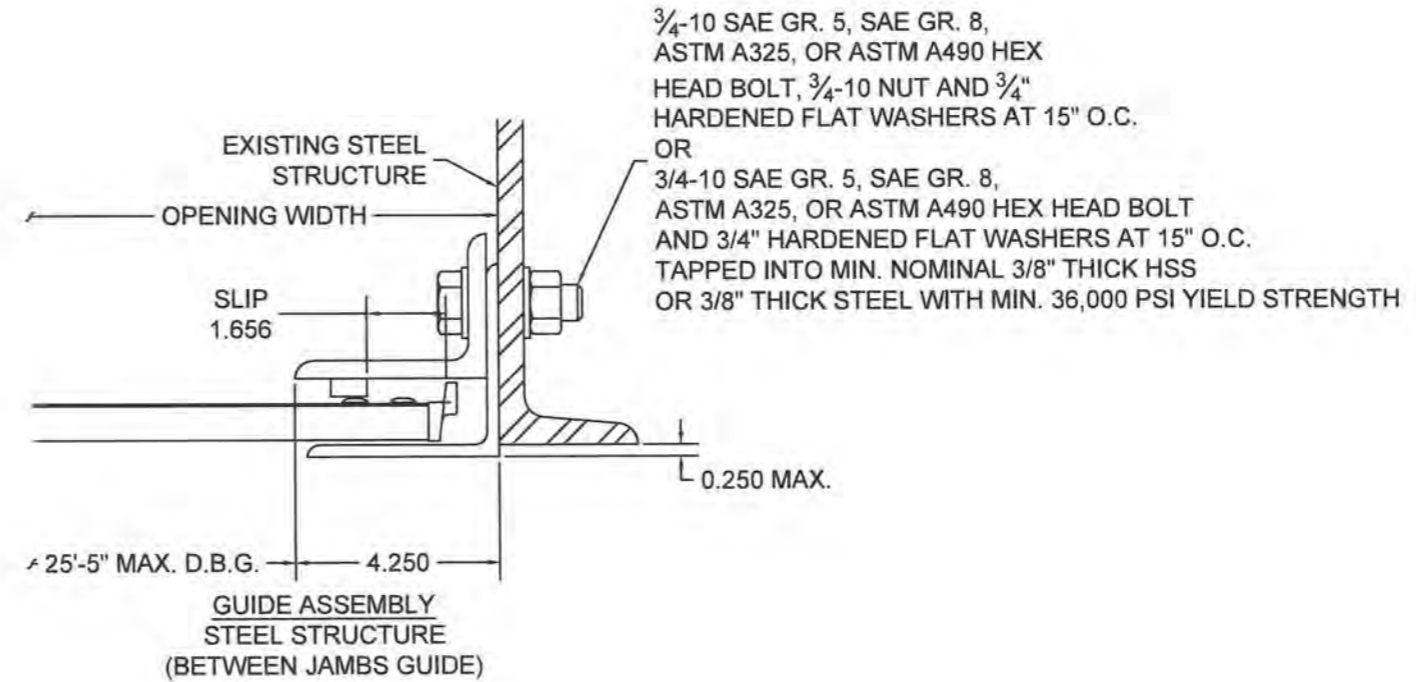


L'TR	REVISION	DATE	BY	E.C.O.
*	ORIGINAL ISSUE	10/15/14	TJE	1615
A	REFORMATTED TABLES; HOOD SUPPORT UPDATE	02/14/20	MAN	2027



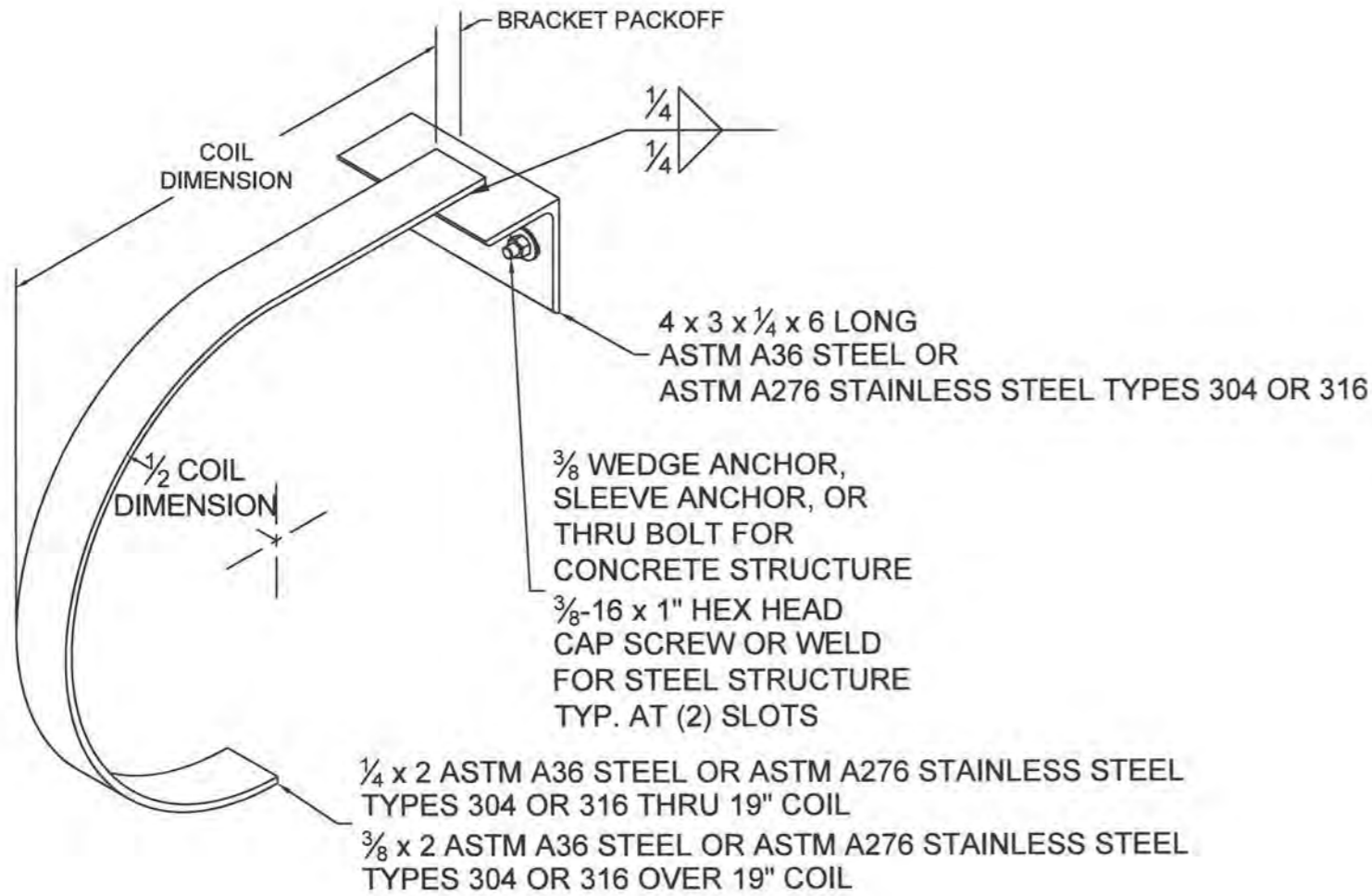
UNREDUCED WIND FORCES ON BUILDING STRUCTURE (LBS / FOOT OF HEIGHT)					
BETWEEN JAMBS GUIDE (25'-5" MAX. D.B.G.)					
POSITIVE			NEGATIVE		
F1	F2	F3	F1	F2	F3
5969	2814	835	14283	11128	835

**BUILDING DESIGNER NOTE:**  
STRUCTURE MUST BE DESIGNED TO SUPPORT F1, F2, AND F3 FORCES (LBS./FT. OF OPENING HEIGHT) AT EACH JAMB.



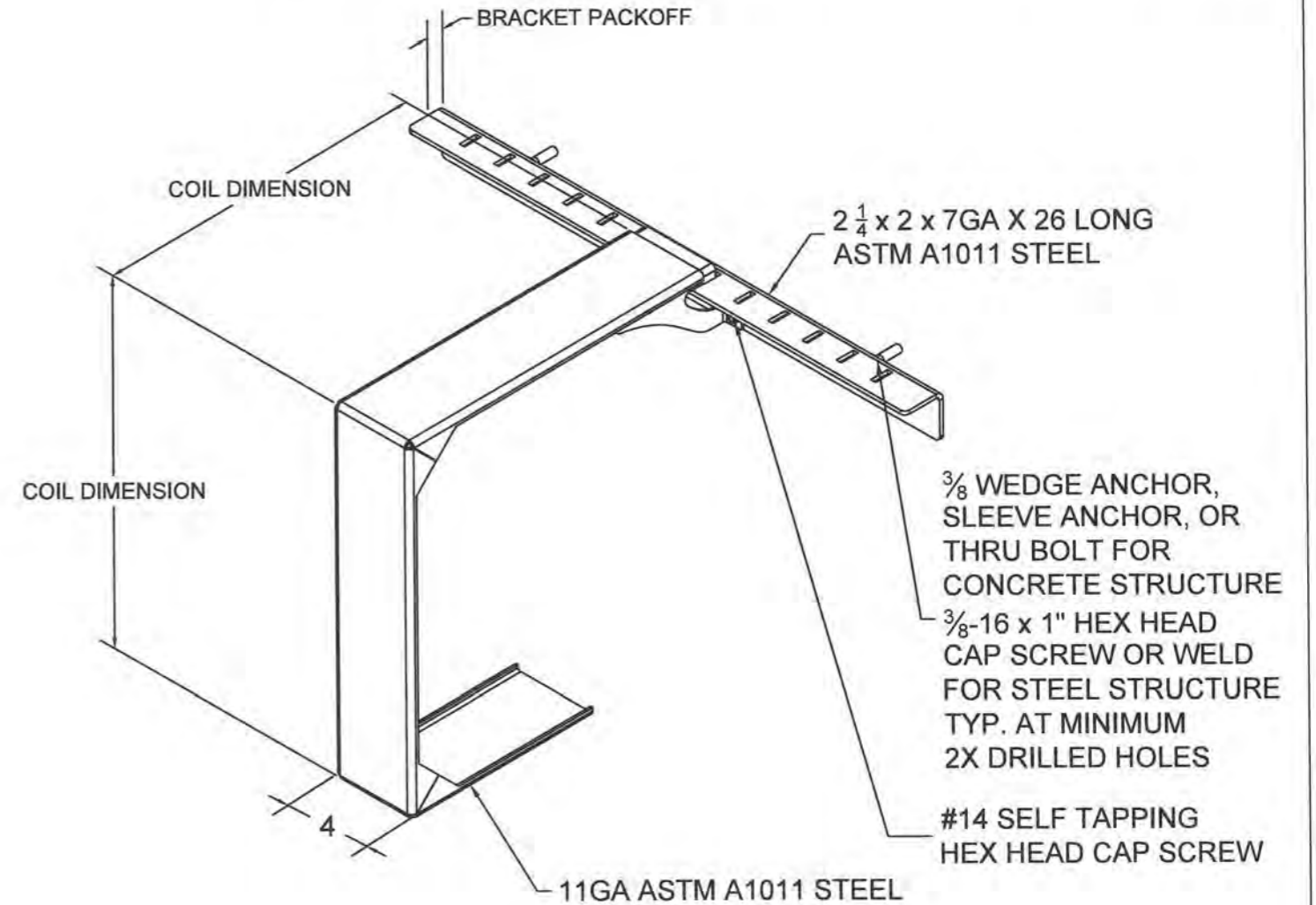
	24 ELMWOOD AVE 1901 S. LITCHFIELD RD MOUNTAINTOP, PA GOODYEAR, AZ	Unless otherwise specified, dimensions are in inches & tolerances are:  0.000 = +/- 0.031 FRACTIONAL = +/- 1/32 ANGLES = +/- 1/2 DEG
	P: 800.390.8590 F: 866.448.6798 E: ADS@COOKSONDOOR.COM	
<b>TITLE:</b> WIND LOAD CONFIGURATION NON-INSULATED ROLLING STEEL DOOR CP0020 SLAT IMPACT RATED	<b>DRAWN BY:</b> TJE <b>SIZE:</b> B <b>SCALE:</b> AS NOTED <b>SHEET:</b> 9/35	<b>DWG NO:</b> ES-16-61-TCCI

L'TR	REVISION	DATE	BY	E.C.O.
*	ORIGINAL ISSUE	10/15/14	TJE	1615
A	REFORMATTED TABLES; HOOD SUPPORT UPDATE	02/14/20	MAN	2027



**MID-HOOD SUPPORT  
(WHEN REQUIRED)**

"D" SHAPE DEPICTED, SQUARE STYLE ALSO AVAILABLE  
SCALE: NTS



**MID-HOOD SUPPORT  
(WHEN REQUIRED)**

SQUARE STYLE DEPICTED, "D" SHAPE ALSO AVAILABLE  
SCALE: NTS



	24 ELMWOOD AVE 1901 S. LITCHFIELD RD MOUNTAINTOP, PA GOODYEAR, AZ	Unless otherwise specified, dimensions are in inches & tolerances are:  0.000 = +/- 0.031 FRACTIONAL = +/- 1/32 ANGLES = +/- 1/2 DEG
	P: 800.390.8590 F: 866.448.6798 E: ADS@COOKSONDOOR.COM	
TITLE: WIND LOAD CONFIGURATION NON-INSULATED ROLLING STEEL DOOR CP0020 SLAT IMPACT RATED	DRAWN BY: TJE DWG NO: ES-16-61-TCCI	SIZE: B SCALE: AS NOTED SHEET: 10/35

L'TR	REVISION	DATE	BY	E.C.O.
*	ORIGINAL ISSUE	10/15/14	TJE	1615
A	REFORMATTED TABLES; HOOD SUPPORT UPDATE	02/14/20	MAN	2027

CP0020 - 0.0296 Minimum Thickness Galvanized or Stainless Steel - 20 PSF																							
Concrete Minimum 3,000 PSI Compressive Strength (Anchors are the same diameter as assembly fasteners)																							
DBG Up To	Windlock Flat Location	Slip	Windlock	Guide Assembly	Windlock Weld Pitch	Assembly Fastener Diameter	Assembly Fastener Spacing	Hilti Kwik Bolt 3				Simpson Wedge All				Red Head Tru-Bolt				Powers Wedge-Bolt			
								Max O.C.	Embed	Min. Wall Thick.	Edge Dist	Max O.C.	Embed	Min. Wall Thick.	Edge Dist	Max O.C.	Embed	Min. Wall Thick.	Edge Dist	Max O.C.	Embed	Min. Wall Thick.	Edge Dist
9'-5"	1 1/2	0.656	CP1152 & CP1153	333	12	3/8	18	36	2 3/8	4	5 3/16	23	2 5/8	3 15/16	5 3/16	24	3	4 1/2	5 3/16	19	2	3	5 3/16
9'-5"	1 1/2	0.656	CP1152 & CP1153	344	12	1/2	18	36	2 1/4	4	5 3/4	36	4 1/2	6 3/4	5 3/4	34	4 1/8	6 3/16	5 3/4	23	2 1/2	3 3/4	5 3/4
13'-5"	1 3/8	0.531	CP1152 & CP1153	333	12	3/8	18	36	2 3/8	4	5 3/16	16	2 5/8	3 15/16	5 3/16	16	3	4 1/2	5 3/16	10	2	3	5 3/16
13'-5"	1 3/8	0.531	CP1152 & CP1153	344	12	1/2	18	36	2 1/4	4	5 3/4	36	4 1/2	6 3/4	5 3/4	30	4 1/8	6 3/16	5 3/4	17	2 1/2	3 3/4	5 3/4
14'-5"	1 1/2	0.656	CP1152 & CP1153	333	12	3/8	18	36	2 3/8	4	5 3/16	13	2 5/8	3 15/16	5 3/16	14	3	4 1/2	5 3/16	8	2	3	5 3/16
14'-5"	1 1/2	0.656	CP1152 & CP1153	344	12	1/2	18	36	2 1/4	4	5 3/4	32	4 1/2	6 3/4	5 3/4	26	4 1/8	6 3/16	5 3/4	14	2 1/2	3 3/4	5 3/4
15'-5"	1 1/2	0.656	CP1152 & CP1153	333	12	3/8	18	14	2 3/8	5	5 3/16	11	2 5/8	3 15/16	5 3/16	11	3	4 1/2	5 3/16	6	2	3	5 3/16
15'-5"	1 1/2	0.656	CP1152 & CP1153	344	12	1/2	18	12	2 1/4	4	5 3/4	26	4 1/2	6 3/4	5 3/4	21	4 1/8	6 3/16	5 3/4	11	2 1/2	3 3/4	5 3/4
16'-5"	1 1/2	0.656	CP1152 & CP1153	333	12	3/8	17	N/A				9	2 5/8	3 15/16	5 3/16	9	3	4 1/2	5 3/16	5	2	3	5 3/16
16'-5"	1 1/2	0.656	CP1152 & CP1153	344	12	1/2	18	36	3 5/8	6	5 3/4	21	4 1/2	6 3/4	5 3/4	17	4 1/8	6 3/16	5 3/4	9	2 1/2	3 3/4	5 3/4
17'-5"	1 1/2	0.656	CP1152 & CP1153	334	12	3/8	15	N/A				8	2 5/8	3 15/16	5 7/16	8	3	4 1/2	5 7/16	5	2	3	5 7/16
17'-5"	1 1/2	0.656	CP1152 & CP1153	344	12	1/2	18	36	3 5/8	6	5 3/4	18	4 1/2	6 3/4	5 3/4	15	4 1/8	6 3/16	5 3/4	8	2 1/2	3 3/4	5 3/4
18'-5"	1 1/2	0.656	CP1152 & CP1153	334	11	3/8	13	N/A				7	2 5/8	3 15/16	5 7/16	7	3	4 1/2	5 7/16	4	2	3	5 7/16
18'-5"	1 1/2	0.656	CP1152 & CP1153	344	11	1/2	18	36	3 5/8	6	5 3/4	16	4 1/2	6 3/4	5 3/4	13	4 1/8	6 3/16	5 3/4	7	2 1/2	3 3/4	5 3/4
19'-5"	1 1/2	0.656	CP1152 & CP1153	334	11	3/8	12	N/A				6	2 5/8	3 15/16	5 7/16	6	3	4 1/2	5 7/16	5	2 1/2	3 3/4	5 7/16
19'-5"	1 1/2	0.656	CP1152 & CP1153	344	11	1/2	18	36	3 5/8	6	5 3/4	14	4 1/2	6 3/4	5 3/4	11	4 1/8	6 3/16	5 3/4	6	2 1/2	3 3/4	5 3/4
20'-5"	1 1/2	0.656	CP1152 & CP1153	334	10	3/8	11	N/A				6	2 5/8	3 15/16	5 7/16	6	3	4 1/2	5 7/16	4	2 1/2	3 3/4	5 7/16
20'-5"	1 1/2	0.656	CP1152 & CP1153	344	10	1/2	18	22	3 5/8	6	5 3/4	13	4 1/2	6 3/4	5 3/4	10	4 1/8	6 3/16	5 3/4	6	2 1/2	3 3/4	5 3/4
21'-5"	1 1/2	0.656	CP1152 & CP1153	334	9	3/8	10	N/A				5	2 5/8	3 15/16	5 7/16	N/A				6	3 1/2	5 1/4	5 7/16
21'-5"	1 1/2	0.656	CP1152 & CP1153	344	9	1/2	18	36	3 5/8	8	5 3/4	12	4 1/2	6 3/4	5 3/4	9	4 1/8	6 3/16	5 3/4	8	3 1/2	5 1/4	5 3/4
22'-5"	1 1/2	0.656	CP1152 & CP1153	344	9	1/2	18	22	3 5/8	8	5 3/4	11	4 1/2	6 3/4	5 3/4	9	4 1/8	6 3/16	5 3/4	7	3 1/2	5 1/4	5 3/4
23'-5"	2	1.156	CP1152 & CP1153	444	10	5/8	18	36	4 3/8	6	6 1/4	17	4 1/2	6 3/4	6 1/4	14	5 1/8	7 11/16	6 1/4	10	4	6	6 1/4
24'-5"	2	1.156	CP1152 & CP1153	444	10	5/8	18	28	4 3/8	6	6 1/4	15	4 1/2	6 3/4	6 1/4	13	5 1/8	7 11/16	6 1/4	9	4	6	6 1/4
25'-5"	2	1.156	CP1152 & CP1153	444	9	5/8	18	19	4 3/8	6	6 1/4	14	4 1/2	6 3/4	6 1/4	12	5 1/8	7 11/16	6 1/4	9	4	6	6 1/4
26'-5"	2	1.156	CP1152 & CP1153	445	9	5/8	18	28	4 3/8	6	6 13/16	15	4 1/2	6 3/4	6 13/16	14	7 1/2	11 1/4	6 13/16	10	4	6	6 13/16
27'-5"	2	1.156	CP1152 & CP1153	445	9	5/8	18	22	4 3/8	6	6 13/16	14	4 1/2	6 3/4	6 13/16	13	7 1/2	11 1/4	6 13/16	9	4	6	6 13/16
28'-5"	2	1.156	CP1152 & CP1153	445	9	5/8	18	36	4 3/8	8	6 13/16	14	4 1/2	6 3/4	6 13/16	12	7 1/2	11 1/4	6 13/16	9	4	6	6 13/16
29'-5"	2	1.156	CP1152 & CP1153	445	8	5/8	18	36	4 3/8	8	6 13/16	13	4 1/2	6 3/4	6 13/16	12	7 1/2	11 1/4	6 13/16	8	4	6	6 13/16
30'-5"	2	1.156	CP1152 & CP1153	445	8	5/8	18	28	4 3/8	8	6 13/16	12	4 1/2	6 3/4	6 13/16	11	7 1/2	11 1/4	6 13/16	8	4	6	6 13/16
31'-5"	2	1.156	CP1152 & CP1153	445	8	5/8	18	N/A				12	4 1/2	6 3/4	6 13/16	N/A				7	4	6	6 13/16
32'-5"	2	1.156	CP1152 & CP1153	445	8	5/8	18	N/A				11	4 1/2	6 3/4	6 13/16	N/A				9	5	7 1/2	6 13/16
33'-5"	2	1.156	CP1152 & CP1153	445	7	5/8	18	N/A				10	4 1/2	6 3/4	6 13/16	N/A				9	5	7 1/2	6 13/16
34'-5"	2	1.156	CP1152 & CP1153	445	7	5/8	18	N/A				10	4 1/2	6 3/4	6 13/16	N/A				9	5	7 1/2	6 13/16
35'-5"	2	1.156	CP1152 & CP1153	546	7	5/8	18	N/A				10	4 1/2	6 3/4	6 7/8	N/A				8	5	7 1/2	6 7/8
36'-5"	2	1.156	CP1152 & CP1153	546	7	5/8	18	N/A				9	4 1/2	6 3/4	6 7/8	N/A				8	5	7 1/2	6 7/8
37'-5"	2	1.156	CP1152 & CP1153	546	7	5/8	18	N/A				9	4 1/2	6 3/4	6 7/8	N/A				8	5	7 1/2	6 7/8
38'-5"	2	1.156	CP1152 & CP1153	546	7	5/8	17	N/A				8	4 1/2	6 3/4	6 7/8	N/A				7	5	7 1/2	6 7/8
39'-5"	2	1.156	CP1152 & CP1153	546	6	5/8	17	N/A				8	4 1/2	6 3/4	6 7/8	N/A				N/A			
40'-5"	2	1.156	CP1152 & CP1153	546	6	5/8	16	N/A				8	4 1/2	6 3/4	6 7/8	N/A				N/A			



	24 ELMWOOD AVE 1901 S. LITCHFIELD RD MOUNTAINTOP, PA GOODYEAR, AZ	Unless otherwise specified, dimensions are in inches & tolerances are:  0.000 = +/- 0.031 FRACTIONAL = +/- 1/32 ANGLES = +/- 1/2 DEG
	P: 800.390.8590 F: 866.448.6798 E: ADS@COOKSONDOOR.COM	TITLE: WIND LOAD CONFIGURATION NON-INSULATED ROLLING STEEL DOOR CP0020 SLAT IMPACT RATED
	SIZE: B SCALE: AS NOTED SHEET: 11/35	

L'TR	REVISION	DATE	BY	E.C.O.
*	ORIGINAL ISSUE	10/15/14	TJE	1615
A	REFORMATTED TABLES; HOOD SUPPORT UPDATE	02/14/20	MAN	2027

CP0020 - 0.0296 Minimum Thickness Galvanized or Stainless Steel - 20 PSF, Cont.																																						
DBG Up To	Filled CMU												Cracked Concrete Minimum 3,000 PSI Compressive Strength												Steel (Wall anchors are the same diameter as assembly fasteners)			Superimposed Loads										
	Hilti Kwik Bolt 3				Simpson Strong-Bolt 2				Through Bolt				Hilti Kwik Bolt TZ				Simpson Strong-Bolt 2				ITW Redhead Trubolt+				Welded		Through Bolt	Tapped		Vx (+)	Vy (+)	Vx (-)	Vy (-)					
	Max O.C.	Dia.	Embed	Edge Dist	Max O.C.	Dia.	Embed	Edge Dist	Max. O.C.	Dia.	Edge Distance	Max O.C.	Dia.	Embed.	Min Wall Thick.	Edge Dist	Max O.C.	Dia.	Embed.	Min Wall Thick.	Edge Dist	Max O.C.	Dia.	Embed.	Min Wall Thick.	Edge Dist	Max O.C.	Slot Size	Max O.C.	Max O.C.	Min. Thickness							
9'-5"	13	3/8	2 1/2	5 3/16	9	3/8	2 5/8	5 3/16	23	3/8	5 3/16	36	3/8	2 5/16	4	5 3/16	19	3/8	1 7/8	3 1/4	5 3/16	36	3/8	2	5	5 3/16	36	7/16 x 5/8	36	36	3/16	0	95	0	95			
9'-5"	10	1/2	2 1/4	5 3/4	10	1/2	3 1/2	5 3/4	36	1/2	5 3/4	36	1/2	3 5/8	6	5 3/4	36	1/2	2 3/4	4 1/2	5 3/4	36	1/2	2 1/2	4	5 3/4	36	9/16 x 3/4	36	36	1/4	0	95	0	95			
13'-5"	9	3/8	2 1/2	5 3/16	8	1/2	3 1/2	5 3/16	16	3/8	5 3/16	36	1/2	3 5/8	6	5 3/16	36	3/8	2 7/8	4 1/2	5 3/16	28 1/2	1/2	2 1/2	4	5 3/16	36	7/16 x 5/8	36	27	3/16	334	135	323	135			
13'-5"	9	1/2	2 1/4	5 3/4	9	1/2	3 1/2	5 3/4	36	1/2	5 3/4	36	1/2	3 5/8	6	5 3/4	36	1/2	2 3/4	4 1/2	5 3/4	36	1/2	2 1/2	4	5 3/4	36	9/16 x 3/4	36	36	1/4	336	135	323	135			
14'-5"	8	3/8	2 1/2	5 3/16	12	3/4	5 1/4	5 3/16	13	3/8	5 3/16	36	1/2	3 5/8	6	5 3/16	36	3/8	2 7/8	4 1/2	5 3/16	19	1/2	3 3/4	6	5 3/16	36	7/16 x 5/8	36	23	3/16	381	145	372	145			
14'-5"	8	1/2	2 1/4	5 3/4	8	1/2	3 1/2	5 3/4	32	1/2	5 3/4	36	1/2	3 5/8	6	5 3/4	36	1/2	2 3/4	4 1/2	5 3/4	36	1/2	2 1/2	4	5 3/4	36	9/16 x 3/4	36	35	1/4	383	145	372	145			
15'-5"	8	3/4	3 1/4	5 3/16	9	3/4	5 1/4	5 3/16	11	3/8	5 3/16	36	1/2	3 5/8	8	5 3/16	28 1/2	1/2	3 7/8	6	5 3/16	16 1/4	1/2	3 3/4	8	5 3/16	28	7/16 x 5/8	28	18	3/16	491	155	483	155			
15'-5"	9	1/2	3 1/2	5 3/4	11	3/4	5 1/4	5 3/4	26	1/2	5 3/4	36	1/2	3 5/8	6	5 3/4	22 3/4	1/2	2 3/4	4 1/2	5 3/4	36	1/2	3 3/4	8	5 3/4	36	9/16 x 3/4	36	28	1/4	493	155	483	155			
16'-5"	10	3/4	4 3/8	5 3/16	8	3/4	5 1/4	5 3/16	9	3/8	5 3/16	36	3/4	5 9/16	8	5 3/16	22 3/4	3/4	4 1/8	6 3/4	5 3/16	22 3/4	3/4	4 3/8	7	5 3/16	23	7/16 x 5/8	23	15	3/16	597	165	589	165			
16'-5"	8	1/2	3 1/2	5 3/4	9	3/4	5 1/4	5 3/4	21	1/2	5 3/4	36	1/2	3 5/8	8	5 3/4	28 1/2	1/2	3 7/8	6	5 3/4	16 1/4	1/2	3 3/4	8	5 3/4	36	9/16 x 3/4	36	23	1/4	598	165	589	165			
17'-5"	9	3/4	4 3/8	5 7/16	N/A				8	3/8	5 7/16	36	3/4	5 9/16	8	5 7/16	36	3/4	5 3/4	8 3/4	5 7/16	16 1/4	3/4	4 3/8	7	5 7/16	19	7/16 x 5/8	19	13	3/16	700	175	693	176			
17'-5"	10	3/4	4 3/8	5 3/4	8	3/4	5 1/4	5 3/4	18	1/2	5 3/4	36	3/4	5 9/16	8	5 3/4	28 1/2	3/4	4 1/8	6 3/4	5 3/4	28 1/2	3/4	4 3/8	7	5 3/4	35	9/16 x 3/4	35	19	1/4	701	176	693	176			
18'-5"	8	3/4	4 3/8	5 7/16	N/A				7	3/8	5 7/16	36	3/4	5 9/16	8	5 7/16	36	3/4	5 3/4	8 3/4	5 7/16	19	3/4	4 3/8	8	5 7/16	17	7/16 x 5/8	17	11	3/16	801	185	794	186			
18'-5"	9	3/4	4 3/8	5 3/4	N/A				16	1/2	5 3/4	36	3/4	5 9/16	8	5 3/4	36	3/4	5 3/4	8 3/4	5 3/4	36	3/4	4 3/8	8	5 3/4	31	9/16 x 3/4	31	17	1/4	802	186	794	186			
19'-5"	N/A				N/A				6	3/8	5 7/16	N/A				N/A				N/A				15	7/16 x 5/8	15	10	3/16	900	196	894	196						
19'-5"	8	3/4	4 3/8	5 3/4	N/A				14	1/2	5 3/4	28 1/2	3/4	5 9/16	8	5 3/4	36	3/4	5 3/4	8 3/4	5 3/4	N/A				27	9/16 x 3/4	27	15	1/4	902	196	894	196				
20'-5"	N/A				N/A				6	3/8	5 7/16	N/A				N/A				N/A				13	7/16 x 5/8	13	9	3/16	1000	206	993	206						
20'-5"	N/A				N/A				13	1/2	5 3/4	N/A				N/A				N/A				25	9/16 x 3/4	25	14	1/4	1001	206	993	206						
21'-5"	N/A				N/A				5	3/8	5 7/16	N/A				N/A				N/A				12	7/16 x 5/8	12	8	3/16	1098	216	1092	216						
21'-5"	N/A				N/A				12	1/2	5 3/4	N/A				N/A				N/A				22	9/16 x 3/4	22	12	1/4	1099	216	1092	216						
22'-5"	N/A				N/A				11	1/2	5 3/4	N/A				N/A				N/A				21	9/16 x 3/4	21	11	1/4	1199	226	1191	227						
23'-5"	N/A				N/A				17	5/8	6 1/4	N/A				N/A				36	3/4	5 3/4	8 3/4	6 1/4	22 3/4	5/8	4 3/4	6 1/4	6 1/4	36	11/16 x 7/8	36	23	5/16	946	235	941	235
24'-5"	N/A				N/A				15	5/8	6 1/4	N/A				N/A				N/A				36	11/16 x 7/8	36	22	5/16	1024	245	1018	245						
25'-5"	N/A				N/A				14	5/8	6 1/4	N/A				N/A				N/A				36	11/16 x 7/8	36	20	5/16	1102	255	1096	255						
26'-5"	N/A				N/A				15	5/8	6 13/16	N/A				N/A				36	3/4	5 3/4	8 3/4	6 13/16	N/A				36	11/16 x 7/8	36	23	5/16	1180	265	1175	266	
27'-5"	N/A				N/A				14	5/8	6 13/16	N/A				N/A				N/A				36	11/16 x 7/8	36	21	5/16	1260	275	1254	276						
28'-5"	N/A				N/A				14	5/8	6 13/16	N/A				N/A				N/A				36	11/16 x 7/8	36	20	5/16	1339	285	1333	286						
29'-5"	N/A				N/A				13	5/8	6 13/16	N/A				N/A				N/A				34	11/16 x 7/8	34	19	5/16	1420	295	1414	296						
30'-5"	N/A				N/A				12	5/8	6 13/16	N/A				N/A				N/A				32	11/16 x 7/8	32	18	5/16	1501	306	1495	306						
31'-5"	N/A				N/A				12	5/8	6 13/16	N/A				N/A				N/A				31	11/16 x 7/8	31	17	5/16	1583	316	1577	317						
32'-5"	N/A				N/A				11	5/8	6 13/16	N/A				N/A				N/A				29	11/16 x 7/8	29	16	5/16	1666	326	1660	327						
33'-5"	N/A				N/A				10	5/8	6 13/16	N/A				N/A				N/A				28	11/16 x 7/8	28	15	5/16	1749	336	1743	337						
34'-5"	N/A				N/A				10	5/8	6 13/16	N/A				N/A				N/A				26	11/16 x 7/8	26	14	5/16	1834	347	1828	347						
35'-5"	N/A				N/A				10	5/8	6 7/8	N/A				N/A				N/A				24	11/16 x 7/8	24	13	5/16	1920	357	1913	358						
36'-5"	N/A				N/A				9	5/8	6 7/8	N/A				N/A				N/A				23	11/16 x 7/8	23	12	5/16	2006	367	2000	368						
37'-5"	N/A				N/A				9	5/8	6 7/8	N/A				N/A				N/A				22	11/16 x 7/8	22	12	5/16	2093	378	2087	378						
38'-5"	N/A				N/A				8	5/8	6 7/8	N/A				N/A				N/A				21	11/16 x 7/8	21	11	5/16	2182	388	2175	389						
39'-5"	N/A				N/A				8	5/8	6 7/8	N/A				N/A				N/A				20	11/16 x 7/8	20	11	5/16	2271	398	2265	399						
40'-5"	N/A				N/A				8	5/8	6 7/8	N/A				N/A				N/A				19	11/16 x 7/8	19	10	5/16	2361	409	2355	409						



Preferred door solutions™

# COOKSON

P: 800.390.8590  
F: 866.448.6798  
E: ADS@COOKSONDOOR.COM

24 ELMWOOD AVE 1901 S. LITCHFIELD RD  
MOUNTAINTOP, PA GOODYEAR, AZ

Unless otherwise specified,  
dimensions are in inches &  
tolerances are:

0.000 = +/- 0.031  
FRACTIONAL = +/- 1/32  
ANGLES = +/- 1/2 DEG

TITLE: WIND LOAD CONFIGURATION  
NON-INSULATED ROLLING STEEL DOOR  
CP0020 SLAT IMPACT RATED

DRAWN BY: TJE  
SIZE: B  
SCALE: AS NOTED  
SHEET: 12/35  
DWG NO: ES-16-61-TCCI

L'TR	REVISION	DATE	BY	E.C.O.
*	ORIGINAL ISSUE	10/15/14	TJE	1615
A	REFORMATTED TABLES; HOOD SUPPORT UPDATE	02/14/20	MAN	2027

CP0020 - 0.0296 Minimum Thickness Galvanized or Stainless Steel - 30 PSF																							
Concrete Minimum 3,000 PSI Compressive Strength (Anchors are the same diameter as assembly fasteners)																							
DBG Up To	Windlock Flat Location	Slip	Windlock	Guide Assembly	Windlock Weld Pitch	Assembly Fastener Diameter	Assembly Fastener Spacing	Hilti Kwik Bolt 3				Simpson Wedge All				Red Head Tru-Bolt				Powers Wedge-Bolt			
								Max O.C.	Embed	Min. Wall Thick.	Edge Dist	Max O.C.	Embed	Min. Wall Thick.	Edge Dist	Max O.C.	Embed	Min. Wall Thick.	Edge Dist	Max O.C.	Embed	Min. Wall Thick.	Edge Dist
7'-5"	1 1/2	0.656	CP1152 & CP1153	333	12	3/8	18	36	2 3/8	4	5 3/16	20	2 5/8	3 15/16	5 3/16	20	3	4 1/2	5 3/16	16	2	3	5 3/16
7'-5"	1 1/2	0.656	CP1152 & CP1153	344	12	1/2	18	36	2 1/4	4	5 3/4	36	4 1/2	6 3/4	5 3/4	29	4 1/8	6 3/16	5 3/4	19	2 1/2	3 3/4	5 3/4
13'-5"	1 3/8	0.531	CP1152 & CP1153	334	12	3/8	15	N/A				8	2 5/8	3 15/16	5 7/16	8	3	4 1/2	5 7/16	5	2	3	5 7/16
13'-5"	1 3/8	0.531	CP1152 & CP1153	344	12	1/2	18	36	3 5/8	6	5 3/4	19	4 1/2	6 3/4	5 3/4	15	4 1/8	6 3/16	5 3/4	8	2 1/2	3 3/4	5 3/4
14'-5"	1 1/2	0.656	CP1152 & CP1153	334	12	3/8	14	N/A				8	2 5/8	3 15/16	5 7/16	8	3	4 1/2	5 7/16	5	2	3	5 7/16
14'-5"	1 1/2	0.656	CP1152 & CP1153	344	12	1/2	18	36	3 5/8	6	5 3/4	17	4 1/2	6 3/4	5 3/4	14	4 1/8	6 3/16	5 3/4	8	2 1/2	3 3/4	5 3/4
15'-5"	1 1/2	0.656	CP1152 & CP1153	334	11	3/8	12	N/A				6	2 5/8	3 15/16	5 7/16	7	3	4 1/2	5 7/16	5	2 1/2	3 3/4	5 7/16
15'-5"	1 1/2	0.656	CP1152 & CP1153	344	11	1/2	18	36	3 5/8	6	5 3/4	14	4 1/2	6 3/4	5 3/4	12	4 1/8	6 3/16	5 3/4	6	2 1/2	3 3/4	5 3/4
16'-5"	1 1/2	0.656	CP1152 & CP1153	334	10	3/8	10	N/A				6	2 5/8	3 15/16	5 7/16	6	3	4 1/2	5 7/16	4	2 1/2	3 3/4	5 7/16
16'-5"	1 1/2	0.656	CP1152 & CP1153	344	10	1/2	18	19	3 5/8	6	5 3/4	12	4 1/2	6 3/4	5 3/4	10	4 1/8	6 3/16	5 3/4	8	3 1/2	5 1/4	5 3/4
17'-5"	1 1/2	0.656	CP1152 & CP1153	344	9	1/2	18	22	3 5/8	8	5 3/4	11	4 1/2	6 3/4	5 3/4	9	4 1/8	6 3/16	5 3/4	7	3 1/2	5 1/4	5 3/4
18'-5"	2	1.156	CP1152 & CP1153	444	10	5/8	18	36	4 3/8	6	6 1/4	16	4 1/2	6 3/4	6 1/4	14	5 1/8	7 11/16	6 1/4	10	4	6	6 1/4
19'-5"	2	1.156	CP1152 & CP1153	444	10	5/8	18	22	4 3/8	6	6 1/4	15	4 1/2	6 3/4	6 1/4	13	5 1/8	7 11/16	6 1/4	9	4	6	6 1/4
20'-5"	2	1.156	CP1152 & CP1153	445	9	5/8	18	36	4 3/8	6	6 13/16	16	4 1/2	6 3/4	6 13/16	14	7 1/2	11 1/4	6 13/16	10	4	6	6 13/16
21'-5"	2	1.156	CP1152 & CP1153	445	9	5/8	18	19	4 3/8	6	6 13/16	14	4 1/2	6 3/4	6 13/16	13	7 1/2	11 1/4	6 13/16	9	4	6	6 13/16
22'-5"	2	1.156	CP1152 & CP1153	445	8	5/8	18	36	4 3/8	8	6 13/16	13	4 1/2	6 3/4	6 13/16	12	7 1/2	11 1/4	6 13/16	8	4	6	6 13/16
23'-5"	2	1.156	CP1152 & CP1153	445	8	5/8	18	28	4 3/8	8	6 13/16	12	4 1/2	6 3/4	6 13/16	11	7 1/2	11 1/4	6 13/16	8	4	6	6 13/16
24'-5"	2	1.156	CP1152 & CP1153	445	8	5/8	18	N/A				11	4 1/2	6 3/4	6 13/16	N/A				7	4	6	6 13/16
25'-5"	2	1.156	CP1152 & CP1153	445	8	5/8	18	N/A				11	4 1/2	6 3/4	6 13/16	N/A				9	5	7 1/2	6 13/16
26'-5"	2	1.156	CP1152 & CP1153	546	7	5/8	18	N/A				10	4 1/2	6 3/4	6 7/8	N/A				9	5	7 1/2	6 7/8
27'-5"	2	1.156	CP1152 & CP1153	546	7	5/8	18	N/A				9	4 1/2	6 3/4	6 7/8	N/A				8	5	7 1/2	6 7/8
28'-5"	2	1.156	CP1152 & CP1153	546	7	5/8	18	N/A				9	4 1/2	6 3/4	6 7/8	N/A				8	2 1/2	3 3/4	6 7/8
29'-5"	2	1.156	CP1152 & CP1153	546	7	5/8	17	N/A				8	4 1/2	6 3/4	6 7/8	N/A				7	2 1/2	3 3/4	6 7/8
30'-5"	2	1.156	CP1152 & CP1153	546	6	5/8	16	N/A				8	4 1/2	6 3/4	6 7/8	N/A				N/A			
31'-5"	2	1.156	CP1152 & CP1153	546	6	5/8	15	N/A				8	4 1/2	6 3/4	6 7/8	N/A				N/A			
32'-5"	2	1.156	CP1152 & CP1153	546	6	5/8	15	N/A				7	4 1/2	6 3/4	6 7/8	N/A				N/A			
33'-5"	2	1.156	CP1152 & CP1153	546	6	5/8	14	N/A				7	4 1/2	6 3/4	6 7/8	N/A				N/A			
34'-5"	2	1.156	CP1152 & CP1153	648	6	3/4	18	N/A				6	4 1/2	6 3/4	6 7/8	N/A				N/A			
35'-5"	2 1/2	1.656	CP1152 & CP1153	648	6	3/4	18	N/A				9	5	7 1/2	7 1/2	10	6 5/8	9 15/16	7 1/2	N/A			
36'-5"	2 1/2	1.656	CP1152 & CP1153	648	6	3/4	18	N/A				9	5	7 1/2	7 1/2	10	6 5/8	9 15/16	7 1/2	N/A			
37'-5"	2 1/2	1.656	CP1152 & CP1153	648	6	3/4	18	N/A				8	5	7 1/2	7 1/2	9	6 5/8	9 15/16	7 1/2	N/A			
38'-5"	2 1/2	1.656	CP1152 & CP1153	648	6	3/4	18	N/A				8	5	7 1/2	7 1/2	8	6 5/8	9 15/16	7 1/2	N/A			
39'-5"	2 1/2	1.656	CP1152 & CP1153	648	6	3/4	18	N/A				8	5	7 1/2	7 1/2	7	6 5/8	9 15/16	7 1/2	N/A			
40'-5"	2 1/2	1.656	CP1152 & CP1153	648	6	3/4	18	N/A				7	5	7 1/2	7 1/2	6	6 5/8	9 15/16	7 1/2	N/A			



	24 ELMWOOD AVE 1901 S. LITCHFIELD RD MOUNTAINTOP, PA GOODYEAR, AZ		Unless otherwise specified, dimensions are in inches & tolerances are:		
	P: 800.390.8590 F: 866.448.6798 E: ADS@COOKSONDOOR.COM		0.000 = +/- 0.031 FRACTIONAL = +/- 1/32 ANGLES = +/- 1/2 DEG		
TITLE: WIND LOAD CONFIGURATION NON-INSULATED ROLLING STEEL DOOR CP0020 SLAT IMPACT RATED		DRAWN BY: <b>TJE</b>	SIZE: <b>B</b>	SCALE: <b>AS NOTED</b>	SHEET: <b>13/35</b>
		DWG NO: <b>ES-16-61-TCCI</b>			

L'TR	REVISION	DATE	BY	E.C.O.
*	ORIGINAL ISSUE	10/15/14	TJE	1615
A	REFORMATTED TABLES; HOOD SUPPORT UPDATE	02/14/20	MAN	2027

CP0020 - 0.0296 Minimum Thickness Galvanized or Stainless Steel - 30 PSF, Cont.																																			
DBG Up To	Filled CMU									Cracked Concrete Minimum 3,000 PSI Compressive Strength															Steel (Wall anchors are the same diameter as assembly fasteners)				Superimposed Loads						
	Hilti Kwik Bolt 3				Simpson Strong-Bolt 2				Through Bolt			Hilti Kwik Bolt TZ					Simpson Strong-Bolt 2					ITW Redhead Trubolt+					Welded		Through Bolt	Tapped		Vx (+)	Vy (+)	Vx (-)	Vy (-)
	Max O.C.	Dia.	Embed	Edge Dist	Max O.C.	Dia.	Embed	Edge Dist	Max. O.C.	Dia.	Edge Distance	Max O.C.	Dia.	Embed.	Min Wall Thick.	Edge Dist	Max O.C.	Dia.	Embed.	Min Wall Thick.	Edge Dist	Max O.C.	Dia.	Embed.	Min Wall Thick.	Edge Dist	Max O.C.	Slot Size	Max O.C.	Max O.C.	Min. Thickness				
7'-5"	11	3/8	2 1/2	5 3/16	8	3/8	2 5/8	5 3/16	20	3/8	5 3/16	8 1/8	3/8	2 5/16	4	5 3/16	36	3/8	2 7/8	4 1/2	5 3/16	28 1/2	3/8	2	5	5 3/16	36	7/16 x 5/8	36	36	3/16	0	113	0	112
7'-5"	8	1/2	2 1/4	5 3/4	9	1/2	3 1/2	5 3/4	36	1/2	5 3/4	36	1/2	3 5/8	6	5 3/4	36	1/2	2 3/4	4 1/2	5 3/4	36	1/2	2 1/2	4	5 3/4	36	9/16 x 3/4	36	36	1/4	0	113	0	112
13'-5"	9	3/4	4 3/8	5 7/16	N/A				8	3/8	5 7/16	36	3/4	5 9/16	8	5 7/16	19	3/4	4 1/8	6 3/4	5 7/16	19	3/4	4 3/8	7	5 7/16	20	7/16 x 5/8	20	13	3/16	678	203	665	203
13'-5"	10	3/4	4 3/8	5 3/4	8	3/4	5 1/4	5 3/4	19	1/2	5 3/4	19	1/2	3 5/8	8	5 3/4	28 1/2	3/4	4 1/8	6 3/4	5 3/4	36	3/4	4 3/8	7	5 3/4	36	9/16 x 3/4	36	20	1/4	680	203	665	203
14'-5"	9	3/4	4 3/8	5 7/16	N/A				8	3/8	5 7/16	36	3/4	5 9/16	8	5 7/16	36	3/4	5 3/4	8 3/4	5 7/16	28 1/2	3/4	4 3/8	8	5 7/16	19	7/16 x 5/8	19	12	3/16	724	218	713	218
14'-5"	10	3/4	4 3/8	5 3/4	8	3/4	5 1/4	5 3/4	17	1/2	5 3/4	36	3/4	5 9/16	8	5 3/4	19	3/4	4 1/8	6 3/4	5 3/4	22 3/4	3/4	4 3/8	7	5 3/4	34	9/16 x 3/4	34	19	1/4	726	218	713	218
15'-5"	N/A				N/A				6	3/8	5 7/16	19	3/4	5 9/16	8	5 7/16	36	3/4	5 3/4	8 3/4	5 7/16	N/A				16	7/16 x 5/8	16	10	3/16	870	233	860	233	
15'-5"	8	3/4	4 3/8	5 3/4	N/A				14	1/2	5 3/4	36	3/4	5 9/16	8	5 3/4	36	3/4	5 3/4	8 3/4	5 3/4	19	3/4	4 3/8	8	5 3/4	28	9/16 x 3/4	28	15	1/4	872	233	860	233
16'-5"	N/A				N/A				6	3/8	5 7/16	N/A					N/A					13	7/16 x 5/8	13	9	3/16	1013	248	1003	248					
16'-5"	N/A				N/A				12	1/2	5 3/4	N/A					N/A					24	9/16 x 3/4	24	13	1/4	1015	248	1003	248					
17'-5"	N/A				N/A				11	1/2	5 3/4	N/A					N/A					21	9/16 x 3/4	21	12	1/4	1156	263	1145	264					
18'-5"	N/A				N/A				16	5/8	6 1/4	N/A					36	3/4	5 3/4	8 3/4	6 1/4	22 3/4	5/8	4 3/4	6 1/4	6 1/4	36	11/16 x 7/8	36	24	5/16	926	276	918	277
19'-5"	N/A				N/A				15	5/8	6 1/4	N/A					N/A					36	11/16 x 7/8	36	21	5/16	1036	291	1028	292					
20'-5"	N/A				N/A				16	5/8	6 13/16	N/A					36	3/4	5 3/4	8 3/4	6 13/16	N/A					36	11/16 x 7/8	36	23	5/16	1146	306	1138	307
21'-5"	N/A				N/A				14	5/8	6 13/16	N/A					N/A					36	11/16 x 7/8	36	21	5/16	1256	322	1248	323					
22'-5"	N/A				N/A				13	5/8	6 13/16	N/A					N/A					36	11/16 x 7/8	36	20	5/16	1366	337	1358	338					
23'-5"	N/A				N/A				12	5/8	6 13/16	N/A					N/A					33	11/16 x 7/8	33	18	5/16	1477	352	1469	353					
24'-5"	N/A				N/A				11	5/8	6 13/16	N/A					N/A					31	11/16 x 7/8	31	17	5/16	1589	367	1581	368					
25'-5"	N/A				N/A				11	5/8	6 13/16	N/A					N/A					28	11/16 x 7/8	28	16	5/16	1702	383	1694	384					
26'-5"	N/A				N/A				10	5/8	6 7/8	N/A					N/A					25	11/16 x 7/8	25	14	5/16	1816	398	1808	399					
27'-5"	N/A				N/A				9	5/8	6 7/8	N/A					N/A					24	11/16 x 7/8	24	13	5/16	1931	413	1923	414					
28'-5"	N/A				N/A				9	5/8	6 7/8	N/A					N/A					22	11/16 x 7/8	22	12	5/16	2048	429	2039	430					
29'-5"	N/A				N/A				8	5/8	6 7/8	N/A					N/A					21	11/16 x 7/8	21	11	5/16	2166	444	2157	445					
30'-5"	N/A				N/A				8	5/8	6 7/8	N/A					N/A					20	11/16 x 7/8	20	11	5/16	2285	459	2277	461					
31'-5"	N/A				N/A				8	5/8	6 7/8	N/A					N/A					19	11/16 x 7/8	19	10	5/16	2406	475	2397	476					
32'-5"	N/A				N/A				7	5/8	6 7/8	N/A					N/A					18	11/16 x 7/8	18	10	5/16	2528	491	2519	492					
33'-5"	N/A				N/A				7	5/8	6 7/8	N/A					N/A					17	11/16 x 7/8	17	9	5/16	2652	506	2643	507					
34'-5"	N/A				N/A				6	3/4	6 7/8	N/A					N/A					36	11/16 x 7/8	36	21	3/8	2305	518	2297	519					
35'-5"	N/A				N/A				9	3/4	7 1/2	N/A					N/A					36	13/16 x 1	36	20	3/8	2411	534	2403	534					
36'-5"	N/A				N/A				9	3/4	7 1/2	N/A					N/A					35	13/16 x 1	35	19	3/8	2519	549	2511	550					
37'-5"	N/A				N/A				8	3/4	7 1/2	N/A					N/A					33	13/16 x 1	33	18	3/8	2628	565	2620	565					
38'-5"	N/A				N/A				8	3/4	7 1/2	N/A					N/A					32	13/16 x 1	32	17	3/8	2738	580	2729	581					
39'-5"	N/A				N/A				8	3/4	7 1/2	N/A					N/A					31	13/16 x 1	31	17	3/8	2849	596	2841	596					
40'-5"	N/A				N/A				7	3/4	7 1/2	N/A					N/A					30	13/16 x 1	30	16	3/8	2961	611	2953	612					



	24 ELMWOOD AVE 1901 S. LITCHFIELD RD MOUNTAINTOP, PA GOODYEAR, AZ	Unless otherwise specified, dimensions are in inches & tolerances are:  0.000 = +/- 0.031 FRACTIONAL = +/- 1/32 ANGLES = +/- 1/2 DEG
	P: 800.390.8590 F: 866.448.6798 E: ADS@COOKSONDOOR.COM	TITLE: WIND LOAD CONFIGURATION NON-INSULATED ROLLING STEEL DOOR CP0020 SLAT IMPACT RATED

L'TR	REVISION	DATE	BY	E.C.O.
*	ORIGINAL ISSUE	10/15/14	TJE	1615
A	REFORMATTED TABLES; HOOD SUPPORT UPDATE	02/14/20	MAN	2027

CP0020 - 0.0296 Minimum Thickness Galvanized or Stainless Steel - 40 PSF																							
Concrete Minimum 3,000 PSI Compressive Strength (Anchors are the same diameter as assembly fasteners)																							
DBG Up To	Windlock Flat Location	Slip	Windlock	Guide Assembly	Windlock Weld Pitch	Assembly Fastener Diameter	Assembly Fastener Spacing	Hilti Kwik Bolt 3				Simpson Wedge All				Red Head Tru-Bolt				Powers Wedge-Bolt			
								Max O.C.	Embed	Min. Wall Thick.	Edge Dist	Max O.C.	Embed	Min. Wall Thick.	Edge Dist	Max O.C.	Embed	Min. Wall Thick.	Edge Dist	Max O.C.	Embed	Min. Wall Thick.	Edge Dist
6'-5"	1 1/2	0.656	CP1152 & CP1153	333	12	3/8	18	36	2 3/8	4	5 3/16	17	2 5/8	3 15/16	5 3/16	18	3	4 1/2	5 3/16	13	2	3	5 3/16
6'-5"	1 1/2	0.656	CP1152 & CP1153	344	12	1/2	18	36	2 1/4	4	5 3/4	34	4 1/2	6 3/4	5 3/4	25	4 1/8	6 3/16	5 3/4	27	3 1/2	5 1/4	5 3/4
13'-5"	1 3/8	0.531	CP1152 & CP1153	334	10	3/8	10	N/A				5	2 5/8	3 15/16	5 7/16	6	3	4 1/2	5 7/16	4	2 1/2	3 3/4	5 7/16
13'-5"	1 3/8	0.531	CP1152 & CP1153	344	10	1/2	18	36	3 5/8	8	5 3/4	12	4 1/2	6 3/4	5 3/4	10	4 1/8	6 3/16	5 3/4	8	3 1/2	5 1/4	5 3/4
14'-5"	1 1/2	0.656	CP1152 & CP1153	334	10	3/8	9	N/A				5	2 5/8	3 15/16	5 7/16	N/A				7	3 1/2	5 1/4	5 7/16
14'-5"	1 1/2	0.656	CP1152 & CP1153	344	10	1/2	18	36	3 5/8	8	5 3/4	12	4 1/2	6 3/4	5 3/4	9	4 1/8	6 3/16	5 3/4	8	3 1/2	5 1/4	5 3/4
15'-5"	1 5/8	0.781	CP1152 & CP1153	444	9	5/8	18	36	4 3/8	8	6 1/4	14	4 1/2	6 3/4	6 1/4	12	5 1/8	7 11/16	6 1/4	9	4	6	6 1/4
16'-5"	1 3/4	0.906	CP1152 & CP1153	445	9	5/8	18	28	4 3/8	6	6 13/16	15	4 1/2	6 3/4	6 13/16	14	7 1/2	11 1/4	6 13/16	10	4	6	6 13/16
17'-5"	2	1.156	CP1152 & CP1153	445	9	5/8	18	28	4 3/8	6	6 13/16	15	4 1/2	6 3/4	6 13/16	14	7 1/2	11 1/4	6 13/16	10	4	6	6 13/16
18'-5"	2	1.156	CP1152 & CP1153	445	9	5/8	18	36	4 3/8	8	6 13/16	14	4 1/2	6 3/4	6 13/16	12	7 1/2	11 1/4	6 13/16	9	4	6	6 13/16
19'-5"	2	1.156	CP1152 & CP1153	445	8	5/8	18	28	4 3/8	8	6 13/16	12	4 1/2	6 3/4	6 13/16	11	7 1/2	11 1/4	6 13/16	8	4	6	6 13/16
20'-5"	2	1.156	CP1152 & CP1153	445	8	5/8	18	N/A				11	4 1/2	6 3/4	6 13/16	N/A				7	4	6	6 13/16
21'-5"	2	1.156	CP1152 & CP1153	546	7	5/8	18	N/A				10	4 1/2	6 3/4	6 7/8	N/A				9	5	7 1/2	6 7/8
22'-5"	2	1.156	CP1152 & CP1153	546	7	5/8	18	N/A				10	4 1/2	6 3/4	6 7/8	N/A				8	5	7 1/2	6 7/8
23'-5"	2	1.156	CP1152 & CP1153	546	7	5/8	18	N/A				9	4 1/2	6 3/4	6 7/8	N/A				8	5	7 1/2	6 7/8
24'-5"	2	1.156	CP1152 & CP1153	546	7	5/8	17	N/A				8	4 1/2	6 3/4	6 7/8	N/A				7	5	7 1/2	6 7/8
25'-5"	2	1.156	CP1152 & CP1153	546	6	5/8	16	N/A				8	4 1/2	6 3/4	6 7/8	N/A				N/A			
26'-5"	2	1.156	CP1152 & CP1153	546	6	5/8	15	N/A				7	4 1/2	6 3/4	6 7/8	N/A				N/A			
27'-5"	2	1.156	CP1152 & CP1153	546	6	5/8	14	N/A				7	4 1/2	6 3/4	6 7/8	N/A				N/A			
28'-5"	2 1/2	1.656	CP1152 & CP1153	648	6	3/4	18	N/A				10	5	7 1/2	7 1/2	11	6 5/8	9 15/16	7 1/2	N/A			
29'-5"	2 1/2	1.656	CP1152 & CP1153	648	6	3/4	18	N/A				9	5	7 1/2	7 1/2	10	6 5/8	9 15/16	7 1/2	N/A			
30'-5"	2 1/2	1.656	CP1152 & CP1153	648	6	3/4	18	N/A				9	5	7 1/2	7 1/2	10	6 5/8	9 15/16	7 1/2	N/A			
31'-5"	2 1/2	1.656	CP1152 & CP1153	648	6	3/4	18	N/A				8	5	7 1/2	7 1/2	8	6 5/8	9 15/16	7 1/2	N/A			
32'-5"	2 1/2	1.656	CP1152 & CP1153	648	6	3/4	18	N/A				8	5	7 1/2	7 1/2	7	6 5/8	9 15/16	7 1/2	N/A			
33'-5"	2 1/2	1.656	CP1152 & CP1153	648	6	3/4	18	N/A				7	5	7 1/2	7 1/2	5	6 5/8	9 15/16	7 1/2	N/A			
34'-5"	2 1/2	1.656	CP1152 & CP1153	648	5	3/4	17	N/A				7	5	7 1/2	7 1/2	N/A				N/A			



	24 ELMWOOD AVE 1901 S. LITCHFIELD RD MOUNTAINTOP, PA GOODYEAR, AZ		Unless otherwise specified, dimensions are in inches & tolerances are:  0.000 = +/- 0.031 FRACTIONAL = +/- 1/32 ANGLES = +/- 1/2 DEG	
	P: 800.390.8590 F: 866.448.6798 E: ADS@COOKSONDOOR.COM		TITLE: WIND LOAD CONFIGURATION NON-INSULATED ROLLING STEEL DOOR CP0020 SLAT IMPACT RATED	DRAWN BY: TJE DWG NO: ES-16-61-TCCI

L'TR	REVISION	DATE	BY	E.C.O.
*	ORIGINAL ISSUE	10/15/14	TJE	1615
A	REFORMATTED TABLES; HOOD SUPPORT UPDATE	02/14/20	MAN	2027

CP0020 - 0.0296 Minimum Thickness Galvanized or Stainless Steel - 40 PSF, Cont.																																				
DBG Up To	Filled CMU									Cracked Concrete Minimum 3,000 PSI Compressive Strength															Steel (Wall anchors are the same diameter as assembly fasteners)			Superimposed Loads								
	Hilti Kwik Bolt 3			Simpson Strong-Bolt 2			Through Bolt			Hilti Kwik Bolt TZ					Simpson Strong-Bolt 2					ITW Redhead Trubolt+					Welded		Through Bolt	Tapped		Vx (+)	Vy (+)	Vx (-)	Vy (-)			
	Max O.C.	Dia.	Embed	Edge Dist	Max O.C.	Dia.	Embed	Edge Dist	Max. O.C.	Dia.	Edge Distance	Max O.C.	Dia.	Embed.	Min Wall Thick.	Edge Dist	Max O.C.	Dia.	Embed.	Min Wall Thick.	Edge Dist	Max O.C.	Dia.	Embed.	Min Wall Thick.	Edge Dist	Max O.C.	Slot Size	Max O.C.					Max O.C.	Min. Thickness	
6'-5"	9	3/8	2 1/2	5 3/16	8	1/2	3 1/2	5 3/16	17	3/8	5 3/16	36	1/2	3 5/8	6	5 3/16	36	3/8	2 7/8	4 1/2	5 3/16	36	1/2	2 1/2	4	5 3/4	36	7/16 x 5/8	36	36	3/16	0	130	0	129	
6'-5"	10	1/2	3 1/2	5 3/4	15	3/4	5 1/4	5 3/4	34	1/2	5 3/4	36	1/2	3 5/8	6	5 3/4	36	1/2	2 3/4	4 1/2	5 3/4	36	1/2	2 1/2	4	5 3/4	36	9/16 x 3/4	36	36	1/4	0	130	0	129	
13'-5"	N/A			N/A			N/A			N/A					N/A					N/A					N/A		N/A		N/A		N/A					
13'-5"	N/A			N/A			N/A			N/A					N/A					N/A					N/A		N/A		N/A		N/A		N/A			
14'-5"	N/A			N/A			N/A			N/A					N/A					N/A					N/A		N/A		N/A		N/A		N/A			
14'-5"	N/A			N/A			N/A			N/A					N/A					N/A					N/A		N/A		N/A		N/A		N/A			
15'-5"	N/A			N/A			N/A			N/A					N/A					N/A					N/A		N/A		N/A		N/A		N/A			
16'-5"	N/A			N/A			N/A			N/A					N/A					N/A					N/A		N/A		N/A		N/A		N/A			
17'-5"	N/A			N/A			N/A			N/A					N/A					N/A					N/A		N/A		N/A		N/A		N/A			
18'-5"	N/A			N/A			N/A			N/A					N/A					N/A					N/A		N/A		N/A		N/A		N/A			
19'-5"	N/A			N/A			N/A			N/A					N/A					N/A					N/A		N/A		N/A		N/A		N/A			
20'-5"	N/A			N/A			N/A			N/A					N/A					N/A					N/A		N/A		N/A		N/A		N/A			
21'-5"	N/A			N/A			N/A			N/A					N/A					N/A					N/A		N/A		N/A		N/A		N/A			
22'-5"	N/A			N/A			N/A			N/A					N/A					N/A					N/A		N/A		N/A		N/A		N/A			
23'-5"	N/A			N/A			N/A			N/A					N/A					N/A					N/A		N/A		N/A		N/A		N/A			
24'-5"	N/A			N/A			N/A			N/A					N/A					N/A					N/A		N/A		N/A		N/A		N/A			
25'-5"	N/A			N/A			N/A			N/A					N/A					N/A					N/A		N/A		N/A		N/A		N/A			
26'-5"	N/A			N/A			N/A			N/A					N/A					N/A					N/A		N/A		N/A		N/A		N/A			
27'-5"	N/A			N/A			N/A			N/A					N/A					N/A					N/A		N/A		N/A		N/A		N/A			
28'-5"	N/A			N/A			N/A			N/A					N/A					N/A					N/A		N/A		N/A		N/A		N/A			
29'-5"	N/A			N/A			N/A			N/A					N/A					N/A					N/A		N/A		N/A		N/A		N/A			
30'-5"	N/A			N/A			N/A			N/A					N/A					N/A					N/A		N/A		N/A		N/A		N/A			
31'-5"	N/A			N/A			N/A			N/A					N/A					N/A					N/A		N/A		N/A		N/A		N/A			
32'-5"	N/A			N/A			N/A			N/A					N/A					N/A					N/A		N/A		N/A		N/A		N/A			
33'-5"	N/A			N/A			N/A			N/A					N/A					N/A					N/A		N/A		N/A		N/A		N/A			
34'-5"	N/A			N/A			N/A			N/A					N/A					N/A					N/A		N/A		N/A		N/A		N/A			



	24 ELMWOOD AVE 1901 S. LITCHFIELD RD MOUNTAINTOP, PA GOODYEAR, AZ	Unless otherwise specified, dimensions are in inches & tolerances are:  0.000 = +/- 0.031 FRACTIONAL = +/- 1/32 ANGLES = +/- 1/2 DEG
	P: 800.390.8590 F: 866.448.6798 E: ADS@COOKSONDOOR.COM	TITLE: WIND LOAD CONFIGURATION NON-INSULATED ROLLING STEEL DOOR CP0020 SLAT IMPACT RATED



L'TR	REVISION	DATE	BY	E.C.O.
*	ORIGINAL ISSUE	10/15/14	TJE	1615
A	REFORMATTED TABLES; HOOD SUPPORT UPDATE	02/14/20	MAN	2027

CP0020 - 0.0296 Minimum Thickness Galvanized or Stainless Steel - 50 PSF																							
Concrete Minimum 3,000 PSI Compressive Strength (Anchors are the same diameter as assembly fasteners)																							
DBG Up To	Windlock Flat Location	Slip	Windlock	Guide Assembly	Windlock Weld Pitch	Assembly Fastener Diameter	Assembly Fastener Spacing	Hilti Kwik Bolt 3				Simpson Wedge All				Red Head Tru-Bolt				Powers Wedge-Bolt			
								Max O.C.	Embed	Min. Wall Thick.	Edge Dist	Max O.C.	Embed	Min. Wall Thick.	Edge Dist	Max O.C.	Embed	Min. Wall Thick.	Edge Dist	Max O.C.	Embed	Min. Wall Thick.	Edge Dist
5'-5"	1 1/2	0.656	CP1152 & CP1153	333	12	3/8	18	36	2 3/8	4	5 3/16	16	2 5/8	3 15/16	5 3/16	17	3	4 1/2	5 3/16	13	2	3	5 3/16
5'-5"	1 1/2	0.656	CP1152 & CP1153	344	12	1/2	18	36	2 1/4	4	5 3/4	32	4 1/2	6 3/4	5 3/4	23	4 1/8	6 3/16	5 3/4	25	3 1/2	5 1/4	5 3/4
14'-5"	1 1/2	0.656	CP1152 & CP1153	DC1	8	1/2	12	8	3 1/2	5 1/4	5 3/4	8	4 1/2	6 3/4	5 3/4	N/A				N/A			
15'-5"	1 5/8	0.781	CP1152 & CP1153	445	8	5/8	18	28	4 3/8	8	6 13/16	12	4 1/2	6 3/4	6 13/16	11	7 1/2	11 1/4	6 13/16	8	4	6	6 13/16
16'-5"	1 3/4	0.906	CP1152 & CP1153	445	8	5/8	18	22	4 3/8	8	6 13/16	12	4 1/2	6 3/4	6 13/16	N/A				7	4	6	6 13/16
17'-5"	2	1.156	CP1152 & CP1153	445	8	5/8	18	22	4 3/8	8	6 13/16	12	4 1/2	6 3/4	6 13/16	N/A				7	4	6	6 13/16
18'-5"	2	1.156	CP1152 & CP1153	546	8	5/8	18	N/A				11	4 1/2	6 3/4	6 7/8	N/A				9	5	7 1/2	6 7/8
19'-5"	2	1.156	CP1152 & CP1153	546	7	5/8	18	N/A				10	4 1/2	6 3/4	6 7/8	N/A				8	5	7 1/2	6 7/8
20'-5"	2	1.156	CP1152 & CP1153	546	7	5/8	18	N/A				9	4 1/2	6 3/4	6 7/8	N/A				8	5	7 1/2	6 7/8
21'-5"	2	1.156	CP1152 & CP1153	546	7	5/8	16	N/A				8	4 1/2	6 3/4	6 7/8	N/A				7	5	7 1/2	6 7/8
22'-5"	2	1.156	CP1152 & CP1153	546	6	5/8	15	N/A				8	4 1/2	6 3/4	6 7/8	N/A				N/A			
23'-5"	2	1.156	CP1152 & CP1153	546	6	5/8	14	N/A				7	4 1/2	6 3/4	6 7/8	N/A				N/A			
25'-5"	2 1/2	1.656	CP1152 & CP1153	DC2	6	3/4	15	11	4 3/4	7 1/8	7 1/2	11	5	7 1/2	7 1/2	N/A				N/A			
26'-5"	2 1/2	1.656	CP1152 & CP1153	648	6	3/4	18	N/A				8	5	7 1/2	7 1/2	9	6 5/8	9 15/16	7 1/2	N/A			
27'-5"	2 1/2	1.656	CP1152 & CP1153	648	6	3/4	18	N/A				8	5	7 1/2	7 1/2	7	6 5/8	9 15/16	7 1/2	N/A			
28'-5"	2 1/2	1.656	CP1152 & CP1153	648	6	3/4	18	N/A				8	5	7 1/2	7 1/2	6	6 5/8	9 15/16	7 1/2	N/A			
29'-5"	2 1/2	1.656	CP1152 & CP1153	648	6	3/4	17	N/A				7	5	7 1/2	7 1/2	N/A				N/A			
30'-5"	2 1/2	1.656	CP1152 & CP1153	648	5	3/4	16	N/A				7	5	7 1/2	7 1/2	N/A				N/A			

CP0020 - 0.0296 Minimum Thickness Galvanized or Stainless Steel - 50 PSF, Cont.																				
DBG Up To	Filled CMU								Steel (Wall anchors are the same diameter as assembly fasteners)						Superimposed Loads					
	Hilti Kwik Bolt 3				Simpson Strong-Bolt 2				Through Bolt			Welded		Through Bolt	Tapped		Vx (+)	Vy (+)	Vx (-)	Vy (-)
	Max O.C.	Dia.	Embed	Edge Dist	Max O.C.	Dia.	Embed	Edge Dist	Max. O.C.	Dia.	Edge Distance	Max O.C.	Slot Size	Max O.C.	Max O.C.	Min. Thickness				
5'-5"	9	3/8	2 1/2	5 3/16	15	3/4	5 1/4	5 3/16	16	3/8	5 3/16	36	7/16 x 5/8	36	36	3/16	0	137	0	136
5'-5"	10	1/2	3 1/2	5 3/4	14	3/4	5 1/4	5 3/4	32	1/2	5 3/4	36	9/16 x 3/4	36	36	1/4	0	138	0	136
14'-5"	N/A				N/A				8	1/2	5 3/4	12	9/16 x 3/4	12	12	1/4	1413	363	1395	363
15'-5"	N/A				N/A				12	5/8	6 13/16	33	11/16 x 7/8	33	18	5/16	1476	387	1458	388
16'-5"	N/A				N/A				12	5/8	6 13/16	32	11/16 x 7/8	32	17	5/16	1538	412	1522	413
17'-5"	N/A				N/A				12	5/8	6 13/16	32	11/16 x 7/8	32	18	5/16	1498	435	1485	437
18'-5"	N/A				N/A				11	5/8	6 7/8	28	11/16 x 7/8	28	15	5/16	1668	461	1656	462
19'-5"	N/A				N/A				10	5/8	6 7/8	25	11/16 x 7/8	25	14	5/16	1839	486	1826	488
20'-5"	N/A				N/A				9	5/8	6 7/8	23	11/16 x 7/8	23	12	5/16	2011	512	1999	513
21'-5"	N/A				N/A				8	5/8	6 7/8	21	11/16 x 7/8	21	11	5/16	2185	537	2172	539
22'-5"	N/A				N/A				8	5/8	6 7/8	19	11/16 x 7/8	19	11	5/16	2361	563	2348	564
23'-5"	N/A				N/A				7	5/8	6 7/8	18	11/16 x 7/8	18	10	5/16	2539	588	2526	590
25'-5"	N/A				N/A				8	3/4	7 1/2	15	13/16 x 1	15	15	3/8	2398	636	2387	636
26'-5"	N/A				N/A				8	3/4	7 1/2	34	13/16 x 1	34	18	3/8	2555	662	2543	662
27'-5"	N/A				N/A				8	3/4	7 1/2	32	13/16 x 1	32	17	3/8	2712	687	2700	688
28'-5"	N/A				N/A				8	3/4	7 1/2	30	13/16 x 1	30	16	3/8	2872	713	2860	714
29'-5"	N/A				N/A				7	3/4	7 1/2	29	13/16 x 1	29	15	3/8	3034	739	3022	739
30'-5"	N/A				N/A				7	3/4	7 1/2	27	13/16 x 1	27	15	3/8	3198	764	3186	765



	24 ELMWOOD AVE 1901 S. LITCHFIELD RD MOUNTAINTOP, PA GOODYEAR, AZ	Unless otherwise specified, dimensions are in inches & tolerances are:  0.000 = +/- 0.031 FRACTIONAL = +/- 1/32 ANGLES = +/- 1/2 DEG
	P: 800.390.8590 F: 866.448.6798 E: ADS@COOKSONDOOR.COM	TITLE: WIND LOAD CONFIGURATION NON-INSULATED ROLLING STEEL DOOR CP0020 SLAT IMPACT RATED

L'TR	REVISION	DATE	BY	E.C.O.
*	ORIGINAL ISSUE	10/15/14	TJE	1615
A	REFORMATTED TABLES; HOOD SUPPORT UPDATE	02/14/20	MAN	2027

CP0020 - 0.0296 Minimum Thickness Galvanized or Stainless Steel - 60 PSF																							
Concrete Minimum 3,000 PSI Compressive Strength (Anchors are the same diameter as assembly fasteners)																							
DBG Up To	Windlock Flat Location	Slip	Windlock	Guide Assembly	Windlock Weld Pitch	Assembly Fastener Diameter	Assembly Fastener Spacing	Hilti Kwik Bolt 3				Simpson Wedge All				Red Head Tru-Bolt				Powers Wedge-Bolt			
								Max O.C.	Embed	Min. Wall Thick.	Edge Dist	Max O.C.	Embed	Min. Wall Thick.	Edge Dist	Max O.C.	Embed	Min. Wall Thick.	Edge Dist	Max O.C.	Embed	Min. Wall Thick.	Edge Dist
5'-5"	1 1/2	0.656	CP1152 & CP1153	333	12	3/8	18	36	2 3/8	4	5 3/16	13	2 5/8	3 15/16	5 3/16	14	3	4 1/2	5 3/16	10	2	3	5 3/16
5'-5"	1 1/2	0.656	CP1152 & CP1153	344	12	1/2	18	19	2 1/4	4	5 3/4	27	4 1/2	6 3/4	5 3/4	19	4 1/8	6 3/16	5 3/4	21	3 1/2	5 1/4	5 3/4
14'-5"	1 1/2	0.656	CP1152 & CP1153	DC1	8	1/2	12	8	3 1/2	5 1/4	5 3/4	8	4 1/2	6 3/4	5 3/4								
15'-5"	1 5/8	0.781	CP1152 & CP1153	546	7	5/8	18					10	4 1/2	6 3/4	6 7/8								
16'-5"	1 3/4	0.906	CP1152 & CP1153	546	7	5/8	18					10	4 1/2	6 3/4	6 7/8								
17'-5"	2	1.156	CP1152 & CP1153	546	7	5/8	18					10	4 1/2	6 3/4	6 7/8								
18'-5"	2	1.156	CP1152 & CP1153	546	7	5/8	17					9	4 1/2	6 3/4	6 7/8								
19'-5"	2	1.156	CP1152 & CP1153	546	6	5/8	16					8	4 1/2	6 3/4	6 7/8								
20'-5"	2	1.156	CP1152 & CP1153	546	6	5/8	14					7	4 1/2	6 3/4	6 7/8								
21'-5"	2	1.156	CP1152 & CP1153	546	6	5/8	13					7	4 1/2	6 3/4	6 7/8								
25'-5"	2 1/2	1.656	CP1152 & CP1153	DC2	6	3/4	15	11	4 3/4	7 1/8	7 1/2	11	5	7 1/2	7 1/2								
26'-5"	2 1/2	1.656	CP1152 & CP1153	648	5	3/4	16					7	5	7 1/2	7 1/2								

CP0020 - 0.0296 Minimum Thickness Galvanized or Stainless Steel - 60 PSF, Cont.																					
DBG Up To	Filled CMU											Steel (Wall anchors are the same diameter as assembly fasteners)						Superimposed Loads			
	Hilti Kwik Bolt 3				Simpson Strong-Bolt 2				Through Bolt			Welded		Through Bolt	Tapped		Vx (+)	Vy (+)	Vx (-)	Vy (-)	
	Max O.C.	Dia.	Embed	Edge Dist	Max O.C.	Dia.	Embed	Edge Dist	Max O.C.	Dia.	Edge Distance	Max O.C.	Slot Size	Max O.C.	Min. Thickness						
5'-5"	9	1/2	3 1/2	5 3/16	12	3/4	5 1/4	5 3/16	13	3/8	5 3/16	36	7/16 x 5/8	36	36	3/16	0	165	0	163	
5'-5"	8	1/2	3 1/2	5 3/4	11	3/4	5 1/4	5 3/4	27	1/2	5 3/4	36	9/16 x 3/4	36	36	1/4	0	165	0	163	
14'-5"		N/A				N/A			8	1/2	5 3/4	12	9/16 x 3/4	12	12	1/4	1756	436	1735	436	
15'-5"		N/A				N/A			10	5/8	6 7/8	25	11/16 x 7/8	25	14	5/16	1825	465	1804	466	
16'-5"		N/A				N/A			10	5/8	6 7/8	24	11/16 x 7/8	24	13	5/16	1892	494	1874	496	
17'-5"		N/A				N/A			10	5/8	6 7/8	25	11/16 x 7/8	25	14	5/16	1839	523	1825	525	
18'-5"		N/A				N/A			9	5/8	6 7/8	23	11/16 x 7/8	23	12	5/16	2039	553	2024	555	
19'-5"		N/A				N/A			8	5/8	6 7/8	20	11/16 x 7/8	20	11	5/16	2240	584	2226	586	
20'-5"		N/A				N/A			7	5/8	6 7/8	19	11/16 x 7/8	19	10	5/16	2444	614	2429	616	
21'-5"		N/A				N/A			7	5/8	6 7/8	17	11/16 x 7/8	17	9	5/16	2649	645	2634	647	
25'-5"		N/A				N/A			8	3/4	7 1/2	15	13/16 x 1	15	15	3/8	2898	764	2883	765	
26'-5"		N/A				N/A			7	3/4	7 1/2	28	13/16 x 1	28	15	3/8	3083	795	3069	796	



	24 ELMWOOD AVE 1901 S. LITCHFIELD RD MOUNTAINTOP, PA GOODYEAR, AZ	Unless otherwise specified, dimensions are in inches & tolerances are:  0.000 = +/- 0.031 FRACTIONAL = +/- 1/32 ANGLES = +/- 1/2 DEG
	P: 800.390.8590 F: 866.448.6798 E: ADS@COOKSONDOOR.COM	TITLE: WIND LOAD CONFIGURATION NON-INSULATED ROLLING STEEL DOOR CP0020 SLAT IMPACT RATED

L'TR	REVISION	DATE	BY	E.C.O.
*	ORIGINAL ISSUE	10/15/14	TJE	1615
A	REFORMATTED TABLES; HOOD SUPPORT UPDATE	02/14/20	MAN	2027

CP0020 - 0.0296 Minimum Thickness Galvanized or Stainless Steel - 65 PSF																							
Concrete Minimum 3,000 PSI Compressive Strength (Anchors are the same diameter as assembly fasteners)																							
DBG Up To	Windlock Flat Location	Slip	Windlock	Guide Assembly	Windlock Weld Pitch	Assembly Fastener Diameter	Assembly Fastener Spacing	Hilti Kwik Bolt 3				Simpson Wedge All				Red Head Tru-Bolt				Powers Wedge-Bolt			
								Max O.C.	Embed	Min. Wall Thick.	Edge Dist	Max O.C.	Embed	Min. Wall Thick.	Edge Dist	Max O.C.	Embed	Min. Wall Thick.	Edge Dist	Max O.C.	Embed	Min. Wall Thick.	Edge Dist
4'-5"	1 1/2	0.656	CP1152 & CP1153	333	12	3/8	18	36	2 3/8	4	5 3/16	15	2 5/8	3 15/16	5 3/16	16	3	4 1/2	5 3/16	16	2 1/2	3 3/4	5 3/16
4'-5"	1 1/2	0.656	CP1152 & CP1153	344	12	1/2	18	36	2 1/4	4	5 3/4	30	4 1/2	6 3/4	5 3/4	22	4 1/8	6 3/16	5 3/4	24	3 1/2	5 1/4	5 3/4
14'-5"	1 1/2	0.656	CP1152 & CP1153	DC1	8	1/2	12	8	3 1/2	5 1/4	5 3/4	8	4 1/2	6 3/4	5 3/4	N/A				N/A			
15'-5"	1 5/8	0.781	CP1152 & CP1153	546	7	5/8	18	N/A				9	4 1/2	6 3/4	6 7/8	N/A				8	5	7 1/2	6 7/8
16'-5"	1 3/4	0.906	CP1152 & CP1153	546	7	5/8	17	N/A				9	4 1/2	6 3/4	6 7/8	N/A				8	5	7 1/2	6 7/8
17'-5"	2	1.156	CP1152 & CP1153	546	7	5/8	17	N/A				9	4 1/2	6 3/4	6 7/8	N/A				8	5	7 1/2	6 7/8
18'-5"	2	1.156	CP1152 & CP1153	546	7	5/8	16	N/A				8	4 1/2	6 3/4	6 7/8	N/A				N/A			
19'-5"	2	1.156	CP1152 & CP1153	546	6	5/8	14	N/A				7	4 1/2	6 3/4	6 7/8	N/A				N/A			
20'-5"	2	1.156	CP1152 & CP1153	546	6	5/8	13	N/A				7	4 1/2	6 3/4	6 7/8	N/A				N/A			
25'-5"	2 1/2	1.656	CP1152 & CP1153	DC2	6	3/4	15	11	4 3/4	7 1/8	7 1/2	11	5	7 1/2	7 1/2	N/A				N/A			

CP0020 - 0.0296 Minimum Thickness Galvanized or Stainless Steel - 65 PSF, Cont.																				
DBG Up To	Filled CMU											Steel (Wall anchors are the same diameter as assembly fasteners)					Superimposed Loads			
	Hilti Kwik Bolt 3				Simpson Strong-Bolt 2				Through Bolt			Welded		Through Bolt	Tapped		Vx (+)	Vy (+)	Vx (-)	Vy (-)
	Max O.C.	Dia.	Embed	Edge Dist	Max O.C.	Dia.	Embed	Edge Dist	Max O.C.	Dia.	Edge Distance	Max O.C.	Slot Size	Max O.C.	Max O.C.	Min. Thickness				
4'-5"	8	3/8	2 1/2	5 3/16	14	3/4	5 1/4	5 3/16	15	3/8	5 3/16	36	7/16 x 5/8	36	36	3/16	0	146	0	144
4'-5"	9	1/2	3 1/2	5 3/4	13	3/4	5 1/4	5 3/4	30	1/2	5 3/4	36	9/16 x 3/4	36	36	1/4	0	147	0	144
14'-5"	N/A				N/A				8	1/2	5 3/4	12	9/16 x 3/4	12	12	1/4	1928	473	1906	473
15'-5"	N/A				N/A				9	5/8	6 7/8	23	11/16 x 7/8	23	13	5/16	2000	504	1977	506
16'-5"	N/A				N/A				9	5/8	6 7/8	22	11/16 x 7/8	22	12	5/16	2070	536	2050	538
17'-5"	N/A				N/A				9	5/8	6 7/8	23	11/16 x 7/8	23	12	5/16	2010	566	1994	568
18'-5"	N/A				N/A				8	5/8	6 7/8	21	11/16 x 7/8	21	11	5/16	2224	599	2209	602
19'-5"	N/A				N/A				7	5/8	6 7/8	19	11/16 x 7/8	19	10	5/16	2441	633	2425	635
20'-5"	N/A				N/A				7	5/8	6 7/8	17	11/16 x 7/8	17	9	5/16	2660	666	2644	668
25'-5"	N/A				N/A				8	3/4	7 1/2	15	13/16 x 1	15	15	3/8	3147	828	3132	829



	24 ELMWOOD AVE 1901 S. LITCHFIELD RD MOUNTAINTOP, PA GOODYEAR, AZ	Unless otherwise specified, dimensions are in inches & tolerances are:  0.000 = +/- 0.031 FRACTIONAL = +/- 1/32 ANGLES = +/- 1/2 DEG
	P: 800.390.8590 F: 866.448.6798 E: ADS@COOKSONDOOR.COM	TITLE: WIND LOAD CONFIGURATION NON-INSULATED ROLLING STEEL DOOR CP0020 SLAT IMPACT RATED

L/TR	REVISION	DATE	BY	E.C.O.
*	ORIGINAL ISSUE	10/15/14	TJE	1615
A	REFORMATTED TABLES; HOOD SUPPORT UPDATE	02/14/20	MAN	2027

CP0020 - 0.0296 Minimum Thickness Galvanized or Stainless Steel - 70 PSF																							
Concrete Minimum 3,000 PSI Compressive Strength (Anchors are the same diameter as assembly fasteners)																							
DBG Up To	Windlock Flat Location	Slip	Windlock	Guide Assembly	Windlock Weld Pitch	Assembly Fastener Diameter	Assembly Fastener Spacing	Hilti Kwik Bolt 3				Simpson Wedge All				Red Head Tru-Bolt				Powers Wedge-Bolt			
								Max O.C.	Embed	Min. Wall Thick.	Edge Dist	Max O.C.	Embed	Min. Wall Thick.	Edge Dist	Max O.C.	Embed	Min. Wall Thick.	Edge Dist	Max O.C.	Embed	Min. Wall Thick.	Edge Dist
4'-5"	1 1/2	0.656	CP1152 & CP1153	333	12	3/8	18	36	2 3/8	4	5 3/16	14	2 5/8	3 15/16	5 3/16	14	3	4 1/2	5 3/16	11	2	3	5 3/16
4'-5"	1 1/2	0.656	CP1152 & CP1153	344	12	1/2	18	28	2 1/4	4	5 3/4	28	4 1/2	6 3/4	5 3/4	20	4 1/8	6 3/16	5 3/4	22	3 1/2	5 1/4	5 3/4
14'-5"	1 1/2	0.656	CP1152 & CP1153	546	7	5/8	18					9	4 1/2	6 3/4	6 7/8					7	5	7 1/2	6 7/8
15'-5"	1 5/8	0.781	CP1152 & CP1153	546	7	5/8	17					8	4 1/2	6 3/4	6 7/8					7	5	7 1/2	6 7/8
16'-5"	1 3/4	0.906	CP1152 & CP1153	546	6	5/8	16					8	4 1/2	6 3/4	6 7/8								
17'-5"	2	1.156	CP1152 & CP1153	546	7	5/8	16					8	4 1/2	6 3/4	6 7/8								
18'-5"	2	1.156	CP1152 & CP1153	546	6	5/8	14					7	4 1/2	6 3/4	6 7/8								
19'-5"	2	1.156	CP1152 & CP1153	546	6	5/8	13					7	4 1/2	6 3/4	6 7/8								
20'-5"	2 1/2	1.656	CP1152 & CP1153	648	6	3/4	18					9	5	7 1/2	7 1/2	10	6 5/8	9 15/16	7 1/2				
21'-5"	2 1/2	1.656	CP1152 & CP1153	648	6	3/4	18					8	5	7 1/2	7 1/2	8	6 5/8	9 15/16	7 1/2				
22'-5"	2 1/2	1.656	CP1152 & CP1153	648	6	3/4	18					8	5	7 1/2	7 1/2	6	6 5/8	9 15/16	7 1/2				
23'-5"	2 1/2	1.656	CP1152 & CP1153	648	6	3/4	17					7	5	7 1/2	7 1/2	5	6 5/8	9 15/16	7 1/2				
24'-5"	2 1/2	1.656	CP1152 & CP1153	648	5	3/4	16					7	5	7 1/2	7 1/2								

CP0020 - 0.0296 Minimum Thickness Galvanized or Stainless Steel - 70 PSF, Cont.																					
DBG Up To	Filled CMU											Steel (Wall anchors are the same diameter as assembly fasteners)						Superimposed Loads			
	Hilti Kwik Bolt 3				Simpson Strong-Bolt 2				Through Bolt			Welded		Through Bolt	Tapped						
	Max O.C.	Dia.	Embed	Edge Dist	Max O.C.	Dia.	Embed	Edge Dist	Max. O.C.	Dia.	Edge Distance	Max O.C.	Slot Size	Max O.C.	Max O.C.	Min. Thickness	Vx (+)	Vy (+)	Vx (-)	Vy (-)	
4'-5"	8	3/8	2 1/2	5 3/16	13	3/4	5 1/4	5 3/16	14	3/8	5 3/16	36	7/16 x 5/8	36	36	3/16	0	157	0	155	
4'-5"	8	1/2	3 1/2	5 3/4	12	3/4	5 1/4	5 3/4	28	1/2	5 3/4	36	9/16 x 3/4	36	36	1/4	0	158	0	155	
14'-5"		N/A				N/A			9	5/8	6 7/8	22	11/16 x 7/8	22	12	5/16	2112	508	2084	510	
15'-5"		N/A				N/A			8	5/8	6 7/8	21	11/16 x 7/8	21	11	5/16	2174	543	2150	545	
16'-5"		N/A				N/A			8	5/8	6 7/8	20	11/16 x 7/8	20	11	5/16	2247	577	2226	579	
17'-5"		N/A				N/A			8	5/8	6 7/8	21	11/16 x 7/8	21	11	5/16	2180	610	2164	612	
18'-5"		N/A				N/A			7	5/8	6 7/8	19	11/16 x 7/8	19	10	5/16	2410	646	2393	648	
19'-5"		N/A				N/A			7	5/8	6 7/8	17	11/16 x 7/8	17	9	5/16	2642	682	2625	684	
20'-5"		N/A				N/A			9	3/4	7 1/2	36	13/16 x 1	36	20	3/8	2367	714	2352	715	
21'-5"		N/A				N/A			8	3/4	7 1/2	34	13/16 x 1	34	18	3/8	2568	750	2552	750	
22'-5"		N/A				N/A			8	3/4	7 1/2	31	13/16 x 1	31	17	3/8	2771	785	2755	786	
23'-5"		N/A				N/A			7	3/4	7 1/2	29	13/16 x 1	29	16	3/8	2976	821	2961	822	
24'-5"		N/A				N/A			7	3/4	7 1/2	27	13/16 x 1	27	15	3/8	3185	857	3169	858	



	24 ELMWOOD AVE 1901 S. LITCHFIELD RD MOUNTAINTOP, PA GOODYEAR, AZ	Unless otherwise specified, dimensions are in inches & tolerances are:  0.000 = +/- 0.031 FRACTIONAL = +/- 1/32 ANGLES = +/- 1/2 DEG
	P: 800.390.8590 F: 866.448.6798 E: ADS@COOKSONDOOR.COM	TITLE: WIND LOAD CONFIGURATION NON-INSULATED ROLLING STEEL DOOR CP0020 SLAT IMPACT RATED

L/TR	REVISION	DATE	BY	E.C.O.
*	ORIGINAL ISSUE	10/15/14	TJE	1615
A	REFORMATTED TABLES; HOOD SUPPORT UPDATE	02/14/20	MAN	2027

CP0020 - 0.0296 Minimum Thickness Galvanized or Stainless Steel - 80 PSF																								
Concrete Minimum 3,000 PSI Compressive Strength (Anchors are the same diameter as assembly fasteners)																								
DBG Up To	Windlock Flat Location	Slip	Windlock	Guide Assembly	Windlock Weld Pitch	Assembly Fastener Diameter	Assembly Fastener Spacing	Hilti Kwik Bolt 3				Simpson Wedge All				Red Head Tru-Bolt				Powers Wedge-Bolt				
								Max O.C.	Embed	Min. Wall Thick.	Edge Dist	Max O.C.	Embed	Min. Wall Thick.	Edge Dist	Max O.C.	Embed	Min. Wall Thick.	Edge Dist	Max O.C.	Embed	Min. Wall Thick.	Edge Dist	
4'-5"	1 1/2	0.656	CP1152 & CP1153	333	12	3/8	18	28	2 3/8	4	5 3/16	12	2 5/8	3 15/16	5 3/16	13	3	4 1/2	5 3/16	13	2 1/2	3 3/4	5 3/16	
4'-5"	1 1/2	0.656	CP1152 & CP1153	344	12	1/2	18	6	2 1/4	4	5 3/4	25	4 1/2	6 3/4	5 3/4	18	4 1/8	6 3/16	5 3/4	19	3 1/2	5 1/4	5 3/4	
14'-5"	1 1/2	0.656	CP1152 & CP1153	546	6	5/8	15	N/A				7	4 1/2	6 3/4	6 7/8	N/A				N/A				
15'-5"	1 5/8	0.781	CP1152 & CP1153	546	6	5/8	15	N/A				7	4 1/2	6 3/4	6 7/8	N/A				N/A				
16'-5"	1 3/4	0.906	CP1152 & CP1153	546	6	5/8	14	N/A				7	4 1/2	6 3/4	6 7/8	N/A				N/A				
17'-5"	2	1.156	CP1152 & CP1153	546	6	5/8	14	N/A				7	4 1/2	6 3/4	6 7/8	N/A				N/A				
18'-5"	2 1/8	1.281	CP1152 & CP1153	648	6	3/4	18	N/A				8	5	7 1/2	7 1/2	8	6 5/8	9 15/16	7 1/2	8	6 5/8	9 15/16	7 1/2	N/A
19'-5"	2 3/8	1.531	CP1152 & CP1153	648	6	3/4	18	N/A				8	5	7 1/2	7 1/2	8	6 5/8	9 15/16	7 1/2	8	6 5/8	9 15/16	7 1/2	N/A
20'-5"	2 1/2	1.656	CP1152 & CP1153	648	6	3/4	18	N/A				8	5	7 1/2	7 1/2	7	6 5/8	9 15/16	7 1/2	7	6 5/8	9 15/16	7 1/2	N/A
21'-5"	2 1/2	1.656	CP1152 & CP1153	648	6	3/4	16	N/A				7	5	7 1/2	7 1/2	5	6 5/8	9 15/16	7 1/2	5	6 5/8	9 15/16	7 1/2	N/A

CP0020 - 0.0296 Minimum Thickness Galvanized or Stainless Steel - 80 PSF, Cont.																				
DBG Up To	Filled CMU									Steel (Wall anchors are the same diameter as assembly fasteners)						Superimposed Loads				
	Hilti Kwik Bolt 3				Simpson Strong-Bolt 2				Through Bolt			Welded		Through Bolt	Tapped					
	Max O.C.	Dia.	Embed	Edge Dist	Max O.C.	Dia.	Embed	Edge Dist	Max O.C.	Dia.	Edge Distance	Max O.C.	Slot Size	Max O.C.	Max O.C.	Min. Thickness	Vx (+)	Vy (+)	Vx (-)	Vy (-)
4'-5"	8	1/2	3 1/2	5 3/16	11	3/4	5 1/4	5 3/16	12	3/8	5 3/16	36	7/16 x 5/8	36	36	3/16	0	180	0	177
4'-5"	8	3/4	3 1/4	5 3/4	10	3/4	5 1/4	5 3/4	25	1/2	5 3/4	36	9/16 x 3/4	36	36	1/4	0	180	0	177
14'-5"	N/A				N/A				7	5/8	6 7/8	19	11/16 x 7/8	19	10	5/16	2458	581	2427	584
15'-5"	N/A				N/A				7	5/8	6 7/8	18	11/16 x 7/8	18	10	5/16	2523	621	2496	623
16'-5"	N/A				N/A				7	5/8	6 7/8	18	11/16 x 7/8	18	10	5/16	2602	660	2578	662
17'-5"	N/A				N/A				7	5/8	6 7/8	18	11/16 x 7/8	18	10	5/16	2522	698	2503	700
18'-5"	N/A				N/A				8	3/4	7 1/2	33	13/16 x 1	33	18	3/8	2637	739	2612	740
19'-5"	N/A				N/A				8	3/4	7 1/2	33	13/16 x 1	33	18	3/8	2615	777	2596	778
20'-5"	N/A				N/A				8	3/4	7 1/2	32	13/16 x 1	32	17	3/8	2727	816	2709	817
21'-5"	N/A				N/A				7	3/4	7 1/2	29	13/16 x 1	29	16	3/8	2954	857	2936	858



	24 ELMWOOD AVE 1901 S. LITCHFIELD RD MOUNTAINTOP, PA GOODYEAR, AZ	Unless otherwise specified, dimensions are in inches & tolerances are:  0.000 = +/- 0.031 FRACTIONAL = +/- 1/32 ANGLES = +/- 1/2 DEG
	P: 800.390.8590 F: 866.448.6798 E: ADS@COOKSONDOOR.COM	TITLE: WIND LOAD CONFIGURATION NON-INSULATED ROLLING STEEL DOOR CP0020 SLAT IMPACT RATED

L/TR	REVISION	DATE	BY	E.C.O.
*	ORIGINAL ISSUE	10/15/14	TJE	1615
A	REFORMATTED TABLES; HOOD SUPPORT UPDATE	02/14/20	MAN	2027

CP0020 - 0.0296 Minimum Thickness Galvanized or Stainless Steel - 90 PSF																							
Concrete Minimum 3,000 PSI Compressive Strength (Anchors are the same diameter as assembly fasteners)																							
DBG Up To	Windlock Flat Location	Slip	Windlock	Guide Assembly	Windlock Weld Pitch	Assembly Fastener Diameter	Assembly Fastener Spacing	Hilti Kwik Bolt 3				Simpson Wedge All				Red Head Tru-Bolt				Powers Wedge-Bolt			
								Max O.C.	Embed	Min. Wall Thick.	Edge Dist	Max O.C.	Embed	Min. Wall Thick.	Edge Dist	Max O.C.	Embed	Min. Wall Thick.	Edge Dist	Max O.C.	Embed	Min. Wall Thick.	Edge Dist
4'-5"	1 1/2	0.656	CP1152 & CP1153	333	12	3/8	18	9	2 3/8	4	5 3/16	11	2 5/8	3 15/16	5 3/16	11	3	4 1/2	5 3/16	12	2 1/2	3 3/4	5 3/16
4'-5"	1 1/2	0.656	CP1152 & CP1153	344	12	1/2	18	36	3 5/8	6	5 3/4	22	4 1/2	6 3/4	5 3/4	16	4 1/8	6 3/16	5 3/4	17	3 1/2	5 1/4	5 3/4
14'-5"	1 1/2	0.656	CP1152 & CP1153	648	6	3/4	18	N/A				6	4 1/2	6 3/4	6 7/8	N/A				N/A			
15'-5"	1 5/8	0.781	CP1152 & CP1153	648	6	3/4	18	N/A				8	5	7 1/2	7 1/2	7	6 5/8	9 15/16	7 1/2	N/A			
16'-5"	1 3/4	0.906	CP1152 & CP1153	648	6	3/4	18	N/A				8	5	7 1/2	7 1/2	6	6 5/8	9 15/16	7 1/2	N/A			
17'-5"	2	1.156	CP1152 & CP1153	648	6	3/4	18	N/A				8	5	7 1/2	7 1/2	6	6 5/8	9 15/16	7 1/2	N/A			
18'-5"	2 1/8	1.281	CP1152 & CP1153	648	6	3/4	17	N/A				7	5	7 1/2	7 1/2	5	6 5/8	9 15/16	7 1/2	N/A			
19'-5"	2 3/8	1.531	CP1152 & CP1153	648	6	3/4	16	N/A				7	5	7 1/2	7 1/2	5	6 5/8	9 15/16	7 1/2	N/A			
20'-5"	2 1/2	1.656	CP1152 & CP1153	648	5	3/4	16	N/A				7	5	7 1/2	7 1/2	N/A				N/A			

CP0020 - 0.0296 Minimum Thickness Galvanized or Stainless Steel - 90 PSF, Cont.																						
DBG Up To	Filled CMU												Steel (Wall anchors are the same diameter as assembly fasteners)						Superimposed Loads			
	Hilti Kwik Bolt 3				Simpson Strong-Bolt 2				Through Bolt				Welded		Through Bolt		Tapped					
	Max O.C.	Dia.	Embed	Edge Dist	Max O.C.	Dia.	Embed	Edge Dist	Max O.C.	Dia.	Edge Distance	Max O.C.	Slot Size	Max O.C.	Max O.C.	Min. Thickness	Vx (+)	Vy (+)	Vx (-)	Vy (-)		
4'-5"	8	3/4	3 1/4	5 3/16	10	3/4	5 1/4	5 3/16	11	3/8	5 3/16	36	7/16 x 5/8	36	36	3/16	0	202	0	199		
4'-5"	12	3/4	4 3/8	5 3/4	9	3/4	5 1/4	5 3/4	22	1/2	5 3/4	36	9/16 x 3/4	36	36	1/4	0	203	0	199		
14'-5"	N/A				N/A				6	3/4	6 7/8	31	11/16 x 7/8	31	17	3/8	2819	657	2772	658		
15'-5"	N/A				N/A				8	3/4	7 1/2	30	13/16 x 1	30	16	3/8	2886	701	2845	702		
16'-5"	N/A				N/A				8	3/4	7 1/2	29	13/16 x 1	29	16	3/8	2970	745	2933	746		
17'-5"	N/A				N/A				8	3/4	7 1/2	30	13/16 x 1	30	16	3/8	2875	787	2845	788		
18'-5"	N/A				N/A				7	3/4	7 1/2	29	13/16 x 1	29	16	3/8	2989	832	2962	833		
19'-5"	N/A				N/A				7	3/4	7 1/2	29	13/16 x 1	29	16	3/8	2963	875	2941	876		
20'-5"	N/A				N/A				7	3/4	7 1/2	28	13/16 x 1	28	15	3/8	3086	919	3067	920		



	24 ELMWOOD AVE 1901 S. LITCHFIELD RD MOUNTAINTOP, PA GOODYEAR, AZ	Unless otherwise specified, dimensions are in inches & tolerances are:  0.000 = +/- 0.031 FRACTIONAL = +/- 1/32 ANGLES = +/- 1/2 DEG
	P: 800.390.8590 F: 866.448.6798 E: ADS@COOKSONDOOR.COM	TITLE: WIND LOAD CONFIGURATION NON-INSULATED ROLLING STEEL DOOR CP0020 SLAT IMPACT RATED

LTR	REVISION	DATE	BY	E.C.O.
*	ORIGINAL ISSUE	10/15/14	TJE	1615
A	REFORMATTED TABLES; HOOD SUPPORT UPDATE	02/14/20	MAN	2027

CP0020 - 0.0405 Minimum Thickness Galvanized or Stainless Steel - 20 PSF																							
Concrete Minimum 3,000 PSI Compressive Strength (Anchors are the same diameter as assembly fasteners)																							
DBG Up To	Windlock Flat Location	Slip	Windlock	Guide Assembly	Windlock Weld Pitch	Assembly Fastener Diameter	Assembly Fastener Spacing	Hilti Kwik Bolt 3				Simpson Wedge All				Red Head Tru-Bolt				Powers Wedge-Bolt			
								Max O.C.	Embed	Min. Wall Thick.	Edge Dist	Max O.C.	Embed	Min. Wall Thick.	Edge Dist	Max O.C.	Embed	Min. Wall Thick.	Edge Dist	Max O.C.	Embed	Min. Wall Thick.	Edge Dist
10'-5"	1 1/2	0.656	CP1152 & CP1153	333	12	3/8	18	36	2 3/8	4	5 3/16	21	2 5/8	3 15/16	5 3/16	22	3	4 1/2	5 3/16	17	2	3	5 3/16
10'-5"	1 1/2	0.656	CP1152 & CP1153	344	12	1/2	18	36	2 1/4	4	5 3/4	36	4 1/2	6 3/4	5 3/4	31	4 1/8	6 3/16	5 3/4	21	2 1/2	3 3/4	5 3/4
13'-5"	1 3/8	0.531	CP1152 & CP1153	333	12	3/8	18	36	2 3/8	4	5 3/16	23	2 5/8	3 15/16	5 3/16	24	3	4 1/2	5 3/16	18	2 1/2	3 3/4	5 3/16
13'-5"	1 3/8	0.531	CP1152 & CP1153	344	12	1/2	18	36	2 1/4	4	5 3/4	36	4 1/2	6 3/4	5 3/4	36	4 1/8	6 3/16	5 3/4	25	2 1/2	3 3/4	5 3/4
14'-5"	1 1/2	0.656	CP1152 & CP1153	333	12	3/8	18	36	2 3/8	4	5 3/16	18	2 5/8	3 15/16	5 3/16	18	3	4 1/2	5 3/16	11	2	3	5 3/16
14'-5"	1 1/2	0.656	CP1152 & CP1153	344	12	1/2	18	36	2 1/4	4	5 3/4	36	4 1/2	6 3/4	5 3/4	35	4 1/8	6 3/16	5 3/4	19	2 1/2	3 3/4	5 3/4
15'-5"	1 1/2	0.656	CP1152 & CP1153	333	12	3/8	18	28	2 3/8	4	5 3/16	13	2 5/8	3 15/16	5 3/16	13	3	4 1/2	5 3/16	8	2	3	5 3/16
15'-5"	1 1/2	0.656	CP1152 & CP1153	344	12	1/2	18	36	2 1/4	4	5 3/4	31	4 1/2	6 3/4	5 3/4	25	4 1/8	6 3/16	5 3/4	14	2 1/2	3 3/4	5 3/4
16'-5"	1 1/2	0.656	CP1152 & CP1153	333	12	3/8	18	N/A				10	2 5/8	3 15/16	5 3/16	10	3	4 1/2	5 3/16	6	2	3	5 3/16
16'-5"	1 1/2	0.656	CP1152 & CP1153	344	12	1/2	18	36	3 5/8	6	5 3/4	24	4 1/2	6 3/4	5 3/4	20	4 1/8	6 3/16	5 3/4	11	2 1/2	3 3/4	5 3/4
17'-5"	1 1/2	0.656	CP1152 & CP1153	334	12	3/8	16	N/A				9	2 5/8	3 15/16	5 7/16	9	3	4 1/2	5 7/16	5	2	3	5 7/16
17'-5"	1 1/2	0.656	CP1152 & CP1153	344	12	1/2	18	36	3 5/8	6	5 3/4	20	4 1/2	6 3/4	5 3/4	16	4 1/8	6 3/16	5 3/4	9	2 1/2	3 3/4	5 3/4
18'-5"	1 1/2	0.656	CP1152 & CP1153	334	12	3/8	14	N/A				8	2 5/8	3 15/16	5 7/16	8	3	4 1/2	5 7/16	5	2	3	5 7/16
18'-5"	1 1/2	0.656	CP1152 & CP1153	344	12	1/2	18	36	3 5/8	6	5 3/4	17	4 1/2	6 3/4	5 3/4	14	4 1/8	6 3/16	5 3/4	8	2 1/2	3 3/4	5 3/4
19'-5"	1 1/2	0.656	CP1152 & CP1153	334	11	3/8	12	N/A				7	2 5/8	3 15/16	5 7/16	7	3	4 1/2	5 7/16	4	2	3	5 7/16
19'-5"	1 1/2	0.656	CP1152 & CP1153	344	11	1/2	18	36	3 5/8	6	5 3/4	15	4 1/2	6 3/4	5 3/4	12	4 1/8	6 3/16	5 3/4	7	2 1/2	3 3/4	5 3/4
20'-5"	1 1/2	0.656	CP1152 & CP1153	334	10	3/8	11	N/A				6	2 5/8	3 15/16	5 7/16	6	3	4 1/2	5 7/16	4	2 1/2	3 3/4	5 7/16
20'-5"	1 1/2	0.656	CP1152 & CP1153	344	10	1/2	18	28	3 5/8	6	5 3/4	14	4 1/2	6 3/4	5 3/4	11	4 1/8	6 3/16	5 3/4	6	2 1/2	3 3/4	5 3/4
21'-5"	1 1/2	0.656	CP1152 & CP1153	334	10	3/8	10	N/A				5	2 5/8	3 15/16	5 7/16	N/A				4	2 1/2	3 3/4	5 7/16
21'-5"	1 1/2	0.656	CP1152 & CP1153	344	10	1/2	18	36	3 5/8	8	5 3/4	12	4 1/2	6 3/4	5 3/4	10	4 1/8	6 3/16	5 3/4	8	3 1/2	5 1/4	5 3/4
22'-5"	1 1/2	0.656	CP1152 & CP1153	334	9	3/8	9	N/A				5	2 5/8	3 15/16	5 7/16	6	4	6	5 7/16	6	3 1/2	5 1/4	5 7/16
22'-5"	1 1/2	0.656	CP1152 & CP1153	344	9	1/2	18	28	3 5/8	8	5 3/4	11	4 1/2	6 3/4	5 3/4	9	4 1/8	6 3/16	5 3/4	7	3 1/2	5 1/4	5 3/4
23'-5"	2	1.156	CP1152 & CP1153	444	10	5/8	18	36	4 3/8	6	6 1/4	17	4 1/2	6 3/4	6 1/4	15	5 1/8	7 11/16	6 1/4	11	4	6	6 1/4
24'-5"	2	1.156	CP1152 & CP1153	444	10	5/8	18	36	4 3/8	6	6 1/4	16	4 1/2	6 3/4	6 1/4	14	5 1/8	7 11/16	6 1/4	10	4	6	6 1/4
25'-5"	2	1.156	CP1152 & CP1153	444	10	5/8	18	22	4 3/8	6	6 1/4	15	4 1/2	6 3/4	6 1/4	13	5 1/8	7 11/16	6 1/4	9	4	6	6 1/4
26'-5"	2	1.156	CP1152 & CP1153	445	9	5/8	18	36	4 3/8	6	6 13/16	16	4 1/2	6 3/4	6 13/16	14	7 1/2	11 1/4	6 13/16	10	4	6	6 13/16
27'-5"	2	1.156	CP1152 & CP1153	445	9	5/8	18	28	4 3/8	6	6 13/16	15	4 1/2	6 3/4	6 13/16	13	7 1/2	11 1/4	6 13/16	9	4	6	6 13/16
28'-5"	2	1.156	CP1152 & CP1153	445	9	5/8	18	36	4 3/8	8	6 13/16	14	4 1/2	6 3/4	6 13/16	13	7 1/2	11 1/4	6 13/16	9	4	6	6 13/16
29'-5"	2	1.156	CP1152 & CP1153	445	8	5/8	18	36	4 3/8	8	6 13/16	13	4 1/2	6 3/4	6 13/16	12	7 1/2	11 1/4	6 13/16	8	4	6	6 13/16
30'-5"	2	1.156	CP1152 & CP1153	445	8	5/8	18	28	4 3/8	8	6 13/16	12	4 1/2	6 3/4	6 13/16	11	7 1/2	11 1/4	6 13/16	8	4	6	6 13/16
31'-5"	2	1.156	CP1152 & CP1153	445	8	5/8	18	22	4 3/8	8	6 13/16	12	4 1/2	6 3/4	6 13/16	N/A				7	4	6	6 13/16
32'-5"	2	1.156	CP1152 & CP1153	445	8	5/8	18	N/A				11	4 1/2	6 3/4	6 13/16	N/A				10	5	7 1/2	6 13/16
33'-5"	2	1.156	CP1152 & CP1153	445	7	5/8	18	N/A				11	4 1/2	6 3/4	6 13/16	N/A				9	5	7 1/2	6 13/16
34'-5"	2	1.156	CP1152 & CP1153	445	7	5/8	18	N/A				10	4 1/2	6 3/4	6 13/16	N/A				9	5	7 1/2	6 13/16
35'-5"	2	1.156	CP1152 & CP1153	546	7	5/8	18	N/A				10	4 1/2	6 3/4	6 7/8	N/A				8	5	7 1/2	6 7/8
36'-5"	2	1.156	CP1152 & CP1153	546	7	5/8	18	N/A				9	4 1/2	6 3/4	6 7/8	N/A				8	5	7 1/2	6 7/8
37'-5"	2	1.156	CP1152 & CP1153	546	7	5/8	18	N/A				9	4 1/2	6 3/4	6 7/8	N/A				8	5	7 1/2	6 7/8
38'-5"	2	1.156	CP1152 & CP1153	546	7	5/8	18	N/A				8	4 1/2	6 3/4	6 7/8	N/A				7	5	7 1/2	6 7/8
39'-5"	2	1.156	CP1152 & CP1153	546	6	5/8	17	N/A				8	4 1/2	6 3/4	6 7/8	N/A				7	5	7 1/2	6 7/8
40'-5"	2	1.156	CP1152 & CP1153	546	6	5/8	16	N/A				8	4 1/2	6 3/4	6 7/8	N/A				N/A			



	24 ELMWOOD AVE 1901 S. LITCHFIELD RD MOUNTAINTOP, PA GOODYEAR, AZ	Unless otherwise specified, dimensions are in inches & tolerances are:  0.000 = +/- 0.031 FRACTIONAL = +/- 1/32 ANGLES = +/- 1/2 DEG
	P: 800.390.8590 F: 866.448.6798 E: ADS@COOKSONDOOR.COM	TITLE: WIND LOAD CONFIGURATION NON-INSULATED ROLLING STEEL DOOR CP0020 SLAT IMPACT RATED

L'TR	REVISION	DATE	BY	E.C.O.
*	ORIGINAL ISSUE	10/15/14	TJE	1615
A	REFORMATTED TABLES; HOOD SUPPORT UPDATE	02/14/20	MAN	2027

CP0020 - 0.0405 Minimum Thickness Galvanized or Stainless Steel - 20 PSF, Cont.																																				
DBG Up To	Filled CMU												Cracked Concrete Minimum 3,000 PSI Compressive Strength										Steel (Wall anchors are the same diameter as assembly fasteners)					Superimposed Loads								
	Hilti Kwik Bolt 3				Simpson Strong-Bolt 2				Through Bolt				Hilti Kwik Bolt TZ					Simpson Strong-Bolt 2					ITW Redhead Trubolt+					Welded		Through Bolt	Tapped		Vx (+)	Vy (+)	Vx (-)	Vy (-)
	Max O.C.	Dia.	Embed	Edge Dist	Max O.C.	Dia.	Embed	Edge Dist	Max O.C.	Dia.	Edge Distance	Max O.C.	Dia.	Embed.	Min Wall Thick.	Edge Dist	Max O.C.	Dia.	Embed.	Min Wall Thick.	Edge Dist	Max O.C.	Dia.	Embed.	Min Wall Thick.	Edge Dist	Max O.C.	Slot Size	Max O.C.	Max O.C.	Min. Thickness					
10'-5"	12	3/8	2 1/2	5 3/16	8	3/8	2 5/8	5 3/16	21	3/8	5 3/16	19	3/8	2 5/16	4	5 3/16	36	3/8	2 7/8	4 1/2	5 3/16	36	3/8	2	5	5 3/16	36	7/16 x 5/8	36	36	3/16	0	105	0	105	
10'-5"	9	1/2	2 1/4	5 3/4	9	1/2	3 1/2	5 3/4	36	1/2	5 3/4	36	1/2	3 5/8	6	5 3/4	36	1/2	2 3/4	4 1/2	5 3/4	36	1/2	2 1/2	4	5 3/4	36	9/16 x 3/4	36	36	1/4	0	105	0	105	
13'-5"	14	3/8	2 1/2	5 3/16	10	3/8	2 5/8	5 3/16	23	3/8	5 3/16	28 1/2	3/8	2 5/16	4	5 3/16	14 1/4	3/8	1 7/8	3 1/4	5 3/16	36	3/8	2	5	5 3/16	36	7/16 x 5/8	36	36	3/16	208	135	195	135	
13'-5"	14	1/2	2 1/4	5 3/4	14	1/2	3 1/2	5 3/4	36	1/2	5 3/4	19	1/2	2 3/8	4	5 3/4	36	1/2	2 3/4	4 1/2	5 3/4	36	1/2	2 1/2	4	5 3/4	36	9/16 x 3/4	36	36	1/4	210	135	195	135	
14'-5"	11	3/8	2 1/2	5 3/16	9	1/2	3 1/2	5 3/16	18	3/8	5 3/16	36	1/2	3 5/8	6	5 3/16	36	3/8	2 7/8	4 1/2	5 3/16	36	1/2	2 1/2	4	5 3/16	36	7/16 x 5/8	36	33	3/16	272	145	262	145	
14'-5"	11	1/2	2 1/4	5 3/4	11	1/2	3 1/2	5 3/4	36	1/2	5 3/4	36	1/2	3 5/8	6	5 3/4	36	1/2	2 3/4	4 1/2	5 3/4	36	1/2	2 1/2	4	5 3/4	36	9/16 x 3/4	36	36	1/4	274	145	262	145	
15'-5"	8	3/8	2 1/2	5 3/16	11	3/4	5 1/4	5 3/16	13	3/8	5 3/16	36	1/2	3 5/8	6	5 3/16	28 1/2	1/2	2 3/4	4 1/2	5 3/16	36	1/2	3 3/4	8	5 3/16	35	7/16 x 5/8	35	22	3/16	396	155	387	155	
15'-5"	8	1/2	2 1/4	5 3/4	8	1/2	3 1/2	5 3/4	31	1/2	5 3/4	36	1/2	3 5/8	6	5 3/4	36	1/2	2 3/4	4 1/2	5 3/4	28 1/2	1/2	2 1/2	4	5 3/4	36	9/16 x 3/4	36	34	1/4	398	155	387	155	
16'-5"	8	3/4	3 1/4	5 3/16	9	3/4	5 1/4	5 3/16	10	3/8	5 3/16	28 1/2	1/2	3 5/8	8	5 3/16	22 3/4	1/2	3 7/8	6	5 3/16	36	3/4	4 3/8	7	5 3/16	27	7/16 x 5/8	27	17	3/16	513	165	505	165	
16'-5"	9	1/2	3 1/2	5 3/4	11	3/4	5 1/4	5 3/4	24	1/2	5 3/4	28 1/2	1/2	3 5/8	6	5 3/4	16 1/4	1/2	2 3/4	4 1/2	5 3/4	36	1/2	3 3/4	8	5 3/4	36	9/16 x 3/4	36	26	1/4	515	165	505	165	
17'-5"	10	3/4	4 3/8	5 7/16	8	3/4	5 1/4	5 7/16	9	3/8	5 7/16	16 1/4	1/2	3 5/8	8	5 7/16	28 1/2	3/4	4 1/8	6 3/4	5 7/16	28 1/2	3/4	4 3/8	7	5 7/16	22	7/16 x 5/8	22	14	3/16	625	175	617	175	
17'-5"	8	3/4	3 1/4	5 3/4	9	3/4	5 1/4	5 3/4	20	1/2	5 3/4	28 1/2	1/2	3 5/8	8	5 3/4	19	1/2	3 7/8	6	5 3/4	36	3/4	4 3/8	7	5 3/4	36	9/16 x 3/4	36	22	1/4	627	175	617	175	
18'-5"	9	3/4	4 3/8	5 7/16	N/A				8	3/8	5 7/16	36	3/4	5 9/16	8	5 7/16	36	3/4	5 3/4	8 3/4	5 7/16	28 1/2	3/4	4 3/8	8	5 7/16	19	7/16 x 5/8	19	12	3/16	734	185	726	186	
18'-5"	10	3/4	4 3/8	5 3/4	8	3/4	5 1/4	5 3/4	17	1/2	5 3/4	36	3/4	5 9/16	8	5 3/4	19	3/4	4 1/8	6 3/4	5 3/4	22 3/4	3/4	4 3/8	7	5 3/4	34	9/16 x 3/4	34	18	1/4	736	185	726	186	
19'-5"	8	3/4	4 3/8	5 7/16	N/A				7	3/8	5 7/16	28 1/2	3/4	5 9/16	8	5 7/16	36	3/4	5 3/4	8 3/4	5 7/16	N/A					16	7/16 x 5/8	16	10	3/16	841	195	833	196	
19'-5"	9	3/4	4 3/8	5 3/4	N/A				15	1/2	5 3/4	36	3/4	5 9/16	8	5 3/4	36	3/4	5 3/4	8 3/4	5 3/4	22 3/4	3/4	4 3/8	8	5 3/4	29	9/16 x 3/4	29	16	1/4	842	196	833	196	
20'-5"	N/A				N/A				6	3/8	5 7/16	N/A					N/A					N/A					14	7/16 x 5/8	14	9	3/16	945	205	938	206	
20'-5"	8	3/4	4 3/8	5 3/4	N/A				14	1/2	5 3/4	22 3/4	3/4	5 9/16	8	5 3/4	36	3/4	5 3/4	8 3/4	5 3/4	N/A					26	9/16 x 3/4	26	14	1/4	947	206	938	206	
21'-5"	N/A				N/A				5	3/8	5 7/16	N/A					N/A					N/A					13	7/16 x 5/8	13	8	3/16	1049	216	1042	216	
21'-5"	N/A				N/A				12	1/2	5 3/4	N/A					N/A					N/A					23	9/16 x 3/4	23	13	1/4	1050	216	1042	216	
22'-5"	N/A				N/A				5	3/8	5 7/16	N/A					N/A					N/A					12	7/16 x 5/8	12	7	3/16	1153	226	1145	226	
22'-5"	N/A				N/A				11	1/2	5 3/4	N/A					N/A					N/A					21	9/16 x 3/4	21	12	1/4	1154	226	1145	226	
23'-5"	N/A				N/A				17	5/8	6 1/4	22 3/4	3/4	5 9/16	8	6 1/4	19	5/8	5 1/8	7 7/8	6 1/4	28 1/2	5/8	4 3/4	6 1/4	6 1/4	36	11/16 x 7/8	36	24	5/16	905	234	899	235	
24'-5"	N/A				N/A				16	5/8	6 1/4	N/A					N/A					N/A					36	11/16 x 7/8	36	22	5/16	986	244	980	245	
25'-5"	N/A				N/A				15	5/8	6 1/4	N/A					N/A					N/A					36	11/16 x 7/8	36	21	5/16	1067	255	1061	255	
26'-5"	N/A				N/A				16	5/8	6 13/16	N/A					N/A					N/A					36	11/16 x 7/8	36	23	5/16	1148	265	1142	265	
27'-5"	N/A				N/A				15	5/8	6 13/16	N/A					N/A					N/A					36	11/16 x 7/8	36	22	5/16	1229	275	1224	275	
28'-5"	N/A				N/A				14	5/8	6 13/16	N/A					N/A					N/A					36	11/16 x 7/8	36	20	5/16	1311	285	1305	285	
29'-5"	N/A				N/A				13	5/8	6 13/16	N/A					N/A					N/A					35	11/16 x 7/8	35	19	5/16	1394	295	1388	296	
30'-5"	N/A				N/A				12	5/8	6 13/16	N/A					N/A					N/A					33	11/16 x 7/8	33	18	5/16	1476	305	1471	306	
31'-5"	N/A				N/A				12	5/8	6 13/16	N/A					N/A					N/A					31	11/16 x 7/8	31	17	5/16	1560	315	1554	316	
32'-5"	N/A				N/A				11	5/8	6 13/16	N/A					N/A					N/A					29	11/16 x 7/8	29	16	5/16	1644	325	1638	326	
33'-5"	N/A				N/A				11	5/8	6 13/16	N/A					N/A					N/A					28	11/16 x 7/8	28	15	5/16	1729	336	1723	336	
34'-5"	N/A				N/A				10	5/8	6 13/16	N/A					N/A					N/A					27	11/16 x 7/8	27	15	5/16	1815	346	1809	346	
35'-5"	N/A				N/A				10	5/8	6 7/8	N/A					N/A					N/A					24	11/16 x 7/8	24	13	5/16	1902	356	1895	357	
36'-5"	N/A				N/A				9	5/8	6 7/8	N/A					N/A					N/A					23	11/16 x 7/8	23	13	5/16	1989	366	1983	367	
37'-5"	N/A				N/A				9	5/8	6 7/8	N/A					N/A					N/A					22	11/16 x 7/8	22	12	5/16	2077	376	2071	377	
38'-5"	N/A				N/A				8	5/8	6 7/8	N/A					N/A					N/A					21	11/16 x 7/8	21	11	5/16	2167	387	2160	387	
39'-5"	N/A				N/A				8	5/8	6 7/8	N/A					N/A					N/A					20	11/16 x 7/8	20	11	5/16	2257	397	2250	398	
40'-5"	N/A				N/A				8	5/8	6 7/8	N/A					N/A					N/A					19	11/16 x 7/8	19	11	5/16	2348	407	2341	408	



	24 ELMWOOD AVE 1901 S. LITCHFIELD RD MOUNTAINTOP, PA GOODYEAR, AZ		Unless otherwise specified, dimensions are in inches & tolerances are:		
	P: 800.390.8590 F: 866.448.6798 E: ADS@COOKSONDOOR.COM		0.000 = +/- 0.031 FRACTIONAL = +/- 1/32 ANGLES = +/- 1/2 DEG		
TITLE: WIND LOAD CONFIGURATION NON-INSULATED ROLLING STEEL DOOR CP0020 SLAT IMPACT RATED		DRAWN BY: <b>TJE</b>	SIZE: <b>B</b>	SCALE: <b>AS NOTED</b>	SHEET: <b>24/35</b>
		DWG NO: <b>ES-16-61-TCCI</b>			



L'TR	REVISION	DATE	BY	E.C.O.
*	ORIGINAL ISSUE	10/15/14	TJE	1615
A	REFORMATTED TABLES; HOOD SUPPORT UPDATE	02/14/20	MAN	2027

CP0020 - 0.0405 Minimum Thickness Galvanized or Stainless Steel - 30 PSF																							
Concrete Minimum 3,000 PSI Compressive Strength (Anchors are the same diameter as assembly fasteners)																							
DBG Up To	Windlock Flat Location	Slip	Windlock	Guide Assembly	Windlock Weld Pitch	Assembly Fastener Diameter	Assembly Fastener Spacing	Hilti Kwik Bolt 3				Simpson Wedge All				Red Head Tru-Bolt				Powers Wedge-Bolt			
								Max O.C.	Embed	Min. Wall Thick.	Edge Dist	Max O.C.	Embed	Min. Wall Thick.	Edge Dist	Max O.C.	Embed	Min. Wall Thick.	Edge Dist	Max O.C.	Embed	Min. Wall Thick.	Edge Dist
8'-5"	1 1/2	0.656	CP1152 & CP1153	333	12	3/8	18	36	2 3/8	4	5 3/16	17	2 5/8	3 15/16	5 3/16	18	3	4 1/2	5 3/16	14	2	3	5 3/16
8'-5"	1 1/2	0.656	CP1152 & CP1153	344	12	1/2	18	36	2 1/4	4	5 3/4	35	4 1/2	6 3/4	5 3/4	25	4 1/8	6 3/16	5 3/4	17	2 1/2	3 3/4	5 3/4
13'-5"	1 3/8	0.531	CP1152 & CP1153	333	12	3/8	17	N/A				9	2 5/8	3 15/16	5 3/16	9	3	4 1/2	5 3/16	6	2	3	5 3/16
13'-5"	1 3/8	0.531	CP1152 & CP1153	344	12	1/2	18	36	3 5/8	6	5 3/4	23	4 1/2	6 3/4	5 3/4	18	4 1/8	6 3/16	5 3/4	10	2 1/2	3 3/4	5 3/4
14'-5"	1 1/2	0.656	CP1152 & CP1153	334	12	3/8	15	N/A				9	2 5/8	3 15/16	5 7/16	9	3	4 1/2	5 7/16	5	2	3	5 7/16
14'-5"	1 1/2	0.656	CP1152 & CP1153	344	12	1/2	18	36	3 5/8	6	5 3/4	20	4 1/2	6 3/4	5 3/4	16	4 1/8	6 3/16	5 3/4	9	2 1/2	3 3/4	5 3/4
15'-5"	1 1/2	0.656	CP1152 & CP1153	334	11	3/8	13	N/A				7	2 5/8	3 15/16	5 7/16	7	3	4 1/2	5 7/16	4	2	3	5 7/16
15'-5"	1 1/2	0.656	CP1152 & CP1153	344	11	1/2	18	36	3 5/8	6	5 3/4	16	4 1/2	6 3/4	5 3/4	13	4 1/8	6 3/16	5 3/4	7	2 1/2	3 3/4	5 3/4
16'-5"	1 1/2	0.656	CP1152 & CP1153	334	10	3/8	11	N/A				6	2 5/8	3 15/16	5 7/16	6	3	4 1/2	5 7/16	4	2 1/2	3 3/4	5 7/16
16'-5"	1 1/2	0.656	CP1152 & CP1153	344	10	1/2	18	28	3 5/8	6	5 3/4	14	4 1/2	6 3/4	5 3/4	11	4 1/8	6 3/16	5 3/4	6	2 1/2	3 3/4	5 3/4
17'-5"	1 1/2	0.656	CP1152 & CP1153	334	10	3/8	9	N/A				5	2 5/8	3 15/16	5 7/16	N/A				6	3 1/2	5 1/4	5 7/16
17'-5"	1 1/2	0.656	CP1152 & CP1153	344	10	1/2	18	36	3 5/8	8	5 3/4	12	4 1/2	6 3/4	5 3/4	9	4 1/8	6 3/16	5 3/4	8	3 1/2	5 1/4	5 3/4
18'-5"	2	1.156	CP1152 & CP1153	444	11	5/8	18	36	4 3/8	6	6 1/4	18	4 1/2	6 3/4	6 1/4	15	5 1/8	7 11/16	6 1/4	7	3	4 1/2	6 1/4
19'-5"	2	1.156	CP1152 & CP1153	444	10	5/8	18	28	4 3/8	6	6 1/4	16	4 1/2	6 3/4	6 1/4	14	5 1/8	7 11/16	6 1/4	10	4	6	6 1/4
20'-5"	2	1.156	CP1152 & CP1153	445	10	5/8	18	36	4 3/8	6	6 13/16	16	4 1/2	6 3/4	6 13/16	15	7 1/2	11 1/4	6 13/16	10	4	6	6 13/16
21'-5"	2	1.156	CP1152 & CP1153	445	9	5/8	18	28	4 3/8	6	6 13/16	15	4 1/2	6 3/4	6 13/16	13	7 1/2	11 1/4	6 13/16	9	4	6	6 13/16
22'-5"	2	1.156	CP1152 & CP1153	445	9	5/8	18	36	4 3/8	8	6 13/16	14	4 1/2	6 3/4	6 13/16	12	7 1/2	11 1/4	6 13/16	9	4	6	6 13/16
23'-5"	2	1.156	CP1152 & CP1153	445	8	5/8	18	28	4 3/8	8	6 13/16	12	4 1/2	6 3/4	6 13/16	11	7 1/2	11 1/4	6 13/16	8	4	6	6 13/16
24'-5"	2	1.156	CP1152 & CP1153	445	8	5/8	18	N/A				12	4 1/2	6 3/4	6 13/16	N/A				7	4	6	6 13/16
25'-5"	2	1.156	CP1152 & CP1153	445	8	5/8	18	N/A				11	4 1/2	6 3/4	6 13/16	N/A				9	5	7 1/2	6 13/16
26'-5"	2	1.156	CP1152 & CP1153	546	7	5/8	18	N/A				10	4 1/2	6 3/4	6 7/8	N/A				9	5	7 1/2	6 7/8
27'-5"	2	1.156	CP1152 & CP1153	546	7	5/8	18	N/A				10	4 1/2	6 3/4	6 7/8	N/A				8	5	7 1/2	6 7/8
28'-5"	2	1.156	CP1152 & CP1153	546	7	5/8	18	N/A				9	4 1/2	6 3/4	6 7/8	N/A				8	5	7 1/2	6 7/8
29'-5"	2	1.156	CP1152 & CP1153	546	7	5/8	17	N/A				8	4 1/2	6 3/4	6 7/8	N/A				7	5	7 1/2	6 7/8
30'-5"	2	1.156	CP1152 & CP1153	546	6	5/8	16	N/A				8	4 1/2	6 3/4	6 7/8	N/A				N/A			
31'-5"	2	1.156	CP1152 & CP1153	546	6	5/8	16	N/A				8	4 1/2	6 3/4	6 7/8	N/A				N/A			
32'-5"	2	1.156	CP1152 & CP1153	546	6	5/8	15	N/A				7	4 1/2	6 3/4	6 7/8	N/A				N/A			
33'-5"	2	1.156	CP1152 & CP1153	546	6	5/8	14	N/A				7	4 1/2	6 3/4	6 7/8	N/A				N/A			
34'-5"	2	1.156	CP1152 & CP1153	648	6	3/4	18	N/A				7	4 1/2	6 3/4	6 7/8	N/A				N/A			
35'-5"	2 1/2	1.656	CP1152 & CP1153	648	6	3/4	18	N/A				9	5	7 1/2	7 1/2	10	6 5/8	9 15/16	7 1/2	N/A			
36'-5"	2 1/2	1.656	CP1152 & CP1153	648	6	3/4	18	N/A				9	5	7 1/2	7 1/2	10	6 5/8	9 15/16	7 1/2	N/A			
37'-5"	2 1/2	1.656	CP1152 & CP1153	648	6	3/4	18	N/A				8	5	7 1/2	7 1/2	9	6 5/8	9 15/16	7 1/2	N/A			
38'-5"	2 1/2	1.656	CP1152 & CP1153	648	6	3/4	18	N/A				8	5	7 1/2	7 1/2	8	6 5/8	9 15/16	7 1/2	N/A			
39'-5"	2 1/2	1.656	CP1152 & CP1153	648	6	3/4	18	N/A				8	5	7 1/2	7 1/2	7	6 5/8	9 15/16	7 1/2	N/A			
40'-5"	2 1/2	1.656	CP1152 & CP1153	648	6	3/4	18	N/A				7	5	7 1/2	7 1/2	6	6 5/8	9 15/16	7 1/2	N/A			



	24 ELMWOOD AVE 1901 S. LITCHFIELD RD MOUNTAINTOP, PA GOODYEAR, AZ		Unless otherwise specified, dimensions are in inches & tolerances are:		
	P: 800.390.8590 F: 866.448.6798 E: ADS@COOKSONDOOR.COM		0.000 = +/- 0.031 FRACTIONAL = +/- 1/32 ANGLES = +/- 1/2 DEG		
TITLE: WIND LOAD CONFIGURATION NON-INSULATED ROLLING STEEL DOOR CP0020 SLAT IMPACT RATED		DRAWN BY: <b>TJE</b>	SIZE: <b>B</b>	SCALE: <b>AS NOTED</b>	SHEET: <b>25/35</b>
DWG NO: <b>ES-16-61-TCCI</b>					

L'TR	REVISION	DATE	BY	E.C.O.
*	ORIGINAL ISSUE	10/15/14	TJE	1615
A	REFORMATTED TABLES; HOOD SUPPORT UPDATE	02/14/20	MAN	2027

CP0020 - 0.0405 Minimum Thickness Galvanized or Stainless Steel - 30 PSF, Cont.																																			
DBG Up To	Filled CMU											Cracked Concrete Minimum 3,000 PSI Compressive Strength											Steel (Wall anchors are the same diameter as assembly fasteners)					Superimposed Loads							
	Hilti Kwik Bolt 3				Simpson Strong-Bolt 2				Through Bolt			Hilti Kwik Bolt TZ				Simpson Strong-Bolt 2				ITW Redhead Trubolt+				Welded		Through Bolt	Tapped		Vx (+)	Vy (+)	Vx (-)	Vy (-)			
	Max O.C.	Dia.	Embed	Edge Dist	Max O.C.	Dia.	Embed	Edge Dist	Max. O.C.	Dia.	Edge Distance	Max O.C.	Dia.	Embed.	Min Wall Thick.	Edge Dist	Max O.C.	Dia.	Embed.	Min Wall Thick.	Edge Dist	Max O.C.	Dia.	Embed.	Min Wall Thick.	Edge Dist	Max O.C.	Slot Size					Max O.C.	Max O.C.	Min. Thickness
8'-5"	10	3/8	2 1/2	5 3/16	8	1/2	3 1/2	5 3/16	17	3/8	5 3/16	36	1/2	3 5/8	6	5 3/16	36	3/8	2 7/8	4 1/2	5 3/16	7 1/8	3/8	2	5	5 3/16	36	7/16 x 5/8	36	36	3/16	0	128	0	127
8'-5"	10	1/2	3 1/2	5 3/4	15	3/4	5 1/4	5 3/4	35	1/2	5 3/4	36	1/2	3 5/8	6	5 3/4	36	1/2	2 3/4	4 1/2	5 3/4	36	1/2	2 1/2	4	5 3/4	36	9/16 x 3/4	36	36	1/4	0	128	0	127
13'-5"	10	3/4	4 3/8	5 3/16	8	3/4	5 1/4	5 3/16	9	3/8	5 3/16	19	1/2	3 5/8	8	5 3/16	28 1/2	3/4	4 1/8	6 3/4	5 3/16	28 1/2	3/4	4 3/8	7	5 3/16	25	7/16 x 5/8	25	16	3/16	552	203	537	203
13'-5"	8	1/2	3 1/2	5 3/4	10	3/4	5 1/4	5 3/4	23	1/2	5 3/4	36	1/2	3 5/8	8	5 3/4	36	1/2	3 7/8	6	5 3/4	28 1/2	1/2	3 3/4	8	5 3/4	36	9/16 x 3/4	36	24	1/4	555	203	537	203
14'-5"	10	3/4	4 3/8	5 7/16	8	3/4	5 1/4	5 7/16	9	3/8	5 7/16	36	3/4	5 9/16	8	5 7/16	28 1/2	3/4	4 1/8	6 3/4	5 7/16	28 1/2	3/4	4 3/8	7	5 7/16	22	7/16 x 5/8	22	14	3/16	615	217	603	218
14'-5"	8	3/4	3 1/4	5 3/4	9	3/4	5 1/4	5 3/4	20	1/2	5 3/4	28 1/2	1/2	3 5/8	8	5 3/4	19	1/2	3 7/8	6	5 3/4	36	3/4	4 3/8	7	5 3/4	36	9/16 x 3/4	36	22	1/4	618	218	603	218
15'-5"	8	3/4	4 3/8	5 7/16	N/A				7	3/8	5 7/16	36	3/4	5 9/16	8	5 7/16	36	3/4	5 3/4	8 3/4	5 7/16	19	3/4	4 3/8	8	5 7/16	18	7/16 x 5/8	18	11	3/16	775	233	764	233
15'-5"	9	3/4	4 3/8	5 3/4	N/A				16	1/2	5 3/4	36	3/4	5 9/16	8	5 3/4	36	3/4	5 3/4	8 3/4	5 3/4	36	3/4	4 3/8	8	5 3/4	31	9/16 x 3/4	31	17	1/4	777	233	764	233
16'-5"	N/A				N/A				6	3/8	5 7/16	N/A				N/A				N/A				15	7/16 x 5/8	15	9	3/16	929	248	918	248			
16'-5"	8	3/4	4 3/8	5 3/4	N/A				14	1/2	5 3/4	22 3/4	3/4	5 9/16	8	5 3/4	36	3/4	5 3/4	8 3/4	5 3/4	N/A				26	9/16 x 3/4	26	14	1/4	931	248	918	248	
17'-5"	N/A				N/A				5	3/8	5 7/16	N/A				N/A				N/A				12	7/16 x 5/8	12	8	3/16	1080	263	1069	263			
17'-5"	N/A				N/A				12	1/2	5 3/4	N/A				N/A				N/A				23	9/16 x 3/4	23	12	1/4	1082	263	1069	263			
18'-5"	8	3/4	4 3/8	6 1/4	N/A				18	5/8	6 1/4	22 3/4	3/4	5 9/16	8	6 1/4	22 3/4	5/8	5 1/8	7 7/8	6 1/4	28 1/2	5/8	4 3/4	6 1/4	6 1/4	36	11/16 x 7/8	36	26	5/16	859	276	851	277
19'-5"	N/A				N/A				16	5/8	6 1/4	N/A				N/A				N/A				36	11/16 x 7/8	36	23	5/16	976	291	968	292			
20'-5"	N/A				N/A				16	5/8	6 13/16	22 3/4	3/4	5 9/16	8	6 13/16	36	3/4	5 3/4	8 3/4	6 13/16	N/A				36	11/16 x 7/8	36	25	5/16	1092	306	1083	307	
21'-5"	N/A				N/A				15	5/8	6 13/16	N/A				N/A				N/A				36	11/16 x 7/8	36	22	5/16	1206	321	1198	322			
22'-5"	N/A				N/A				14	5/8	6 13/16	N/A				N/A				N/A				36	11/16 x 7/8	36	20	5/16	1321	336	1313	337			
23'-5"	N/A				N/A				12	5/8	6 13/16	N/A				N/A				N/A				34	11/16 x 7/8	34	19	5/16	1436	352	1428	353			
24'-5"	N/A				N/A				12	5/8	6 13/16	N/A				N/A				N/A				31	11/16 x 7/8	31	17	5/16	1551	367	1543	368			
25'-5"	N/A				N/A				11	5/8	6 13/16	N/A				N/A				N/A				29	11/16 x 7/8	29	16	5/16	1667	382	1659	383			
26'-5"	N/A				N/A				10	5/8	6 7/8	N/A				N/A				N/A				26	11/16 x 7/8	26	14	5/16	1784	397	1775	398			
27'-5"	N/A				N/A				10	5/8	6 7/8	N/A				N/A				N/A				24	11/16 x 7/8	24	13	5/16	1901	412	1893	413			
28'-5"	N/A				N/A				9	5/8	6 7/8	N/A				N/A				N/A				23	11/16 x 7/8	23	12	5/16	2020	428	2011	429			
29'-5"	N/A				N/A				8	5/8	6 7/8	N/A				N/A				N/A				21	11/16 x 7/8	21	12	5/16	2140	443	2131	444			
30'-5"	N/A				N/A				8	5/8	6 7/8	N/A				N/A				N/A				20	11/16 x 7/8	20	11	5/16	2261	458	2252	459			
31'-5"	N/A				N/A				8	5/8	6 7/8	N/A				N/A				N/A				19	11/16 x 7/8	19	10	5/16	2383	474	2374	475			
32'-5"	N/A				N/A				7	5/8	6 7/8	N/A				N/A				N/A				18	11/16 x 7/8	18	10	5/16	2507	489	2498	490			
33'-5"	N/A				N/A				7	5/8	6 7/8	N/A				N/A				N/A				17	11/16 x 7/8	17	9	5/16	2632	504	2623	506			
34'-5"	N/A				N/A				7	3/4	6 7/8	N/A				N/A				N/A				36	11/16 x 7/8	36	21	3/8	2286	517	2278	518			
35'-5"	N/A				N/A				9	3/4	7 1/2	N/A				N/A				N/A				36	13/16 x 1	36	20	3/8	2394	533	2386	533			
36'-5"	N/A				N/A				9	3/4	7 1/2	N/A				N/A				N/A				35	13/16 x 1	35	19	3/8	2502	548	2494	549			
37'-5"	N/A				N/A				8	3/4	7 1/2	N/A				N/A				N/A				34	13/16 x 1	34	18	3/8	2612	563	2604	564			
38'-5"	N/A				N/A				8	3/4	7 1/2	N/A				N/A				N/A				32	13/16 x 1	32	17	3/8	2723	579	2714	579			
39'-5"	N/A				N/A				8	3/4	7 1/2	N/A				N/A				N/A				31	13/16 x 1	31	17	3/8	2835	594	2826	595			
40'-5"	N/A				N/A				7	3/4	7 1/2	N/A				N/A				N/A				30	13/16 x 1	30	16	3/8	2948	609	2939	610			



	24 ELMWOOD AVE 1901 S. LITCHFIELD RD MOUNTAINTOP, PA GOODYEAR, AZ		Unless otherwise specified, dimensions are in inches & tolerances are:		
	P: 800.390.8590 F: 866.448.6798 E: ADS@COOKSONDOOR.COM		0.000 = +/- 0.031 FRACTIONAL = +/- 1/32 ANGLES = +/- 1/2 DEG		
<b>TITLE:</b> WIND LOAD CONFIGURATION NON-INSULATED ROLLING STEEL DOOR CP0020 SLAT IMPACT RATED		<b>DRAWN BY:</b> TJE	<b>SIZE:</b> B	<b>SCALE:</b> AS NOTED	<b>SHEET:</b> 26/35
		<b>DWG NO:</b> ES-16-61-TCCI			

L/TR	REVISION	DATE	BY	E.C.O.
*	ORIGINAL ISSUE	10/15/14	TJE	1615
A	REFORMATTED TABLES; HOOD SUPPORT UPDATE	02/14/20	MAN	2027

CP0020 - 0.0405 Minimum Thickness Galvanized or Stainless Steel - 40 PSF																							
Concrete Minimum 3,000 PSI Compressive Strength (Anchors are the same diameter as assembly fasteners)																							
DBG Up To	Windlock Flat Location	Slip	Windlock	Guide Assembly	Windlock Weld Pitch	Assembly Fastener Diameter	Assembly Fastener Spacing	Hilti Kwik Bolt 3				Simpson Wedge All				Red Head Tru-Bolt				Powers Wedge-Bolt			
								Max O.C.	Embed	Min. Wall Thick.	Edge Dist	Max O.C.	Embed	Min. Wall Thick.	Edge Dist	Max O.C.	Embed	Min. Wall Thick.	Edge Dist	Max O.C.	Embed	Min. Wall Thick.	Edge Dist
7'-5"	1 1/2	0.656	CP1152 & CP1153	333	12	3/8	18	36	2 3/8	4	5 3/16	15	2 5/8	3 15/16	5 3/16	15	3	4 1/2	5 3/16	12	2	3	5 3/16
7'-5"	1 1/2	0.656	CP1152 & CP1153	344	12	1/2	18	36	2 1/4	4	5 3/4	30	4 1/2	6 3/4	5 3/4	21	4 1/8	6 3/16	5 3/4	14	2 1/2	3 3/4	5 3/4
13'-5"	1 3/8	0.531	CP1152 & CP1153	334	11	3/8	11	N/A				6	2 5/8	3 15/16	5 7/16	6	3	4 1/2	5 7/16	5	2 1/2	3 3/4	5 7/16
13'-5"	1 3/8	0.531	CP1152 & CP1153	344	11	1/2	18	36	3 5/8	6	5 3/4	14	4 1/2	6 3/4	5 3/4	11	4 1/8	6 3/16	5 3/4	6	2 1/2	3 3/4	5 3/4
14'-5"	1 1/2	0.656	CP1152 & CP1153	334	10	3/8	10	N/A				6	2 5/8	3 15/16	5 7/16	6	3	4 1/2	5 7/16	4	2 1/2	3 3/4	5 7/16
14'-5"	1 1/2	0.656	CP1152 & CP1153	344	10	1/2	18	22	3 5/8	6	5 3/4	13	4 1/2	6 3/4	5 3/4	10	4 1/8	6 3/16	5 3/4	6	2 1/2	3 3/4	5 3/4
15'-5"	1 5/8	0.781	CP1152 & CP1153	444	10	5/8	18	28	4 3/8	6	6 1/4	15	4 1/2	6 3/4	6 1/4	13	5 1/8	7 11/16	6 1/4	9	4	6	6 1/4
16'-5"	1 3/4	0.906	CP1152 & CP1153	444	9	5/8	18	36	4 3/8	8	6 1/4	14	4 1/2	6 3/4	6 1/4	12	5 1/8	7 11/16	6 1/4	9	4	6	6 1/4
17'-5"	2	1.156	CP1152 & CP1153	445	10	5/8	18	36	4 3/8	6	6 13/16	16	4 1/2	6 3/4	6 13/16	15	7 1/2	11 1/4	6 13/16	10	4	6	6 13/16
18'-5"	2	1.156	CP1152 & CP1153	445	9	5/8	18	22	4 3/8	6	6 13/16	14	4 1/2	6 3/4	6 13/16	13	7 1/2	11 1/4	6 13/16	9	4	6	6 13/16
19'-5"	2	1.156	CP1152 & CP1153	445	8	5/8	18	36	4 3/8	8	6 13/16	13	4 1/2	6 3/4	6 13/16	12	7 1/2	11 1/4	6 13/16	8	4	6	6 13/16
20'-5"	2	1.156	CP1152 & CP1153	445	8	5/8	18	19	4 3/8	8	6 13/16	12	4 1/2	6 3/4	6 13/16	N/A				7	4	6	6 13/16
21'-5"	2	1.156	CP1152 & CP1153	445	8	5/8	18	N/A				11	4 1/2	6 3/4	6 13/16	N/A				9	5	7 1/2	6 13/16
22'-5"	2	1.156	CP1152 & CP1153	546	7	5/8	18	N/A				10	4 1/2	6 3/4	6 7/8	N/A				9	5	7 1/2	6 7/8
23'-5"	2	1.156	CP1152 & CP1153	546	7	5/8	18	N/A				9	4 1/2	6 3/4	6 7/8	N/A				8	5	7 1/2	6 7/8
24'-5"	2	1.156	CP1152 & CP1153	546	7	5/8	17	N/A				8	4 1/2	6 3/4	6 7/8	N/A				7	5	7 1/2	6 7/8
25'-5"	2	1.156	CP1152 & CP1153	546	6	5/8	16	N/A				8	4 1/2	6 3/4	6 7/8	N/A				N/A			
26'-5"	2	1.156	CP1152 & CP1153	546	6	5/8	15	N/A				7	4 1/2	6 3/4	6 7/8	N/A				N/A			
27'-5"	2	1.156	CP1152 & CP1153	546	6	5/8	14	N/A				7	4 1/2	6 3/4	6 7/8	N/A				N/A			
28'-5"	2	1.156	CP1152 & CP1153	648	6	3/4	18	N/A				7	4 1/2	6 3/4	6 7/8	N/A				N/A			
29'-5"	2 1/2	1.656	CP1152 & CP1153	648	6	3/4	18	N/A				9	5	7 1/2	7 1/2	10	6 5/8	9 15/16	7 1/2	N/A			
30'-5"	2 1/2	1.656	CP1152 & CP1153	648	6	3/4	18	N/A				9	5	7 1/2	7 1/2	10	6 5/8	9 15/16	7 1/2	N/A			
31'-5"	2 1/2	1.656	CP1152 & CP1153	648	6	3/4	18	N/A				8	5	7 1/2	7 1/2	8	6 5/8	9 15/16	7 1/2	N/A			
32'-5"	2 1/2	1.656	CP1152 & CP1153	648	6	3/4	18	N/A				8	5	7 1/2	7 1/2	7	6 5/8	9 15/16	7 1/2	N/A			
33'-5"	2 1/2	1.656	CP1152 & CP1153	648	6	3/4	18	N/A				7	5	7 1/2	7 1/2	6	6 5/8	9 15/16	7 1/2	N/A			
34'-5"	2 1/2	1.656	CP1152 & CP1153	648	5	3/4	17	N/A				7	5	7 1/2	7 1/2	N/A				N/A			
35'-5"	2 1/2	1.656	CP1152 & CP1153	648	5	3/4	16	N/A				7	5	7 1/2	7 1/2	N/A				N/A			



	24 ELMWOOD AVE 1901 S. LITCHFIELD RD MOUNTAINTOP, PA GOODYEAR, AZ	Unless otherwise specified, dimensions are in inches & tolerances are:  0.000 = +/- 0.031 FRACTIONAL = +/- 1/32 ANGLES = +/- 1/2 DEG
	P: 800.390.8590 F: 866.448.6798 E: ADS@COOKSONDOOR.COM	TITLE: WIND LOAD CONFIGURATION NON-INSULATED ROLLING STEEL DOOR CP0020 SLAT IMPACT RATED
	SIZE: B SCALE: AS NOTED SHEET: 27/35	

L'TR	REVISION	DATE	BY	E.C.O.
*	ORIGINAL ISSUE	10/15/14	TJE	1615
A	REFORMATTED TABLES; HOOD SUPPORT UPDATE	02/14/20	MAN	2027

CP0020 - 0.0405 Minimum Thickness Galvanized or Stainless Steel - 40 PSF, Cont.																																			
DBG Up To	Filled CMU									Cracked Concrete Minimum 3,000 PSI Compressive Strength															Steel (Wall anchors are the same diameter as assembly fasteners)					Superimposed Loads					
	Hilti Kwik Bolt 3			Simpson Strong-Bolt 2			Through Bolt			Hilti Kwik Bolt TZ					Simpson Strong-Bolt 2					ITW Redhead Trubolt+					Welded		Through Bolt	Tapped		Vx (+)	Vy (+)	Vx (-)	Vy (-)		
	Max O.C.	Dia.	Embed	Edge Dist	Max O.C.	Dia.	Embed	Edge Dist	Max. O.C.	Dia.	Edge Distance	Max O.C.	Dia.	Embed.	Min Wall Thick.	Edge Dist	Max O.C.	Dia.	Embed.	Min Wall Thick.	Edge Dist	Max O.C.	Dia.	Embed.	Min Wall Thick.	Edge Dist	Max O.C.	Slot Size	Max O.C.					Max O.C.	Min. Thickness
7'-5"	8	3/8	2 1/2	5 3/16	14	3/4	5 1/4	5 3/16	15	3/8	5 3/16	36	1/2	3 5/8	6	5 3/16	36	3/8	2 7/8	4 1/2	5 3/16	28 1/2	1/2	2 1/2	4	5 3/16	36	7/16 x 5/8	36	36	3/16	0	150	0	149
7'-5"	9	1/2	3 1/2	5 3/4	13	3/4	5 1/4	5 3/4	30	1/2	5 3/4	36	1/2	3 5/8	6	5 3/4	36	1/2	2 3/4	4 1/2	5 3/4	16 1/4	1/2	2 1/2	4	5 3/4	36	9/16 x 3/4	36	36	1/4	0	150	0	149
13'-5"	N/A			N/A			6	3/8	5 7/16	16 1/4	3/4	5 9/16	8	5 7/16	36	3/4	5 3/4	8 3/4	5 7/16	N/A					15	7/16 x 5/8	15	10	3/16	896	270	878	270		
13'-5"	8	3/4	4 3/8	5 3/4	N/A			14	1/2	5 3/4	28 1/2	3/4	5 9/16	8	5 3/4	36	3/4	5 3/4	8 3/4	5 3/4	N/A					27	9/16 x 3/4	27	15	1/4	899	271	878	270	
14'-5"	N/A			N/A			6	3/8	5 7/16	N/A					N/A					14	7/16 x 5/8	14	9	3/16	959	290	944	290							
14'-5"	N/A			N/A			13	1/2	5 3/4	19	3/4	5 9/16	8	5 3/4	36	3/4	5 3/4	8 3/4	5 3/4	N/A					25	9/16 x 3/4	25	14	1/4	961	290	944	290		
15'-5"	N/A			N/A			15	5/8	6 1/4	N/A					36	3/4	5 3/4	8 3/4	6 1/4	N/A					36	11/16 x 7/8	36	22	5/16	1031	309	1015	310		
16'-5"	N/A			N/A			14	5/8	6 1/4	N/A					N/A					N/A					36	11/16 x 7/8	36	21	5/16	1098	329	1085	330		
17'-5"	N/A			N/A			16	5/8	6 13/16	N/A					36	3/4	5 3/4	8 3/4	6 13/16	N/A					36	11/16 x 7/8	36	25	5/16	1082	348	1071	349		
18'-5"	N/A			N/A			14	5/8	6 13/16	N/A					N/A					N/A					36	11/16 x 7/8	36	22	5/16	1230	368	1220	369		
19'-5"	N/A			N/A			13	5/8	6 13/16	N/A					N/A					N/A					35	11/16 x 7/8	35	19	5/16	1378	388	1367	389		
20'-5"	N/A			N/A			12	5/8	6 13/16	N/A					N/A					N/A					32	11/16 x 7/8	32	17	5/16	1524	408	1514	410		
21'-5"	N/A			N/A			11	5/8	6 13/16	N/A					N/A					N/A					29	11/16 x 7/8	29	16	5/16	1671	429	1661	430		
22'-5"	N/A			N/A			10	5/8	6 7/8	N/A					N/A					N/A					25	11/16 x 7/8	25	14	5/16	1818	449	1808	450		
23'-5"	N/A			N/A			9	5/8	6 7/8	N/A					N/A					N/A					23	11/16 x 7/8	23	13	5/16	1967	469	1956	470		
24'-5"	N/A			N/A			8	5/8	6 7/8	N/A					N/A					N/A					22	11/16 x 7/8	22	12	5/16	2116	489	2105	491		
25'-5"	N/A			N/A			8	5/8	6 7/8	N/A					N/A					N/A					20	11/16 x 7/8	20	11	5/16	2267	510	2256	511		
26'-5"	N/A			N/A			7	5/8	6 7/8	N/A					N/A					N/A					19	11/16 x 7/8	19	10	5/16	2419	530	2408	532		
27'-5"	N/A			N/A			7	5/8	6 7/8	N/A					N/A					N/A					18	11/16 x 7/8	18	10	5/16	2573	551	2562	552		
28'-5"	N/A			N/A			7	3/4	6 7/8	N/A					N/A					N/A					36	11/16 x 7/8	36	21	3/8	2255	569	2245	569		
29'-5"	N/A			N/A			9	3/4	7 1/2	N/A					N/A					N/A					36	13/16 x 1	36	20	3/8	2387	589	2377	590		
30'-5"	N/A			N/A			9	3/4	7 1/2	N/A					N/A					N/A					35	13/16 x 1	35	19	3/8	2521	609	2511	610		
31'-5"	N/A			N/A			8	3/4	7 1/2	N/A					N/A					N/A					33	13/16 x 1	33	18	3/8	2657	630	2646	630		
32'-5"	N/A			N/A			8	3/4	7 1/2	N/A					N/A					N/A					31	13/16 x 1	31	17	3/8	2794	650	2783	651		
33'-5"	N/A			N/A			7	3/4	7 1/2	N/A					N/A					N/A					30	13/16 x 1	30	16	3/8	2932	671	2922	671		
34'-5"	N/A			N/A			7	3/4	7 1/2	N/A					N/A					N/A					28	13/16 x 1	28	15	3/8	3072	691	3062	692		
35'-5"	N/A			N/A			7	3/4	7 1/2	N/A					N/A					N/A					27	13/16 x 1	27	15	3/8	3214	711	3203	712		



	24 ELMWOOD AVE 1901 S. LITCHFIELD RD MOUNTAINTOP, PA GOODYEAR, AZ	Unless otherwise specified, dimensions are in inches & tolerances are:  0.000 = +/- 0.031 FRACTIONAL = +/- 1/32 ANGLES = +/- 1/2 DEG
	P: 800.390.8590 F: 866.448.6798 E: ADS@COOKSONDOOR.COM	TITLE: WIND LOAD CONFIGURATION NON-INSULATED ROLLING STEEL DOOR CP0020 SLAT IMPACT RATED
	SIZE: B SCALE: AS NOTED SHEET: 28/35	

L'TR	REVISION	DATE	BY	E.C.O.
*	ORIGINAL ISSUE	10/15/14	TJE	1615
A	REFORMATTED TABLES; HOOD SUPPORT UPDATE	02/14/20	MAN	2027

CP0020 - 0.0405 Minimum Thickness Galvanized or Stainless Steel - 50 PSF																							
Concrete Minimum 3,000 PSI Compressive Strength (Anchors are the same diameter as assembly fasteners)																							
DBG Up To	Windlock Flat Location	Slip	Windlock	Guide Assembly	Windlock Weld Pitch	Assembly Fastener Diameter	Assembly Fastener Spacing	Hilti Kwik Bolt 3				Simpson Wedge All				Red Head Tru-Bolt				Powers Wedge-Bolt			
								Max O.C.	Embed	Min. Wall Thick.	Edge Dist	Max O.C.	Embed	Min. Wall Thick.	Edge Dist	Max O.C.	Embed	Min. Wall Thick.	Edge Dist	Max O.C.	Embed	Min. Wall Thick.	Edge Dist
6'-5"	1 1/2	0.656	CP1152 & CP1153	333	12	3/8	18	36	2 3/8	4	5 3/16	14	2 5/8	3 15/16	5 3/16	14	3	4 1/2	5 3/16	11	2	3	5 3/16
6'-5"	1 1/2	0.656	CP1152 & CP1153	344	12	1/2	18	22	2 1/4	4	5 3/4	27	4 1/2	6 3/4	5 3/4	20	4 1/8	6 3/16	5 3/4	13	2 1/2	3 3/4	5 3/4
14'-5"	1 1/2	0.656	CP1152 & CP1153	DC1	8	1/2	12	8	3 1/2	5 1/4	5 3/4	8	4 1/2	6 3/4	5 3/4	N/A				N/A			
15'-5"	1 5/8	0.781	CP1152 & CP1153	445	8	5/8	18	36	4 3/8	8	6 13/16	13	4 1/2	6 3/4	6 13/16	12	7 1/2	11 1/4	6 13/16	8	4	6	6 13/16
16'-5"	1 3/4	0.906	CP1152 & CP1153	445	8	5/8	18	28	4 3/8	8	6 13/16	12	4 1/2	6 3/4	6 13/16	11	7 1/2	11 1/4	6 13/16	8	4	6	6 13/16
17'-5"	2	1.156	CP1152 & CP1153	445	8	5/8	18	28	4 3/8	8	6 13/16	12	4 1/2	6 3/4	6 13/16	11	7 1/2	11 1/4	6 13/16	8	4	6	6 13/16
18'-5"	2	1.156	CP1152 & CP1153	445	8	5/8	18	N/A				11	4 1/2	6 3/4	6 13/16	N/A				10	5	7 1/2	6 13/16
19'-5"	2	1.156	CP1152 & CP1153	546	7	5/8	18	N/A				10	4 1/2	6 3/4	6 7/8	N/A				9	5	7 1/2	6 7/8
20'-5"	2	1.156	CP1152 & CP1153	546	7	5/8	18	N/A				9	4 1/2	6 3/4	6 7/8	N/A				8	5	7 1/2	6 7/8
21'-5"	2	1.156	CP1152 & CP1153	546	7	5/8	17	N/A				8	4 1/2	6 3/4	6 7/8	N/A				7	5	7 1/2	6 7/8
22'-5"	2	1.156	CP1152 & CP1153	546	6	5/8	15	N/A				8	4 1/2	6 3/4	6 7/8	N/A				N/A			
23'-5"	2	1.156	CP1152 & CP1153	546	6	5/8	14	N/A				7	4 1/2	6 3/4	6 7/8	N/A				N/A			
25'-5"	2 1/2	1.656	CP1152 & CP1153	DC2	6	3/4	15	11	4 3/4	7 1/8	7 1/2	11	5	7 1/2	7 1/2	N/A				N/A			
26'-5"	2 1/2	1.656	CP1152 & CP1153	648	6	3/4	18	N/A				9	5	7 1/2	7 1/2	10	6 5/8	9 15/16	7 1/2	N/A			
27'-5"	2 1/2	1.656	CP1152 & CP1153	648	6	3/4	18	N/A				8	5	7 1/2	7 1/2	8	6 5/8	9 15/16	7 1/2	N/A			
28'-5"	2 1/2	1.656	CP1152 & CP1153	648	6	3/4	18	N/A				8	5	7 1/2	7 1/2	6	6 5/8	9 15/16	7 1/2	N/A			
29'-5"	2 1/2	1.656	CP1152 & CP1153	648	6	3/4	17	N/A				7	5	7 1/2	7 1/2	5	6 5/8	9 15/16	7 1/2	N/A			
30'-5"	2 1/2	1.656	CP1152 & CP1153	648	5	3/4	16	N/A				7	5	7 1/2	7 1/2	N/A				N/A			

CP0020 - 0.0405 Minimum Thickness Galvanized or Stainless Steel - 50 PSF, Cont.																					
DBG Up To	Filled CMU												Steel (Wall anchors are the same diameter as assembly fasteners)					Superimposed Loads			
	Hilti Kwik Bolt 3				Simpson Strong-Bolt 2				Through Bolt				Welded		Through Bolt	Tapped		Vx (+)	Vy (+)	Vx (-)	Vy (-)
	Max O.C.	Dia.	Embed	Edge Dist	Max O.C.	Dia.	Embed	Edge Dist	Max O.C.	Dia.	Edge Distance	Max O.C.	Slot Size	Max O.C.	Max O.C.	Min. Thickness					
6'-5"	9	1/2	3 1/2	5 3/16	13	3/4	5 1/4	5 3/16	14	3/8	5 3/16	36	7/16 x 5/8	36	36	3/16	0	162	0	161	
6'-5"	8	1/2	3 1/2	5 3/4	12	3/4	5 1/4	5 3/4	27	1/2	5 3/4	36	9/16 x 3/4	36	36	1/4	0	163	0	161	
14'-5"	N/A				N/A				8	1/2	5 3/4	12	9/16 x 3/4	12	12	1/4	1304	362	1284	363	
15'-5"	N/A				N/A				13	5/8	6 13/16	35	11/16 x 7/8	35	19	5/16	1380	387	1361	388	
16'-5"	N/A				N/A				12	5/8	6 13/16	33	11/16 x 7/8	33	18	5/16	1453	411	1437	412	
17'-5"	N/A				N/A				12	5/8	6 13/16	34	11/16 x 7/8	34	19	5/16	1423	435	1410	436	
18'-5"	N/A				N/A				11	5/8	6 13/16	30	11/16 x 7/8	30	17	5/16	1601	460	1588	462	
19'-5"	N/A				N/A				10	5/8	6 7/8	26	11/16 x 7/8	26	14	5/16	1779	486	1766	487	
20'-5"	N/A				N/A				9	5/8	6 7/8	24	11/16 x 7/8	24	13	5/16	1957	511	1944	512	
21'-5"	N/A				N/A				8	5/8	6 7/8	21	11/16 x 7/8	21	12	5/16	2136	536	2123	538	
22'-5"	N/A				N/A				8	5/8	6 7/8	20	11/16 x 7/8	20	11	5/16	2316	561	2303	563	
23'-5"	N/A				N/A				7	5/8	6 7/8	18	11/16 x 7/8	18	10	5/16	2498	587	2484	589	
25'-5"	N/A				N/A				8	3/4	7 1/2	15	13/16 x 1	15	15	3/8	2364	635	2352	636	
26'-5"	N/A				N/A				9	3/4	7 1/2	35	13/16 x 1	35	19	3/8	2523	661	2511	661	
27'-5"	N/A				N/A				8	3/4	7 1/2	32	13/16 x 1	32	17	3/8	2683	686	2670	687	
28'-5"	N/A				N/A				8	3/4	7 1/2	31	13/16 x 1	31	16	3/8	2845	711	2832	712	
29'-5"	N/A				N/A				7	3/4	7 1/2	29	13/16 x 1	29	16	3/8	3008	737	2996	738	
30'-5"	N/A				N/A				7	3/4	7 1/2	27	13/16 x 1	27	15	3/8	3174	762	3162	763	



Preferred door solutions™

# COOKSON

P: 800.390.8590  
F: 866.448.6798  
E: ADS@COOKSONDOOR.COM

24 ELMWOOD AVE 1901 S. LITCHFIELD RD  
MOUNTAINTOP, PA GOODYEAR, AZ

Unless otherwise specified, dimensions are in inches & tolerances are:

0.000 = +/- 0.031  
FRACTIONAL = +/- 1/32  
ANGLES = +/- 1/2 DEG

TITLE: WIND LOAD CONFIGURATION  
NON-INSULATED ROLLING STEEL DOOR  
CP0020 SLAT IMPACT RATED

DRAWN BY: TJE  
SIZE: B  
SCALE: AS NOTED  
SHEET: 29/35  
DWG NO: ES-16-61-TCCI

L'TR	REVISION	DATE	BY	E.C.O.
*	ORIGINAL ISSUE	10/15/14	TJE	1615
A	REFORMATTED TABLES; HOOD SUPPORT UPDATE	02/14/20	MAN	2027

CP0020 - 0.0405 Minimum Thickness Galvanized or Stainless Steel - 60 PSF																							
Concrete Minimum 3,000 PSI Compressive Strength (Anchors are the same diameter as assembly fasteners)																							
DBG Up To	Windlock Flat Location	Slip	Windlock	Guide Assembly	Windlock Weld Pitch	Assembly Fastener Diameter	Assembly Fastener Spacing	Hilti Kwik Bolt 3				Simpson Wedge All				Red Head Tru-Bolt				Powers Wedge-Bolt			
								Max O.C.	Embed	Min. Wall Thick.	Edge Dist	Max O.C.	Embed	Min. Wall Thick.	Edge Dist	Max O.C.	Embed	Min. Wall Thick.	Edge Dist	Max O.C.	Embed	Min. Wall Thick.	Edge Dist
6'-5"	1 1/2	0.656	CP1152 & CP1153	333	12	3/8	18	14	2 3/8	4	5 3/16	11	2 5/8	3 15/16	5 3/16	12	3	4 1/2	5 3/16	9	2	3	5 3/16
6'-5"	1 1/2	0.656	CP1152 & CP1153	344	12	1/2	18	36	3 5/8	6	5 3/4	23	4 1/2	6 3/4	5 3/4	16	4 1/8	6 3/16	5 3/4	11	2 1/2	3 3/4	5 3/4
14'-5"	1 1/2	0.656	CP1152 & CP1153	DC1	8	1/2	12	8	3 1/2	5 1/4	5 3/4	8	4 1/2	6 3/4	5 3/4	N/A				N/A			
15'-5"	1 5/8	0.781	CP1152 & CP1153	445	7	5/8	18	N/A				10	4 1/2	6 3/4	6 13/16	N/A				9	5	7 1/2	6 13/16
16'-5"	1 3/4	0.906	CP1152 & CP1153	546	7	5/8	18	N/A				10	4 1/2	6 3/4	6 7/8	N/A				9	5	7 1/2	6 7/8
17'-5"	2	1.156	CP1152 & CP1153	546	7	5/8	18	N/A				10	4 1/2	6 3/4	6 7/8	N/A				9	5	7 1/2	6 7/8
18'-5"	2	1.156	CP1152 & CP1153	546	7	5/8	18	N/A				9	4 1/2	6 3/4	6 7/8	N/A				8	5	7 1/2	6 7/8
19'-5"	2	1.156	CP1152 & CP1153	546	7	5/8	16	N/A				8	4 1/2	6 3/4	6 7/8	N/A				7	5	7 1/2	6 7/8
20'-5"	2	1.156	CP1152 & CP1153	546	6	5/8	15	N/A				7	4 1/2	6 3/4	6 7/8	N/A				N/A			
21'-5"	2	1.156	CP1152 & CP1153	546	6	5/8	14	N/A				7	4 1/2	6 3/4	6 7/8	N/A				N/A			
25'-5"	2 1/2	1.656	CP1152 & CP1153	DC2	6	3/4	15	11	4 3/4	7 1/8	7 1/2	11	5	7 1/2	7 1/2	N/A				N/A			
26'-5"	2 1/2	1.656	CP1152 & CP1153	648	5	3/4	16	N/A				7	5	7 1/2	7 1/2	N/A				N/A			
27'-5"	2 1/2	1.656	CP1152 & CP1153	648	5	3/4	15	N/A				7	5	7 1/2	7 1/2	N/A				N/A			

CP0020 - 0.0405 Minimum Thickness Galvanized or Stainless Steel - 60 PSF, Cont.																				
DBG Up To	Filled CMU										Steel (Wall anchors are the same diameter as assembly fasteners)						Superimposed Loads			
	Hilti Kwik Bolt 3				Simpson Strong-Bolt 2				Through Bolt		Welded		Through Bolt	Tapped		Vx (+)	Vy (+)	Vx (-)	Vy (-)	
	Max O.C.	Dia.	Embed	Edge Dist	Max O.C.	Dia.	Embed	Edge Dist	Max O.C.	Dia.	Edge Distance	Max O.C.	Slot Size	Max O.C.	Max O.C.					Min. Thickness
6'-5"	8	3/4	3 1/4	5 3/16	10	3/4	5 1/4	5 3/16	11	3/8	5 3/16	36	7/16 x 5/8	36	36	3/16	0	195	0	193
6'-5"	8	3/4	3 1/4	5 3/4	10	3/4	5 1/4	5 3/4	23	1/2	5 3/4	36	9/16 x 3/4	36	36	1/4	0	195	0	193
14'-5"	N/A				N/A				8	1/2	5 3/4	12	9/16 x 3/4	12	12	1/4	1648	435	1625	436
15'-5"	N/A				N/A				10	5/8	6 13/16	28	11/16 x 7/8	28	15	5/16	1729	464	1707	466
16'-5"	N/A				N/A				10	5/8	6 7/8	26	11/16 x 7/8	26	14	5/16	1808	494	1789	495
17'-5"	N/A				N/A				10	5/8	6 7/8	26	11/16 x 7/8	26	14	5/16	1765	522	1750	524
18'-5"	N/A				N/A				9	5/8	6 7/8	23	11/16 x 7/8	23	13	5/16	1972	553	1957	554
19'-5"	N/A				N/A				8	5/8	6 7/8	21	11/16 x 7/8	21	11	5/16	2180	583	2165	585
20'-5"	N/A				N/A				7	5/8	6 7/8	19	11/16 x 7/8	19	10	5/16	2390	613	2374	615
21'-5"	N/A				N/A				7	5/8	6 7/8	18	11/16 x 7/8	18	10	5/16	2600	644	2585	646
25'-5"	N/A				N/A				8	3/4	7 1/2	15	13/16 x 1	15	15	3/8	2863	762	2849	763
26'-5"	N/A				N/A				7	3/4	7 1/2	28	13/16 x 1	28	15	3/8	3052	793	3037	794
27'-5"	N/A				N/A				7	3/4	7 1/2	27	13/16 x 1	27	14	3/8	3242	824	3227	825



	24 ELMWOOD AVE 1901 S. LITCHFIELD RD MOUNTAINTOP, PA GOODYEAR, AZ	Unless otherwise specified, dimensions are in inches & tolerances are:  0.000 = +/- 0.031 FRACTIONAL = +/- 1/32 ANGLES = +/- 1/2 DEG
	P: 800.390.8590 F: 866.448.6798 E: ADS@COOKSONDOOR.COM	TITLE: WIND LOAD CONFIGURATION NON-INSULATED ROLLING STEEL DOOR CP0020 SLAT IMPACT RATED

L'TR	REVISION	DATE	BY	E.C.O.
*	ORIGINAL ISSUE	10/15/14	TJE	1615
A	REFORMATTED TABLES; HOOD SUPPORT UPDATE	02/14/20	MAN	2027

CP0020 - 0.0405 Minimum Thickness Galvanized or Stainless Steel - 65 PSF																							
Concrete Minimum 3,000 PSI Compressive Strength (Anchors are the same diameter as assembly fasteners)																							
DBG Up To	Windlock Flat Location	Slip	Windlock	Guide Assembly	Windlock Weld Pitch	Assembly Fastener Diameter	Assembly Fastener Spacing	Hilti Kwik Bolt 3				Simpson Wedge All				Red Head Tru-Bolt				Powers Wedge-Bolt			
								Max O.C.	Embed	Min. Wall Thick.	Edge Dist	Max O.C.	Embed	Min. Wall Thick.	Edge Dist	Max O.C.	Embed	Min. Wall Thick.	Edge Dist	Max O.C.	Embed	Min. Wall Thick.	Edge Dist
5'-5"	1 1/2	0.656	CP1152 & CP1153	333	12	3/8	18	28	2 3/8	4	5 3/16	12	2 5/8	3 15/16	5 3/16	13	3	4 1/2	5 3/16	10	2	3	5 3/16
5'-5"	1 1/2	0.656	CP1152 & CP1153	344	12	1/2	18	7	2 1/4	4	5 3/4	25	4 1/2	6 3/4	5 3/4	18	4 1/8	6 3/16	5 3/4	12	2 1/2	3 3/4	5 3/4
14'-5"	1 1/2	0.656	CP1152 & CP1153	DC1	8	1/2	12	8	3 1/2	5 1/4	5 3/4	8	4 1/2	6 3/4	5 3/4	N/A				N/A			
15'-5"	1 5/8	0.781	CP1152 & CP1153	546	7	5/8	18	N/A				10	4 1/2	6 3/4	6 7/8	N/A				8	5	7 1/2	6 7/8
16'-5"	1 3/4	0.906	CP1152 & CP1153	546	7	5/8	18	N/A				9	4 1/2	6 3/4	6 7/8	N/A				8	5	7 1/2	6 7/8
17'-5"	2	1.156	CP1152 & CP1153	546	7	5/8	18	N/A				9	4 1/2	6 3/4	6 7/8	N/A				8	5	7 1/2	6 7/8
18'-5"	2	1.156	CP1152 & CP1153	546	7	5/8	16	N/A				8	4 1/2	6 3/4	6 7/8	N/A				7	5	7 1/2	6 7/8
19'-5"	2	1.156	CP1152 & CP1153	546	6	5/8	15	N/A				7	4 1/2	6 3/4	6 7/8	N/A				N/A			
20'-5"	2	1.156	CP1152 & CP1153	546	6	5/8	13	N/A				7	4 1/2	6 3/4	6 7/8	N/A				N/A			
25'-5"	2 1/2	1.656	CP1152 & CP1153	DC2	6	3/4	15	11	4 3/4	7 1/8	7 1/2	11	5	7 1/2	7 1/2	N/A				N/A			

CP0020 - 0.0405 Minimum Thickness Galvanized or Stainless Steel - 65 PSF, Cont.																				
DBG Up To	Filled CMU											Steel (Wall anchors are the same diameter as assembly fasteners)					Superimposed Loads			
	Hilti Kwik Bolt 3				Simpson Strong-Bolt 2				Through Bolt			Welded		Through Bolt	Tapped		Vx (+)	Vy (+)	Vx (-)	Vy (-)
	Max O.C.	Dia.	Embed	Edge Dist	Max O.C.	Dia.	Embed	Edge Dist	Max O.C.	Dia.	Edge Distance	Max O.C.	Slot Size	Max O.C.	Max O.C.	Min. Thickness				
5'-5"	8	1/2	3 1/2	5 3/16	11	3/4	5 1/4	5 3/16	12	3/8	5 3/16	36	7/16 x 5/8	36	36	3/16	0	179	0	177
5'-5"	8	3/4	3 1/4	5 3/4	10	3/4	5 1/4	5 3/4	25	1/2	5 3/4	36	9/16 x 3/4	36	36	1/4	0	179	0	177
14'-5"	N/A				N/A				8	1/2	5 3/4	12	9/16 x 3/4	12	12	1/4	1820	472	1796	472
15'-5"	N/A				N/A				10	5/8	6 7/8	24	11/16 x 7/8	24	13	5/16	1904	503	1880	505
16'-5"	N/A				N/A				9	5/8	6 7/8	23	11/16 x 7/8	23	13	5/16	1986	535	1965	537
17'-5"	N/A				N/A				9	5/8	6 7/8	24	11/16 x 7/8	24	13	5/16	1935	566	1919	568
18'-5"	N/A				N/A				8	5/8	6 7/8	21	11/16 x 7/8	21	12	5/16	2158	599	2142	601
19'-5"	N/A				N/A				7	5/8	6 7/8	19	11/16 x 7/8	19	10	5/16	2381	632	2365	634
20'-5"	N/A				N/A				7	5/8	6 7/8	18	11/16 x 7/8	18	9	5/16	2606	665	2590	667
25'-5"	N/A				N/A				8	3/4	7 1/2	15	13/16 x 1	15	15	3/8	3113	826	3097	827



	24 ELMWOOD AVE 1901 S. LITCHFIELD RD MOUNTAINTOP, PA GOODYEAR, AZ	Unless otherwise specified, dimensions are in inches & tolerances are:  0.000 = +/- 0.031 FRACTIONAL = +/- 1/32 ANGLES = +/- 1/2 DEG
	P: 800.390.8590 F: 866.448.6798 E: ADS@COOKSONDOOR.COM	TITLE: WIND LOAD CONFIGURATION NON-INSULATED ROLLING STEEL DOOR CP0020 SLAT IMPACT RATED

L/TR	REVISION	DATE	BY	E.C.O.
*	ORIGINAL ISSUE	10/15/14	TJE	1615
A	REFORMATTED TABLES; HOOD SUPPORT UPDATE	02/14/20	MAN	2027

CP0020 - 0.0405 Minimum Thickness Galvanized or Stainless Steel - 70 PSF																							
Concrete Minimum 3,000 PSI Compressive Strength (Anchors are the same diameter as assembly fasteners)																							
DBG Up To	Windlock Flat Location	Slip	Windlock	Guide Assembly	Windlock Weld Pitch	Assembly Fastener Diameter	Assembly Fastener Spacing	Hilti Kwik Bolt 3				Simpson Wedge All				Red Head Tru-Bolt				Powers Wedge-Bolt			
								Max O.C.	Embed	Min. Wall Thick.	Edge Dist	Max O.C.	Embed	Min. Wall Thick.	Edge Dist	Max O.C.	Embed	Min. Wall Thick.	Edge Dist	Max O.C.	Embed	Min. Wall Thick.	Edge Dist
5'-5"	1 1/2	0.656	CP1152 & CP1153	333	12	3/8	18	16	2 3/8	4	5 3/16	11	2 5/8	3 15/16	5 3/16	12	3	4 1/2	5 3/16	9	2	3	5 3/16
5'-5"	1 1/2	0.656	CP1152 & CP1153	344	12	1/2	18	36	3 5/8	6	5 3/4	23	4 1/2	6 3/4	5 3/4	17	4 1/8	6 3/16	5 3/4	11	2 1/2	3 3/4	5 3/4
14'-5"	1 1/2	0.656	CP1152 & CP1153	546	7	5/8	18		N/A			9	4 1/2	6 3/4	6 7/8		N/A			8	5	7 1/2	6 7/8
15'-5"	1 5/8	0.781	CP1152 & CP1153	546	7	5/8	18		N/A			9	4 1/2	6 3/4	6 7/8		N/A			8	5	7 1/2	6 7/8
16'-5"	1 3/4	0.906	CP1152 & CP1153	546	7	5/8	17		N/A			8	4 1/2	6 3/4	6 7/8		N/A			7	5	7 1/2	6 7/8
17'-5"	2	1.156	CP1152 & CP1153	546	7	5/8	16		N/A			8	4 1/2	6 3/4	6 7/8		N/A			7	5	7 1/2	6 7/8
18'-5"	2	1.156	CP1152 & CP1153	546	6	5/8	15		N/A			7	4 1/2	6 3/4	6 7/8		N/A						
19'-5"	2	1.156	CP1152 & CP1153	546	6	5/8	14		N/A			7	4 1/2	6 3/4	6 7/8		N/A						
20'-5"	2 1/2	1.656	CP1152 & CP1153	648	6	3/4	18		N/A			9	5	7 1/2	7 1/2	10	6 5/8	9 15/16	7 1/2				
21'-5"	2 1/2	1.656	CP1152 & CP1153	648	6	3/4	18		N/A			8	5	7 1/2	7 1/2	9	6 5/8	9 15/16	7 1/2				
22'-5"	2 1/2	1.656	CP1152 & CP1153	648	6	3/4	18		N/A			8	5	7 1/2	7 1/2	7	6 5/8	9 15/16	7 1/2				
23'-5"	2 1/2	1.656	CP1152 & CP1153	648	6	3/4	17		N/A			7	5	7 1/2	7 1/2	5	6 5/8	9 15/16	7 1/2				
24'-5"	2 1/2	1.656	CP1152 & CP1153	648	5	3/4	16		N/A			7	5	7 1/2	7 1/2		N/A						

CP0020 - 0.0405 Minimum Thickness Galvanized or Stainless Steel - 70 PSF, Cont.																				
DBG Up To	Filled CMU											Steel (Wall anchors are the same diameter as assembly fasteners)					Superimposed Loads			
	Hilti Kwik Bolt 3				Simpson Strong-Bolt 2				Through Bolt			Welded		Through Bolt	Tapped		Vx (+)	Vy (+)	Vx (-)	Vy (-)
	Max O.C.	Dia.	Embed	Edge Dist	Max O.C.	Dia.	Embed	Edge Dist	Max O.C.	Dia.	Edge Distance	Max O.C.	Slot Size	Max O.C.	Max O.C.	Min. Thickness				
5'-5"	8	3/4	3 1/4	5 3/16	10	3/4	5 1/4	5 3/16	11	3/8	5 3/16	36	7/16 x 5/8	36	36	3/16	0	192	0	190
5'-5"	8	3/4	3 1/4	5 3/4	10	3/4	5 1/4	5 3/4	23	1/2	5 3/4	36	9/16 x 3/4	36	36	1/4	0	193	0	190
14'-5"		N/A				N/A			9	5/8	6 7/8	23	11/16 x 7/8	23	13	5/16	2002	507	1973	509
15'-5"		N/A				N/A			9	5/8	6 7/8	22	11/16 x 7/8	22	12	5/16	2078	542	2053	544
16'-5"		N/A				N/A			8	5/8	6 7/8	21	11/16 x 7/8	21	12	5/16	2163	576	2141	578
17'-5"		N/A				N/A			8	5/8	6 7/8	22	11/16 x 7/8	22	12	5/16	2106	609	2089	612
18'-5"		N/A				N/A			7	5/8	6 7/8	20	11/16 x 7/8	20	11	5/16	2343	645	2326	647
19'-5"		N/A				N/A			7	5/8	6 7/8	18	11/16 x 7/8	18	10	5/16	2582	680	2564	683
20'-5"		N/A				N/A			9	3/4	7 1/2	36	13/16 x 1	36	20	3/8	2314	713	2298	714
21'-5"		N/A				N/A			8	3/4	7 1/2	34	13/16 x 1	34	18	3/8	2519	749	2503	749
22'-5"		N/A				N/A			8	3/4	7 1/2	32	13/16 x 1	32	17	3/8	2726	784	2710	785
23'-5"		N/A				N/A			7	3/4	7 1/2	30	13/16 x 1	30	16	3/8	2936	819	2920	820
24'-5"		N/A				N/A			7	3/4	7 1/2	28	13/16 x 1	28	15	3/8	3148	855	3132	856



	24 ELMWOOD AVE 1901 S. LITCHFIELD RD MOUNTAINTOP, PA GOODYEAR, AZ	Unless otherwise specified, dimensions are in inches & tolerances are:  0.000 = +/- 0.031 FRACTIONAL = +/- 1/32 ANGLES = +/- 1/2 DEG
	P: 800.390.8590 F: 866.448.6798 E: ADS@COOKSONDOOR.COM	TITLE: WIND LOAD CONFIGURATION NON-INSULATED ROLLING STEEL DOOR CP0020 SLAT IMPACT RATED



L'TR	REVISION	DATE	BY	E.C.O.
*	ORIGINAL ISSUE	10/15/14	TJE	1615
A	REFORMATTED TABLES; HOOD SUPPORT UPDATE	02/14/20	MAN	2027

CP0020 - 0.0405 Minimum Thickness Galvanized or Stainless Steel - 80 PSF																							
Concrete Minimum 3,000 PSI Compressive Strength (Anchors are the same diameter as assembly fasteners)																							
DBG Up To	Windlock Flat Location	Slip	Windlock	Guide Assembly	Windlock Weld Pitch	Assembly Fastener Diameter	Assembly Fastener Spacing	Hilti Kwik Bolt 3				Simpson Wedge All				Red Head Tru-Bolt				Powers Wedge-Bolt			
								Max O.C.	Embed	Min. Wall Thick.	Edge Dist	Max O.C.	Embed	Min. Wall Thick.	Edge Dist	Max O.C.	Embed	Min. Wall Thick.	Edge Dist	Max O.C.	Embed	Min. Wall Thick.	Edge Dist
5'-5"	1 1/2	0.656	CP1152 & CP1153	333	12	3/8	18	11	2 3/8	5	5 3/16	10	2 5/8	3 15/16	5 3/16	10	3	4 1/2	5 3/16	8	2	3	5 3/16
5'-5"	1 1/2	0.656	CP1152 & CP1153	344	12	1/2	18	36	3 5/8	6	5 3/4	20	4 1/2	6 3/4	5 3/4	14	4 1/8	6 3/16	5 3/4	10	2 1/2	3 3/4	5 3/4
14'-5"	1 1/2	0.656	CP1152 & CP1153	546	6	5/8	16	N/A				8	4 1/2	6 3/4	6 7/8	N/A				N/A			
15'-5"	1 5/8	0.781	CP1152 & CP1153	546	6	5/8	15	N/A				7	4 1/2	6 3/4	6 7/8	N/A				N/A			
16'-5"	1 3/4	0.906	CP1152 & CP1153	546	6	5/8	14	N/A				7	4 1/2	6 3/4	6 7/8	N/A				N/A			
17'-5"	2	1.156	CP1152 & CP1153	546	6	5/8	14	N/A				7	4 1/2	6 3/4	6 7/8	N/A				N/A			
18'-5"	2 1/4	1.406	CP1152 & CP1153	648	6	3/4	18	N/A				9	5	7 1/2	7 1/2	10	6 5/8	9 15/16	7 1/2	N/A			
19'-5"	2 1/2	1.656	CP1152 & CP1153	648	6	3/4	18	N/A				9	5	7 1/2	7 1/2	10	6 5/8	9 15/16	7 1/2	N/A			
20'-5"	2 1/2	1.656	CP1152 & CP1153	648	6	3/4	18	N/A				8	5	7 1/2	7 1/2	7	6 5/8	9 15/16	7 1/2	N/A			
21'-5"	2 1/2	1.656	CP1152 & CP1153	648	6	3/4	17	N/A				7	5	7 1/2	7 1/2	5	6 5/8	9 15/16	7 1/2	N/A			
22'-5"	2 1/2	1.656	CP1152 & CP1153	648	5	3/4	16	N/A				7	5	7 1/2	7 1/2	N/A				N/A			

CP0020 - 0.0405 Minimum Thickness Galvanized or Stainless Steel - 80 PSF, Cont.																				
DBG Up To	Filled CMU											Steel (Wall anchors are the same diameter as assembly fasteners)					Superimposed Loads			
	Hilti Kwik Bolt 3				Simpson Strong-Bolt 2				Through Bolt			Welded		Through Bolt	Tapped		Vx (+)	Vy (+)	Vx (-)	Vy (-)
	Max O.C.	Dia.	Embed	Edge Dist	Max O.C.	Dia.	Embed	Edge Dist	Max O.C.	Dia.	Edge Distance	Max O.C.	Slot Size	Max O.C.	Max O.C.	Min. Thickness				
5'-5"	12	3/4	4 3/8	5 3/16	9	3/4	5 1/4	5 3/16	10	3/8	5 3/16	36	7/16 x 5/8	36	36	3/16	0	220	0	217
5'-5"	11	3/4	4 3/8	5 3/4	8	3/4	5 1/4	5 3/4	20	1/2	5 3/4	36	9/16 x 3/4	36	36	1/4	0	220	0	217
14'-5"	N/A				N/A				8	5/8	6 7/8	20	11/16 x 7/8	20	11	5/16	2348	580	2316	582
15'-5"	N/A				N/A				7	5/8	6 7/8	19	11/16 x 7/8	19	10	5/16	2427	619	2399	622
16'-5"	N/A				N/A				7	5/8	6 7/8	18	11/16 x 7/8	18	10	5/16	2518	659	2493	661
17'-5"	N/A				N/A				7	5/8	6 7/8	19	11/16 x 7/8	19	10	5/16	2447	697	2428	699
18'-5"	N/A				N/A				9	3/4	7 1/2	35	13/16 x 1	35	19	3/8	2437	737	2414	737
19'-5"	N/A				N/A				9	3/4	7 1/2	35	13/16 x 1	35	19	3/8	2444	775	2425	776
20'-5"	N/A				N/A				8	3/4	7 1/2	32	13/16 x 1	32	17	3/8	2674	815	2655	816
21'-5"	N/A				N/A				7	3/4	7 1/2	30	13/16 x 1	30	16	3/8	2905	856	2887	857
22'-5"	N/A				N/A				7	3/4	7 1/2	28	13/16 x 1	28	15	3/8	3140	896	3122	897



	24 ELMWOOD AVE 1901 S. LITCHFIELD RD MOUNTAINTOP, PA GOODYEAR, AZ	Unless otherwise specified, dimensions are in inches & tolerances are:  0.000 = +/- 0.031 FRACTIONAL = +/- 1/32 ANGLES = +/- 1/2 DEG
	P: 800.390.8590 F: 866.448.6798 E: ADS@COOKSONDOOR.COM	TITLE: WIND LOAD CONFIGURATION NON-INSULATED ROLLING STEEL DOOR CP0020 SLAT IMPACT RATED
	SIZE: B SCALE: AS NOTED SHEET: 33/35	

L'TR	REVISION	DATE	BY	E.C.O.
*	ORIGINAL ISSUE	10/15/14	TJE	1615
A	REFORMATTED TABLES; HOOD SUPPORT UPDATE	02/14/20	MAN	2027

CP0020 - 0.0405 Minimum Thickness Galvanized or Stainless Steel - 90 PSF																							
Concrete Minimum 3,000 PSI Compressive Strength (Anchors are the same diameter as assembly fasteners)																							
DBG Up To	Windlock Flat Location	Slip	Windlock	Guide Assembly	Windlock Weld Pitch	Assembly Fastener Diameter	Assembly Fastener Spacing	Hilti Kwik Bolt 3				Simpson Wedge All				Red Head Tru-Bolt				Powers Wedge-Bolt			
								Max O.C.	Embed	Min. Wall Thick.	Edge Dist	Max O.C.	Embed	Min. Wall Thick.	Edge Dist	Max O.C.	Embed	Min. Wall Thick.	Edge Dist	Max O.C.	Embed	Min. Wall Thick.	Edge Dist
4'-5"	1 1/2	0.656	CP1152 & CP1153	333	12	3/8	18	9	2 3/8	4	5 3/16	11	2 5/8	3 15/16	5 3/16	11	3	4 1/2	5 3/16	8	2	3	5 3/16
4'-5"	1 1/2	0.656	CP1152 & CP1153	344	12	1/2	18	36	3 5/8	6	5 3/4	22	4 1/2	6 3/4	5 3/4	16	4 1/8	6 3/16	5 3/4	11	2 1/2	3 3/4	5 3/4
14'-5"	1 1/2	0.656	CP1152 & CP1153	546	6	5/8	14	N/A				7	4 1/2	6 3/4	6 7/8	N/A				N/A			
15'-5"	1 5/8	0.781	CP1152 & CP1153	648	6	3/4	18	N/A				8	5	7 1/2	7 1/2	8	6 5/8	9 15/16	7 1/2	N/A			
16'-5"	1 3/4	0.906	CP1152 & CP1153	648	6	3/4	18	N/A				8	5	7 1/2	7 1/2	7	6 5/8	9 15/16	7 1/2	N/A			
17'-5"	2	1.156	CP1152 & CP1153	648	6	3/4	18	N/A				8	5	7 1/2	7 1/2	7	6 5/8	9 15/16	7 1/2	N/A			
18'-5"	2 1/4	1.406	CP1152 & CP1153	648	6	3/4	18	N/A				8	5	7 1/2	7 1/2	7	6 5/8	9 15/16	7 1/2	N/A			
19'-5"	2 1/2	1.656	CP1152 & CP1153	648	6	3/4	17	N/A				7	5	7 1/2	7 1/2	6	6 5/8	9 15/16	7 1/2	N/A			
20'-5"	2 1/2	1.656	CP1152 & CP1153	648	6	3/4	16	N/A				7	5	7 1/2	7 1/2	N/A				N/A			

CP0020 - 0.0405 Minimum Thickness Galvanized or Stainless Steel - 90 PSF, Cont.																						
DBG Up To	Filled CMU												Steel (Wall anchors are the same diameter as assembly fasteners)						Superimposed Loads			
	Hilti Kwik Bolt 3				Simpson Strong-Bolt 2				Through Bolt				Welded		Through Bolt	Tapped		Vx (+)	Vy (+)	Vx (-)	Vy (-)	
	Max O.C.	Dia.	Embed	Edge Dist	Max O.C.	Dia.	Embed	Edge Dist	Max O.C.	Dia.	Edge Distance	Max O.C.	Slot Size	Max O.C.	Max O.C.	Min. Thickness						
4'-5"	8	3/4	3 1/4	5 3/16	10	3/4	5 1/4	5 3/16	11	3/8	5 3/16	36	7/16 x 5/8	36	36	3/16	0	202	0	199		
4'-5"	12	3/4	4 3/8	5 3/4	9	3/4	5 1/4	5 3/4	22	1/2	5 3/4	36	9/16 x 3/4	36	36	1/4	0	203	0	199		
14'-5"	N/A				N/A				7	5/8	6 7/8	17	11/16 x 7/8	17	9	5/16	2694	653	2658	656		
15'-5"	N/A				N/A				8	3/4	7 1/2	31	13/16 x 1	31	17	3/8	2791	699	2748	700		
16'-5"	N/A				N/A				8	3/4	7 1/2	30	13/16 x 1	30	16	3/8	2886	743	2848	744		
17'-5"	N/A				N/A				8	3/4	7 1/2	31	13/16 x 1	31	17	3/8	2801	786	2770	787		
18'-5"	N/A				N/A				8	3/4	7 1/2	31	13/16 x 1	31	17	3/8	2773	829	2748	830		
19'-5"	N/A				N/A				7	3/4	7 1/2	31	13/16 x 1	31	17	3/8	2777	872	2757	873		
20'-5"	N/A				N/A				7	3/4	7 1/2	28	13/16 x 1	28	15	3/8	3033	918	3013	919		



	24 ELMWOOD AVE 1901 S. LITCHFIELD RD MOUNTAINTOP, PA GOODYEAR, AZ	Unless otherwise specified, dimensions are in inches & tolerances are:  0.000 = +/- 0.031 FRACTIONAL = +/- 1/32 ANGLES = +/- 1/2 DEG
	P: 800.390.8590 F: 866.448.6798 E: ADS@COOKSONDOOR.COM	TITLE: WIND LOAD CONFIGURATION NON-INSULATED ROLLING STEEL DOOR CP0020 SLAT IMPACT RATED

L'TR	REVISION	DATE	BY	E.C.O.
*	ORIGINAL ISSUE	10/15/14	TJE	1615
A	REFORMATTED TABLES; HOOD SUPPORT UPDATE	02/14/20	MAN	2027

CP0020 - 0.0405 Minimum Thickness Galvanized or Stainless Steel - 100 PSF																							
Concrete Minimum 3,000 PSI Compressive Strength (Anchors are the same diameter as assembly fasteners)																							
DBG Up To	Windlock Flat Location	Slip	Windlock	Guide Assembly	Windlock Weld Pitch	Assembly Fastener Diameter	Assembly Fastener Spacing	Hilti Kwik Bolt 3				Simpson Wedge All				Red Head Tru-Bolt				Powers Wedge-Bolt			
								Max O.C.	Embed	Min. Wall Thick.	Edge Dist	Max O.C.	Embed	Min. Wall Thick.	Edge Dist	Max O.C.	Embed	Min. Wall Thick.	Edge Dist	Max O.C.	Embed	Min. Wall Thick.	Edge Dist
4'-5"	1 1/2	0.656	CP1152 & CP1153	333	12	3/8	18	8	2 3/8	5	5 3/16	10	2 5/8	3 15/16	5 3/16	10	3	4 1/2	5 3/16	8	2	3	5 3/16
4'-5"	1 1/2	0.656	CP1152 & CP1153	344	12	1/2	18	36	3 5/8	6	5 3/4	20	4 1/2	6 3/4	5 3/4	14	4 1/8	6 3/16	5 3/4	9	2 1/2	3 3/4	5 3/4
14'-5"	1 1/2	0.656	CP1152 & CP1153	648	5	3/4	18	N/A				7	5	7 1/2	7 1/2	5	6 5/8	9 15/16	7 1/2	N/A			
15'-5"	1 5/8	0.781	CP1152 & CP1153	648	5	3/4	17	N/A				7	5	7 1/2	7 1/2	N/A				N/A			
16'-5"	1 3/4	0.906	CP1152 & CP1153	648	5	3/4	17	N/A				7	5	7 1/2	7 1/2	N/A				N/A			
17'-5"	2	1.156	CP1152 & CP1153	648	5	3/4	16	N/A				7	5	7 1/2	7 1/2	N/A				N/A			
18'-5"	2 1/4	1.406	CP1152 & CP1153	648	5	3/4	16	N/A				7	5	7 1/2	7 1/2	N/A				N/A			
19'-5"	2 1/2	1.656	CP1152 & CP1153	648	5	3/4	15	N/A				7	5	7 1/2	7 1/2	N/A				N/A			

CP0020 - 0.0405 Minimum Thickness Galvanized or Stainless Steel - 100 PSF, Cont.																					
DBG Up To	Filled CMU												Steel (Wall anchors are the same diameter as assembly fasteners)					Superimposed Loads			
	Hilti Kwik Bolt 3				Simpson Strong-Bolt 2				Through Bolt				Welded		Through Bolt	Tapped		Vx (+)	Vy (+)	Vx (-)	Vy (-)
	Max O.C.	Dia.	Embed	Edge Dist	Max O.C.	Dia.	Embed	Edge Dist	Max O.C.	Dia.	Edge Distance	Max O.C.	Slot Size	Max O.C.	Max O.C.	Min. Thickness					
4'-5"	12	3/4	4 3/8	5 3/16	9	3/4	5 1/4	5 3/16	10	3/8	5 3/16	36	7/16 x 5/8	36	36	3/16	0	224	0	221	
4'-5"	11	3/4	4 3/8	5 3/4	8	3/4	5 1/4	5 3/4	20	1/2	5 3/4	36	9/16 x 3/4	36	36	1/4	0	225	0	221	
14'-5"	N/A				N/A				7	3/4	7 1/2	29	13/16 x 1	29	15	3/8	3057	728	3004	729	
15'-5"	N/A				N/A				7	3/4	7 1/2	28	13/16 x 1	28	15	3/8	3142	777	3095	778	
16'-5"	N/A				N/A				7	3/4	7 1/2	27	13/16 x 1	27	14	3/8	3243	826	3201	827	
17'-5"	N/A				N/A				7	3/4	7 1/2	28	13/16 x 1	28	15	3/8	3144	874	3110	875	
18'-5"	N/A				N/A				7	3/4	7 1/2	28	13/16 x 1	28	15	3/8	3109	921	3081	923	
19'-5"	N/A				N/A				7	3/4	7 1/2	28	13/16 x 1	28	15	3/8	3111	969	3089	970	



	24 ELMWOOD AVE 1901 S. LITCHFIELD RD MOUNTAINTOP, PA GOODYEAR, AZ	Unless otherwise specified, dimensions are in inches & tolerances are:  0.000 = +/- 0.031 FRACTIONAL = +/- 1/32 ANGLES = +/- 1/2 DEG
	P: 800.390.8590 F: 866.448.6798 E: ADS@COOKSONDOOR.COM	TITLE: WIND LOAD CONFIGURATION NON-INSULATED ROLLING STEEL DOOR CP0020 SLAT IMPACT RATED