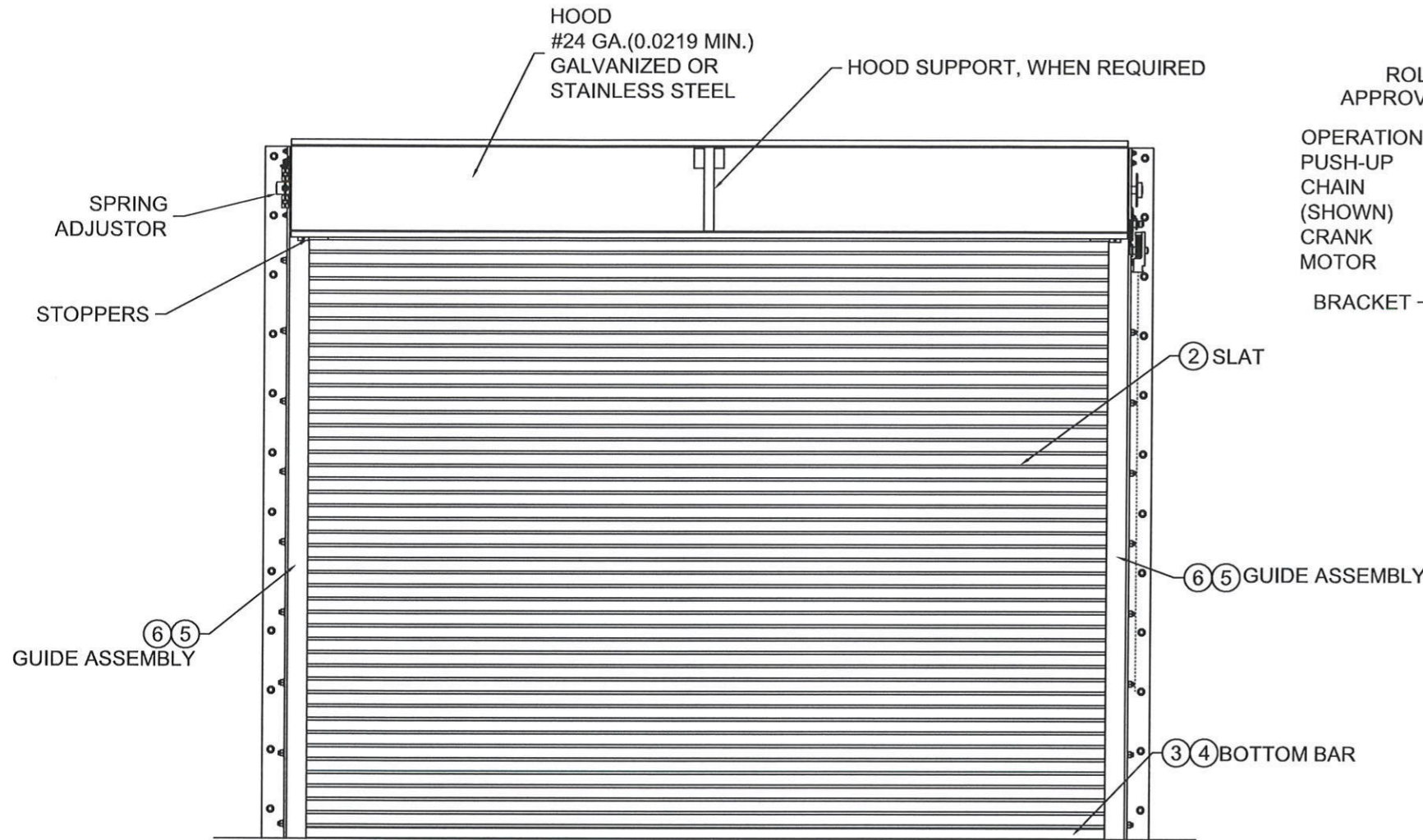
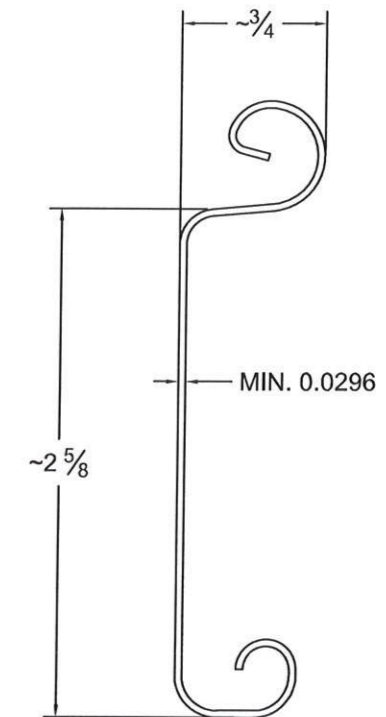
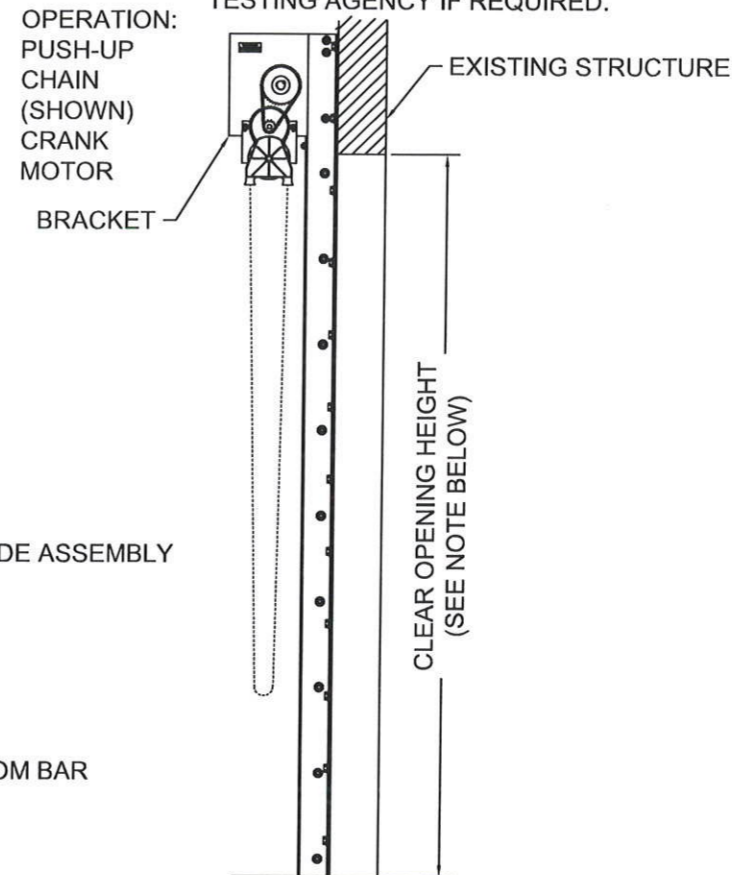


L'TR	REVISION	DATE	BY	E.C.O.
*	ORIGINAL ISSUE	10/15/14	TJE	1615



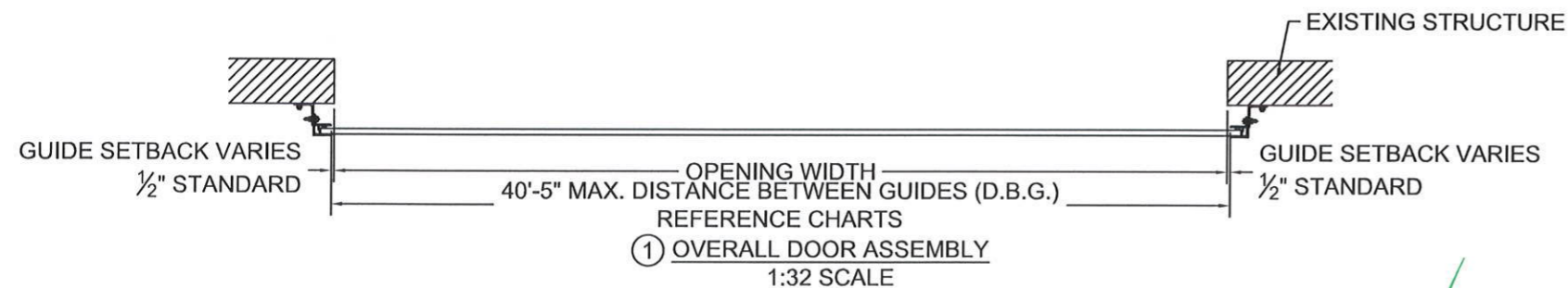
ROLL-UP MECHANISM NOT INCLUDED IN THIS APPROVAL. MUST BE CERTIFIED BY AN INDEPENDENT TESTING AGENCY IF REQUIRED.



② SLAT DETAIL  
TYPICAL SECTION


ASTM A653 HSLAS TYPE B GRADE 40 G40 OR  
ASTM A653 HSLAS TYPE A GRADE 40 G40 OR  
ASTM A653 STRUCTURAL STEEL GRADE 40 G40  
OR TYPE 304 STAINLESS STEEL (MIN. YIELD 40,000 psi)  
OR TYPE 316 STAINLESS STEEL (MIN. YIELD 40,000 psi)  
OR TYPE 430 STAINLESS STEEL (MIN. YIELD 40,000 psi)  
OR TYPE 201 STAINLESS STEEL (MIN. YIELD 40,000 psi)  
FULL SCALE

NOTE: WIND LOADS SPECIFIED IN TABLES ARE ACCEPTABLE FOR ANY C.O.H.. FOR GREATER THAN 30 FT, C.O.H., MOUNTING CONDITIONS SHALL BE DETERMINED ON A SITE SPECIFIC BASIS.



① OVERALL DOOR ASSEMBLY  
1:32 SCALE

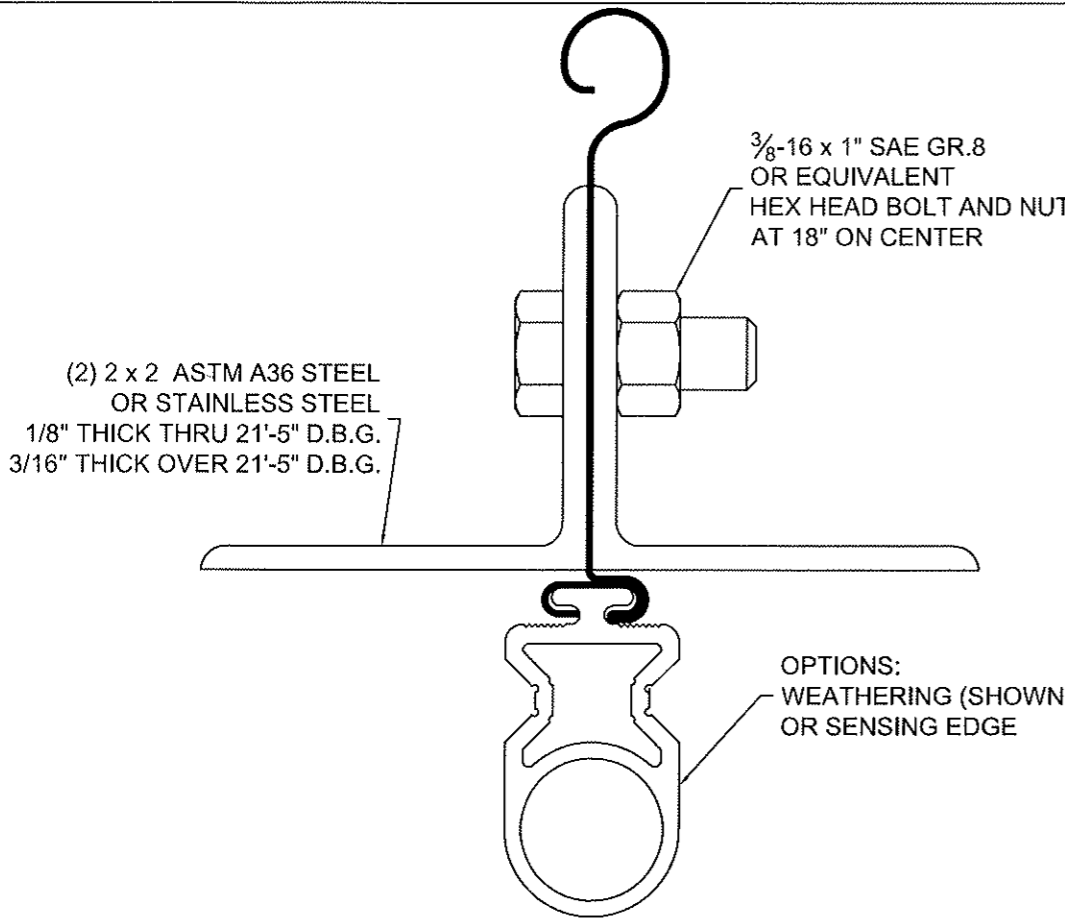


 <b>COOKSON</b> <small>THE COOKSON COMPANY, INC.</small>	24 ELMWOOD AVE 1901 S. LITCHFIELD RD MOUNTAINTOP, PA GOODYEAR, AZ 800 TULIP DRIVE GASTONIA, NC P: 800.390.8590 F: 866.448.6798 E: ADS@COOKSONDOOR.COM	Unless otherwise specified, dimensions are in inches & tolerances are:  0.000 = +/- 0.031 FRACTIONAL = +/- 1/32 ANGLES = +/- 1/2 DEG			
		TITLE: <b>WIND LOAD CONFIGURATION NON-INSULATED ROLLING STEEL DOOR CP0020 SLAT IMPACT RATED</b>	DRAWN BY: <b>TJE</b>	SIZE: <b>B</b>	SCALE: <b>AS NOTED</b>
DWG NO: <b>ES-16-61-TCCI</b>					

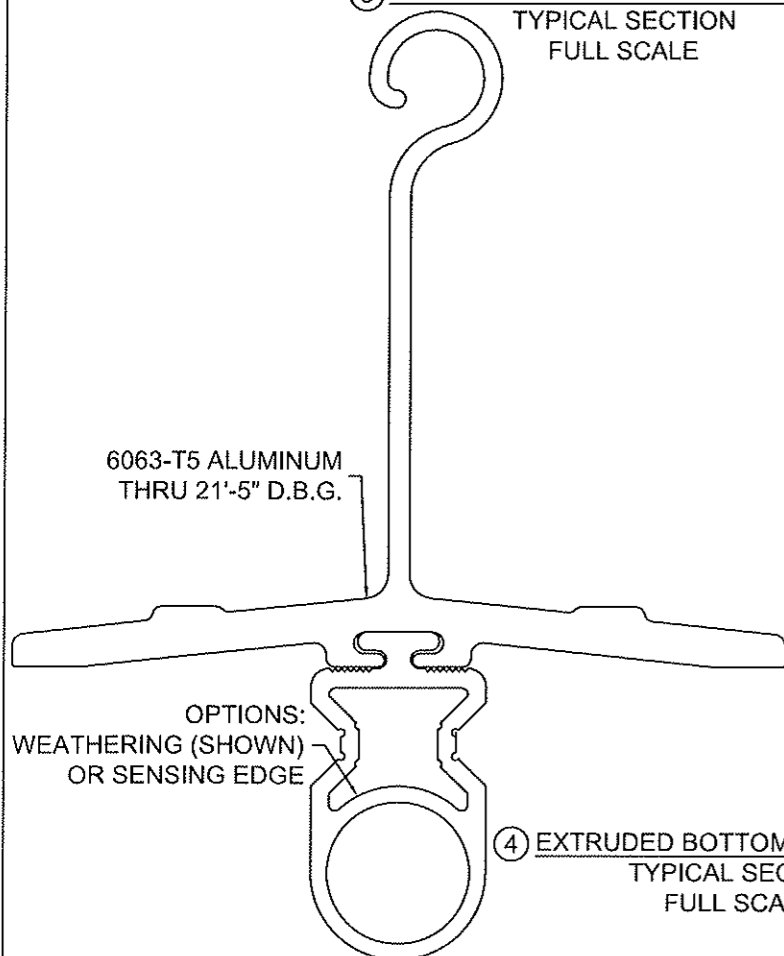
L'TR	REVISION	DATE	BY	E.C.O.
*	ORIGINAL ISSUE	10/15/14	TJE	1615

**GENERAL NOTES:**

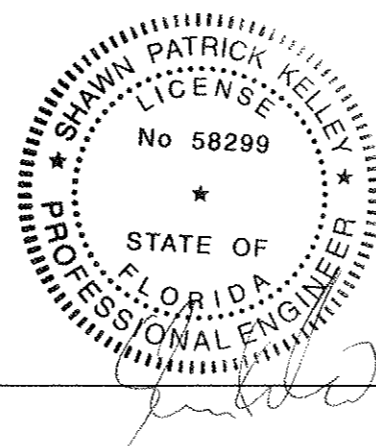
1. THESE PRODUCT EVALUATION DOCUMENTS REPRESENT A ROLL-UP DOOR ASSEMBLY DESIGNED AND TESTED IN ACCORDANCE WITH THE STANDARD BUILDING CODE, THE INTERNATIONAL BUILDING CODE, AND THE FLORIDA BUILDING CODE.
2. THIS ROLL-UP DOOR HAS BEEN TESTED FOR UNIFORM STATIC PRESSURE, IMPACT AND FATIGUE RESISTANCE IN ACCORDANCE WITH THE FBC TEST PROTOCOLS FOR HIGH VELOCITY HURRICANE ZONES TAS 201, TAS 202, AND TAS 203.
3. A 33% INCREASE IN ALLOWABLE STRESS HAS NOT BEEN USED IN THE DESIGN OF THIS PRODUCT.
4. DETERMINE THE POSITIVE AND NEGATIVE DESIGN LOADS TO USE WHEN REFERENCING THESE DOCUMENTS IN ACCORDANCE WITH THE GOVERNING CODE AND GOVERNING WIND VELOCITY.
5. THESE PRODUCT EVALUATION DOCUMENTS ARE PREPARED BY THE PRODUCT ENGINEER AND ARE GENERIC. THEY DO NOT INCLUDE INFORMATION PREPARED FOR A SPECIFIC SITE.
6. THESE PRODUCT EVALUATION DOCUMENTS ARE NOT VALID FOR PERMIT WITHOUT ORIGINAL SIGNATURE, DATE AND EMBOSSED SEAL ON EACH PERMIT COPY, WHETHER OR NOT A MASTER APPROVAL DOCUMENT IS ON FILE WITH A MUNICIPALITY OR OTHER GOVERNING AGENCY.
7. THESE PRODUCT EVALUATION DOCUMENTS ARE SUITABLE TO BE APPLIED BY THE CONTRACTOR PROVIDED THE CONTRACTOR DOES NOT DEVIATE FROM THE CONDITIONS DETAILED HEREIN AND THE CONTRACTOR VERIFIES THE EXISTING STRUCTURE IS CAPABLE OF SUPPORTING THE SUPERIMPOSED LOADS  $V_x$  &  $V_y$  ON THE JAMBS OF THE DOOR.
8. ALTERATIONS OR ADDITIONS TO THIS DOCUMENT ARE NOT PERMITTED.
9. WHEN THE SITE CONDITIONS DEVIATE FROM THESE PRODUCT EVALUATION DOCUMENTS, SITE SPECIFIC DOCUMENTS SHALL BE PREPARED BY A DULY LICENSED AND REGISTERED ENGINEER OR ARCHITECT.
10. IF THE DEVIATING SITE SPECIFIC DOCUMENTS ARE PREPARED BY A DELEGATED REGISTERED ENGINEER OR ARCHITECT, SAID DOCUMENTS SHALL BEAR THE DATE, SIGNATURE, AND EMBOSSED SEAL OF THE DELEGATED ENGINEER OR ARCHITECT AND SHALL BE SUBMITTED TO THE PROJECT ENGINEER FOR REVIEW.
11. ALL HARDWARE SHALL BE GALVANIZED STEEL, PLATED STEEL OR STAINLESS STEEL
12. ALL WINDLOCK RIVETS SHALL BE 1/4" STEEL RIVETS IFI GRADE 30 WITH A MINIMUM TENSILE STRENGTH OF 1,850 Lbs., AND SHEAR STRENGTH OF 2,400 Lbs., U.O.N.. RIVETS TO BE INSTALLED IN ALL WINDLOCK HOLES.
13. ENDLOCKS/WINDLOCKS SHALL BE CAST MALLEABLE IRON TYPE 32510 PER ASTM A47 OR CAST DUCTILE IRON PER ASTM A536 GRADE 65-45-12.
14. ALL WELDING SHALL BE PERFORMED BY QUALIFIED WELDERS IN ACCORDANCE WITH A.W.S. SPECIFICATIONS, LATEST EDITION. ALL WELDING ELECTRODES SHALL CONFORM TO A.W.S. A5.1 GRADE E-70. MINIMUM WELDING PROCESSES SHALL BE ARC WELDING A.W.S. E7014 OR MIG WELDING A.W.S. ER70S-6.
15. ANCHOR NOTES:  
 A. EMBEDMENT LENGTH DOES NOT INCLUDE STUCCO FINISH.  
 B. ANCHORS SHALL BE INSTALLED IN ACCORDANCE WITH MANUFACTURERS SPECIFICATIONS.  
 C. ANCHOR CAPACITY FOR THIS ROLL-UP DOOR IS BASED ON MIN. 3,000 P.S.I. CONCRETE EXCEPT WHERE NOTED..  
 D. FOR MINIMUM EMBEDMENT AND MINIMUM EDGE DISTANCE, REFER TO TABLES.
16. DOOR MAY BE INSTALLED ON THE INSIDE OR OUTSIDE OF AN EXTERIOR WALL
17. ALL SHAPES USED FOR GUIDE ASSEMBLIES MUST CONFORM TO ATSM A36 FOR STEEL OR ASTM A276 FOR TYPES 304 OR 316 WITH A MINIMUM 36 KSI YIELD STRENGTH.




③ DOUBLE ANGLE BOTTOM BAR DETAIL  
TYPICAL SECTION  
FULL SCALE

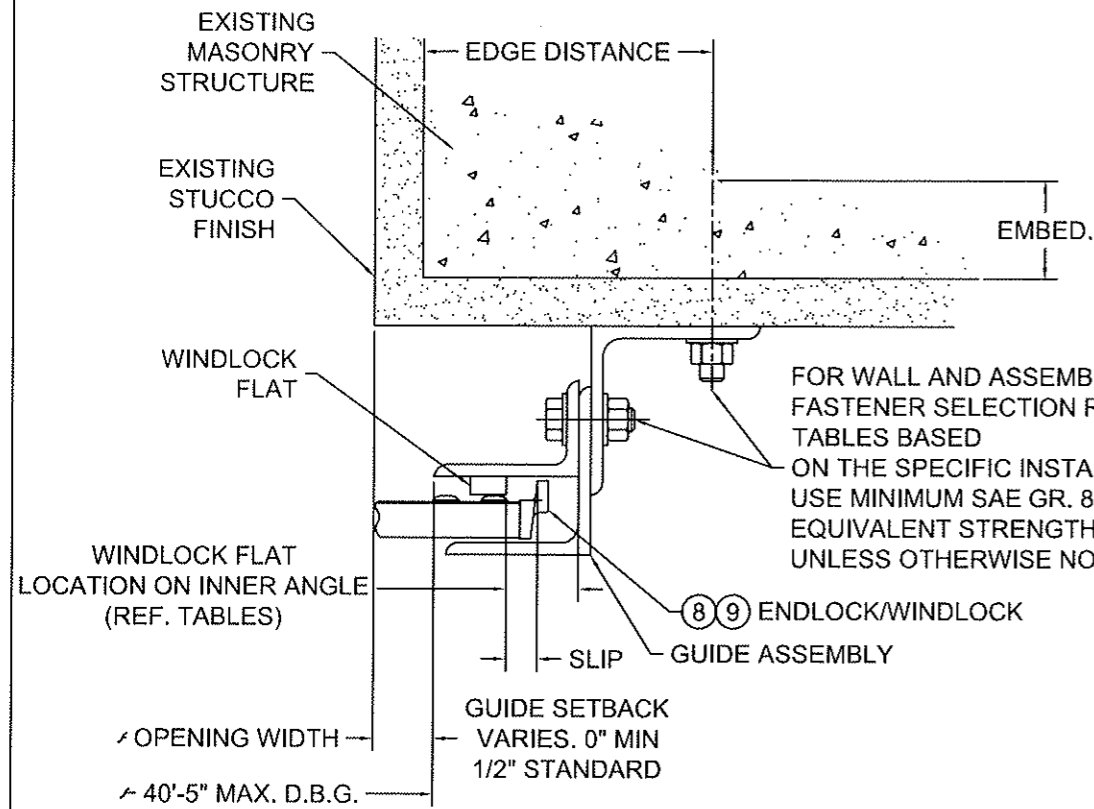


④ EXTRUDED BOTTOM BAR DETAIL  
TYPICAL SECTION  
FULL SCALE



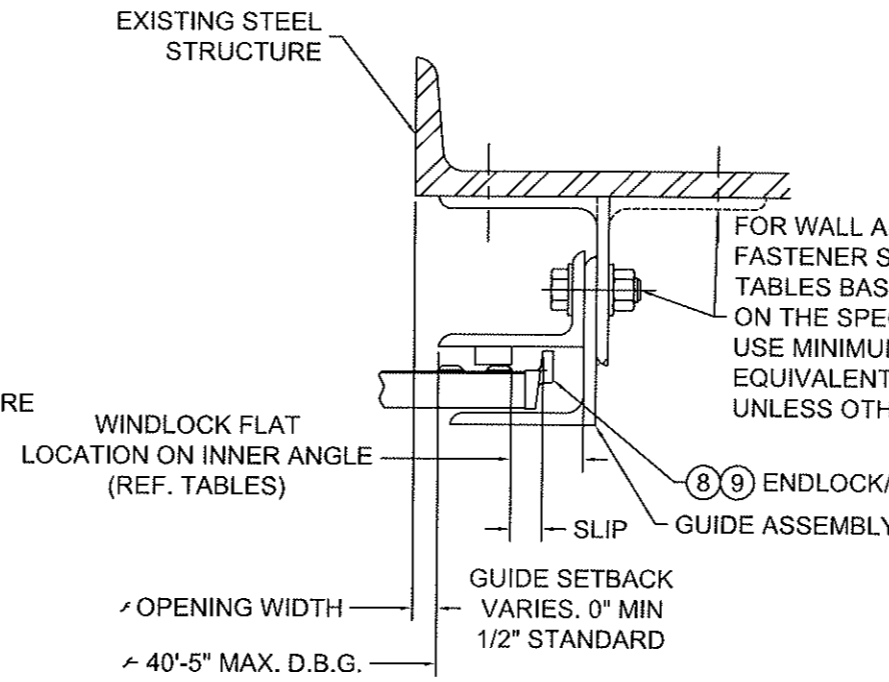
 <b>COOKSON</b> THE COOKSON COMPANY, INC.	24 ELMWOOD AVE 1901 S. LITCHFIELD RD MOUNTAINTOP, PA GOODYEAR, AZ 800 TULIP DRIVE GASTONIA, NC P: 800.390.8590 F: 866.448.6798 E: ADS@COOKSONDOOR.COM	Unless otherwise specified, dimensions are in inches & tolerances are:  0.000 = +/- 0.031 FRACTIONAL = +/- 1/32 ANGLES = +/- 1/2 DEG			
		TITLE: <b>WIND LOAD CONFIGURATION NON-INSULATED ROLLING STEEL DOOR CP0020 SLAT IMPACT RATED</b>	DRAWN BY: <b>TJE</b>	SIZE: <b>B</b>	SCALE: <b>AS NOTED</b>
DWG NO: <b>ES-16-61-TCCI</b>					

L'TR	REVISION	DATE	BY	E.C.O.
*	ORIGINAL ISSUE	10/15/14	TJE	1615

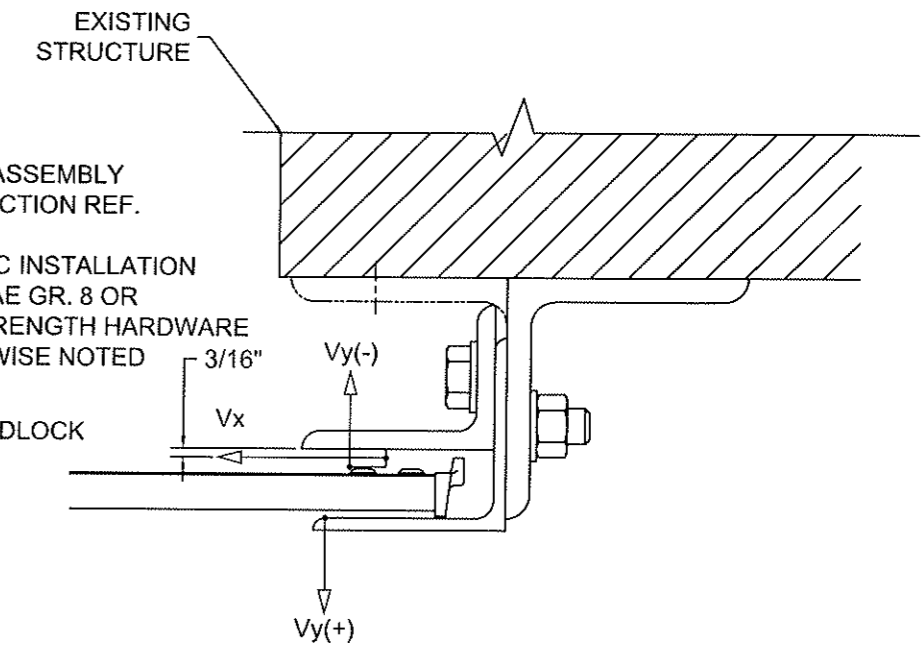


NOTE:  
THROUGH BOLTING TO FILLED BLOCK REQUIRES THE USE OF 1/4"  
THICK STEEL OR STAINLESS STEEL CRUSH PLATE

⑤ GUIDE ASSEMBLY  
CONCRETE OR FILLED BLOCK  
STRUCTURE  
(Z-GUIDE)



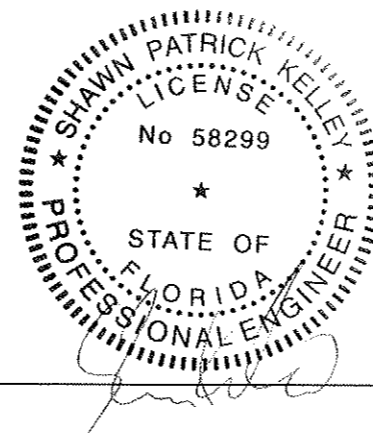
⑥ GUIDE ASSEMBLY  
STEEL STRUCTURE  
(Z-GUIDE OR E-GUIDE)



NOTE:

1.  $V_x$  &  $V_y$  ARE HORIZ. AND VERT. COMPONENTS OF THE REACTION, RESPECTIVELY, RESULTING FROM WIND LOADS ON THE ROLL-UP DOOR. THE EXISTING STRUCTURE SHALL BE CAPABLE OF RESISTING  $V_x$  &  $V_y$  FORCES SHOWN AND THE CORRESPONDING REACTIONS DUE TO THE ECCENTRICITIES OF THE FORCES.

⑦ SUPERIMPOSED LOAD DIAGRAM  
SCALE: 3" = 1'-0"



**COOKSON**  
THE COOKSON COMPANY, INC.

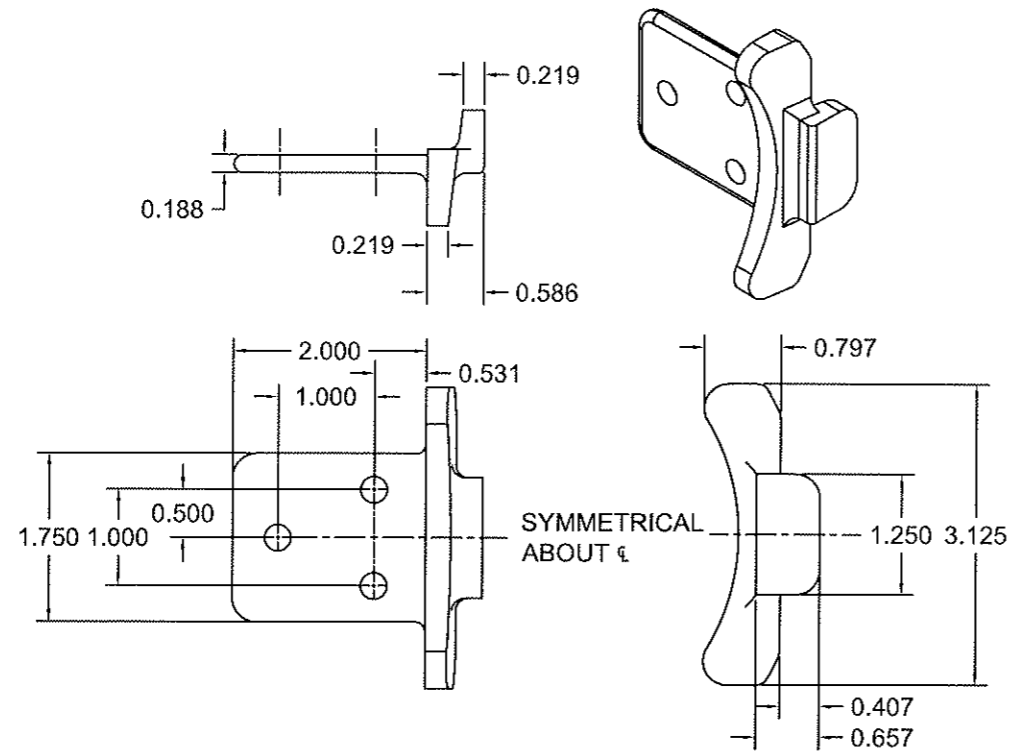
24 ELMWOOD AVE 1901 S. LITCHFIELD RD  
MOUNTAINTOP, PA GOODYEAR, AZ  
800 TULIP DRIVE  
GASTONIA, NC  
P: 800.390.8590  
F: 866.448.6798  
E: ADS@COOKSONDOOR.COM

Unless otherwise specified,  
dimensions are in inches &  
tolerances are:  
  
0.000 = +/- 0.031  
FRACTIONAL = +/- 1/32  
ANGLES = +/- 1/2 DEG

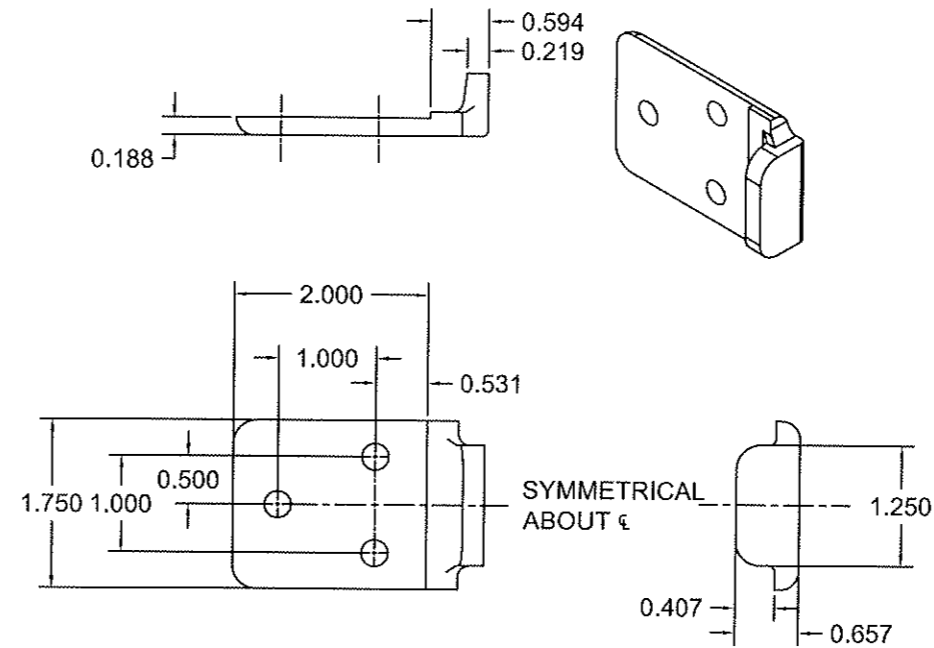
TITLE: WIND LOAD CONFIGURATION  
NON-INSULATED ROLLING STEEL DOOR  
CP0020 SLAT IMPACT RATED

DRAWN BY:	SIZE:	SCALE:	SHEET:
TJE	B	AS NOTED	3/15
DWG NO: ES-16-61-TCCI			

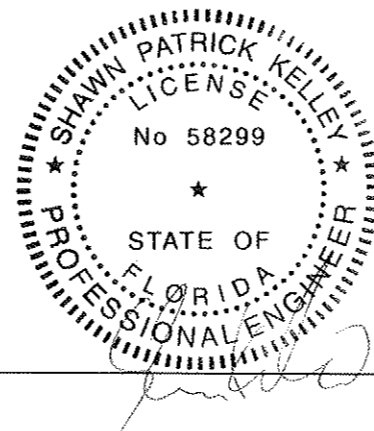
L'TR	REVISION	DATE	BY	E.C.O.
*	ORIGINAL ISSUE	10/15/14	TJE	1615




⑧ ENDLOCK / WINDLOCK DETAIL, CP1152  
 CAST MALLEABLE IRON ASTM A47, GRADE 32510, OR  
 DUCTILE IRON PER ASTM A536 GRADE 65-45-12, GALVANIZED IN ACCORDANCE WITH  
 ASTM A123, GRADE 85 ZINC-COATING  
 1/2 SCALE

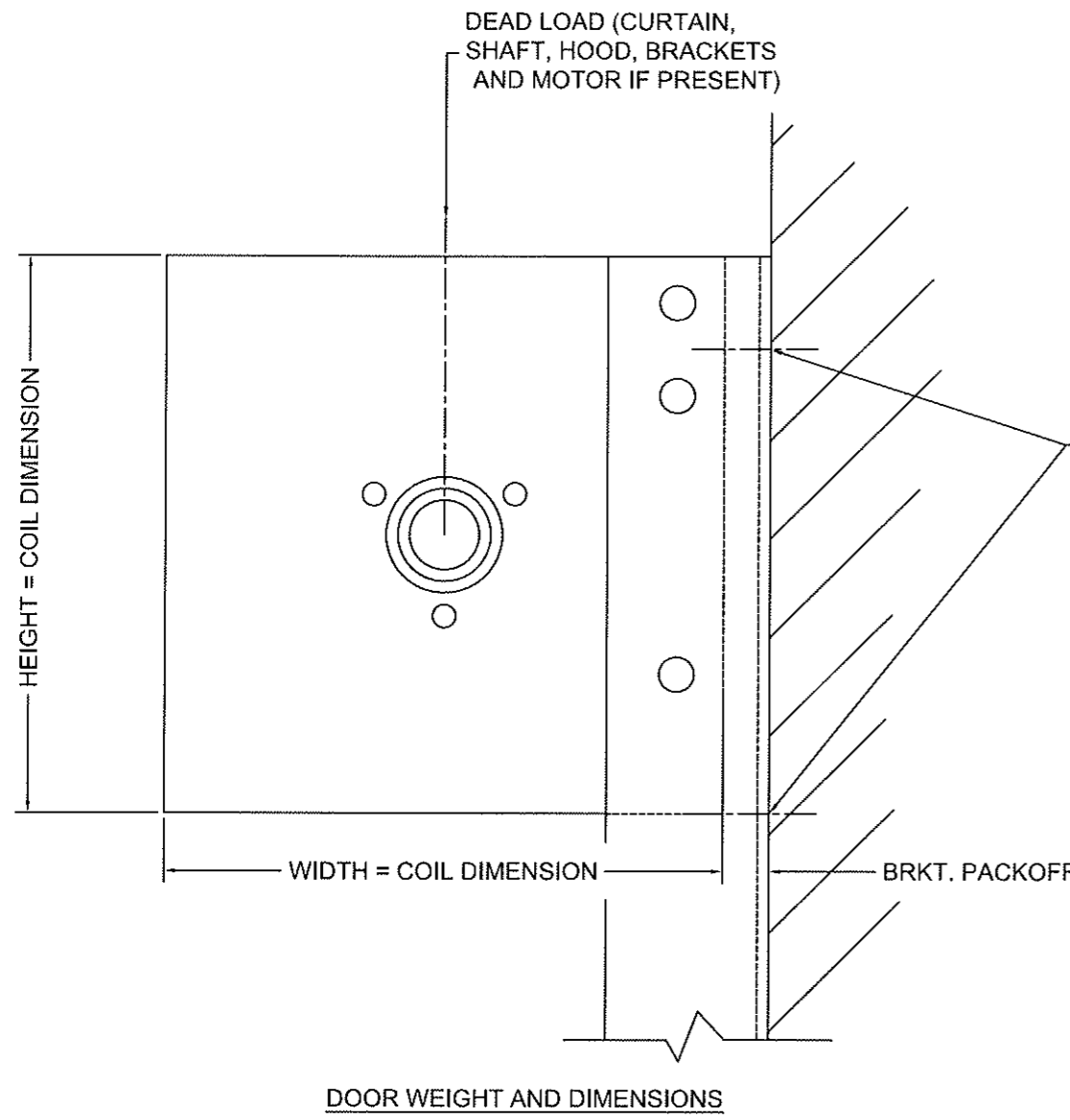


⑨ WINDLOCK DETAIL, CP1153  
 CAST MALLEABLE IRON ASTM A47, GRADE 32510, OR  
 DUCTILE IRON PER ASTM A536 GRADE 65-45-12, GALVANIZED IN  
 ACCORDANCE WITH ASTM A123, GRADE 85 ZINC-COATING  
 1/2 SCALE

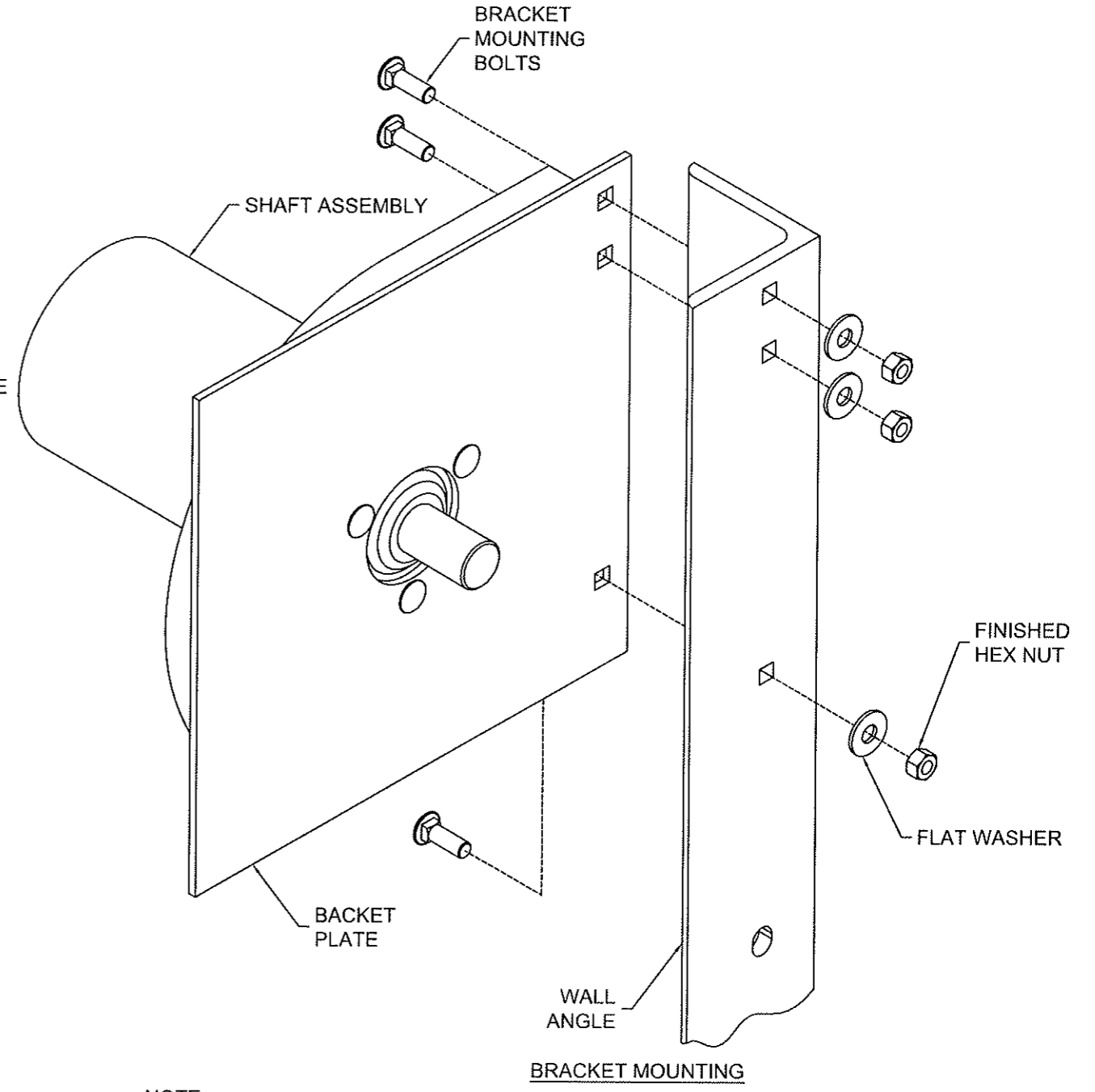


 <b>COOKSON</b> <small>THE COOKSON COMPANY, INC.</small>	24 ELMWOOD AVE 1901 S. LITCHFIELD RD MOUNTAINTOP, PA GOODYEAR, AZ 800 TULIP DRIVE GASTONIA, NC P: 800.390.8590 F: 866.448.6798 E: ADS@COOKSONDOOR.COM		Unless otherwise specified, dimensions are in inches & tolerances are:  0.000 = +/- 0.031 FRACTIONAL = +/- 1/32 ANGLES = +/- 1/2 DEG
	TITLE: WIND LOAD CONFIGURATION NON-INSULATED ROLLING STEEL DOOR CP0020 SLAT IMPACT RATED	DRAWN BY: <b>TJE</b>	SIZE: <b>B</b>
DWG NO: <b>ES-16-61-TCCI</b>			

L'TR	REVISION	DATE	BY	E.C.O.
*	ORIGINAL ISSUE	10/15/14	TJE	1615



FOR "WALL ANGLE" TO WALL CONNECTION, REF. TABLES BASED ON THE SPECIFIC INSTALLATION. USE AT LEAST ONE FASTENER OR WELD AT THE INDICATED LOCATIONS.

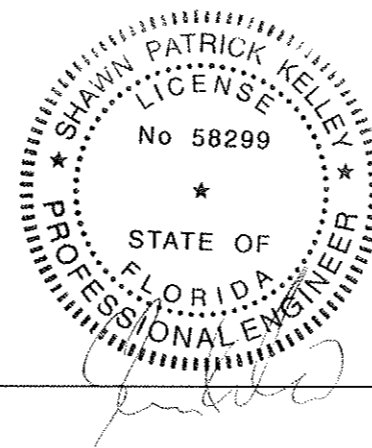



**NOTE:**

1. WHEN MOTOR IS PROVIDED, HEIGHT OR WIDTH DIMENSION MAY INCREASE UP TO 2-1/2" BASED ON MOTOR LOCATION. WHEN AN 8" DIAMETER OR LARGER SHAFT ASSEMBLY IS PROVIDED, HEIGHT DIMENSION INCREASES BY 2".

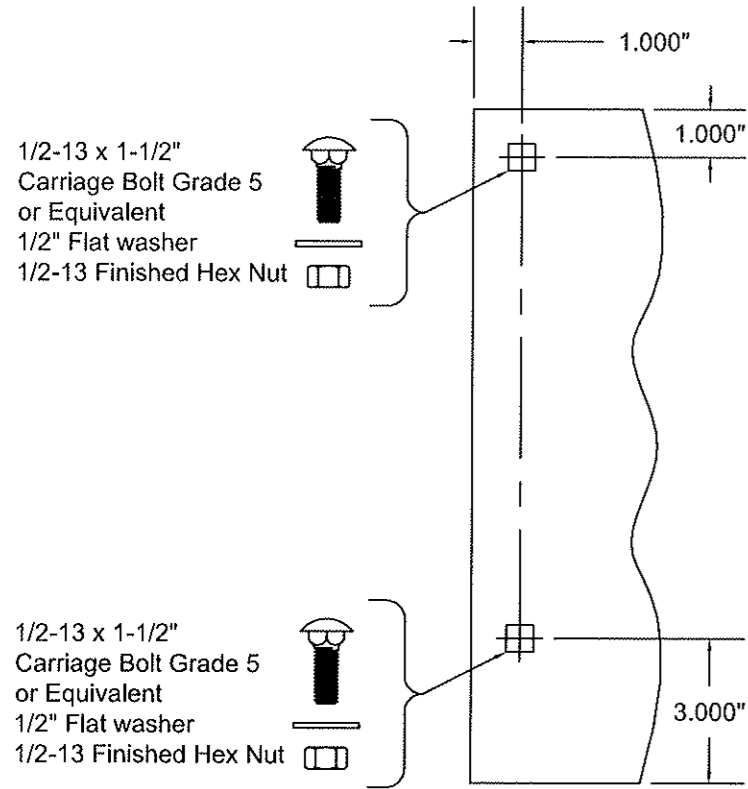
**NOTE:**

1. STANDARD BRACKET MOUNTING DETAIL IS DEPICTED, OTHER MOUNTINGS ARE AVAILABLE



 <b>COOKSON</b> <small>THE COOKSON COMPANY, INC.</small>	24 ELMWOOD AVE 1901 S. LITCHFIELD RD MOUNTAINTOP, PA GOODYEAR, AZ 800 TULIP DRIVE GASTONIA, NC P: 800.390.8590 F: 866.448.6798 E: ADS@COOKSONDOOR.COM	Unless otherwise specified, dimensions are in inches & tolerances are:  0.000 = +/- 0.031 FRACTIONAL = +/- 1/32 ANGLES = +/- 1/2 DEG
	<b>TITLE:</b> WIND LOAD CONFIGURATION NON-INSULATED ROLLING STEEL DOOR CP0020 SLAT IMPACT RATED	<b>DRAWN BY:</b> TJE <b>SIZE:</b> B <b>SCALE:</b> AS NOTED <b>SHEET:</b> 5/15 <b>DWG NO:</b> ES-16-61-TCCI

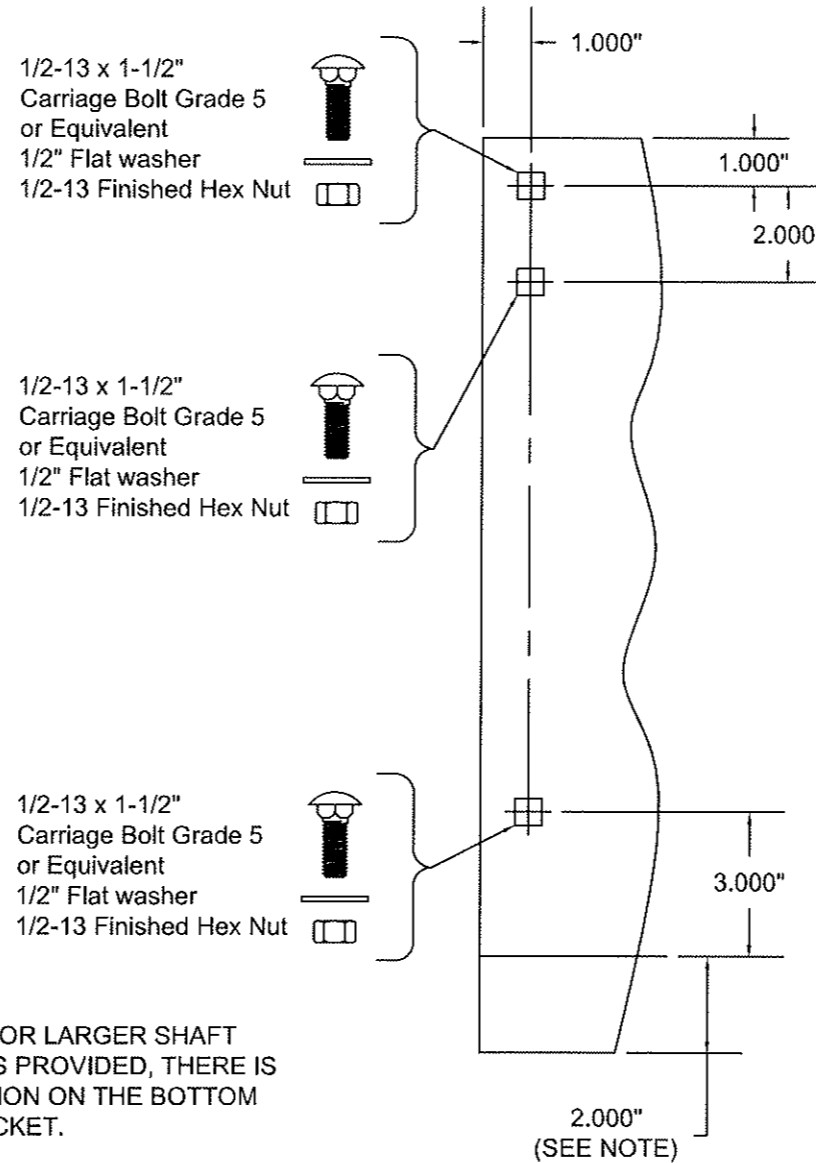
L'TR	REVISION	DATE	BY	E.C.O.
*	ORIGINAL ISSUE	10/15/14	TJE	1615



1/2-13 x 1-1/2"  
Carriage Bolt Grade 5  
or Equivalent  
1/2" Flat washer  
1/2-13 Finished Hex Nut

1/2-13 x 1-1/2"  
Carriage Bolt Grade 5  
or Equivalent  
1/2" Flat washer  
1/2-13 Finished Hex Nut

THRU 6"Ø SHAFT ASSEMBLY  
14" THRU 16" COIL DIMENSION  
MIN. THICKNESS 0.172" ASTM A36 STEEL  
OR ASTM A480 STAINLESS STEEL,  
TYPES 304 OR 316, MIN. 36 KSI YIELD STRENGTH  
SCALE: 1-1/2" = 1'-0"



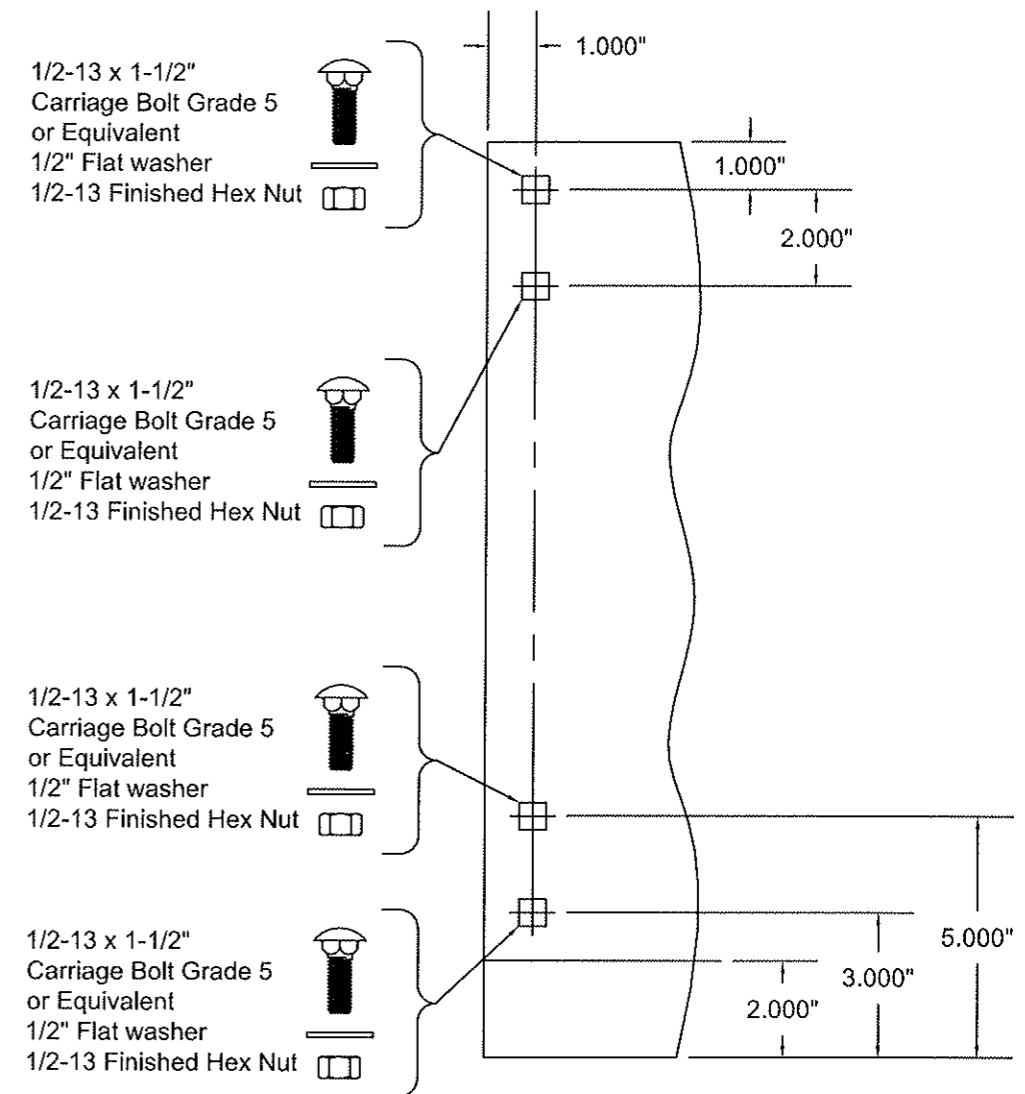
1/2-13 x 1-1/2"  
Carriage Bolt Grade 5  
or Equivalent  
1/2" Flat washer  
1/2-13 Finished Hex Nut

1/2-13 x 1-1/2"  
Carriage Bolt Grade 5  
or Equivalent  
1/2" Flat washer  
1/2-13 Finished Hex Nut

1/2-13 x 1-1/2"  
Carriage Bolt Grade 5  
or Equivalent  
1/2" Flat washer  
1/2-13 Finished Hex Nut

**NOTE:**  
WHEN A 8"Ø OR LARGER SHAFT  
ASSEMBLY IS PROVIDED, THERE IS  
A 2" EXTENSION ON THE BOTTOM  
OF THE BRACKET.

THRU 10"Ø SHAFT ASSEMBLY  
17" AND LARGER COIL DIMENSION  
MIN. THICKNESS 0.240" ASTM A36 STEEL  
OR ASTM A480 STAINLESS STEEL,  
TYPES 304 OR 316, MIN. 36 KSI YIELD STRENGTH  
SCALE: 1-1/2" = 1'-0"



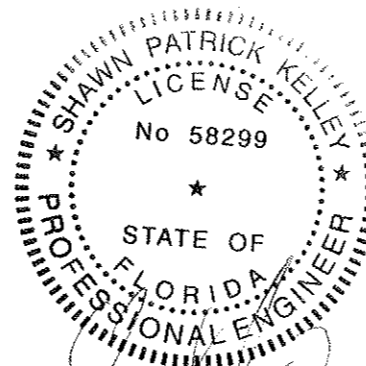
1/2-13 x 1-1/2"  
Carriage Bolt Grade 5  
or Equivalent  
1/2" Flat washer  
1/2-13 Finished Hex Nut

1/2-13 x 1-1/2"  
Carriage Bolt Grade 5  
or Equivalent  
1/2" Flat washer  
1/2-13 Finished Hex Nut

1/2-13 x 1-1/2"  
Carriage Bolt Grade 5  
or Equivalent  
1/2" Flat washer  
1/2-13 Finished Hex Nut

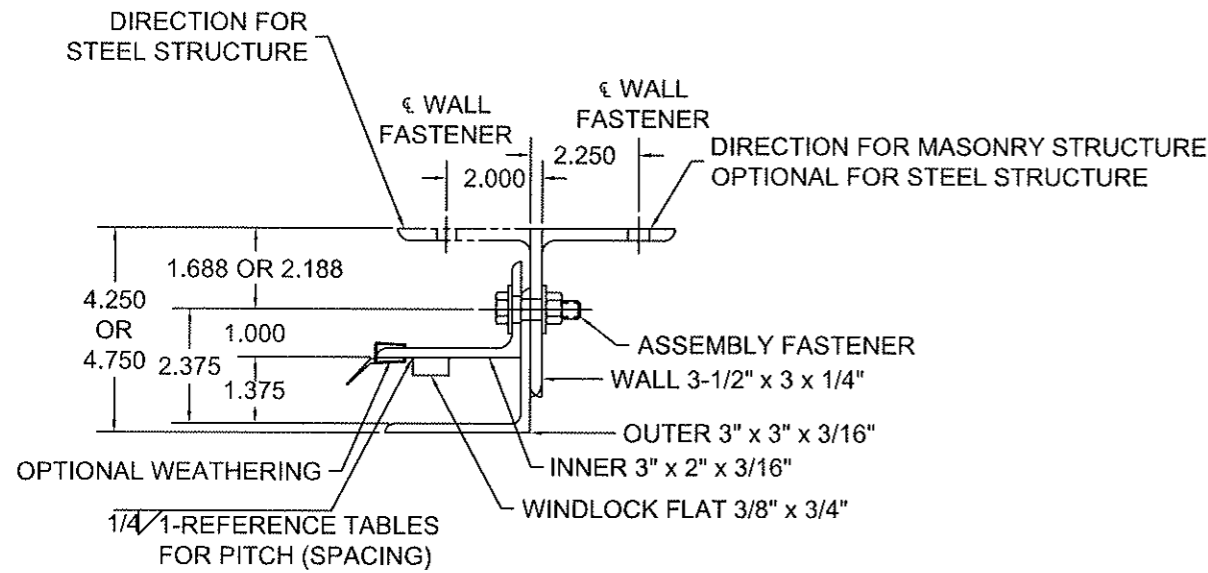
1/2-13 x 1-1/2"  
Carriage Bolt Grade 5  
or Equivalent  
1/2" Flat washer  
1/2-13 Finished Hex Nut

12"Ø SHAFT ASSEMBLY  
17" AND LARGER COIL DIMENSION  
MIN. THICKNESS 0.240" ASTM A36 STEEL  
OR ASTM A480 STAINLESS STEEL,  
TYPES 304 OR 316, MIN. 36 KSI YIELD STRENGTH  
SCALE: 1-1/2" = 1'-0"

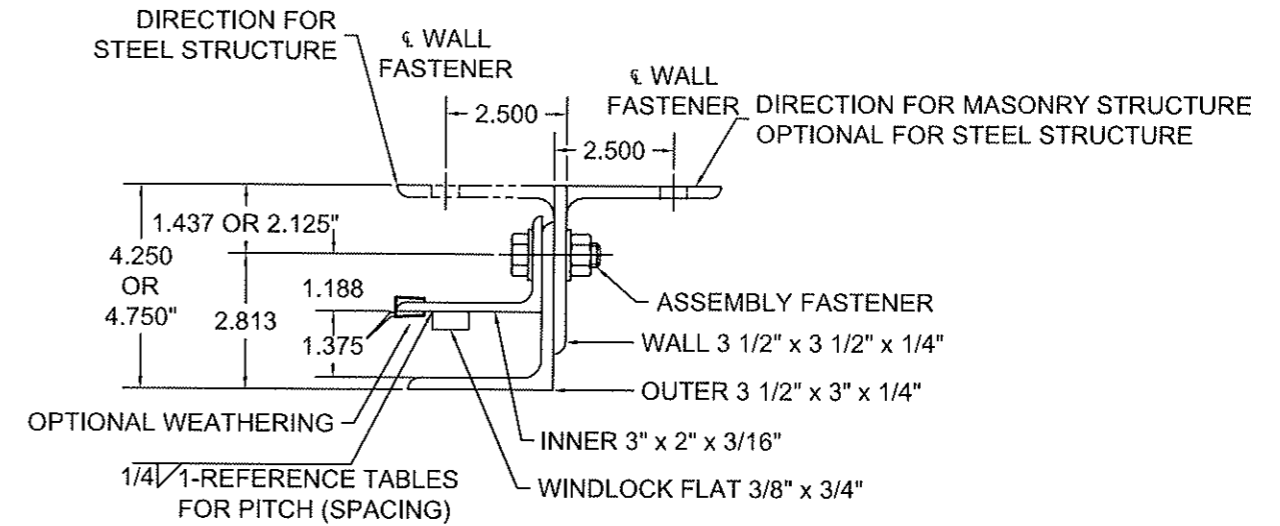


<b>COOKSON</b> THE COOKSON COMPANY, INC.	24 ELMWOOD AVE 1901 S. LITCHFIELD RD MOUNTAINTOP, PA GOODYEAR, AZ 800 TULIP DRIVE GASTONIA, NC		Unless otherwise specified, dimensions are in inches & tolerances are:		
	P: 800.390.8590 F: 866.448.6798 E: ADS@COOKSONDOOR.COM		0.000 = +/- 0.031 FRACTIONAL = +/- 1/32 ANGLES = +/- 1/2 DEG		
TITLE: WIND LOAD CONFIGURATION NON-INSULATED ROLLING STEEL DOOR CP0020 SLAT IMPACT RATED		DRAWN BY: TJE	SIZE: B	SCALE: AS NOTED	SHEET: 6/15
		DWG NO: ES-16-60-TCCI			

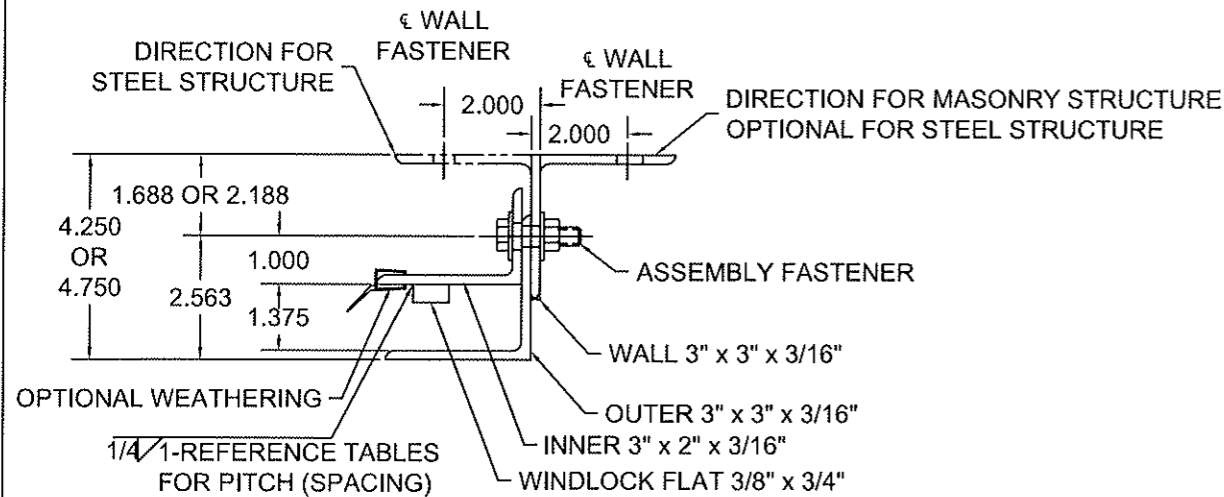
L'TR	REVISION	DATE	BY	E.C.O.
*	ORIGINAL ISSUE	10/15/14	TJE	1615



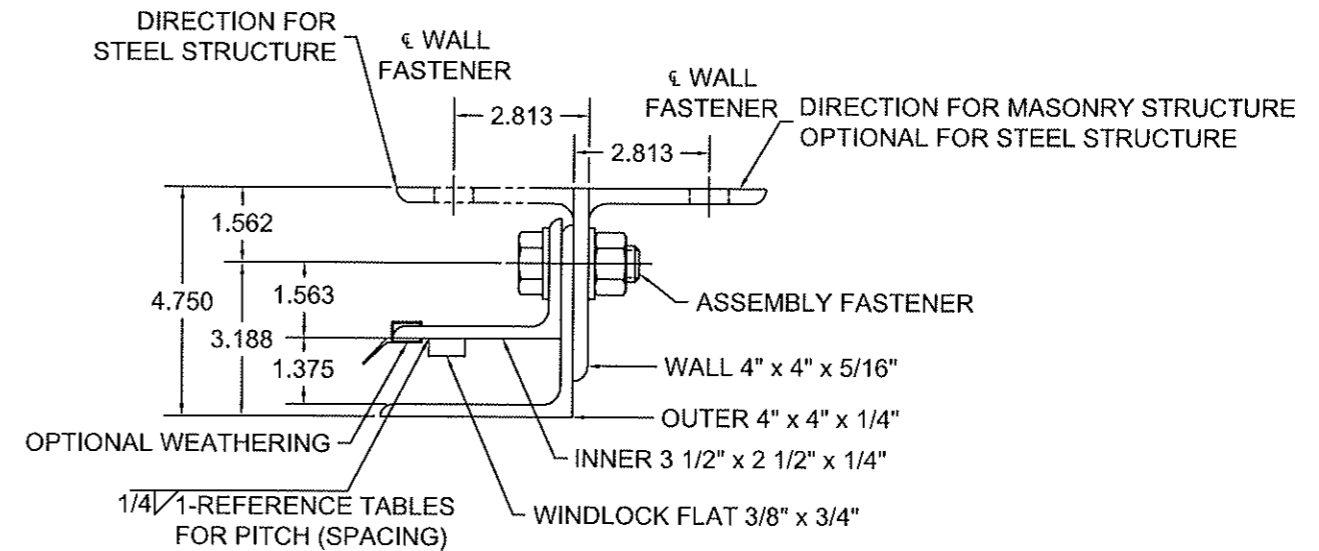
GUIDE ASSEMBLY TYPE 334  
SCALE: 3" = 1'-0"



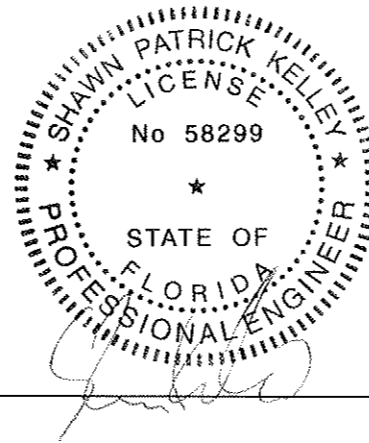
GUIDE ASSEMBLY TYPE 344  
SCALE: 3" = 1'-0"



GUIDE ASSEMBLY TYPE 333  
SCALE: 3" = 1'-0"

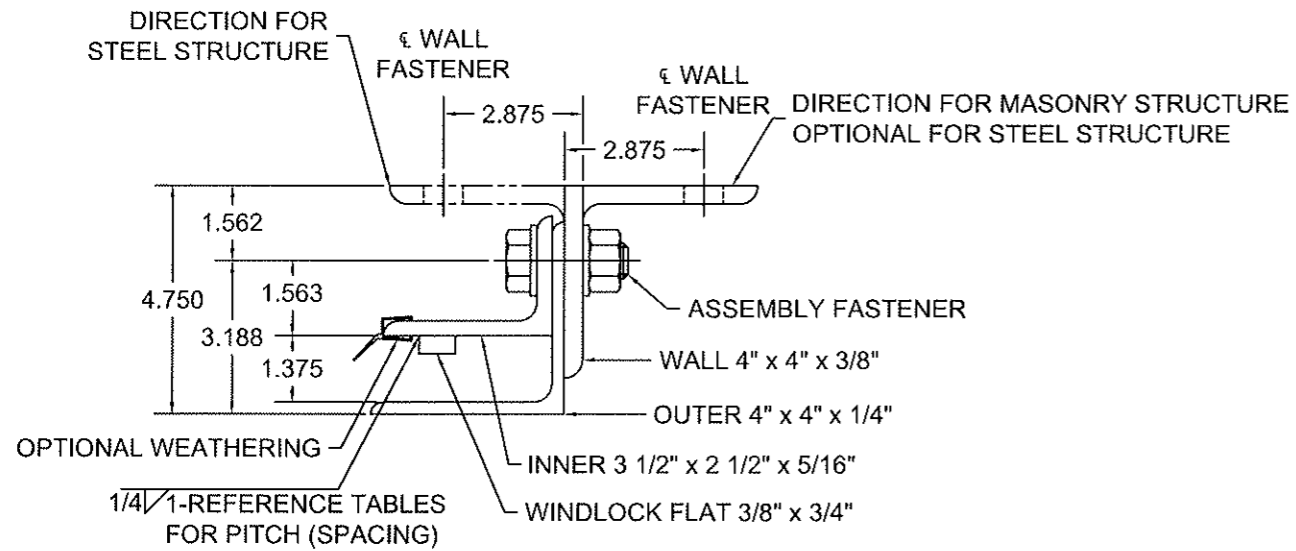


GUIDE ASSEMBLY TYPE 445  
SCALE: 3" = 1'-0"

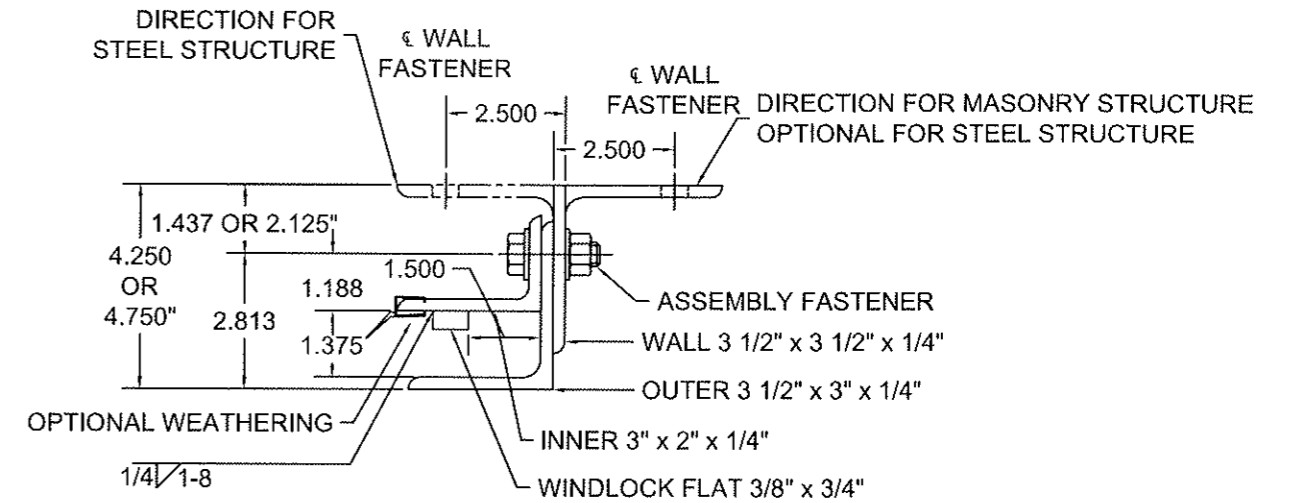


<p><b>COOKSON</b> THE COOKSON COMPANY, INC.</p>	<p>24 ELMWOOD AVE 1901 S. LITCHFIELD RD MOUNTAINTOP, PA GOODYEAR, AZ 800 TULIP DRIVE GASTONIA, NC P: 800.390.8590 F: 866.448.6798 E: ADS@COOKSONDOOR.COM</p>	<p>Unless otherwise specified, dimensions are in inches &amp; tolerances are:  0.000 = +/- 0.031 FRACTIONAL = +/- 1/32 ANGLES = +/- 1/2 DEG</p>			
		<p>TITLE: WIND LOAD CONFIGURATION NON-INSULATED ROLLING STEEL DOOR CP0020 SLAT IMPACT RATED</p>	<p>DRAWN BY: TJE</p>	<p>SIZE: B</p>	<p>SCALE: AS NOTED</p>
<p>DWG NO: ES-16-61-TCCI</p>					

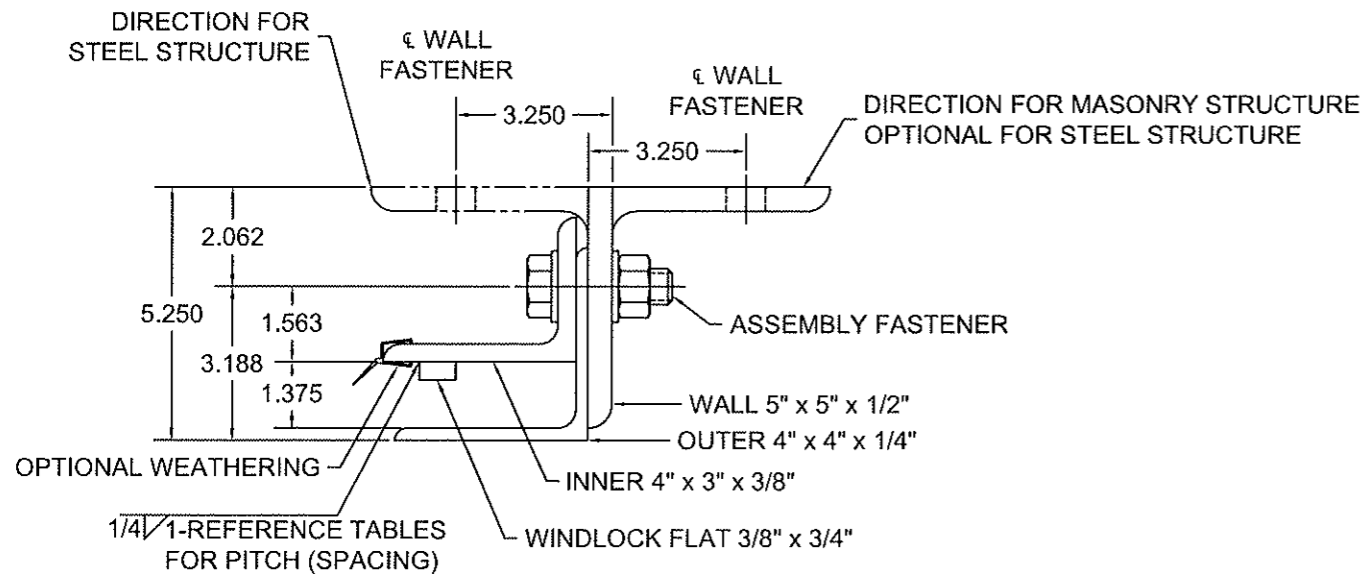
L'TR	REVISION	DATE	BY	E.C.O.
*	ORIGINAL ISSUE	10/15/14	TJE	1615



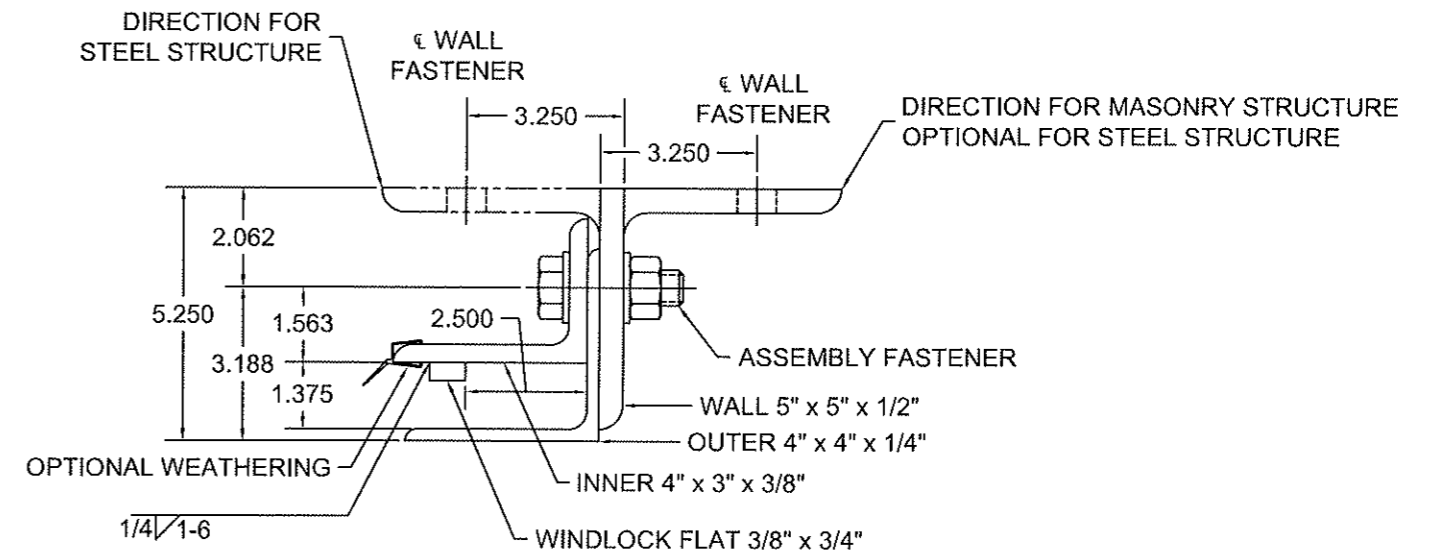
GUIDE ASSEMBLY TYPE 546  
SCALE: 3" = 1'-0"



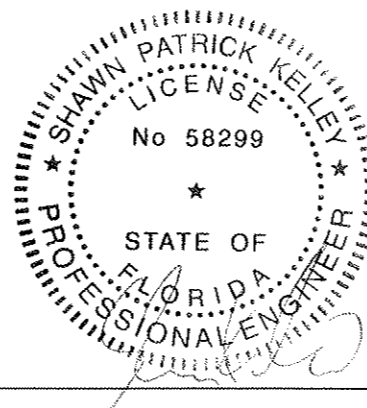
GUIDE ASSEMBLY TYPE DC 1  
SCALE: 3" = 1'-0"



GUIDE ASSEMBLY TYPE 648  
SCALE: 3" = 1'-0"



GUIDE ASSEMBLY TYPE DC 2  
SCALE: 3" = 1'-0"



**COOKSON**  
THE COOKSON COMPANY, INC.

24 ELMWOOD AVE 1901 S. LITCHFIELD RD  
MOUNTAINTOP, PA GOODYEAR, AZ  
800 TULIP DRIVE  
GASTONIA, NC  
P: 800.390.8590  
F: 866.448.6798  
E: ADS@COOKSONDOOR.COM

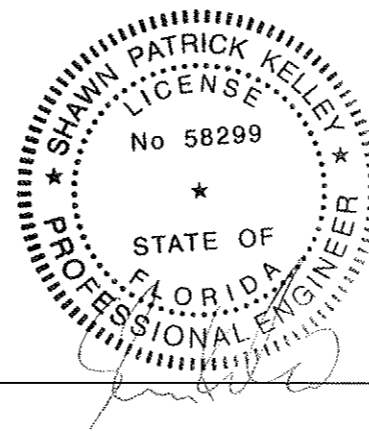
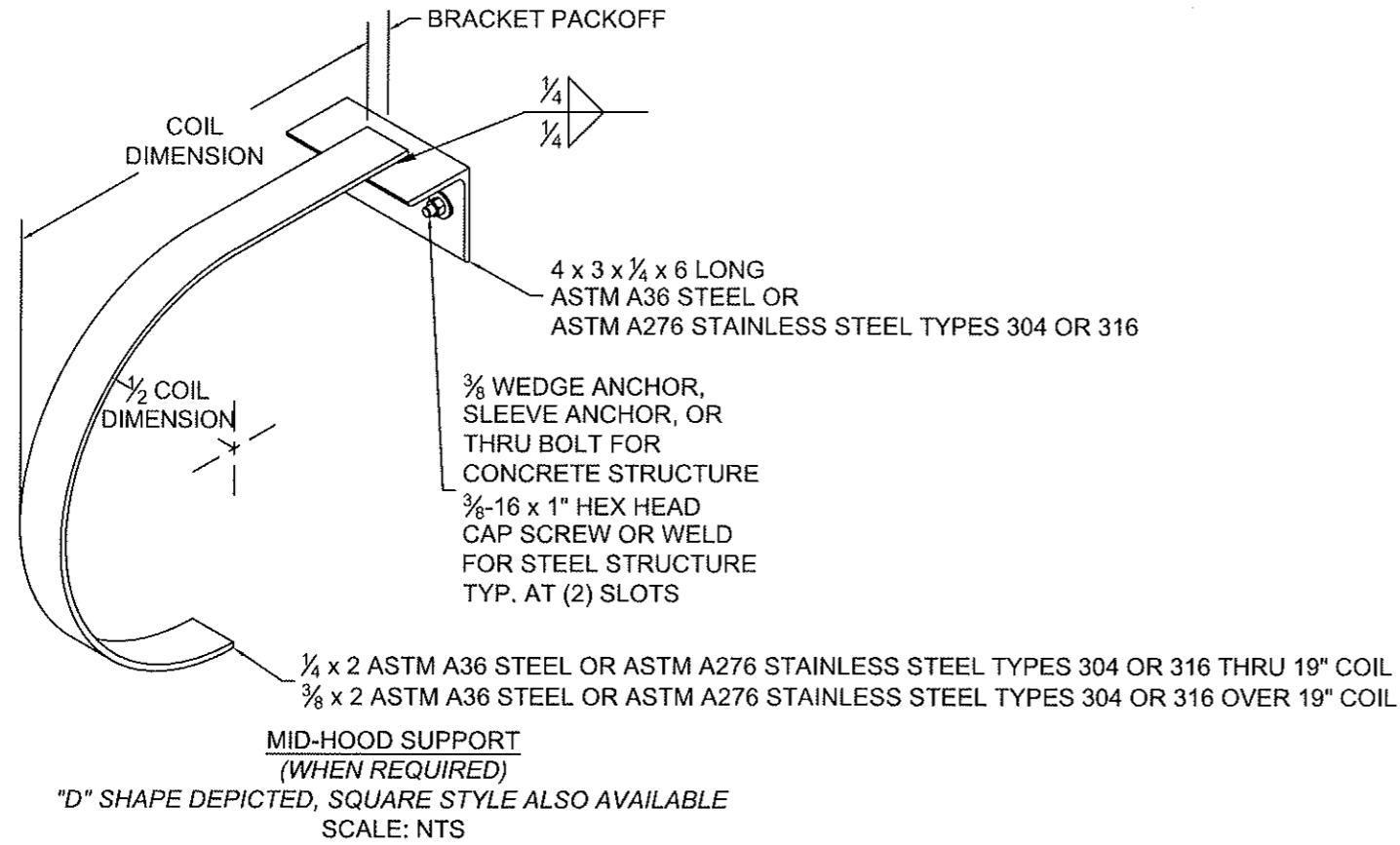
Unless otherwise specified,  
dimensions are in inches &  
tolerances are:  
  
0.000 = +/- 0.031  
FRACTIONAL = +/- 1/32  
ANGLES = +/- 1/2 DEG


TITLE: WIND LOAD CONFIGURATION  
NON-INSULATED ROLLING STEEL DOOR  
CP0020 SLAT IMPACT RATED

DRAWN BY: TJE  
SIZE: B  
SCALE: AS NOTED  
SHEET: 8/15  
DWG NO: ES-16-61-TCCI



L'TR	REVISION	DATE	BY	E.C.O.
*	ORIGINAL ISSUE	10/15/14	TJE	1615



 <b>COOKSON</b> <small>THE COOKSON COMPANY, INC.</small>	24 ELMWOOD AVE 1901 S. LITCHFIELD RD MOUNTAINTOP, PA GOODYEAR, AZ 800 TULIP DRIVE GASTONIA, NC P: 800.390.8590 F: 866.448.6798 E: ADS@COOKSONDOOR.COM	Unless otherwise specified, dimensions are in inches & tolerances are:  0.000 = +/- 0.031 FRACTIONAL = +/- 1/32 ANGLES = +/- 1/2 DEG		
		TITLE: WIND LOAD CONFIGURATION NON-INSULATED ROLLING STEEL DOOR CP0020 SLAT IMPACT RATED	DRAWN BY: <b>TJE</b>	SIZE: <b>B</b>
DWG NO:		<b>ES-16-61-TCCI</b>		



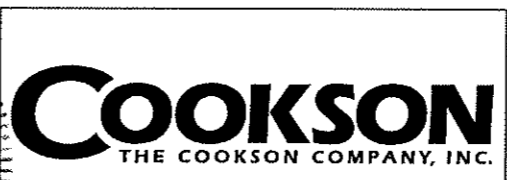
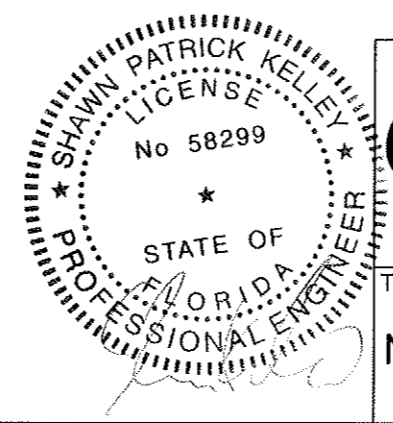


CP0020 - 0.0296 Minimum Thickness Galvanized or Stainless Steel - 65 PSF																																									
DBG Up To	Windlock Flat Location	Slip	Windlock	Guide Assembly	Windlock Weld Pitch	Assembly Fastener Diameter	Assembly Fastener Spacing	Concrete Minimum 3,000 PSI Compressive Strength (Anchors are the same diameter as assembly fasteners)												Fired CMU						Steel (Wall anchors are the same diameter as assembly fasteners)						Superimposed Loads									
								Hilti Kwik Bolt 3			Simpson Wedge All			Red Head Tri-Bolt			Powers Wedge-Bolt			Hilti Kwik Bolt 3			Simpson Strong-Bolt 2			Through Bolt			Welded		Tapped		Vx (+)	Vy (+)	Vx (-)	Vy (-)					
								Max O.C.	Embed	Min. Wall Thick.	Edge Dist.	Max O.C.	Embed	Min. Wall Thick.	Edge Dist.	Max O.C.	Embed	Min. Wall Thick.	Edge Dist.	Max O.C.	Embed	Min. Wall Thick.	Edge Dist.	Max O.C.	Dia.	Embed	Edge Dist.	Max O.C.	Dia.	Embed	Edge Dist.	Max O.C.					Dia.	Edge Distance	Max O.C.	Slot Size	Max O.C.
4'-5"	1 1/2	0.656	CP1152 & CP1153	333	12	3/8	18	36	2 3/8	4	5 3/16	15	2 5/8	3 15/16	5 3/16	16	3	4 1/2	5 3/16	16	2 1/2	3 3/4	5 3/16	8	3/8	2 1/2	5 3/16	14	3/4	5 1/4	5 3/16	15	3/8	5 3/16	36	3/16	3/16	0	146	0	144

CP0020 - 0.0296 Minimum Thickness Galvanized or Stainless Steel - 70 PSF																																									
DBG Up To	Windlock Flat Location	Slip	Windlock	Guide Assembly	Windlock Weld Pitch	Assembly Fastener Diameter	Assembly Fastener Spacing	Concrete Minimum 3,000 PSI Compressive Strength (Anchors are the same diameter as assembly fasteners)												Fired CMU						Steel (Wall anchors are the same diameter as assembly fasteners)						Superimposed Loads									
								Hilti Kwik Bolt 3			Simpson Wedge All			Red Head Tri-Bolt			Powers Wedge-Bolt			Hilti Kwik Bolt 3			Simpson Strong-Bolt 2			Through Bolt			Welded		Tapped		Vx (+)	Vy (+)	Vx (-)	Vy (-)					
								Max O.C.	Embed	Min. Wall Thick.	Edge Dist.	Max O.C.	Embed	Min. Wall Thick.	Edge Dist.	Max O.C.	Embed	Min. Wall Thick.	Edge Dist.	Max O.C.	Embed	Min. Wall Thick.	Edge Dist.	Max O.C.	Dia.	Embed	Edge Dist.	Max O.C.	Dia.	Embed	Edge Dist.	Max O.C.					Dia.	Edge Distance	Max O.C.	Slot Size	Max O.C.
4'-5"	1 1/2	0.656	CP1152 & CP1153	333	12	3/8	18	36	2 3/8	4	5 3/16	14	2 5/8	3 15/16	5 3/16	14	3	4 1/2	5 3/16	11	2	3	5 3/16	8	3/8	2 1/2	5 3/16	13	3/4	5 1/4	5 3/16	14	3/8	5 3/16	36	3/16	3/16	0	157	0	155

CP0020 - 0.0296 Minimum Thickness Galvanized or Stainless Steel - 80 PSF																																									
DBG Up To	Windlock Flat Location	Slip	Windlock	Guide Assembly	Windlock Weld Pitch	Assembly Fastener Diameter	Assembly Fastener Spacing	Concrete Minimum 3,000 PSI Compressive Strength (Anchors are the same diameter as assembly fasteners)												Fired CMU						Steel (Wall anchors are the same diameter as assembly fasteners)						Superimposed Loads									
								Hilti Kwik Bolt 3			Simpson Wedge All			Red Head Tri-Bolt			Powers Wedge-Bolt			Hilti Kwik Bolt 3			Simpson Strong-Bolt 2			Through Bolt			Welded		Tapped		Vx (+)	Vy (+)	Vx (-)	Vy (-)					
								Max O.C.	Embed	Min. Wall Thick.	Edge Dist.	Max O.C.	Embed	Min. Wall Thick.	Edge Dist.	Max O.C.	Embed	Min. Wall Thick.	Edge Dist.	Max O.C.	Embed	Min. Wall Thick.	Edge Dist.	Max O.C.	Dia.	Embed	Edge Dist.	Max O.C.	Dia.	Embed	Edge Dist.	Max O.C.					Dia.	Edge Distance	Max O.C.	Slot Size	Max O.C.
4'-5"	1 1/2	0.656	CP1152 & CP1153	333	12	3/8	18	28	2 3/8	4	5 3/16	12	2 5/8	3 15/16	5 3/16	13	3	4 1/2	5 3/16	13	2 1/2	3 3/4	5 3/16	8	3/8	2 1/2	5 3/16	12	3/4	5 1/4	5 3/16	12	3/8	5 3/16	36	3/16	3/16	0	180	0	177

CP0020 - 0.0296 Minimum Thickness Galvanized or Stainless Steel - 90 PSF																																									
DBG Up To	Windlock Flat Location	Slip	Windlock	Guide Assembly	Windlock Weld Pitch	Assembly Fastener Diameter	Assembly Fastener Spacing	Concrete Minimum 3,000 PSI Compressive Strength (Anchors are the same diameter as assembly fasteners)												Fired CMU						Steel (Wall anchors are the same diameter as assembly fasteners)						Superimposed Loads									
								Hilti Kwik Bolt 3			Simpson Wedge All			Red Head Tri-Bolt			Powers Wedge-Bolt			Hilti Kwik Bolt 3			Simpson Strong-Bolt 2			Through Bolt			Welded		Tapped		Vx (+)	Vy (+)	Vx (-)	Vy (-)					
								Max O.C.	Embed	Min. Wall Thick.	Edge Dist.	Max O.C.	Embed	Min. Wall Thick.	Edge Dist.	Max O.C.	Embed	Min. Wall Thick.	Edge Dist.	Max O.C.	Embed	Min. Wall Thick.	Edge Dist.	Max O.C.	Dia.	Embed	Edge Dist.	Max O.C.	Dia.	Embed	Edge Dist.	Max O.C.					Dia.	Edge Distance	Max O.C.	Slot Size	Max O.C.
4'-5"	1 1/2	0.656	CP1152 & CP1153	333	12	3/8	18	9	2 3/8	4	5 3/16	11	2 5/8	3 15/16	5 3/16	11	3	4 1/2	5 3/16	12	2 1/2	3 3/4	5 3/16	8	3/4	3 1/4	5 3/16	10	3/4	5 1/4	5 3/16	11	3/8	5 3/16	36	3/16	3/16	0	202	0	199



24 ELMWOOD AVE 1901 S. LITCHFIELD RD  
MOUNTAINTOP, PA GOODYEAR, AZ  
800 TULIP DRIVE  
GASTONIA, NC  
P: 800.390.8590  
F: 866.448.6798  
E: ADS@COOKSONDOOR.COM

Unless otherwise specified, dimensions are in inches & tolerances are:  
0.000 = +/- 0.031  
FRACTIONAL = +/- 1/32  
ANGLES = +/- 1/2 DEG

TITLE: WIND LOAD CONFIGURATION  
NON-INSULATED ROLLING STEEL DOOR  
CP0020 SLAT IMPACT RATED

DRAWN BY: TJE  
SIZE: B  
SCALE: AS NOTED  
SHEET: 12/15  
DWG NO: ES-16-61-TCCI

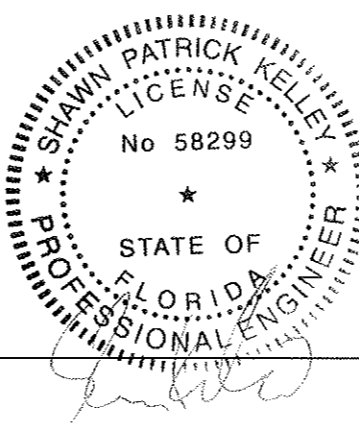


L/TR	REVISION	DATE	BY	E.C.O.
*	ORIGINAL ISSUE	10/15/14	TJE	1615

CP0020 - 0.0405 Minimum Thickness Galvanized or Stainless Steel - 60 PSF																																								
DBG Up To	Windlock Flat Location	Slip	Windlock	Guide Assembly	Windlock Weld Patch	Assembly Fastener Diameter	Assembly Fastener Spacing	Concrete Minimum 3,000 PSI Compressive Strength (Anchors are the same diameter as assembly fasteners)												Steel (Wall anchors are the same diameter as assembly fasteners)				Superimposed Loads																
								Hilti Kwik Bolt 3			Simpson Wedge All			Red Head Tri-Bolt			Powers Wedge Bolt			Hilti Kwik Bolt 3			Simpson Strong Bolt 2			Through Bolt		Welded		Tapped		Vx (+)	Vy (+)	Vz (-)						
7'-5"	1 1/2	0.656	CP1152 & CP1153	333	12	3/8	18	36	2 3/8	4	5 3/16	14	2 5/8	3 15/16	5 3/16	14	3	5 3/16	8	3/4	2 1/2	5 3/16	14	3/4	5 3/16	10	3/4	5 3/16	11	3/8	5 3/16	36	7/16 x 5/8	36	3/8	3/16	0	150	0	159

CP0020 - 0.0405 Minimum Thickness Galvanized or Stainless Steel - 50 PSF																																								
DBG Up To	Windlock Flat Location	Slip	Windlock	Guide Assembly	Windlock Weld Patch	Assembly Fastener Diameter	Assembly Fastener Spacing	Concrete Minimum 3,000 PSI Compressive Strength (Anchors are the same diameter as assembly fasteners)												Steel (Wall anchors are the same diameter as assembly fasteners)				Superimposed Loads																
								Hilti Kwik Bolt 3			Simpson Wedge All			Red Head Tri-Bolt			Powers Wedge Bolt			Hilti Kwik Bolt 3			Simpson Strong Bolt 2			Through Bolt		Welded		Tapped		Vx (+)	Vy (+)	Vz (-)						
6'-5"	1 1/2	0.656	CP1152 & CP1153	333	12	3/8	18	36	2 3/8	4	5 3/16	14	2 5/8	3 15/16	5 3/16	14	3	5 3/16	8	3/4	2 1/2	5 3/16	14	3/4	5 3/16	10	3/4	5 3/16	11	3/8	5 3/16	36	7/16 x 5/8	36	3/8	3/16	0	162	0	161

CP0020 - 0.0405 Minimum Thickness Galvanized or Stainless Steel - 60 PSF																																					
DBG Up To	Windlock Flat Location	Slip	Windlock	Guide Assembly	Windlock Weld Patch	Assembly Fastener Diameter	Assembly Fastener Spacing	Concrete Minimum 3,000 PSI Compressive Strength (Anchors are the same diameter as assembly fasteners)												Steel (Wall anchors are the same diameter as assembly fasteners)				Superimposed Loads													
								Hilti Kwik Bolt 3			Simpson Wedge All			Red Head Tri-Bolt			Powers Wedge Bolt			Hilti Kwik Bolt 3			Simpson Strong Bolt 2			Through Bolt		Welded		Tapped		Vx (+)	Vy (+)	Vz (-)			
6'-5"	1 1/2	0.656	CP1152 & CP1153	333	12	3/8	18	36	2 3/8	4	5 3/16	13	2 5/8	3 15/16	5 3/16	16	3	5 3/16	8	3/4	2 1/2	5 3/16	10	3/4	5 3/16	11	3/8	5 3/16	36	7/16 x 5/8	36	3/8	3/16	0	195	0	193



24 ELMWOOD AVE 1901 S. LITCHFIELD RD  
MOUNTAINTOP, PA GOODYEAR, AZ  
800 TULIP DRIVE  
GASTONIA, NC  
P: 800.390.8590  
F: 866.448.6798  
E: ADS@COOKSONDOOR.COM

Unless otherwise specified, dimensions are in inches & tolerances are:  
0.000 = +/- 0.031  
FRACTIONAL = +/- 1/32  
ANGLES = +/- 1/2 DEG

TITLE: WIND LOAD CONFIGURATION  
NON-INSULATED ROLLING STEEL DOOR  
CP0020 SLAT IMPACT RATED

DRAWN BY: TJE  
SCALE: AS NOTED  
SHEET: 14/15  
DWG NO: ES-16-61-TCCI

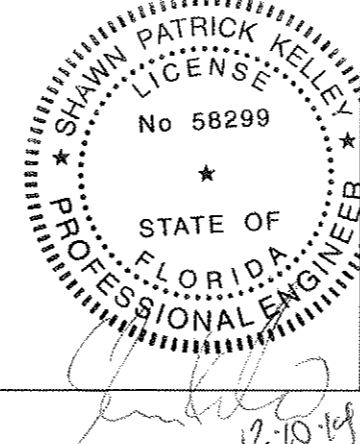
CP0020 - 0.0405 Minimum Thickness Galvanized or Stainless Steel - 65 PSF																																											
DBG Up To	Windlock Flat Location	Slp	Windlock	Guide Assembly	Windlock Weld Pitch	Assembly Fastener Diameter	Assembly Fastener Spacing	Concrete Minimum 3,000 PSI Compressive Strength (Anchors are the same diameter as assembly fasteners)												Filled CMU						Steel (Wall anchors are the same diameter as assembly fasteners)						Superimposed Loads											
								Hilti Kwik Bolt 3			Simpson Wedge All			Red Head Tri-Bolt			Powers Wedge Bolt			Hilti Kwik Bolt 3			Simpson Strong-Bolt 2			Through Bolt		Welded		Through Bolt		Tapped		Vx (+)	Vy (+)	Vx (-)	Vy (-)						
								Max O.C.	Embed	Min. Wall Thick.	Edge Dist.	Max O.C.	Embed	Min. Wall Thick.	Edge Dist.	Max O.C.	Embed	Min. Wall Thick.	Edge Dist.	Max O.C.	Embed	Min. Wall Thick.	Edge Dist.	Max O.C.	Embed	Min. Wall Thick.	Edge Dist.	Max O.C.	Embed	Min. Wall Thick.	Edge Dist.	Max O.C.	Embed					Min. Wall Thick.	Edge Dist.	Max O.C.	Embed	Min. Wall Thick.	Edge Dist.
5'-5"	1 1/2	0.656	CP1152 & CP1153	333	12	3/8	18	28	2 3/8	4	5 3/16	12	2 5/8	3 15/16	5 3/16	12	3	4 1/2	5 3/16	10	2	3	5 3/16	8	1/2	5 1/2	5 3/16	12	3/4	5 1/4	5 3/16	12	3/8	5 3/4	36	7/16 x 5/8	36	36	3/16	0	175	0	177

CP0020 - 0.0405 Minimum Thickness Galvanized or Stainless Steel - 70 PSF																																											
DBG Up To	Windlock Flat Location	Slp	Windlock	Guide Assembly	Windlock Weld Pitch	Assembly Fastener Diameter	Assembly Fastener Spacing	Concrete Minimum 3,000 PSI Compressive Strength (Anchors are the same diameter as assembly fasteners)												Filled CMU						Steel (Wall anchors are the same diameter as assembly fasteners)						Superimposed Loads											
								Hilti Kwik Bolt 3			Simpson Wedge All			Red Head Tri-Bolt			Powers Wedge Bolt			Hilti Kwik Bolt 3			Simpson Strong-Bolt 2			Through Bolt		Welded		Through Bolt		Tapped		Vx (+)	Vy (+)	Vx (-)	Vy (-)						
								Max O.C.	Embed	Min. Wall Thick.	Edge Dist.	Max O.C.	Embed	Min. Wall Thick.	Edge Dist.	Max O.C.	Embed	Min. Wall Thick.	Edge Dist.	Max O.C.	Embed	Min. Wall Thick.	Edge Dist.	Max O.C.	Embed	Min. Wall Thick.	Edge Dist.	Max O.C.	Embed	Min. Wall Thick.	Edge Dist.	Max O.C.	Embed					Min. Wall Thick.	Edge Dist.	Max O.C.	Embed	Min. Wall Thick.	Edge Dist.
5'-5"	1 1/2	0.656	CP1152 & CP1153	333	12	3/8	18	16	2 3/8	4	5 3/16	11	2 5/8	3 15/16	5 3/16	12	3	4 1/2	5 3/16	10	2	3	5 3/16	8	3/4	5 1/4	5 3/16	10	3/4	5 1/4	5 3/16	11	3/8	5 3/16	36	7/16 x 5/8	36	36	3/16	0	192	0	190

CP0020 - 0.0405 Minimum Thickness Galvanized or Stainless Steel - 80 PSF																																											
DBG Up To	Windlock Flat Location	Slp	Windlock	Guide Assembly	Windlock Weld Pitch	Assembly Fastener Diameter	Assembly Fastener Spacing	Concrete Minimum 3,000 PSI Compressive Strength (Anchors are the same diameter as assembly fasteners)												Filled CMU						Steel (Wall anchors are the same diameter as assembly fasteners)						Superimposed Loads											
								Hilti Kwik Bolt 3			Simpson Wedge All			Red Head Tri-Bolt			Powers Wedge Bolt			Hilti Kwik Bolt 3			Simpson Strong-Bolt 2			Through Bolt		Welded		Through Bolt		Tapped		Vx (+)	Vy (+)	Vx (-)	Vy (-)						
								Max O.C.	Embed	Min. Wall Thick.	Edge Dist.	Max O.C.	Embed	Min. Wall Thick.	Edge Dist.	Max O.C.	Embed	Min. Wall Thick.	Edge Dist.	Max O.C.	Embed	Min. Wall Thick.	Edge Dist.	Max O.C.	Embed	Min. Wall Thick.	Edge Dist.	Max O.C.	Embed	Min. Wall Thick.	Edge Dist.	Max O.C.	Embed					Min. Wall Thick.	Edge Dist.	Max O.C.	Embed	Min. Wall Thick.	Edge Dist.
5'-5"	1 1/2	0.656	CP1152 & CP1153	333	12	3/8	18	11	2 3/8	4	5 3/16	10	2 5/8	3 15/16	5 3/16	12	3	4 1/2	5 3/16	10	2	3	5 3/16	8	3/4	5 1/4	5 3/16	10	3/4	5 1/4	5 3/16	11	3/8	5 3/16	36	7/16 x 5/8	36	36	3/16	0	220	0	217

CP0020 - 0.0405 Minimum Thickness Galvanized or Stainless Steel - 90 PSF																																											
DBG Up To	Windlock Flat Location	Slp	Windlock	Guide Assembly	Windlock Weld Pitch	Assembly Fastener Diameter	Assembly Fastener Spacing	Concrete Minimum 3,000 PSI Compressive Strength (Anchors are the same diameter as assembly fasteners)												Filled CMU						Steel (Wall anchors are the same diameter as assembly fasteners)						Superimposed Loads											
								Hilti Kwik Bolt 3			Simpson Wedge All			Red Head Tri-Bolt			Powers Wedge Bolt			Hilti Kwik Bolt 3			Simpson Strong-Bolt 2			Through Bolt		Welded		Through Bolt		Tapped		Vx (+)	Vy (+)	Vx (-)	Vy (-)						
								Max O.C.	Embed	Min. Wall Thick.	Edge Dist.	Max O.C.	Embed	Min. Wall Thick.	Edge Dist.	Max O.C.	Embed	Min. Wall Thick.	Edge Dist.	Max O.C.	Embed	Min. Wall Thick.	Edge Dist.	Max O.C.	Embed	Min. Wall Thick.	Edge Dist.	Max O.C.	Embed	Min. Wall Thick.	Edge Dist.	Max O.C.	Embed					Min. Wall Thick.	Edge Dist.	Max O.C.	Embed	Min. Wall Thick.	Edge Dist.
4'-5"	1 1/2	0.656	CP1152 & CP1153	333	12	3/8	18	9	2 3/8	4	5 3/16	11	2 5/8	3 15/16	5 3/16	11	3	4 1/2	5 3/16	8	2	3	5 3/16	8	3/4	5 1/4	5 3/16	10	3/4	5 1/4	5 3/16	11	3/8	5 3/16	36	7/16 x 5/8	36	36	3/16	0	202	0	199

CP0020 - 0.0405 Minimum Thickness Galvanized or Stainless Steel - 100 PSF																																							
DBG Up To	Windlock Flat Location	Slp	Windlock	Guide Assembly	Windlock Weld Pitch	Assembly Fastener Diameter	Assembly Fastener Spacing	Concrete Minimum 3,000 PSI Compressive Strength (Anchors are the same diameter as assembly fasteners)												Filled CMU						Steel (Wall anchors are the same diameter as assembly fasteners)						Superimposed Loads							
								Hilti Kwik Bolt 3			Simpson Wedge All			Red Head Tri-Bolt			Powers Wedge Bolt			Hilti Kwik Bolt 3			Simpson Strong-Bolt 2			Through Bolt		Welded		Through Bolt		Tapped		Vx (+)	Vy (+)	Vx (-)	Vy (-)		
								Max O.C.	Embed	Min. Wall Thick.	Edge Dist.	Max O.C.	Embed	Min. Wall Thick.	Edge Dist.	Max O.C.	Embed	Min. Wall Thick.	Edge Dist.	Max O.C.	Embed	Min. Wall Thick.	Edge Dist.	Max O.C.	Embed	Min. Wall Thick.	Edge Dist.	Max O.C.	Embed	Min. Wall Thick.	Edge Dist.	Max O.C.	Embed					Min. Wall Thick.	Edge Dist.
4'-5"	1 1/2	0.656	CP1152 & CP1153	333	12	3/8	18	8	2 3/8	5	5 3/16	10	2 5/8	3 15/16	5 3/16	10	3	4 1/2	5 3/16	8	2	3	5 3/16	8	3/4	5 1/4	5 3/16	10	3/8	5 3/16	36	7/16 x 5/8	36	36	3/16	0	224	0	221



24 ELMWOOD AVE 1901 S. LITCHFIELD RD  
MOUNTAINTOP, PA GOODYEAR, AZ  
800 TULIP DRIVE  
GASTONIA, NC  
P: 800.390.8590  
F: 866.448.6798  
E: ADS@COOKSONDOOR.COM

Unless otherwise specified, dimensions are in inches & tolerances are:  
0.000 = +/- 0.031  
FRACTIONAL = +/- 1/32  
ANGLES = +/- 1/2 DEG

TITLE: WIND LOAD CONFIGURATION  
NON-INSULATED ROLLING STEEL DOOR  
CP0020 SLAT IMPACT RATED

DRAWN BY: TJE  
SIZE: B  
SCALE: AS NOTED  
SHEET: 15/15  
DWG NO: ES-16-61-TCCI

12-10-14