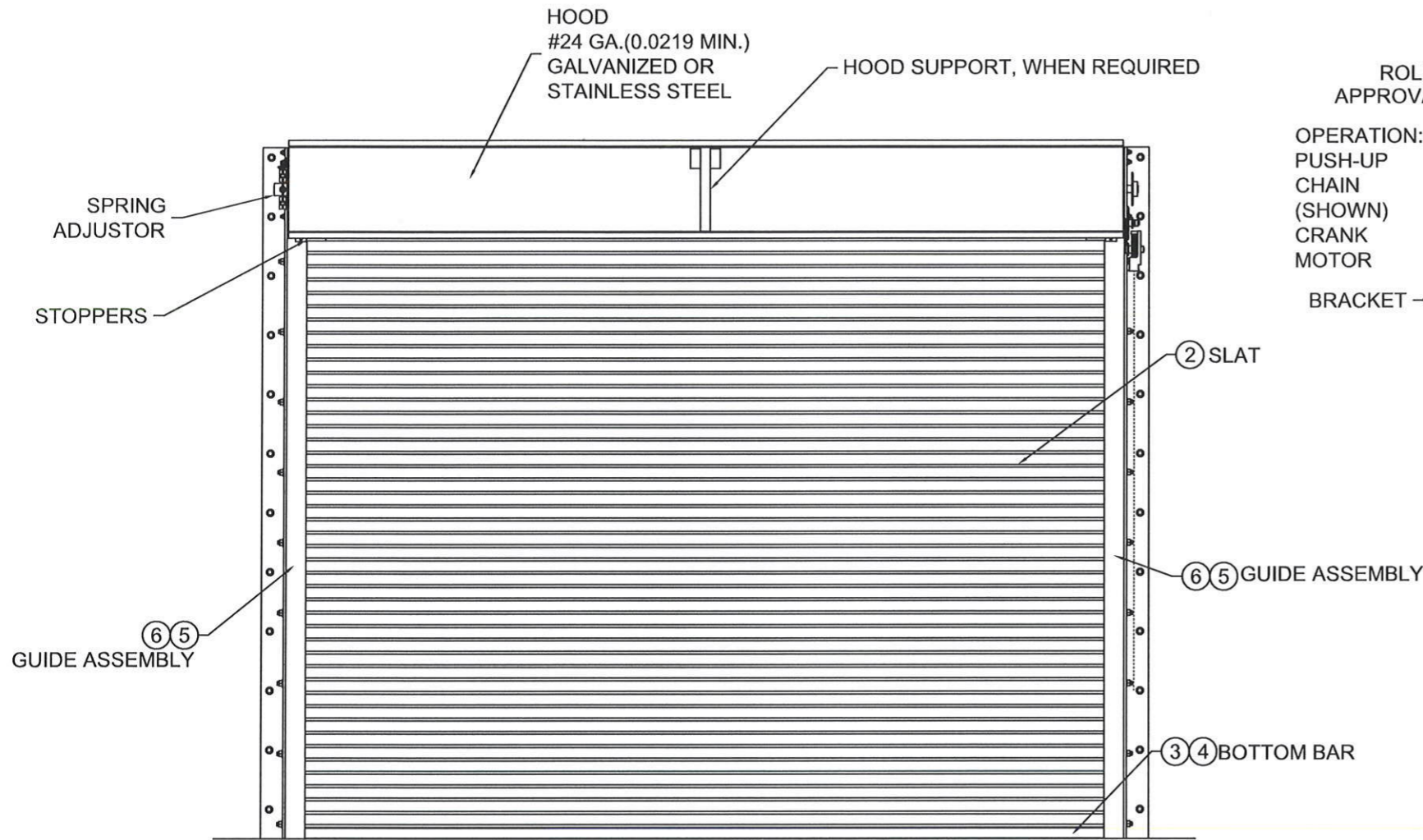
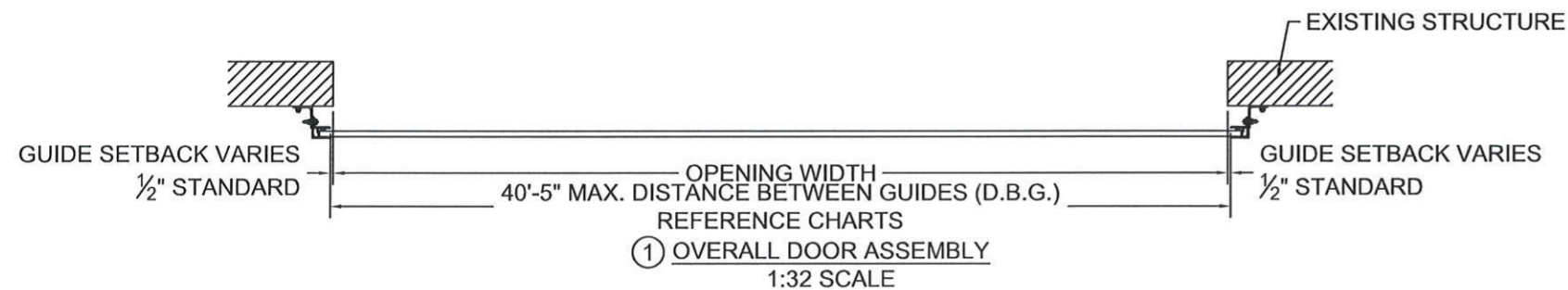
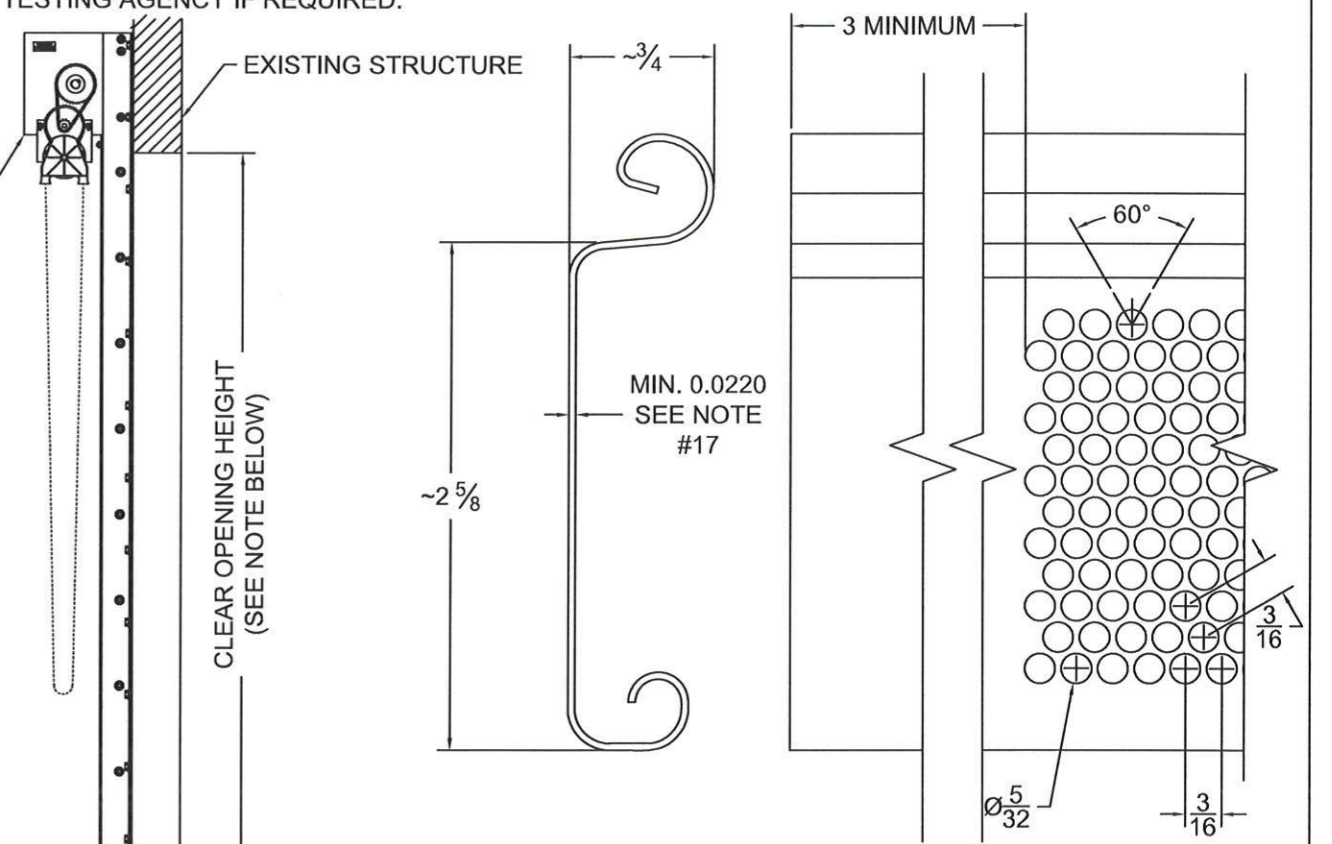


| L'TR | REVISION | DATE | BY | E.C.O. |
|------|----------------|----------|-----|--------|
| * | ORIGINAL ISSUE | 09/30/14 | TJE | 1615 |



ROLL-UP MECHANISM NOT INCLUDED IN THIS APPROVAL. MUST BE CERTIFIED BY AN INDEPENDENT TESTING AGENCY IF REQUIRED.

OPERATION:
PUSH-UP
CHAIN
(SHOWN)
CRANK
MOTOR
BRACKET



NOTE: WIND LOADS SPECIFIED IN TABLES ARE ACCEPTABLE FOR ANY C.O.H.. FOR GREATER THAN 30 FT, C.O.H., MOUNTING CONDITIONS SHALL BE DETERMINED ON A SITE SPECIFIC BASIS.

② SLAT DETAIL & OPTIONAL PERFORATION PATTERN
TYPICAL SECTION
ASTM A653 HSLAS TYPE B GRADE 40 G40 OR
ASTM A653 HSLAS TYPE A GRADE 40 G40 OR
ASTM A653 STRUCTURAL STEEL GRADE 40 G40
OR TYPE 304 STAINLESS STEEL (MIN. YIELD 40,000 psi)
OR TYPE 316 STAINLESS STEEL (MIN. YIELD 40,000 psi)
OR TYPE 430 STAINLESS STEEL (MIN. YIELD 40,000 psi)
OR TYPE 201 STAINLESS STEEL (MIN. YIELD 40,000 psi)
FULL SCALE



24 ELMWOOD AVE 1901 S. LITCHFIELD RD
MOUNTAINTOP, PA GOODYEAR, AZ
800 TULIP DRIVE
GASTONIA, NC
P: 800.233.8366
F: 800.526.0841
E: ADS@CORNELLIRON.COM

Unless otherwise specified, dimensions are in inches & tolerances are:
0.000 = +/- 0.031
FRACTIONAL = +/- 1/32
ANGLES = +/- 1/2 DEG

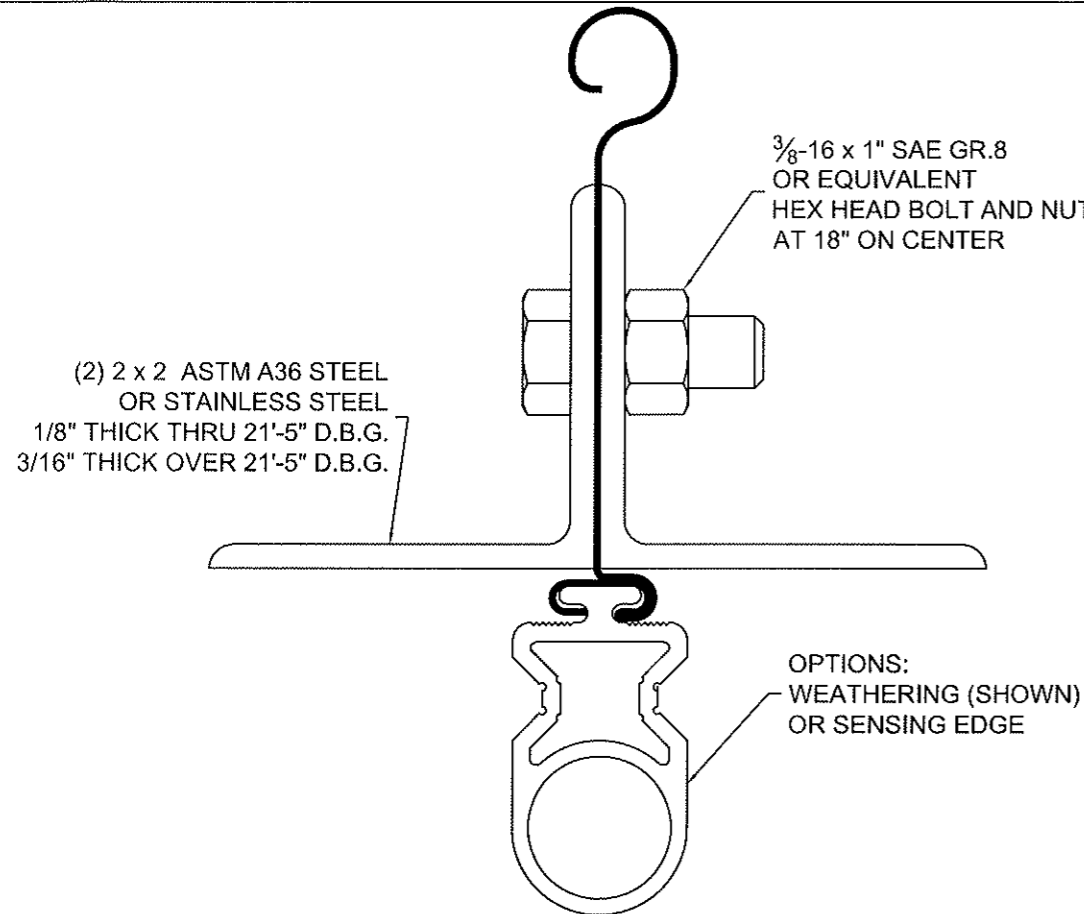
TITLE: WIND LOAD CONFIGURATION
NON-INSULATED ROLLING STEEL DOOR
CP0020 SLAT NON-IMPACT RATED

DRAWN BY: TJE
SIZE: B
SCALE: AS NOTED
SHEET: 1/21
DWG NO: ES-16-62-CIW

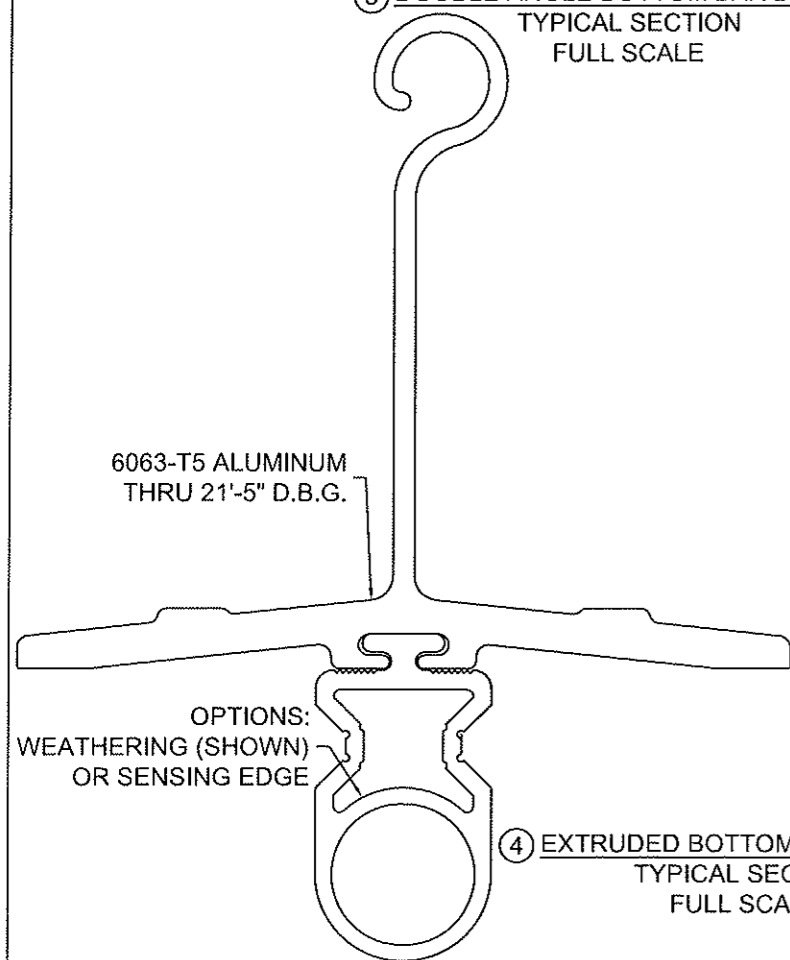
| L'TR | REVISION | DATE | BY | E.C.O. |
|------|----------------|----------|-----|--------|
| * | ORIGINAL ISSUE | 09/30/14 | TJE | 1615 |

GENERAL NOTES:

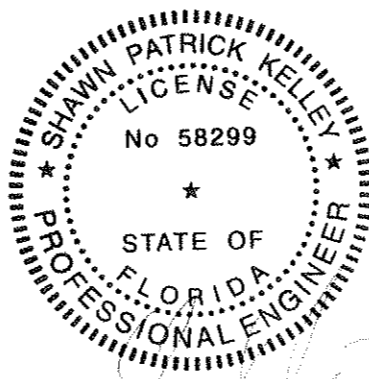
1. THESE PRODUCT EVALUATION DOCUMENTS REPRESENT A ROLL-UP DOOR ASSEMBLY DESIGNED AND TESTED IN ACCORDANCE WITH THE STANDARD BUILDING CODE, THE INTERNATIONAL BUILDING CODE, AND THE FLORIDA BUILDING CODE.
2. THIS ROLL-UP DOOR HAS BEEN TESTED FOR UNIFORM STATIC PRESSURE, IMPACT AND FATIGUE RESISTANCE IN ACCORDANCE WITH THE FBC TEST PROTOCOLS FOR HIGH VELOCITY HURRICANE ZONES TAS 201, TAS 202, AND TAS 203.
3. A 33% INCREASE IN ALLOWABLE STRESS HAS NOT BEEN USED IN THE DESIGN OF THIS PRODUCT.
4. DETERMINE THE POSITIVE AND NEGATIVE DESIGN LOADS TO USE WHEN REFERENCING THESE DOCUMENTS IN ACCORDANCE WITH THE GOVERNING CODE AND GOVERNING WIND VELOCITY.
5. THESE PRODUCT EVALUATION DOCUMENTS ARE PREPARED BY THE PRODUCT ENGINEER AND ARE GENERIC. THEY DO NOT INCLUDE INFORMATION PREPARED FOR A SPECIFIC SITE.
6. THESE PRODUCT EVALUATION DOCUMENTS ARE NOT VALID FOR PERMIT WITHOUT ORIGINAL SIGNATURE, DATE AND EMBOSSED SEAL ON EACH PERMIT COPY, WHETHER OR NOT A MASTER APPROVAL DOCUMENT IS ON FILE WITH A MUNICIPALITY OR OTHER GOVERNING AGENCY.
7. THESE PRODUCT EVALUATION DOCUMENTS ARE SUITABLE TO BE APPLIED BY THE CONTRACTOR PROVIDED THE CONTRACTOR DOES NOT DEVIATE FROM THE CONDITIONS DETAILED HEREIN AND THE CONTRACTOR VERIFIES THE EXISTING STRUCTURE IS CAPABLE OF SUPPORTING THE SUPERIMPOSED LOADS V_x & V_y ON THE JAMBS OF THE DOOR.
8. ALTERATIONS OR ADDITIONS TO THIS DOCUMENT ARE NOT PERMITTED.
9. WHEN THE SITE CONDITIONS DEVIATE FROM THESE PRODUCT EVALUATION DOCUMENTS, SITE SPECIFIC DOCUMENTS SHALL BE PREPARED BY A DULY LICENSED AND REGISTERED ENGINEER OR ARCHITECT.
10. IF THE DEVIATING SITE SPECIFIC DOCUMENTS ARE PREPARED BY A DELEGATED REGISTERED ENGINEER OR ARCHITECT, SAID DOCUMENTS SHALL BEAR THE DATE, SIGNATURE, AND EMBOSSED SEAL OF THE DELEGATED ENGINEER OR ARCHITECT AND SHALL BE SUBMITTED TO THE PROJECT ENGINEER FOR REVIEW.
11. ALL HARDWARE SHALL BE GALVANIZED STEEL, PLATED STEEL OR STAINLESS STEEL
12. ALL WINDLOCK RIVETS SHALL BE 1/4" STEEL RIVETS IFI GRADE 30 WITH A MINIMUM TENSILE STRENGTH OF 1,850 LBS., AND SHEAR STRENGTH OF 2,400 LBS., U.O.N.. RIVETS TO BE INSTALLED IN ALL WINDLOCK HOLES.
13. ENDLOCKS/WINDLOCKS SHALL BE CAST MALLEABLE IRON TYPE 32510 PER ASTM A47 OR CAST DUCTILE IRON PER ASTM A536 GRADE 65-45-12.
14. ALL WELDING SHALL BE PERFORMED BY QUALIFIED WELDERS IN ACCORDANCE WITH A.W.S. SPECIFICATIONS, LATEST EDITION. ALL WELDING ELECTRODES SHALL CONFORM TO A.W.S. A5.1 GRADE E-70. MINIMUM WELDING PROCESSES SHALL BE ARC WELDING A.W.S. E7014 OR MIG WELDING A.W.S. ER70S-6.
15. ANCHOR NOTES:
 A. EMBEDMENT LENGTH DOES NOT INCLUDE STUCCO FINISH.
 B. ANCHORS SHALL BE INSTALLED IN ACCORDANCE WITH MANUFACTURERS SPECIFICATIONS.
 C. ANCHOR CAPACITY FOR THIS ROLL-UP DOOR IS BASED ON MIN. 3,000 P.S.I. CONCRETE EXCEPT WHERE NOTED..
 D. FOR MINIMUM EMBEDMENT AND MINIMUM EDGE DISTANCE, REFER TO TABLES.
16. DOOR MAY BE INSTALLED ON THE INSIDE OR OUTSIDE OF AN EXTERIOR WALL
17. IF OPTIONAL PERFORATION PATTERN IS CHOOSEN, MINIMUM SLAT THICKNESS IS 0.0405"
18. ALL SHAPES USED FOR GUIDE ASSEMBLIES MUST CONFORM TO ATSM A36 FOR STEEL OR ASTM A276 FOR TYPES 304 OR 316 WITH A MINIMUM 36 KSI YIELD STRENGTH.



③ DOUBLE ANGLE BOTTOM BAR DETAIL
TYPICAL SECTION
FULL SCALE

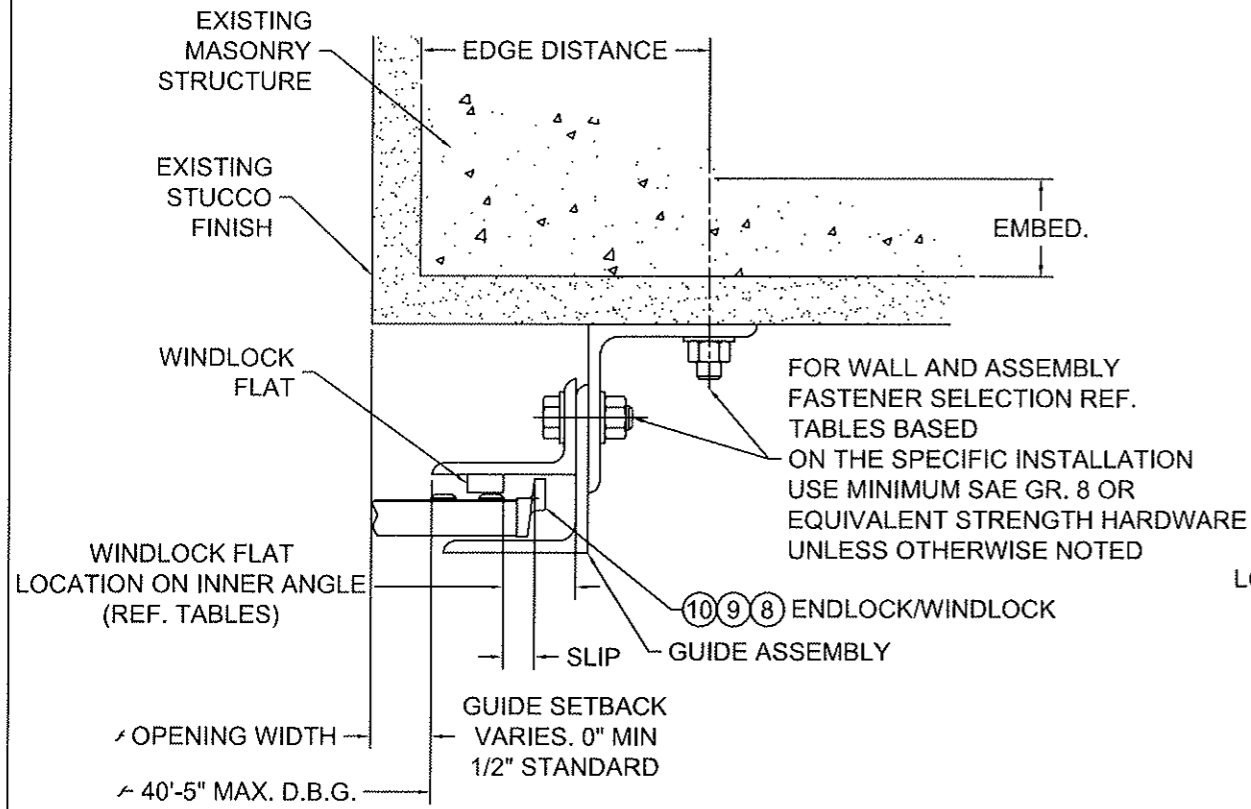


④ EXTRUDED BOTTOM BAR DETAIL
TYPICAL SECTION
FULL SCALE



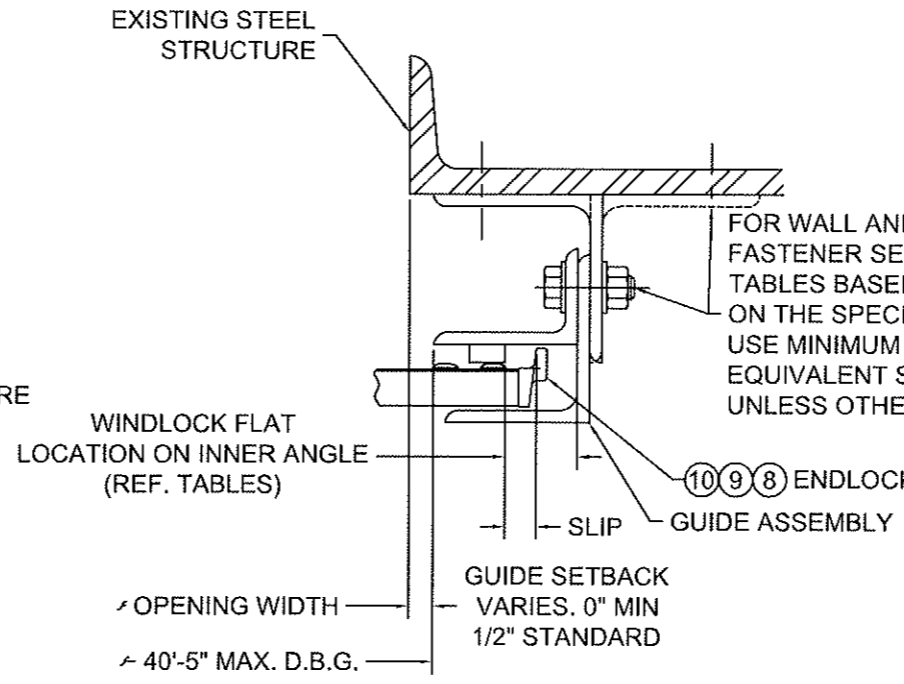
| | | | |
|---------|---|-------------------------|--|
| | 24 ELMWOOD AVE 1901 S. LITCHFIELD RD MOUNTAINTOP, PA GOODYEAR, AZ 800 TULIP DRIVE GASTONIA, NC P: 800.233.8366 F: 800.526.0841 E: ADS@CORNELLIRON.COM | | Unless otherwise specified, dimensions are in inches & tolerances are: 0.000 = +/- 0.031 FRACTIONAL = +/- 1/32 ANGLES = +/- 1/2 DEG |
| | TITLE: WIND LOAD CONFIGURATION NON-INSULATED ROLLING STEEL DOOR CP0020 SLAT NON-IMPACT RATED | DRAWN BY: TJE | SIZE: B |
| DWG NO: | | ES-16-62-CIW | |

| L'TR | REVISION | DATE | BY | E.C.O. |
|------|----------------|----------|-----|--------|
| * | ORIGINAL ISSUE | 09/30/14 | TJE | 1615 |

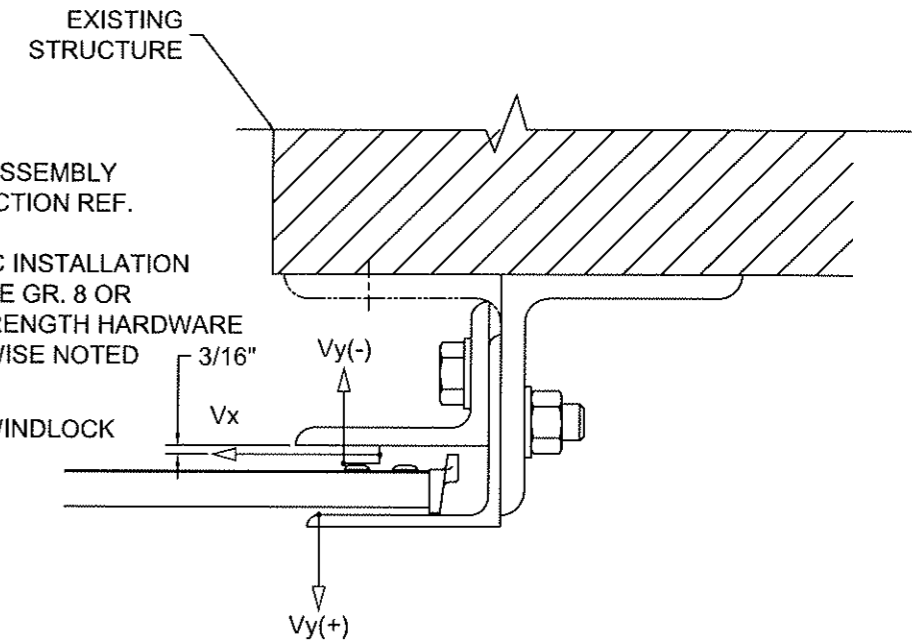


NOTE:
THROUGH BOLTING TO FILLED BLOCK REQUIRES THE USE OF 1/4"
THICK STEEL OR STAINLESS STEEL CRUSH PLATE

⑤ GUIDE ASSEMBLY
CONCRETE OR FILLED BLOCK
STRUCTURE
(Z-GUIDE)



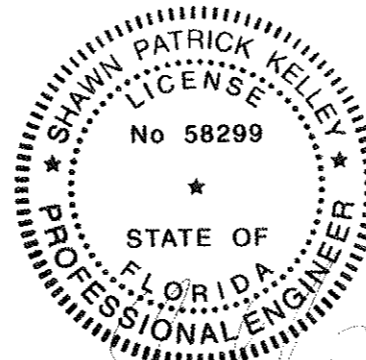
⑥ GUIDE ASSEMBLY
STEEL STRUCTURE
(Z-GUIDE OR E-GUIDE)



NOTE:

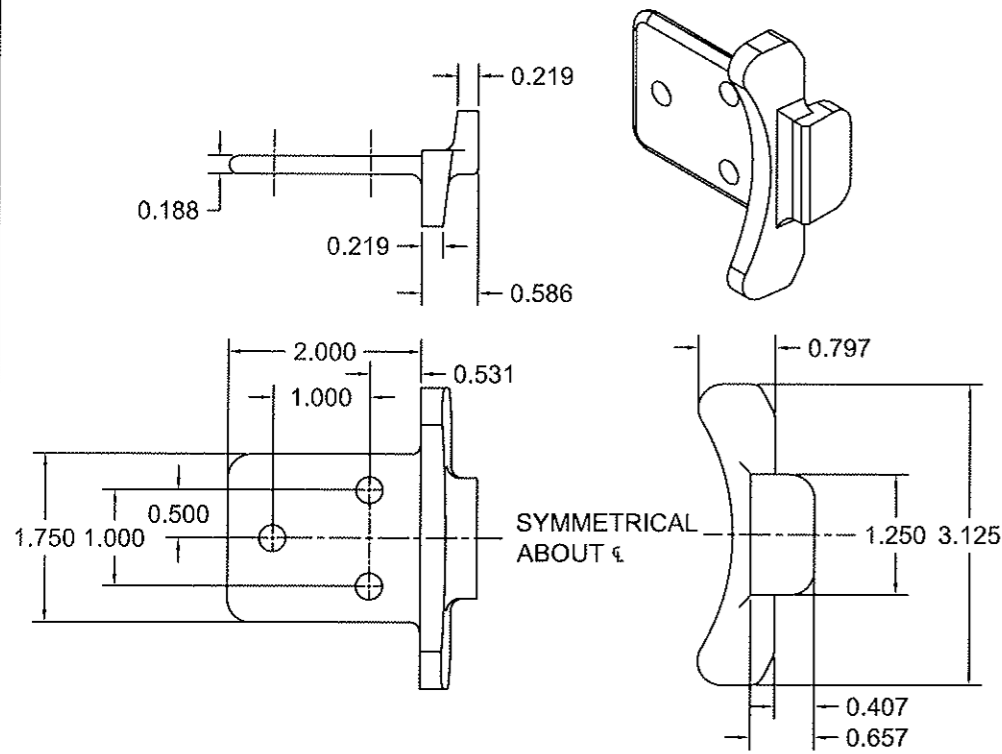
1. Vx & Vy ARE HORIZ. AND VERT. COMPONENTS OF THE REACTION, RESPECTIVELY, RESULTING FROM WIND LOADS ON THE ROLL-UP DOOR. THE EXISTING STRUCTURE SHALL BE CAPABLE OF RESISTING Vx & Vy FORCES SHOWN AND THE CORRESPONDING REACTIONS DUE TO THE ECCENTRICITIES OF THE FORCES.

⑦ SUPERIMPOSED LOAD DIAGRAM
SCALE: 3" = 1'-0"

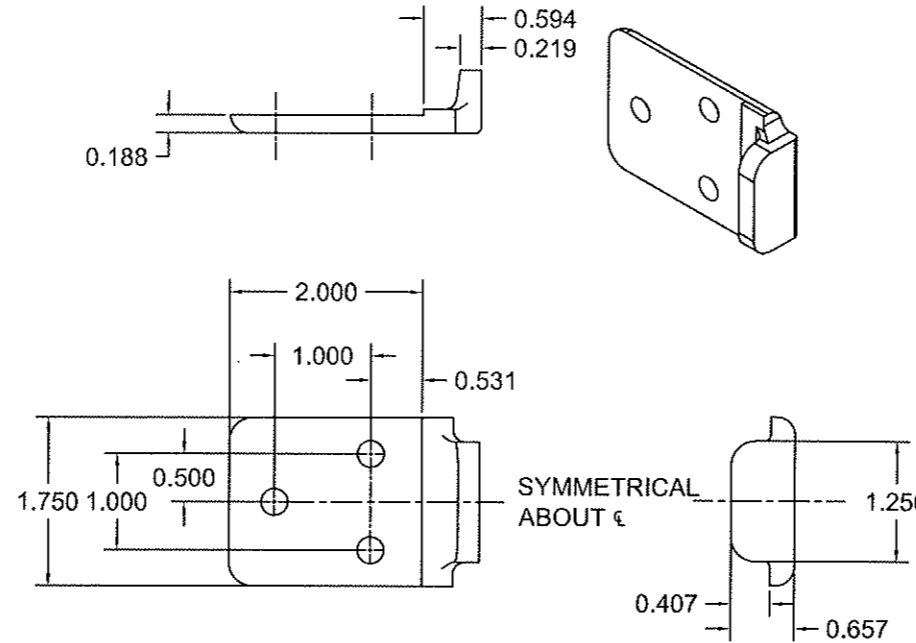


| | | | | |
|--|---|-----------------------------|--|---------------------------|
| | 24 ELMWOOD AVE 1901 S. LITCHFIELD RD MOUNTAINTOP, PA GOODYEAR, AZ 800 TULIP DRIVE GASTONIA, NC P: 800.233.8366 F: 800.526.0841 E: ADS@CORNELLIRON.COM | | Unless otherwise specified, dimensions are in inches & tolerances are: 0.000 = +/- 0.031 FRACTIONAL = +/- 1/32 ANGLES = +/- 1/2 DEG | |
| | TITLE: WIND LOAD CONFIGURATION NON-INSULATED ROLLING STEEL DOOR CP0020 SLAT NON-IMPACT RATED | DRAWN BY: TJE | SIZE: B | SCALE: AS NOTED |
| | | DWG NO: ES-16-62-CIW | | |

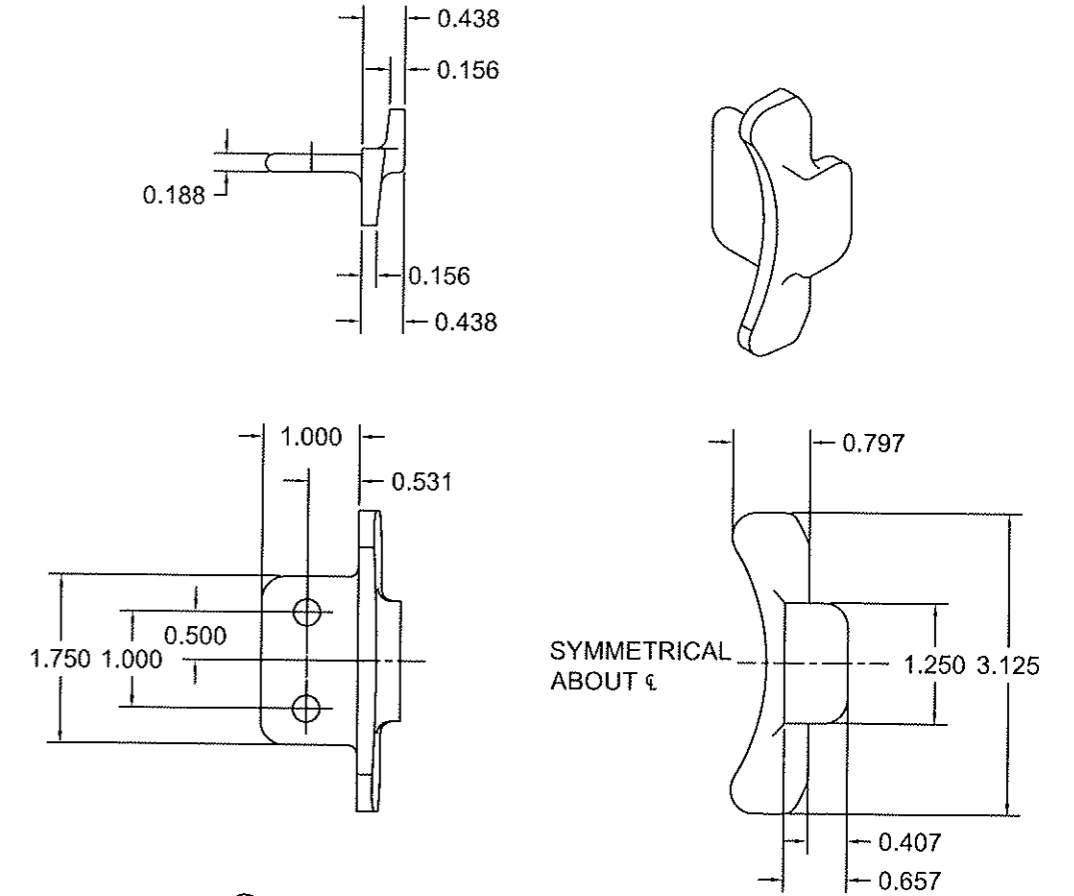
| L'TR | REVISION | DATE | BY | E.C.O. |
|------|----------------|----------|-----|--------|
| * | ORIGINAL ISSUE | 09/30/14 | TJE | 1615 |



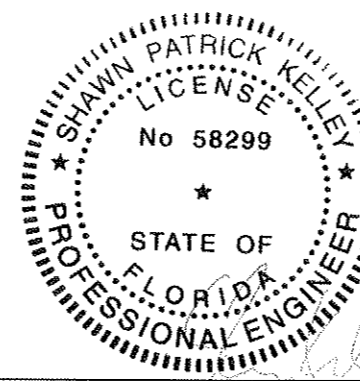
⑧ ENDLOCK / WINDLOCK DETAIL, CP1152
 CAST MALLEABLE IRON ASTM A47, GRADE 32510, OR
 DUCTILE IRON PER ASTM A536 GRADE 65-45-12, GALVANIZED IN ACCORDANCE WITH
 ASTM A123, GRADE 85 ZINC-COATING
 1/2 SCALE



⑨ WINDLOCK DETAIL, CP1153
 CAST MALLEABLE IRON ASTM A47, GRADE 32510, OR
 DUCTILE IRON PER ASTM A536 GRADE 65-45-12, GALVANIZED IN
 ACCORDANCE WITH ASTM A123, GRADE 85 ZINC-COATING
 1/2 SCALE

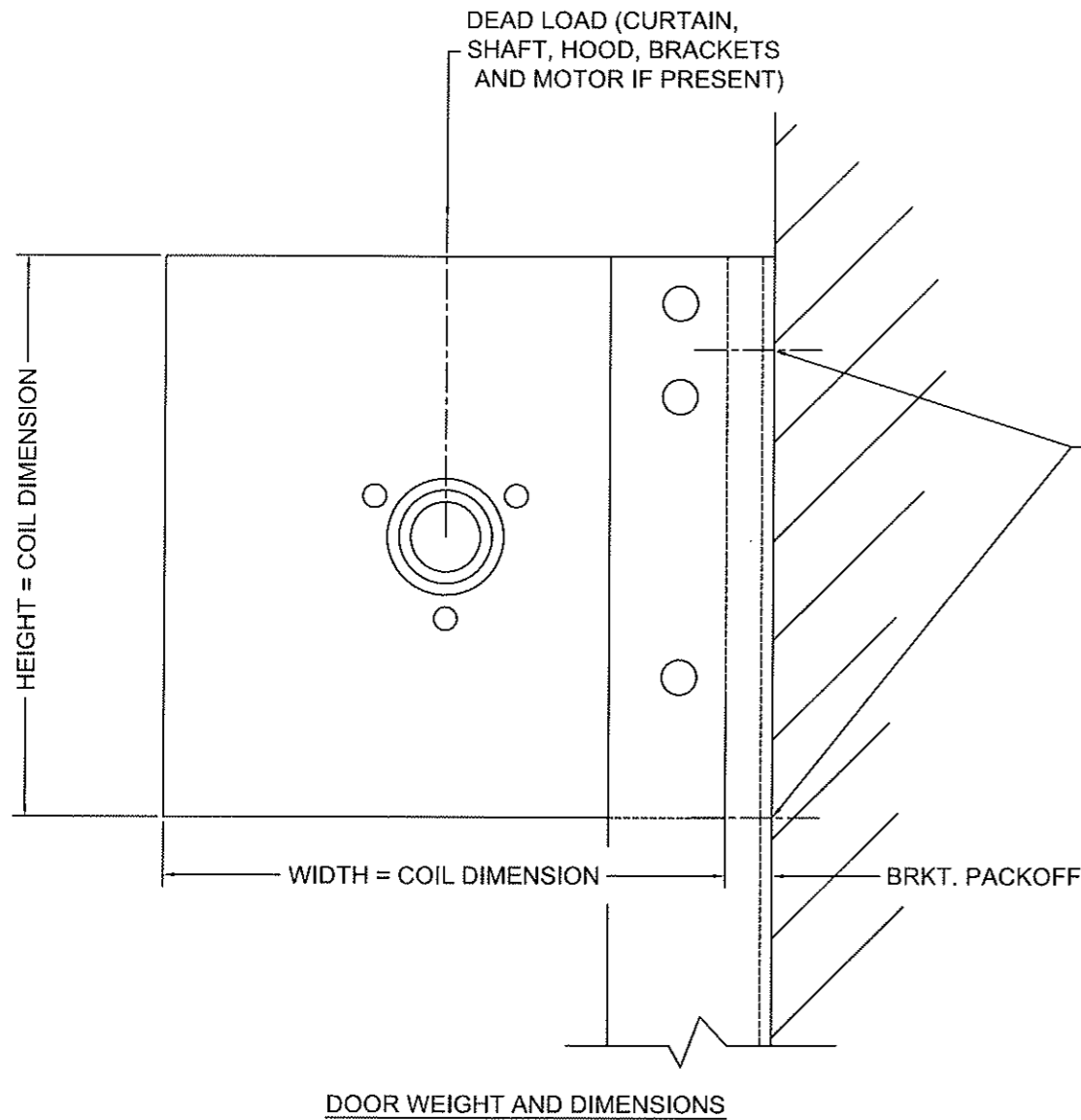


⑩ ENDLOCK / WINDLOCK DETAIL, CP1151
 CAST MALLEABLE IRON ASTM A47, GRADE 32510, OR
 DUCTILE IRON PER ASTM A536 GRADE 65-45-12, GALVANIZED IN ACCORDANCE WITH
 ASTM A123, GRADE 85 ZINC-COATING
 1/2 SCALE

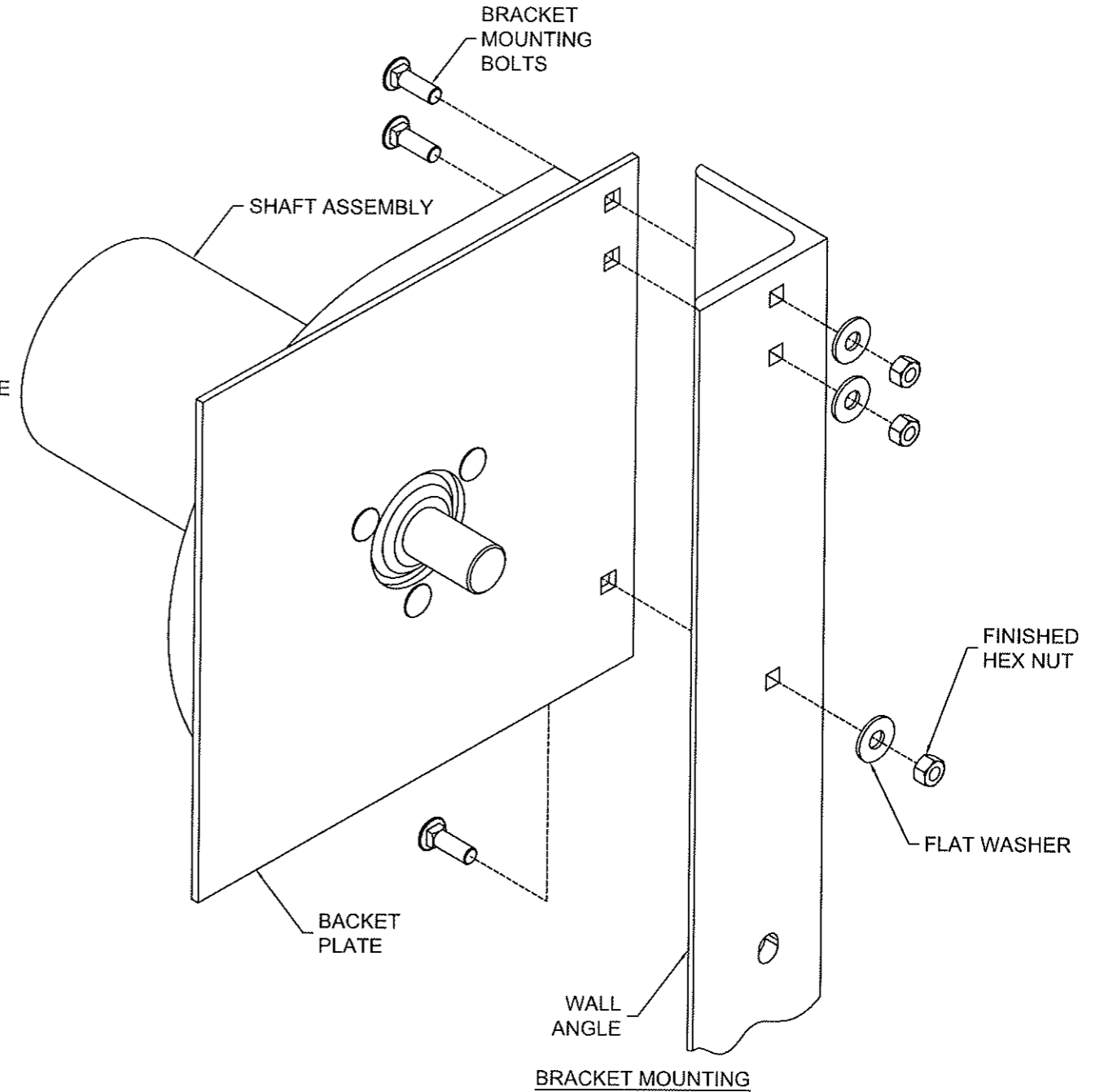


| | | | | |
|---------|---|-------------------------|--|---------------------------|
| | 24 ELMWOOD AVE 1901 S. LITCHFIELD RD MOUNTAINTOP, PA GOODYEAR, AZ 800 TULIP DRIVE GASTONIA, NC P: 800.233.8366 F: 800.526.0841 E: ADS@CORNELLIRON.COM | | Unless otherwise specified, dimensions are in inches & tolerances are: 0.000 = +/- 0.031 FRACTIONAL = +/- 1/32 ANGLES = +/- 1/2 DEG | |
| | TITLE: WIND LOAD CONFIGURATION NON-INSULATED ROLLING STEEL DOOR CP0020 SLAT NON-IMPACT RATED | DRAWN BY: TJE | SIZE: B | SCALE: AS NOTED |
| DWG NO: | | ES-16-62-CIW | | |

| L'TR | REVISION | DATE | BY | E.C.O. |
|------|----------------|----------|-----|--------|
| * | ORIGINAL ISSUE | 09/30/14 | TJE | 1615 |



FOR "WALL ANGLE" TO WALL CONNECTION, REF. TABLES BASED ON THE SPECIFIC INSTALLATION. USE AT LEAST ONE FASTENER OR WELD AT THE INDICATED LOCATIONS.

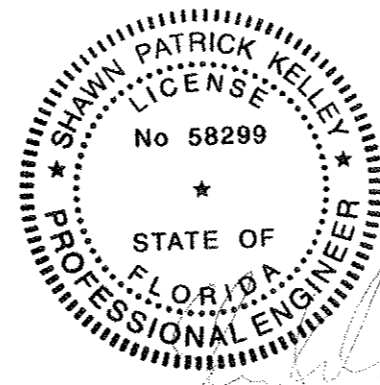


NOTE:

1. WHEN MOTOR IS PROVIDED, HEIGHT OR WIDTH DIMENSION MAY INCREASE UP TO 2-1/2" BASED ON MOTOR LOCATION. WHEN AN 8" DIAMETER OR LARGER SHAFT ASSEMBLY IS PROVIDED, HEIGHT DIMENSION INCREASES BY 2".

NOTE:

1. STANDARD BRACKET MOUNTING DETAIL IS DEPICTED, OTHER MOUNTINGS ARE AVAILABLE



CORNELL
SAFE AND SECURE

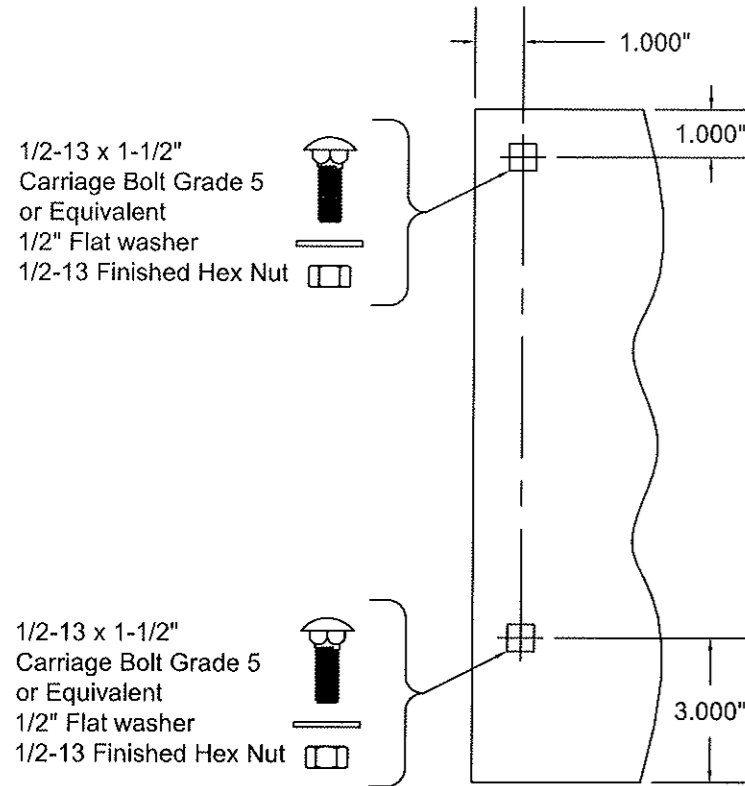
24 ELMWOOD AVE 1901 S. LITCHFIELD RD
MOUNTAINTOP, PA GOODYEAR, AZ
800 TULIP DRIVE
GASTONIA, NC
P: 800.233.8366
F: 800.526.0841
E: ADS@CORNELLIRON.COM

Unless otherwise specified, dimensions are in inches & tolerances are:
0.000 = +/- 0.031
FRACTIONAL = +/- 1/32
ANGLES = +/- 1/2 DEG

TITLE: WIND LOAD CONFIGURATION
NON-INSULATED ROLLING STEEL DOOR
CP0020 SLAT NON-IMPACT RATED

DRAWN BY: TJE
SIZE: B
SCALE: AS NOTED
SHEET: 5/21
DWG NO: ES-16-62-CIW

| L'TR | REVISION | DATE | BY | E.C.O. |
|------|----------------|----------|-----|--------|
| * | ORIGINAL ISSUE | 09/30/14 | TJE | 1615 |



1/2-13 x 1-1/2"
Carriage Bolt Grade 5
or Equivalent
1/2" Flat washer
1/2-13 Finished Hex Nut

1/2-13 x 1-1/2"
Carriage Bolt Grade 5
or Equivalent
1/2" Flat washer
1/2-13 Finished Hex Nut

1/2-13 x 1-1/2"
Carriage Bolt Grade 5
or Equivalent
1/2" Flat washer
1/2-13 Finished Hex Nut

NOTE:
WHEN A 8"Ø OR LARGER SHAFT
ASSEMBLY IS PROVIDED, THERE IS
A 2" EXTENSION ON THE BOTTOM
OF THE BRACKET.

THRU 10"Ø SHAFT ASSEMBLY
17" AND LARGER COIL DIMENSION
MIN. THICKNESS 0.240" ASTM A36 STEEL
OR ASTM A480 STAINLESS STEEL,
TYPES 304 OR 316, MIN. 36 KSI YIELD STRENGTH
SCALE: 1-1/2" = 1'-0"

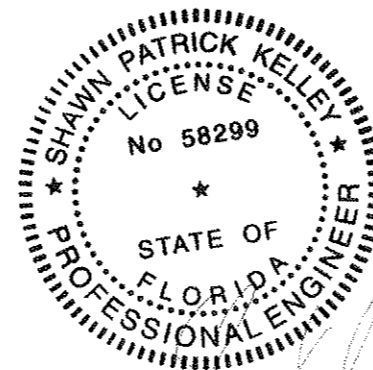
1/2-13 x 1-1/2"
Carriage Bolt Grade 5
or Equivalent
1/2" Flat washer
1/2-13 Finished Hex Nut

1/2-13 x 1-1/2"
Carriage Bolt Grade 5
or Equivalent
1/2" Flat washer
1/2-13 Finished Hex Nut

1/2-13 x 1-1/2"
Carriage Bolt Grade 5
or Equivalent
1/2" Flat washer
1/2-13 Finished Hex Nut

1/2-13 x 1-1/2"
Carriage Bolt Grade 5
or Equivalent
1/2" Flat washer
1/2-13 Finished Hex Nut

12"Ø SHAFT ASSEMBLY
17" AND LARGER COIL DIMENSION
MIN. THICKNESS 0.240" ASTM A36 STEEL
OR ASTM A480 STAINLESS STEEL,
TYPES 304 OR 316, MIN. 36 KSI YIELD STRENGTH
SCALE: 1-1/2" = 1'-0"



CORNELL
SAFE AND SECURE

24 ELMWOOD AVE 1901 S. LITCHFIELD RD
MOUNTAINTOP, PA GOODYEAR, AZ
800 TULIP DRIVE
GASTONIA, NC
P: 800.233.8366
F: 800.526.0841
E: ADS@CORNELLIRON.COM

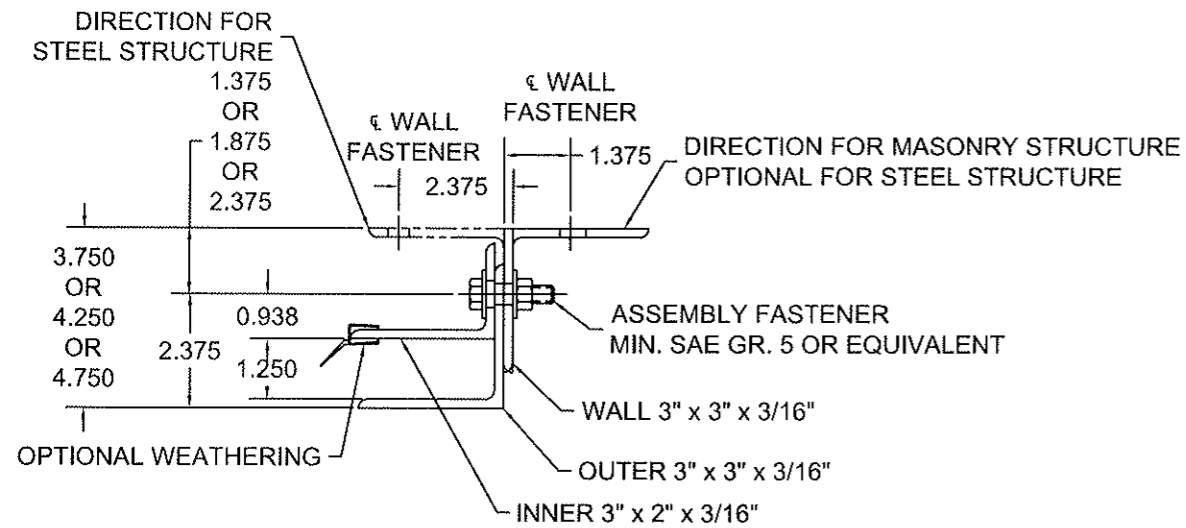
Unless otherwise specified,
dimensions are in inches &
tolerances are:

0.000 = +/- 0.031
FRACTIONAL = +/- 1/32
ANGLES = +/- 1/2 DEG

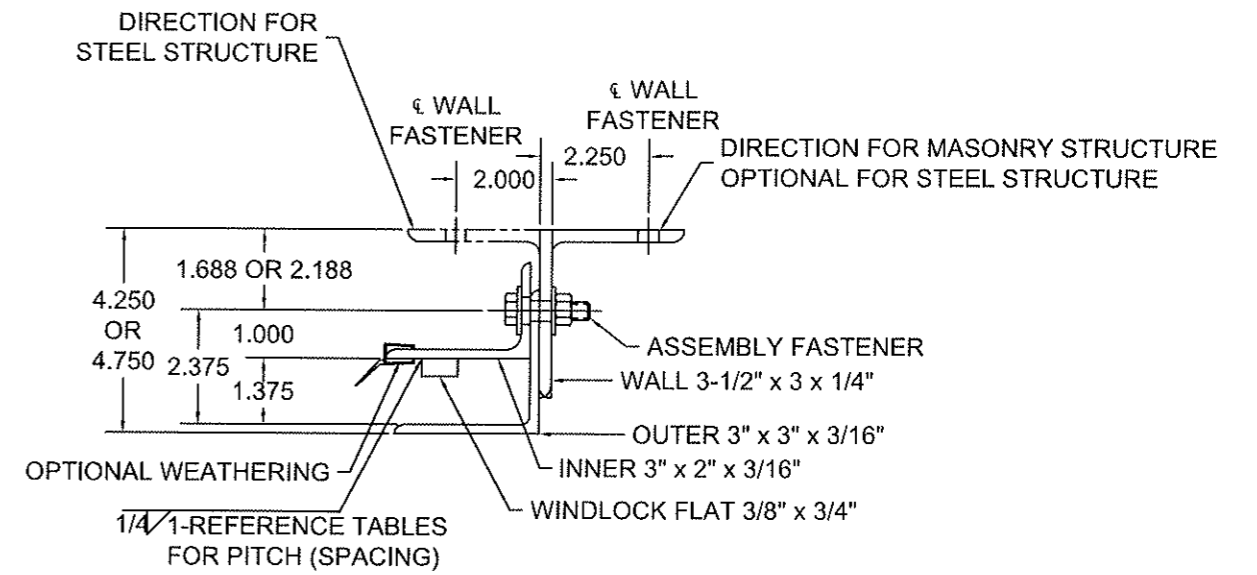
TITLE: WIND LOAD CONFIGURATION
NON-INSULATED ROLLING STEEL DOOR
CP0020 SLAT NON-IMPACT RATED

DRAWN BY: TJE
SIZE: B
SCALE: AS NOTED
SHEET: 6/21
DWG NO: ES-16-62-CIW

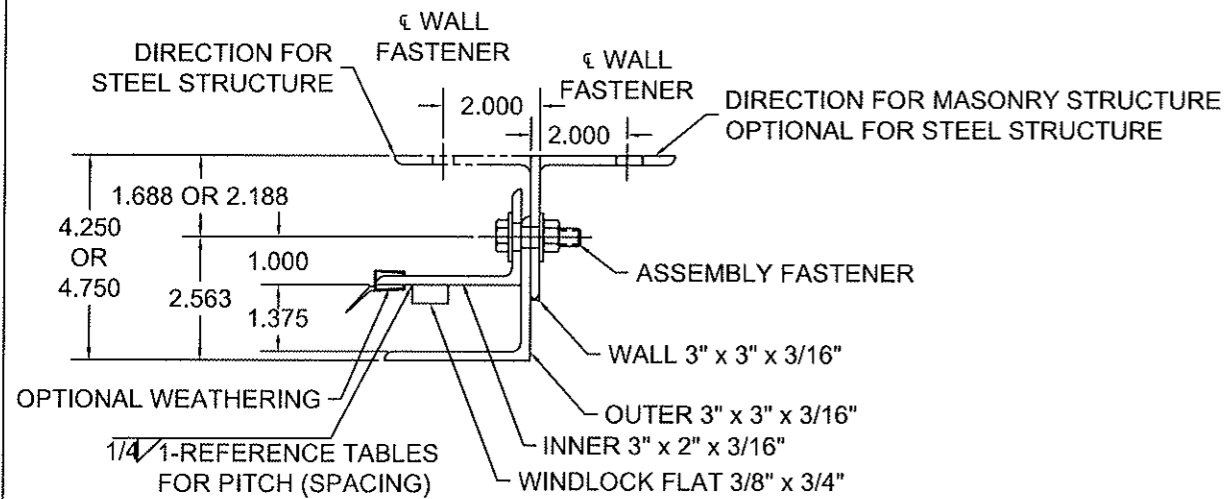
| L'TR | REVISION | DATE | BY | E.C.O. |
|------|----------------|----------|-----|--------|
| * | ORIGINAL ISSUE | 09/30/14 | TJE | 1615 |



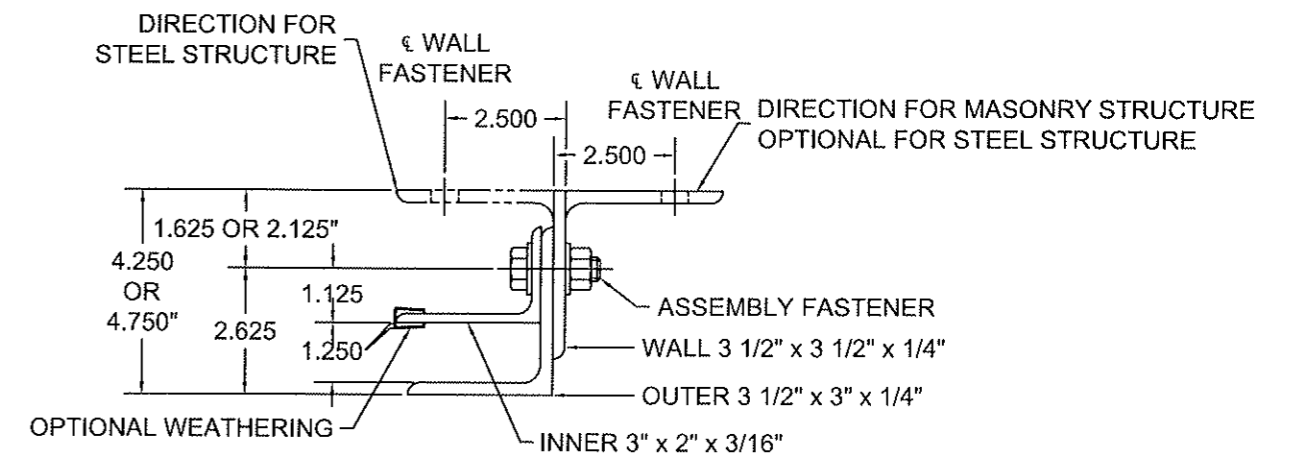
GUIDE ASSEMBLY TYPE 333* (NON-WINDLOCK)
SCALE: 3" = 1'-0"



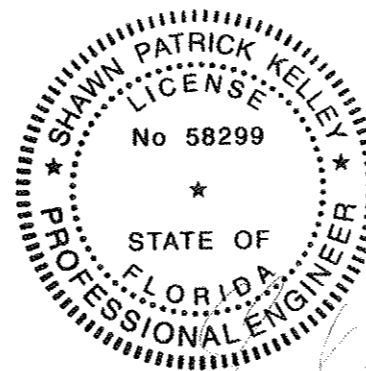
GUIDE ASSEMBLY TYPE 334
SCALE: 3" = 1'-0"



GUIDE ASSEMBLY TYPE 333
SCALE: 3" = 1'-0"



GUIDE ASSEMBLY TYPE 344* (NON-WINDLOCK)
SCALE: 3" = 1'-0"



24 ELMWOOD AVE 1901 S. LITCHFIELD RD
MOUNTAINTOP, PA GOODYEAR, AZ
800 TULIP DRIVE
GASTONIA, NC
P: 800.233.8366
F: 800.526.0841
E: ADS@CORNELLIRON.COM

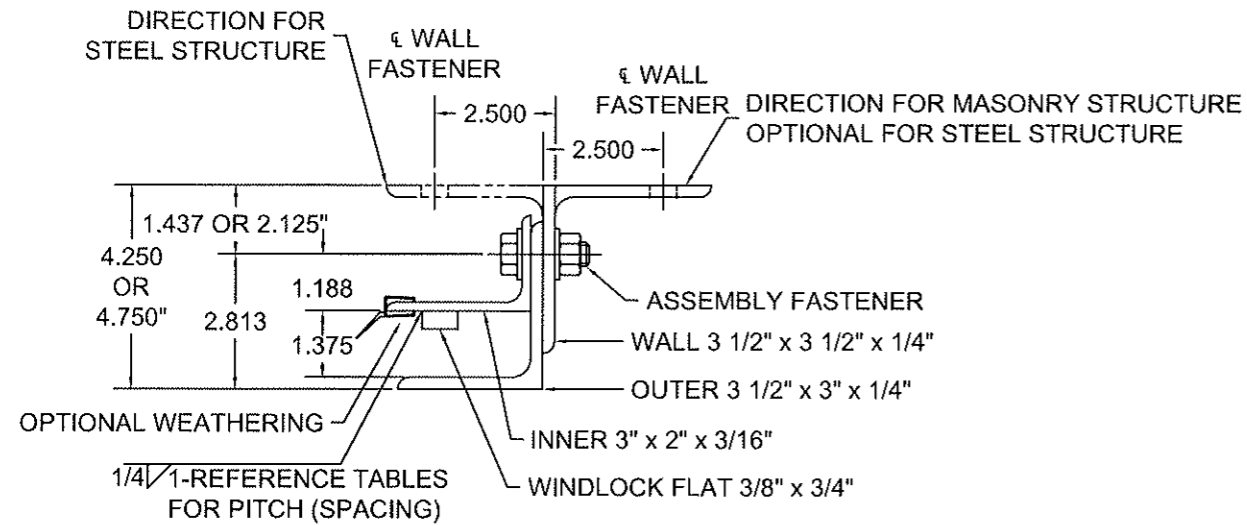
Unless otherwise specified,
dimensions are in inches &
tolerances are:

0.000 = +/- 0.031
FRACTIONAL = +/- 1/32
ANGLES = +/- 1/2 DEG

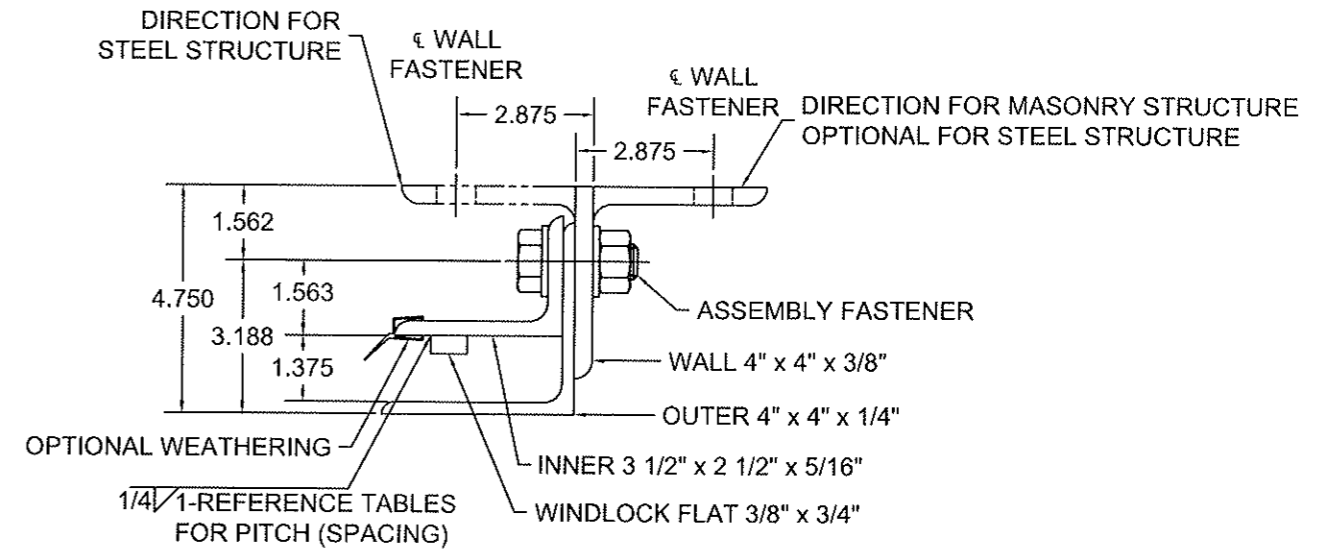
TITLE: WIND LOAD CONFIGURATION
NON-INSULATED ROLLING STEEL DOOR
CP0020 SLAT NON-IMPACT RATED

DRAWN BY: TJE
SIZE: B
SCALE: AS NOTED
SHEET: 7/21
DWG NO: ES-16-62-CIW

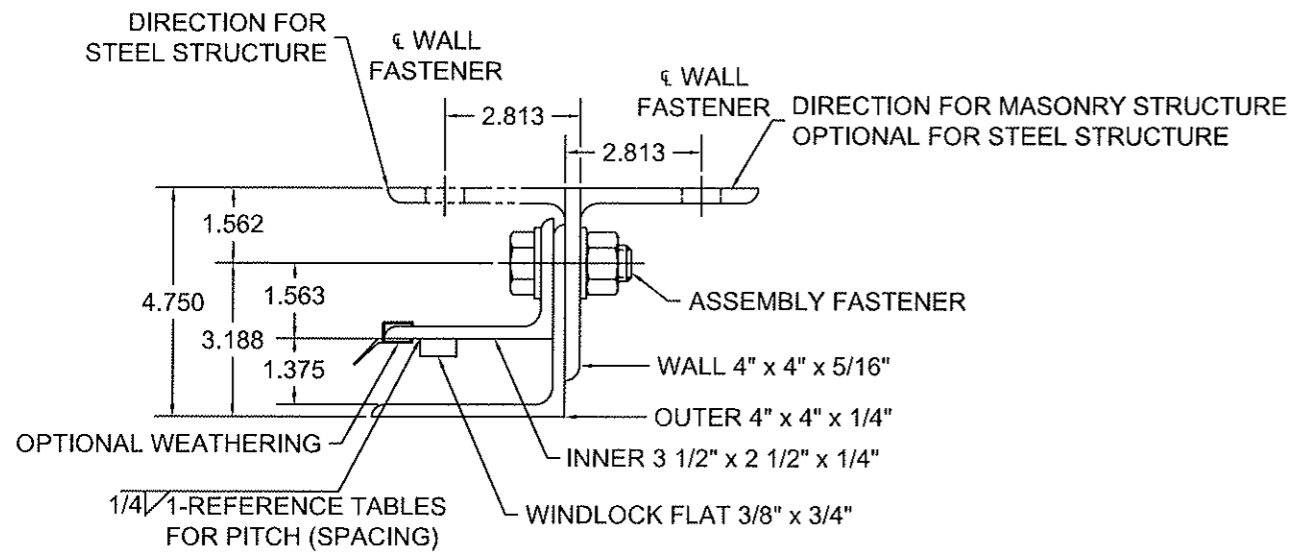
| L'TR | REVISION | DATE | BY | E.C.O. |
|------|----------------|----------|-----|--------|
| * | ORIGINAL ISSUE | 09/30/14 | TJE | 1615 |



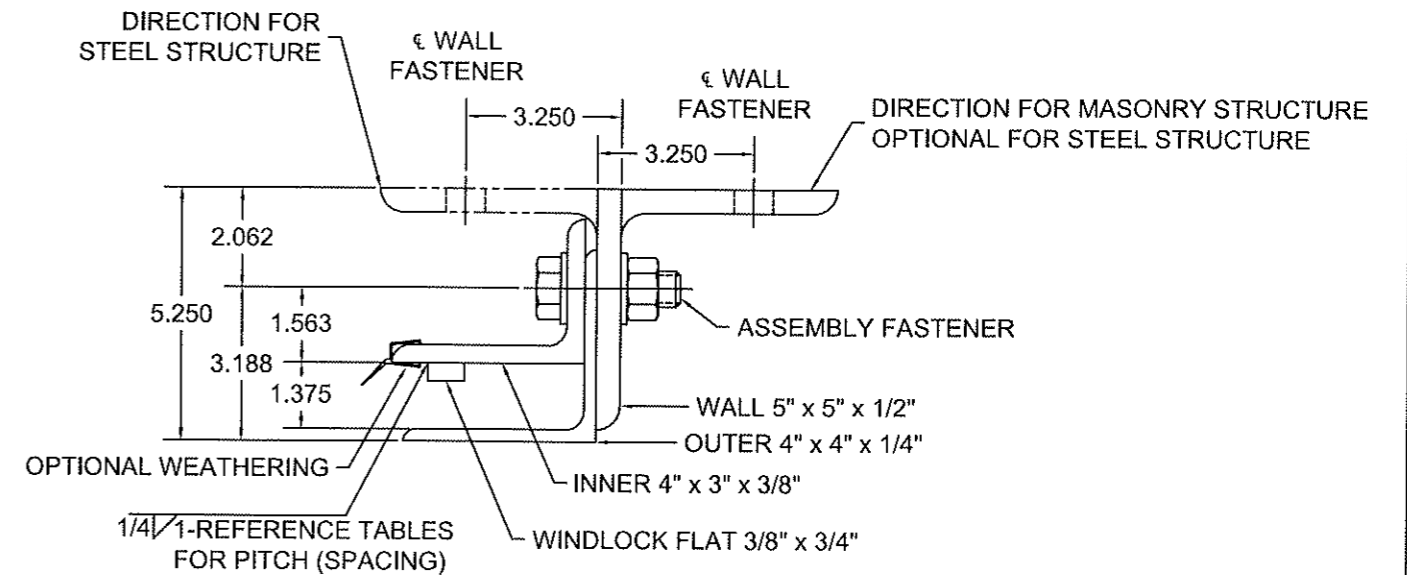
GUIDE ASSEMBLY TYPE 344
SCALE: 3" = 1'-0"



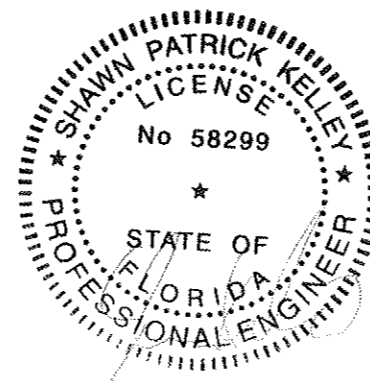
GUIDE ASSEMBLY TYPE 546
SCALE: 3" = 1'-0"



GUIDE ASSEMBLY TYPE 445
SCALE: 3" = 1'-0"



GUIDE ASSEMBLY TYPE 648
SCALE: 3" = 1'-0"



24 ELMWOOD AVE 1901 S. LITCHFIELD RD
MOUNTAINTOP, PA GOODYEAR, AZ
800 TULIP DRIVE
GASTONIA, NC
P: 800.233.8366
F: 800.526.0841
E: ADS@CORNELLIRON.COM

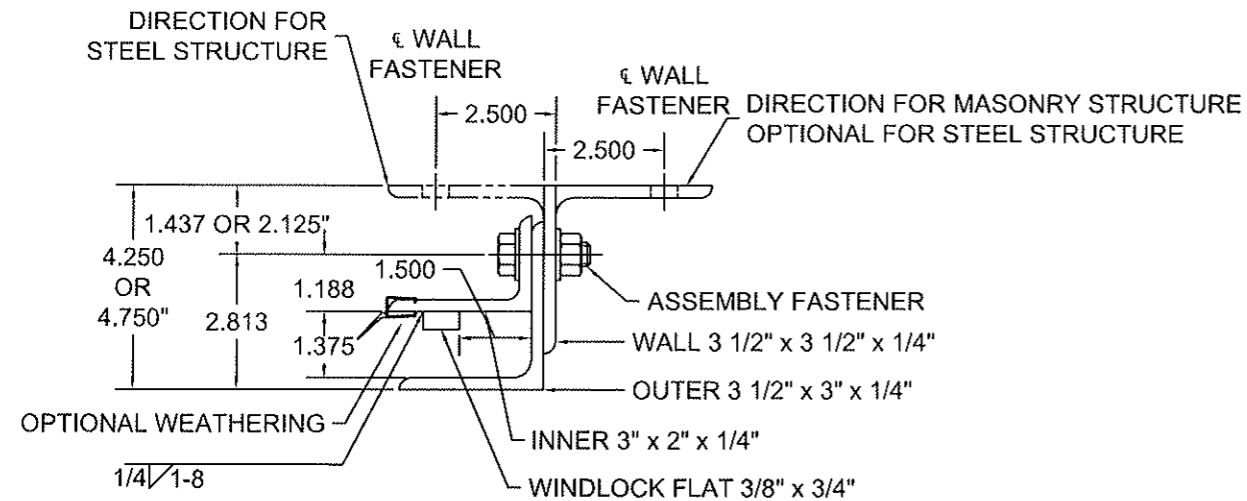
Unless otherwise specified, dimensions are in inches & tolerances are:

0.000 = +/- 0.031
FRACTIONAL = +/- 1/32
ANGLES = +/- 1/2 DEG

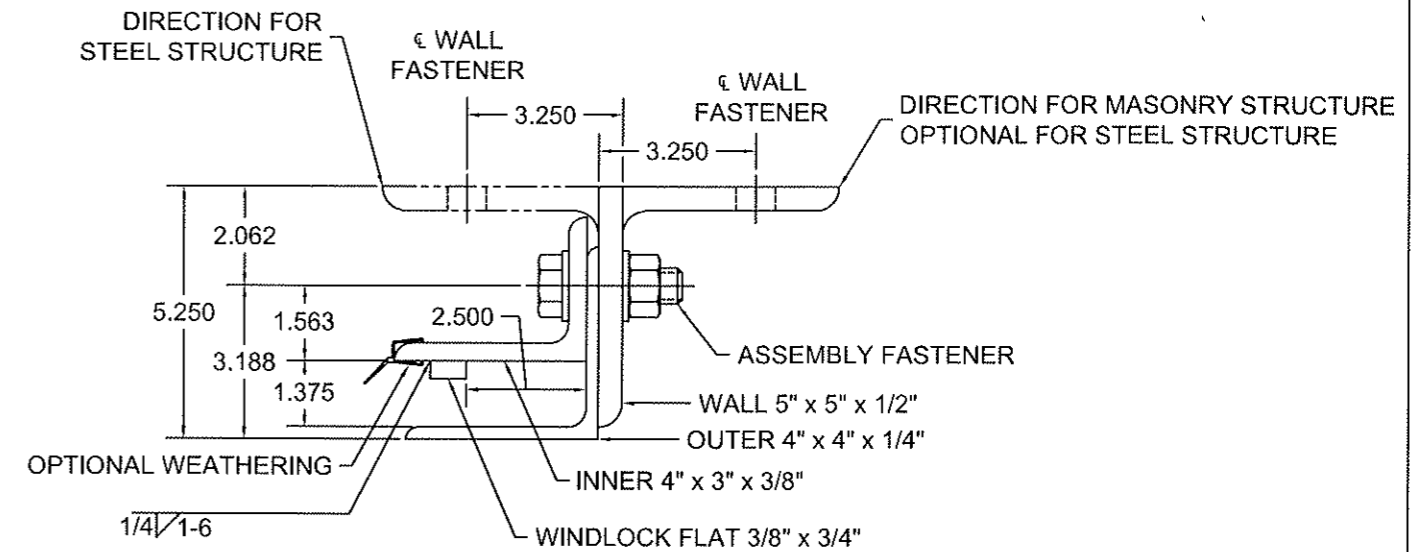
TITLE: WIND LOAD CONFIGURATION
NON-INSULATED ROLLING STEEL DOOR
CP0020 SLAT NON-IMPACT RATED

DRAWN BY: TJE
SIZE: B
SCALE: AS NOTED
SHEET: 8/21
DWG NO: ES-16-62-CIW

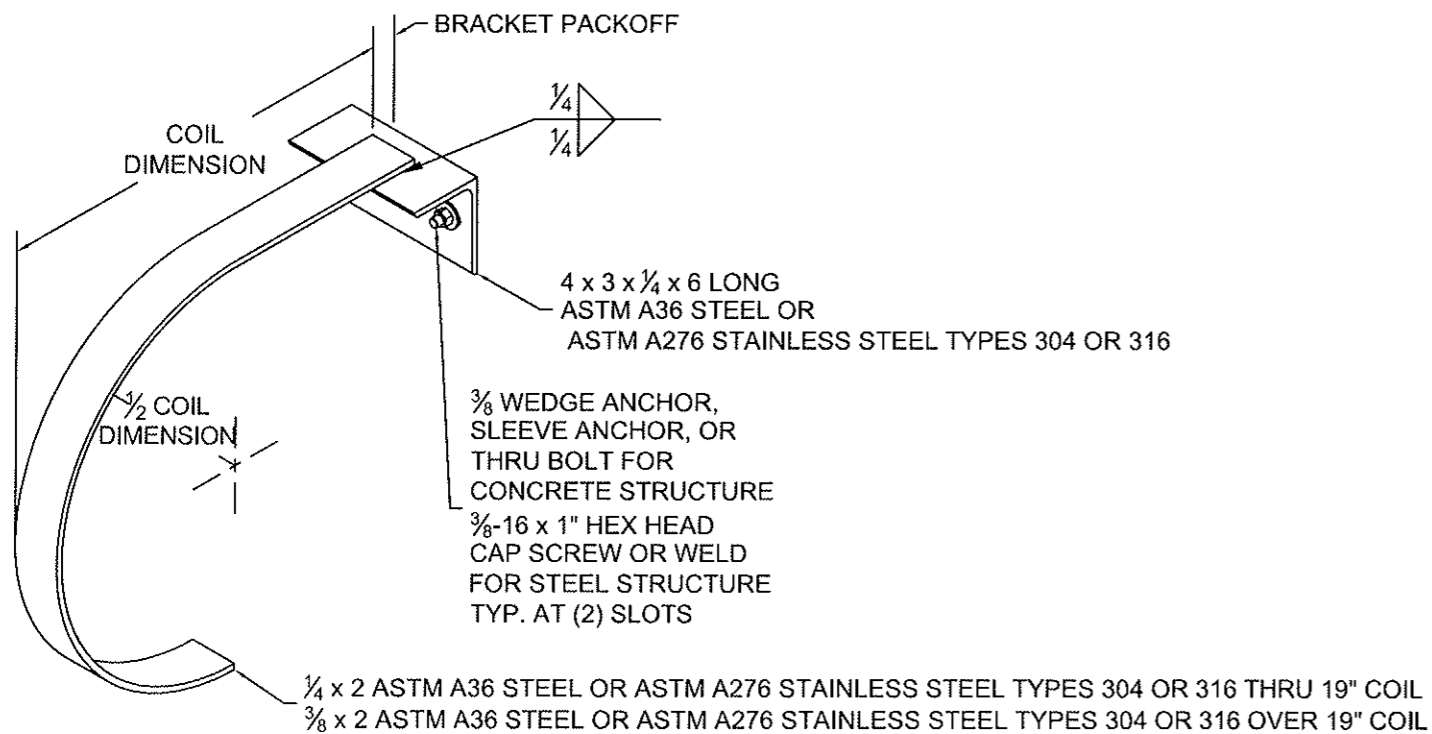
| L'TR | REVISION | DATE | BY | E.C.O. |
|------|----------------|----------|-----|--------|
| * | ORIGINAL ISSUE | 09/30/14 | TJE | 1615 |



GUIDE ASSEMBLY TYPE DC 1
SCALE: 3" = 1'-0"

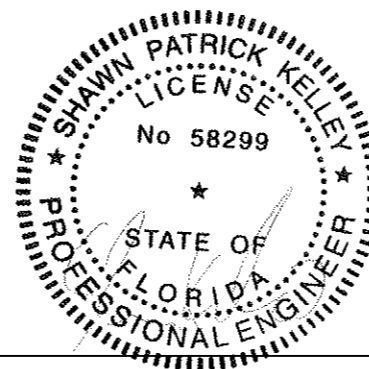


GUIDE ASSEMBLY TYPE DC 2 & DC 3
SCALE: 3" = 1'-0"



MID-HOOD SUPPORT
(WHEN REQUIRED)

"D" SHAPE DEPICTED, SQUARE STYLE ALSO AVAILABLE
SCALE: NTS



CORNELL
SAFE AND SECURE

24 ELMWOOD AVE 1901 S. LITCHFIELD RD
MOUNTAINTOP, PA GOODYEAR, AZ
800 TULIP DRIVE
GASTONIA, NC
P: 800.233.8366
F: 800.526.0841
E: ADS@CORNELLIRON.COM

Unless otherwise specified, dimensions are in inches & tolerances are:
0.000 = +/- 0.031
FRACTIONAL = +/- 1/32
ANGLES = +/- 1/2 DEG

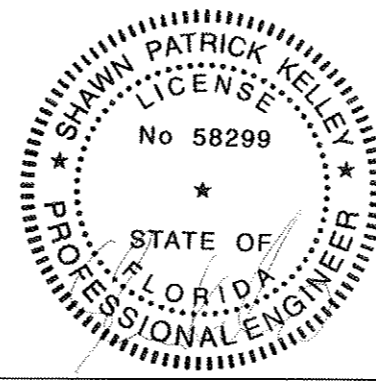
TITLE: WIND LOAD CONFIGURATION
NON-INSULATED ROLLING STEEL DOOR
CP0020 SLAT NON-IMPACT RATED

DRAWN BY: TJE
SIZE: B
SCALE: AS NOTED
SHEET: 9/21
DWG NO: ES-16-62-CIW

| | | | | |
|------|----------------|----------|-----|--------|
| L'TR | REVISION | DATE | BY | E.C.O. |
| * | ORIGINAL ISSUE | 09/30/14 | TJE | 1615 |

CP0020 - 0.0236 Minimum Thickness Galvanized or Stainless Steel - 65 PSF
Concrete Minimum 3,000 PSI Compressive Strength (Anchors are the same diameter as assembly fasteners)

| DBE Up To | Windlock Fast Location | Slip | Windlock | Guide Assembly | Windlock Weld Pitch | Assembly Fastener Diameter | Assembly Fastener Spacing | Concrete Minimum 3,000 PSI Compressive Strength (Anchors are the same diameter as assembly fasteners) | | | | | | | | | | | | Filled CMU | | | | | | | | | | | | Steel (Wall anchors are the same diameter as assembly fasteners) | | | | | | Superimposed Loads | | | |
|-----------|------------------------|-------|-----------------|----------------|---------------------|----------------------------|---------------------------|---|-------|----------------|------------|------------------|-------|----------------|------------|-------------------|-------|----------------|------------|-------------------|-------|----------------|------------|-------------------|-------|------------|-----------------------|-------|------------|--------------|--------|--|----------|--------|------------|----------|--------|--------------------|--------|--------|-------|
| | | | | | | | | Hilti Kwik Bolt 3 | | | | Simpson Wedge AN | | | | Red Head Tru Bolt | | | | Powers Wedge Bolt | | | | Hilti Kwik Bolt 3 | | | Simpson Strong Bolt Z | | | Through Bolt | | | Welded | | Tapped | | Vx (I) | Vy (I) | Vx (C) | Vy (C) | |
| | | | | | | | | Max O.C. | Embed | Min. Wall Thk. | Edge Dist. | Max O.C. | Embed | Min. Wall Thk. | Edge Dist. | Max O.C. | Embed | Min. Wall Thk. | Edge Dist. | Max O.C. | Embed | Min. Wall Thk. | Edge Dist. | Max O.C. | Embed | Edge Dist. | Max O.C. | Embed | Edge Dist. | Max O.C. | Embed | Edge Dist. | Max O.C. | Embed | Edge Dist. | Max O.C. | | | | | Embed |
| 0'-5" | N/A | N/A | N/A | 333* | N/A | 3/8 | 24 | 36 | 2 3/8 | 4 | 4 5/16 | 25 | 2 5/8 | 3 15/16 | 4 9/16 | 26 | 3 | 4 1/2 | 4 5/16 | 20 | 2 | 3 | 4 9/16 | 14 | 3/8 | 1 5/8 | 4 9/16 | 10 | 3/8 | 2 5/8 | 4 9/16 | 75 | 3/8 | 4 9/16 | 36 | 3/16 | 0 | 144 | 0 | 144 | |
| 4'-5" | N/A | N/A | N/A | 344* | N/A | 3/8 | 24 | 36 | 2 3/8 | 4 | 5 3/4 | 14 | 2 5/8 | 3 15/16 | 5 3/4 | 14 | 3 | 4 1/2 | 5 3/4 | 28 | 3 1/2 | 5 1/4 | 5 3/4 | 8 | 3/8 | 2 1/2 | 5 3/4 | 13 | 3/4 | 5 1/4 | 5 3/4 | 14 | 3/8 | 5 3/4 | 36 | 3/16 | 0 | 147 | 0 | 147 | |
| 14'-5" | 1 1/2 | 0.656 | CP1152 & CP1153 | DC1 | 8 | 1/2 | 12 | 8 | 3 1/2 | 5 1/4 | 5 3/4 | 8 | 4 1/2 | 6 3/4 | 5 3/4 | N/A | N/A | N/A | N/A | N/A | N/A | N/A | N/A | N/A | N/A | N/A | N/A | N/A | N/A | N/A | N/A | N/A | N/A | N/A | N/A | N/A | N/A | N/A | N/A | N/A | N/A |
| 15'-5" | 1 1/2 | 0.656 | CP1152 & CP1153 | 546 | 6 | 5/8 | 17 | N/A | N/A | N/A | N/A | 8 | 4 1/2 | 6 3/4 | 6 7/8 | N/A | N/A | N/A | N/A | N/A | N/A | N/A | N/A | N/A | N/A | N/A | N/A | N/A | N/A | N/A | N/A | N/A | N/A | N/A | N/A | N/A | N/A | N/A | N/A | N/A | N/A |
| 16'-5" | 1 5/8 | 0.781 | CP1152 & CP1153 | 546 | 6 | 5/8 | 16 | N/A | N/A | N/A | N/A | 8 | 4 1/2 | 6 3/4 | 6 7/8 | N/A | N/A | N/A | N/A | N/A | N/A | N/A | N/A | N/A | N/A | N/A | N/A | N/A | N/A | N/A | N/A | N/A | N/A | N/A | N/A | N/A | N/A | N/A | N/A | N/A | N/A |
| 17'-5" | 1 3/4 | 0.906 | CP1152 & CP1153 | 546 | 6 | 5/8 | 16 | N/A | N/A | N/A | N/A | 8 | 4 1/2 | 6 3/4 | 6 7/8 | N/A | N/A | N/A | N/A | N/A | N/A | N/A | N/A | N/A | N/A | N/A | N/A | N/A | N/A | N/A | N/A | N/A | N/A | N/A | N/A | N/A | N/A | N/A | N/A | N/A | N/A |
| 18'-5" | 2 | 1.156 | CP1152 & CP1153 | 546 | 6 | 5/8 | 16 | N/A | N/A | N/A | N/A | 8 | 4 1/2 | 6 3/4 | 6 7/8 | N/A | N/A | N/A | N/A | N/A | N/A | N/A | N/A | N/A | N/A | N/A | N/A | N/A | N/A | N/A | N/A | N/A | N/A | N/A | N/A | N/A | N/A | N/A | N/A | N/A | N/A |
| 19'-5" | 2 | 1.156 | CP1152 & CP1153 | 546 | 6 | 5/8 | 16 | N/A | N/A | N/A | N/A | 7 | 4 1/2 | 6 3/4 | 6 7/8 | N/A | N/A | N/A | N/A | N/A | N/A | N/A | N/A | N/A | N/A | N/A | N/A | N/A | N/A | N/A | N/A | N/A | N/A | N/A | N/A | N/A | N/A | N/A | N/A | N/A | N/A |
| 20'-5" | 2 3/8 | 1.531 | CP1152 & CP1153 | 648 | 6 | 3/4 | 18 | N/A | N/A | N/A | N/A | 9 | 5 | 7 1/2 | 7 1/2 | N/A | N/A | N/A | N/A | N/A | N/A | N/A | N/A | N/A | N/A | N/A | N/A | N/A | N/A | N/A | N/A | N/A | N/A | N/A | N/A | N/A | N/A | N/A | N/A | N/A | N/A |
| 21'-5" | 2 1/2 | 1.656 | CP1152 & CP1153 | 648 | 6 | 3/4 | 18 | N/A | N/A | N/A | N/A | 9 | 5 | 7 1/2 | 7 1/2 | N/A | N/A | N/A | N/A | N/A | N/A | N/A | N/A | N/A | N/A | N/A | N/A | N/A | N/A | N/A | N/A | N/A | N/A | N/A | N/A | N/A | N/A | N/A | N/A | N/A | N/A |
| 22'-5" | 2 1/2 | 1.656 | CP1152 & CP1153 | 648 | 6 | 3/4 | 18 | N/A | N/A | N/A | N/A | 8 | 5 | 7 1/2 | 7 1/2 | N/A | N/A | N/A | N/A | N/A | N/A | N/A | N/A | N/A | N/A | N/A | N/A | N/A | N/A | N/A | N/A | N/A | N/A | N/A | N/A | N/A | N/A | N/A | N/A | N/A | N/A |
| 23'-5" | 2 1/2 | 1.656 | CP1152 & CP1153 | 648 | 6 | 3/4 | 18 | N/A | N/A | N/A | N/A | 8 | 5 | 7 1/2 | 7 1/2 | N/A | N/A | N/A | N/A | N/A | N/A | N/A | N/A | N/A | N/A | N/A | N/A | N/A | N/A | N/A | N/A | N/A | N/A | N/A | N/A | N/A | N/A | N/A | N/A | N/A | |
| 24'-5" | 2 1/2 | 1.656 | CP1152 & CP1153 | 648 | 6 | 3/4 | 17 | N/A | N/A | N/A | N/A | 7 | 5 | 7 1/2 | 7 1/2 | N/A | N/A | N/A | N/A | N/A | N/A | N/A | N/A | N/A | N/A | N/A | N/A | N/A | N/A | N/A | N/A | N/A | N/A | N/A | N/A | N/A | N/A | N/A | N/A | N/A | |



24 ELMWOOD AVE 1901 S. LITCHFIELD RD
MOUNTAINTOP, PA GOODYEAR, AZ
800 TULIP DRIVE
GASTONIA, NC
P: 800.233.8366
F: 800.526.0841
E: ADS@CORNELLIRON.COM

Unless otherwise specified, dimensions are in inches & tolerances are:

0.000 = +/- 0.031
FRACTIONAL = +/- 1/32
ANGLES = +/- 1/2 DEG

| | | | | |
|---|------------------|------------|--------------------|-----------------|
| TITLE: WIND LOAD CONFIGURATION NON-INSULATED ROLLING STEEL DOOR CP0020 SLAT NON-IMPACT RATED | DRAWN BY: TJE | SIZE: B | SCALE: AS NOTED | SHEET: 14/21 |
| DWG NO: ES-16-62-CIW | | | | |

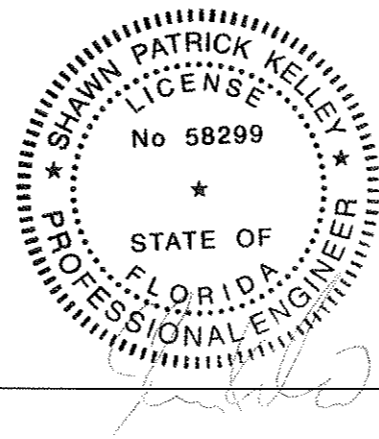
| | | | | |
|------|----------------|----------|-----|--------|
| L/TR | REVISION | DATE | BY | E.C.O. |
| * | ORIGINAL ISSUE | 09/30/14 | TJE | 1615 |

| DRG Up To | Windlock Flat Location | Slp | Windlock | Guide Assembly | Windlock Weld Pitch | Assembly Fastener Diameter | Assembly Fastener Spacing | Concrete Minimum 3,000 PSI Compressive Strength (Anchors are the same diameter as assembly fasteners) | | | | | | | | | | | | Filled CMU | | | | | | Steel (Wall anchors are the same diameter as assembly fasteners) | | | | | | Superimposed Loads | | | | | | | | |
|-----------|------------------------|-----|----------|----------------|---------------------|----------------------------|---------------------------|---|-------|------------------|------------|-------------------|-------|------------------|------------|-------------------|-------|------------------|------------|-------------------|-------|------------------|------------|-------------------|------|--|-----------------------|----------|------|--------------|------------|--------------------|--------|---------------|--------------|-----------|----------|----------------|--------|--------|
| | | | | | | | | Hilti Kwik Bolt 3 | | | | Simpson Wedge All | | | | Red Head Tru-Bolt | | | | Powers Wedge-Bolt | | | | Hilti Kwik Bolt 3 | | | Simpson Strong-Bolt 2 | | | Through Bolt | | | Welded | | Through Bolt | | Tapped | | | |
| | | | | | | | | Max O.C. | Embed | Min. Wall Thick. | Edge Dist. | Max O.C. | Embed | Min. Wall Thick. | Edge Dist. | Max O.C. | Embed | Min. Wall Thick. | Edge Dist. | Max O.C. | Embed | Min. Wall Thick. | Edge Dist. | Max O.C. | Dia. | Embed | Edge Dist. | Max O.C. | Dia. | Embed | Edge Dist. | Max O.C. | Dia. | Edge Distance | Max O.C. | Slot Size | Max O.C. | Min. Thickness | Vx (+) | Vy (+) |
| 4'-5" | N/A | N/A | N/A | 333* | N/A | 3/8 | 24 | 36 | 2 3/8 | 4 | 4 9/16 | 23 | 2 5/8 | 3 15/16 | 4 9/16 | 26 | 3 | 4 1/2 | 4 9/16 | 20 | 2 | 3 | 4 9/16 | 14 | 3/8 | 2 1/2 | 4 9/16 | 10 | 3/8 | 2 5/8 | 4 9/16 | 25 | 3/8 | 4 9/16 | 36 | 3/16 | 0 | 166 | 0 | 144 |

| DRG Up To | Windlock Flat Location | Slp | Windlock | Guide Assembly | Windlock Weld Pitch | Assembly Fastener Diameter | Assembly Fastener Spacing | Concrete Minimum 3,000 PSI Compressive Strength (Anchors are the same diameter as assembly fasteners) | | | | | | | | | | | | Filled CMU | | | | | | Steel (Wall anchors are the same diameter as assembly fasteners) | | | | | | Superimposed Loads | | | | | | | | |
|-----------|------------------------|-----|----------|----------------|---------------------|----------------------------|---------------------------|---|-------|------------------|------------|-------------------|-------|------------------|------------|-------------------|-------|------------------|------------|-------------------|-------|------------------|------------|-------------------|------|--|-----------------------|----------|------|--------------|------------|--------------------|--------|---------------|--------------|-----------|----------|----------------|--------|--------|
| | | | | | | | | Hilti Kwik Bolt 3 | | | | Simpson Wedge All | | | | Red Head Tru-Bolt | | | | Powers Wedge-Bolt | | | | Hilti Kwik Bolt 3 | | | Simpson Strong-Bolt 2 | | | Through Bolt | | | Welded | | Through Bolt | | Tapped | | | |
| | | | | | | | | Max O.C. | Embed | Min. Wall Thick. | Edge Dist. | Max O.C. | Embed | Min. Wall Thick. | Edge Dist. | Max O.C. | Embed | Min. Wall Thick. | Edge Dist. | Max O.C. | Embed | Min. Wall Thick. | Edge Dist. | Max O.C. | Dia. | Embed | Edge Dist. | Max O.C. | Dia. | Embed | Edge Dist. | Max O.C. | Dia. | Edge Distance | Max O.C. | Slot Size | Max O.C. | Min. Thickness | Vx (+) | Vy (+) |
| 4'-5" | N/A | N/A | N/A | 333* | N/A | 3/8 | 24 | 36 | 2 3/8 | 4 | 4 9/16 | 23 | 2 5/8 | 3 15/16 | 4 9/16 | 24 | 3 | 4 1/2 | 4 9/16 | 18 | 2 | 3 | 4 9/16 | 13 | 3/8 | 2 1/2 | 4 9/16 | 9 | 3/8 | 2 5/8 | 4 9/16 | 23 | 3/8 | 4 9/16 | 36 | 3/16 | 0 | 157 | 0 | 155 |

| DRG Up To | Windlock Flat Location | Slp | Windlock | Guide Assembly | Windlock Weld Pitch | Assembly Fastener Diameter | Assembly Fastener Spacing | Concrete Minimum 3,000 PSI Compressive Strength (Anchors are the same diameter as assembly fasteners) | | | | | | | | | | | | Filled CMU | | | | | | Steel (Wall anchors are the same diameter as assembly fasteners) | | | | | | Superimposed Loads | | | | | | | | |
|-----------|------------------------|-----|----------|----------------|---------------------|----------------------------|---------------------------|---|-------|------------------|------------|-------------------|-------|------------------|------------|-------------------|-------|------------------|------------|-------------------|-------|------------------|------------|-------------------|------|--|-----------------------|----------|------|--------------|------------|--------------------|--------|---------------|--------------|-----------|----------|----------------|--------|--------|
| | | | | | | | | Hilti Kwik Bolt 3 | | | | Simpson Wedge All | | | | Red Head Tru-Bolt | | | | Powers Wedge-Bolt | | | | Hilti Kwik Bolt 3 | | | Simpson Strong-Bolt 2 | | | Through Bolt | | | Welded | | Through Bolt | | Tapped | | | |
| | | | | | | | | Max O.C. | Embed | Min. Wall Thick. | Edge Dist. | Max O.C. | Embed | Min. Wall Thick. | Edge Dist. | Max O.C. | Embed | Min. Wall Thick. | Edge Dist. | Max O.C. | Embed | Min. Wall Thick. | Edge Dist. | Max O.C. | Dia. | Embed | Edge Dist. | Max O.C. | Dia. | Embed | Edge Dist. | Max O.C. | Dia. | Edge Distance | Max O.C. | Slot Size | Max O.C. | Min. Thickness | Vx (+) | Vy (+) |
| 4'-5" | N/A | N/A | N/A | 333* | N/A | 3/8 | 24 | 36 | 2 3/8 | 4 | 4 9/16 | 20 | 2 5/8 | 3 15/16 | 4 9/16 | 21 | 3 | 4 1/2 | 4 9/16 | 16 | 2 | 3 | 4 9/16 | 11 | 3/8 | 2 1/2 | 4 9/16 | 8 | 3/8 | 2 5/8 | 4 9/16 | 20 | 3/8 | 4 9/16 | 36 | 3/16 | 0 | 160 | 0 | 177 |

| DRG Up To | Windlock Flat Location | Slp | Windlock | Guide Assembly | Windlock Weld Pitch | Assembly Fastener Diameter | Assembly Fastener Spacing | Concrete Minimum 3,000 PSI Compressive Strength (Anchors are the same diameter as assembly fasteners) | | | | | | | | | | | | Filled CMU | | | | | | Steel (Wall anchors are the same diameter as assembly fasteners) | | | | | | Superimposed Loads | | | | | | | | |
|-----------|------------------------|-----|----------|----------------|---------------------|----------------------------|---------------------------|---|-------|------------------|------------|-------------------|-------|------------------|------------|-------------------|-------|------------------|------------|-------------------|-------|------------------|------------|-------------------|------|--|-----------------------|----------|------|--------------|------------|--------------------|--------|---------------|--------------|-----------|----------|----------------|--------|--------|
| | | | | | | | | Hilti Kwik Bolt 3 | | | | Simpson Wedge All | | | | Red Head Tru-Bolt | | | | Powers Wedge-Bolt | | | | Hilti Kwik Bolt 3 | | | Simpson Strong-Bolt 2 | | | Through Bolt | | | Welded | | Through Bolt | | Tapped | | | |
| | | | | | | | | Max O.C. | Embed | Min. Wall Thick. | Edge Dist. | Max O.C. | Embed | Min. Wall Thick. | Edge Dist. | Max O.C. | Embed | Min. Wall Thick. | Edge Dist. | Max O.C. | Embed | Min. Wall Thick. | Edge Dist. | Max O.C. | Dia. | Embed | Edge Dist. | Max O.C. | Dia. | Embed | Edge Dist. | Max O.C. | Dia. | Edge Distance | Max O.C. | Slot Size | Max O.C. | Min. Thickness | Vx (+) | Vy (+) |
| 4'-5" | N/A | N/A | N/A | CP0417 | 333* | 3/8 | 24 | 36 | 2 3/8 | 4 | 4 9/16 | 18 | 2 5/8 | 3 15/16 | 4 9/16 | 18 | 3 | 4 1/2 | 4 9/16 | 14 | 2 | 3 | 4 9/16 | 10 | 3/8 | 2 1/2 | 4 9/16 | 18 | 3/8 | 2 5/8 | 4 9/16 | 18 | 3/8 | 4 9/16 | 36 | 3/16 | 0 | 202 | 0 | 199 |



24 ELMWOOD AVE 1901 S. LITCHFIELD RD
MOUNTAINTOP, PA GOODYEAR, AZ
800 TULIP DRIVE
GASTONIA, NC
P: 800.233.8366
F: 800.526.0841
E: ADS@CORNELLIRON.COM

Unless otherwise specified, dimensions are in inches & tolerances are:
0.000 = +/- 0.031
FRACTIONAL = +/- 1/32
ANGLES = +/- 1/2 DEG

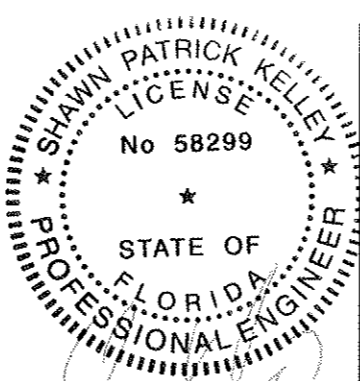
TITLE: WIND LOAD CONFIGURATION
NON-INSULATED ROLLING STEEL DOOR
CP0020 SLAT NON-IMPACT RATED

DRAWN BY: TJE
SIZE: B
SCALE: AS NOTED
SHEET: 17/21
DWG NO: ES-16-62-CIW

| CP0020 - 0.0405 Minimum Thickness Galvanized or Stainless Steel- 40 PSF | | | | | | | | | | | | | | | | | | | | | | | | | | | | | | | | | | | | | | | | | | | | | | | | | | | | | |
|---|------------------------|-----|----------|----------------|---------------------|----------------------------|---------------------------|---|-------|------------------|-----------|-------------------|-------|------------------|-----------|-------------------|-------|------------------|-----------|-------------------|-------|------------------|-----------|--|-------|------------------|-----------|-----------------------|--------------------|------------------|-----------|----------|-------|------------------|-----------|----------|----------------|----------|----------------|--------|--------|-------|---|--------|----|-----|---|-----|--------|---|-----|---|-----|
| DBG Up To | Windlock Flat Location | Slp | Windlock | Guide Assembly | Windlock Weld Pitch | Assembly Fastener Diameter | Assembly Fastener Spacing | Concrete Minimum 3,000 PSI Compressive Strength (Anchors are the same diameter as assembly fasteners) | | | | | | | | | | | | | | | | Steel (Weld anchors are the same diameter as assembly fasteners) | | | | | Superimposed Loads | | | | | | | | | | | | | | | | | | | | | | | | |
| | | | | | | | | Hilti Kwik Bolt 3 | | | | Simpson Wedge All | | | | Red Head Tru-Bolt | | | | Powers Wedge-Bolt | | | | Hilti Kwik Bolt 3 | | | | Simpson Strong-Bolt 2 | | Through Bolt | | Welded | | | Tapped | | | | | | | | | | | | | | | | | | |
| | | | | | | | | Max O.C. | Embed | Min. Wall Thick. | Edge Dist | Max O.C. | Embed | Min. Wall Thick. | Edge Dist | Max O.C. | Embed | Min. Wall Thick. | Edge Dist | Max O.C. | Embed | Min. Wall Thick. | Edge Dist | Max O.C. | Embed | Min. Wall Thick. | Edge Dist | Max O.C. | Embed | Min. Wall Thick. | Edge Dist | Max O.C. | Embed | Min. Wall Thick. | Edge Dist | Max O.C. | Min. Thickness | Max O.C. | Min. Thickness | Vx (+) | Vy (-) | | | | | | | | | | | | |
| 7'-5" | N/A | N/A | N/A | 333* | N/A | 3/8 | 24 | 36 | 2 3/8 | 4 | 4 9/16 | 24 | 2 5/8 | 3 15/16 | 4 9/16 | 25 | 3 | 4 1/2 | 4 9/16 | 19 | 2 | 3 | 4 9/16 | 14 | 3/8 | 2 1/2 | 4 9/16 | 9 | 3/8 | 2 5/8 | 4 9/16 | 24 | 3/8 | 4 9/16 | 36 | 3/8 | 2 | 5 | 4 9/16 | 36 | 3/8 | 2 | 5 | 4 9/16 | 0 | 150 | 0 | 149 | | | | | |
| 7'-5" | N/A | N/A | N/A | 344* | N/A | 3/8 | 24 | 36 | 2 3/8 | 4 | 5 3/4 | 24 | 2 5/8 | 3 15/16 | 5 3/4 | 14 | 3 | 4 1/2 | 5 3/4 | 28 | 3 1/2 | 5 1/4 | 5 3/4 | 8 | 3/8 | 2 1/2 | 5 3/4 | 18 | 3/8 | 3 1/4 | 5 3/4 | 14 | 3/8 | 5 3/4 | 36 | 1/2 | 3 5/8 | 6 | 5 3/4 | 36 | 1/2 | 2 1/2 | 4 | 5 3/4 | 36 | 3/8 | 2 | 5 | 4 9/16 | 0 | 150 | 0 | 149 |

| CP0020 - 0.0405 Minimum Thickness Galvanized or Stainless Steel- 50 PSF | | | | | | | | | | | | | | | | | | | | | | | | | | | | | | | | | | | | | | | | | | | | | | | | | | | | |
|---|------------------------|-----|----------|----------------|---------------------|----------------------------|---------------------------|---|-------|------------------|-----------|-------------------|-------|------------------|-----------|-------------------|-------|------------------|-----------|-------------------|-------|------------------|-----------|--|-------|------------------|-----------|-----------------------|--------------------|------------------|-----------|----------|-------|------------------|-----------|----------|----------------|----------|----------------|--------|--------|---|-------|--------|-----|-----|---|--------|---|-----|---|-----|
| DBG Up To | Windlock Flat Location | Slp | Windlock | Guide Assembly | Windlock Weld Pitch | Assembly Fastener Diameter | Assembly Fastener Spacing | Concrete Minimum 3,000 PSI Compressive Strength (Anchors are the same diameter as assembly fasteners) | | | | | | | | | | | | | | | | Steel (Weld anchors are the same diameter as assembly fasteners) | | | | | Superimposed Loads | | | | | | | | | | | | | | | | | | | | | | | |
| | | | | | | | | Hilti Kwik Bolt 3 | | | | Simpson Wedge All | | | | Red Head Tru-Bolt | | | | Powers Wedge-Bolt | | | | Hilti Kwik Bolt 3 | | | | Simpson Strong-Bolt 2 | | Through Bolt | | Welded | | | Tapped | | | | | | | | | | | | | | | | | |
| | | | | | | | | Max O.C. | Embed | Min. Wall Thick. | Edge Dist | Max O.C. | Embed | Min. Wall Thick. | Edge Dist | Max O.C. | Embed | Min. Wall Thick. | Edge Dist | Max O.C. | Embed | Min. Wall Thick. | Edge Dist | Max O.C. | Embed | Min. Wall Thick. | Edge Dist | Max O.C. | Embed | Min. Wall Thick. | Edge Dist | Max O.C. | Embed | Min. Wall Thick. | Edge Dist | Max O.C. | Min. Thickness | Max O.C. | Min. Thickness | Vx (+) | Vy (-) | | | | | | | | | | | |
| 6'-5" | N/A | N/A | N/A | 333* | N/A | 3/8 | 24 | 36 | 2 3/8 | 4 | 4 9/16 | 22 | 2 5/8 | 3 15/16 | 4 9/16 | 23 | 3 | 4 1/2 | 4 9/16 | 18 | 2 | 3 | 4 9/16 | 12 | 3/8 | 2 1/2 | 4 9/16 | 9 | 3/8 | 2 5/8 | 4 9/16 | 22 | 3/8 | 4 9/16 | 36 | 3/8 | 2 | 5 | 4 9/16 | 36 | 3/8 | 2 | 5 | 4 9/16 | 0 | 167 | 0 | 161 | | | | |
| 6'-5" | N/A | N/A | N/A | 344* | N/A | 3/8 | 24 | 36 | 2 3/8 | 4 | 5 3/4 | 12 | 2 5/8 | 3 15/16 | 5 3/4 | 13 | 3 | 4 1/2 | 5 3/4 | 25 | 3 1/2 | 5 1/4 | 5 3/4 | 8 | 1/2 | 3 1/2 | 5 3/4 | 12 | 3/8 | 3 1/4 | 5 3/4 | 12 | 3/8 | 5 3/4 | 36 | 1/2 | 3 1/4 | 5 3/4 | 36 | 1/2 | 2 1/2 | 4 | 5 3/4 | 36 | 3/8 | 2 | 5 | 4 9/16 | 0 | 168 | 0 | 161 |

| CP0020 - 0.0405 Minimum Thickness Galvanized or Stainless Steel- 60 PSF | | | | | | | | | | | | | | | | | | | | | | | | | | | | | | | | | | | | | | | | | | | | | | | | | | | | |
|---|------------------------|-----|----------|----------------|---------------------|----------------------------|---------------------------|---|-------|------------------|-----------|-------------------|-------|------------------|-----------|-------------------|-------|------------------|-----------|-------------------|-------|------------------|-----------|--|-------|------------------|-----------|-----------------------|--------------------|------------------|-----------|----------|-------|------------------|-----------|----------|----------------|----------|----------------|--------|--------|---|-------|--------|-----|-----|---|--------|---|-----|---|-----|
| DBG Up To | Windlock Flat Location | Slp | Windlock | Guide Assembly | Windlock Weld Pitch | Assembly Fastener Diameter | Assembly Fastener Spacing | Concrete Minimum 3,000 PSI Compressive Strength (Anchors are the same diameter as assembly fasteners) | | | | | | | | | | | | | | | | Steel (Weld anchors are the same diameter as assembly fasteners) | | | | | Superimposed Loads | | | | | | | | | | | | | | | | | | | | | | | |
| | | | | | | | | Hilti Kwik Bolt 3 | | | | Simpson Wedge All | | | | Red Head Tru-Bolt | | | | Powers Wedge-Bolt | | | | Hilti Kwik Bolt 3 | | | | Simpson Strong-Bolt 2 | | Through Bolt | | Welded | | | Tapped | | | | | | | | | | | | | | | | | |
| | | | | | | | | Max O.C. | Embed | Min. Wall Thick. | Edge Dist | Max O.C. | Embed | Min. Wall Thick. | Edge Dist | Max O.C. | Embed | Min. Wall Thick. | Edge Dist | Max O.C. | Embed | Min. Wall Thick. | Edge Dist | Max O.C. | Embed | Min. Wall Thick. | Edge Dist | Max O.C. | Embed | Min. Wall Thick. | Edge Dist | Max O.C. | Embed | Min. Wall Thick. | Edge Dist | Max O.C. | Min. Thickness | Max O.C. | Min. Thickness | Vx (+) | Vy (-) | | | | | | | | | | | |
| 6'-5" | N/A | N/A | N/A | 333* | N/A | 3/8 | 24 | 36 | 2 3/8 | 4 | 4 9/16 | 18 | 2 5/8 | 3 15/16 | 4 9/16 | 19 | 3 | 4 1/2 | 4 9/16 | 15 | 2 | 3 | 4 9/16 | 10 | 3/8 | 2 1/2 | 4 9/16 | 9 | 1/2 | 3 1/2 | 4 9/16 | 18 | 3/8 | 4 9/16 | 36 | 3/8 | 2 | 5 | 4 9/16 | 36 | 3/8 | 2 | 5 | 4 9/16 | 0 | 195 | 0 | 193 | | | | |
| 6'-5" | N/A | N/A | N/A | 344* | N/A | 3/8 | 24 | 36 | 2 3/8 | 4 | 5 3/4 | 10 | 2 5/8 | 3 15/16 | 5 3/4 | 11 | 3 | 4 1/2 | 5 3/4 | 21 | 3 1/2 | 5 1/4 | 5 3/4 | 8 | 3/4 | 3 1/4 | 5 3/4 | 10 | 3/4 | 3 1/4 | 5 3/4 | 10 | 3/4 | 5 3/4 | 36 | 1/2 | 3 1/4 | 5 3/4 | 36 | 1/2 | 2 1/2 | 4 | 5 3/4 | 36 | 3/8 | 2 | 5 | 4 9/16 | 0 | 195 | 0 | 193 |



24 ELMWOOD AVE 1901 S. LITCHFIELD RD
MOUNTAINTOP, PA GOODYEAR, AZ
800 TULIP DRIVE
GASTONIA, NC
P: 800.233.8366
F: 800.526.0841
E: ADS@CORNELLIRON.COM

Unless otherwise specified, dimensions are in inches & tolerances are:
0.000 = +/- 0.031
FRACTIONAL = +/- 1/32
ANGLES = +/- 1/2 DEG

| | | | | |
|---|------------------|------------|--------------------|-----------------|
| TITLE: WIND LOAD CONFIGURATION NON-INSULATED ROLLING STEEL DOOR CP0020 SLAT NON-IMPACT RATED | DRAWN BY: TJE | SIZE: B | SCALE: AS NOTED | SHEET: 19/21 |
| DWG NO: ES-16-62-CIW | | | | |

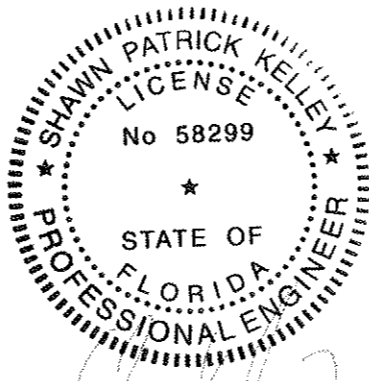
| | | | | |
|------|----------------|----------|-----|--------|
| L'TR | REVISION | DATE | BY | E.C.O. |
| * | ORIGINAL ISSUE | 09/30/14 | TJE | 1615 |

| CP0020 - 0.0405 Minimum Thickness Galvanized or Stainless Steel - 65 PSF | | | | | | | | | | | | | | | | | | | | | | | | | | | | | | | | | | | | | | | | | | | | | |
|--|------------------------|------|----------|----------------|---------------------|----------------------------|---------------------------|---|-------|-------------------|--------|-------------------|-------|-------------------|--------|--|---|-----------------------|--------|--------------------|---|--------|--------|--------|-----|----------------|--------|--------|-----|--------|--------|----|-----|--------|----|------------|----|----|------|---|-----|---|-----|--|--|
| DBG Up To | Windlock Flat Location | Slip | Windlock | Guide Assembly | Windlock Weld Pitch | Assembly Fastener Diameter | Assembly Fastener Spacing | Concrete Minimum 3,000 PSI Compressive Strength (Anchors are the same diameter as assembly fasteners) | | | | Fillet CMU | | | | Steel (Wall anchors are the same diameter as assembly fasteners) | | | | Superimposed Loads | | | | | | | | | | | | | | | | | | | | | | | | | |
| | | | | | | | | Hilti Kwik Bolt 3 | | Simpson Wedge All | | Red Head Tri-Bolt | | Powers Wedge Bolt | | Hilti Kwik Bolt 3 | | Simpson Strong-Bolt 2 | | Through Bolt | | Welded | | Tapped | | Min. Thickness | | Vx (+) | | Vy (+) | | | | | | | | | | | | | | | |
| 5'-5" | N/A | N/A | N/A | 333* | N/A | 3/8 | 24 | 36 | 2 3/8 | 4 | 4 9/16 | 10 | 2 5/8 | 3 15/16 | 4 9/16 | 12 | 3 | 4 1/2 | 4 9/16 | 16 | 2 | 3 | 4 9/16 | 11 | 3/8 | 2 1/2 | 4 9/16 | 8 | 3/8 | 2 5/8 | 4 9/16 | 20 | 3/8 | 4 9/16 | 36 | 7/16 x 5/8 | 36 | 36 | 3/16 | 0 | 179 | 0 | 177 | | |

| CP0020 - 0.0405 Minimum Thickness Galvanized or Stainless Steel - 70 PSF | | | | | | | | | | | | | | | | | | | | | | | | | | | | | | | | | | | | | | | | | |
|--|------------------------|------|----------|----------------|---------------------|----------------------------|---------------------------|---|-------|-------------------|--------|-------------------|-------|-------------------|--------|--|---|-----------------------|--------|--------------------|---|--------|--------|--------|-----|----------------|--------|--------|-----|--------|----|------------|----|----|------|---|-----|---|-----|--|--|
| DBG Up To | Windlock Flat Location | Slip | Windlock | Guide Assembly | Windlock Weld Pitch | Assembly Fastener Diameter | Assembly Fastener Spacing | Concrete Minimum 3,000 PSI Compressive Strength (Anchors are the same diameter as assembly fasteners) | | | | Fillet CMU | | | | Steel (Wall anchors are the same diameter as assembly fasteners) | | | | Superimposed Loads | | | | | | | | | | | | | | | | | | | | | |
| | | | | | | | | Hilti Kwik Bolt 3 | | Simpson Wedge All | | Red Head Tri-Bolt | | Powers Wedge Bolt | | Hilti Kwik Bolt 3 | | Simpson Strong-Bolt 2 | | Through Bolt | | Welded | | Tapped | | Min. Thickness | | Vx (+) | | Vy (+) | | | | | | | | | | | |
| 5'-5" | N/A | N/A | N/A | 333* | N/A | 3/8 | 24 | 36 | 2 3/8 | 4 | 4 9/16 | 10 | 2 5/8 | 3 15/16 | 4 9/16 | 12 | 3 | 4 1/2 | 4 9/16 | 15 | 2 | 3 | 4 9/16 | 10 | 3/8 | 2 1/2 | 4 9/16 | 10 | 3/8 | 4 9/16 | 36 | 7/16 x 5/8 | 36 | 36 | 3/16 | 0 | 162 | 0 | 160 | | |

| CP0020 - 0.0405 Minimum Thickness Galvanized or Stainless Steel - 80 PSF | | | | | | | | | | | | | | | | | | | | | | | | | | | | | | | | | | | | | | | | | | | | | |
|--|------------------------|------|----------|----------------|---------------------|----------------------------|---------------------------|---|-------|-------------------|--------|-------------------|-------|-------------------|--------|--|---|-----------------------|--------|--------------------|---|--------|--------|--------|-----|----------------|--------|--------|-----|--------|-------|----|-----|--------|----|------------|----|----|------|---|-----|---|-----|--|--|
| DBG Up To | Windlock Flat Location | Slip | Windlock | Guide Assembly | Windlock Weld Pitch | Assembly Fastener Diameter | Assembly Fastener Spacing | Concrete Minimum 3,000 PSI Compressive Strength (Anchors are the same diameter as assembly fasteners) | | | | Fillet CMU | | | | Steel (Wall anchors are the same diameter as assembly fasteners) | | | | Superimposed Loads | | | | | | | | | | | | | | | | | | | | | | | | | |
| | | | | | | | | Hilti Kwik Bolt 3 | | Simpson Wedge All | | Red Head Tri-Bolt | | Powers Wedge Bolt | | Hilti Kwik Bolt 3 | | Simpson Strong-Bolt 2 | | Through Bolt | | Welded | | Tapped | | Min. Thickness | | Vx (+) | | Vy (+) | | | | | | | | | | | | | | | |
| 5'-5" | N/A | N/A | N/A | 333* | N/A | 3/8 | 24 | 36 | 2 3/8 | 4 | 4 9/16 | 10 | 2 5/8 | 3 15/16 | 4 9/16 | 12 | 3 | 4 1/2 | 4 9/16 | 13 | 2 | 3 | 4 9/16 | 9 | 3/8 | 2 1/2 | 4 9/16 | 8 | 3/4 | 5 3/4 | 5 3/4 | 16 | 3/8 | 4 9/16 | 36 | 7/16 x 5/8 | 36 | 36 | 3/16 | 0 | 220 | 0 | 217 | | |

| CP0020 - 0.0405 Minimum Thickness Galvanized or Stainless Steel - 90 PSF | | | | | | | | | | | | | | | | | | | | | | | | | | | | | | | | | | | | | | | | | |
|--|------------------------|------|----------|----------------|---------------------|----------------------------|---------------------------|---|-------|-------------------|--------|-------------------|-------|-------------------|--------|--|---|-----------------------|--------|--------------------|---|--------|--------|--------|-----|----------------|--------|--------|-----|--------|----|------------|----|----|------|---|-----|---|-----|--|--|
| DBG Up To | Windlock Flat Location | Slip | Windlock | Guide Assembly | Windlock Weld Pitch | Assembly Fastener Diameter | Assembly Fastener Spacing | Concrete Minimum 3,000 PSI Compressive Strength (Anchors are the same diameter as assembly fasteners) | | | | Fillet CMU | | | | Steel (Wall anchors are the same diameter as assembly fasteners) | | | | Superimposed Loads | | | | | | | | | | | | | | | | | | | | | |
| | | | | | | | | Hilti Kwik Bolt 3 | | Simpson Wedge All | | Red Head Tri-Bolt | | Powers Wedge Bolt | | Hilti Kwik Bolt 3 | | Simpson Strong-Bolt 2 | | Through Bolt | | Welded | | Tapped | | Min. Thickness | | Vx (+) | | Vy (+) | | | | | | | | | | | |
| 4'-5" | N/A | N/A | N/A | 333* | N/A | 3/8 | 24 | 36 | 2 3/8 | 4 | 4 9/16 | 10 | 2 5/8 | 3 15/16 | 4 9/16 | 12 | 3 | 4 1/2 | 4 9/16 | 14 | 2 | 3 | 4 9/16 | 10 | 3/8 | 2 1/2 | 4 9/16 | 18 | 3/8 | 4 9/16 | 36 | 7/16 x 5/8 | 36 | 36 | 3/16 | 0 | 202 | 0 | 199 | | |



24 ELMWOOD AVE 1901 S. LITCHFIELD RD
MOUNTAINTOP, PA GOODYEAR, AZ
800 TULIP DRIVE
GASTONIA, NC
P: 800.233.8366
F: 800.526.0841
E: ADS@CORNELLIRON.COM

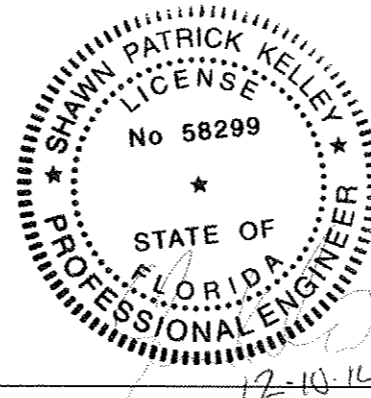
TITLE: WIND LOAD CONFIGURATION
NON-INSULATED ROLLING STEEL DOOR
CP0020 SLAT NON-IMPACT RATED

DRAWN BY: TJE
SIZE: B
SCALE: AS NOTED
SHEET: 20/21
DWG NO: ES-16-62-CIW

Unless otherwise specified,
dimensions are in inches &
tolerances are:
0.000 = +/- 0.031
FRACTIONAL = +/- 1/32
ANGLES = +/- 1/2 DEG

| | | | | |
|------|----------------|----------|-----|--------|
| L'TR | REVISION | DATE | BY | E.C.O. |
| * | ORIGINAL ISSUE | 09/30/14 | TJE | 1615 |

| CP0020 - D.0405 Minimum Thickness Galvanized or Stainless Steel - 100 PSF | | | | | | | | | | | | | | | | | | | | | | | | | | | | | | | | | | | | | | | | | | | | | | |
|---|------------------------|-------|-----------------|----------------|---------------------|----------------------------|---------------------------|---|-------|------------------|------------|------------------|-------|------------------|------------|-------------------|-------|------------------|------------|-------------------|-------|------------------|------------|------------------|------|-------|------------|--|-------|-------|------------|--------------|--------------------|---------------|----------|-----------|----------|----------------|--------|------------|--------|--------------------|---|-----|---|-----|
| DBI Lip To | Windlock Flat Location | Sfp | Windlock | Guide Assembly | Windlock Weld Pitch | Assembly Fastener Diameter | Assembly Fastener Spacing | Concrete Minimum 3,000 PSI Compressive Strength (Anchors are the same diameter as assembly fasteners) | | | | | | | | | | | | E-Red CMU | | | | | | | | Steel (W/lf anchors are the same diameter as assembly fasteners) | | | | | Superimposed Loads | | | | | | | | | | | | | |
| | | | | | | | | IBRi Kwik Bolt 3 | | | | Snapson Wedge AN | | | | Red Head Tru-Bolt | | | | Powers Wedge-Bolt | | | | IBRi Kwik Bolt 3 | | | | Simpson Strong-Bolt 2 | | | | Through Bolt | | | | | Welded | | Tapped | | | Superimposed Loads | | | | |
| | | | | | | | | Max O.C. | Embed | Min. Wall Thick. | Edge Dist. | Max O.C. | Embed | Min. Wall Thick. | Edge Dist. | Max O.C. | Embed | Min. Wall Thick. | Edge Dist. | Max O.C. | Embed | Min. Wall Thick. | Edge Dist. | Max O.C. | Dia. | Embed | Edge Dist. | Max O.C. | Dia. | Embed | Edge Dist. | Max O.C. | Dia. | Edge Distance | Max O.C. | Slot Size | Max O.C. | Min. Thickness | Vx (+) | Vy (+) | Vx (-) | Vy (-) | | | | |
| 4'-5" | N/A | N/A | N/A | 333* | N/A | 3/8 | 24 | 20 | 2 3/8 | 4 | 4 9/16 | 16 | 2 5/8 | 3 15/16 | 4 9/16 | 16 | 3 | 4 1/2 | 4 9/16 | 13 | 2 | 3 | 4 9/16 | 9 | 3/8 | 2 1/2 | 4 9/16 | 11 | 3/4 | 4 3/8 | 5 3/4 | 8 | 3/4 | 5 1/4 | 5 3/4 | 9 | 3/8 | 5 3/4 | 36 | 7/16 x 5/8 | 36 | 3/16 | 0 | 224 | 0 | 221 |
| 14'-5" | 1 1/2 | 0.656 | CP1152 & CP1153 | 64B | 5 | 3/4 | 18 | N/A | N/A | N/A | N/A | 7 | 5 | 7 1/2 | 7 1/2 | 5 | 6 5/8 | 9 15/16 | 7 1/2 | N/A | N/A | N/A | N/A | N/A | N/A | N/A | 7 | 3/4 | 7 1/2 | 28 | 13/16 x 1 | 28 | 15 | 3/8 | 3142 | 777 | 3025 | 778 | | | | | | | | |
| 15'-5" | 1 5/8 | 0.781 | CP1152 & CP1153 | 64B | 5 | 3/4 | 17 | N/A | N/A | N/A | N/A | 7 | 5 | 7 1/2 | 7 1/2 | 7 | 5 | 7 1/2 | 7 1/2 | N/A | N/A | N/A | N/A | N/A | N/A | N/A | 7 | 3/4 | 7 1/2 | 27 | 13/16 x 1 | 27 | 14 | 3/8 | 3243 | 826 | 3201 | 827 | | | | | | | | |
| 16'-5" | 1 3/4 | 0.906 | CP1152 & CP1153 | 64B | 5 | 3/4 | 17 | N/A | N/A | N/A | N/A | 7 | 5 | 7 1/2 | 7 1/2 | 7 | 5 | 7 1/2 | 7 1/2 | N/A | N/A | N/A | N/A | N/A | N/A | N/A | 7 | 3/4 | 7 1/2 | 28 | 13/16 x 1 | 28 | 15 | 3/8 | 3144 | 874 | 3110 | 875 | | | | | | | | |
| 17'-5" | 2 | 1.156 | CP1152 & CP1153 | 64B | 5 | 3/4 | 16 | N/A | N/A | N/A | N/A | 7 | 5 | 7 1/2 | 7 1/2 | 7 | 5 | 7 1/2 | 7 1/2 | N/A | N/A | N/A | N/A | N/A | N/A | N/A | 7 | 3/4 | 7 1/2 | 28 | 13/16 x 1 | 28 | 15 | 3/8 | 3109 | 921 | 3081 | 923 | | | | | | | | |
| 19'-5" | 2 1/2 | 1.656 | CP1152 & CP1153 | 64B | 5 | 3/4 | 15 | N/A | N/A | N/A | N/A | 7 | 5 | 7 1/2 | 7 1/2 | 7 | 5 | 7 1/2 | 7 1/2 | N/A | N/A | N/A | N/A | N/A | N/A | N/A | 7 | 3/4 | 7 1/2 | 28 | 13/16 x 1 | 28 | 15 | 3/8 | 3111 | 963 | 3089 | 970 | | | | | | | | |



CORNELL
SAFE AND SECURE

24 ELMWOOD AVE 1901 S. LITCHFIELD RD
MOUNTAINTOP, PA GOODYEAR, AZ
800 TULIP DRIVE
GASTONIA, NC
P: 800.233.8366
F: 800.526.0841
E: ADS@CORNELLIRON.COM

Unless otherwise specified, dimensions are in inches & tolerances are:

0.000 = +/- 0.031
FRACTIONAL = +/- 1/32
ANGLES = +/- 1/2 DEG

TITLE: WIND LOAD CONFIGURATION
NON-INSULATED ROLLING STEEL DOOR
CP0020 SLAT NON-IMPACT RATED

DRAWN BY: TJE
SIZE: B
SCALE: AS NOTED
SHEET: 21/21
DWG NO: ES-16-62-CIW