



**EVALUATION REPORT**

**FLORIDA BUILDING CODE, 7<sup>TH</sup> EDITION (2020)**

**Manufacturer:** L.V. Thompson, Inc. *Issued September 16, 2020*  
 dba Thompson Architectural Metals Company (TAMCO)  
 5015 E. Hillsborough Ave  
 Tampa, FL 33610  
 (813) 248-3456  
<http://www.tamcometalroof.com>

**Manufacturing Plant:** Tampa, FL

**Quality Assurance:** PRI Construction Materials Technologies (QUA9110)

**SCOPE**

**Category:** Roofing  
**Subcategory:** Roofing Accessories that are an Integral Part of the Roofing System  
**Code Sections:** 1503.5, 1709.2  
**Properties:** Roof Ventilation

**REFERENCES**

<u>Entity</u>	<u>Report No.</u>	<u>Standard</u>	<u>Year</u>
PRI Construction Materials Technologies (TST5878)	LVTI-013-02-01	ASTM E 330	2014

**PRODUCT DESCRIPTION**

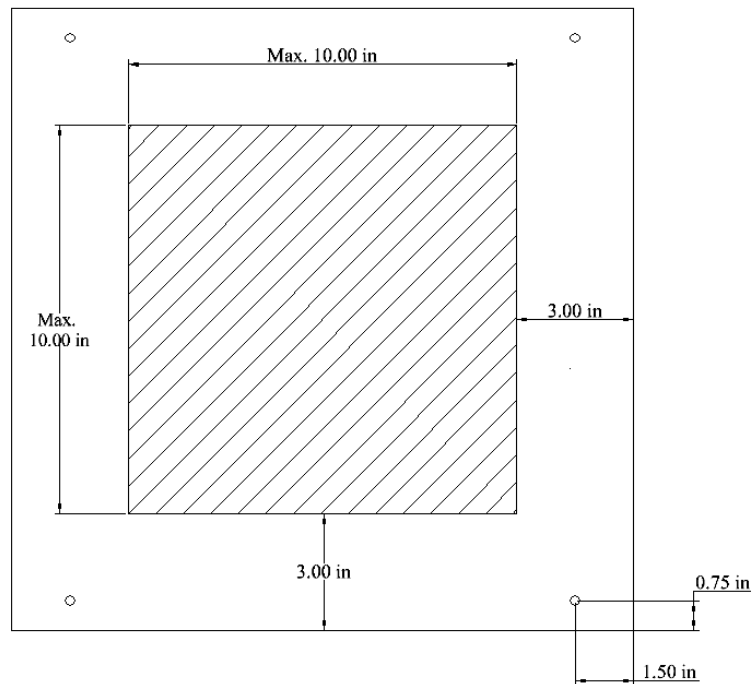


**TAMCO Gooseneck Vent:** Minimum 26 ga. ASTM A792 or ASTM A653 galvanized steel;  $F_y = \text{min. } 50 \text{ ksi}$ ; maximum dimensions of the vent duct are 10" wide x 10" long x 8-3/4". Vent contains a 3" wide mounting flange on all four sides with pre-punched holes located in each of the four corners. Material shall conform with FBC Section 1507.4.3.

**APPLICATION**

- Deck Type: Minimum 15/32-inch APA span rated plywood sheathing or minimum 7/16-inch OSB for new and existing roof deck; (Deck shall be designed by others in accordance with FBC requirements)
- Roof slope: Minimum 4:12
- Installation Height: Maximum 33-ft
- Attachment Method: Cut out the Gooseneck Vent opening in the roof sheathing according within maximum dimensions. Do not cut into trusses or rafters when cutting opening in the roof.

Remove interfering shingle nails around the perimeter of the opening and any debris so that the nailing flange of the vent lays flat to the roof sheathing. Slide the top and side flanges of the vent underneath the shingles and allow the bottom flange to lie on the top of the shingles. Care should be taken in keeping the vent properly aligned. Vent pipe is sealed if utilized. Nail in place using four (4) minimum 12 ga. x 1-1/2" smooth shank located at each corner (fasteners shall conform with FBC Section 1506.5). Roofing cement should be applied to all shingle edges near the outer edge and around the entire perimeter.



- Allowable Roof Coverings: Asphalt shingles
  - Maximum Design Pressure: **-52.5 psf** for installations over plywood deck  
**-22.5 psf** for installation over OSB deck
- Pressures calculated using 2:1 margin of safety per 1504.9.*

**LIMITATIONS**

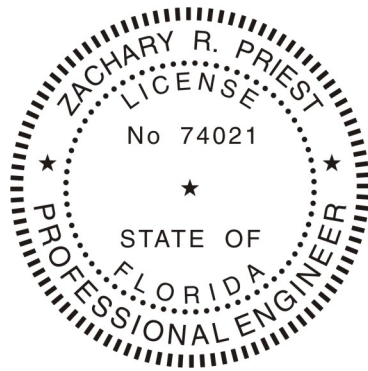
---

- 1) This report is not for use in the HVHZ.
- 2) Fire Classification is outside the scope of this evaluation.
- 3) The roof deck and deck attachment shall be designed by others in accordance with the FBC.
- 4) TAMCO vents shall be installed in strict compliance with this evaluation report and the manufacturer's published installation instructions. In the event of conflict, the more restrictive installation shall be enforced.
- 5) Deck substrates shall be clean, dry, and free from any irregularities and debris. All fasteners in the deck shall be checked for protrusion prior to installation.
- 6) Installation of the roof assembly is outside the scope of this evaluation.
- 7) TAMCO vents are intended to provide passive ventilation for an enclosed attic in residential construction applications.
- 8) All products listed in this report shall be manufactured under a quality assurance program in compliance with Rule 61G20-3.

**COMPLIANCE STATEMENT**

---

The products evaluated herein by Zachary R. Priest, P.E. have demonstrated compliance with the Florida Building Code, 7<sup>th</sup> Edition (2020) as evidenced in the referenced documents submitted by the named manufacturer.



Zachary R. Priest, P.E.  
Florida Registration No. 74021  
Organization No. ANE9641

**CERTIFICATION OF INDEPENDENCE**

---

CREEK Technical Services, LLC does not have, nor will it acquire, a financial interest in any company manufacturing or distributing products under this evaluation.

CREEK Technical Services, LLC is not owned, operated, or controlled by any company manufacturing or distributing products under this evaluation.

Zachary R. Priest, P.E. does not have, nor will acquire, a financial interest in any company manufacturing or distributing products under this evaluation.

Zachary R. Priest, P.E. does not have, nor will acquire, a financial interest in any other entity involved in the approval process of the product.

**END OF REPORT**