



DEPARTMENT OF REGULATORY AND ECONOMIC RESOURCES (RER)
BOARD AND CODE ADMINISTRATION DIVISION
NOTICE OF ACCEPTANCE (NOA)

MIAMI-DADE COUNTY
PRODUCT CONTROL SECTION
11805 SW 26 Street, Room 208
Miami, Florida 33175-2474
T (786) 315-2590 F (786) 315-2599
www.miamidade.gov/economy

Cornell Iron Works, Inc.
24 Elmwood Avenue
Mountaintop, PA 18707

SCOPE:

This NOA is being issued under the applicable rules and regulations governing the use of construction materials. The documentation submitted has been reviewed and accepted by Miami-Dade County RER-Product Control Section to be used in Miami Dade County and other areas where allowed by the Authority Having Jurisdiction (AHJ).

This NOA shall not be valid after the expiration date stated below. The Miami-Dade County Product Control Section (In Miami Dade County) and/or the AHJ (in areas other than Miami Dade County) reserve the right to have this product or material tested for quality assurance purposes. If this product or material fails to perform in the accepted manner, the manufacturer will incur the expense of such testing and the AHJ may immediately revoke, modify, or suspend the use of such product or material within their jurisdiction. RER reserves the right to revoke this acceptance, if it is determined by Miami-Dade County Product Control Section that this product or material fails to meet the requirements of the applicable building code.

This product is approved as described herein, and has been designed to comply with the Florida Building Code, including the High Velocity Hurricane Zone.

DESCRIPTION: Steel Roll-up Door up to 25'-5" Wide

APPROVAL DOCUMENT: Drawing No. ES16-46-CIW, titled "Dade County Approved 25'-5" wide 60 psf Rolling Steel Door", sheets 1 and 6 of 6, dated 10/10/2012, with revision A dated 04/10/2013, prepared by Cornell Iron Works, Inc., signed and sealed by Joseph H. Dixon, Jr., P.E., bearing the Miami-Dade County Product Control approval stamp with the Notice of Acceptance number and approval date by the Miami-Dade County Product Control Section.

MISSILE IMPACT RATING: Large and Small Missile Impact Resistant

LABELING: A permanent label with the manufacturer's name or logo, Phoenix, AZ or Mountaintop, PA, model number, the positive and negative design pressure rating, indicate impact rated if applicable, installation instruction drawing reference number, approval number (NOA), the applicable test standards, and the statement reading 'Miami-Dade County Product Control Approved' is to be located on the door's side track, bottom angle, or inner surface of a panel.

RENEWAL of this NOA shall be considered after a renewal application has been filed and there has been no change in the applicable building code negatively affecting the performance of this product.

TERMINATION of this NOA will occur after the expiration date or if there has been a revision or change in the materials, use, and/or manufacture of the product or process. Misuse of this NOA as an endorsement of any product, for sales, advertising or any other purposes shall automatically terminate this NOA. Failure to comply with any section of this NOA shall be cause for termination and removal of NOA.

ADVERTISEMENT: The NOA number preceded by the words Miami-Dade County, Florida, and followed by the expiration date may be displayed in advertising literature. If any portion of the NOA is displayed, then it shall be done in its entirety.

INSPECTION: A copy of this entire NOA shall be provided to the user by the manufacturer or its distributors and shall be available for inspection at the job site at the request of the Building Official.

This NOA consists of this page 1 and evidence page E-1, as well as approval document mentioned above. The submitted documentation was reviewed by **Carlos M. Utrera, P.E.**



Handwritten signature and date: 05/28/2013

NOA No. 12-1019.27
Expiration Date: May 30, 2018
Approval Date: May 30, 2013
Page 1

NOTICE OF ACCEPTANCE: EVIDENCE SUBMITTED

A. DRAWINGS

1. Drawing No. **ES16-46-CIW**, titled "Dade County Approved 25'-5" wide 60 psf Rolling Steel Door", sheets 1 and 6 of 6, dated 10/10/2012, with revision A dated 04/10/2013, prepared by Cornell Iron Works, Inc., signed and sealed by Joseph H. Dixon, Jr., P.E.

B. TESTS "Submitted under NOA # 12-1019.26"

1. Test reports on: 1) Uniform Static Air Pressure Test, Loading per FBC, TAS 202-94,
2) Large Missile Impact Test per FBC, TAS 201-94,
3) Cyclic Wind Pressure Loading per FBC, TAS 203-94,
4) Forced Entry Test per FBC, TAS 202-94,
5) Tensile Test per ASTM E 8,
along with installation diagram of Series/Model C20P Rolling Steel Slat Doors, prepared by Architectural Testing, Inc, Test Report No. **B8848.01-109-18**, dated 08/09/2012, with revision 3 dated 04/05/2013, signed and sealed by Michael D. Stremmel, P.E.

"Submitted under NOA # 10-1112.06"

2. Test reports on 1000 hours of Salt Spray per ASTM B117 of G-90 and G-40 painted samples, prepared by Intertek, Test Report No. **G100075502**, dated 05/26/2010, signed and sealed by Rick Curkeet, P.E.

C. CALCULATIONS "Submitted under NOA # 12-1019.26"

1. Anchoring calculations and structural analysis, dated 10/05/2012, prepared, signed and sealed by Joseph H. Dixon, Jr., P.E.

D. QUALITY ASSURANCE


1. Miami-Dade Department of Regulatory and Economic Resources (RER)

E. MATERIAL CERTIFICATIONS

1. None.

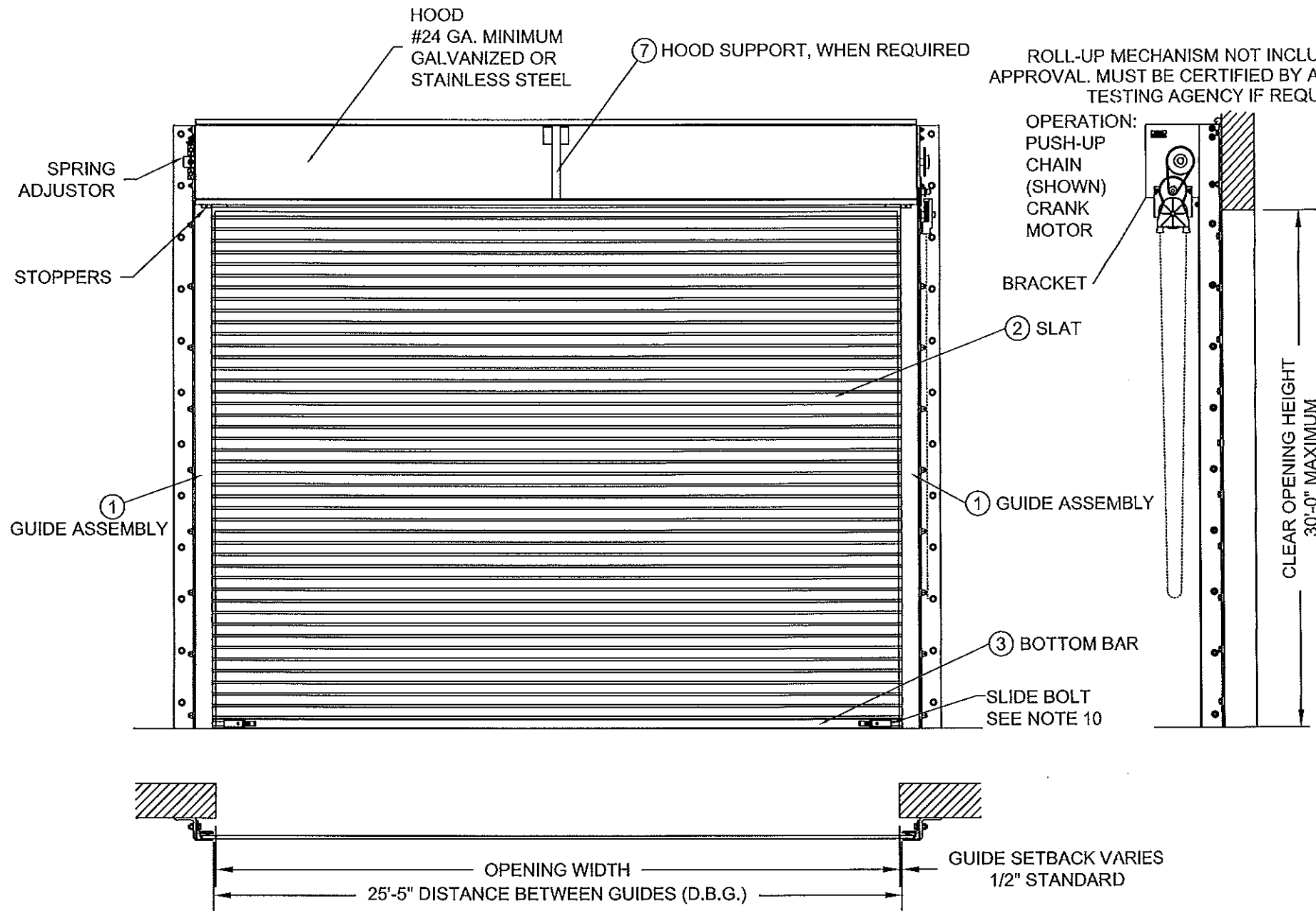
F. STATEMENTS

1. Statement letter of code conformance to 2010 FBC, dated 10/12/2012, signed and sealed by Joseph H. Dixon, Jr., P.E.
2. Statement letter of no financial interest, dated 10/12/2012, signed and sealed by Joseph H. Dixon, Jr., P.E.
3. Private label agreement dated 10/09/2012.


05/28/2013

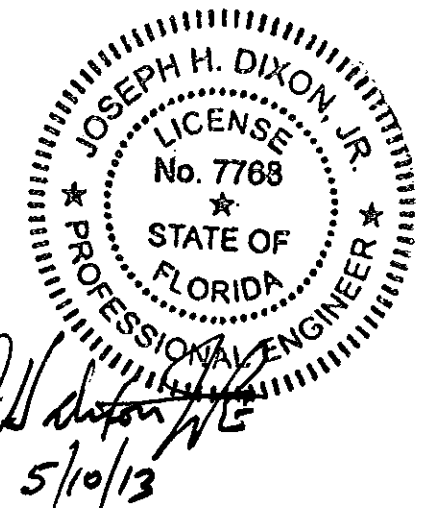
Carlos M. Utrera, P.E.
Product Control Examiner
NOA No. 12-1019.27
Expiration Date: May 30, 2018
Approval Date: May 30, 2013

L'TR	REVISION	DATE	BY	E.C.O.
*	ORIGINAL ISSUE	10/10/12	TJE	1557
A	REV. NOTES, ADD SLIDE BOLTS, REV. TITLE BLOCK	04/10/13	TJE	1557



ROLL-UP MECHANISM NOT INCLUDED IN THIS APPROVAL. MUST BE CERTIFIED BY AN INDEPENDENT TESTING AGENCY IF REQUIRED.

Approved as complying with the Florida Building Code
 Date 05/30/2013
 NOA# 12-1019.27
 Miami Dade Product Control
 By *[Signature]*

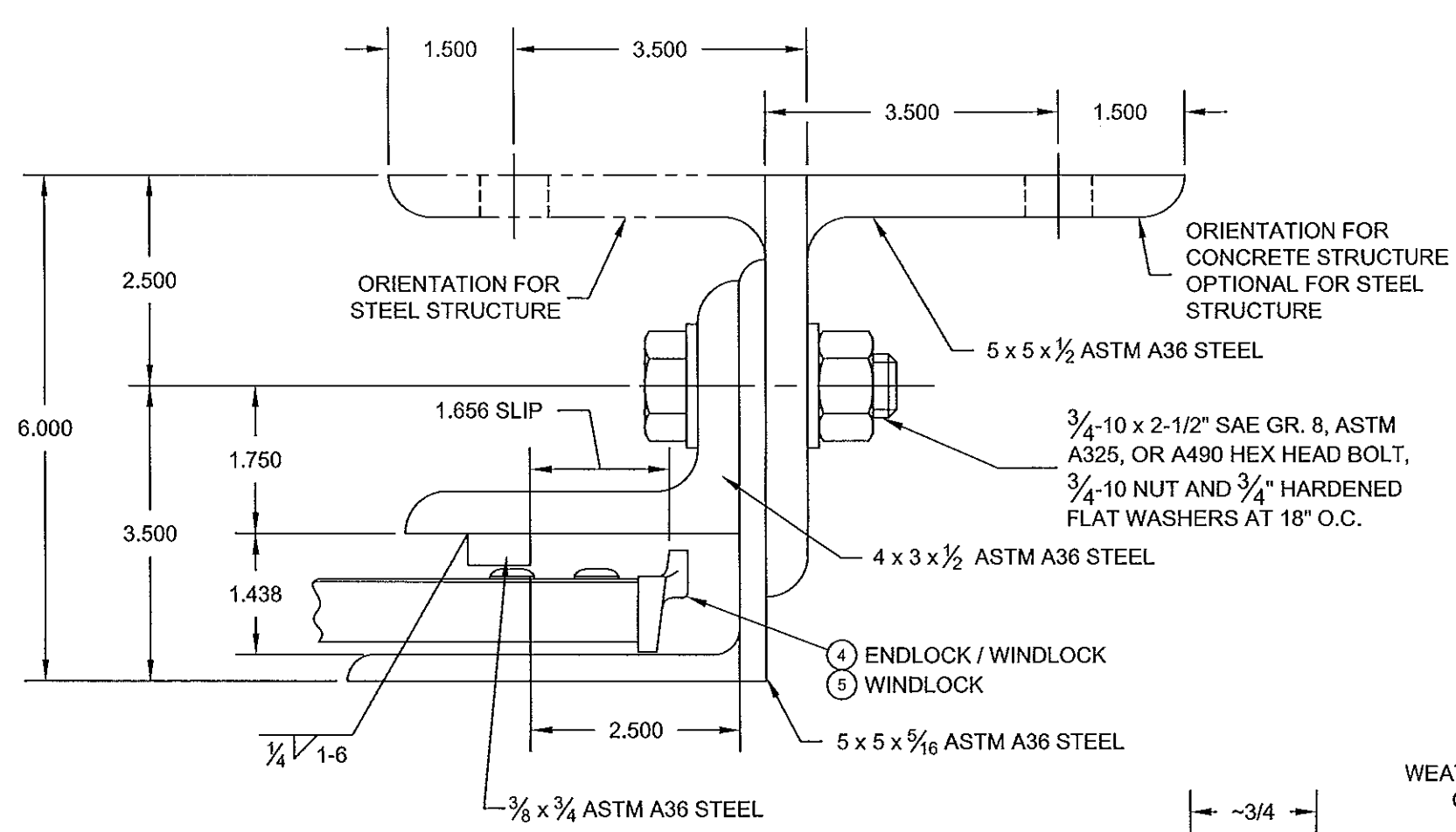


- NOTES:
- THIS ROLL-UP DOOR SYSTEM IS DESIGNED IN ACCORDANCE WITH THE FLORIDA BUILDING CODE, AS A LARGE MISSILE IMPACT RESISTANT SYSTEM.
 - POSITIVE AND NEGATIVE DESIGN PRESSURE CALCULATIONS SHALL BE PERFORMED FOR SPECIFIC JOBS IN ACCORDANCE WITH ASCE 7 MINIMUM DESIGN LOADS FOR BUILDINGS AND OTHER STRUCTURES. WIND LOADS DETERMINED FOR OPENINGS SHALL BE LESS THAN OR EQUAL TO DOOR DESIGN PRESSURES NOTED BELOW.
 - THE DETAILS AND SPECIFICATIONS SHOWN HEREIN REPRESENT THE PRODUCTS TESTED FOR UNIFORM STATIC AIR PRESSURE IN CONFORMANCE WITH DADE COUNTY PROTOCOLS TAS 201, 202 AND 203.
 POSITIVE DESIGN LOAD = 60 PSF
 NEGATIVE DESIGN LOAD = 60 PSF
 - TESTING PERFORMED BY ARCHITECTURAL TESTING, INC. (YORK, PENNSYLVANIA) TEST REPORT No. B8848.01-109-18.
 - SUPERIMPOSED LOADS ON THE JAMBS FROM THIS DOOR ARE DESIGNATED AS F1, F2, AND F3 HEREIN. CONTRACTORS SHALL HAVE FLORIDA REGISTERED PROFESSIONAL ENGINEER VERIFY ADEQUACY OF BUILDING STRUCTURE TO RESIST SUPERIMPOSED LOAD FI, F2, AND F3.

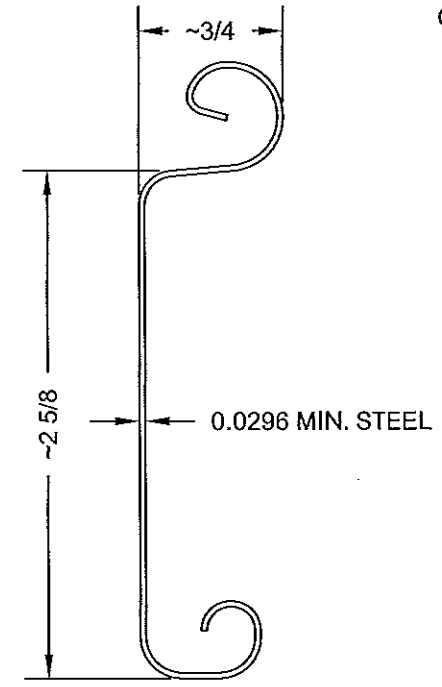
- ALL WELDING SHALL BE PERFORMED BY QUALIFIED WELDERS IN ACCORDANCE WITH AWS SPECIFICATIONS, LATEST EDITION. ALL WELDING ELECTRODES SHALL CONFORM TO AWS A5.1, GRADE E-70. MINIMUM WELDING PROCESS SHALL BE ARC WELDING AWS E7014 OR MIG WELDING AWS ER70S-6.
- ANCHOR NOTES:
 A. EMBEDMENT DEPTH DOES NOT INCLUDE STUCCO FINISH.
 B. ANCHORS SHALL BE INSTALLED IN ACCORDANCE WITH MANUFACTURERS SPECIFICATIONS.
- DOOR MAY BE INSTALLED ON THE INSIDE OR OUTSIDE OF AN EXTERIOR WALL.
- A 33% INCREASE IN ALLOWABLE STRESS HAS NOT BEEN USED IN THE DESIGN OF THIS PRODUCT.
- SLIDE BOLTS ARE NOT REQUIRED FOR WINDLOAD RESISTANCE. SLIDE BOLTS ARE ONLY REQUIRED ON PUSH UP OPERATED UNITS FOR FORCED ENTRY RESISTANCE. LOCKING IS TO BE PROVIDED BY OTHERS OR AS CYLINDER LOCKS BY CORNELL IRON WORKS.

CORNELL		100 ELMWOOD AVENUE CRESTWOOD INDUSTRIAL PARK MOUNTAINTOP, PA 18707	
DADE COUNTY APPROVED 25'-5" WIDE 60 PSF ROLLING STEEL DOOR			
SIZE	DRAWN	DWG NO	REV
B	T. ERRINGTON	ES16-46-CIW	A
SCALE AS NOTED		SHEET 1 OF 6	

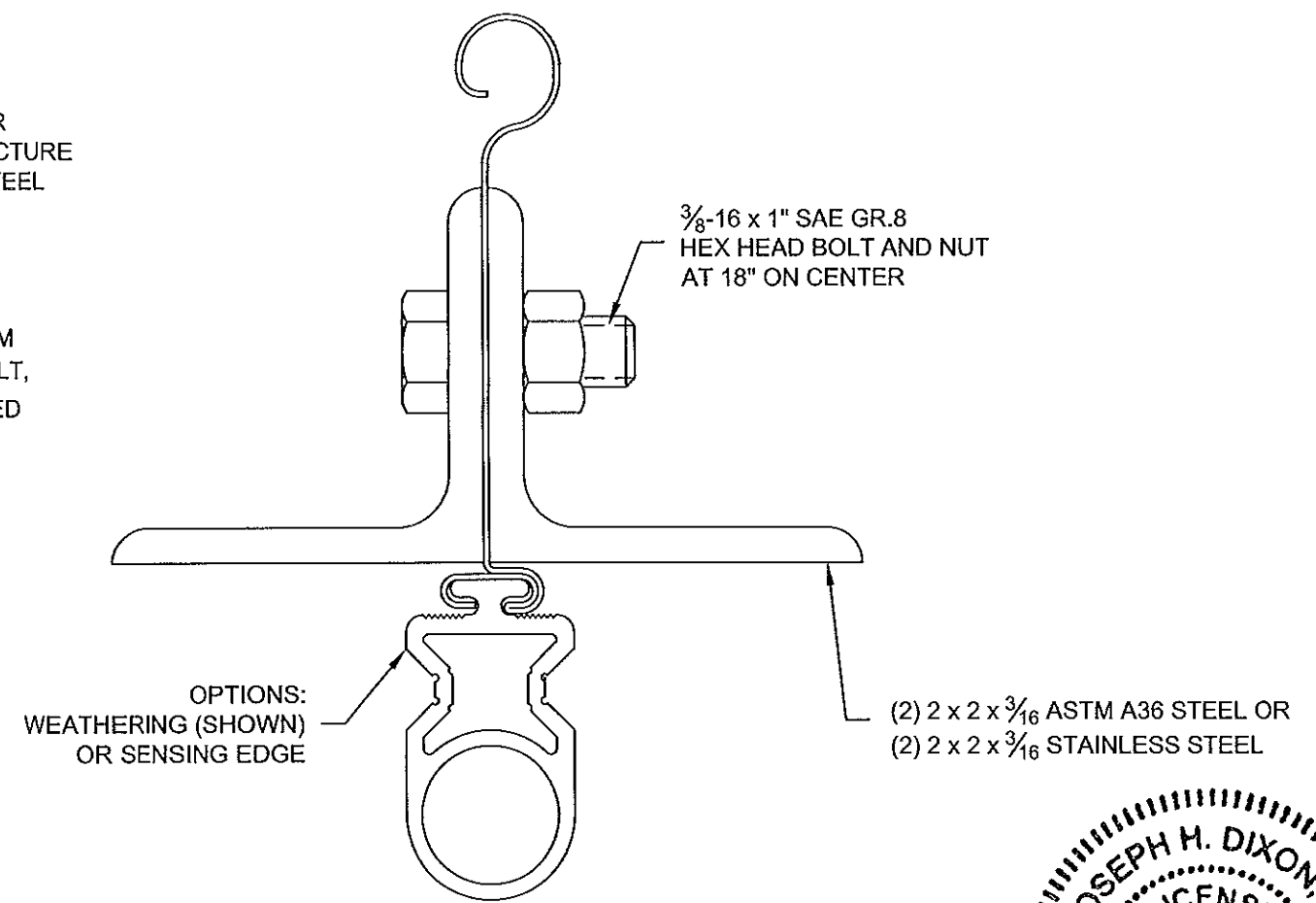
L'TR	REVISION	DATE	BY	E.C.O.
*	ORIGINAL ISSUE	10/10/12	TJE	1557
A	REV. NOTES, ADD SLIDE BOLTS, REV. TITLE BLOCK	04/10/13	TJE	1557



① GUIDE ASSEMBLY DETAIL
1/2 SCALE

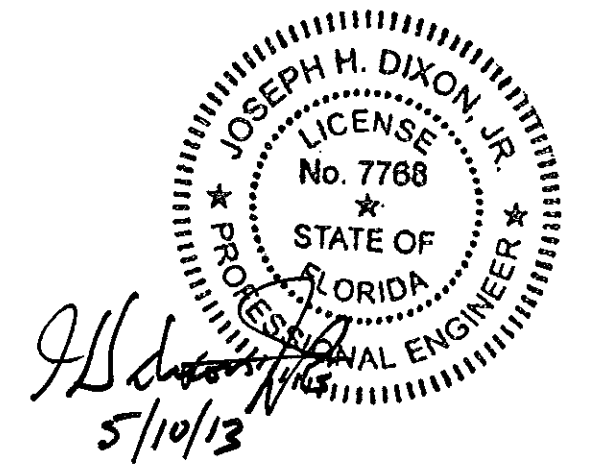


② SLAT DETAIL
TYPICAL SECTION
FULL SCALE
ASTM A653 HSLAS GRADE 40 G40 (MIN. YIELD 48,400 PSI) OR
ASTM A653 HSLAS-F GRADE 40 G40 (MIN. YIELD 48,400 PSI) OR
ASTM A653 STRUCTURAL STEEL GRADE 40 G40 (MIN. YIELD 48,400 PSI)
OR TYPE 304 / UNS S30400 STAINLESS STEEL (MIN. YIELD 48,400 PSI)
OR TYPE 430 / UNS S43000 STAINLESS STEEL (MIN. YIELD 48,400 PSI)
OR TYPE 201 / UNS S20100 STAINLESS STEEL (MIN. YIELD 48,400 PSI)



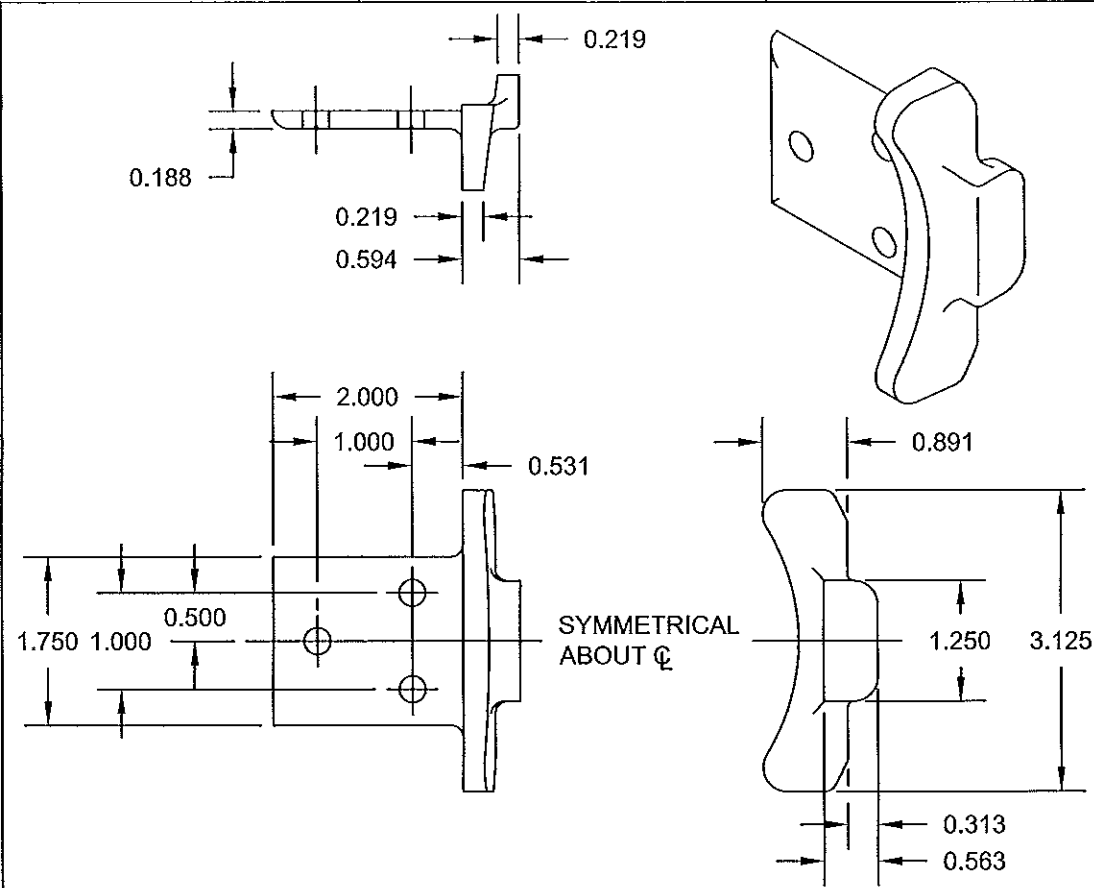
③ BOTTOM BAR DETAIL
TYPICAL SECTION
FULL SCALE

Approved as complying with the
Florida Building Code
Date 05/30/2013
NOA# 12-1019-27
Miami Dade Product Control
By *[Signature]*



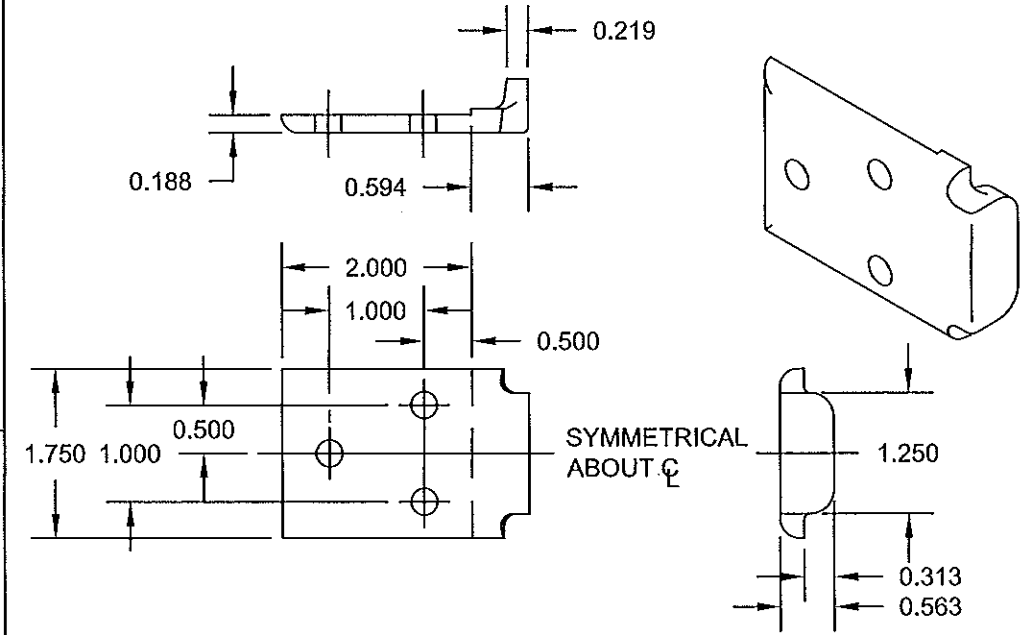
CORNELL		100 ELMWOOD AVENUE CRESTWOOD INDUSTRIAL PARK MOUNTAINTOP, PA 18707	
TITLE DADE COUNTY APPROVED 25'-5" WIDE 60 PSF ROLLING STEEL DOOR			
SIZE B	DRAWN T. ERRINGTON	DWG NO ES16-46-CIW	REV A
SCALE AS NOTED		SHEET 2 OF 6	

L'TR	REVISION	DATE	BY	E.C.O.
*	ORIGINAL ISSUE	10/10/12	TJE	1557
A	REV. NOTES, ADD SLIDE BOLTS, REV. TITLE BLOCK	04/10/13	TJE	1557



④ ENDLOCK / WINDLOCK DETAIL

FERRITIC MALLEABLE IRON PER ASTM A47 - GRADE 32510
OR DUCTILE IRON PER ASTM A536 GRADE 65-45-12. GALVANIZED
IN ACCORDANCE WITH ASTM A153, G90 ZINC-COATING.
1/2 SCALE



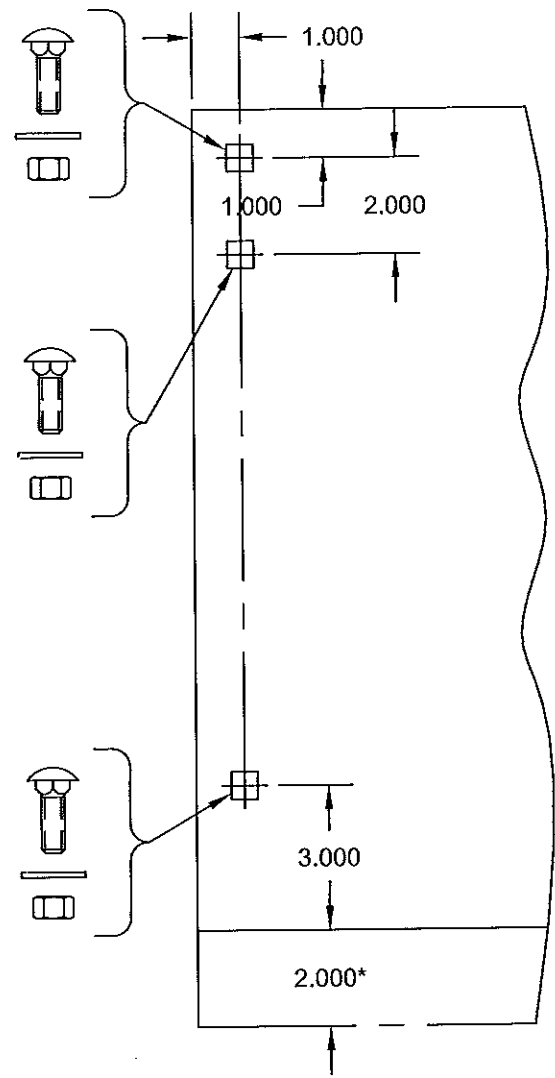
⑤ WINDLOCK DETAIL

FERRITIC MALLEABLE IRON PER ASTM A47 - GRADE 32510
OR DUCTILE IRON PER ASTM A536 GRADE 65-45-12. GALVANIZED
IN ACCORDANCE WITH ASTM A153, G90 ZINC-COATING.
1/2 SCALE

1/2-13 x 1 1/2"
CARRIAGE BOLT GR.5
1/2" FLAT WASHER
1/2-13 HEX NUT

1/2-13 x 1 1/2"
CARRIAGE BOLT GR.5
1/2" FLAT WASHER
1/2-13 HEX NUT
THIS FASTENER ON 17" AND
LARGER COILS

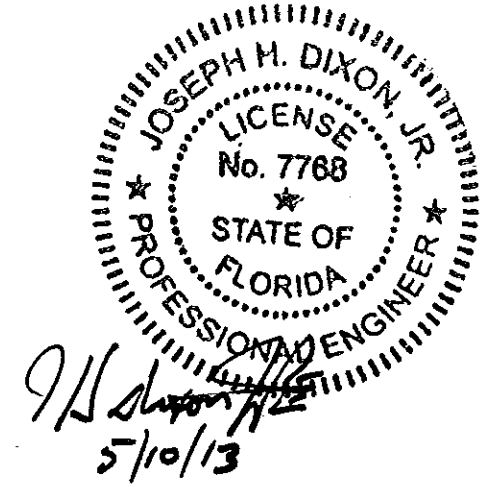
1/2-13 x 1 1/2"
CARRIAGE BOLT GR.5
1/2" FLAT WASHER
1/2-13 HEX NUT



⑥ BRACKET MOUNTING DETAIL

0.172 MIN. THICKNESS
* 2" EXTENSION WHEN 8" AND LARGER SHAFT ASSEMBLY IS SUPPLIED
1/4 SCALE

Approved as complying with the
Florida Building Code
Date 05/30/2013
NOAH 12-1019-27
Miami Dade Product Control
By *[Signature]*



CORNELL 100 ELMWOOD AVENUE
CRESTWOOD INDUSTRIAL PARK
MOUNTAINTOP, PA 18707

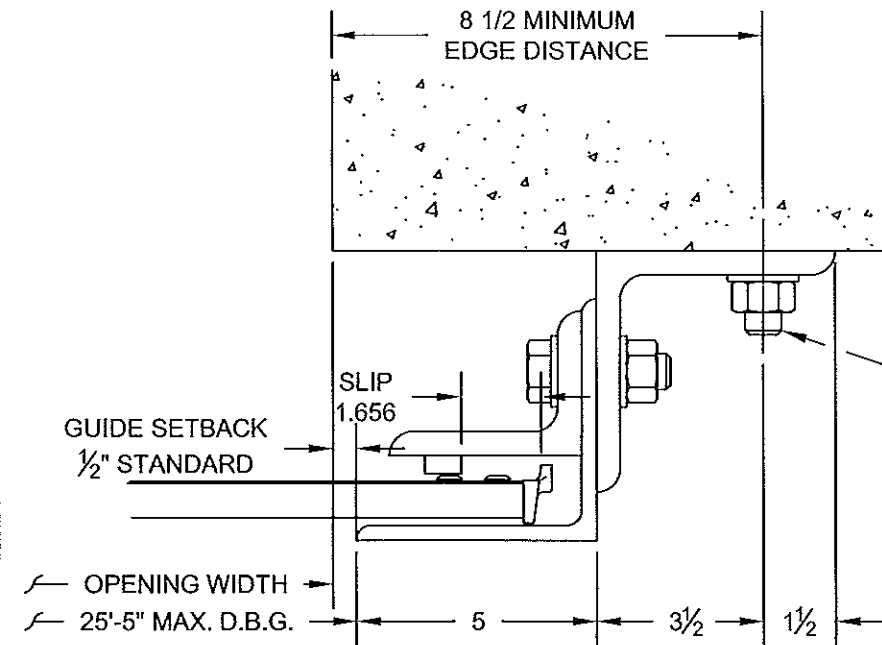
TITLE
DADE COUNTY APPROVED
25'-5" WIDE 60 PSF
ROLLING STEEL DOOR

SIZE	DRAWN	DWG NO	REV
B	T. ERRINGTON	ES16-46-CIW	A

SCALE AS NOTED SHEET 3 OF 6

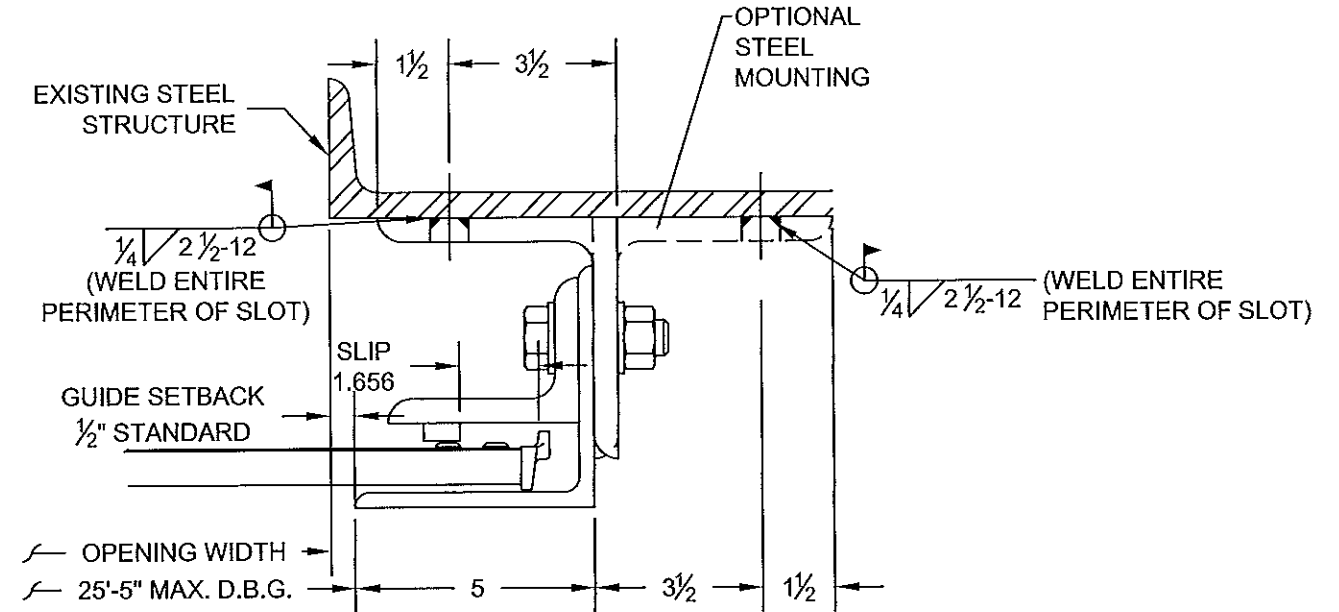
CONCRETE STRENGTH (psi)	MAXIMUM FASTENER SPACING (in.)		
	HILTI	SIMPSON	ITW REDHEAD
3000	7 1/2	7	5
4000	10 1/2	8	8

L'TR	REVISION	DATE	BY	E.C.O.
*	ORIGINAL ISSUE	10/10/12	TJE	1557
A	REV. NOTES, ADD SLIDE BOLTS, REV. TITLE BLOCK	04/10/13	TJE	1557

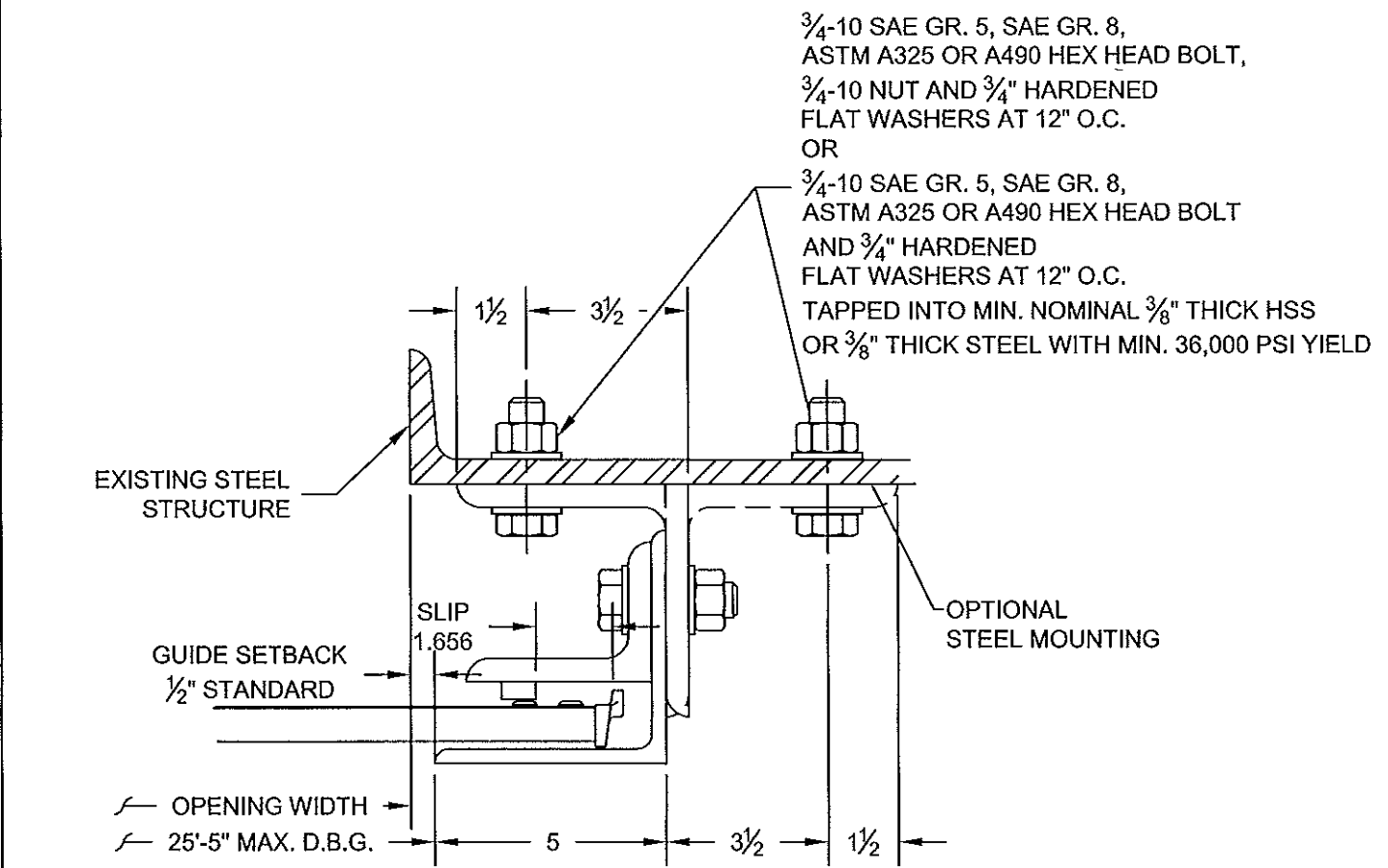


GUIDE ASSEMBLY
CONCRETE STRUCTURE

- 3/4" HILTI KWIK BOLT 3
4-3/4" MIN. EMBEDMENT
OR
- 3/4" SIMPSON WEDGE-ALL
5" MIN. EMBEDMENT
OR
- 3/4" ITW REDHEAD TRU-BOLT
6-5/8" MIN. EMBEDMENT
(SEE TABLE FOR SPACING)

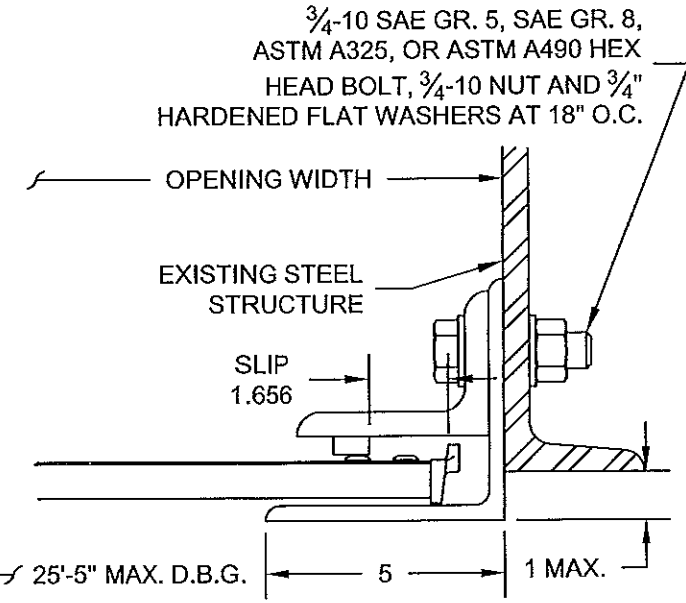


GUIDE ASSEMBLY
STEEL STRUCTURE



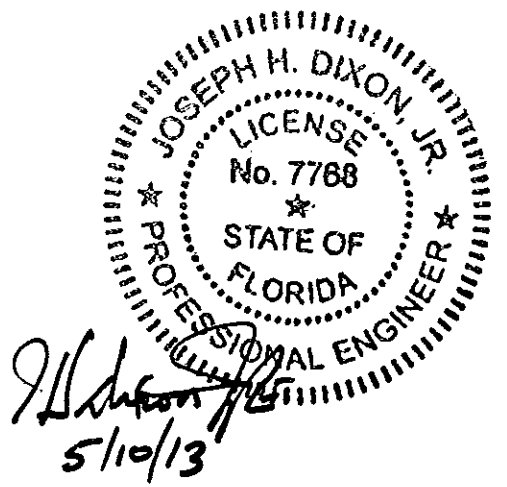
GUIDE ASSEMBLY
STEEL STRUCTURE

- 3/4-10 SAE GR. 5, SAE GR. 8,
ASTM A325 OR A490 HEX HEAD BOLT,
3/4-10 NUT AND 3/4" HARDENED
FLAT WASHERS AT 12" O.C.
OR
- 3/4-10 SAE GR. 5, SAE GR. 8,
ASTM A325 OR A490 HEX HEAD BOLT
AND 3/4" HARDENED
FLAT WASHERS AT 12" O.C.
TAPPED INTO MIN. NOMINAL 3/8" THICK HSS
OR 3/8" THICK STEEL WITH MIN. 36,000 PSI YIELD



GUIDE ASSEMBLY
STEEL STRUCTURE
(BETWEEN JAMBS GUIDE)

Approved as complying with the
Florida Building Code
Date 05/30/2013
NOA# 12-1019-27
Miami Dade Product Control
By *[Signature]*



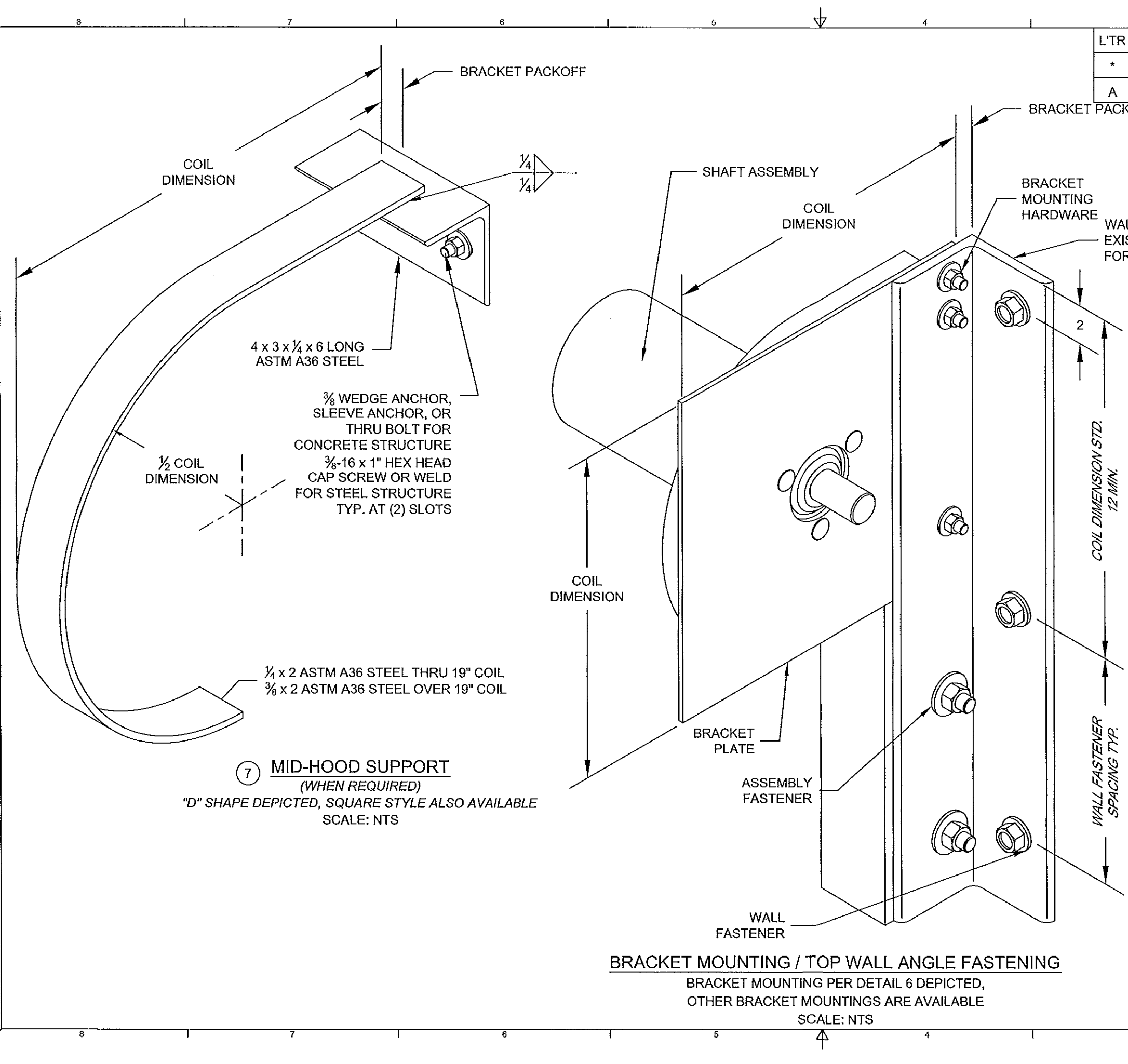
CORNELL 100 ELMWOOD AVENUE
CRESTWOOD INDUSTRIAL PARK
MOUNTAINTOP, PA 18707

TITLE
**DADE COUNTY APPROVED
25'-5" WIDE 60 PSF
ROLLING STEEL DOOR**

SIZE B	DRAWN T. ERRINGTON	DWG NO ES16-46-CIW	REV A
------------------	-----------------------	------------------------------	-----------------

SCALE AS NOTED SHEET 4 OF 6

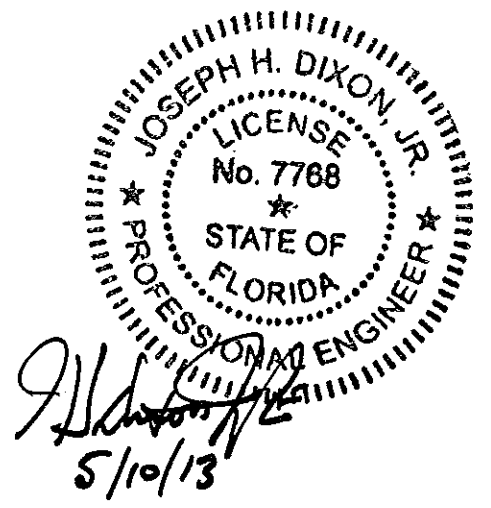
L'TR	REVISION	DATE	BY	E.C.O.
*	ORIGINAL ISSUE	10/10/12	TJE	1557
A	REV. NOTES, ADD SLIDE BOLTS, REV. TITLE BLOCK	04/10/13	TJE	1557



⑦ **MID-HOOD SUPPORT**
 (WHEN REQUIRED)
 "D" SHAPE DEPICTED, SQUARE STYLE ALSO AVAILABLE
 SCALE: NTS

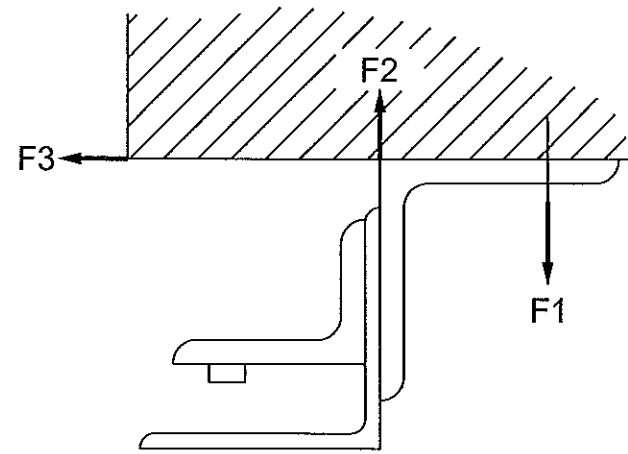
BRACKET MOUNTING / TOP WALL ANGLE FASTENING
 BRACKET MOUNTING PER DETAIL 6 DEPICTED,
 OTHER BRACKET MOUNTINGS ARE AVAILABLE
 SCALE: NTS

Approved as complying with the
 Florida Building Code
 Date 05/30/2013
 NOA# 12-1019.27
 Miami Dade Product Control
 By *[Signature]*

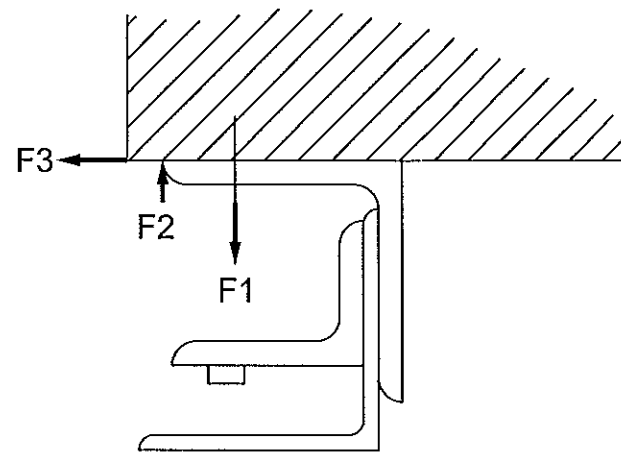


CORNELL		100 ELMWOOD AVENUE CRESTWOOD INDUSTRIAL PARK MOUNTAINTOP, PA 18707	
DADE COUNTY APPROVED 25'-5" WIDE 60 PSF ROLLING STEEL DOOR			
SIZE	DRAWN	DWG NO	REV
B	T. ERRINGTON	ES16-46-CIW	A
SCALE AS NOTED		SHEET 5 OF 6	

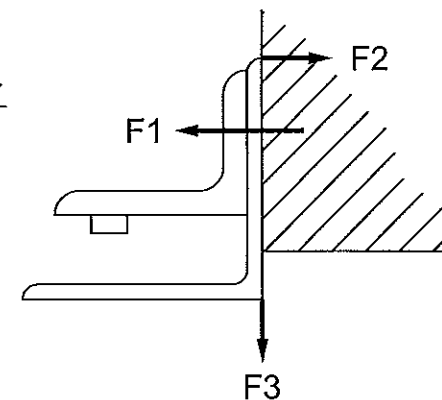
L'TR	REVISION	DATE	BY	E.C.O.
*	ORIGINAL ISSUE	10/10/12	TJE	1557
A	REV. NOTES, ADD SLIDE BOLTS, REV. TITLE BLOCK	04/10/13	TJE	1557



Z GUIDE



E GUIDE

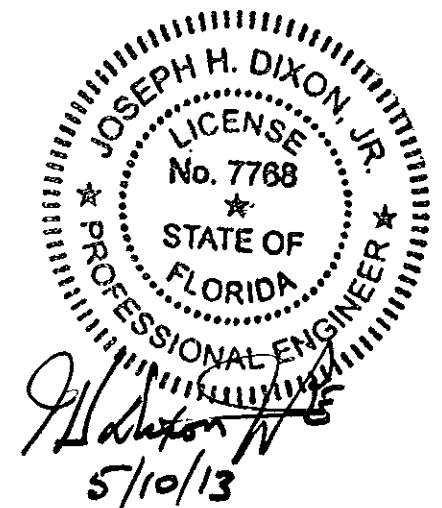


BETWEEN JAMBS GUIDE

UNREDUCED WIND FORCES ON BUILDING STRUCTURE (LBS / FOOT OF HEIGHT)																	
Z-GUIDE						E-GUIDE						BETWEEN JAMBS GUIDE					
POSITIVE			NEGATIVE			POSITIVE			NEGATIVE			POSITIVE			NEGATIVE		
F1	F2	F3	F1	F2	F3	F1	F2	F3	F1	F2	F3	F1	F2	F3	F1	F2	F3
2611	1840	2901	4618	5389	2901	8406	7635	2901	8464	9235	2901	4159	1258	771	8842	594	771

BUILDING DESIGNER NOTE:
STRUCTURE MUST BE DESIGNED TO SUPPORT F1, F2, AND F3 FORCES (LBS./FT. OF OPENING HEIGHT) AT EACH JAMB.

Approved as complying with the
Florida Building Code
Date 05/30/2013
NOA# 12-1014-27
Miami Dade Product Control
By *[Signature]*



CORNELL		100 ELMWOOD AVENUE CRESTWOOD INDUSTRIAL PARK MOUNTAINTOP, PA 18707	
TITLE DADE COUNTY APPROVED 25'-5" WIDE 60 PSF ROLLING STEEL DOOR			
SIZE B	DRAWN T. ERRINGTON	DWG NO ES16-46-CIW	REV A
SCALE AS NOTED		SHEET 6 OF 6	