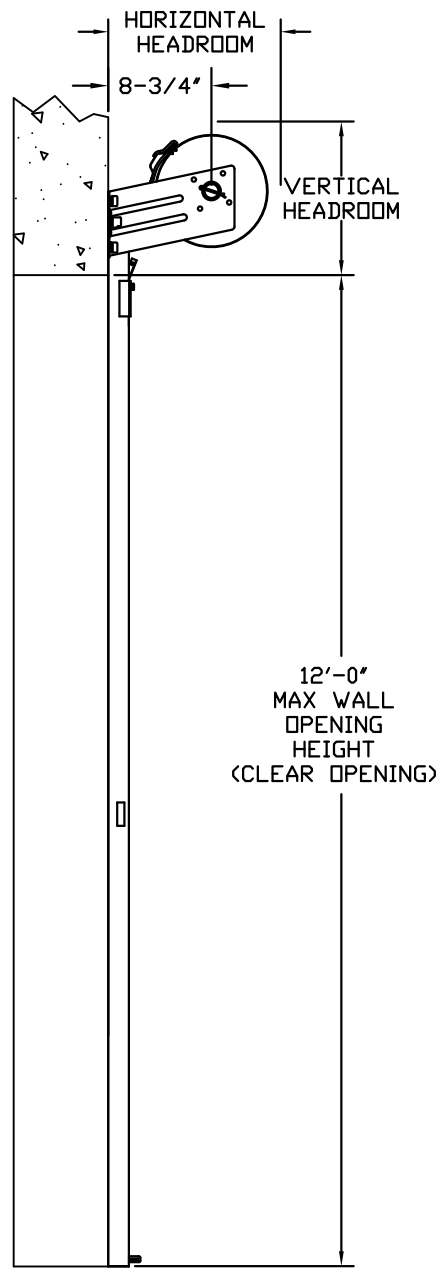
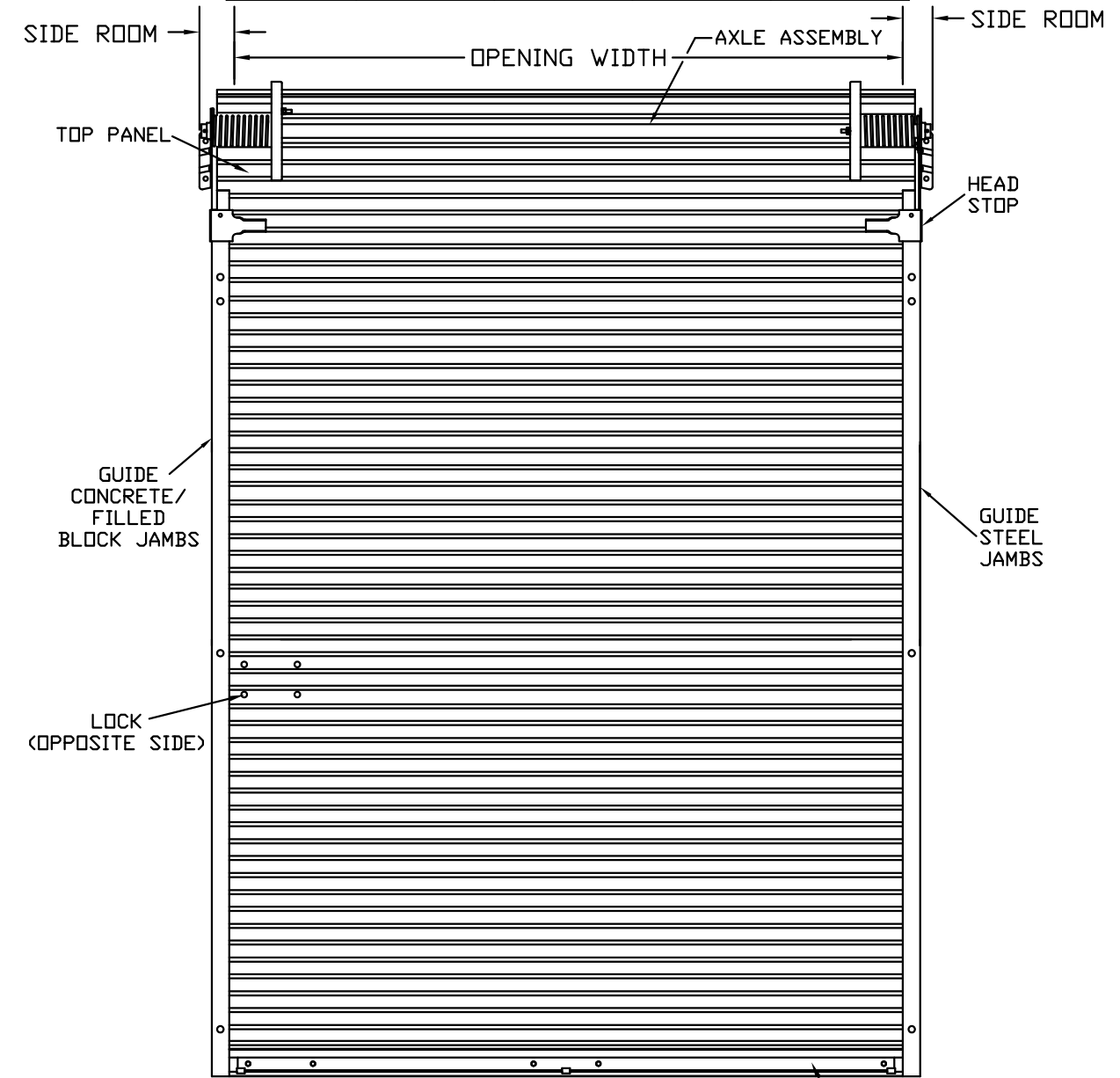


REVISIONS		
NO.	RELEASE PER DRN	DATE

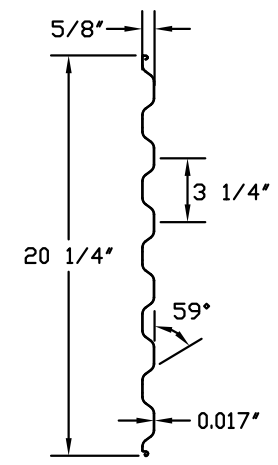
OPENING HEIGHT	MINIMUM DIMENSIONS			
	THRU 7'-4"	OVER 7'-4" THRU 8'-8"	OVER 8'-8" THRU 10'-0"	OVER 10'-0" THRU 12'-0"
VERTICAL HEADROOM	15-1/2"	16"	18"	20"
HORIZONTAL HEADROOM	17"	17-1/2"	19-1/4"	21-1/4"
SIDE ROOM	3-1/4"	3-1/4"	3-1/2"	3-1/2"



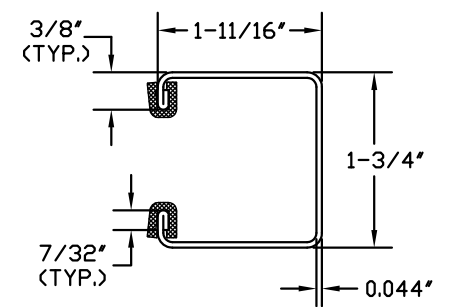
SIDE VIEW



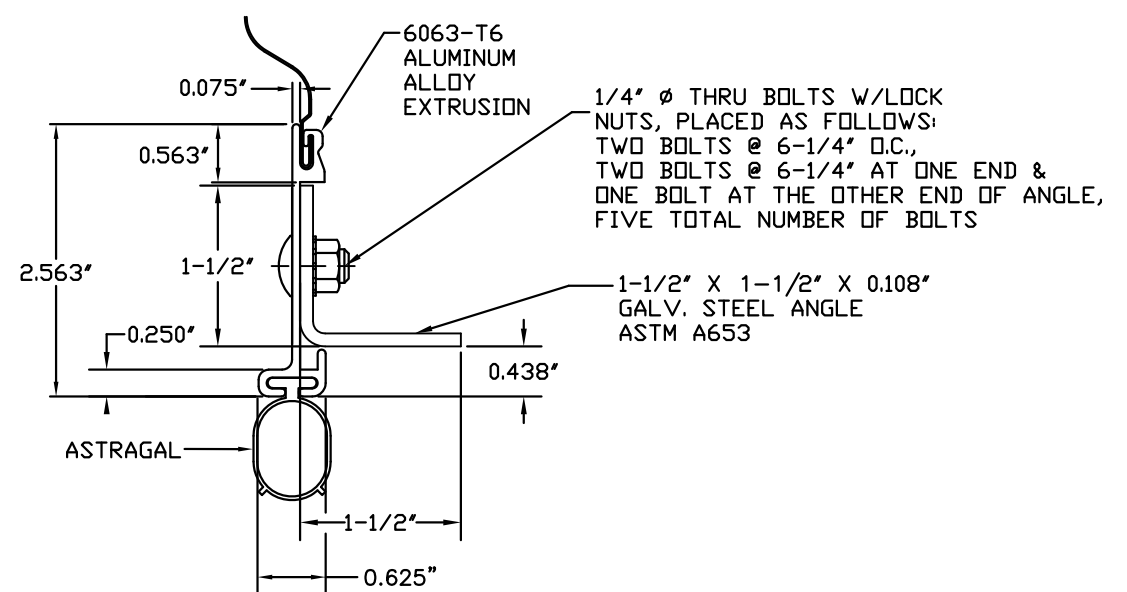
INSIDE ELEVATION



ASTM A653 SS GRADE 80 WITH FULL COAT OF PRIMER AND BAKED POLYESTER FINISH COAT
TYPICAL PANEL (26 GA.) DETAIL



ASTM A653 G40 GALVANIZED CS TYPE B
GUIDE DETAIL



BOTTOM BAR ASSEMBLY DETAIL

JOHN E. SCATES
3121 FAIRGATE
CARROLTON, TX 75007

FL PE 51737
TX PE 56308/F-2203

THESE CONFIDENTIAL DOCUMENTS SUBMITTED BY DBCI CONTAIN INFORMATION OF A PROPRIETARY NATURE AND MAY NOT BE REPRODUCED OR USED TO MANUFACTURE ANYTHING IN PART OR IN WHOLE FOR ANY PURPOSE OTHER THAN THAT WHICH IS NECESSARY FOR PREPARATION OF BIDS OR ENGINEERING WITHOUT THE EXPRESS PERMISSION OF DBCI WHICH MAY RECALL DOCUMENTS AT ANY TIME.

Professional Engineer's seal provided only for verification of windload construction details.

Printed copies of this document are not considered signed and sealed and the signature must be verified on any electronic copies.

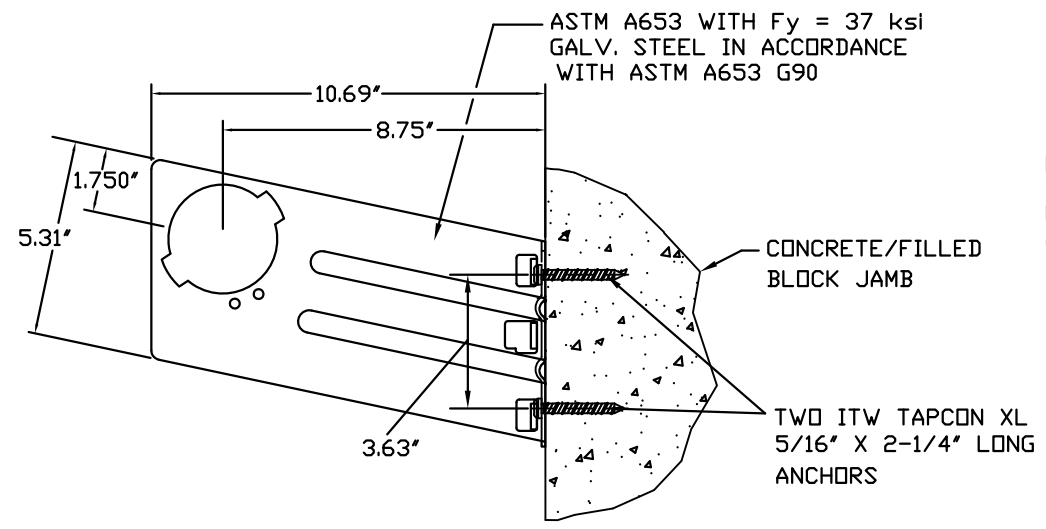
PART NUMBER: N/A	
MATERIAL: N/A	
APPLIED FINISH: N/A	
UNIT OF MEASURE: N/A	
APPROVALS	DATE
DRAWN BRAY ALLEN	8-6-14
CHECKED BRAY ALLEN	8/6/14
APPROVED	

DBCI DOORS & BUILDING COMPONENTS
DOUGLASVILLE, GA CHANDLER, AZ HOUSTON, TX
© 2000 DBCI ALL RIGHTS RESERVED

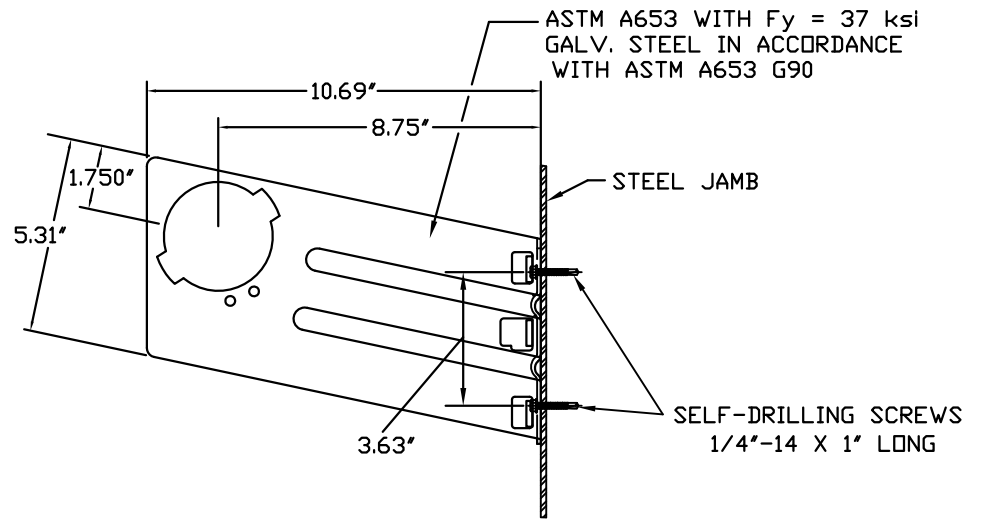
26 GA. WIND LOAD UP TO 8'-8" x 12'-0" SIZE
CURL-LOK K650 SERIES

SIZE B	DRAWING NUMBER -K650-14-0001	REV.
SCALE: NONE	SHEET 1	OF 2

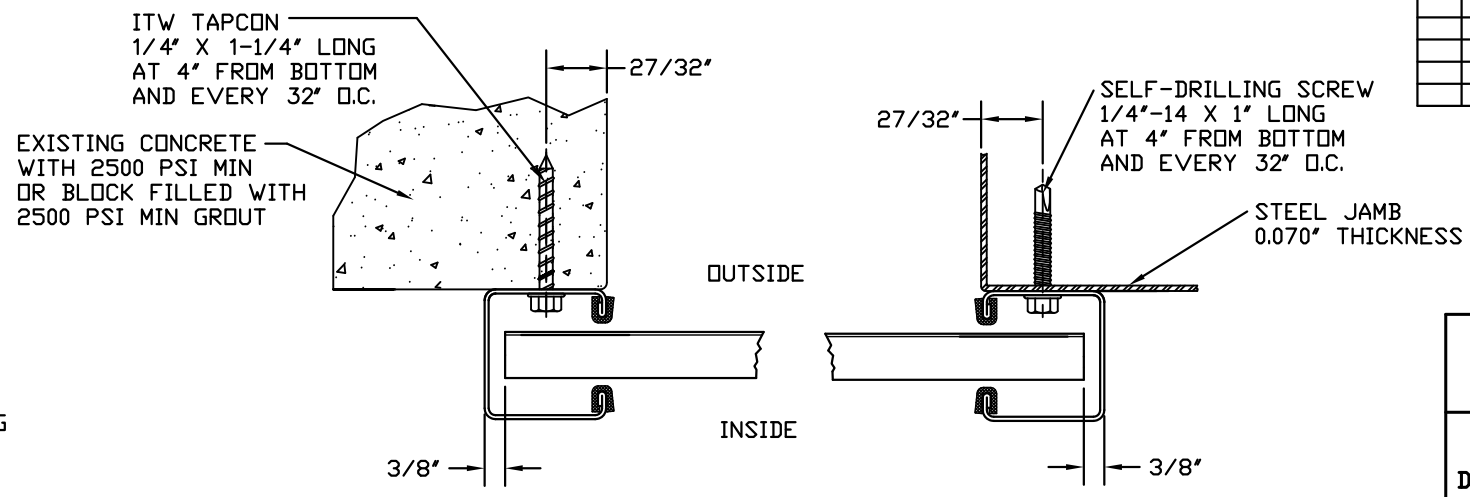
REVISIONS			
REV	DESCRIPTION	DATE	APPROVAL



DOOR MOUNTING BRACKET TO MASONRY DETAIL

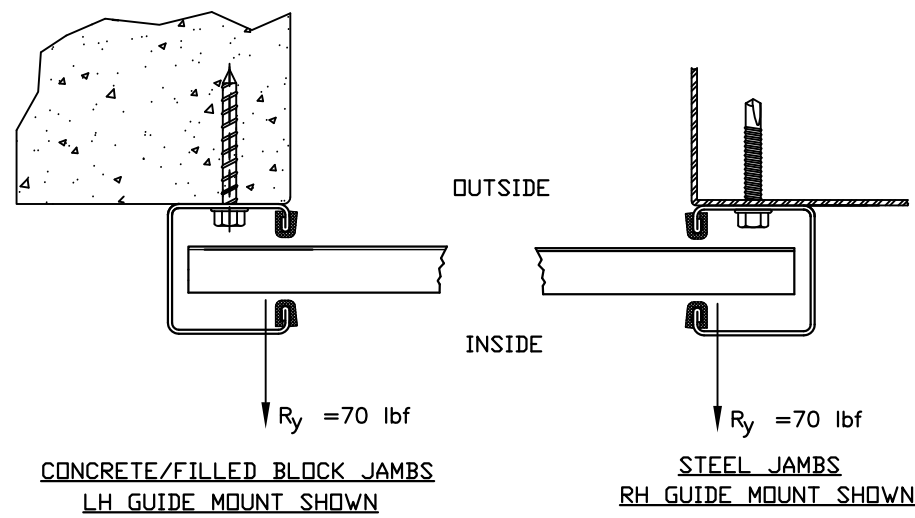


DOOR MOUNTING BRACKET TO STEEL DETAIL



FOR MASONRY JAMBS:
CURTAIN WIDTH=OPENING WIDTH+3'
CONCRETE/FILLED BLOCK JAMBS
LH GUIDE MOUNT SHOWN

FOR STEEL JAMBS:
CURTAIN WIDTH=OPENING WIDTH+3'
STEEL JAMBS
RH GUIDE MOUNT SHOWN



CONCRETE/FILLED BLOCK JAMBS
LH GUIDE MOUNT SHOWN

STEEL JAMBS
RH GUIDE MOUNT SHOWN

SUPERIMPOSED LOAD DIAGRAM

DOOR SCHEDULE	
DOOR WIDTH	DESIGN PRESSURE (PSF)
≤ 3'-0"	+ 35.3
	- 38.4
4'-0"	+ 27.8
	- 30.2
5'-0"	+ 22.8
	- 24.8
6'-0"	+ 19.4
	- 21.1
7'-0"	+ 16.8
	- 18.3
8'-0"	+ 14.9
	- 16.2
8'-8"	+ 13.9
	- 15.1

GENERAL NOTES:

1. THIS DOOR EVALUATED IN ACCORDANCE WITH TEST METHODS ASTM E330-02 AND ANSI/DASMA 108-05.
2. THIS PRODUCT EVALUATION IS GENERIC. IT DOES NOT INCLUDE INFORMATION PREPARED FOR A SPECIFIC SITE.
3. IT IS THE CONTRACTOR'S RESPONSIBILITY TO VERIFY THE STRUCTURAL CAPACITY OF THE SUBSTRATE (JAMB) TO RESIST THE LOADS IMPOSED BY THE ROLL-UP DOOR.
4. ALL DOOR JAMBS (MASONRY OR STEEL) MUST BE DESIGNED TO RESIST THE FORCES SHOWN IN SUPERIMPOSED LOAD DIAGRAM.
5. THE DOOR ASSEMBLY SHALL BE INSTALLED IN ACCORDANCE WITH THE MANUFACTURER'S INSTALLATION INSTRUCTIONS.

<p>JOHN E. SCATES 3121 FAIRGATE CARROLTON, TX 75007</p> <p>FL PE 51737 TX PE 56308/F-2203</p>	<p>THESE CONFIDENTIAL DOCUMENTS SUBMITTED BY DBCI CONTAIN INFORMATION OF A PROPRIETARY NATURE AND MAY NOT BE REPRODUCED OR USED TO MANUFACTURE ANYTHING IN PART OR IN WHOLE FOR ANY PURPOSE OTHER THAN THAT WHICH IS NECESSARY FOR PREPARATION OF BIDS OR ENGINEERING WITHOUT THE EXPRESS PERMISSION OF DBCI WHICH MAY RECALL DOCUMENTS AT ANY TIME.</p>	<p>PART NUMBER: N/A</p>	<p>DBCI DOORS & BUILDING COMPONENTS DOUGLASVILLE, GA CHANDLER, AZ HOUSTON, TX © 2000 DBCI ALL RIGHTS RESERVED</p>								
		<p>MATERIAL: N/A</p>		<p>APPLIED FINISH: N/A</p>							
		<p>UNIT OF MEASURE: N/A</p>	<p>26 GA. WIND LOAD UP TO 8'-8" x 12'-0" SIZE</p> <p>CURL-LOK K650 SERIES</p>								
		<table border="1"> <tr> <th>APPROVALS</th> <th>DATE</th> </tr> <tr> <td>DRAWN BRAY ALLEN</td> <td>8-6-14</td> </tr> <tr> <td>CHECKED BRAY ALLEN</td> <td>8/6/14</td> </tr> <tr> <td>APPROVED</td> <td></td> </tr> </table>		APPROVALS	DATE	DRAWN BRAY ALLEN	8-6-14	CHECKED BRAY ALLEN	8/6/14	APPROVED	
APPROVALS	DATE										
DRAWN BRAY ALLEN	8-6-14										
CHECKED BRAY ALLEN	8/6/14										
APPROVED											
		<p>SCALE: NONE</p>	<p>SHEET 2 OF 2</p>								