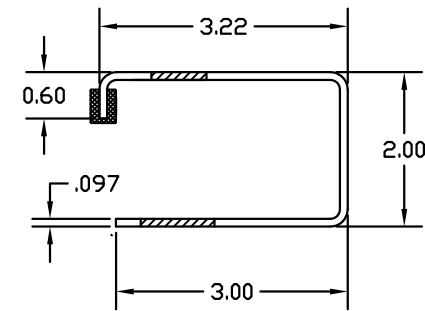


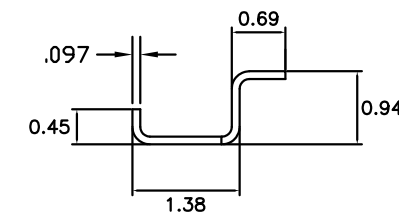
REVISIONS			
RELEASE PER DRN	DATE	APPROVAL	

MINIMUM HEADROOM DIMENSIONS

OPENING HEIGHT	THRU 8'-0"	OVER 8'-0" THRU 10'-0"	OVER 10'-0" THRU 14'-0"	OVER 14'-0" THRU 16'-0"	OVER 16'-0" THRU 18'-0"	OVER 18'-0" THRU 20'-0"
VERTICAL HEADROOM	18"	20"	21"	22"	23"	24"
HORIZONTAL HEADROOM	19"	21"	22"	23"	24"	25"

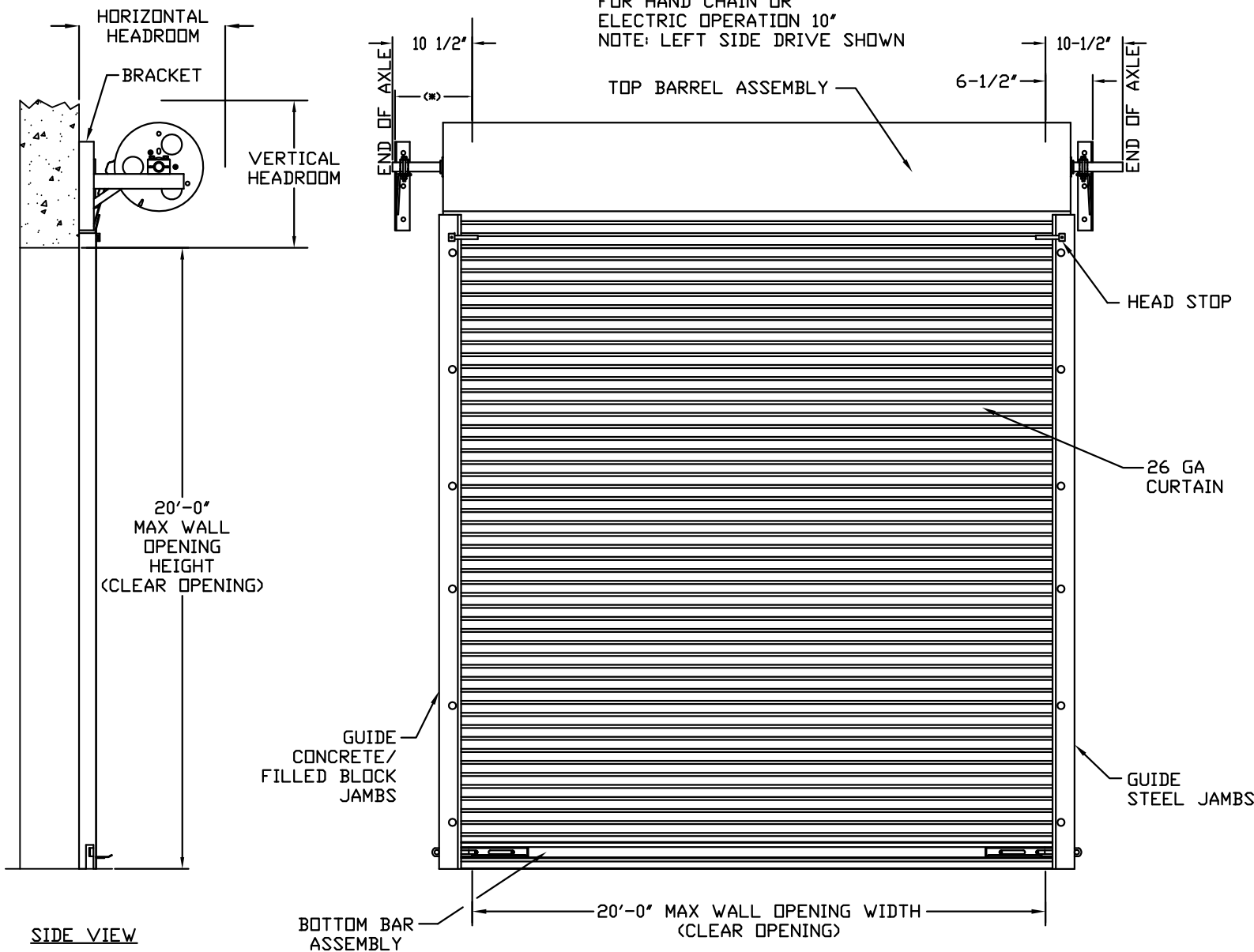


ASTM A653 G40 GALVANIZED CS TYPE B
GUIDE DETAIL



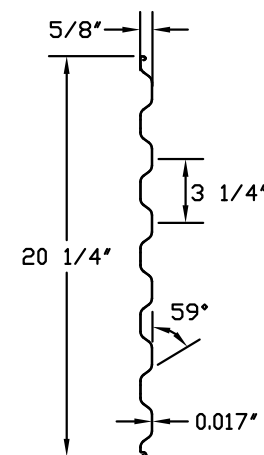
ASTM A653 G40 GALVANIZED CS TYPE B
WINDBAR DETAIL

(*) FOR PUSH-UP OPERATION 6-1/2" FOR HAND CHAIN OR ELECTRIC OPERATION 10" NOTE: LEFT SIDE DRIVE SHOWN



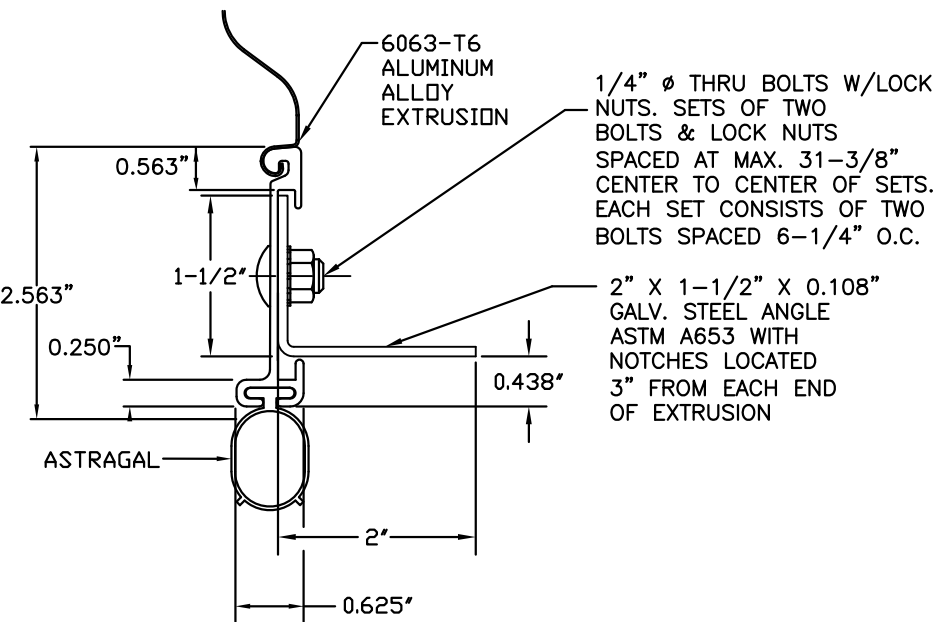
SIDE VIEW

INSIDE ELEVATION

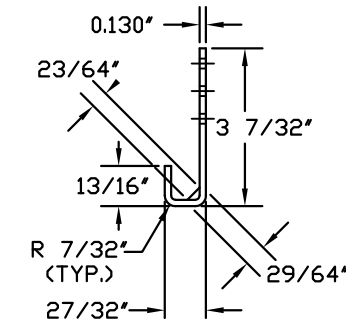
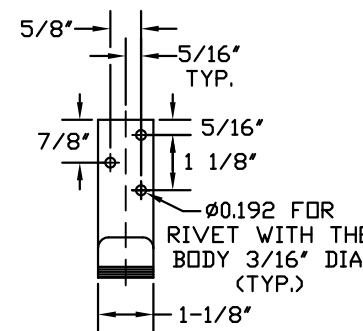


ASTM A653 SS GRADE 80 WITH FULL COAT OF PRIMER AND BAKED POLYESTER FINISH COAT

TYPICAL PANEL (26 GA.) DETAIL

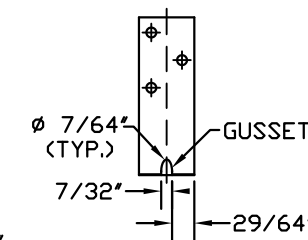


BOTTOM BAR ASSEMBLY DETAIL



ASTM A653 G40 GALVANIZED CS TYPE B

WINDLOCK DETAIL



EACH WINDLOCK IS ATTACHED TO CURTAIN WITH THREE STEEL RIVETS WITH THE BODY 3/16" DIA.

JOHN E. SCATES PE
3121 FAIRGATE
CARROLLTON, TX 75007

FL PE 51737
TX PE 56308/F-2203

THESE CONFIDENTIAL DOCUMENTS SUBMITTED BY DBCI CONTAIN INFORMATION OF A PROPRIETARY NATURE AND MAY NOT BE REPRODUCED OR USED TO MANUFACTURE ANYTHING IN PART OR IN WHOLE FOR ANY PURPOSE OTHER THAN THAT WHICH IS NECESSARY FOR PREPARATION OF BIDS OR ENGINEERING WITHOUT THE EXPRESS PERMISSION OF DBCI WHICH MAY RECALL DOCUMENTS AT ANY TIME.

Professional Engineer's seal provided only for verification of windload construction details.

Printed copies of this document are not considered signed and sealed and the signature must be verified on any electronic copies.

PART NUMBER: N/A	
MATERIAL: N/A	
APPLIED FINISH: N/A	
UNIT OF MEASURE: N/A	
APPROVALS	DATE:
DRAWN BRAY ALLEN	03/17/14
CHECKED	
APPROVED	

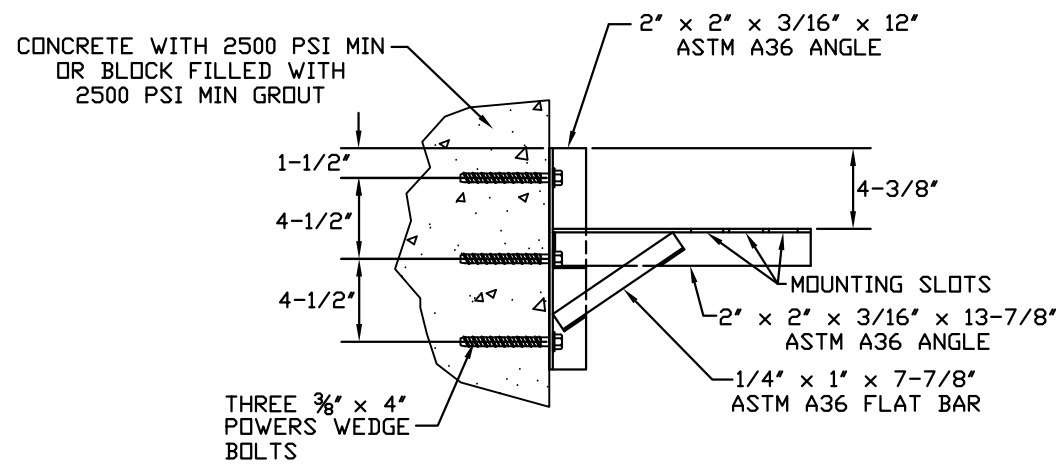
DBCI DOORS & BUILDING COMPONENTS
DOUGLASVILLE, GA CHANDLER, AZ HOUSTON, TX
© 2000 DBCI ALL RIGHTS RESERVED

26 GA. WIND LOAD, MAX. SIZE 20'-0" x 20'-0"

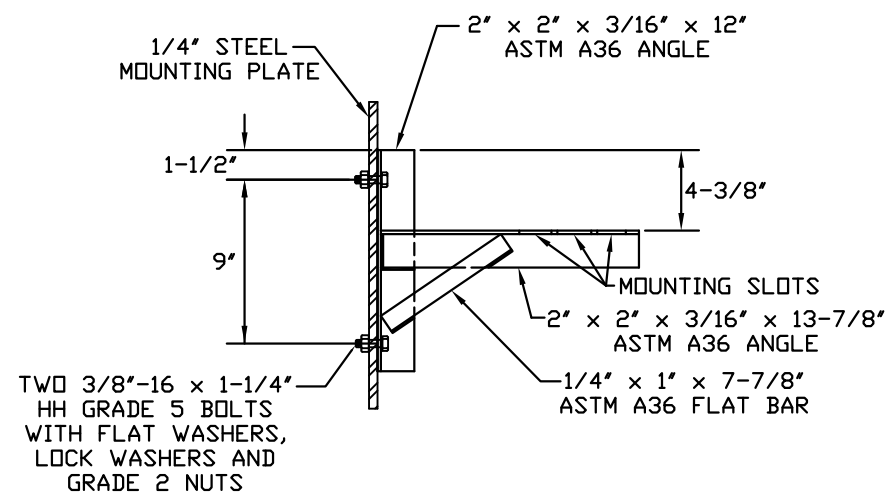
CURL-LOK K5000 SHEET DOOR

SIZE B	DRAWING NUMBER -K5000-08-0001	REV.
SCALE: NONE	SHEET 1	OF 2

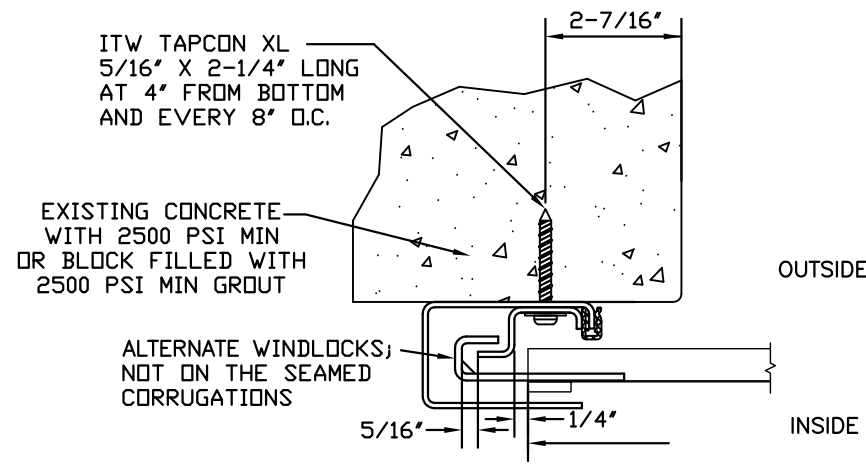
REVISIONS				
NO.	RELEASE PER	DRN	DATE	APPROVAL



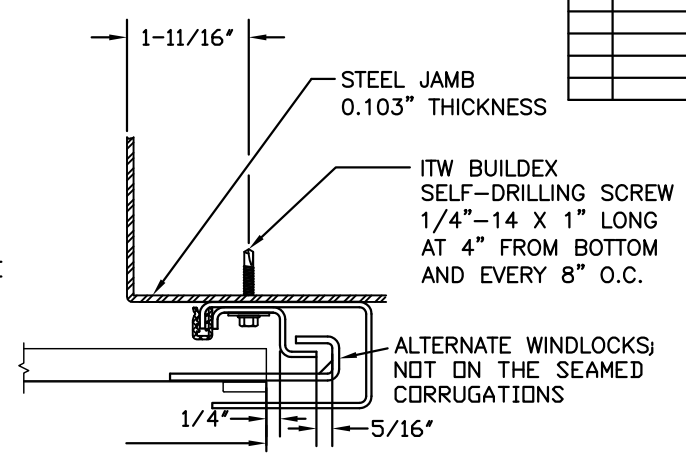
DOOR MOUNTING BRACKET TO MASONRY DETAIL



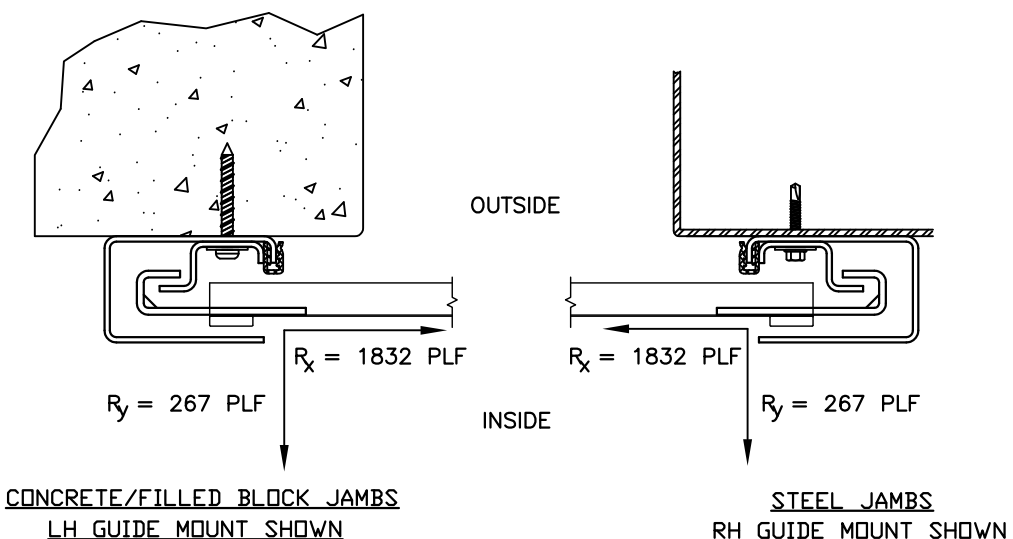
DOOR MOUNTING BRACKET TO STEEL DETAIL



FOR MASONRY JAMBS:
CURTAIN WIDTH=OPENING WIDTH+6"
CONCRETE/FILLED BLOCK JAMBS
LH GUIDE MOUNT SHOWN



FOR STEEL JAMBS:
CURTAIN WIDTH=OPENING WIDTH+4.5"
STEEL JAMBS
RH GUIDE MOUNT SHOWN



SUPERIMPOSED LOAD DIAGRAM

DOOR SCHEDULE	
DOOR WIDTH	DESIGN PRESSURE (PSF)
≤ 10'-0"	+ 43.7
	- 50.0
11'-0"	+ 39.9
	- 45.7
12'-0"	+ 36.8
	- 42.1
13'-0"	+ 34.1
	- 39.0
14'-0"	+ 31.7
	- 36.3
15'-0"	+ 29.7
	- 34.0
16'-0"	+ 28.0
	- 32.0
17'-0"	+ 25.4
	- 29.1
18'-0"	+ 23.2
	- 26.6
19'-0"	+ 21.3
	- 24.4
20'-0"	+ 19.7
	- 22.6

GENERAL NOTES:

1. THIS DOOR EVALUATED IN ACCORDANCE WITH TEST METHODS ASTM E330-02 AND ANSI/DASMA 108-05.
2. THIS PRODUCT EVALUATION IS GENERIC. IT DOES NOT INCLUDE INFORMATION PREPARED FOR A SPECIFIC SITE.
3. IT IS THE CONTRACTOR'S RESPONSIBILITY TO VERIFY THE STRUCTURAL CAPACITY OF THE SUBSTRATE (JAMB) TO RESIST THE LOADS IMPOSED BY THE ROLL-UP DOOR.
4. ALL DOOR JAMBS (MASONRY OR STEEL) MUST BE DESIGNED TO RESIST THE FORCES SHOWN IN SUPERIMPOSED LOAD DIAGRAM.
5. THE DOOR ASSEMBLY SHALL BE INSTALLED IN ACCORDANCE WITH THE MANUFACTURER'S INSTALLATION INSTRUCTIONS.

JOHN E. SCATES PE 3121 FAIRGATE CARROLLTON, TX 75007 FL PE 51737 TX PE 56308/F-2203	THESE CONFIDENTIAL DOCUMENTS SUBMITTED BY DBCI CONTAIN INFORMATION OF A PROPRIETARY NATURE AND MAY NOT BE REPRODUCED OR USED TO MANUFACTURE ANYTHING IN PART OR IN WHOLE FOR ANY PURPOSE OTHER THAN THAT WHICH IS NECESSARY FOR PREPARATION OF BIDS OR ENGINEERING WITHOUT THE EXPRESS PERMISSION OF DBCI WHICH MAY RECALL DOCUMENTS AT ANY TIME.	PART NUMBER: N/A MATERIAL: N/A APPLIED FINISH: N/A UNIT OF MEASURE: N/A	DOORS & BUILDING COMPONENTS DOUGLASVILLE, GA CHANDLER, AZ HOUSTON, TX © 2000 DBCI ALL RIGHTS RESERVED 26 GA. WIND LOAD, MAX. SIZE 20'-0" x 20'-0" CURL-LOK K5000 SHEET DOOR
	APPROVALS: _____ DATE: _____ DRAWN: BRAY ALLEN 03/17/14 CHECKED: BRAY ALLEN APPROVED: _____	SIZE: B DRAWING NUMBER: -K5000-08-0001 REV. _____ SCALE: NONE SHEET 2 OF 2	