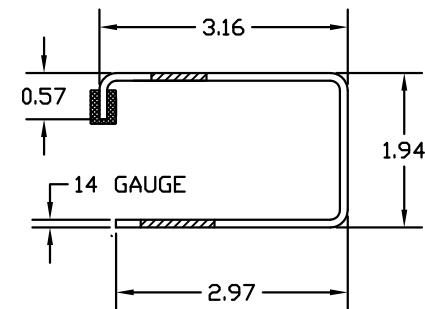


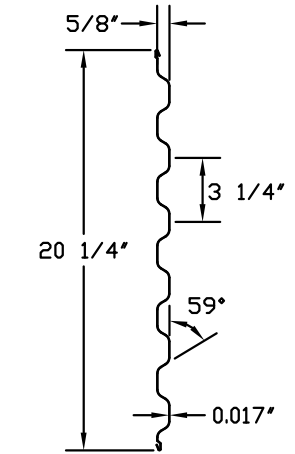
REVISIONS			
REV	DESCRIPTION	DATE	APPROVAL
1	MODIFIED FOR TDI	1-31-14	BA

MINIMUM HEADROOM DIMENSIONS

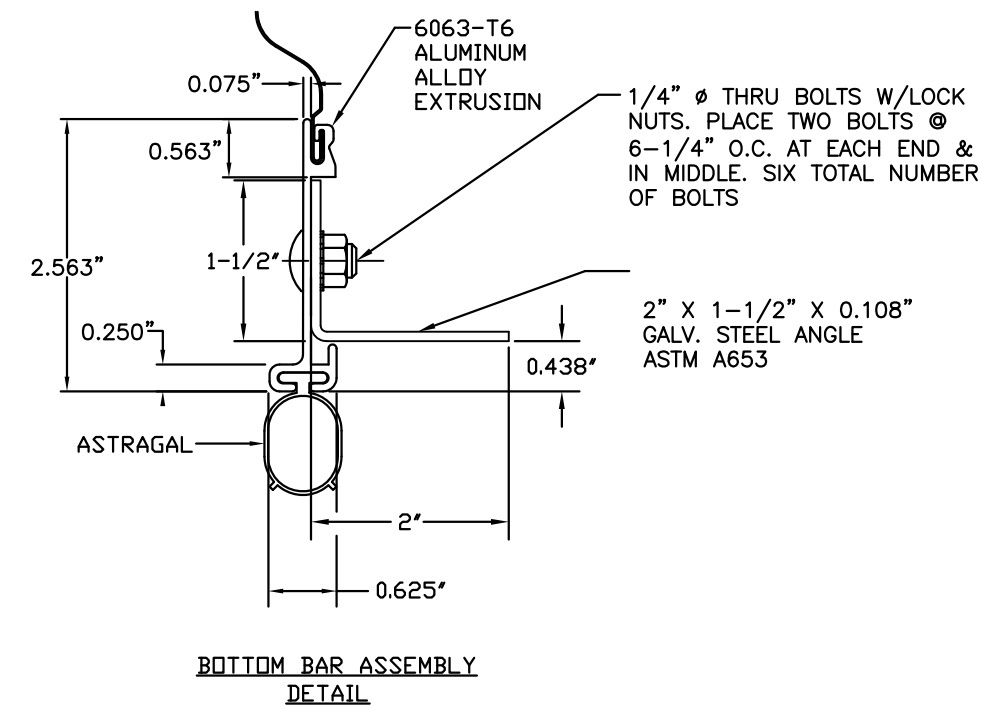
OPENING HEIGHT	THRU 8'-0"	OVER 8'-0" THRU 10'-0"	OVER 10'-0" THRU 14'-0"	OVER 14'-0" THRU 16'-0"	OVER 16'-0" THRU 18'-0"	OVER 18'-0" THRU 20'-0"
VERTICAL HEADROOM	18"	20"	21"	22"	23"	24"
HORIZONTAL HEADROOM	19"	21"	22"	23"	24"	25"



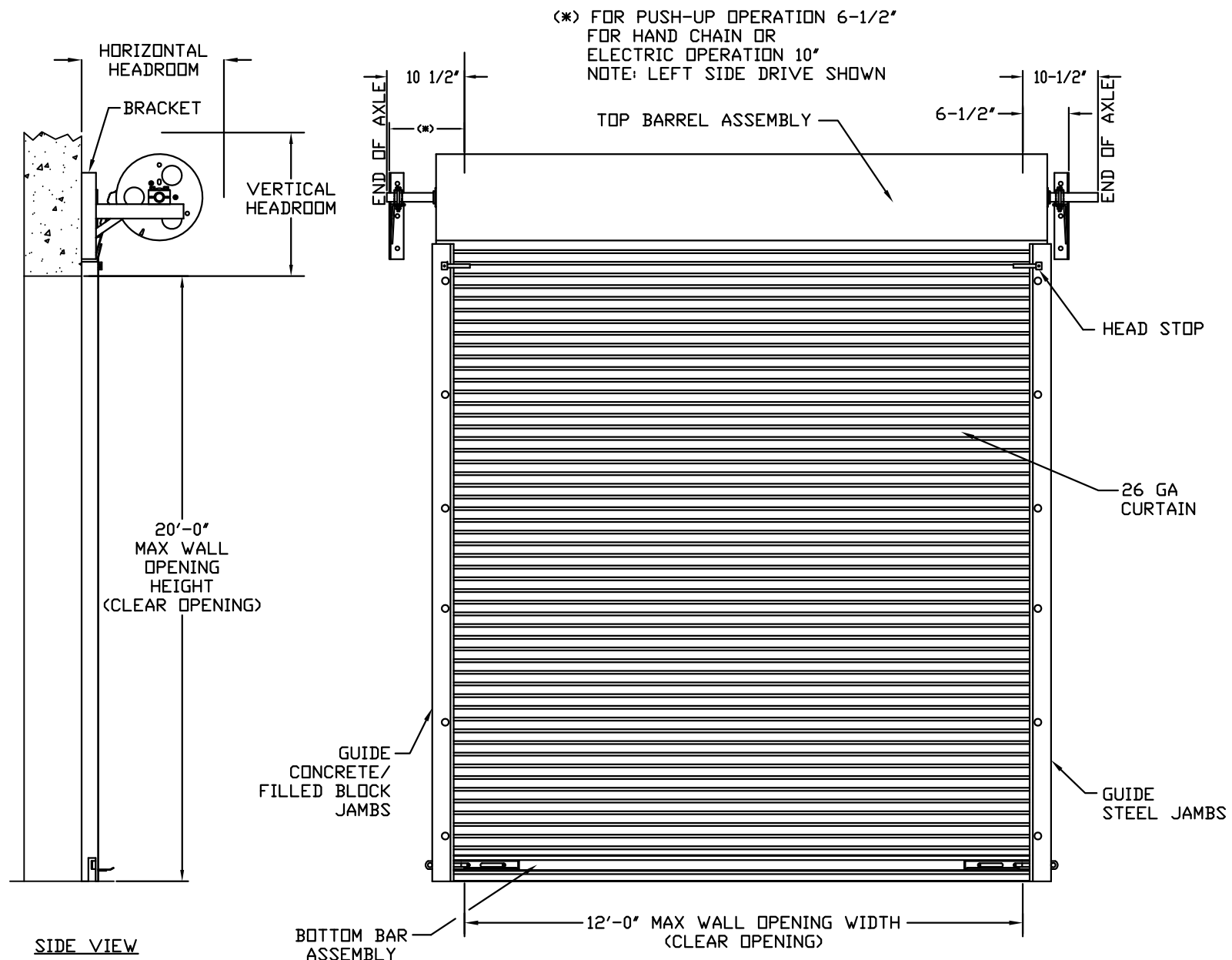
ASTM A653 G40 GALVANIZED CS TYPE B
GUIDE DETAIL



ASTM A653 SS GRADE 80 WITH FULL COAT OF PRIMER AND BAKED POLYESTER FINISH COAT
TYPICAL PANEL (26 GA.) DETAIL



BOTTOM BAR ASSEMBLY DETAIL



(*) FOR PUSH-UP OPERATION 6-1/2" FOR HAND CHAIN OR ELECTRIC OPERATION 10" NOTE: LEFT SIDE DRIVE SHOWN

INSIDE ELEVATION

JOHN E. SCATES PE
3121 FAIRGATE
CARROLLTON, TX 75007

FL PE 51737
TX PE 56308/F-2203

THESE CONFIDENTIAL DOCUMENTS SUBMITTED BY DBCI CONTAIN INFORMATION OF A PROPRIETARY NATURE AND MAY NOT BE REPRODUCED OR USED TO MANUFACTURE ANYTHING IN PART OR IN WHOLE FOR ANY PURPOSE OTHER THAN THAT WHICH IS NECESSARY FOR PREPARATION OF BIDS OR ENGINEERING WITHOUT THE EXPRESS PERMISSION OF DBCI WHICH MAY RECALL DOCUMENTS AT ANY TIME.

Professional Engineer's seal provided only for verification of windload construction details.

Printed copies of this document are not considered signed and sealed and the signature must be verified on any electronic copies.

PART NUMBER: N/A	
MATERIAL: N/A	
APPLIED FINISH: N/A	
UNIT OF MEASURE: N/A	
APPROVALS	DATE
DRAWN: BRAY ALLEN	11/14/08
CHECKED: BRAY ALLEN	11/14/08
APPROVED:	

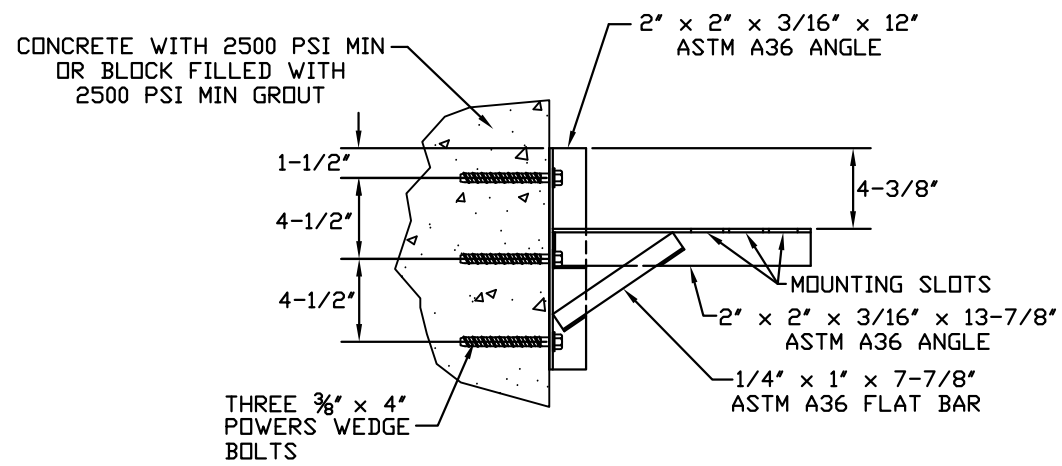
DBCI DOORS & BUILDING COMPONENTS
DOUGLASVILLE, GA CHANDLER, AZ HOUSTON, TX
© 2000 DBCI ALL RIGHTS RESERVED

26 GA. WIND LOAD, MAX. SIZE 12'-0" x 20'-0"

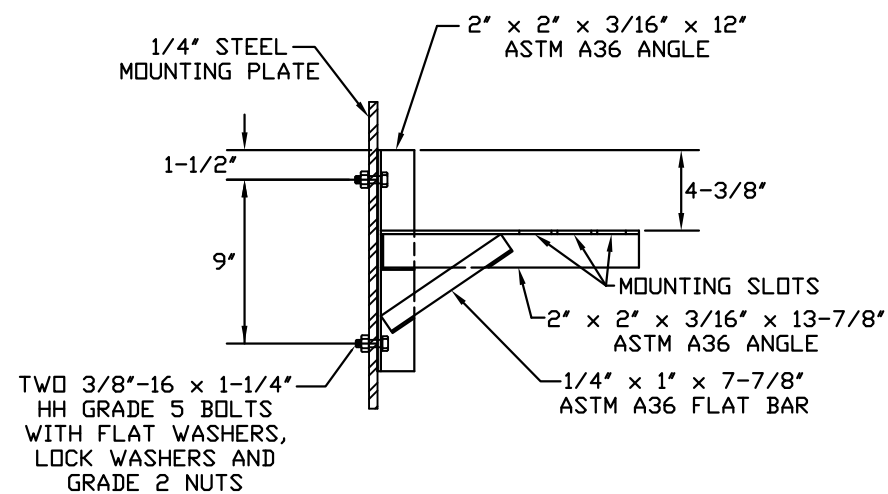
SERIES 2400/2500 DOOR ASSEMBLY

SIZE: B	DRAWING NUMBER: -2500-08-0001	REV. 1
SCALE: NONE	SHEET 1 OF 2	

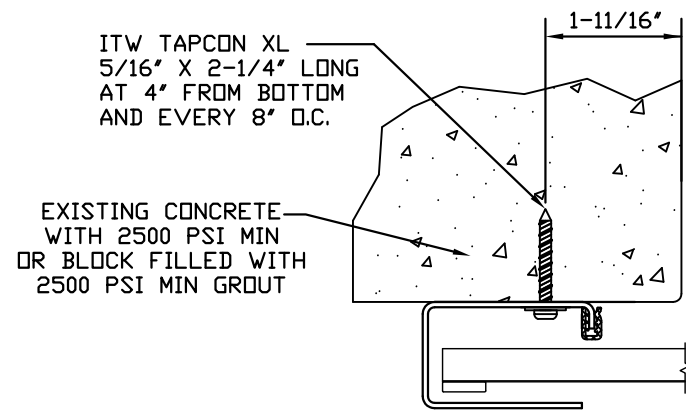
REVISIONS			
REV	DESCRIPTION	DATE	APPROVAL
1	MODIFIED FOR TDI	1-31-14	BA



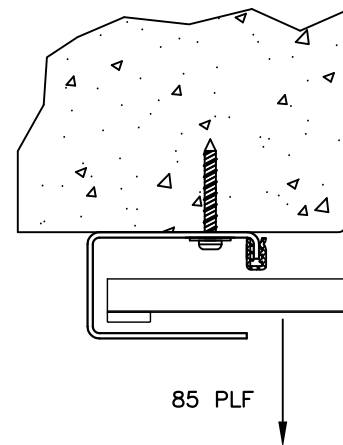
DOOR MOUNTING BRACKET TO MASONRY DETAIL



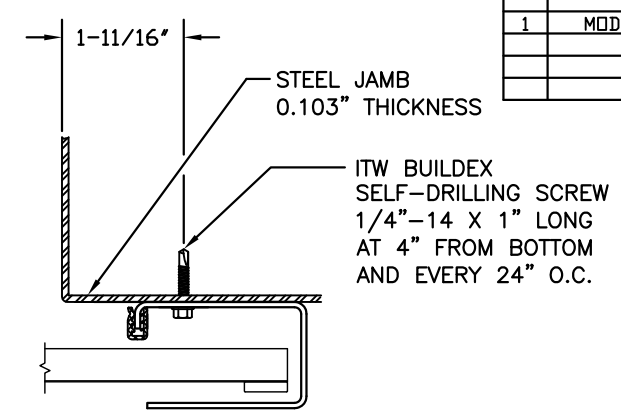
DOOR MOUNTING BRACKET TO STEEL DETAIL



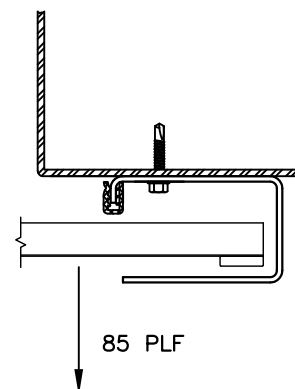
FOR MASONRY JAMBS:
CURTAIN WIDTH=OPENING WIDTH+6"
CONCRETE/FILLED BLOCK JAMBS
LH GUIDE MOUNT SHOWN



CONCRETE/FILLED BLOCK JAMBS
LH GUIDE MOUNT SHOWN



FOR STEEL JAMBS:
CURTAIN WIDTH=OPENING WIDTH+4.5"
STEEL JAMBS
RH GUIDE MOUNT SHOWN



STEEL JAMBS
RH GUIDE MOUNT SHOWN

SUPERIMPOSED LOAD DIAGRAM

DOOR SCHEDULE	
DOOR WIDTH	DESIGN PRESSURE (PSF)
≤ 3'-0"	+39.6
	-46.2
4'-0"	+31.1
	-36.3
5'-0"	+25.6
	-29.9
6'-0"	+21.7
	-25.4
7'-0"	+18.9
	-22.1
8'-0"	+16.7
	-19.5
9'-0"	+15.0
	-17.5
10'-0"	+13.6
	-15.9
11'-0"	+12.4
	-14.5
12'-0"	+11.5
	-13.4

GENERAL NOTES:

1. THIS DOOR EVALUATED IN ACCORDANCE WITH TEST METHODS ASTM E330-02 AND ANSI/DASMA 108-05.
2. THIS PRODUCT EVALUATION IS GENERIC. IT DOES NOT INCLUDE INFORMATION PREPARED FOR A SPECIFIC SITE.
3. IT IS THE CONTRACTOR'S RESPONSIBILITY TO VERIFY THE STRUCTURAL CAPACITY OF THE SUBSTRATE (JAMB) TO RESIST THE LOADS IMPOSED BY THE ROLL-UP DOOR.
4. ALL DOOR JAMBS (MASONRY OR STEEL) MUST BE DESIGNED TO RESIST THE FORCES SHOWN IN SUPERIMPOSED LOAD DIAGRAM.
5. THE DOOR ASSEMBLY SHALL BE INSTALLED IN ACCORDANCE WITH THE MANUFACTURER'S INSTALLATION INSTRUCTIONS.

JOHN E. SCATES PE 3121 FAIRGATE CARROLLTON, TX 75007 FL PE 51737 TX PE 56308/F-2203	THESE CONFIDENTIAL DOCUMENTS SUBMITTED BY DBCI CONTAIN INFORMATION OF A PROPRIETARY NATURE AND MAY NOT BE REPRODUCED OR USED TO MANUFACTURE ANYTHING IN PART OR IN WHOLE FOR ANY PURPOSE OTHER THAN THAT WHICH IS NECESSARY FOR PREPARATION OF BIDS OR ENGINEERING WITHOUT THE EXPRESS PERMISSION OF DBCI WHICH MAY RECALL DOCUMENTS AT ANY TIME.	PART NUMBER: N/A MATERIAL: N/A APPLIED FINISH: N/A UNIT OF MEASURE: N/A	DOORS & BUILDING COMPONENTS DOUGLASVILLE, GA CHANDLER, AZ HOUSTON, TX © 2000 DBCI ALL RIGHTS RESERVED 26 GA. WIND LOAD, MAX. SIZE 12'-0" x 20'-0" SERIES 2400/2500 DOOR ASSEMBLY
	APPROVALS: _____ DATE: _____ DRAWN: BRAY ALLEN 11/14/08 CHECKED: BRAY ALLEN 11/14/08 APPROVED: _____	SIZE: B DRAWING NUMBER: -2500-08-0001 REV. 1 SCALE: NONE SHEET 2 OF 2	