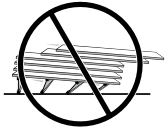


## EverEdge™ Series

# INSTALLATION GUIDE

For Floor and Roof Framing with EverEdge™ LVL and  
EEI™ 20, EEI™ 30, EEI™ 50 and EEI™ 60 Joists



**WARNING:**

**DO NOT** stack building materials on unbraced joists. Stack only over beams or walls.



**WARNING:**

**DO NOT** walk on joists that are lying flat.



**WARNING:**

**DO NOT** walk on joists until braced. **INJURY MAY RESULT.**

Distributed by



U.S. LUMBER

For Sales and  
Technical Support:

1.888.613.5078

uslumber.com

ewpteam@uslumber.com

Reorder EE-9001 • September 2016

## **IMPORTANT: PLEASE READ CAREFULLY!**

**WARNING:**

### **JOISTS ARE UNSTABLE UNTIL BRACED Laterally**

**BRACING INCLUDES:** Blocking, Hangers, Rim Board, Sheathing, Rim Joist, Strut Lines

Lack of proper bracing during construction can result in serious accidents. Observe the following guidelines:

1. Properly install all blocking, hangers, rim boards, and rim joists at EEI™ joist end supports.
2. Establish a permanent deck (sheathing), fastened to the first 4 feet of joists at the end of the bay or braced end wall.
3. Safety bracing of 1x4 (minimum) must be nailed to a braced end wall or sheathed area and to each joist.
4. Sheathing must be completely attached to each EEI™ joist before additional loads can be placed on the system.
5. Ends of cantilevers require safety bracing on both the top and bottom flanges.
6. The flanges must remain straight within ½" from true alignment.

*This guide is intended for the products shown  
in dry-use conditions.*

**ADVERTENCIA:**

### **LAS VIGUETAS SON INESTABLES HASTA QUE SEAN REFORZADAS LATERALMENTE**

**LOS REFUERZOS INCLUYEN:** Bloqueo, soportes metálicos, puntales, revestimiento, tablas perimetrales, viguetas perimetrales.

El uso inadecuado de refuerzos durante la construcción puede ocasionar accidentes graves. Observe las siguientes recomendaciones:

1. Instale adecuadamente todo: bloques, soportes metálicos, tabla perimetral y vigueta perimetral en los apoyos extremos de la vigueta EEI™.
2. Establezca una cubierta (revestimiento) permanente, sujetado sobre los primeros 4 pies de las viguetas al final del panel o de la pared apuntalada.
3. Tirantes de seguridad de 1x4 (mínimo) deben de estar clavados a una pared apuntalada o al revestimiento y a cada vigueta.
4. El revestimiento debe de estar completamente sujetado a cada vigueta EEI™ antes de aplicarse cargas adicionales sobre el sistema.
5. Los extremos de los voladizos requieren refuerzos temporales en ambos patines.
6. Los patines deben mantenerse verticalmente a no más de ½" fuera de plomo.

*Este manual es válido únicamente para  
los productos mostrados, en uso seco.*

## Allowable Holes:

EverEdge™ Series EEI™ Joists	1
EverEdge™ Series LVL	2
Floor Panel Installation Recommendations	2
EEI™ Joist Nailing Requirements at Bearing (Floor)	2
EEI™ Joist Floor Framing	3
Fastening of Floor Panels	3
Rim Board Installation	4
Floor Details	4
Cantilever Details	5
Filler and Backer Blocks	5

Web Stiffeners	6
Typical Roof and Wall Framing	6
Ceiling Joists	6
Roof Details	7
Framing Connectors	8
Shear Blocking and Ventilation Holes	8
EEI™ Joist Nailing Requirements at Bearing (Roof)	8
Beam and Column Details	9
Beam and Header Bearings	9

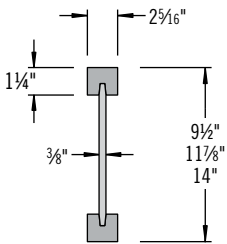
### BUILD SAFELY

We at Weyerhaeuser are committed to working safely and want to remind you to do the same. We encourage you to follow the recommendations of OSHA ([www.osha.gov](http://www.osha.gov)) in the U.S. or provincial regulations ([www.canoshweb.org/en/](http://www.canoshweb.org/en/)) in Canada regarding:

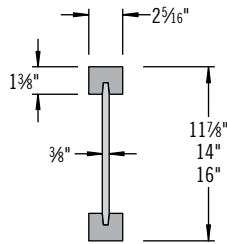
- Personal protective equipment (PPE) for hands, feet, head, and eyes
- Fall protection
- Use of pneumatic nailers and other hand tools
- Forklift safety

Please adhere to the Weyerhaeuser product installation details, including the installation of safety bracing on unsheathed floors and roofs.

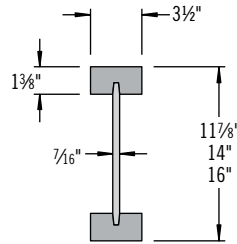
## PRODUCT IDENTIFICATION



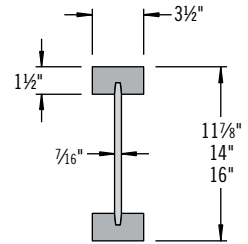
EEI™ 20 joists



EEI™ 30 joists



EEI™ 50 joists

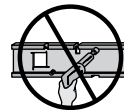


EEI™ 60 joists

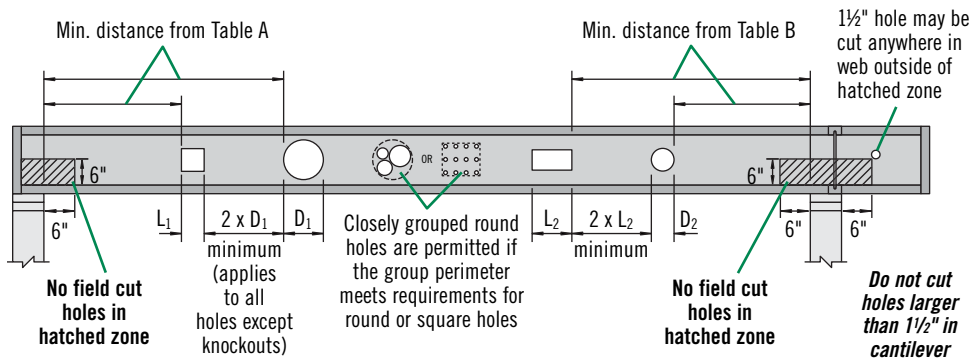
# ALLOWABLE HOLES: EEI™ JOISTS



**DO NOT** cut holes in cantilever reinforcement.



**DO NOT** cut or notch flange.



**Table A—End Support:** Minimum distance from edge of hole to inside face of nearest end support

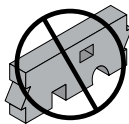
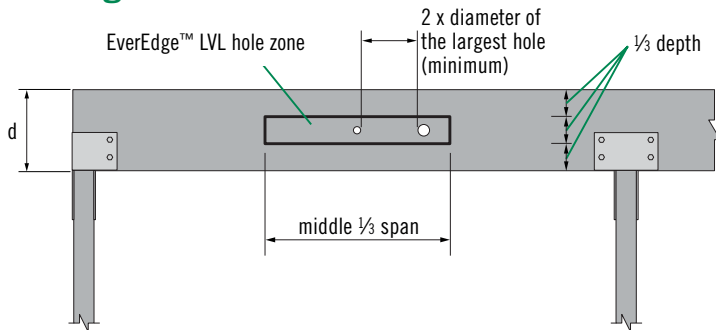
Joist Depth	EEI™	Round Hole Size							Square or Rectangular Hole Size						
		2"	3"	4"	6½"	8½"	11"	13"	2"	3"	4"	6½"	8½"	11"	13"
9½"	20	1'-6"	2'-0"	2'-6"	6'-0"				1'-0"	2'-0"	3'-0"	5'-0"			
11½"	20	1'-6"	1'-6"	2'-0"	3'-6"	6'-6"			1'-0"	2'-0"	2'-6"	5'-0"	7'-0"		
	30	1'-6"	2'-6"	3'-0"	4'-6"	7'-6"			1'-6"	2'-6"	3'-6"	6'-6"	7'-6"		
	50	2'-0"	3'-0"	3'-6"	5'-6"	8'-6"			2'-6"	3'-6"	4'-6"	7'-0"	8'-0"		
	60	2'-0"	2'-6"	3'-6"	5'-6"				3'-0"	3'-6"	4'-6"	7'-0"			
14"	20	1'-0"	1'-0"	1'-6"	2'-6"	4'-0"	7'-0"		1'-0"	1'-0"	2'-0"	4'-0"	6'-6"	9'-0"	
	30	1'-0"	1'-6"	2'-0"	3'-6"	5'-6"	8'-6"		1'-0"	1'-6"	2'-6"	5'-6"	8'-0"	9'-6"	
	50	1'-0"	1'-6"	2'-6"	4'-6"	7'-0"	9'-6"		1'-6"	3'-0"	4'-0"	7'-0"	9'-0"	10'-0"	
	60	1'-0"	1'-6"	2'-6"	4'-6"	7'-0"			2'-0"	3'-0"	4'-0"	6'-6"	8'-6"		
16"	30	1'-0"	1'-0"	1'-0"	2'-6"	4'-6"	6'-6"	9'-6"	1'-0"	1'-0"	1'-6"	4'-6"	8'-6"	10'-0"	11'-6"
	50	1'-0"	1'-0"	1'-0"	3'-0"	5'-6"	7'-6"	10'-6"	1'-0"	2'-0"	3'-0"	6'-6"	10'-0"	11'-0"	12'-0"
	60	1'-0"	1'-0"	2'-0"	3'-6"	5'-6"	8'-0"		1'-6"	2'-6"	3'-6"	6'-0"	9'-6"	10'-6"	

**Table B—Intermediate or Cantilever Support:** Minimum distance from edge of hole to inside face of nearest intermediate or cantilever support

Joist Depth	EEI™	Round Hole Size							Square or Rectangular Hole Size						
		2"	3"	4"	6½"	8½"	11"	13"	2"	3"	4"	6½"	8½"	11"	13"
9½"	20	2'-6"	3'-6"	4'-0"	8'-6"				2'-0"	3'-0"	4'-0"	7'-6"			
11½"	20	1'-6"	2'-0"	3'-0"	5'-0"	10'-0"			1'-0"	2'-6"	3'-6"	8'-0"	10'-6"		
	30	2'-0"	3'-6"	4'-6"	7'-0"	11'-0"			2'-0"	3'-6"	5'-0"	9'-6"	11'-0"		
	50	2'-0"	3'-6"	5'-0"	8'-0"	12'-6"			3'-0"	4'-6"	6'-0"	10'-6"	12'-0"		
	60	2'-6"	4'-0"	5'-0"	8'-0"				4'-0"	5'-0"	6'-6"	10'-0"			
14"	20	1'-0"	1'-0"	1'-6"	3'-6"	6'-0"	10'-6"		1'-0"	1'-0"	2'-6"	6'-0"	10'-6"	13'-0"	
	30	1'-0"	1'-6"	2'-6"	5'-6"	9'-0"	12'-6"		1'-0"	2'-0"	3'-6"	8'-6"	12'-0"	14'-0"	
	50	1'-0"	1'-0"	2'-6"	6'-6"	10'-0"	14'-0"		1'-0"	3'-0"	5'-0"	10'-0"	13'-6"	15'-0"	
	60	1'-0"	2'-0"	3'-6"	7'-0"	10'-0"			2'-6"	4'-6"	6'-0"	10'-0"	12'-6"		
16"	30	1'-0"	1'-0"	1'-0"	4'-0"	7'-0"	10'-0"	14'-0"	1'-0"	1'-0"	1'-6"	7'-0"	13'-0"	14'-6"	17'-0"
	50	1'-0"	1'-0"	1'-0"	3'-6"	7'-6"	11'-6"	15'-6"	1'-0"	1'-0"	3'-6"	9'-0"	14'-6"	16'-0"	18'-0"
	60	1'-0"	1'-0"	1'-6"	5'-0"	8'-6"	12'-0"		1'-0"	3'-0"	5'-0"	9'-6"	14'-0"	15'-6"	

- Leave 1/8" of web (minimum) at top and bottom of hole. **DO NOT** cut joist flanges.
- Tables are based on uniform load tables in current design literature.
- For simple span (5' minimum), uniformly loaded joists used in residential applications, one maximum size round hole may be located at the center of the joist span **provided that no other holes occur in the joist.**

## EverEdge™ LVL



**DO NOT cut, notch, or drill holes in headers or beams except as indicated in the illustration and table.**

EverEdge™ LVL Hole Depth	Maximum Round Hole Size
5½"	1¾"
7¼"–24"	2"

- See illustration for allowed hole zone.

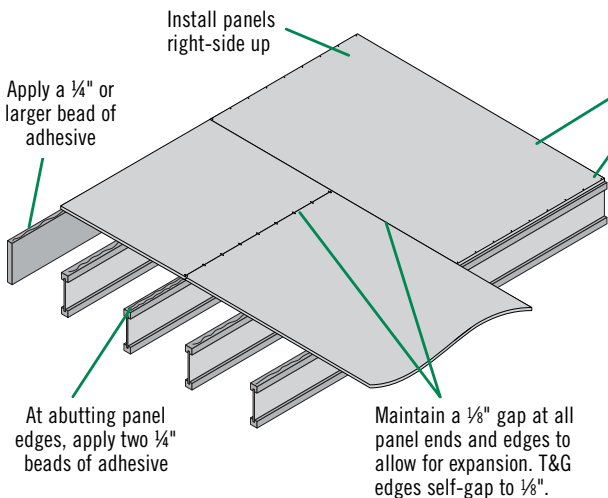
### GENERAL NOTES

- Allowed hole zone suitable for headers and beams with **uniform loads only**.
- No holes in cantilevers.
- Round holes only.
- No holes in headers or beams in plank orientation.

## FLOOR PANEL INSTALLATION RECOMMENDATIONS

### RECOMMENDED COMPONENTS

- EEI™ joists
- 1½" Weyerhaeuser Rim Board



### RECOMMENDED ADHESIVES

- Weyerhaeuser recommends using solvent-based subfloor adhesives that meet ASTM D3498 (AFG-01) performance standards. When latex subfloor adhesive is required, careful selection is necessary due to a wide range of performance between brands.

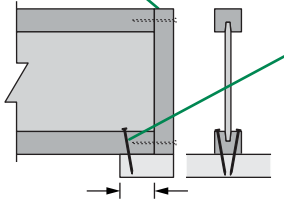
Nail panel to joist at 12" on-center in field and 6" on-center along panel edges. Apply fasteners 3/8" from panel edges.

- For ¾" panels, use 8d (0.131" x 2½") or 6d (0.120" x 2") deformed-shank nails or other code-approved fasteners.
- For 7/8" panels, use 8d (0.131" x 2½") or 8d (0.120" x 2½") deformed-shank nails or other code-approved fasteners.
- Fully nail floor panel within 10 minutes of applying adhesive (or sooner if required by adhesive manufacturer).
- Screws may be substituted for the nails noted above if the screws have equivalent lateral load capacity.

# EEI™ JOIST NAILING REQUIREMENTS AT BEARING (FLOOR)

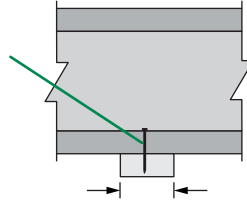
## EEI™ Joist to Bearing Plate

1½" Weyerhaeuser Rim Board



1¼" minimum end bearing for single-family applications

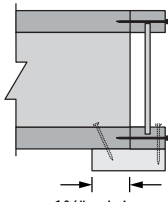
One 8d (0.113" x 2½") nail each side. Drive nails at an angle at least 1½" from end.



3½" minimum intermediate bearing; 5¼" may be required for maximum capacity

- Increased bearing capacities may be achieved with increased bearing lengths. See plans for required bearing lengths.

## Rim to EEI™ Joist

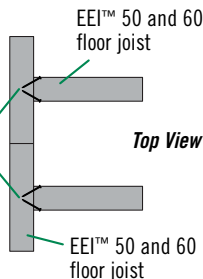


1¼" minimum bearing

**1½" Weyerhaeuser Rim Board:**  
One 10d (0.131" x 3") nail into each flange

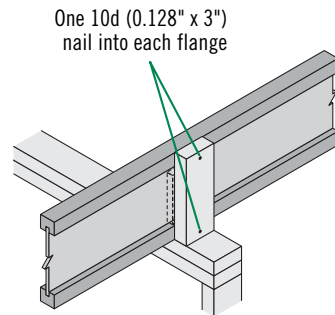
**EEI™ 20 and 30 rim joist:**  
One 16d (0.135" x 3½") nail into each flange

**EEI™ 50 and 60 rim joist:**  
Toenail with 10d (0.128" x 3") nails, one each side of EEI™ joist flange



*Locate rim board joint between joists*

## Squash Blocks to EEI™ Joist (Load bearing wall above)



One 10d (0.128" x 3") nail into each flange

*Also see detail B2, page 5*

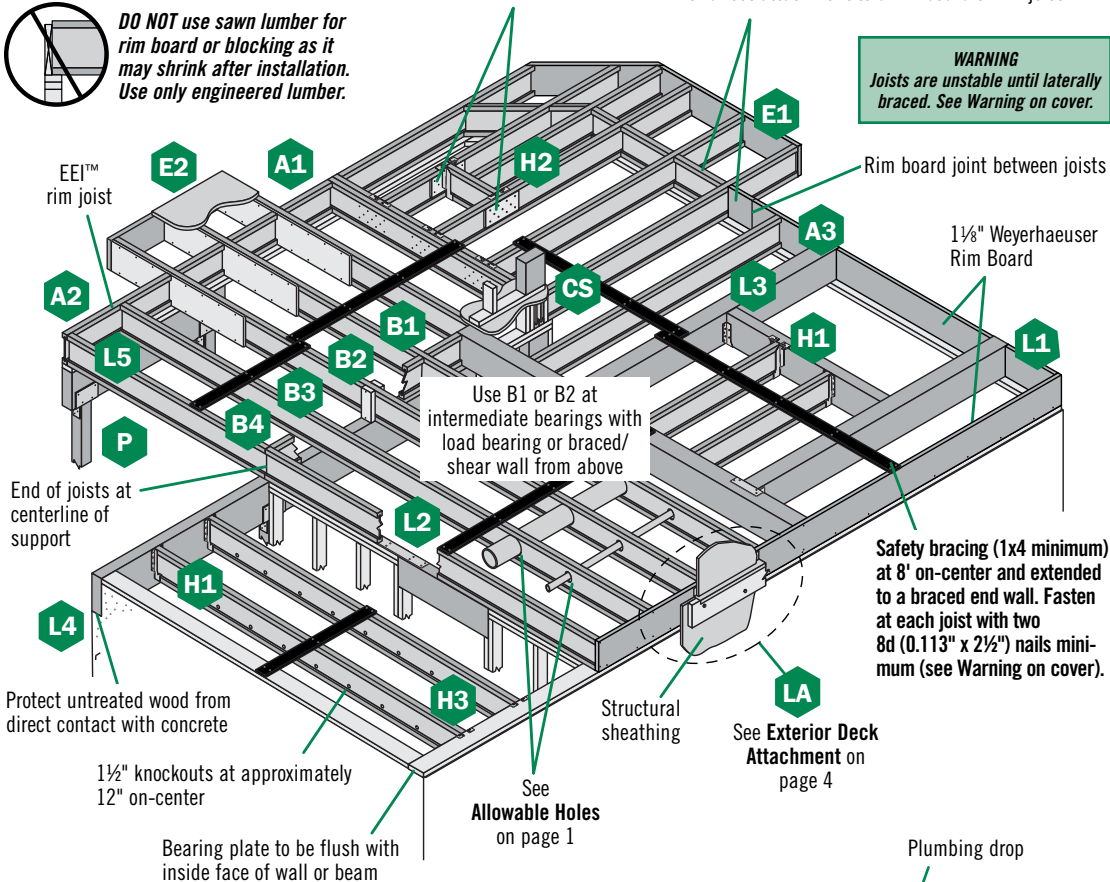
*EEl™ joist floor framing does not require bridging or mid-span blocking*



**DO NOT use sawn lumber for rim board or blocking as it may shrink after installation. Use only engineered lumber.**

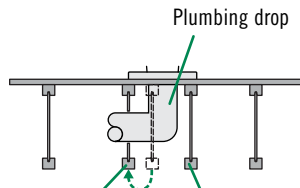
Joists must be laterally supported at cantilever and end bearings by blocking panels, hangers, or direct attachment to a rim board or rim joist.

**WARNING**  
Joists are unstable until laterally braced. See Warning on cover.



## INSTALLATION TIPS

- Subfloor adhesive will improve floor performance, but may not be required.
- Squash blocks and blocking panels carry stacked vertical loads (details B1 and B2). Packing out the web of a EEl™ joist (with web stiffeners) is not a substitute for squash blocks or blocking panels.
- When joists are doubled at non-load bearing parallel partitions, space joists apart the width of the wall for plumbing or HVAC.
- Additional joist at plumbing drop (see detail at right).



Joist may be shifted up to 3" if floor panel edge is supported and span rating is not exceeded. **Do not cut joist flanges.**

Additional joist is required if floor panel edge is unsupported or if span rating is exceeded.

## Detail Schedule

### End bearings (see page 4)

- A1** with blocking panels
- A2** with EEI™ rim joist
- A3** with rim board

### Intermediate bearings\* (see page 4)

- B1** with blocking panels to support load bearing wall above
- B2** with squash blocks to support load bearing wall above
- B3** without blocking panels or squash blocks (no wall above)

### Cantilever details (see page 5)

- E1** no reinforcement
- E2** ¾" reinforcement on one side

- E3** ¾" reinforcement both sides
- E4** joist reinforcement
- F1** deck cantilever
- PB1** permanent bracing

### Cantilevers less than 5" (see page 5)

- E5** ¾" reinforcement on one side, with vertical blocking
- E6** ¾" reinforcement both sides, with vertical blocking
- E7** ¾" reinforcement on one side, with horizontal blocking
- E8** ¾" reinforcement on both sides, with horizontal blocking
- E9** horizontal blocking, no reinforcement

### Hanger Details

(more connector information on page 8)

- H1** EEI™ joist to beam (see page 8)
- H2** EEI™ joist to joist (see page 5)
- H3** EEI™ joist on masonry wall or steel beam (see page 8)

### Other details

- B4** butting joists with blocking panels (see above)
- CS** column support (see page 4)
- LA** exterior deck attachment (see page 4)
- W** web stiffeners (see page 6)
- L** beam details (see page 9)
- P** column details (see page 9)

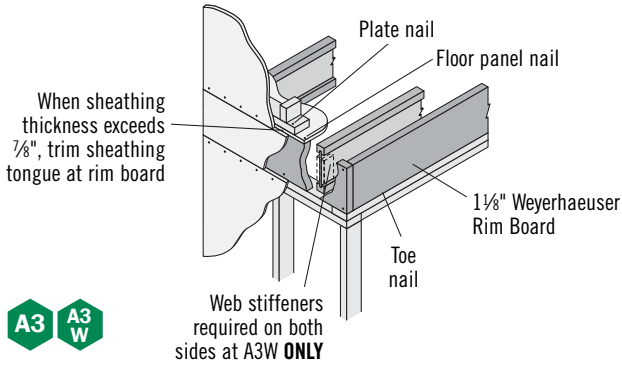
\*Load bearing wall must stack over wall below. Blocking panels may be required at braced/shear walls above or below.

## FASTENING OF FLOOR PANELS

### Guidelines for Closest On-Center Spacing per Row

Nail Size	EEI™(1)(2)		1½" Weyerhæuser Rim Board	EverEdge™ LVL(5)
	20	30, 50, 60		
8d (0.113" x 2½"), 8d (0.131" x 2½")	4"	3"	6"	4
10d (0.148" x 3"), 12d (0.148" x 3¼")	4" (3)	4" (3)	6"	5
16d (0.162" x 3½")	6"	6"	16" (4)	8 (4)

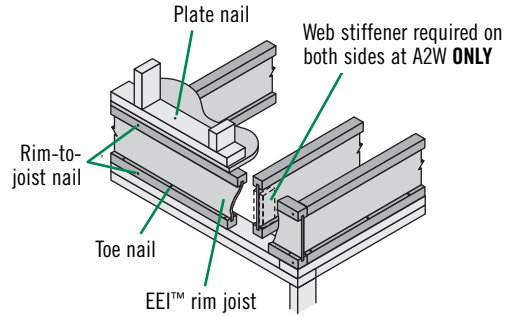
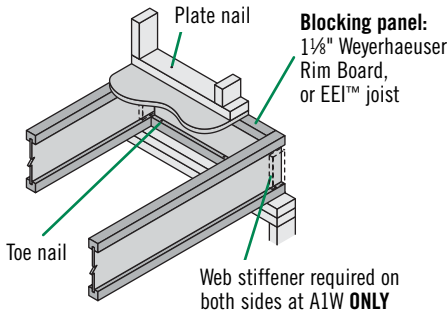
- (1) Stagger nails when using 4" on-center spacing and maintain ⅜" joist and panel edge distance. One row of fasteners is permitted (two at abutting panel edges) for diaphragms. Fastener spacing for **EEI™ joists** in diaphragm applications cannot be less than shown in table. When fastener spacing for blocking is less than spacing shown above, rectangular blocking must be used in lieu of EEI™ joists.
  - (2) For non-diaphragm applications, multiple rows of fasteners are permitted if the rows are offset at least ½" and staggered.
  - (3) With 10d (0.148" x 1½") nails, spacing can be reduced to 3" on-center for light gauge steel straps.
  - (4) Can be reduced to 5" on-center if nail penetration into the narrow edge is no more than 1¼" (to minimize splitting).
  - (5) To minimize splitting, maintain edge distance and row spacing of 2½ x nail diameter or ⅜", whichever is greater. Multiple rows must be staggered and equally spaced from the centerline of the narrow face axis.
- Recommended nailing is 12" on-center in field and 6" on-center along panel edge. Fastening requirements on engineered drawings supersede recommendations listed above.
  - Maximum nail spacing for EEI™ joists is 18" on-center.
  - 14 ga. staples may be substituted for 8d (0.113" x 2½") nails if minimum penetration of 1" into the EEI™ joist or rim board is achieved.
  - For recommended nailing and adhesives, see **FLOOR PANEL INSTALLATION RECOMMENDATIONS** on page 2.



## 1 1/8" Weyerhaeuser Rim Board Installation

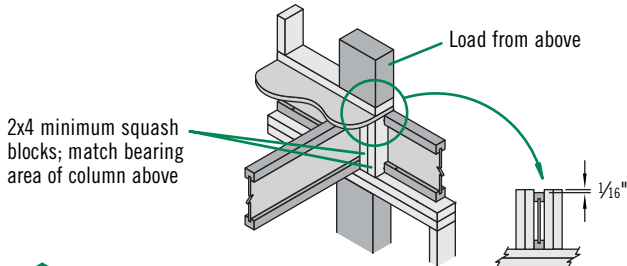
Specifications	A3, Conventional Construction, Code Minimum
<b>Plate Nail:</b> 16d (0.135" x 3 1/2")	16" o.c.
<b>Floor Panel Nail:</b> 8d (0.131" x 2 1/2")	6" o.c.
<b>Toe Nail:</b> 10d (0.131" x 3")	6" o.c.
<b>Wall Sheathing</b>	Per code

## FLOOR DETAILS



**A1** **A1 W** Attach blocking per A3 in rim board installation table above

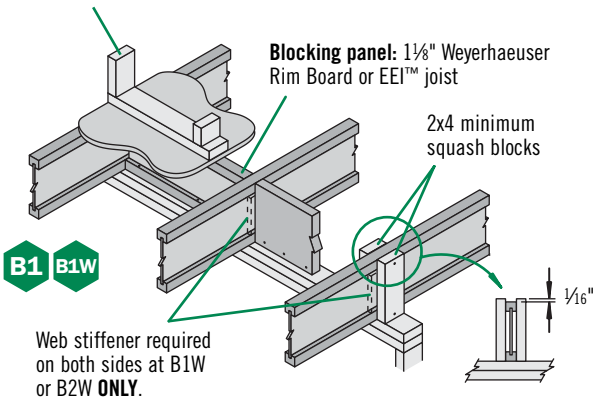
**A2** **A2 W** Must have 1 1/4" minimum joist bearing at ends. Attach rim joist per A3 in rim board installation table above.



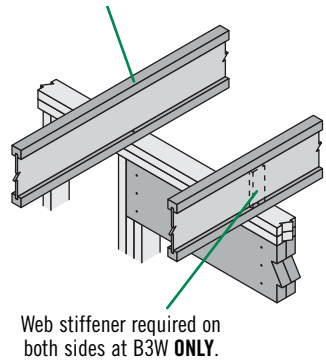
**CS** Use 2x4 minimum squash blocks to transfer load around EEI™ joist



**Load bearing or braced/shear wall above**  
(must stack over wall below)



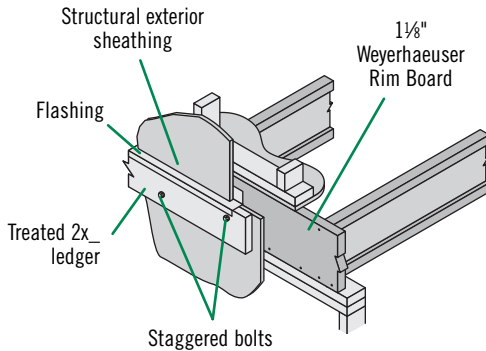
**No load bearing wall above**



**B2 B2W** Blocking panels may be required with braced/shear walls above or below—see detail B1

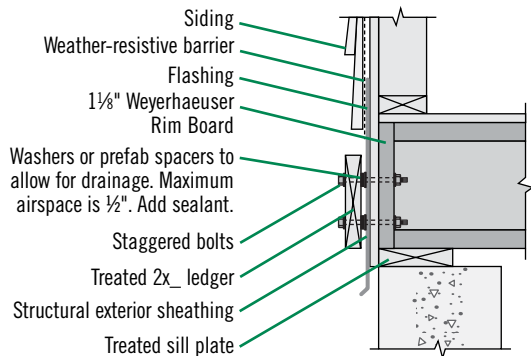
**B3 B3W** Blocking panels may be required with braced/shear walls above or below—see detail B1

## Exterior Deck Attachment



**LA** Corrosion-resistant fasteners required for wet-service applications

## Shimmed Deck Attachment



Maintain 2" distance (minimum) from edge of ledger to edge of fastener. Stagger bolts.

At PB1, cantilever back span must be permanently braced with either direct-applied ceiling along entire length or permanent bracing at  $\frac{1}{3}$  points. See detail below for connections.

8" diameter maximum hole for  $1\frac{1}{8}$ "–16" deep blocking panels; 6" diameter maximum for blocking panels  $9\frac{1}{2}$ " deep or shorter than 12" long. **Do not cut flanges.**

$\frac{1}{8}$ " Weyerhaeuser Rim Board closure, typical

$\frac{1}{8}$ " Weyerhaeuser Rim Board, typical. Nail with 10d (0.131" x 3") nails, one each at top and bottom flange.

Web stiffener required on both sides at E1W **ONLY**

4'-0" length of  $\frac{3}{4}$ " reinforcement (2'-0" maximum cantilever) on one side at E2, both sides at E3. Attach to joist flange with 8d (0.131" x 2 $\frac{1}{2}$ ") nails at 6" on-center. When reinforcing both sides, stagger nails.

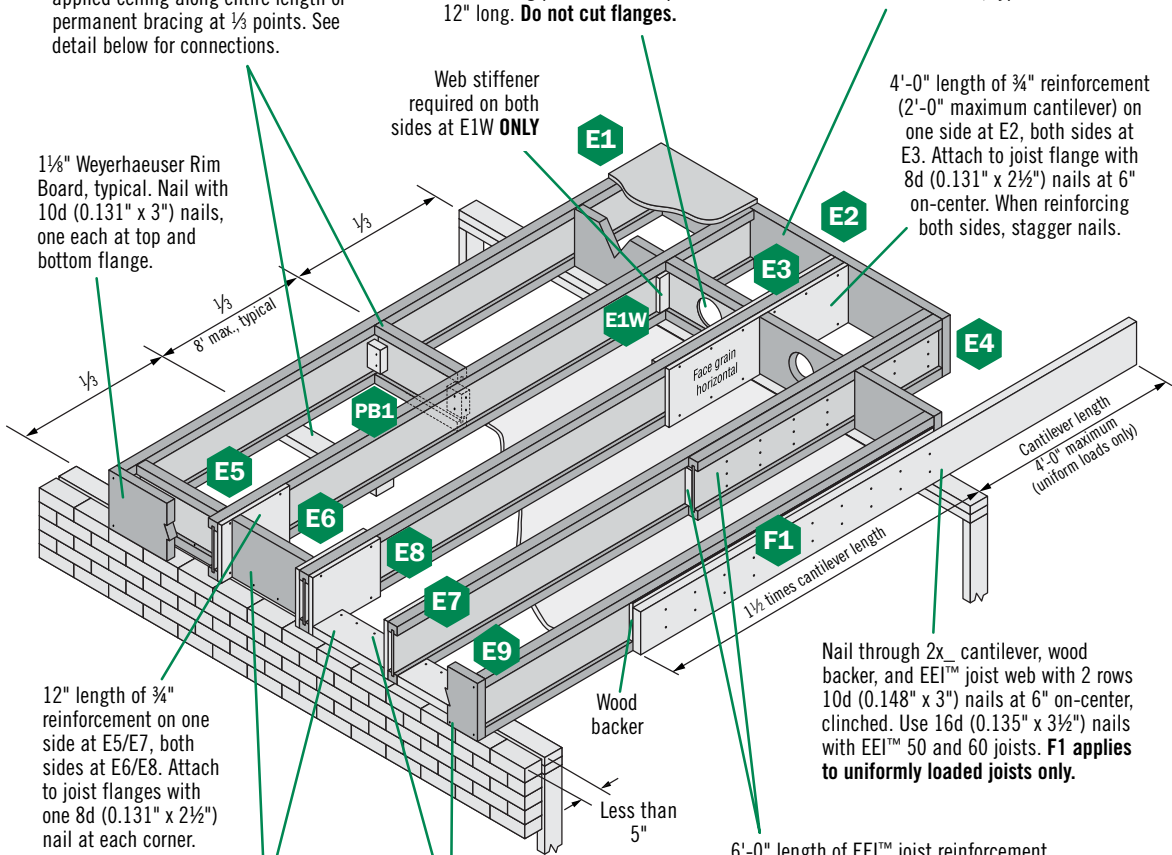
12" length of  $\frac{3}{4}$ " reinforcement on one side at E5/E7, both sides at E6/E8. Attach to joist flanges with one 8d (0.131" x 2 $\frac{1}{2}$ ") nail at each corner.

Blocking panel between each joist. Full depth vertical blocking at E5 and E6, horizontal blocking at E7/E8/E9.

Nail rim to blocking panel and blocking panel to plate with connections equivalent to floor panel schedule (E7/E8/E9)

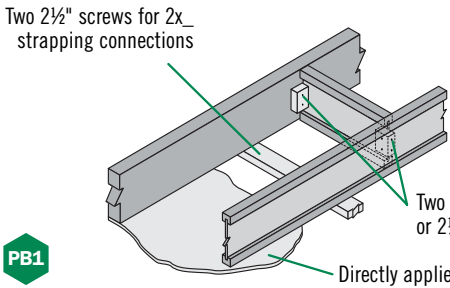
Nail through 2x<sub>cantilever</sub> cantilever, wood backer, and EEI™ joist web with 2 rows 10d (0.148" x 3") nails at 6" on-center, clinched. Use 16d (0.135" x 3 $\frac{1}{2}$ ") nails with EEI™ 50 and 60 joists. **F1 applies to uniformly loaded joists only.**

6'-0" length of EEI™ joist reinforcement (2'-0" maximum cantilever) and filler block at E4. Attach to joist web with 3 rows 10d (0.148" x 3") nails at 6" on-center, clinched. Use 4'-0" length with  $\frac{9}{16}$ " and  $1\frac{1}{8}$ " EEI™ joists, and attach to joist web with 2 rows 10d (0.148" x 3") nails at 6" on-center, clinched. **Not for use with EEI™ 50 and 60 joists.**



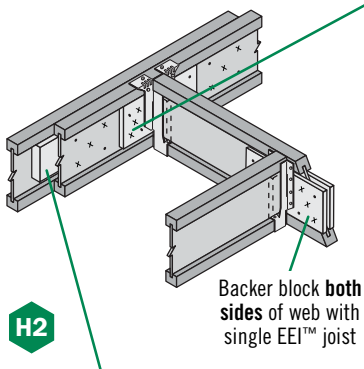
When specified on the layout, one of the bracing options shown at right is required

PB1



Apply subfloor adhesive to all contact surfaces

## FILLER AND BACKER BLOCKS



### HANGER BACKER BLOCK

Install tight to top flange (tight to bottom flange with face mount hangers).

- **Single-Family Applications:** Attach with ten 10d (0.128" x 3") nails, clinched when possible.
- **Multi-Family Applications:** Attach with fifteen 10d (0.128" x 3") nails, clinched when possible.

H2

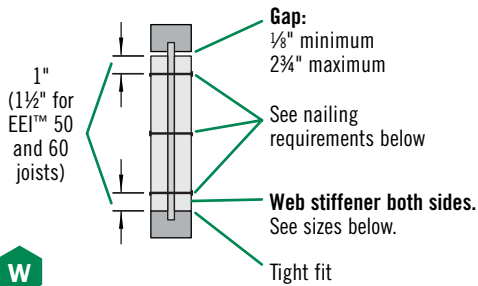
### DOUBLE EEI™ JOIST FILLER BLOCK

- **Single-Family Applications:** Attach with ten 10d (0.128" x 3") nails, clinched. Use ten 16d (0.135" x 3 1/2") nails from each side with EEI™ 50 and 60 joists.
- **Multi-Family Applications:** Attach with fifteen 10d (0.128" x 3") nails, clinched. Use fifteen 16d (0.135" x 3 1/2") nails from each side with EEI™ 50 and 60 joists.

### Filler and Backer Block Sizes

Detail	Joist Series and Depth			
	EEI™ 20 or 30		EEI™ 50 or 60	
	9 1/2" or 11 7/8"	14" or 16"	9 1/2" or 11 7/8"	14" or 16"
<b>Filler Block<sup>(1)</sup> (Detail H2)</b>	2x6 + 1/2" sheathing	2x8 + 1/2" sheathing	Two 2x6	Two 2x8
<b>Cantilever Filler (Detail E4)</b>	2x6 + 1/2" sheathing 4'-0" long	2x10 + 1/2" sheathing 6'-0" long	Not applicable	
<b>Backer Block<sup>(1)</sup> (Detail F1 or H2)</b>	7/8" or 1" net		2x6	2x8

(1) If necessary, increase filler and backer block height for face mount hangers and maintain 1/8" gap at top of joist. See detail W. Filler and backer block dimensions should accommodate required nailing without splitting. The suggested minimum length is 24" for filler and 12" for backer blocks.

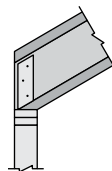


## Web Stiffener Nailing Requirements

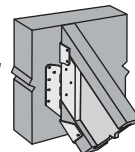
Joist Series	Joist Depth	Nail Size and Quantity		Web Stiffener Sizes
		8d (0.113" x 2½")	16d (0.135" x 3½")	
EEI™ 20, EEI™ 30	9½"–14" 16"	3 —	— 4	7/8" x 2½/16" minimum <sup>(1)</sup>
EEI™ 50, EEI™ 60	9½"–14" 16"	— —	3 4	2x4, construction grade or better

(1) PS1 or PS2 sheathing, face grain vertical

## WEB STIFFENER REQUIREMENTS



*Required at all  
birds-mouth cuts.*

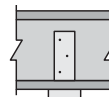


*Required at all  
sloped hangers.*



*Required if the sides of the  
hanger do not extend to  
laterally support at least 3/8"  
of the EEI™ joist top flange.*

*Only required at intermediate  
bearing locations when noted  
on framing plan.*



# TYPICAL ROOF FRAMING

## Detail Schedule

### Roof details (see page 7)

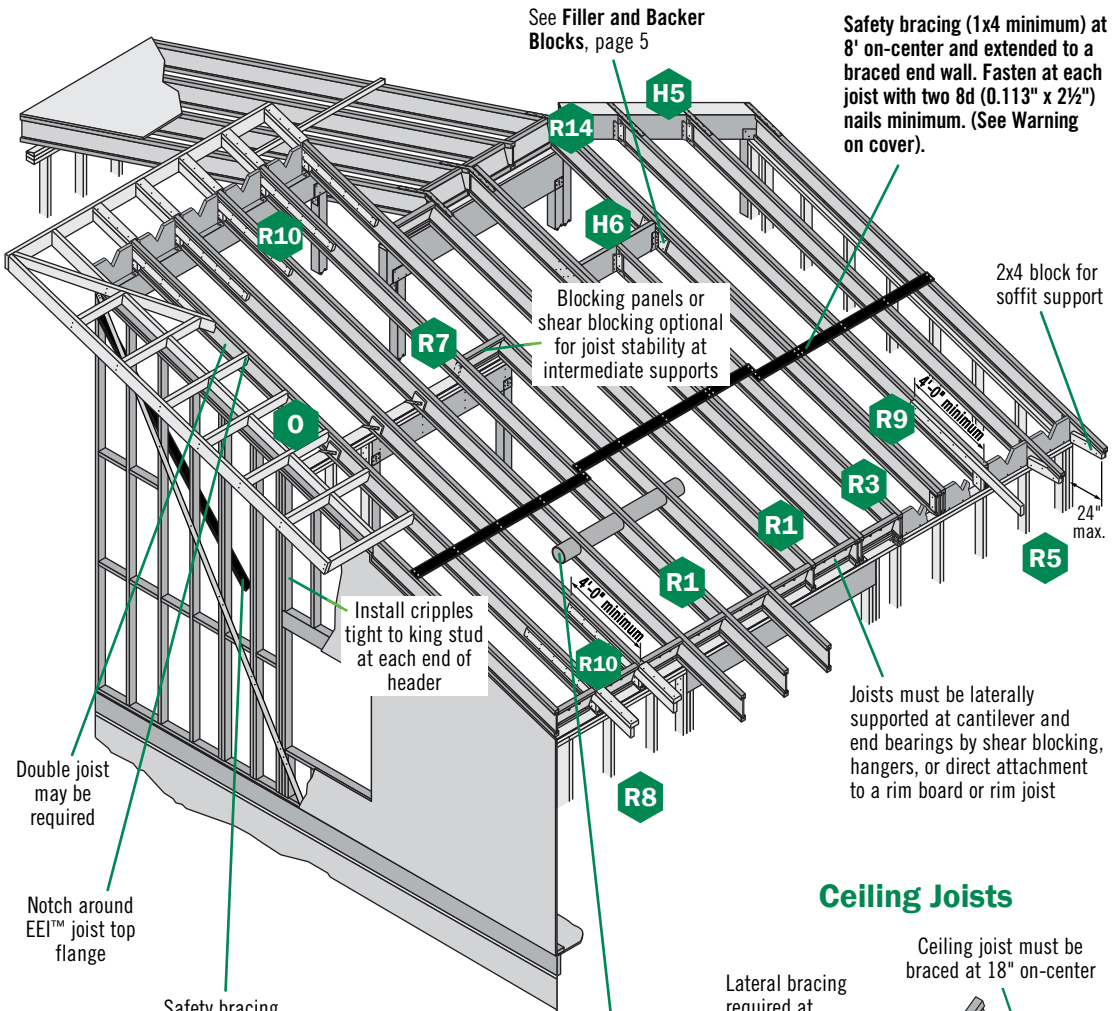
- R1** on bevel plate
- R1W** on bevel plate with web stiffeners
- R3** with variable slope seat connector
- R3W** with seat connector and web stiffeners
- R5** with birdsmouth cut
- R7** intermediate bearing
- R7W** intermediate bearing with web stiffeners

- R8** 2x4 outrigger and filler with birdsmouth cut
- R9** 2x4 outrigger without filler
- R10** 2x4 outrigger with filler
- R10W** 2x4 outrigger with filler and web stiffeners
- R14** ridge detail
- R14W** ridge detail, with web stiffeners

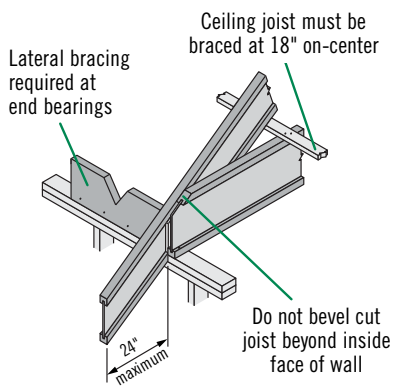
### Other details

- O** 2x\_ overhang at end wall
  - SB** shear blocking (see page 8)
  - W** web stiffeners
- ### Hanger details (see page 8)
- H5** slope adjusted hanger
  - H6** header on slope

*Joists must be laterally supported at cantilever and end bearings  
by blocking panels, hangers, or direct attachment to a rim board or rim joist.*

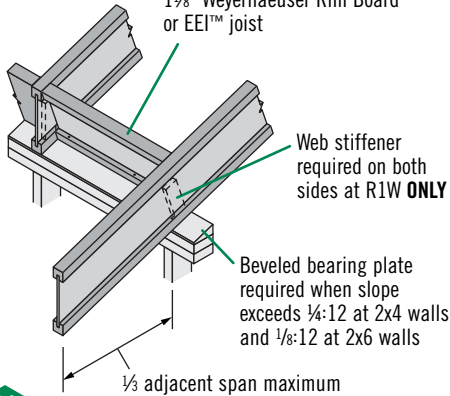


## Ceiling Joists



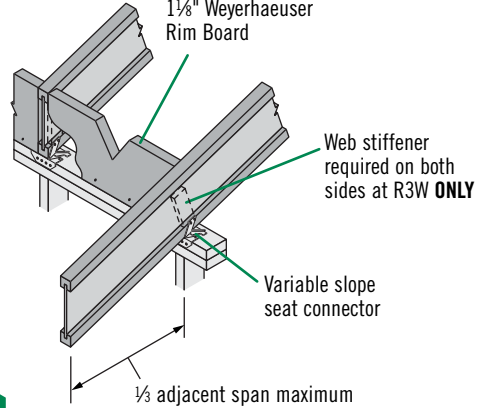
**WARNING**  
 Joists are unstable until laterally braced.  
 See Warning on cover.

**Shear blocking:**  
1 1/8" Weyerhaeuser Rim Board  
or EEI™ joist



R1 R1W

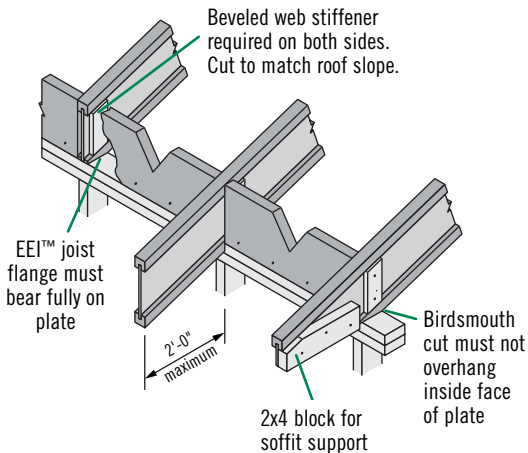
**V-cut shear blocking:**  
1 1/8" Weyerhaeuser Rim Board



R3 R3W

## Intermediate Bearing

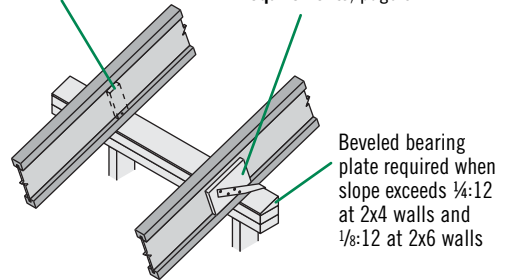
*Blocking panels or shear blocking may be specified for joist stability at intermediate supports*



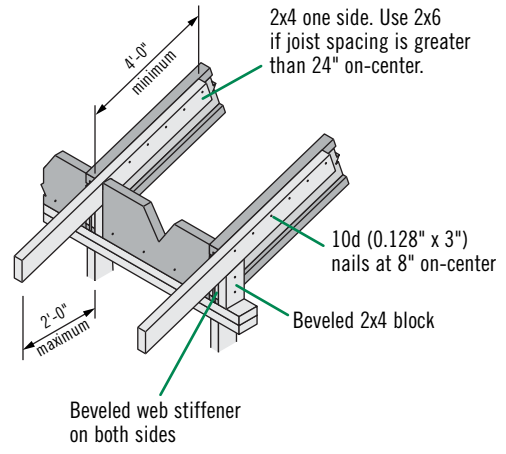
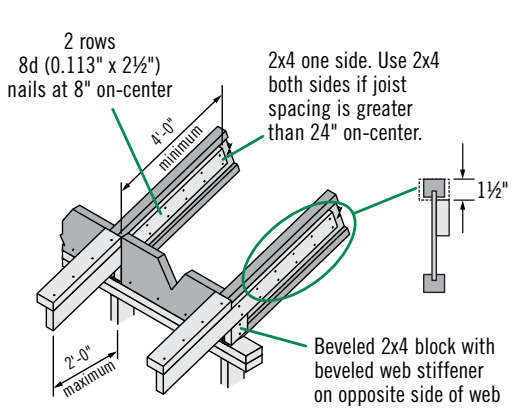
R5 *Birdsmouth cut allowed at low end of joist only*

Web stiffener required on both sides at R7W **ONLY**

Twist strap and backer block required at R7S with slopes greater than 3:12. See **Nailing Requirements**, page 8.

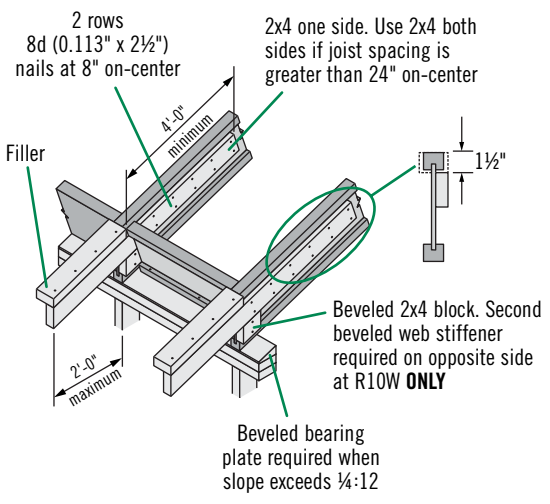


R7 R7W R7S

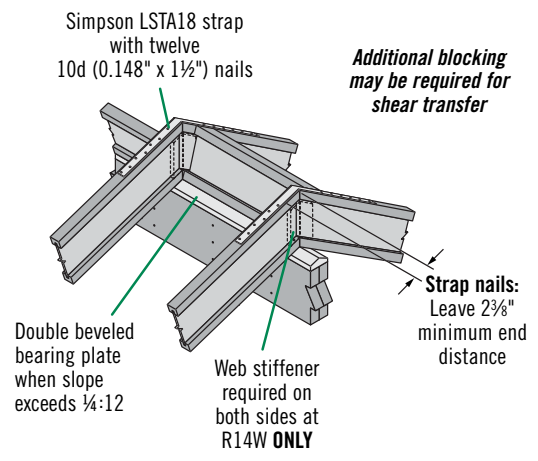


**R8** Birdsmouth cut allowed at low end of joist only

**R9** Birdsmouth cut allowed at low end of joist only



**R10**  
**R10W**



**R14**  
**R14W**

## APPROVED HANGERS

- The following manufacturer is approved to supply hangers for EverEdge™ products:
  - Simpson Strong-Tie Co., Inc., 1-800-999-5099
- Hanger design loads differ by support type and may exceed the capacity of the support and/or supported member.

## NAILING REQUIREMENTS

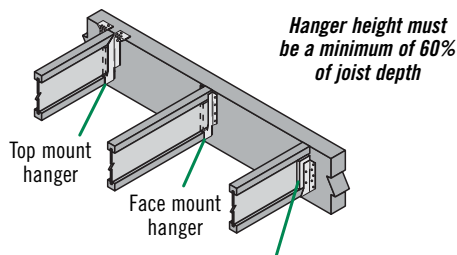
- Fill all round, dimple, and positive angle holes with the proper nails. Hanger nails are usually a heavier gauge because of the higher loads they need to carry.
- Unless specified otherwise, full capacity of straps or connectors can only be achieved if the following nail penetration is provided:

	FACE MOUNT	TOP MOUNT
10d (0.148" x 1½")	1½" minimum	1½" minimum
10d (0.148" x 3")	1½" minimum, clinched	3" minimum
16d (0.162" x 3½")	1¾" minimum, clinched	3½" minimum

- Top mount hangers should be fastened to EEI™ joist headers with 10d (0.148" x 1½") nails. Fasten face mount hangers to 3½" or wider EEI™ joist headers with 10d (0.148" x 3") or 16d (0.162" x 3½") nails.

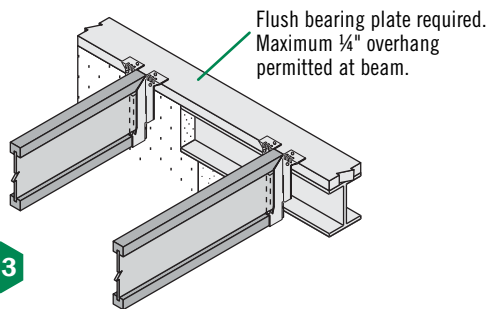
## CONNECTOR INSTALLATION AND SQUEAK PREVENTION TIPS

- Nails must be completely set.
- Leave 1/16" clearance between the member and the support member or hanger.
- Joist to beam connections require hangers; do not toenail.
- Install the supported member tight to the bottom of the hanger. Reduce squeaks by adding subfloor adhesive to the hanger seat.
- On Simpson Strong-Tie® VPA connectors, bend the bottom flange tabs over and nail to EEI™ joist bottom flange.



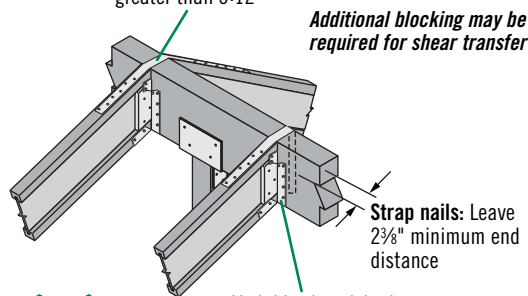
H1

Web stiffeners required if the sides of the hanger do not laterally support at least ⅜" of the EEI™ joist top flange



H3

Simpson LSTA24 strap with twelve 10d (0.148" x 1½") nails required at H5S with slopes greater than 3:12



H5 H5S

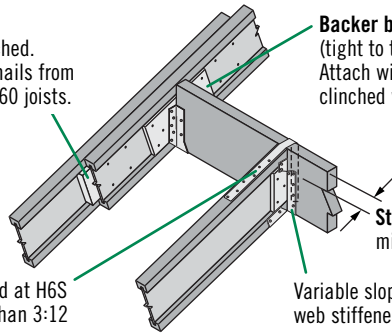
Variable slope joist hanger. Beveled web stiffener required on both sides.

Additional blocking may be required for shear transfer



**Filler block:** Attach with ten 10d (0.128" x 3") nails, clinched. Use ten 16d (0.135" x 3½") nails from each side with EEI™ 50 and 60 joists.

**Backer block:** Install tight to bottom flange (tight to top flange with top mount hangers). Attach with ten 10d (0.128" x 3") nails, clinched when possible.



**Strap nails:** Leave 2⅜" minimum end distance

LSTA18 strap required at H6S with slopes greater than 3:12

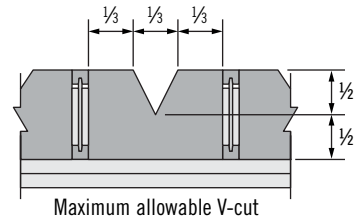
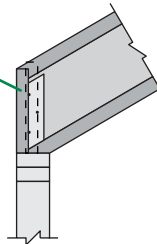
Variable slope joist hanger. Beveled web stiffeners required on both sides.



## SHEAR BLOCKING AND VENTILATION HOLES (Roof Only)

Weyerhaeuser Rim Board for shear blocking (between joists). Field trim to match joist depth at outer edge of wall or locate on wall to match joist depth.

*For EEI™ joists with slopes of 10:12 to 12:12, the vertical depth of shear blocking at bearing will require 1¼" Weyerhaeuser Rim Board that is one size deeper than the EEI™ joist.*

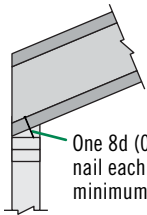


## EEI™ JOIST NAILING REQUIREMENTS AT BEARING

### EEI™ Joist to Bearing Plate

### Blocking to Bearing Plate

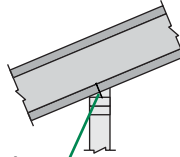
**END BEARING**  
(1¼" minimum bearing required)



One 8d (0.113" x 2½") nail each side, 1½" minimum from end

*When slope exceeds ¼:12, a beveled bearing plate, variable slope seat connector, or birdsmouth cut (at low end of joist only) is required.*

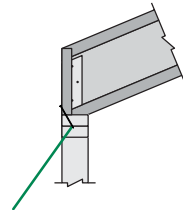
**INTERMEDIATE BEARING**  
(3½" minimum bearing required)



**Slopes 3:12 or less:**  
One 8d (0.113" x 2½") nail each side. See detail R7.

**Slopes greater than 3:12:**  
Two 8d (0.113" x 2½") nails each side, plus a twist strap and backer block. See detail R7S.

*When slope exceeds ¼:12 for a 2x4 wall or ⅙:12, for a 2x6 wall, a beveled bearing plate or variable slope seat connector is required.*



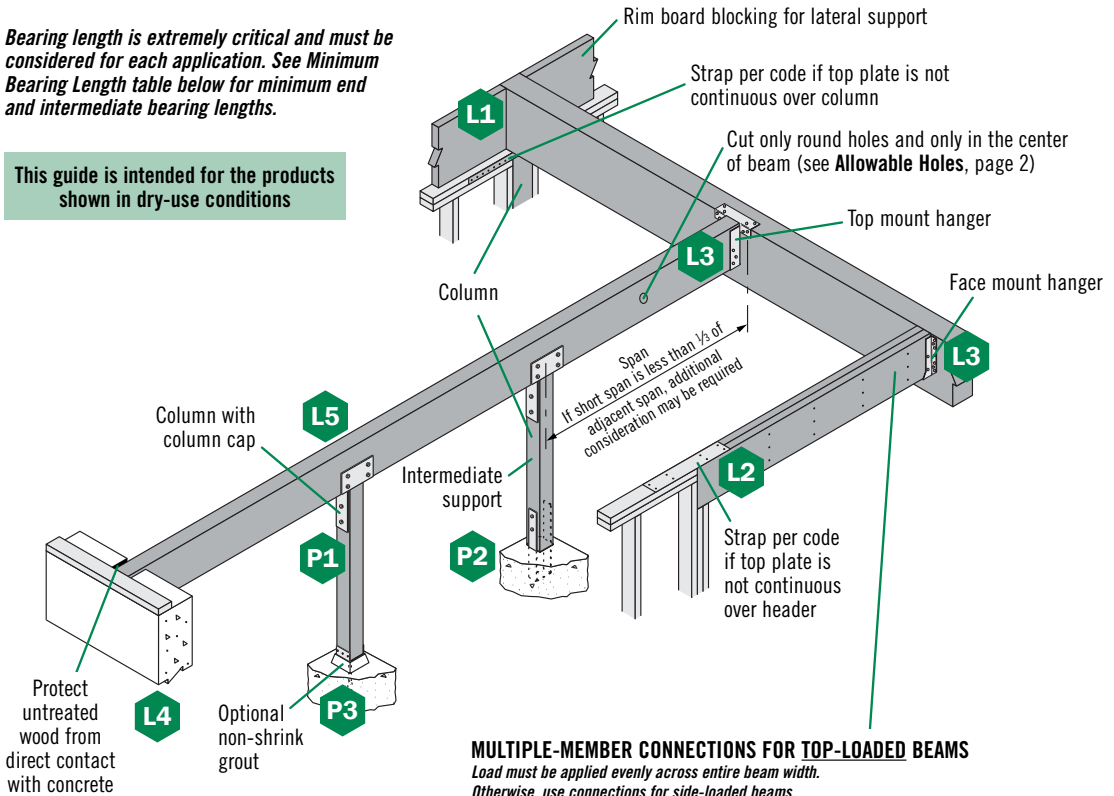
**1½" Weyerhaeuser Rim Board:**  
Toenail with 10d (0.131" x 3") nails at 6" on-center or 16d (0.135" x 3½") nails at 12" on-center

**EEI™ joist blocking:**  
10d (0.128" x 3") nails at 6" on-center

**Shear transfer nailing:**  
Minimum, use connections equivalent to sheathing nail schedule

*Bearing length is extremely critical and must be considered for each application. See Minimum Bearing Length table below for minimum end and intermediate bearing lengths.*

This guide is intended for the products shown in dry-use conditions

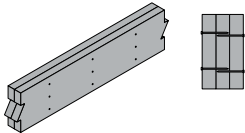


### MULTIPLE-MEMBER CONNECTIONS FOR TOP-LOADED BEAMS

Load must be applied evenly across entire beam width. Otherwise, use connections for side-loaded beams.

Piece Width	# of Plies	Fastener				
		Type <sup>(1)</sup>	Min. Length	# Rows	O.C. Spacing	Location
1 3/4"	2	10d nails	3"	3 <sup>(2)</sup>	12"	One side
		12d–16d nails	3 3/4"	2 <sup>(2)</sup>		
		Screws	3 3/8" or 3 1/2"	2		
	3	10d nails	3"	3 <sup>(2)</sup>	12"	Both sides
		12d–16d nails	3 3/4"	2 <sup>(2)</sup>		
		Screws	3 3/8" or 3 1/2"	2		
		5"	One side			
	4	10d nails <sup>(3)</sup>	3"	3 <sup>(2)</sup>	12"	One side (per ply)
			12d–16d nails <sup>(3)</sup>	3 3/4"		
Screws		5" or 6"	2	24"	Both sides	
	6 3/4"	One side				

When fasteners are required on both sides, stagger fasteners on the second side so they fall halfway between fasteners on the first side.



**L6** Multiple pieces can be nailed or bolted together, up to a maximum width of 7"

### MULTIPLE-MEMBER CONNECTIONS FOR SIDE-LOADED BEAMS

- Additional nailing or bolting may be required with side-loaded multiple-member beams.

(1) 10d nails are 0.128" diameter; 12d–16d nails are 0.148"–0.162" diameter; screws are SDS or SDW.  
 (2) An additional row of nails is required with depths of 14" or greater.

## Detail Schedule

### Beam and header details

- L1** bearing at wood wall
- L2** bearing for door or window header
- L3** beam to beam connection

- L4** bearing at concrete wall
- L5** bearing at wood or steel column
- L6** connection of multiple pieces

### Column details

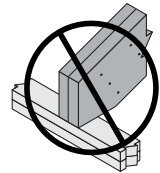
- P1** beam on column cap
- P2** column base
- P3** elevated column base

## BEAM AND HEADER BEARINGS

### Minimum Bearing Length for Beams and Headers

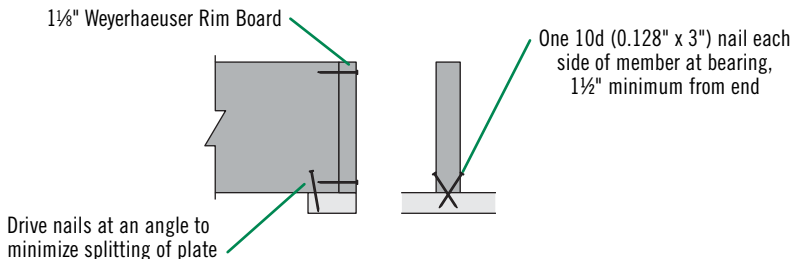
Beam Depth	Bearing	Span of Header or Beam								
		4'	6'	8'	10'	12'	16'	20'	24'	28'
5½"	End/Int.	2¼" / 4"	1½" / 3¾"	1½" / 3½"	1½" / 3½"	1½" / 3½"				
7¼"	End/Int.	3¼" / 5¾"	2¼" / 5¼"	1½" / 4½"	1½" / 3½"	1½" / 3½"	1½" / 3½"			
9¼", 9½"	End/Int.		4" / 7¼"	3" / 6¾"	2½" / 6"	1¾" / 5"	1½" / 3¾"	1½" / 3½"	1½" / 3½"	1½" / 3½"
11¼", 11½"	End/Int.			4½" / 9"	3¾" / 8½"	3" / 7½"	2" / 5¾"	1½" / 4½"	1½" / 3¾"	1½" / 3½"
14"	End/Int.					4¼" / 10"	3¼" / 7¾"	2¼" / 6¼"	1½" / 5¼"	1½" / 4½"
16"	End/Int.						4" / 9¾"	3" / 7¾"	2¼" / 6½"	1¾" / 5¾"
18"	End/Int.							4" / 9¾"	3" / 8¼"	2¼" / 7"
20"	End/Int.								4" / 10"	3" / 8½"

- **Minimum bearing length:** 1½" at ends, 3½" at intermediate supports.
- Bearing across full beam width is required.
- Bearing lengths shown are based on bearing stress for EverEdge™ LVL. If the support member's allowable bearing stress is lower (e.g., when bearing on a flat wood plate), bearing lengths may need to be increased.
- Table assumes maximum allowable uniform load. For other conditions, contact your Weyerhaeuser representative.
- Beams and headers require lateral support at bearing points and along the top (or compression edge) at 24" on-center or closer.
- **1¼"-thick members that are 16" or deeper must be used in multiple-ply units only.**



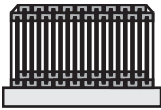
**DO NOT overhang seat cuts on beams beyond inside face of support member**

### Beam Attachment at Bearing



# PRODUCT STORAGE AND WARRANTY

## Product Storage



Store and handle joists in vertical orientation.



Protect products from sun and water.



**CAUTION:** Wrap is slippery when wet or icy.

Align stickers (2x3 or larger) directly over support blocks.

Use support blocks (6x6 or larger) at 10' on-centre to keep products out of mud and water.

### FOR CODE EVALUATIONS, SEE

- **EEI™ Joists**  
PFS-TECO RR 0106
- **EverEdge™ LVL**  
PFS-TECO RR 0105
- **Weyerhaeuser Rim Board**  
ICC ES ESR-1387

For conditions not shown in this guide or for technical or sales support, contact US Lumber at 1-888-613-5078 or at [ewpteam@uslumber.com](mailto:ewpteam@uslumber.com).

**WARNING:** Drilling, sawing, sanding or machining wood products generates wood dust. The paint and/or coatings on this product may contain titanium dioxide. Wood dust and titanium dioxide are substances known to the State of California to cause cancer. For more information on Proposition 65, visit [wy.com/inform](http://wy.com/inform).

## EverEdge™ Series Warranty



## EverEdge™ Series



Certified Sourcing  
[www.sfi.com](http://www.sfi.com)

Distributed by



**U.S. LUMBER**

1.888.613.5078  
[uslumber.com](http://uslumber.com) • [ewpteam@uslumber.com](mailto:ewpteam@uslumber.com)

September 2016 • Reorder EE-9001

This document supersedes all previous versions. If this is more than one year old, contact your dealer or Weyerhaeuser rep.

▲ and Weyerhaeuser are registered trademarks and EverEdge is a trademark of Weyerhaeuser NR. © 2016 Weyerhaeuser NR Company. All rights reserved.