

MODEL DESIGNATION: Simonton Awning Series 08-20 Vinyl Impact Window

MAXIMUM OVERALL NOMINAL SIZE: Single up to 53" x 26"

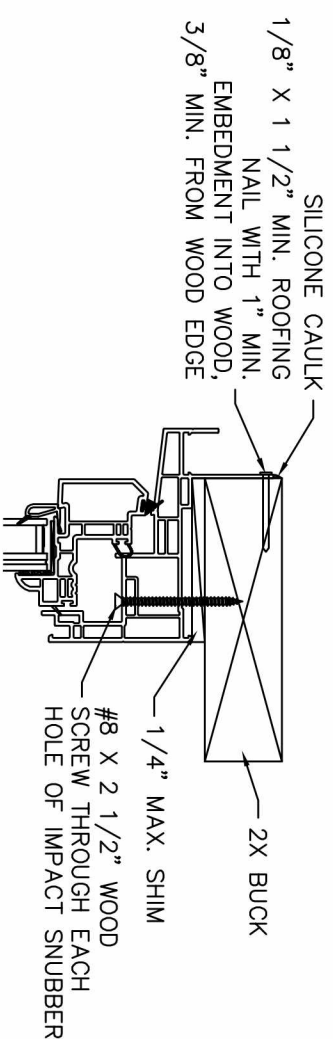
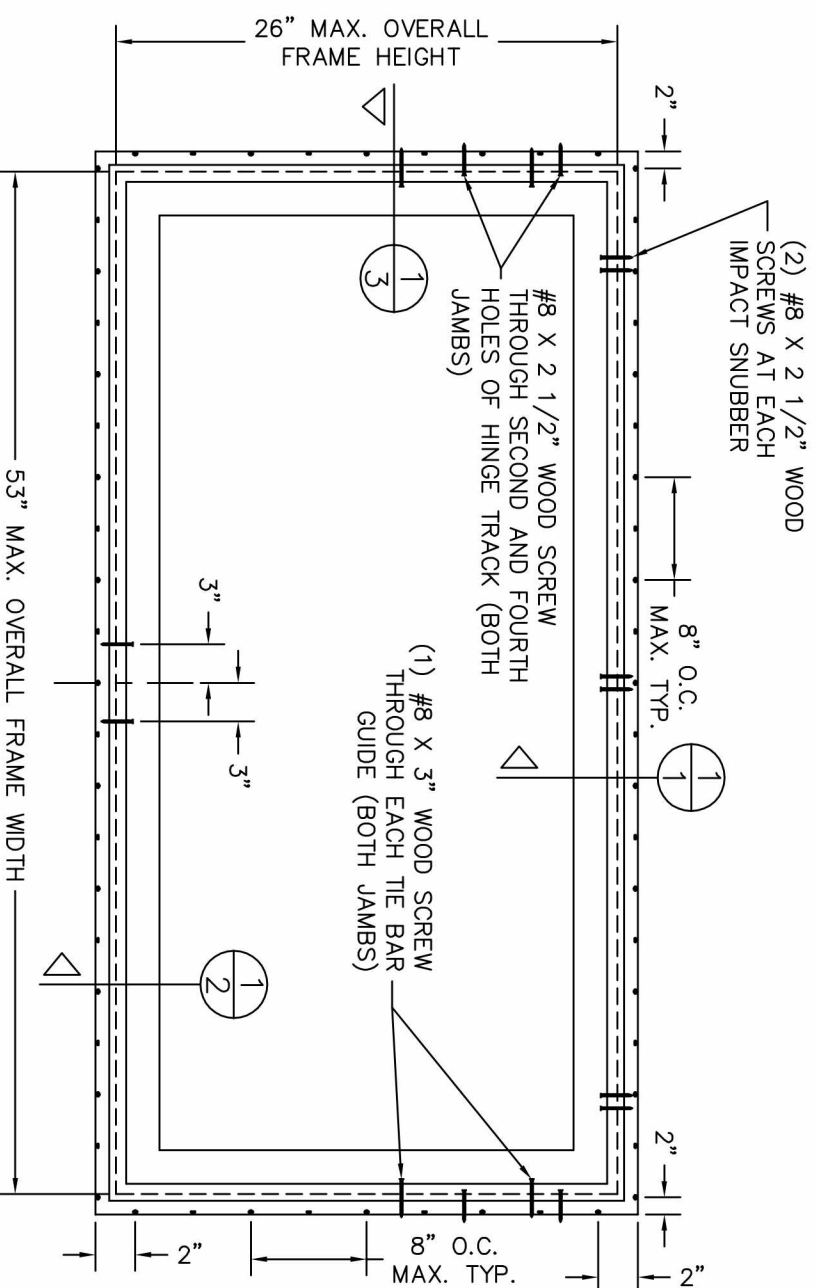
DESIGN PRESSURE RATING: Positive: 55.0 PSF
Negative: 55.0 PSF

USABLE CONFIGURATIONS: X

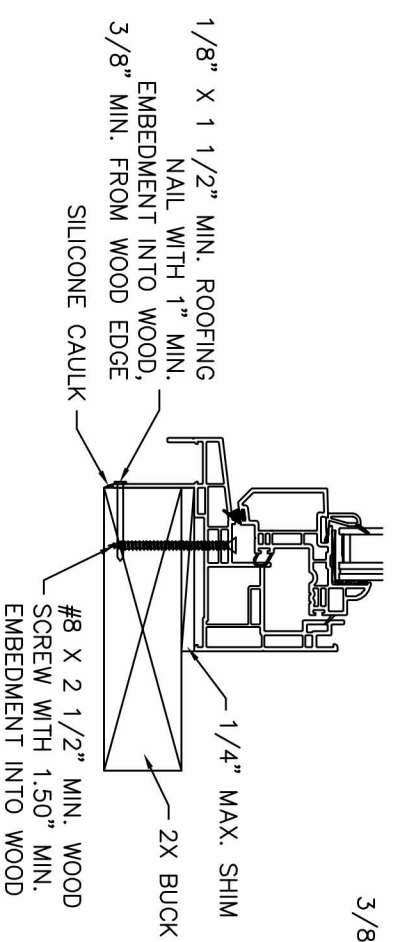
GENERAL DESCRIPTION: The head, sill, and side jambs are extruded PVC. The wall thickness through which the anchor screw penetrates is a minimum of 0.070".

NO P.E. SEAL REQUIRED
INSTALLATION SUPPORTED
BY AAMA TEST REPORTS

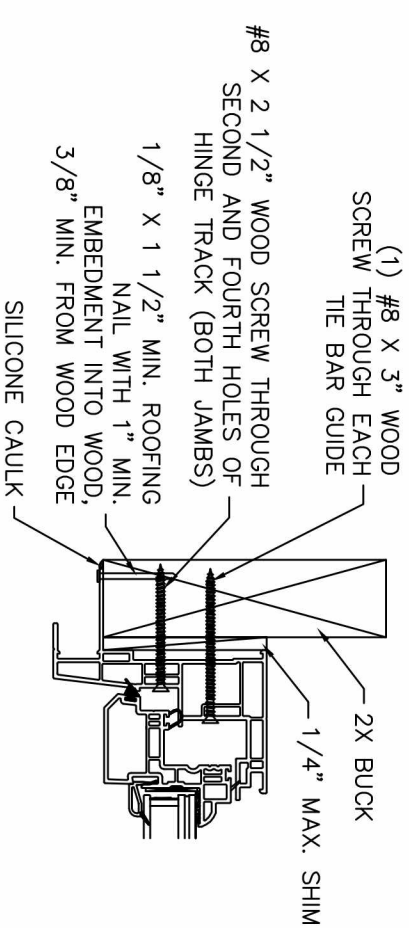
REV. #	REVISIONS:	REVISED BY:	DATE:
1	UPDATED ANCHORS PER NEW TESTING.	T.D.D.	05/11/11
2	UPDATED ANCHORS PER TESTING.	T.D.D.	09/19/11
3	ADDED NOTE 10.	T.D.D.	01/09/12



1 HEAD
4X SCALE



1 SILL
2 4X SCALE



1 JAMB
3 4X SCALE

DISCLOSURE STATEMENT

This document is the property of Simonton Windows, which retains all proprietary and other rights to its subject matter. This document is provided to the recipient on the expressed condition that it is not to be disclosed, reproduced in whole or part, nor used in conjunction with the design, manufacture or repair of goods for anyone other than Simonton Windows without its consent. This restriction does not limit the recipient's rights to utilize information contained in this document which is properly obtained from another source.

MATERIAL:

RMS FINISH:	EXCEPT AS NOTED
ALLOY & TEMPER:	
WEIGHT:	VOLUME:
SURFACE AREA:	PERIMETER:
FINISH TREATMENT:	

Dimensional Tolerances
Unless Otherwise Specified

Decimals	Angles
.X ± .03 .XX ± .01 .XXX ± .005	0° 30 min.



W I N D O W S
1 Cochran Avenue
Pennsboro, WV 26415

SIZE: DRAWING NO.: REV: B IN0519 3

DRAWN BY: DATE: T.D.D. 04/12/11

CHECKED BY: DATE:

SCALE: FIT SHEET: 1 of 2 APPROVD BY: DATE:

SERIES: 08-20 AWNING IMPACT WINDOW

TITLE: 2X BUCK INSTALLATION (AS TESTED)

FILE: IN0519

MODEL DESIGNATION: Simonton Awning Series 08-20 Vinyl Impact Window

MAXIMUM OVERALL NOMINAL SIZE: Single up to 53" x 26"

DESIGN PRESSURE RATING: Positive: 55.0 PSF
Negative: 55.0 PSF

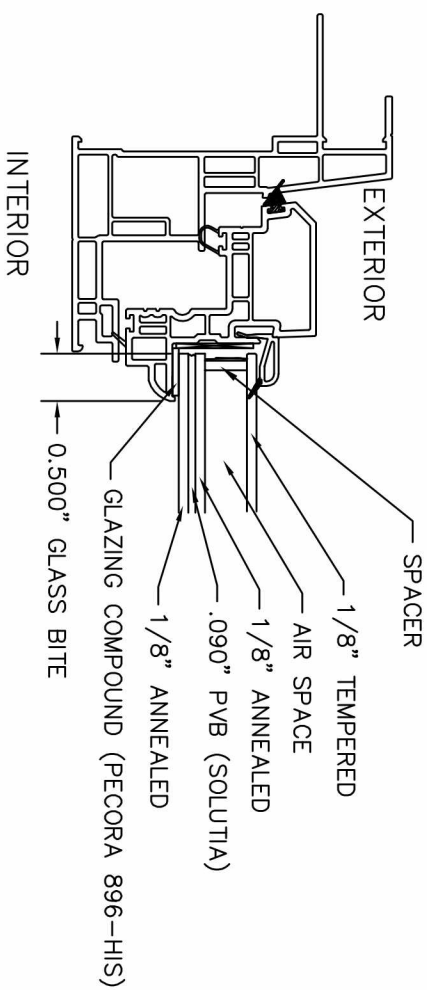
USABLE CONFIGURATIONS: X

GENERAL DESCRIPTION: The head, sill, and side jambs are extruded PVC. The wall thickness through which the anchor screw penetrates is a minimum of 0.070".

NOTES:

- This installation has been evaluated for use in locations adhering to the Florida Building Code and where design pressure requirements as determined by ASCE 7 Minimum Design Loads for Buildings and Other Structures do not exceed the design pressure ratings listed herein.
- All exterior perimeter surfaces of the window must be caulked. Interior caulking is optional unless noted otherwise.
- Anchors shall be specified and spaced as shown. Anchor embedment into base material shall be beyond wall dressing or stucco and into wood.
- Wood bucks (by others) must be engineered and anchored properly to transfer loads to the structure.
- The responsibility for selection of Simonton products to meet any applicable local laws, building codes, ordinances, or other safety requirements rests solely with the architect, building owner, or contractor.
- Shims are optional. Max. shim stack is 1/4".
- Screws must be a minimum of 3/4" from the edge of the wood.
- When used in areas requiring impact protection, this product DOES NOT REQUIRE the use of impact resistant shutters or other external protection.
- Flashing should be applied using the ASTM E 2112 methodology appropriate for the opening into which the window is being installed.
- This product complies with ASTM E 1300-04.

REV. #	REVISIONS:	REVISED BY:	DATE:
1	UPDATED ANCHORS PER NEW TESTING.	T.D.D.	05/11/11
2	UPDATED ANCHORS PER TESTING.	T.D.D.	09/19/11
3	ADDED NOTE 10.	T.D.D.	01/09/12
.	.	.	.



1" INSULATED TEMPERED/ANNEALED IMPACT GLASS WITH 0.090" PVB INTERLAYER

DISCLOSURE STATEMENT
This document is the property of Simonton Windows, which retains all proprietary and other rights to its subject matter. This document is provided to the recipient on the expressed condition that it is not to be disclosed, reproduced in whole or part, nor used in conjunction with the design, manufacture or repair of goods for anyone other than Simonton Windows without its consent. This restriction does not limit the recipient's rights to utilize information contained in this document which is properly obtained from another source.

MATERIAL:

RMS FINISH: EXCEPT AS NOTED
ALLOY & TEMPER:
WEIGHT:
SURFACE AREA:
FINISH TREATMENT:

Dimensional Tolerances
Unless Otherwise Specified

Decimals Angles
.X ± .03
.XX ± .01
.XXX ± .005
0° 30 min.



W I N D O W S
1 Cochran Avenue
Pennsboro, WV 26415

SIZE: DRAWING NO.: REV:
B IN0519 3

DRAWN BY: DATE:
T.D.D. 04/12/11

CHECKED BY: DATE:

SCALE: SHEET: APPRVD BY: DATE:
FIT 2 of 2

SERIES: 08-20 AWNING IMPACT WINDOW

TITLE: NOTES & GLAZING DETAILS

FILE: IN0519