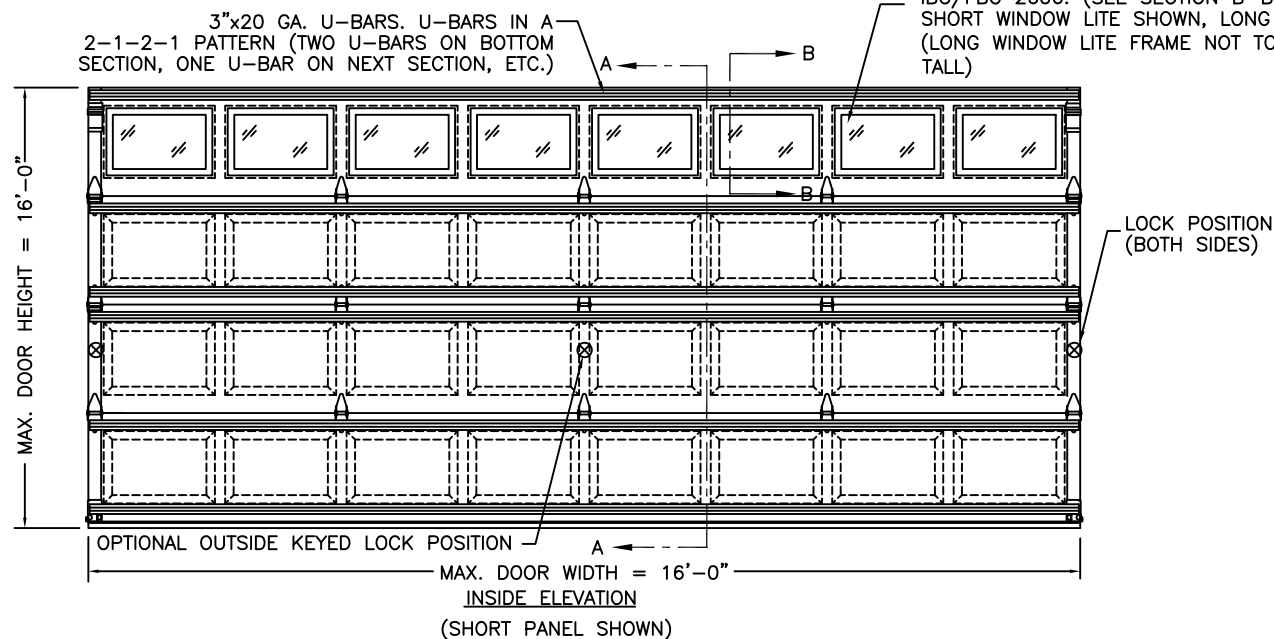


MODELS	2" THICK STYRENE	
CLOPAY/GALLERY	GD2SP, GR2SP	GD2LP, GR2LP
HOLMES/ARTISTRY	AR2SP	AR2LP
IDEAL/EXPRESSIONS	ED2SP	ED2LP
	SHORT PANEL	LONG PANEL

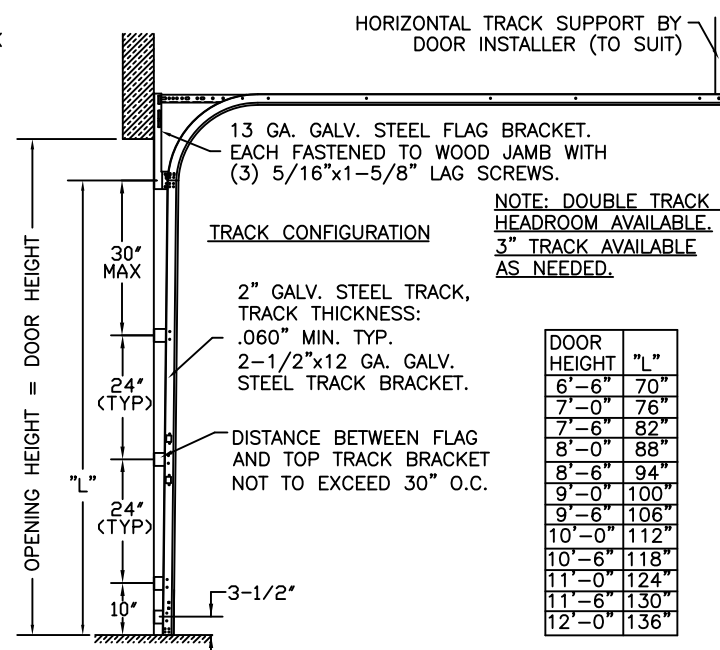
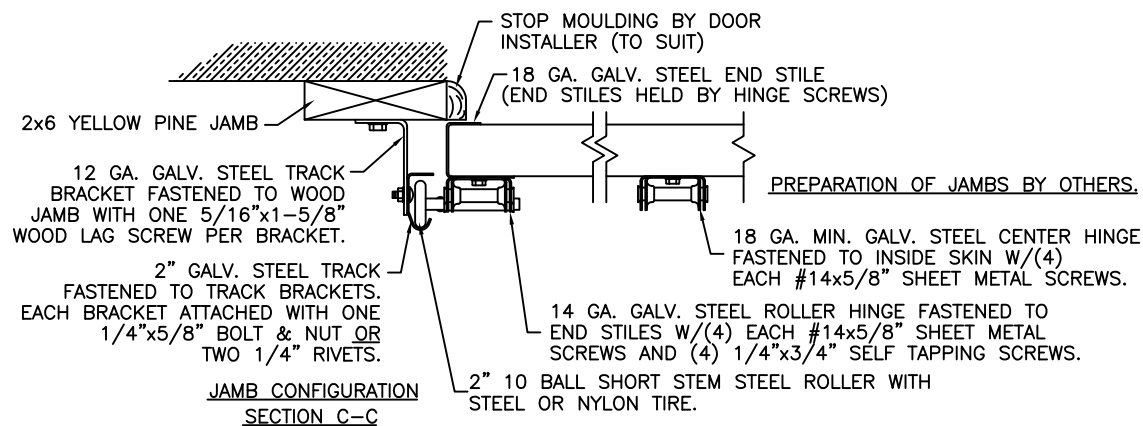
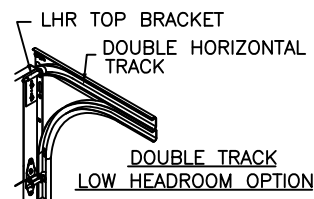
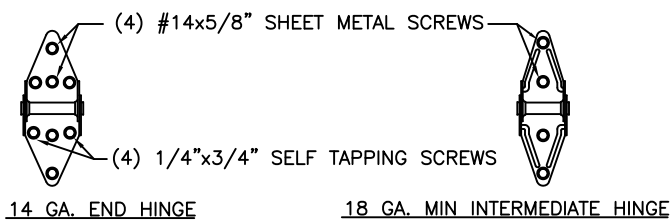
THE OPTIONAL GLAZING SHOWN ON THIS DRAWING MEETS THE WIND LOAD REQUIREMENTS OF THE FLORIDA BUILDING CODE OR INTERNATIONAL BUILDING CODE BUT DOES NOT MEET THE IMPACT RESISTANT REQUIREMENT FOR WINDBORNE DEBRIS REGIONS (REF. CHAPTER 16 FBC/IBC)

OPTIONAL WINDOW LITES DSB GLASS OR 1/8" ACRYLIC AVAILABLE. OPTIONAL ACRYLIC GLAZING IS PLASKOLITE OPTIX OR LUCITE CP APPROVED CC2 PLASTIC IN ACCORDANCE WITH IBC/FBC 2606. (SEE SECTION B-B) SHORT WINDOW LITE SHOWN, LONG WINDOW LITE ALSO AVAIL. (LONG WINDOW LITE FRAME NOT TO EXCEED 42" WIDE X 16" TALL)



VERTICAL JAMB ATTACHMENT (C-90 BLOCK OR 2,000 PSI MIN. CONCRETE COLUMN):
 3/8"x4" SLEEVE ANCHOR BOLTS ON 20" CENTERS (C-90 BLOCK) OR 24" CENTERS (2,000 PSI MIN. CONCRETE) OR 1/4"x4" TAPCON SCREWS ON 16-3/4" CENTERS (2,000 PSI MIN. CONCRETE). WASHERS INCLUDED WITH SLEEVE ANCHORS, 1" O.D. MIN. WASHERS REQUIRED WITH TAPCONS. ANCHORS MAY BE COUNTERSUNK (BUT NOT REQUIRED) TO PROVIDE A FLUSH MOUNTING SURFACE. HORIZONTAL JAMBS DO NOT TRANSFER LOAD.

VERTICAL JAMB ATTACHMENT (WOOD FRAME BUILDINGS):
 1/2"x3" LAG SCREWS ON 17.5" CENTERS. 1" O.D. MIN. WASHER REQUIRED. LAG SCREWS MAY BE COUNTERSUNK (BUT NOT REQUIRED) TO PROVIDE A FLUSH MOUNTING SURFACE. HORIZONTAL JAMBS DO NOT TRANSFER LOAD.

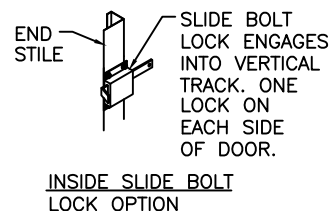
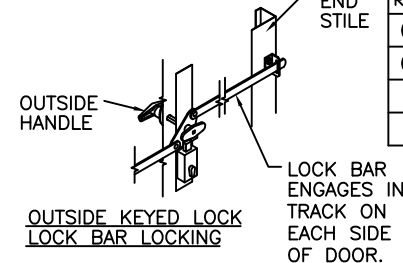


NOTE: THE DESIGN OF THE SUPPORTING STRUCTURAL ELEMENTS SHALL BE THE RESPONSIBILITY OF THE PROFESSIONAL OF RECORD FOR THE BUILDING OR STRUCTURE AND IN ACCORDANCE WITH CURRENT BUILDING CODES FOR THE LOADS LISTED ON THIS DRAWING.

Clopay
 Building Products
 Company

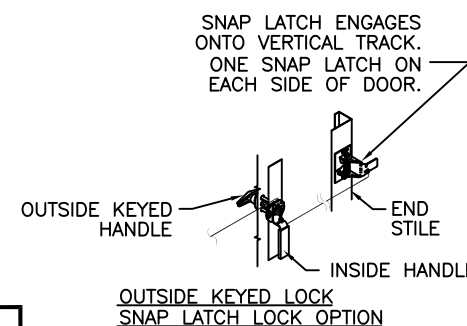
CLOPAY BUILDING PRODUCTS COMPANY
 8585 DUKE BLVD.
 MASON, OH 45040
 (513) 770-4800
 Clopay Corporation All Rights Reserved.

REV	DATE	DESCRIPTION
00	10/15/07	INITIAL RELEASE
01	11/2009	REVISED ELEVATION VIEW.

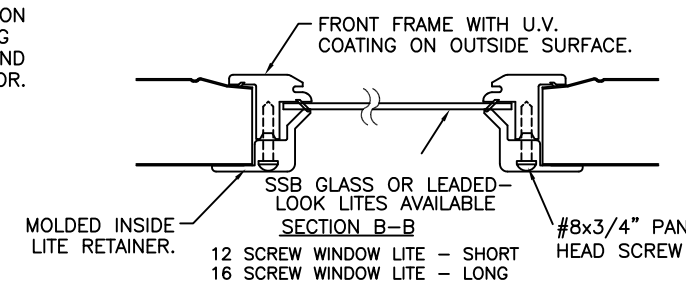
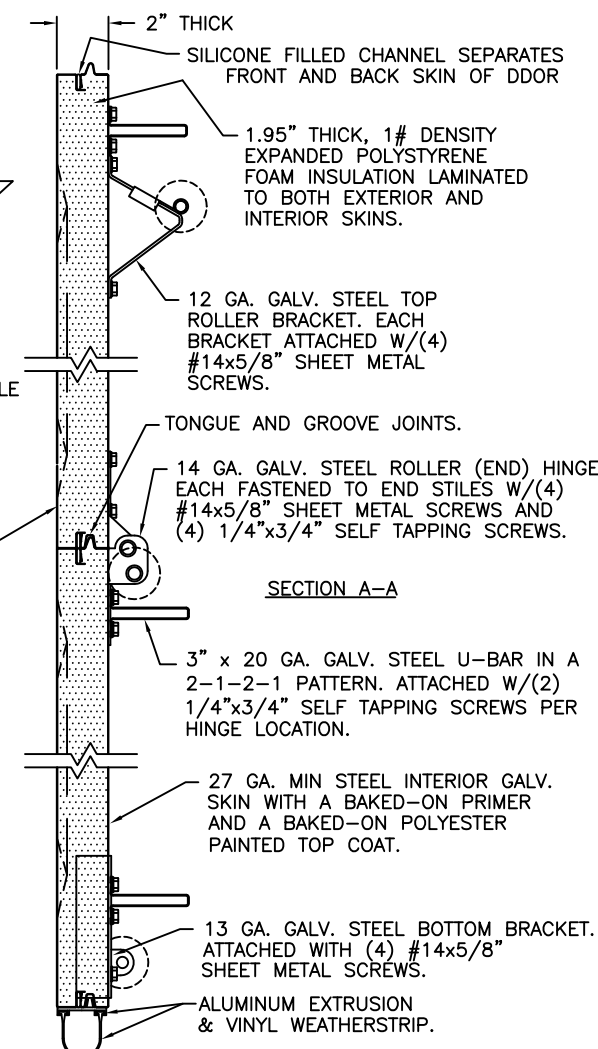


THIS DOOR MEETS OR EXCEEDS THE DESIGN LOADS FOR THE WIND SPEEDS LISTED BELOW ACCORDING TO THE FLORIDA BLDG. CODE OR IBC (ASCE7) FOR THE FOLLOWING CONDITIONS: 1) ENCLOSED BUILDING, 2) DOOR HAS 2' OF WIDTH IN BUILDING'S END ZONE, 3) IMPORTANCE FACTOR OF 1.0, 4) ANY ROOF SLOPE, AND 5) 50% SAFETY FACTOR.

WIND SPEED (MPH)	≤ 100	110	110	120
EXPOSURE LEVEL	B or C	B	C	B
MEAN ROOF HEIGHT	30'	30'	17'	30'



27 GA. MIN. STEEL EXT. GALV. SKIN WITH A BAKED-ON PRIMER AND A BAKED-ON POLYESTER PAINTED TOP COAT.



NOTE: TRACK CONFIGURATION ABOVE THE DOOR OPENING DOES NOT AFFECT THE WIND LOAD RATING OF THIS DOOR.

DESIGN ENGINEER: MARK WESTERFIELD, P.E.
 FLORIDA P.E. #48495, NC P.E. #23832, TEXAS P.E. #91513

DESIGN LOADS: +25.5 PSF & -25.5 PSF
 TEST LOADS: +38.0 PSF & -38.0 PSF

MANUFACTURING PRODUCT CODE DSIE-1F471	WINDLOAD RATING W4	MAX. SIZE: 16'0" x 12'0"
DATE: 10/15/07	DESCRIPTION: GALLERY 2" EPS DC +25.5/-25.5	
DRAWN BY: NAS	DRAWING NUMBER: B	VER: IBC
CHECKED BY:	104029	