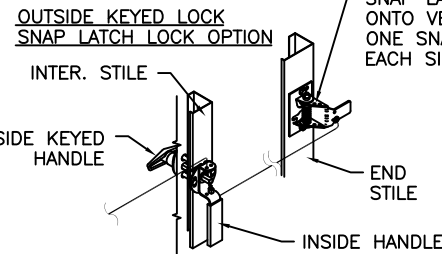
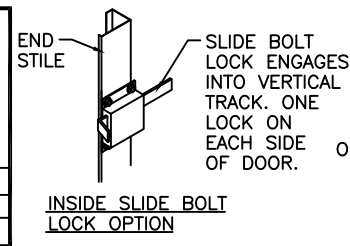


MODELS		INSULATED
STANDARD		
CLOPAY	G4S, GS4, G4L, GL4, GD4S, GD4L, GR4S, GR4L	G4SV, GS4V, G4LV, GL4V, GD4SV, GD4LV, GR4SV, GR4LV
IDEAL	E4S, E4L, ED4S, ED4L	E4SV, E4LV, ED4SV, ED4LV
HOLMES	SS4, SL4, AR4S, AR4L	SS4V, SL4V, AR4SV, AR4LV

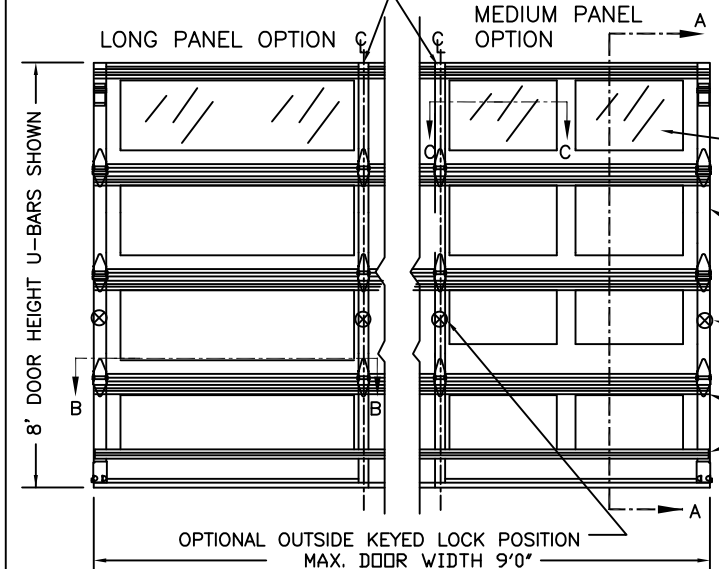
THIS DOOR MEETS OR EXCEEDS THE DESIGN LOADS FOR THE WIND SPEEDS LISTED BELOW ACCORDING TO THE FLORIDA BLDG. CODE OR IBC (ASCE7) FOR THE FOLLOWING CONDITIONS: 1) ENCLOSED BUILDING, 2) DOOR HAS 2' OF WIDTH IN BUILDING'S END ZONE, 3) IMPORTANCE FACTOR OF 1.0, 4) ANY ROOF SLOPE, AND 5) 50% SAFETY FACTOR.

WIND SPEED (MPH)	≤ 100	110	110	120
EXPOSURE LEVEL	B or C	B	C	B
MEAN ROOF HEIGHT	30'	30'	20'	30'



MIN. (1) INTERMEDIATE STILE ATTACHED W/ TOG-L-LOC (TOP & BOT) AND URETHANE ADHESIVE

DOOR AVAILABLE IN SHORT OR LONG EMBOSS. DOOR MAY CONSIST OF A MIXTURE OF LONG AND SHORT PANEL SECTIONS.

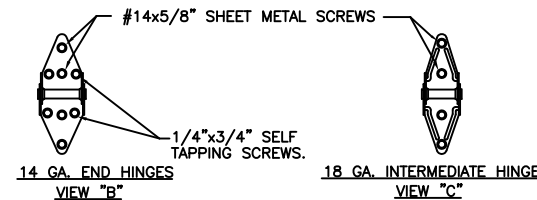


OPTIONAL WINDOW LITES DSB GLASS OR 1/8" ACRYLIC AVAILABLE. OPTIONAL ACRYLIC GLAZING IS PLASKOLITE OPTIX OR LUCITE CP APPROVED CC2 PLASTIC IN ACCORDANCE WITH IBC/FBC 2606. (SEE SECTION C-C) (MAX CUT-OUT NOT TO EXCEED 41-1/8" WIDE X 15-1/16" TALL)

20 GA. MIN. END STILES ATTACHED TO DOOR SKIN WITH PATENTED TOG-L-LOC SYSTEM (TOP, BOTTOM & CENTER).

LOCK POSITION (BOTH SIDES) TWO POINT LOCKING

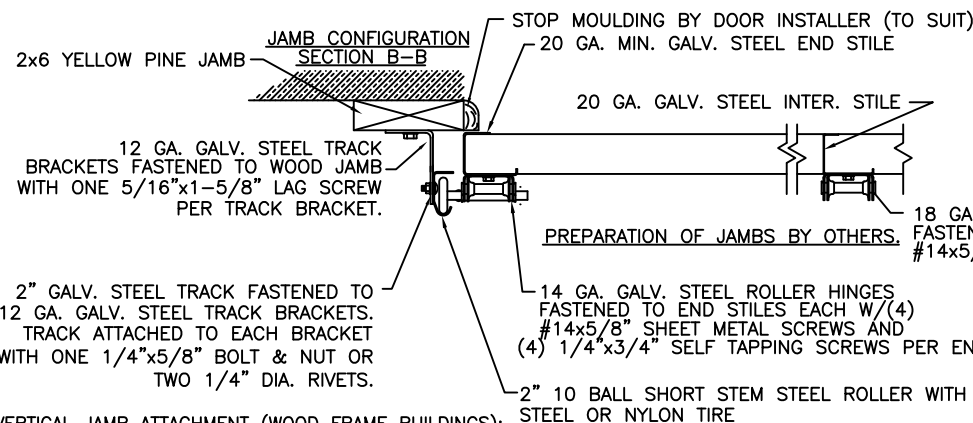
SECTIONS WITH ONE U-BAR: POSITION AT TOP OF SECTION AS SHOWN OVER HINGES. SECTIONS WITH TWO U-BARS: POSITION ONE AT TOP AND ONE AT BOTTOM OF SECTION ABOVE HINGE OR ABOVE BOTTOM BRACKET AS SHOWN. (SEE HEIGHT CHART FOR U-BAR ARRANGEMENT)



VERTICAL JAMB ATTACHMENT (C-90 BLOCK OR 2,000 PSI MIN. CONCRETE COLUMN): 3/8"x4" SLEEVE ANCHOR BOLTS ON 24" CENTERS (BOTH C-90 BLOCK OR 2,000 PSI MIN. CONCRETE) OR 1/4"x4" TAPCON SCREWS ON 24" CENTERS (2,000 PSI MIN. CONCRETE). WASHERS INCLUDED WITH SLEEVE ANCHORS, 1" O.D. WASHERS REQUIRED WITH TAPCONS. ANCHORS MAY BE COUNTERSUNK (BUT NOT REQUIRED) TO PROVIDE A FLUSH MOUNTING SURFACE. HORIZONTAL JAMBS DO NOT TRANSFER LOAD.

LITE FASTENER QUANTITY TABLE

WINDOW LITE OPTION	# OF SCREWS
SHORT RECT	12
DOUBLE ARCH	14
SINGLE ARCH	15
LONG RECT	16

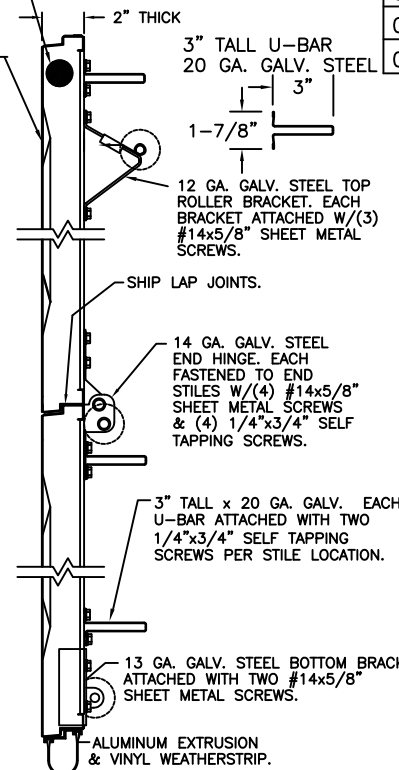


VERTICAL JAMB ATTACHMENT (WOOD FRAME BUILDINGS): 1/2"x3" LAG SCREWS ON 24" CENTERS. 1" O.D. WASHER REQUIRED. LAG SCREWS MAY BE COUNTERSUNK (BUT NOT REQUIRED) TO PROVIDE A FLUSH MOUNTING SURFACE. HORIZONTAL JAMBS DO NOT TRANSFER LOAD.

NOTE 2: THE DESIGN OF THE SUPPORTING STRUCTURAL ELEMENTS SHALL BE THE RESPONSIBILITY OF THE PROFESSIONAL OF RECORD FOR THE BUILDING OR STRUCTURE AND IN ACCORDANCE WITH CURRENT BUILDING CODES FOR THE LOADS LISTED ON THIS DRAWING.

1# DENSITY POLYSTYRENE FOAM INSULATION 1-5/16" THICK WITH VINYL HAIRCELL BACKER (INSULATED MODELS ONLY)

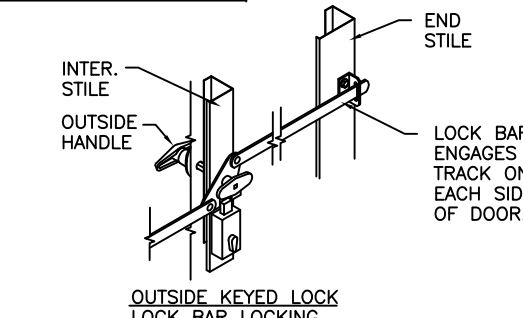
SECTION A-A (SIDE VIEW)



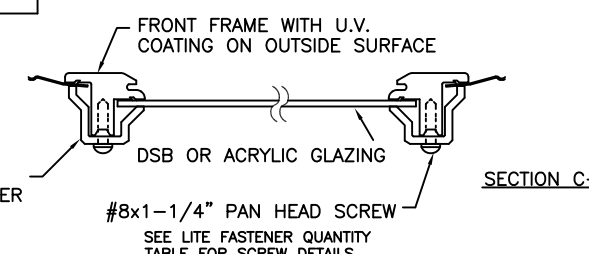
GALLERY 24GA W4-09

NO. OF U-BARS PER SECTION

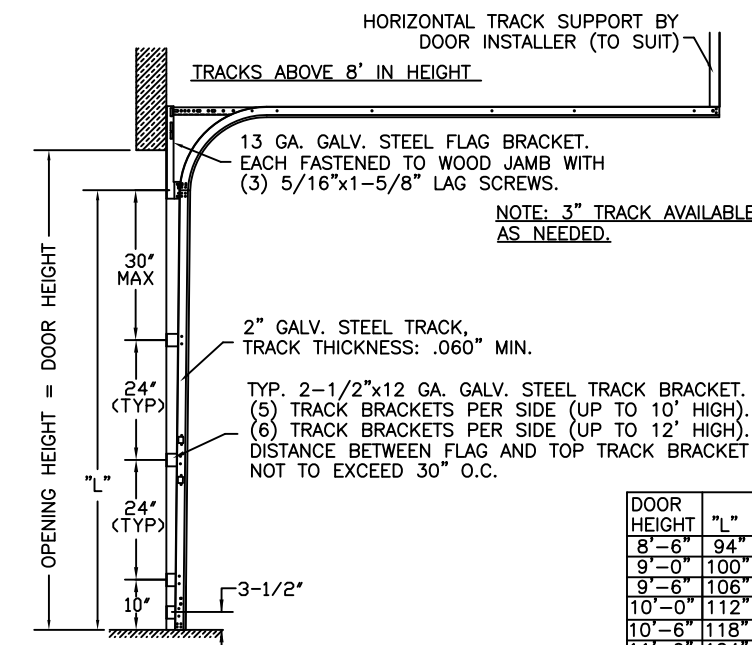
DOOR HEIGHT	SECTION NUMBER	NO. OF U-BARS PER SECTION					
		1	2	3	4	5	6
6	0	2	1	1	1	-	-
6	3	-	-	-	-	-	-
6	6	-	-	-	-	-	-
6	9	-	-	-	-	-	-
7	0	1	1	1	1	-	-
7	3	1	1	1	2	-	-
7	6	2	1	1	1	-	-
7	9	2	1	1	1	-	-
8	0	2	1	1	1	-	-
8	3	-	-	-	-	-	-
8	6	-	-	-	-	-	-
8	9	1	1	1	1	-	-
9	0	1	1	1	2	-	-
9	3	2	1	1	1	-	-
9	6	2	1	1	1	-	-
9	9	2	1	1	1	-	-
10	0	2	1	1	1	-	-
10	3	-	-	-	-	-	-
10	6	1	1	1	1	-	-
10	9	1	1	1	1	-	-
11	0	2	1	1	1	-	-
11	3	2	1	1	1	-	-
11	6	2	1	1	1	-	-
11	9	2	1	1	1	-	-
12	0	2	1	1	1	-	-



THE OPTIONAL GLAZING SHOWN ON THIS DRAWING MEETS THE WIND LOAD REQUIREMENTS OF THE FLORIDA BUILDING CODE OR INTERNATIONAL BUILDING CODE BUT DOES NOT MEET THE IMPACT RESISTANT REQUIREMENT FOR WINDBORNE DEBRIS REGIONS (REF. CHAPTER 16 FBC/IBC)

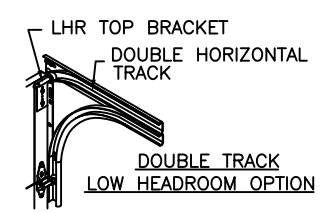
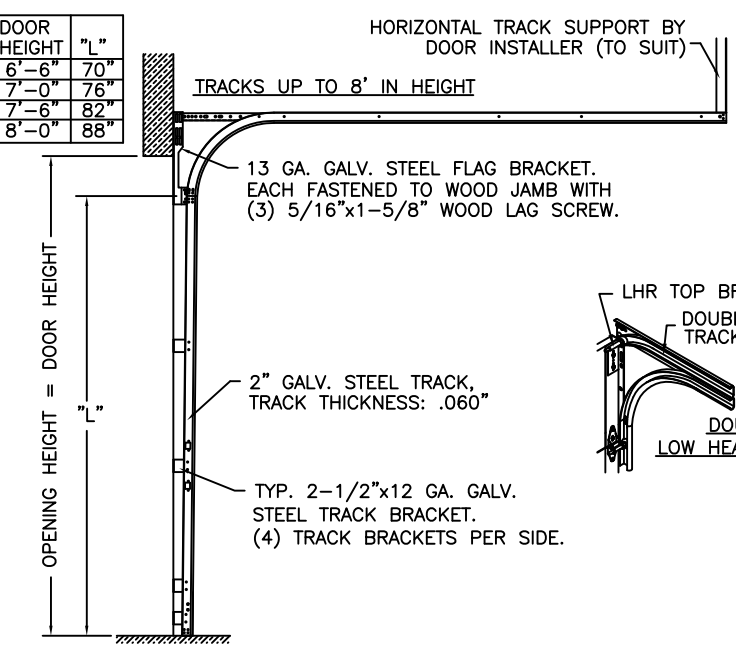


REV	DATE	DESCRIPTION
02	09/26/05	ADDED ROLLER OPTION; REVISED MAX NEGATIVE LOAD
03	02/24/06	UPDATED JAMB BRACKET NOTE
04	04/30/07	ADDED NEW MODEL NUMBERS
05	07/26/07	ADDED UPDATED GLAZING OPTION
06	12/05/07	ADDED LONG WINDOW LITE OPTION



DOOR HEIGHT	"L"
8'-6"	94"
9'-0"	100"
9'-6"	106"
10'-0"	112"
10'-6"	118"
11'-0"	124"
11'-6"	130"
12'-0"	136"

DOOR HEIGHT	"L"
6'-6"	70"
7'-0"	76"
7'-6"	82"
8'-0"	88"



ORIGINAL DRAWINGS ARE SIGNED IN BLUE INK WITH A RAISED SEAL (EMBOSS).

DESIGN ENGINEER: MARK WESTERFIELD, P.E. FLORIDA P.E. #48495, NC P.E. #23832, TEXAS P.E. #91513

DESIGN LOADS: +25.0 P.S.F. & -32.0 P.S.F. TEST LOADS: +37.5 P.S.F. & -48.0 P.S.F.



CLOPAY BUILDING PRODUCTS COMPANY
8585 DUKE BLVD.
MASON, OH 45040
(513) 770-4800

Clopay Corporation All Rights Reserved.

MANUFACTURING PRODUCT CODE
MPC: PAN-2F441

DATE: 5/31/05

DRAWN BY: RJK

CHECKED BY:

WINDLOAD RATING
W4

MAX. DOOR SIZE:
9'W x 12'H

DESCRIPTION: G4S, G4SV, G4L, G4LV;
9'W +25/-32

DRAWING NUMBER:
B 103486