

SNR SOLAR LLC. DBA SNAPNRACK MIAMI-DADE TEST REPORT

SCOPE OF WORK

TAS 100(A)-23 TESTING ON ALPHATRACK (SPECIMEN H AND I)

REPORT NUMBER

S1175.01-109-18 R1

TEST DATE

12/18/24

ISSUE DATE

01/21/25

REVISION DATE

02/05/25

MIAMI-DADE COUNTY NOTIFICATION NO.

ATI 24088

LABORATORY CERTIFICATION NO.

22-0428.14

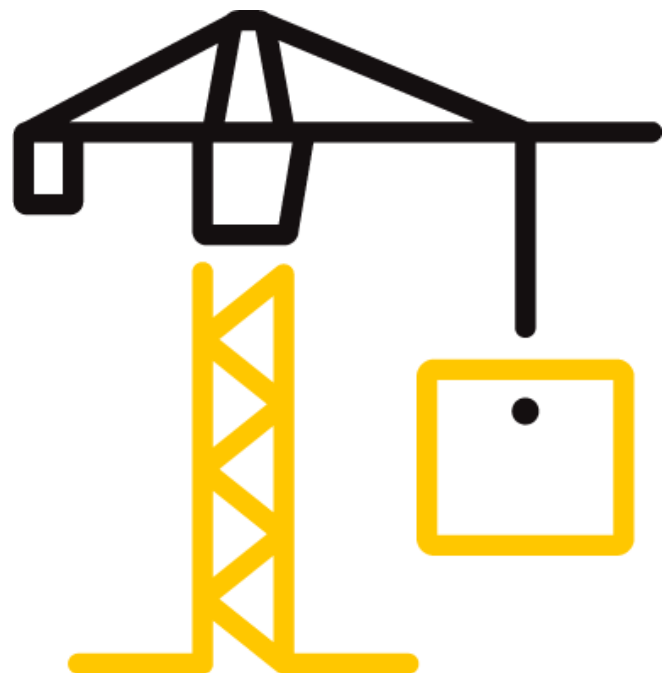
PAGES

18

DOCUMENT CONTROL NUMBER

RT-R-AMER-Test-7808 (06/05/24)

© 2019 INTERTEK





Total Quality. Assured.

130 Derry Court
York, Pennsylvania 17406

Telephone: 717-764-7700
Facsimile: 717-764-4129
www.intertek.com/building

TEST REPORT FOR SNR SOLAR LLC. DBA SNAPNRACK

Report No.: S1175.01-109-18 R1

Date: 01/21/25

Revision 1: 02/05/25

REPORT ISSUED TO

SNR SOLAR LLC. DBA SNAPNRACK

775 Fiero Lane, Suite 200

San Luis Obispo, California 93401

SECTION 1

SCOPE

Architectural Testing, Inc. (an Intertek company) dba Intertek Building & Construction (B&C) was contracted by SNR Solar LLC. dba SnapNrack to perform TAS 100(A) testing in accordance with Miami-Dade County requirements on AlphaTrack in rafter and deck mounted configurations (Specimen H and I). Results obtained are tested values and were secured by using the designated test method(s). Testing was conducted at the Intertek B&C test facility in York, Pennsylvania.

For INTERTEK B&C:

COMPLETED BY:	Christopher E. Sartalis	REVIEWED BY:	Tanya A. Dolby, P.E.
TITLE:	Technician – Product Testing	TITLE:	Engineering Manager – Engineering Services
SIGNATURE:		SIGNATURE:	
DATE:	02/05/25	DATE:	02/05/25

CES:mas

This report is for the exclusive use of Intertek's Client and is provided pursuant to the agreement between Intertek and its Client. Intertek's responsibility and liability are limited to the terms and conditions of the agreement. Intertek assumes no liability to any party, other than to the Client in accordance with the agreement, for any loss, expense or damage occasioned by the use of this report. Only the Client is authorized to permit copying or distribution of this report and then only in its entirety. Any use of the Intertek name or one of its marks for the sale or advertisement of the tested material, product or service must first be approved in writing by Intertek. The observations and test results in this report are relevant only to the sample(s) tested. This report by itself does not imply that the material, product, or service is or has ever been under an Intertek certification program.

TEST REPORT FOR SNR SOLAR LLC. DBA SNAPNRACK

Report No.: S1175.01-109-18 R1

Date: 01/21/25

Revision 1: 02/05/25

SECTION 2

TEST METHOD

The specimen was evaluated in accordance with the following:

TAS 100 (A)-23, *Test Procedure for Wind and Wind Driven Rain Resistance and/or Increased Windspeed Resistance of Soffit Ventilation Strip and Continuous or Intermittent Ventilation System Installed at the Ridge Area.*

SECTION 3

MATERIAL SOURCE

Test sample materials were provided by the client from SNR Solar LLC. dba SnapNrack located at San Luis Obispo, California. Representative samples of the test specimen(s) will be retained by Intertek B&C for a minimum of ten years from the test completion date.

SECTION 4

EQUIPMENT/CALIBRATION

Wind Generator - Vane Axial Fan Y00346

Scale – 65571

Stopwatch – INT00975

Weather Station – 63316

Windstream, water supply, and water distribution calibration were performed prior to testing. Reference Intertek B&C Calibration Report No. R5185.05-109-18, dated 11/04/24, for descriptions and results.

SECTION 5

LIST OF OFFICIAL OBSERVERS

NAME	COMPANY
Tyler J. Holland	Intertek B&C
Timothy J. McGill	Intertek B&C
Tanya A. Dolby, P.E.	Intertek B&C
Christopher E. Sartalis	Intertek B&C

TEST REPORT FOR SNR SOLAR LLC. DBA SNAPNRACK

Report No.: S1175.01-109-18 R1

Date: 01/21/25

Revision 1: 02/05/25

SECTION 6

TEST SPECIMEN DESCRIPTION

Manufacturer: SNR Solar LLC. dba SnapNrack

Series/Model: AlphaTrack

Product Type: Deck and Rafter Mount, (Specimen H & I)

Roof Deck Description: An 8'0" wide by 6'0" long roof deck on a 2:12 slope was utilized. The roof deck consisted of #2 Spruce-Pine Fir normal 2x6 intermediate supports sheathed with APA 32/16 span rated 15/32" plywood sheathing. The intermediate supports were spaced 24" on center. The plywood was secured to the rafters with 8d common nails spaced 6" on center around the perimeter and 12" on center at the intermediate supports. The plywood sheathing was covered with 30# felt underlayment and three-tab shingles.

AlphaTrack Installation/Description: The mounts were constructed of 2-7/16" wide by 5-3/4" long by 1-1/4" high, 3/16" thick extruded aluminum. Approximately 18" down from the ridge, two 3/16" pilot holes, one per mount, were drilled down through the shingles and sheathing and into the rafter. The butyl pads on the bottom of the mounts were adhered to the shingle over the pilot holes. A total of four specimens were installed on the test deck. Two of the specimens were fastened using one 5/16" x 4-1/2" lag screws with EPDM backed washers, through the center hole of the mount, through the sheathing, and into the rafter. Two specimens were fastened using two SnapNrack DeckAnchors (2.5) with EPDM washer, through the mount, and into the sheathing.

TEST REPORT FOR SNR SOLAR LLC. DBA SNAPNRACK

Report No.: S1175.01-109-18 R1

Date: 01/21/25

Revision 1: 02/05/25

SECTION 7

TEST RESULTS

Protocol TAS 100(A)-23, Test Procedure for Wind and Wind Driven Rain Resistance and/or Increased Windspeed Resistance of Soffit Ventilation Strip and Continuous or Intermittent Ventilation System Installed at the Ridge Area.

Test Date(s): 12/18/24

The temperature during testing was 8°C (46°F). The results are tabulated as follows:

Test Procedure: The wind speed intervals were conducted as follows:

Interval No.	Wind Speed (mph)	Time (min)	Water Spray
1	35	15	On
2	0	5	Off
3	70	15	On
4	0	5	Off
5	90	15	On
6	0	5	Off
7	110	5	On
8	0	5	Off

Test Results: The TAS 100(A) test results are as follows:

Wind Speed	Results
35 mph	0.0 oz.
70 mph	0.0 oz.
90 mph	0.0 oz.
110 mph	0.0 oz.

Result(s): Pass

Note 1: Tested at a 2:12 roof pitch.

TEST REPORT FOR SNR SOLAR LLC. DBA SNAPNRACK

Report No.: S1175.01-109-18 R1

Date: 01/21/25

Revision 1: 02/05/25

SECTION 8

CONCLUSION

The specimen(s) tested met the performance requirements set forth in the protocols.

This report does not constitute certification of this product nor an opinion or endorsement by this laboratory. Intertek B&C will service this report for the entire test record retention period. The test record retention period ends ten years after the test date. Test records, such as detailed drawings, datasheets, representative samples of test specimens, or other pertinent project documentation, will be retained for the entire test record retention period.

Unless differently required, Intertek reports apply the "Simple Acceptance" rule also called "Shared Risk approach," of ILAC-G8:09/2019, Guidelines on Decision Rules and Statements of Conformity.

TEST REPORT FOR SNR SOLAR LLC. DBA SNAPRACK

Report No.: S1175.01-109-18 R1

Date: 01/21/25

Revision 1: 02/05/25

SECTION 9 PHOTOGRAPHS



Photo No. 1
Top Side Before Testing



Photo No. 2
Underside Before Testing

TEST REPORT FOR SNR SOLAR LLC. DBA SNAPRACK

Report No.: S1175.01-109-18 R1

Date: 01/21/25

Revision 1: 02/05/25



Photo No. 3
35 MPH Top Side



Photo No. 4
35 MPH Underside

TEST REPORT FOR SNR SOLAR LLC. DBA SNAPNRACK

Report No.: S1175.01-109-18 R1

Date: 01/21/25

Revision 1: 02/05/25



Photo No. 5
70 MPH Top Side



Photo No. 6
70 MPH Underside

TEST REPORT FOR SNR SOLAR LLC. DBA SNAPRACK

Report No.: S1175.01-109-18 R1

Date: 01/21/25

Revision 1: 02/05/25



Photo No. 7
90 MPH Top side



Photo No. 8
90 MPH Underside

TEST REPORT FOR SNR SOLAR LLC. DBA SNAPRACK

Report No.: S1175.01-109-18 R1

Date: 01/21/25

Revision 1: 02/05/25



Photo No. 9
110 MPH Top Side



Photo No. 10
110 MPH Underside

TEST REPORT FOR SNR SOLAR LLC. DBA SNAPRACK

Report No.: S1175.01-109-18 R1

Date: 01/21/25

Revision 1: 02/05/25



Photo No. 11
Post Test Top Side



Photo No. 12
Post Test Underside



Total Quality. Assured.

130 Derry Court
York, Pennsylvania 17406

Telephone: 717-764-7700
Facsimile: 717-764-4129
www.intertek.com/building

TEST REPORT FOR SNR SOLAR LLC. DBA SNAPNRACK

Report No.: S1175.01-109-18 R1

Date: 01/21/25

Revision 1: 02/05/25

SECTION 10

DRAWINGS

The test specimen drawings have been reviewed by Intertek B&C and are representative of the test specimen(s) reported herein. Test specimen construction was verified by Intertek B&C per the drawings included in this report. Any deviations are documented herein or on the drawings.

NOTES:

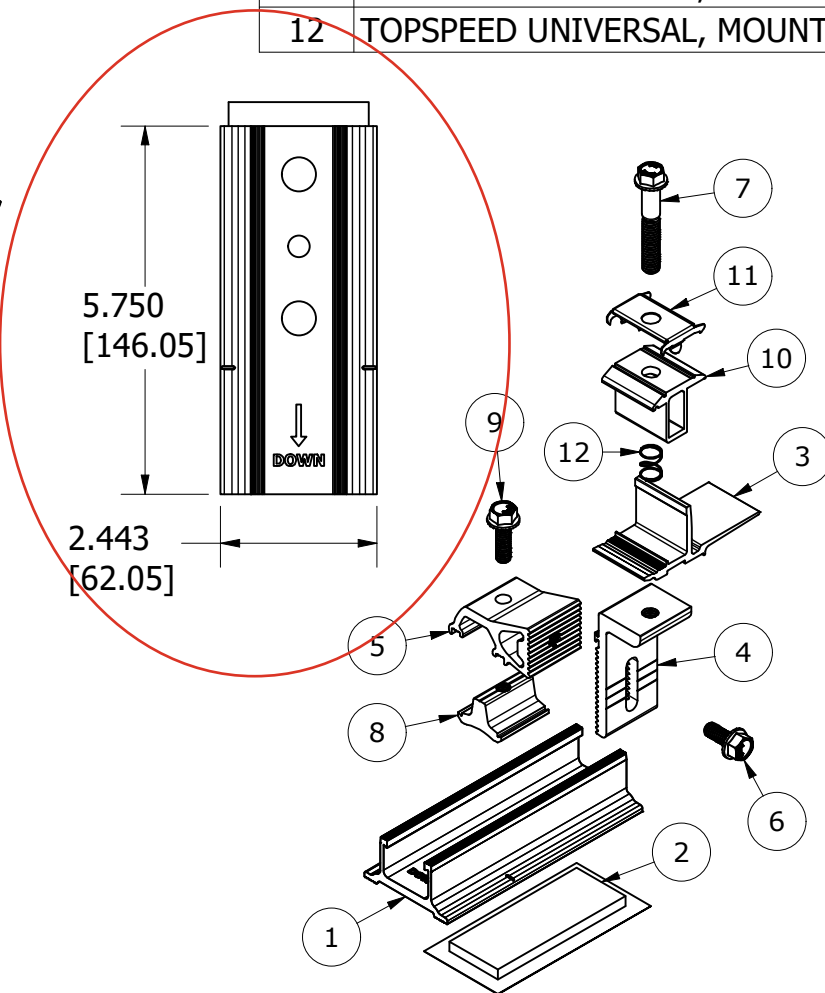
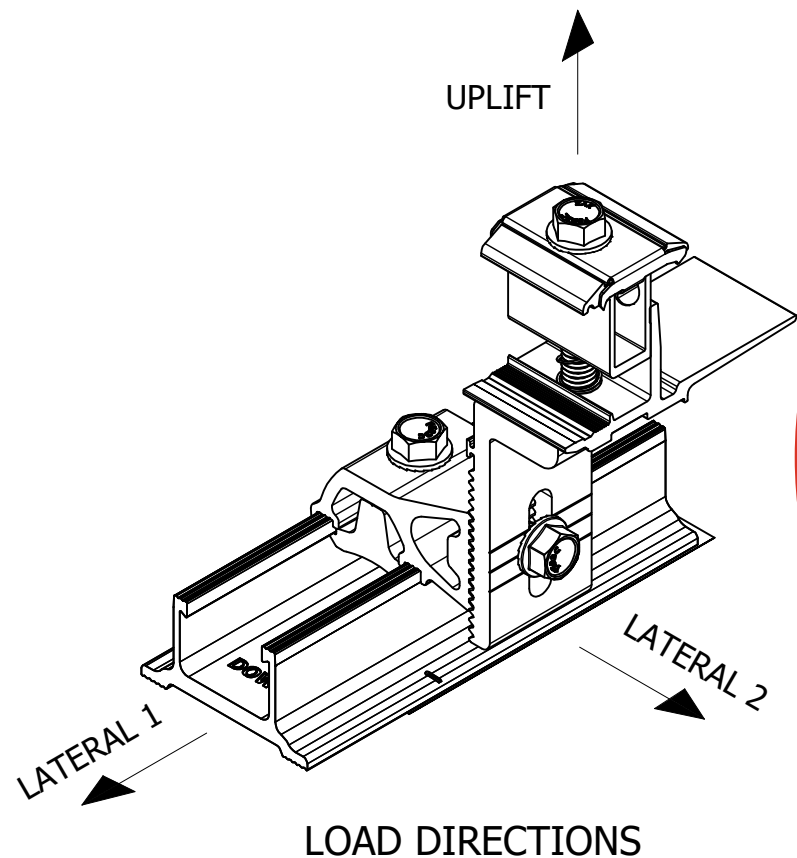
1. THIS SYSTEM COMPLIES WITH THE 8TH EDITION (2023) FLORIDA BUILDING CODE, INCLUDING HVHZ
2. THIS SYSTEM HAS BEEN TESTED TO THE TAS100(A) AND ASTM D7147 STANDARDS. IMPACT RESISTANCE IS NOT REQUIRED, AS IT IS NOT PART OF THE BUILDING ENVELOPE
3. INSTALLATIONS MUST FOLLOW THE SNAPRACK ULTRA RAIL SYSTEM INSTALLATION MANUAL
4. PV PANELS ARE NOT PART OF THIS APPROVAL
5. DESIGN OF THE ROOF SUBSTRATE AND STRUCTURE IS THE RESPONSIBILITY OF THE ENGINEER OF RECORD (EOR) AND IS NOT PART OF THIS APPROVAL
6. ALL ANCHORS FASTENING ATTACHMENTS TO THE ROOF SUBSTRATE MUST BE CORROSION RESISTANT

BOM: ALPHATRACK, DELTATRACK, AND TOPSPEED UNIVERSAL PRODUCTS

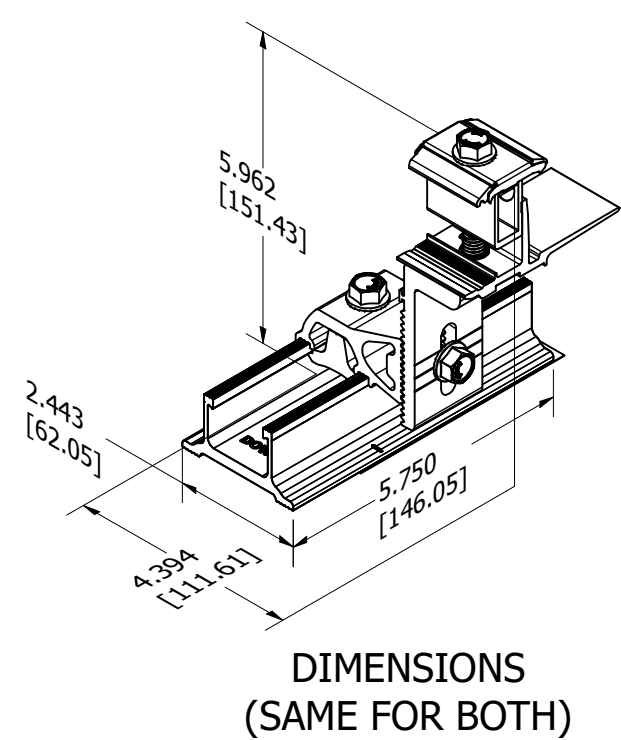
ITEM	DESCRIPTION	MATERIAL	MIN YIELD (KSI)	MINIMUM ULTIMATE (KSI)
1	ALPHATRACK / DELTATRACK	ALUMINUM, 6000 SERIES	34	38
2	SPEEDSEAL+ FLASHING SYSTEM	BUTYL RUBBER	N/A	N/A
3	TOPSPEED UNIVERSAL, MOUNT BOTTOM	ALUMINUM, 6000 SERIES	34	38
4	TOPSPEED UNIVERSAL, LEVELER	ALUMINUM, 6000 SERIES	34	38
5	TOPSPEED UNIVERSAL, RISER	ALUMINUM, 6000 SERIES	34	38
6	BOLT, FLANGE, 5/16IN-18 X 3/4IN	STAINLESS STEEL, 300 SERIES	60	95
7	BOLT, FLANGE, 3/8IN-16 X 2-3/4IN	STAINLESS STEEL, 300 SERIES	60	95
8	DROP IN/ROCK IN CHANNEL NUT	ALUMINUM, 6000 SERIES	34	38
9	BOLT, FLANGE, 5/16IN-18 X 1IN	STAINLESS STEEL, 300 SERIES	60	3
10	TOPSPEED UNIVERSAL, MOUNT TOP	ALUMINUM, 6000 SERIES	34	38
11	TOPSPEED UNIVERSAL, BONDING CLIP	STAINLESS STEEL, 300 SERIES	N/A	N/A
12	TOPSPEED UNIVERSAL, MOUNT SPRING	STAINLESS STEEL, 300 SERIES	N/A	N/A

REVISION:

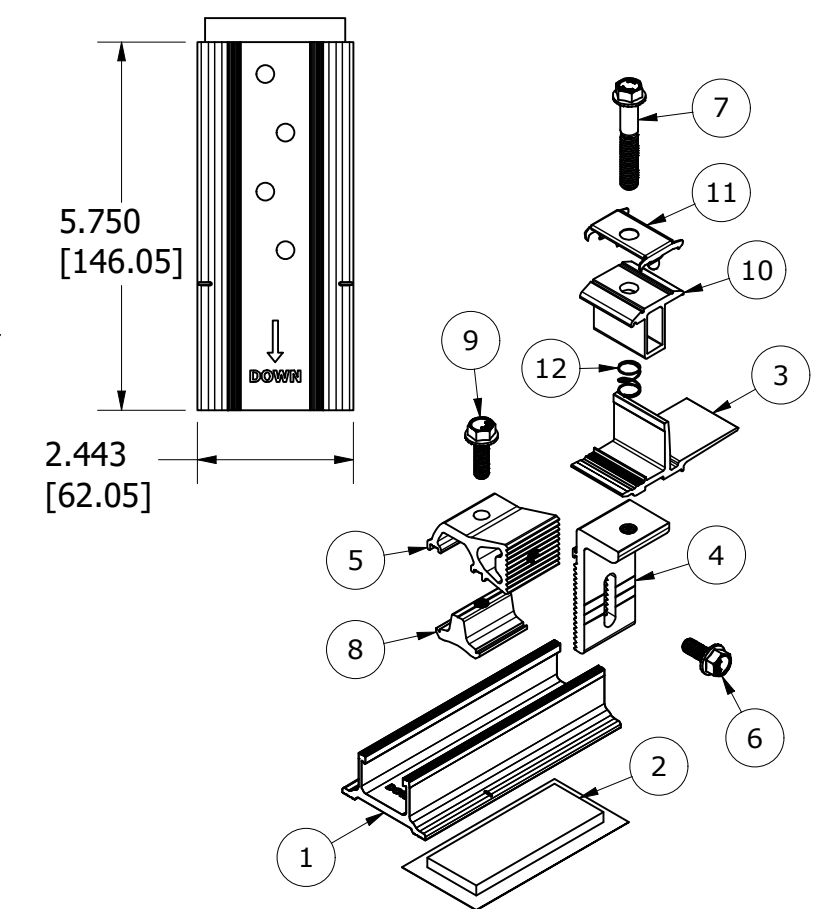
REV	DATE	DESCRIPTION
A	2/3/2025	RELEASED MKW



ALPHATRACK



DIMENSIONS (SAME FOR BOTH)

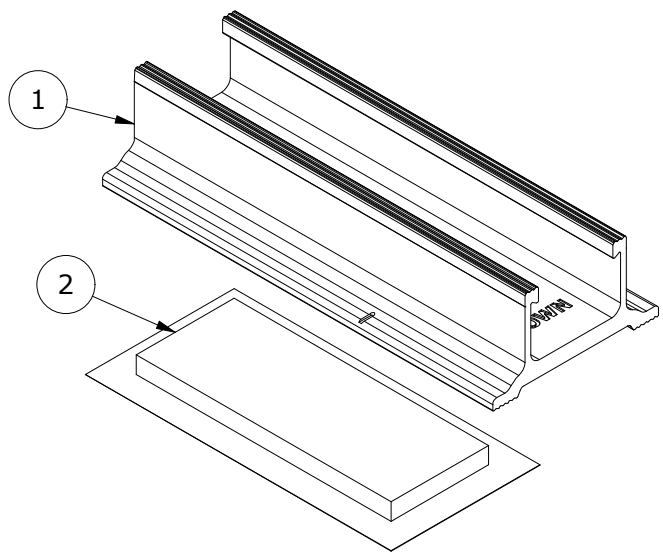
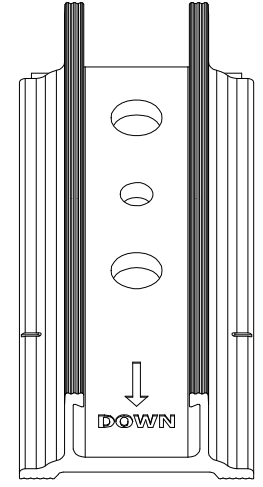
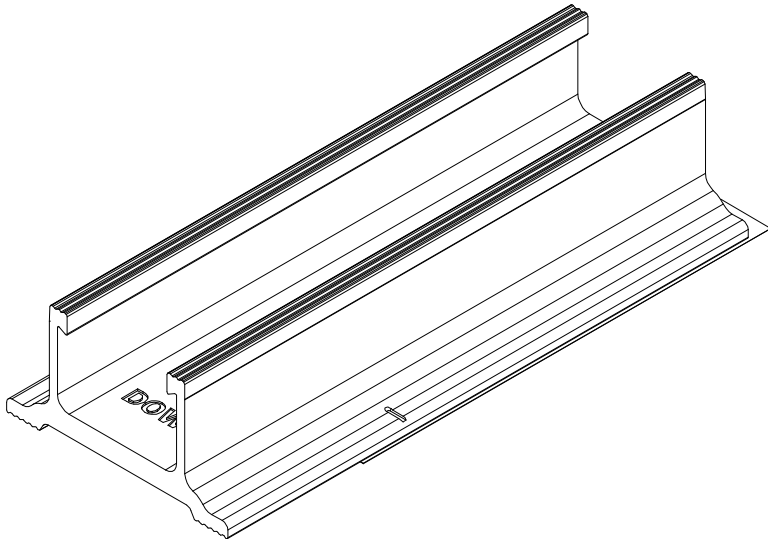


DELTATRACK

PE SIGNATURE:	PE DATE:	DESCRIPTION:	DRAWING NUMBER:	REV:
		TOPSPEED UNIVERSAL PV MOUNTING SYSTEM WITH ALPHATRACK AND DELTATRACK ROOF ATTACHMENTS	SNR-DC-00486	A
SNR SOLAR LLC	775 FIERO LANE, SUITE 200 SAN LUIS OBISPO, CA 93401 CONTACT@SNAPRACK.COM	UNITS: IN, LB, DEG [MM, KG, DEG]	DATE: 2/3/2025	SHEET SIZE: 11 IN X 17 IN
			SCALE: NTS	SHEET NUMBER: 1 OF 4

DESCRIPTION: SNAPNRACK, ALPHATRACK		DOC NUMBER: SNR-DC-01421	<h1>SnapNrack®</h1>
PART NUMBER(S): 242-10063		DRAWN BY: M.WATKINS	
UNITS: IN, LB, DEG [MM, KG, DEG]	SHEET: 1:2	REV: A	DATE: 9/16/2024

SNR SOLAR LLC
775 FIERO LANE, SUITE 200
SAN LUIS OBISPO, CA 93401 USA
EMAIL: CONTACT@SNAPNRACK.COM
THE INFORMATION IN THIS DRAWING IS CONFIDENTIAL AND PROPRIETARY. ANY REPRODUCTION, DISCLOSURE, OR USE THEREOF IS PROHIBITED WITHOUT THE WRITTEN CONSENT OF SNR SOLAR LLC.



PARTS LIST

ITEM	QTY	DESCRIPTION
1	1	SNAPNRACK, ALPHATRACK, MILL
2	1	SNAPNRACK, BUTYL PAD, 3.75IN X 1.50IN X .25IN

Report #:	S1175.01
Date:	01/14/25
Verified by:	<i>Charles E. Jette</i>

MATERIALS:	6000 SERIES ALUMINUM, BUTYL
DESIGN LOAD (LBS):	VARIABLE, REFER TO SNAPNRACK ENGINEERING
ULTIMATE LOAD (LBS):	VARIABLE, REFER TO SNAPNRACK ENGINEERING
TORQUE SPECIFICATION:	N/A FT-LBS
CERTIFICATION:	UL 2703, FILE E359313
WEIGHT (LBS):	0.43

DESCRIPTION:
SNAPNRACK, ALPHATRACK

DOC NUMBER:
SNR-DC-01421

SnapNrack®

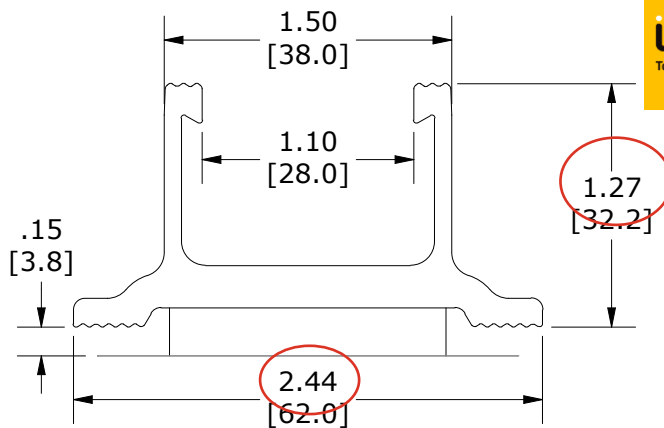
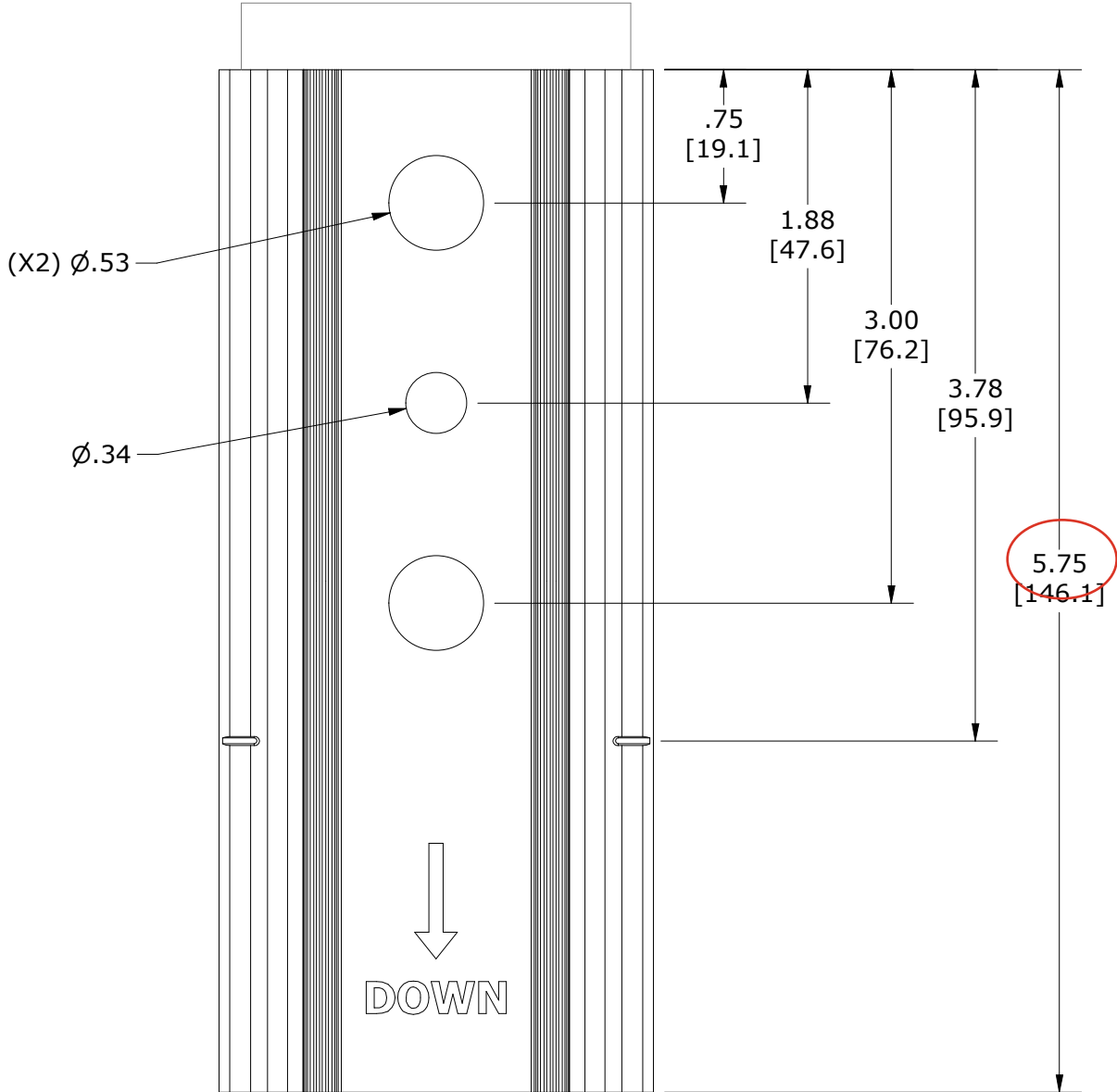
PART NUMBER(S):
242-10063

DRAWN BY:
M.WATKINS

SNR SOLAR LLC
775 FIERO LANE, SUITE 200
SAN LUIS OBISPO, CA 93401 USA
EMAIL: CONTACT@SNAPNRACK.COM
THE INFORMATION IN THIS DRAWING IS CONFIDENTIAL AND PROPRIETARY. ANY REPRODUCTION, DISCLOSURE, OR USE THEREOF IS PROHIBITED WITHOUT THE WRITTEN CONSENT OF SNR SOLAR LLC.

UNITS: IN, LB, DEG [MM, KG, DEG] SHEET: 2:2

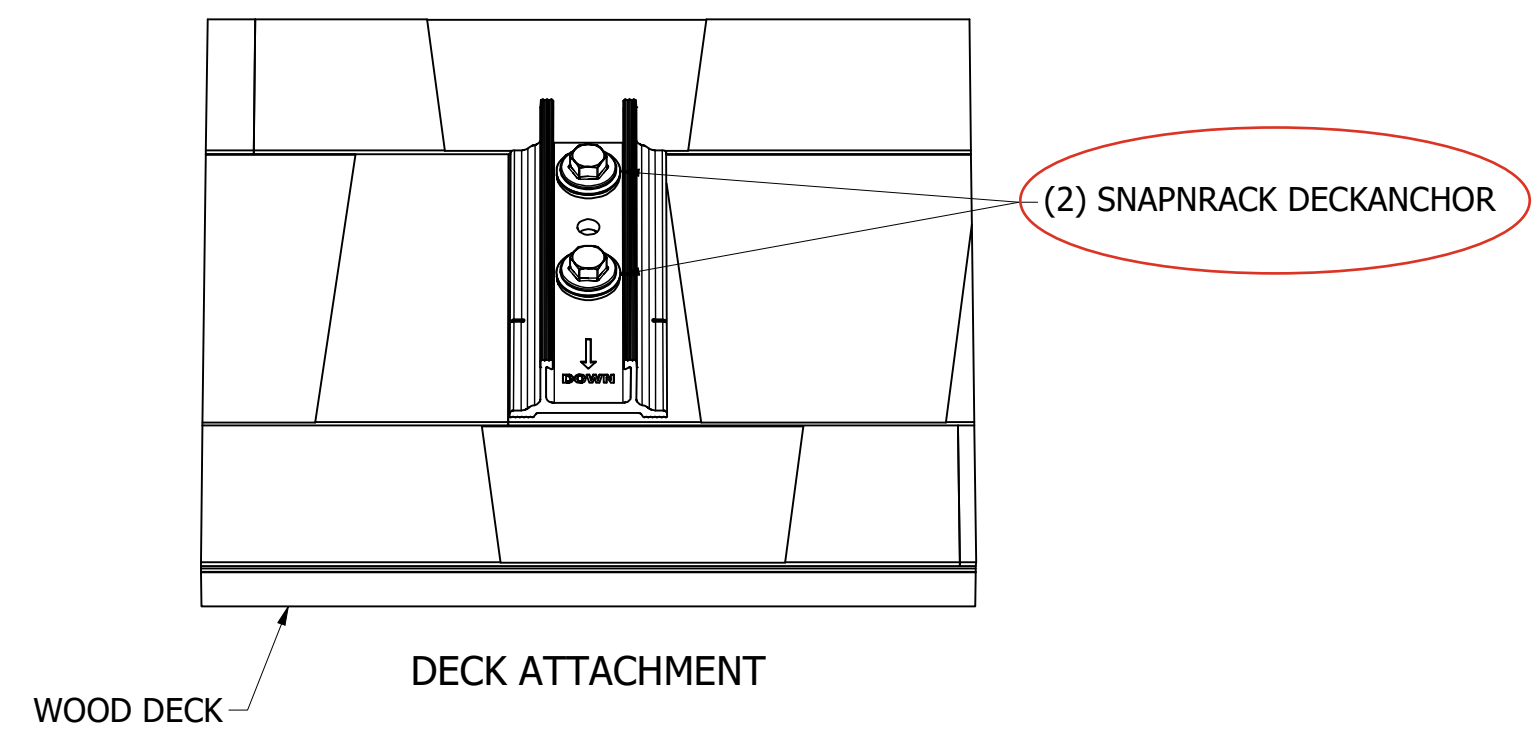
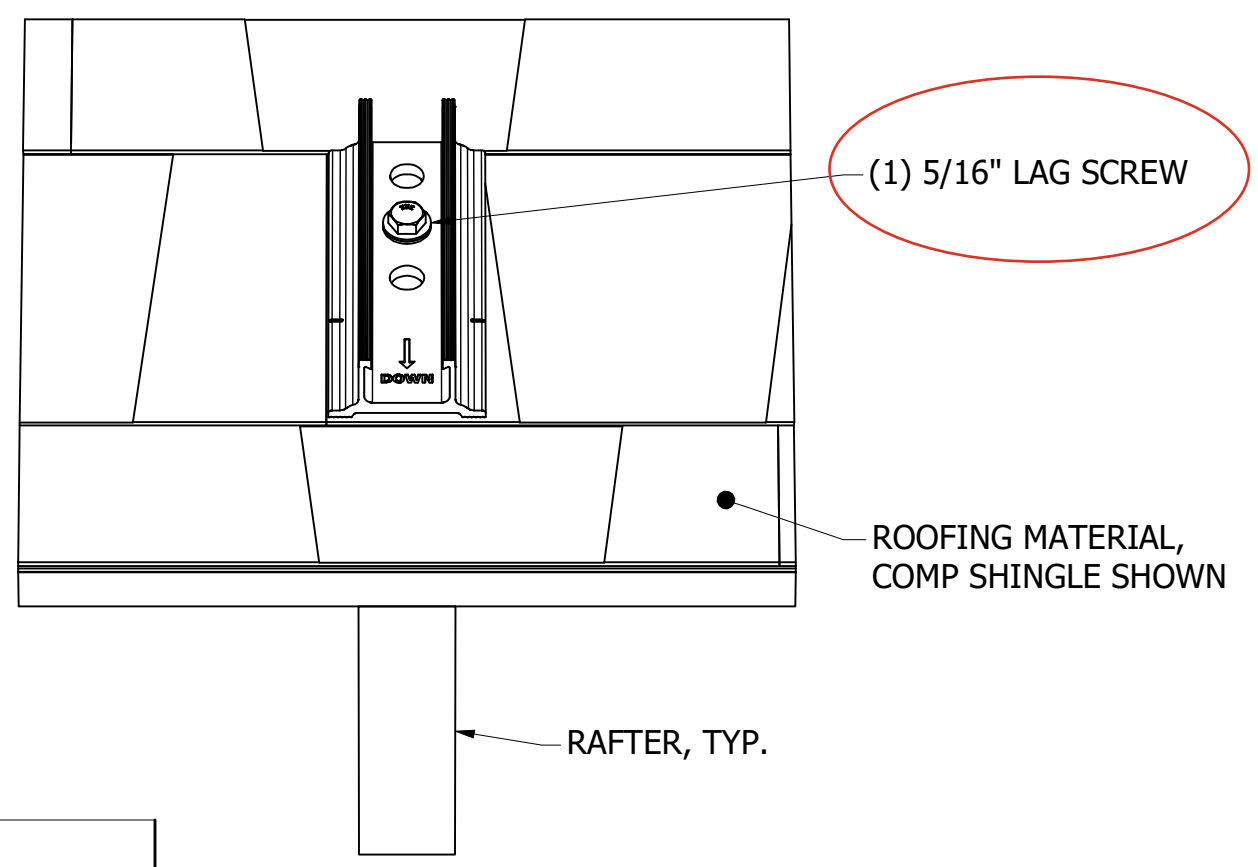
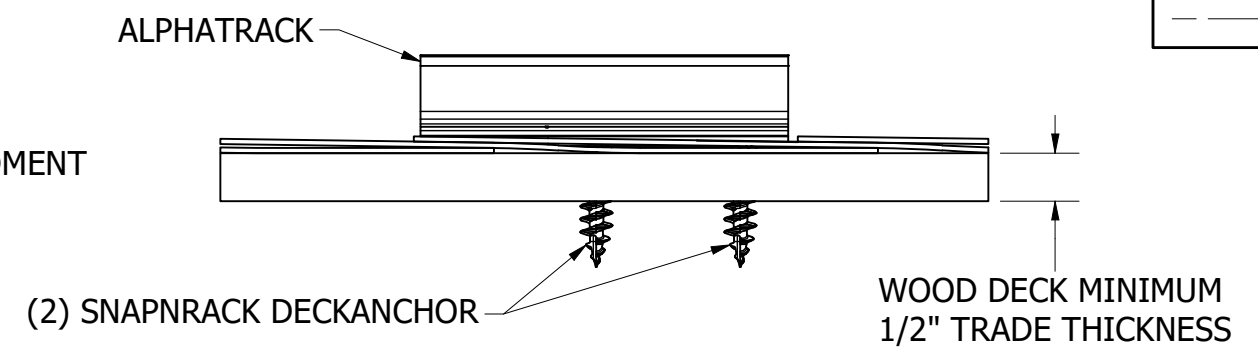
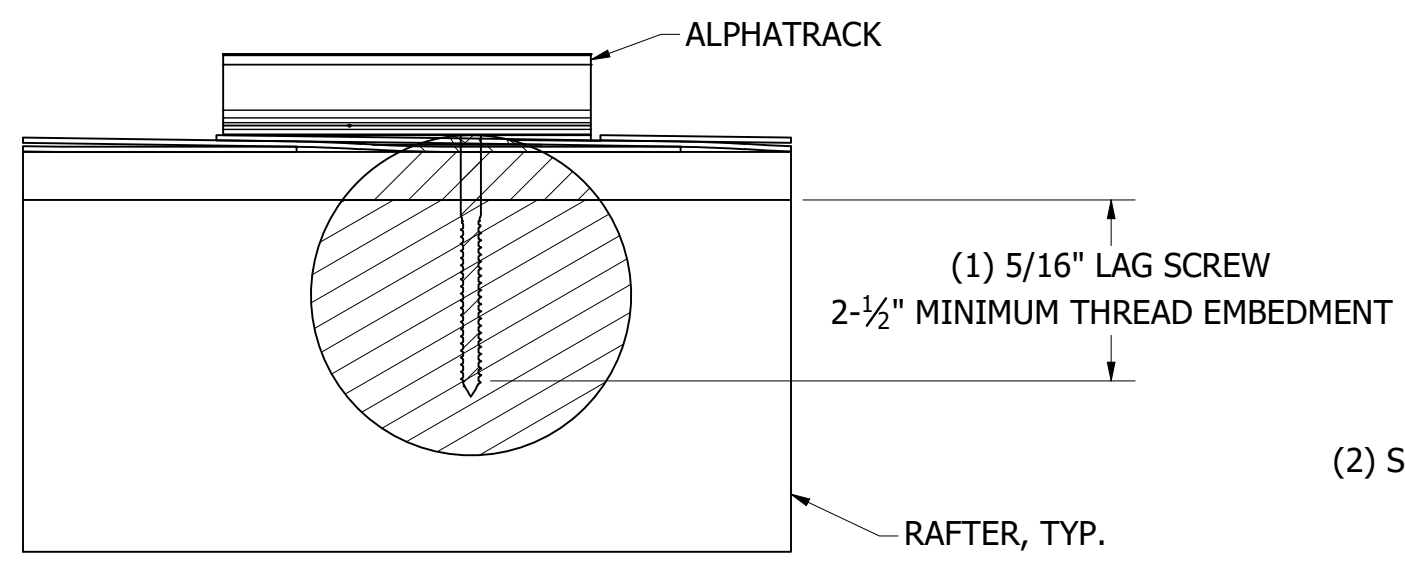
REV: **A** DATE: 9/16/2024



intertek
Total Quality. Assured.

Report #: S1175.01
Date: 01/14/25
Verified by: *Christoph E. Jahn*

REVISION:	A	2/3/2025	RELEASED	MKW



RAFTER ATTACHMENT

PE SIGNATURE:	PE DATE:	DESCRIPTION:	DRAWING NUMBER:	REV:
		TOPSPEED UNIVERSAL PV MOUNTING SYSTEM WITH ALPHATRACK AND DELTATRACK ROOF ATTACHMENTS	SNR-DC-00486	A

SNR SOLAR LLC

775 FIERO LANE, SUITE 200
SAN LUIS OBISPO, CA 93401
CONTACT@SNAPNRACK.COM

UNITS:
IN, LB, DEG
[MM, KG, DEG]

DATE:
2/3/2025

SHEET SIZE:
11 IN X 17 IN

SCALE:
NTS

SHEET NUMBER:
3 OF 4



Total Quality. Assured.

130 Derry Court
York, Pennsylvania 17406

Telephone: 717-764-7700
Facsimile: 717-764-4129
www.intertek.com/building

TEST REPORT FOR SNR SOLAR LLC. DBA SNAPNRACK

Report No.: S1175.01-109-18 R1

Date: 01/21/25

Revision 1: 02/05/25

SECTION 11

REVISION LOG

REVISION #	DATE	PAGES	REVISION
0	01/21/25	N/A	Original Report Issue
1	02/05/25	14-17	Revised Drawings