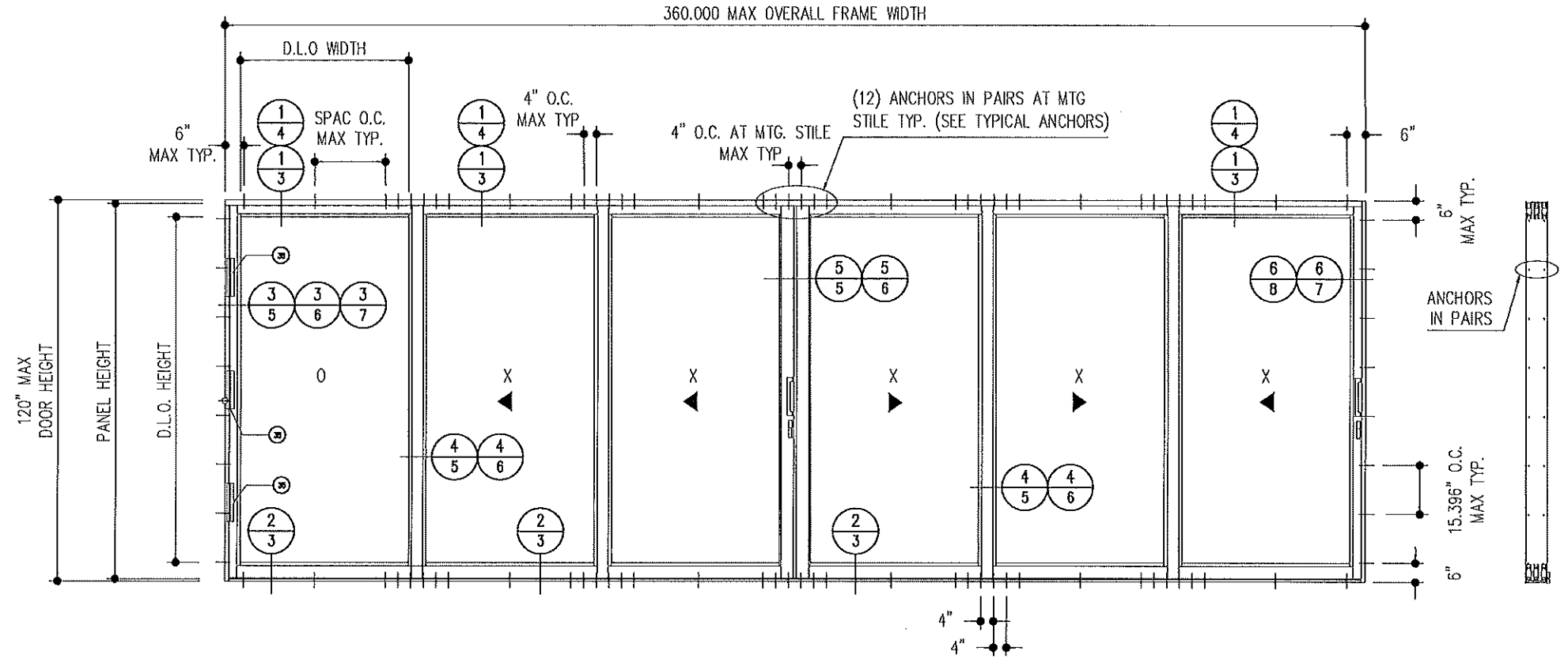


VISTA VIEW SLIDING GLASS DOOR

THESE DOORS ARE RATED FOR LARGE & SMALL MISSILE IMPACT.

1. THIS PRODUCT IS DESIGNED AND MANUFACTURED TO COMPLY WITH THE CURRENT FLORIDA BUILDING CODE (FBC 2020) 7th EDITION, INCLUDING THE HIGH VELOCITY HURRICANE ZONE (HVHZ).
2. GLAZING SYSTEM TESTED FOR LARGE MISSILE IMPACT AS PER MIAMI-DADE COUNTY PROTOCOLS (TAS 201, 202 & 203). HURRICANE WIND-BORNE DEBRIS PROTECTION IS NOT REQUIRED.
3. CODE REQUIREMENTS FOR SAFEGUARDS MUST BE OBSERVED.
4. BUCKS ARE BY OTHERS AND MUST BE ANCHORED PROPERLY TO THE STRUCTURE. BUCKS AND BUCKING SHALL BE DESIGNED BY SPECIALTY ENGINEER OR E.O.R.
5. ANCHORS SHALL BE AS LISTED IN CHARTS AND SPACED AS DETAILED.
6. FRAME ANCHOR EMBEDMENT TO BASE MATERIAL SHALL BE BEYOND WALL DRESSING OR STUCCO AS PER APPROVED FRAME ANCHOR CHARTS ON PAGES 5, 6, 7 & 9.
7. ALL SUBSTRATES, BUCKING OR ANCHOR CONDITIONS SHALL BE QUALIFIED BY A SPECIALTY ENGINEER OR E.O.R.
8. ALL ALUMINUM FRAMES SHALL BE ISOLATED FROM STEEL AND CONCRETE WITH HIGH STRENGTH STRUCTURAL PLASTIC SHIMS OR AS PER FBC.
9. PANEL WIDTHS SMALLER THAN 36" MUST BE VERIFIED FOR COMPLIANCE WITH EGRESS REQUIREMENTS PER FLORIDA BUILDING CODE, AS APPLICABLE.
10. ONE-THIRD (33%) INCREASE IN ALLOWABLE STRESS FOR WIND LOAD DESIGN NOT USED HAS BEEN USED.



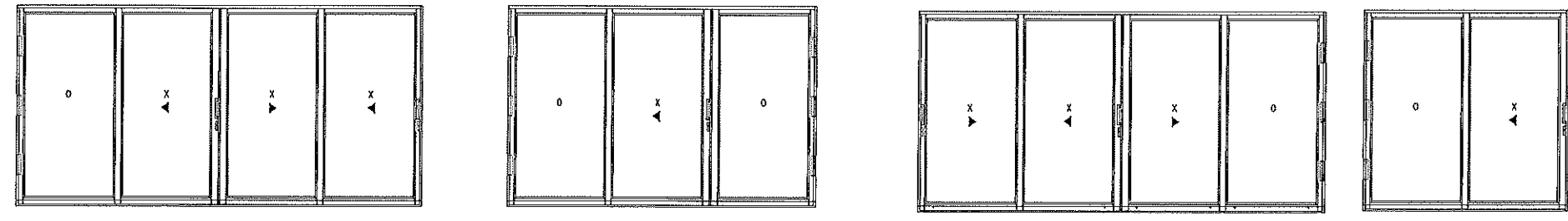
TYPICAL ELEVATION

DAYLITE OPENINGS:
 D.L.O. HEIGHT = PANEL HEIGHT - 9 7/16"
 D.L.O. WIDTH = PANEL WIDTH - 9"
 D.L.O. WIDTH = PANEL WIDTH ASTRAGAL - 9 3/4"
 PANEL HEIGHT = DOOR HEIGHT - 1 7/8"

ALL DOOR INSTALLATION MUST BE IN ACCORDANCE WITH ALDORA INSTALLATIONS INSTRUCTIONS. ALL SEALANTS TO BE DC 795 SILICONE OR EQUAL. (EQUAL SEALANTS MUST BE TESTED BY SEALANT MANUFACTURER FOR COMPATIBILITY & ADHESION).

INSTRUCTIONS:

- STEP 1 - DETERMINE DESIGN WIND LOAD REQUIREMENT BASED ON WIND VELOCITY, BLDG. HEIGHT, WIND ZONE. USING APPLICABLE ASCE 7 STANDARDS FOR COMPONENTS AND CLADDING.
- STEP 2 - CHECK DESIGN PRESSURE CAPACITY FOR DESIRED GLASS TYPE/SIZE USING CHARTS ON SHEET 2. THE DESIGN PRESSURE ON THE CHART SHOULD BE EQUAL TO OR EXCEED THE PROJECT DESIGN PRESSURE.
- STEP 3 - SELECT ANCHOR OPTION(S) BASED ON SUBSTRATES FROM "FRAME ANCHOR TYPES" SCHEDULE ON SHEET 3.



OXXX
XXXX

OXO
XXX

XXXO

OX
XX

APPROVED CONFIGURATIONS

PROJECT NAME: VISTA VIEW SLIDING GLASS DOOR - LMI		
DRAWING NUMBER: VVSGD2022-03-25	DRAW BY: D.O.P.	PRODUCT APPROVAL NO.: FL 41125.1
SHT. 1 OF 10	SCALE:	DATE: 04/08/2022

ALDORA
ALUMINUM AND GLASS PRODUCTS, INC.

4250 CORAL RIDGE DRIVE
CORAL SPRINGS, FL 33065
PHONE: 954-784-6900
FAX: 954-688-9816

SEAL

WILLIAM D. COOK P.E.
FLA P.E. #43904
FLA S.I. #2008

BROMLEY-COOK ENGINEERING, INC.
STRUCTURAL ENGINEERING SERVICES
5440 N.W. 33RD AVENUE SUITE 100
FORT LAUDERDALE, FLORIDA 33309
TEL: (954) 772-4624 FAX: (954) 772-4634

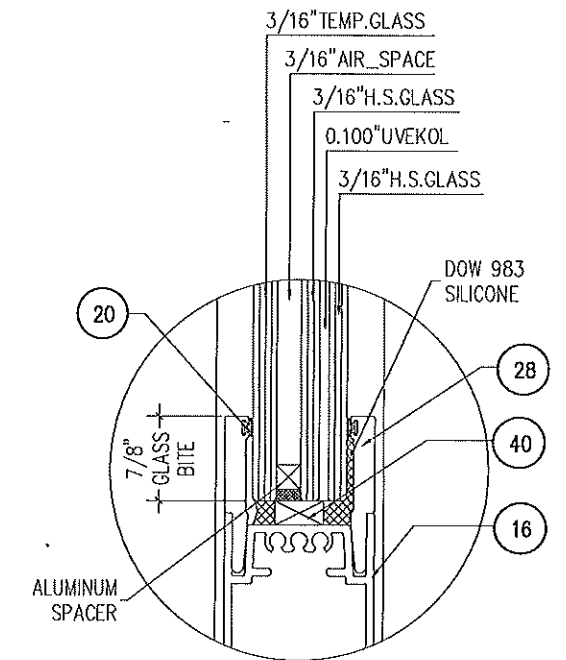
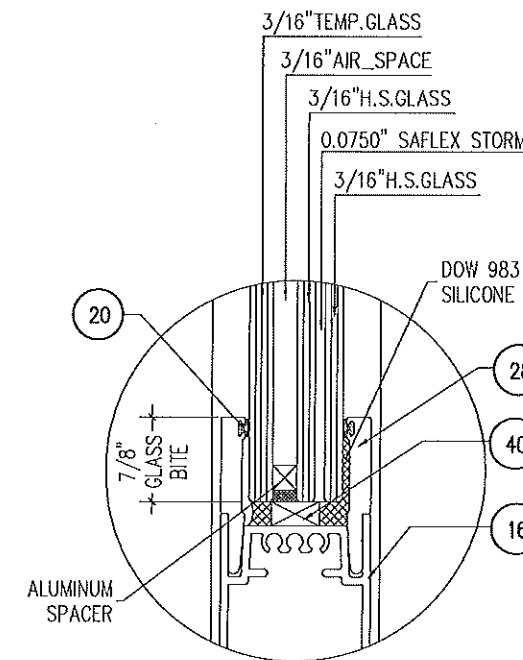
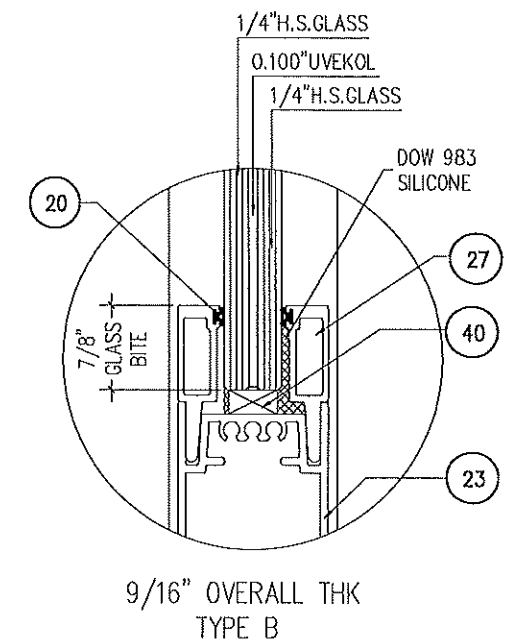
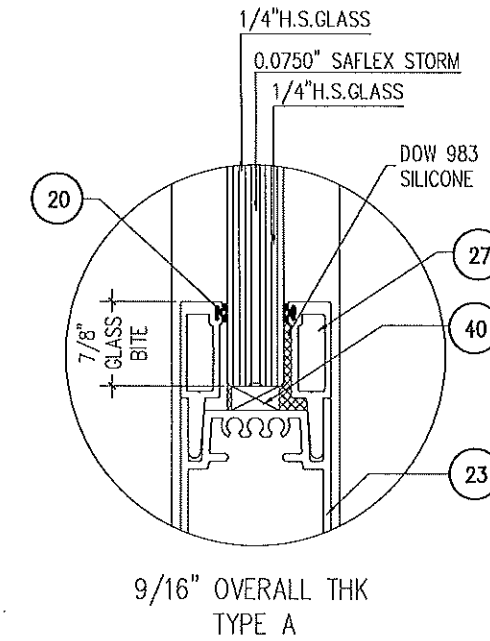
PANEL WIDTH (IN)	DOOR HEIGHT (IN)	ALL GLASS TYPES W/OUT REINFORCED INTERLOCKS		ALL GLASS TYPES WITH REINFORCED INTERLOCKS		ALL GLASS TYPES WITH LITE ASTRAGAL MEETING STILE		
		PSF (+)	PSF (-)	PSF (+)	PSF (-)	PSF (+)	PSF (-)	
42	84	75	75	80	105	75	75	
48		75	75	80	105	75	75	
54		67	67	80	98	75	75	
60		60	60	80	88	-	-	
66		55	55	80	80	-	-	
72		50	50	74	74	-	-	
78		46	46	68	68	-	-	
42		90	75	75	80	105	75	75
48	75		75	80	105	75	75	
54	67		67	80	98	75	75	
60	60		60	80	88	-	-	
66	55		55	80	80	-	-	
72	50		50	74	74	-	-	
42	98		75	75	80	105	75	75
50			75	75	80	105	75	75
54		67	67	80	98	-	-	
60		60	60	80	88	-	-	
66		55	55	80	80	-	-	
70		52	52	76	76	-	-	
42		102	68	68	80	105	-	-
48			68	68	80	105	-	-
54	67		67	80	98	-	-	
60	60		60	80	88	-	-	
66	55		55	80	80	-	-	
42	108		68	68	80	105	-	-
48			68	68	80	105	-	-
54			66	66	80	97	-	-
60		60	60	80	88	-	-	
64		56	56	80	83	-	-	
42		114	68	68	80	105	-	-
48			68	68	80	103	-	-
54			65	65	80	95	-	-
60	60		60	80	88	-	-	
63	57		57	80	84	-	-	
42	120		68	68	80	105	-	-
48			68	68	80	102	-	-
54			64	64	80	94	-	-
60		59	59	80	87	-	-	
62.75		58	58	80	85	-	-	

PANEL WIDTH NOMINAL = $\frac{\text{OVERALL DOOR WIDTH}}{\text{NUMBER OF PANELS}}$
PANEL HEIGHT = DOOR HEIGHT - 1 7/8"

NOTE:
GLASS CAPACITIES ON THIS SHEET ARE BASED ON
ASTM E1300-09 (3 SEC. GUSTS) AND FLORIDA
BUILDING COMMISSION.
DECLARATORY STATEMENT DCA05-DEC-219.

WATER INFILTRATION RESISTANCE

RISER	ALLOWABLE WATER RESISTANCE PRESSURE	CORRESPONDING DESIGN WIND PRESSURE
STANDARD SILL RISER, 3.5"	+12 PSF	80 PSF
LOW SILL RISER, 1.75"	+6 PSF	40 PSF



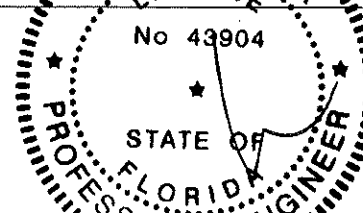
GLAZING OPTIONS

PROJECT NAME: VISTA VIEW SLIDING GLASS DOOR - LMI		
DRAWING NUMBER: VWGD2022-03-25	DRAW BY: D.O.P.	PRODUCT APPROVAL NO.: FL 41125.1
SHT. 2 OF 10	SCALE:	DATE: 04/08/2022


ALDORA
ALUMINUM AND GLASS PRODUCTS, INC.

4250 CORAL RIDGE DRIVE
CORAL SPRINGS, FL 33065
PHONE: 954-784-6900
FAX: 954-688-9816

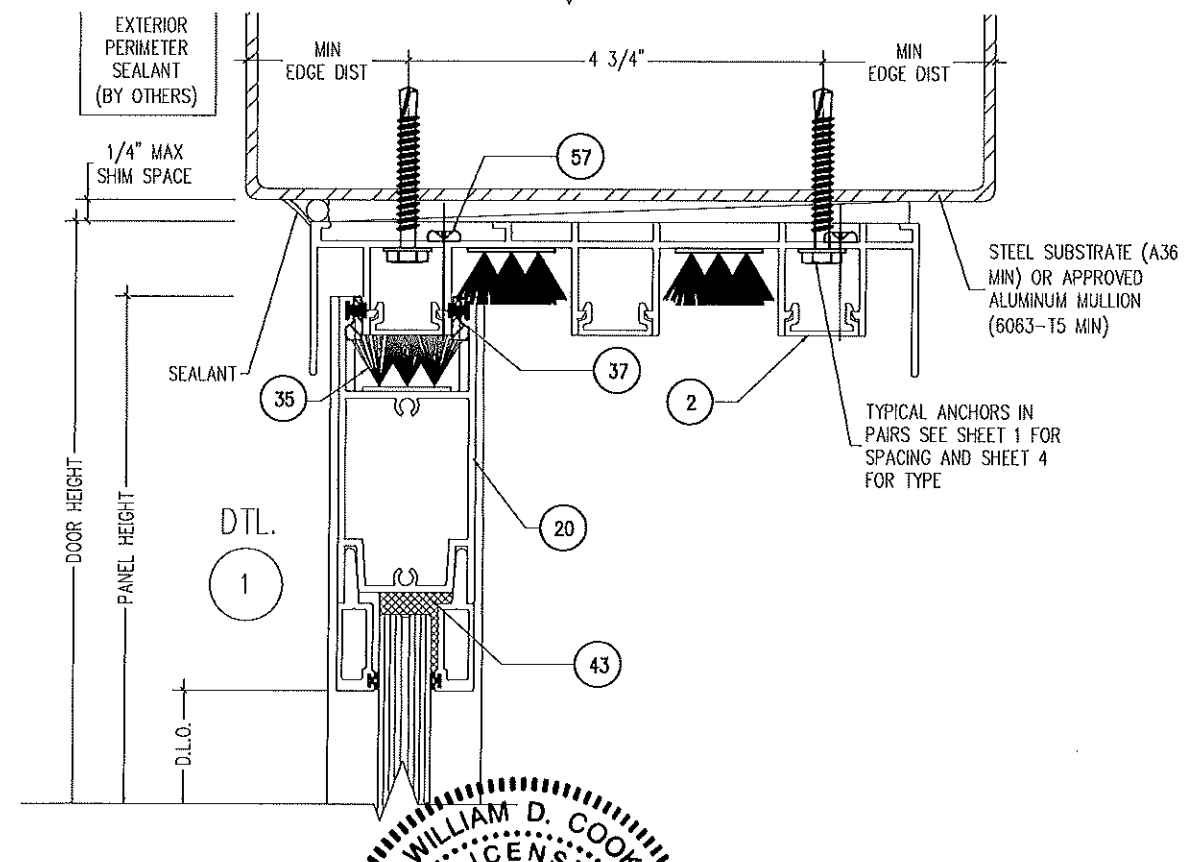
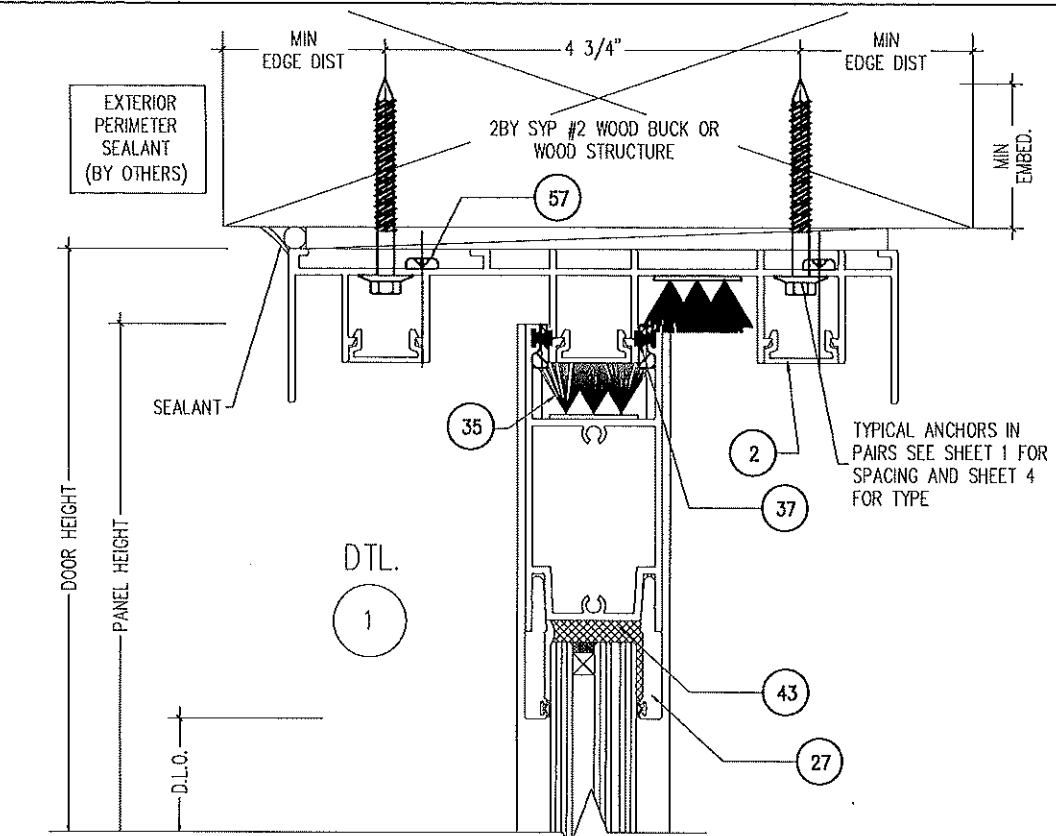
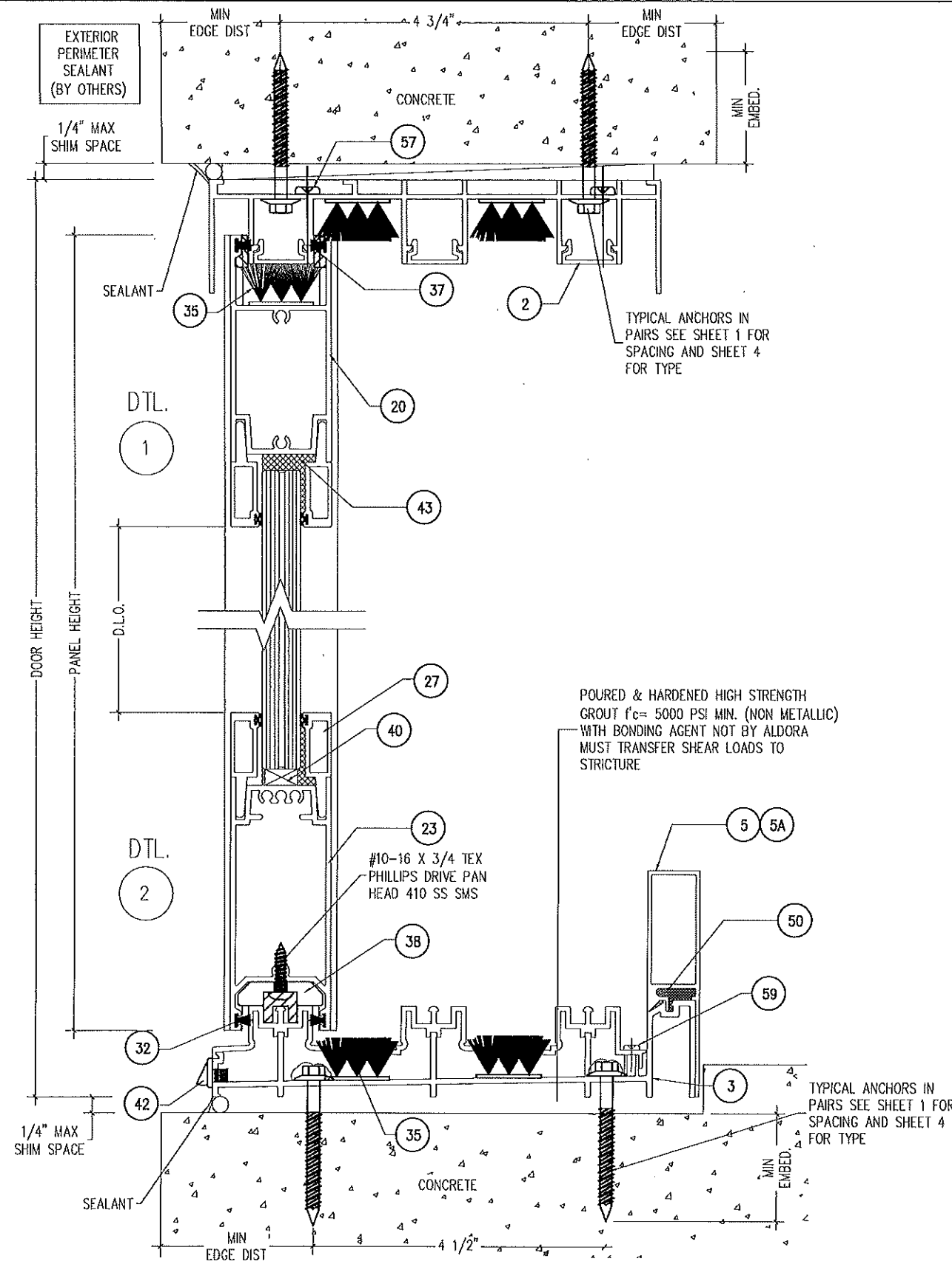
SEAL



APR 18 2022

WILLIAM D. COOK P.E.
FLA P.E. #43904
FLA S.I. #2008

BROMLEY-COOK ENGINEERING, INC.
STRUCTURAL ENGINEERING SERVICES
5440 N.W. 33RD AVENUE SUITE 100
FORT LAUDERDALE, FLORIDA 33309
TEL: (954) 772-4624 FAX: (954) 772-4634

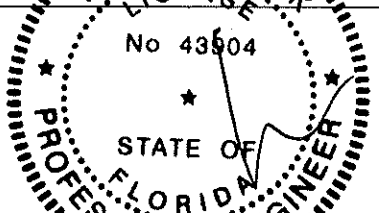


PROJECT NAME: VISTA VIEW SLIDING GLASS DOOR - LMI		
DRAWING NUMBER: VSGD2022-03-25	DRAW BY: D.O.P.	PRODUCT APPROVAL NO.: FL 41125.1
SHT. 3 OF 10	SCALE:	DATE: 04/08/2022


ALDORA
 ALUMINUM AND GLASS PRODUCTS, INC.

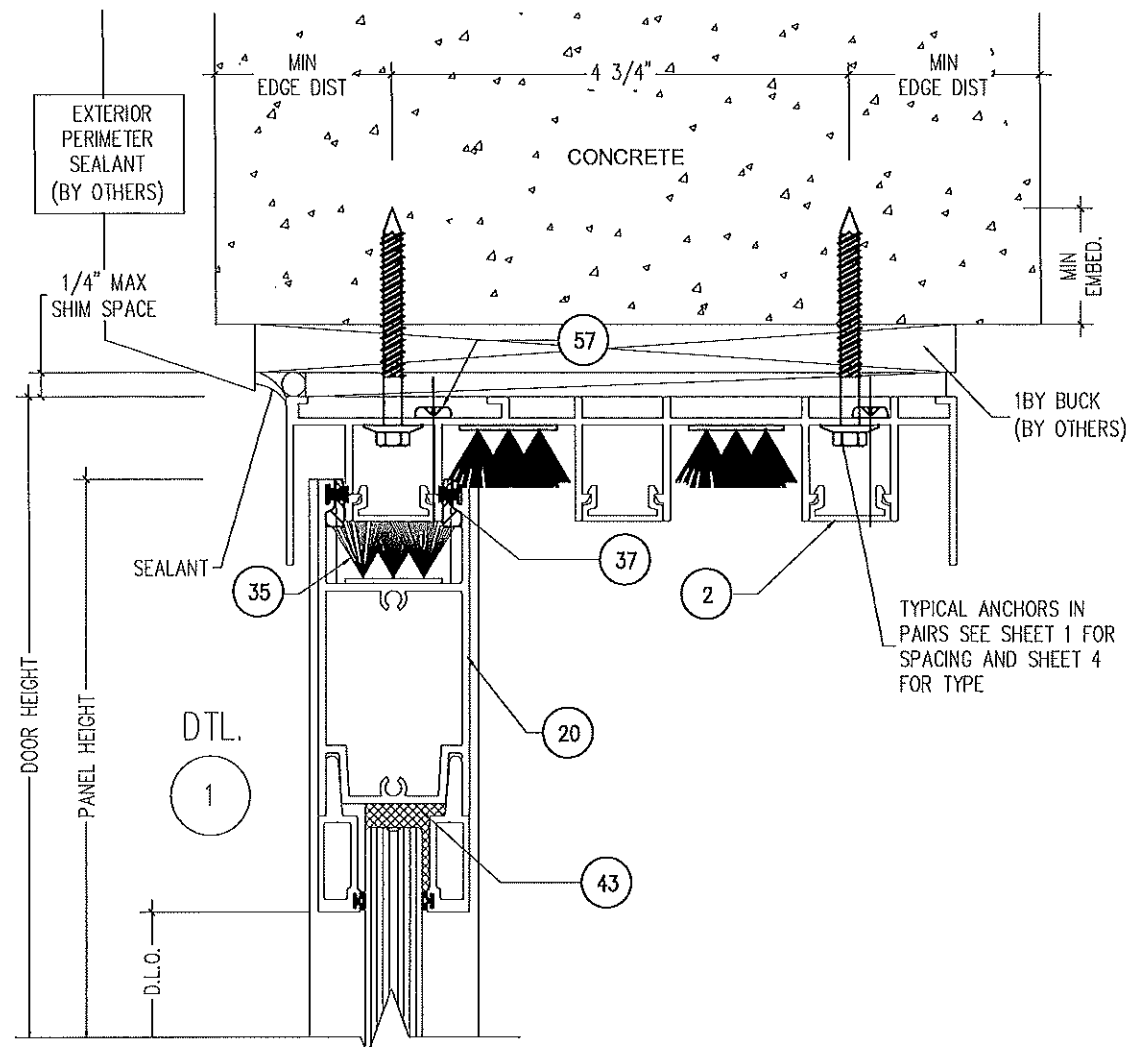
4250 CORAL RIDGE DRIVE
 CORAL SPRINGS, FL 33065
 PHONE: 954-784-6900
 FAX: 954-688-9816

SEAL


 WILLIAM D. COOK P.E.
 FLA P.E. #43904
 FLA S.I. #2008

APR 18 2022

BROMLEY-COOK ENGINEERING, INC.
 STRUCTURAL ENGINEERING SERVICES
 5440 N.W. 33RD AVENUE SUITE 100
 FORT LAUDERDALE, FLORIDA 33309
 TEL: (954) 772-4624 FAX: (954) 772-4634



TYPICAL ANCHORS: (SEE ELEVATION FOR SPACING)
 AT HEAD/JAMBS/SILL
 TYPE 'A' - 1/4" DIA. ULTRACON+ BY DEWALT (Fu = 164 KSI, Fy = 148 KSI)
 INTO 2BY WOOD BUCK OR WOOD STRUCTURE
 1-1/2" MIN THREAD PENETRATION INTO WOOD
 THRU 1BY WOOD BUCK INTO CONCRETE
 1-1/4" MIN EMBED INTO CONCRETE
 THRU 1BY BUCK OR DIRECTLY INTO GROUT FILLED CMU (AT JAMBS)
 1-1/4" MIN EMBED
 TYPE 'B' - 1/4" DIA. ULTRACON+ BY DEWALT (Fu = 164 KSI, Fy = 148 KSI)
 DIRECTLY INTO CONCRETE
 1-3/4" MIN EMBED INTO CONCRETE
 TYPE 'C' - 1/4" DIA. SELF DRILLING SCREW (GRADE 5)
 INTO F.B.C. APPROVED MULLION OR INTO METAL STRUCTURES
 (3) THREAD PENETRATION MIN BEYOND METAL THICKNESS
 ALUMINUM: 1/8" THK MIN (6063-T5 MIN)
 STEEL: 1/8" THK MIN (Fy=36 KSI MIN)
 (STEEL IN CONTACT WITH ALUMINUM TO BE PLATED OR PAINTED)

ANCHORS EDGE DISTANCE
 INTO CONCRETE = 2-1/2" MIN
 INTO WOOD STRUCTURE = 1" MIN
 INTO METAL STRUCTURE = 3/4" MIN

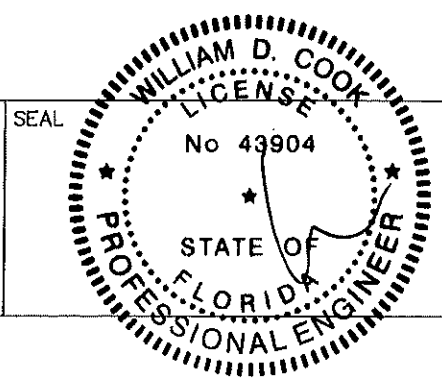
WOOD AT HEAD OR JAMBS SG=0.55 MIN
 CONCRETE ATE HEAD, SILL OR JAMBS f'c = 3000 PSI MIN
 C-90 HOLLOW/FILLED CMU AT JAMBS f'm = 2000 PSI MIN

- ANCHORAGE NOTES:
1. SHIM AS SHOWN. ALL ANCHORS SHALL BE SHIMMED WITH HARD PLASTIC SHIMS. USE SHIMS WHERE GAP IS GREATER THAN 1/16".
 2. TWO (2) ANCHORS ARE REQUIRED AT EACH ANCHOR LOCATION SHOWN.
 3. EACH ROW OF INTERMEDIATE PANEL ANCHORS CONTAINS TWO ANCHORS.
 4. ANCHOR CLUSTER IS TOTAL NUMBER OF ANCHORS. INSTALL IN ROWS OF TWO.

PROJECT NAME: VISTA VIEW SLIDING GLASS DOOR - LMI		
DRAWING NUMBER: VMSGD2022-03-25	DRAW BY: D.O.P.	PRODUCT APPROVAL NO.: FL 41125.1
SHT. 4 OF 10		DATE: 04/08/2022

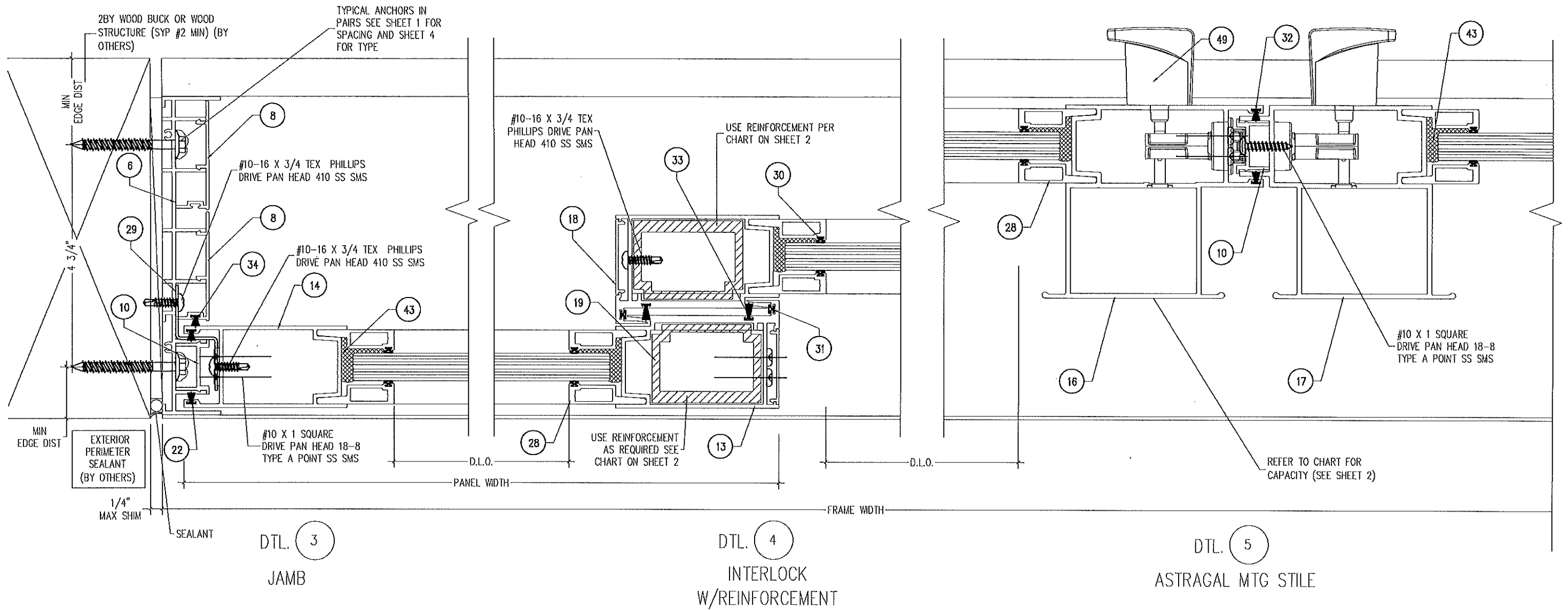

ALDORA
 ALUMINUM AND GLASS PRODUCTS, INC.

4250 CORAL RIDGE DRIVE
 CORAL SPRINGS, FL 33065
 PHONE: 954-784-6900
 FAX: 954-688-9816

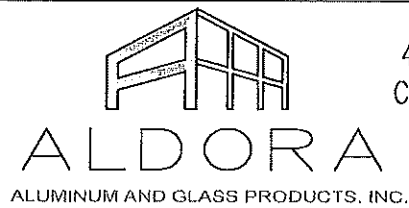


SEAL
 APR 18 2022
 WILLIAM D. COOK P.E.
 FLA P.E. #43904
 FLA S.I. #2008

BROMLEY-COOK ENGINEERING, INC.
 STRUCTURAL ENGINEERING SERVICES
 5440 N.W. 33RD AVENUE SUITE 100
 FORT LAUDERDALE, FLORIDA 33309
 TEL: (954) 772-4624 FAX: (954) 772-4634

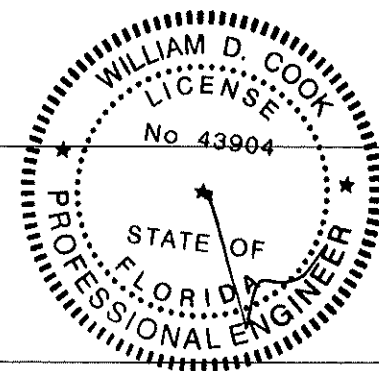


PROJECT NAME: VISTA VIEW SLIDING GLASS DOOR -- LMI		
DRAWING NUMBER: VMSGD2022-03-25	DRAW BY: D.O.P.	PRODUCT APPROVAL NO.: FL 41125.1
SHT. 5 of 10	SCALE:	DATE: 04/08/2022



4250 CORAL RIDGE DRIVE
CORAL SPRINGS, FL 33065
PHONE: 954-784-6900
FAX: 954-688-9816

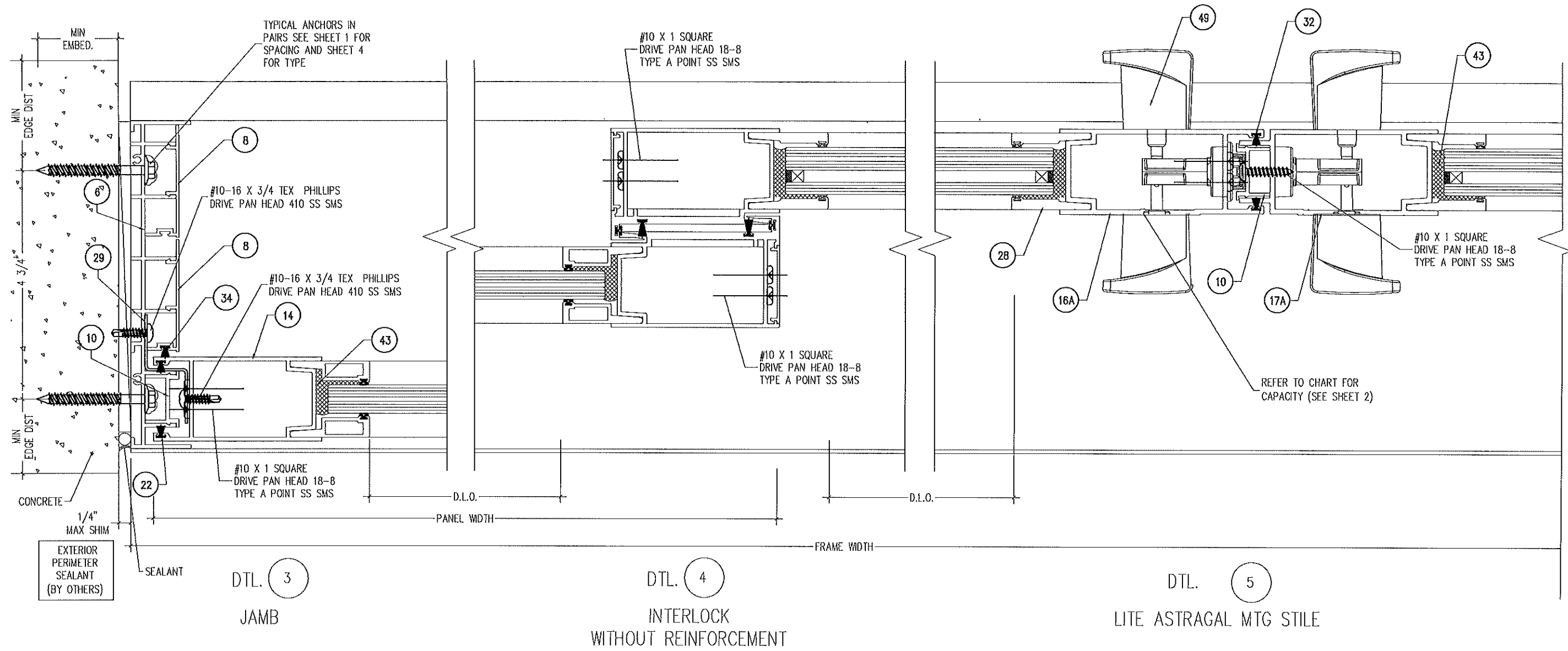
SEAL



APR 18 2022

WILLIAM D. COOK P.E.
FLA P.E. #43904
FLA S.I. #2008

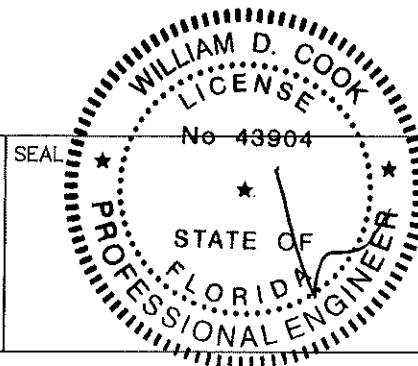
BROMLEY-COOK ENGINEERING, INC.
STRUCTURAL ENGINEERING SERVICES
5440 N.W. 33RD AVENUE SUITE 100
FORT LAUDERDALE, FLORIDA 33309
TEL: (954) 772-4624 FAX: (954) 772-4634



PROJECT NAME: VISTA VIEW SLIDING GLASS DOOR - LMI		
DRAWING NUMBER: VWSGD2022-03-25	DRAW BY: D.O.P.	PRODUCT APPROVAL NO.: FL 41125.1
SHT. 6 OF 10	SCALE:	DATE: 04/08/2022


ALDORA
 ALUMINUM AND GLASS PRODUCTS, INC.

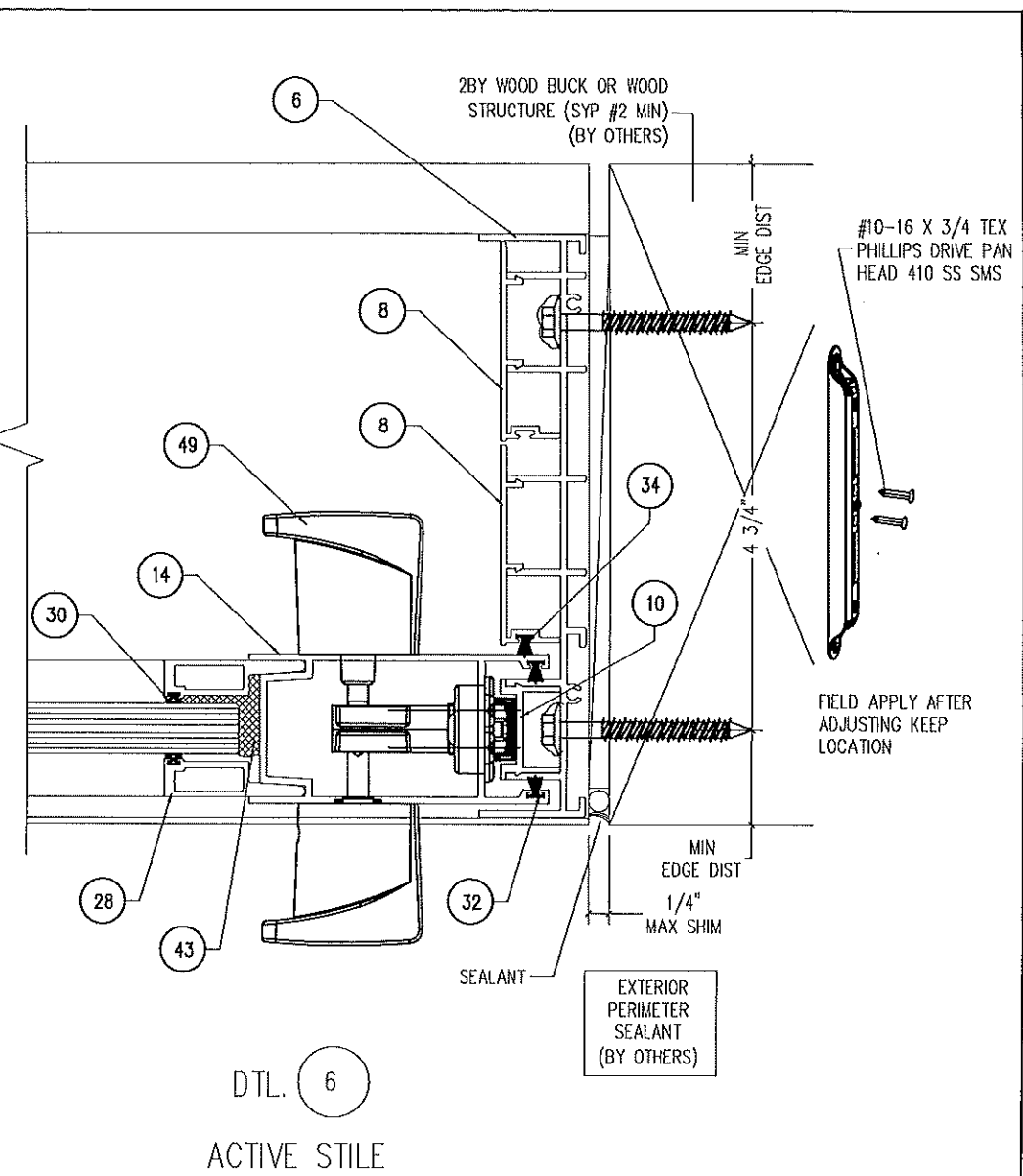
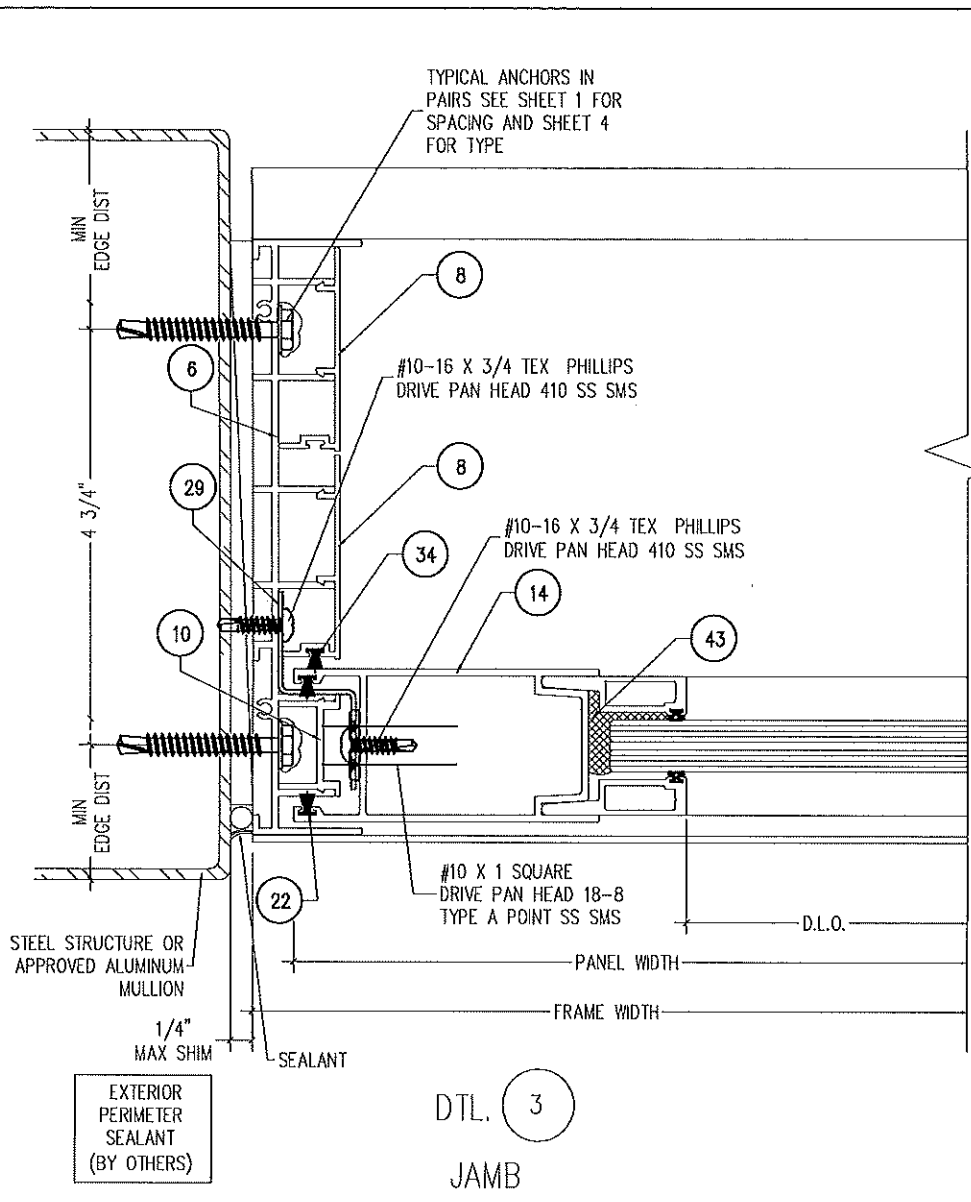
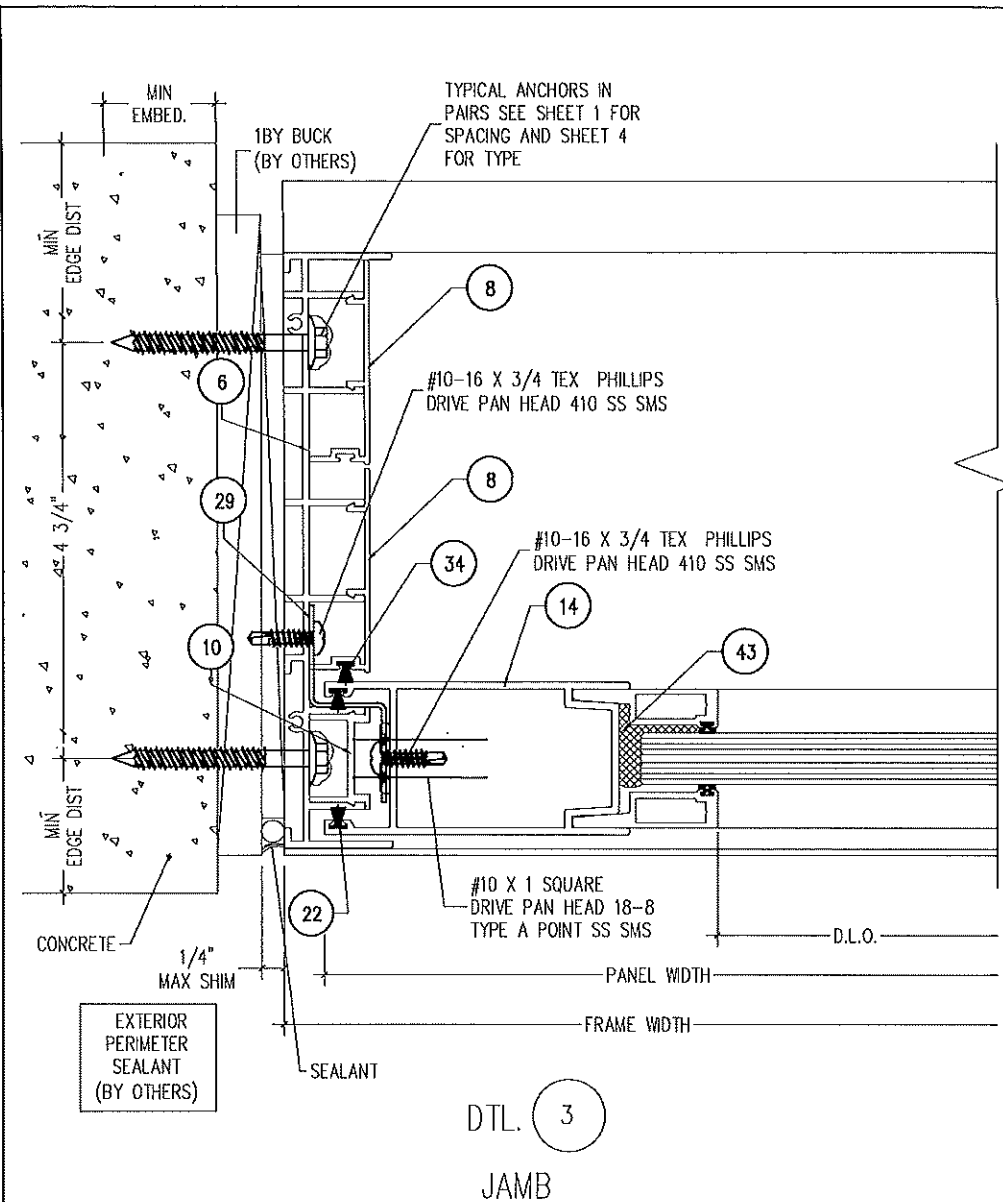
4250 CORAL RIDGE DRIVE
 CORAL SPRINGS, FL 33065
 PHONE: 954-784-6900
 FAX: 954-688-9816



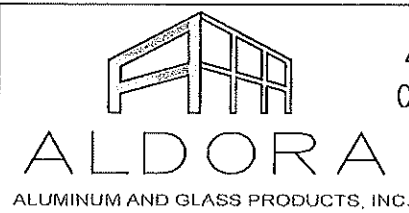
APR 18 2022

WILLIAM D. COOK P.E.
 FLA P.E. #43904
 FLA S.I. #2008

BROMLEY-COOK ENGINEERING, INC.
 STRUCTURAL ENGINEERING SERVICES
 5440 N.W. 33RD AVENUE SUITE 100
 FORT LAUDERDALE, FLORIDA 33309
 TEL: (954) 772-4624 FAX: (954) 772-4634

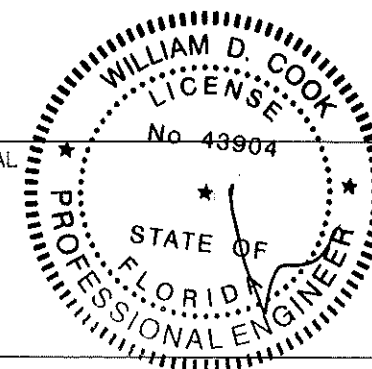


PROJECT NAME: VISTA VIEW SLIDING GLASS DOOR - LMI		
DRAWING NUMBER: VMSGD2022-03-25	DRAW BY: D.O.P.	PRODUCT APPROVAL NO.: FL 41125.1
SHT. 7 OF 10	SCALE:	DATE: 04/08/2022



4250 CORAL RIDGE DRIVE
CORAL SPRINGS, FL 33065
PHONE: 954-784-6900
FAX: 954-688-9816

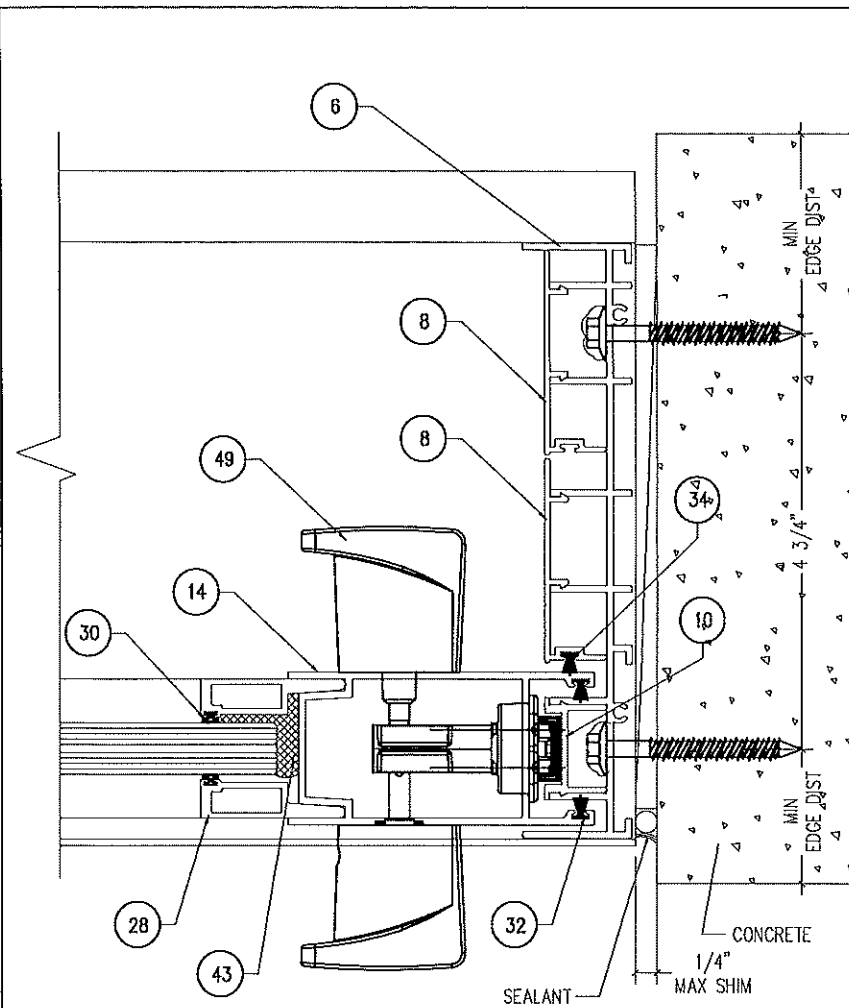
SEAL



APR 18 2022

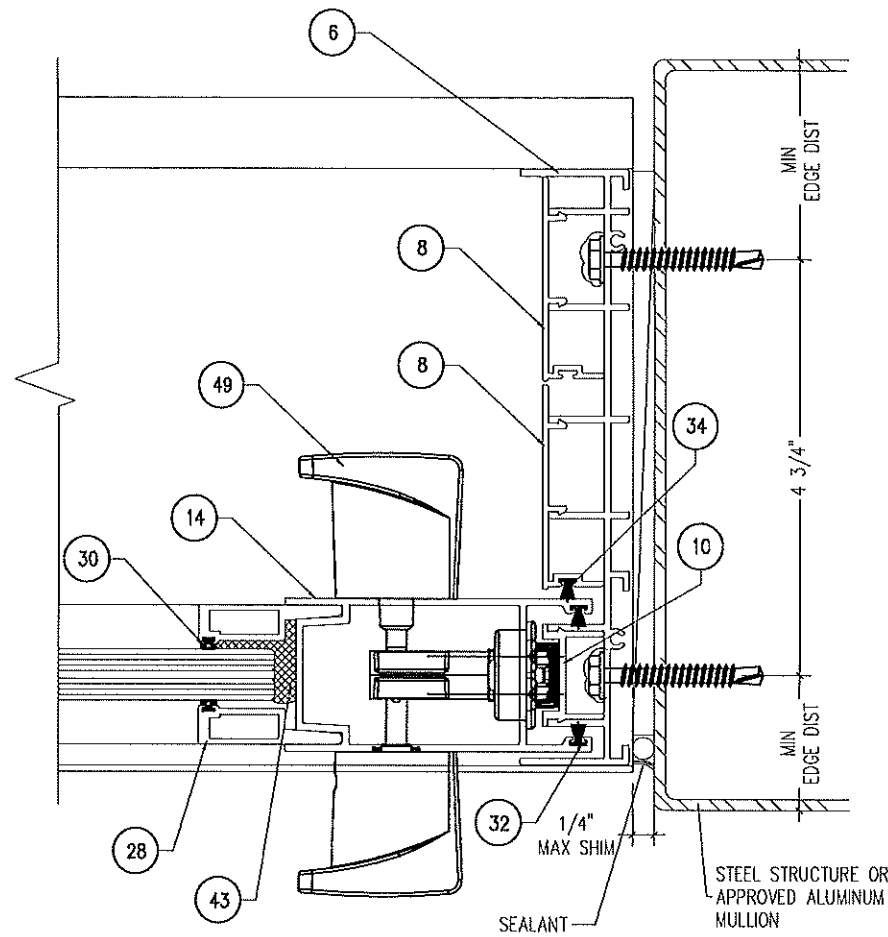
WILLIAM D. COOK P.E.
FLA P.E. #43904
FLA S.I. #2008

BROMLEY-COOK ENGINEERING, INC.
STRUCTURAL ENGINEERING SERVICES
5440 N.W. 33RD AVENUE SUITE 100
FORT LAUDERDALE, FLORIDA 33309
TEL: (954) 772-4624 FAX: (954) 772-4634



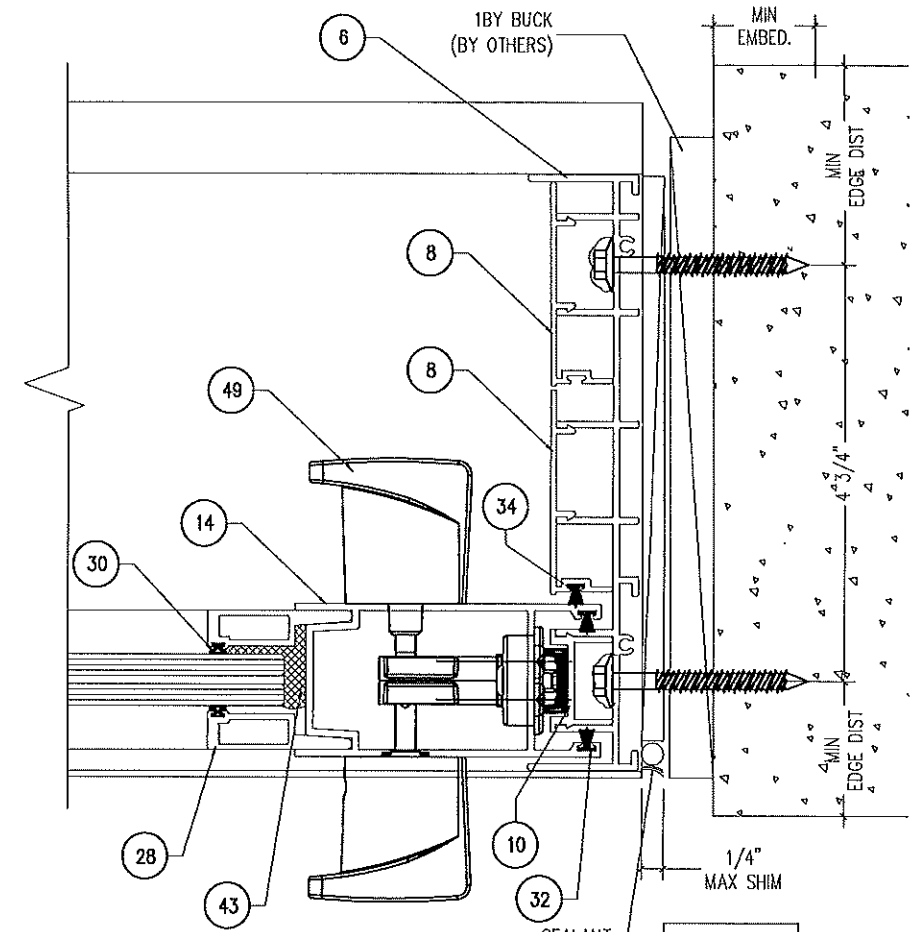
DTL. 6
ACTIVE STILE

EXTERIOR PERIMETER SEALANT (BY OTHERS)



DTL. 6
ACTIVE STILE

EXTERIOR PERIMETER SEALANT (BY OTHERS)



DTL. 6
ACTIVE STILE

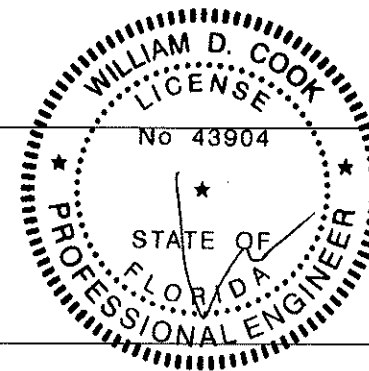
EXTERIOR PERIMETER SEALANT (BY OTHERS)

PROJECT NAME: VISTA VIEW SLIDING GLASS DOOR - LMI		
DRAWING NUMBER: VVSGD2022-03-25	DRAW BY: D.O.P.	PRODUCT APPROVAL NO.: FL 41125.1
SHT. 8 OF 10	SCALE:	DATE: 04/08/2022



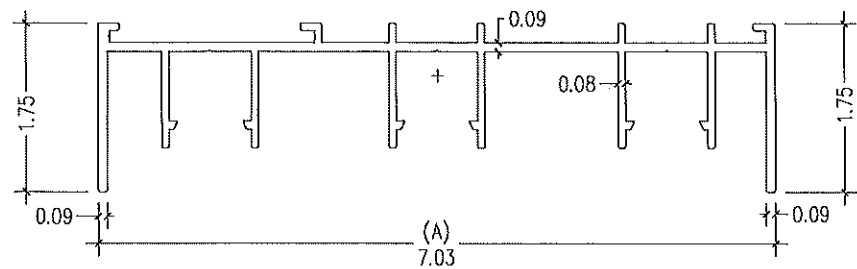
4250 CORAL RIDGE DRIVE
CORAL SPRINGS, FL 33065
PHONE: 954-784-6900
FAX: 954-688-9816

SEAL

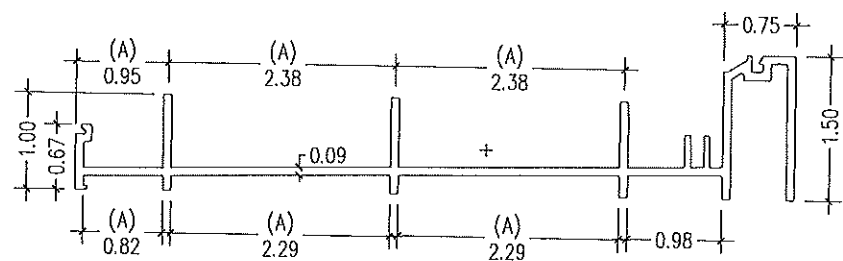


WILLIAM D. COOK P.E.
FLA P.E. #43904
FLA S.I. #2008

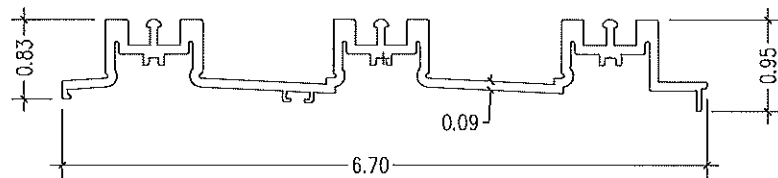
BROMLEY-COOK ENGINEERING, INC.
STRUCTURAL ENGINEERING SERVICES
5440 N.W. 33RD AVENUE SUITE 100
FORT LAUDERDALE, FLORIDA 33309
TEL: (954) 772-4624 FAX: (954) 772-4634



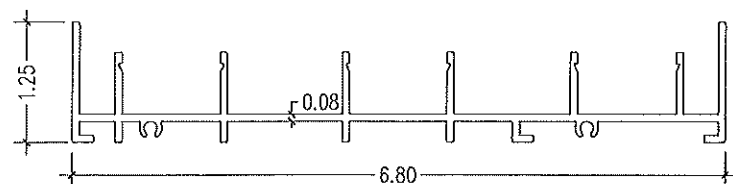
1 HEAD



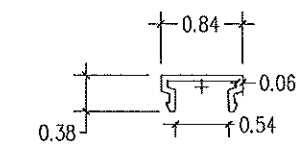
3 SILL PAN



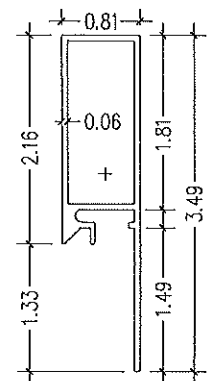
4 SILL



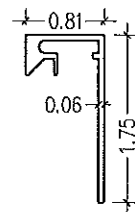
6 JAMB



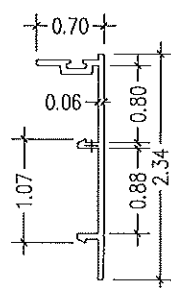
2 HEAD TRACK COVER



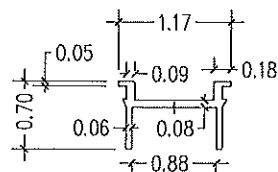
5 3.5" SILL RISER



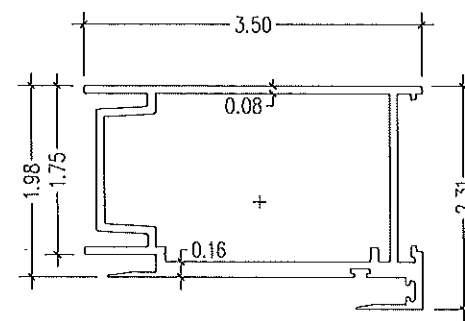
5A 1.75" SILL RISER



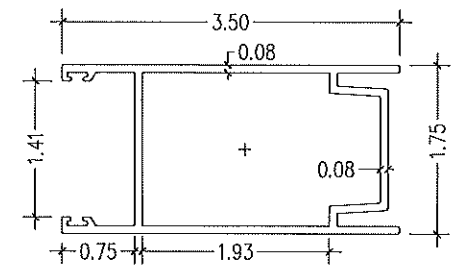
8 BUMPER JAMB INSERT



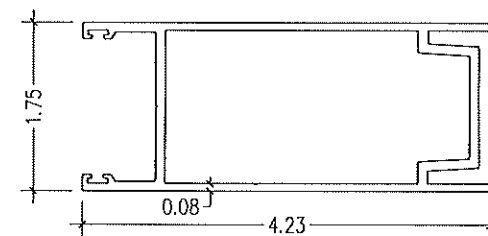
10 INSERT



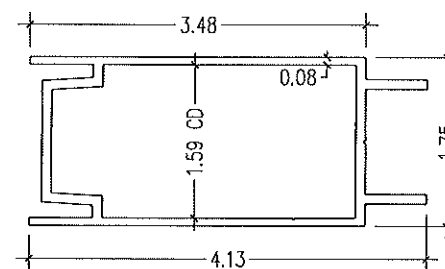
13 INTERLOCK STILE



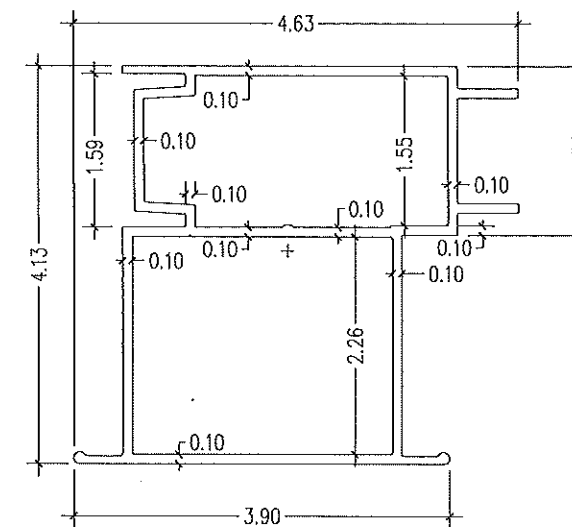
14 LOCK STILE



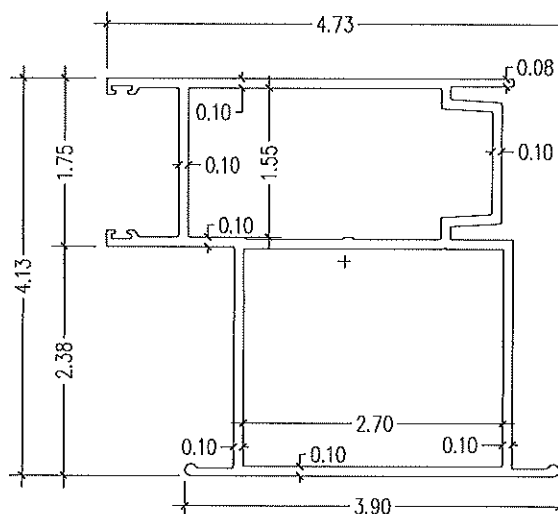
16 FEMALE BUTT STILE LITE



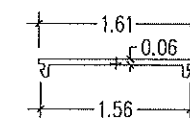
17 MALE BUTT STILE LITE



17A MALE BUTT STILE



16A FEMALE BUTT STILE



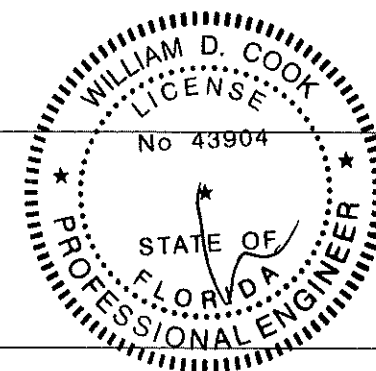
18 INTERLOCK COVER

PROJECT NAME: VISTA VIEW SLIDING GLASS DOOR - LMI		
DRAWING NUMBER: VWGD2022-03-25	DRAW BY: D.O.P.	PRODUCT APPROVAL NO.: FL 41125.1
SHT. 9 of 10	SCALE:	DATE: 04/08/2022



4250 CORAL RIDGE DRIVE
CORAL SPRINGS, FL 33065
PHONE: 954-784-6900
FAX: 954-688-9816

SEAL

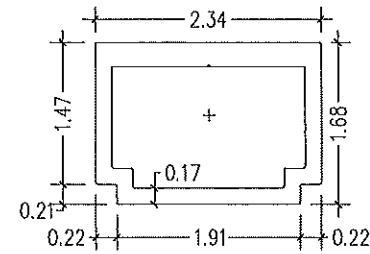


APR 18 2022

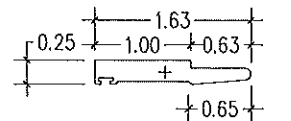
WILLIAM D. COOK P.E.
FLA P.E. #43904
FLA S.I. #2008

BROMLEY-COOK ENGINEERING, INC.
STRUCTURAL ENGINEERING SERVICES
5440 N.W. 33RD AVENUE SUITE 100
FORT LAUDERDALE, FLORIDA 33309
TEL: (954) 772-4624 FAX: (954) 772-4634

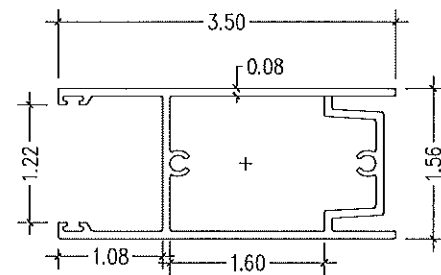
#7-16 X 1 PHILLIPS
DRIVE PAN HEAD 18-8
TYPE A POINT SS SMS



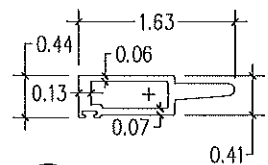
19 INTERLOCK REINFORCEMENT



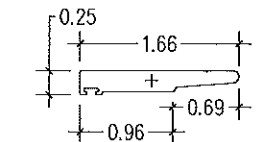
27 GLZ BEAD HORIZ IG



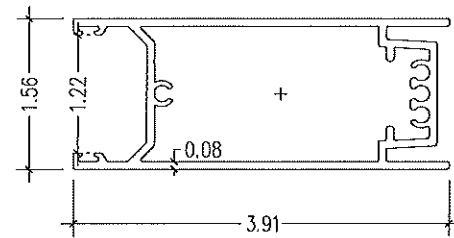
20 TOP RAIL



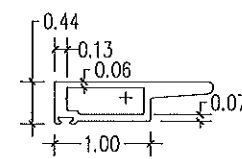
27 GLZ BEAD HORIZ



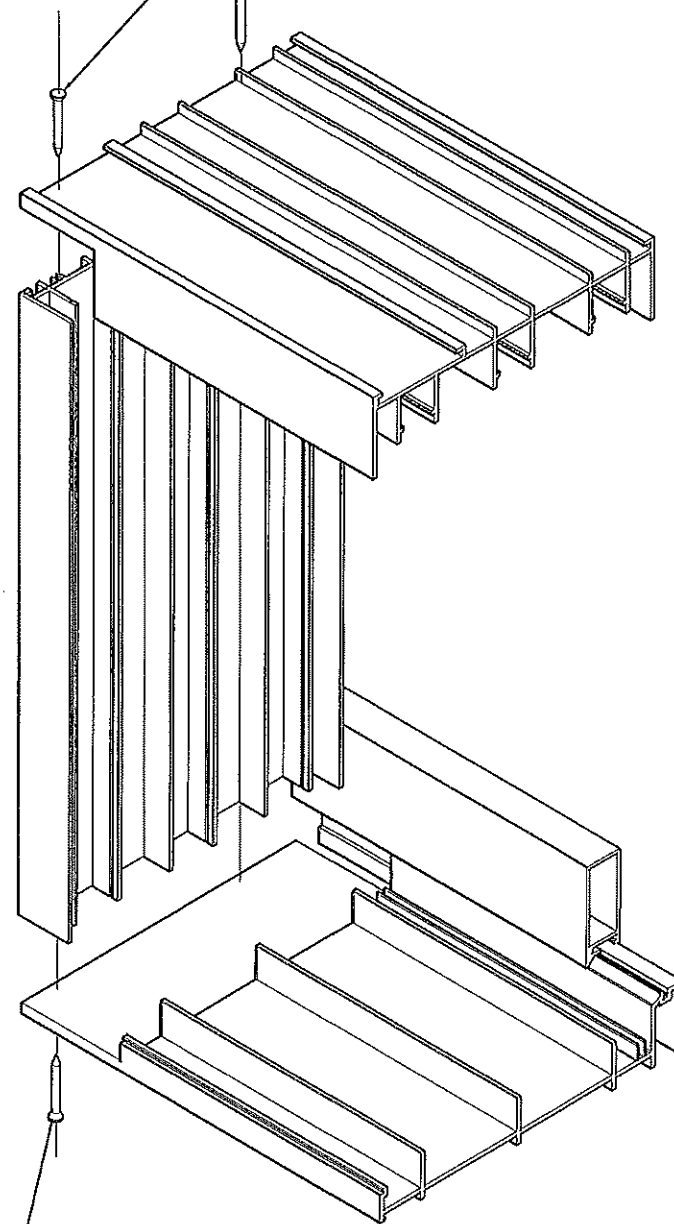
28 GLZ BEAD VERT IG



23 BOTTOM RAIL



28 GLZ BEAD VERT

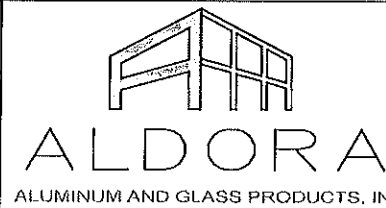


FRAME ASSEMBLY

#7-16 X 1 PHILLIPS
DRIVE PAN HEAD 18-8
TYPE A POINT SS SMS

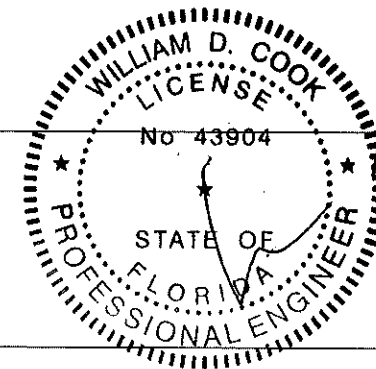
ALUM. EXTRUDED PARTS				MISCELLANEOUS & PARTS	
ITEM	EXTRUSION #	DESCRIPTION	MATERIAL	No.	DESCRIPTION
1	SMI-624	HEAD	6063-T6	30	GLAZING GASKET
2	SMI-628	HEAD TRACK COVER	6063-T6	31	INTERLOCK BULB GASKET
3	SMI-623	SILL PAN	6063-T6	32	PANEL WOOL PILE 0.187 X 0.290
4	SMI-622	SILL	6063-T6	33	INTERLOCK WOOL PILE 0.187 X 0.350
5	SMI-627	3.5" SILL RISER	6063-T6	34	BUMPER JAMB WOOL PILE 0.187 X 300
5A	SMI-623	1.75" SILL RISER	6063-T6	35	DUST PLUG
6	SMI-625	JAMB	6063-T6	36	
8	SMI-629	BUMPER JAMB INSERT	6063-T6	37	TOP RAIL INJECTION MOLDED GUIDE
				38	FIXED PANEL BOTTOM RAIL GUIDE
				39	
10	SMI-630	INSERT	6063-T6	40	1/4 X 1/2 X 2 SETTING BLOCK
				41	DRAIN PLUG
				42	WEEP
13	SMI-605	INTERLOCK	6063-T6	43	DOW 995 GLAZING
14	SMI-604	STILE	6063-T6	48	DOW SEALANT
				49	LOCK SET CREST
16	SMI-606	FEMALE BUTT STILE	6063-T6	50	DOW 795 GLAZING
17	SMI-607	MALE BUTT STILE	6063-T6	51	
18	SMI-614	INTERLOCK COVER	6063-T6	52	
19	SMI-632	INTERLOCK REINFORCEMENT	6063-T6	53	
20	SMI-601	TOP RAIL	6063-T6	54	
				55	
				57	TANDEM ROLLER
23	SMI-602	BOTTOM RAIL	6063-T6		
27	SMI-615	GLZ BEAD HORIZ	6063-T6		
28	SMI-616	GLZ BEAD VERT	6063-T6		
29		FIX PANEL Z CLIP			

PROJECT NAME: VISTA VIEW SLIDING GLASS DOOR - LMI		
DRAWING NUMBER: WSGD2022-03-25	DRAW BY: D.O.P.	PRODUCT APPROVAL NO.: FL 41125.1
SHT. 10 OF 10	SCALE:	DATE: 04/08/2022



4250 CORAL RIDGE DRIVE
CORAL SPRINGS, FL 33065
PHONE: 954-784-6900
FAX: 954-688-9816

SEAL



PR 1 8 2022

WILLIAM D. COOK P.E.
FLA P.E. #43904
FLA S.I. #2008

BROMLEY-COOK ENGINEERING, INC.
STRUCTURAL ENGINEERING SERVICES
5440 N.W. 33RD AVENUE SUITE 100
FORT LAUDERDALE, FLORIDA 33309
TEL: (954) 772-4624 FAX: (954) 772-4634