

PRODUCT NAME:
SERIES "LR-460"
ALUMINUM FRENCH DOOR SYSTEM -
L. M. I.

REVISIONS			
No.	DATE	BY	DESCRIPTION



OSCAR YAMIR SOUFFRONT
PROFESSIONAL ENGINEER

DATE:

FLORIDA No. 72462

SOUFFRONT CONSTRUCTION GROUP Ltd. Co.
CERTIFICATE OF AUTHORIZATION:
No. 29697
2942 SW 156th AVENUE
MIAMI, FL 33185
Phone: 786.306.9417
email:souffrontengineering@gmail.com

DRAWING TITLE:

GENERAL NOTES, INSTRUCTIONS
AND TYPICAL ELEVATION

MANUFACTURER:

LINEA ROSSA LLC
1850 NW 84TH. AVENUE
SUITE 114, DORAL, FL 33126
PHONE: 786-930-7521
EMAIL: info@linearossadesign.com

TESTING LABORATORY:

BLACKWATER TESTING INC.
7341 WESTPORT PL. SUITE 1A
WEST PALM BEACH, FL 33413
PHONE: 561.508.2830
EMAIL: Engdep@blackwatertesting.com

Date	Scale
MARCH-25-2021	as Noted

Drawing No.	SCG-02043-20.
-------------	---------------

Sheet No.	SCG- 1 OF 21
-----------	--------------

SERIES "LR-460" ALUMINUM FRENCH DOOR SYSTEM-L. M. I.

GENERAL NOTES:

THIS PRODUCT WAS TESTED FOR DESIGN LOAD CAPACITY OF SINGLE, DOUBLE DOORS WITH / WITHOUT SIDELITES & TRANSOMS, THIS DOCUMENT SHOW ALL THE CONFIGURATIONS AS APPROVED.

DOORS WITH HIGH THRESHOLD IS APPROVED FOR INSTALLATIONS WHERE WATER INFILTRATION RESISTANCE REQUIRED. STANDARD THRESHOLD NOT APPROVED FOR WATER INFILTRATION RESISTANCE.

GLAZING TYPE: SEE GLAZING DETAILS ON SHEET # 12

GLASS DESIGN PRESSURES:

- A. NEGATIVE DESIGN LOADS BASED ON STRUCTURAL & CYCLE TESTING AND GLASS PER ASTM E130
- POSITIVE DESIGN LOADS BASED ON WATER INFILTRATION, STRUCTURAL & CYCLE TESTING AND GLASS PER ASTM E1300

THIS PRODUCT HAS BEEN DESIGNED AND TESTED TO COMPLY WITH THE REQUIREMENT OF THE 2020 (7TH EDITION) FLORIDA BUILDING CODE INCLUDING HIGH VELOCITY HURRICANE ZONE (HVHZ). 1BY OR 2BY WOOD BUCKS & BUCK FASTENERS BY OTHERS, MUST BE DESIGNED AND INSTALLED ADEQUATELY TO TRANSFER APPLIED PRODUCT LOADS TO THE BUILDING STRUCTURE. ANCHORS SHALL BE CORROSION RESISTANT, SPACED AS SHOWN ON DETAILS AND INSTALLED PER MANUFACTURER'S INSTRUCTIONS. SPECIFIED EMBEDMENT TO BASED MATERIAL SHALL BE BEYOND WALL DRESSING OR STUCCO. A LOAD DURATION INCREASE IS USED IN DESIGN OF ANCHORS INTO WOOD ONLY. ALL SHIMS TO BE HIGH IMPACT, NON-METALLIC AND NON-COMPRESSIBLE. MATERIALS INCLUDING BUT NOT LIMITED TO STEEL/METAL SCREWS, THAT COME INTO CONTACT WITH OTHER DISSIMILAR MATERIALS SHALL MEET THE REQUIREMENT OF THE 2020 FLORIDA BLDG. CODE & ADOPTED STANDARDS.

INSTALLATION SCREWS & FRAME CORNERS TO BE SEALED WITH NARROW JOINT SEALANT.

REFERENCES: DeWalt Ultracon NOA # 20-0427.13, DEWALT Dril-Flex ICC - ES Evaluation Report ESR-3332

THIS PRODUCT APPROVAL IS GENERIC AND DOES NOT PROVIDE INFORMATION FOR A SITE SPECIFIC PROJECT, i.e. LIFE SAFETY OF THIS PRODUCT, ADEQUACY OF STRUCTURE RECEIVING THIS PRODUCT AND SEALING AROUND OPENING FOR WATER INFILTRATION RESISTANCE ETC. CONDITIONS NOT SHOWN IN THIS DRAWING ARE TO BE ANALYZED SEPARATELY, AND TO BE REVIEWED BY BUILDING OFFICIAL

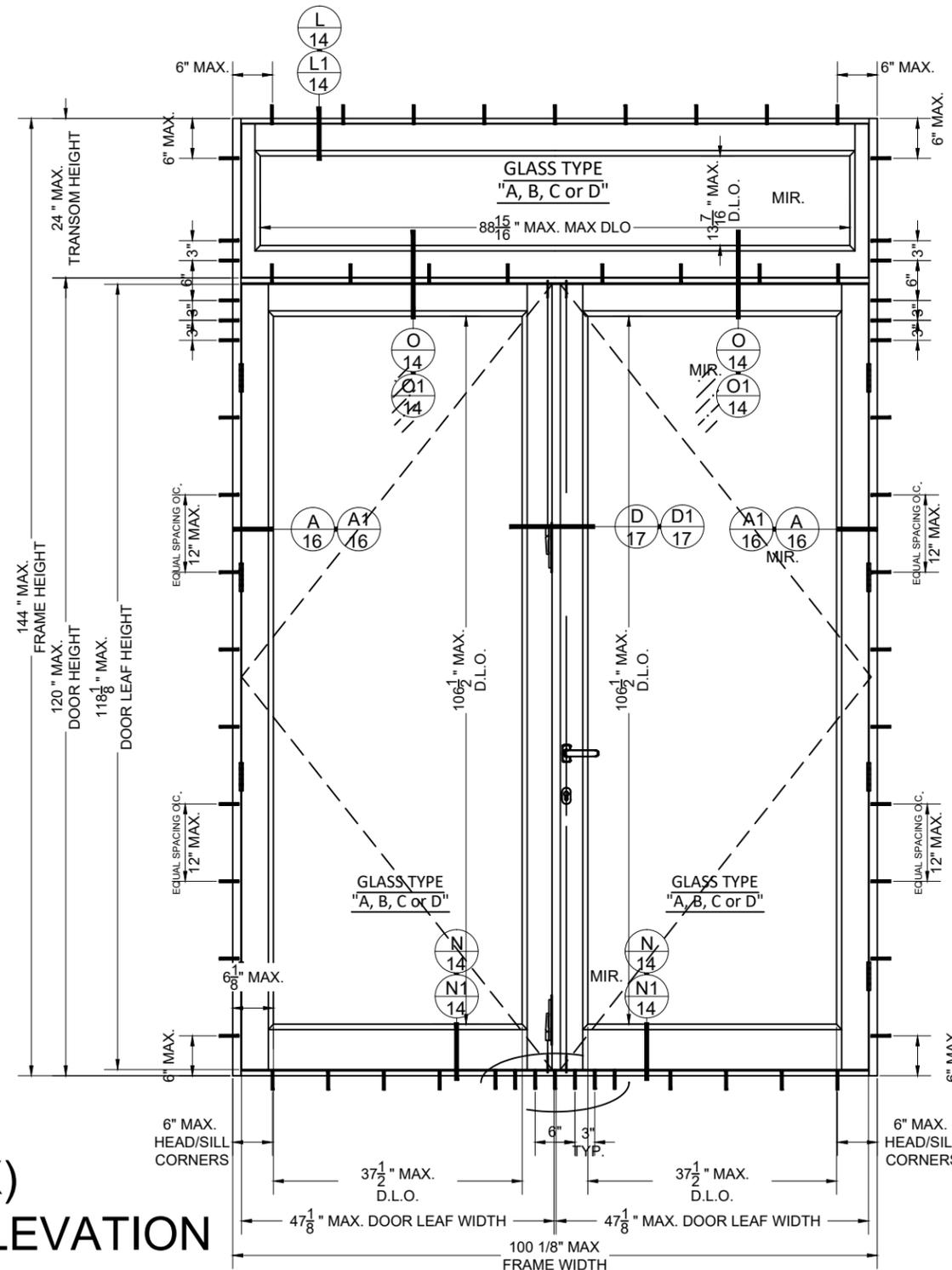
MANUFACTURER'S LABEL SHALL BE LOCATED ON A READILY VISIBLE LOCATION IN ACCORDANCE WITH SECTION 1709.9.3 OF FLORIDA BUILDING CODE. LABELING TO COMPLY WITH SECTION 1709.9.2.

INSTRUCTIONS:

1. DETERMINE THE BUILDING'S REQUIRED DESIGN PRESSURE USING THE ASCE 7 STANDARD. THE TARGET OR PROPOSED DOOR DESIGN PRESSURE MUST MEET OR EXCEED THE VALUE. SHOW ON TABLE BELOW THE APPLICABLE WINDOW CONFIGURATION.
2. DETERMINE THE ANCHOR GROUP FROM TABLE 1.
3. ANCHOR SPACING O.C.C ARE SHOWN IN ELEVATION.
4. ALL GLAZING TYPES ARE TESTED & APPROVED FOR ANY CONFIGURATION UNTIL MAXIMUM DESIGN PRESSURE OF +/- 100 PSF.
5. MULTIPLE CONFIGURATIONS ARE QUALIFIED AND YOU CAN CHOOSE CONFIGURATION AS PER YOU PROJECT REQUIREMENTS WITHOUT EXCEED THE VALUE OF THE TABLE AS SHOWN.
6. DOOR CONFIGURATION CHOSEN MUST HAVE EQUAL OR GREATER DESIGN PRESSURE THAT THE TARGET OR PROPOSED DOOR AT PROJECT.

ADDITIONAL NOTES

- A. CONTRACTOR TO BE RESPONSIBLE FOR THE SELECTION, PURCHASE AND INSTALLATION OF THIS PRODUCT BASED ON THIS PRODUCT EVALUATION PROVIDED HE/SHE DOES NOT DEVIATE FROM THE CONDITIONS DETAILED ON THIS DOCUMENT.
- B. THIS PRODUCT EVALUATION DOCUMENT WILL BE CONSIDERED INVALID IF ALTERED BY ANY MEANS.
- C. SITE SPECIFIC PROJECTS SHALL BE PREPARED BY A FLORIDA REGISTERED ENGINEER OR ARCHITECT WHICH WILL BECOME THE ENGINEER OF RECORD (E.O.R) FOR THE PROJECT AND WHO WILL BE RESPONSIBLE FOR THE PROPER USE OF THE P.E.D. ENGINEER OF RECORD, ACTING AS A DELEGATED ENGINEER TO THE P.E.D. ENGINEER SHALL SUBMIT TO THIS LATTER THE SITE SPECIFIC DRAWINGS FOR REVIEW.
- D. THIS PRODUCT EVALUATION DOCUMENT. SHALL BEAR THE DATE AND ORIGINAL SEAL AND SIGNATURE OF THE PROFESSIONAL ENGINEER OF RECORD THAT PREPARED IT.



(XX)
TYPICAL ELEVATION

MAXIMUM ALLOWABLE DIMENSIONS
DOOR MAX DLO WIDTH = 37 1/2"
DOOR MAX DLO HEIGHT = 106 11/16"
SIDELITES MAX DLO WIDTH = 39 3/8"
SIDELITES MAX DLO HEIGHT = 106 11/16"
TRANSOM MAX DLO WIDTH = 88 15/16"
TRANSOM MAX DLO HEIGHT = 13 7/16"

MAXIMUM DESIGN PRESSURE (FOR SIZE SHOWN ABOVE OR SMALLER)					
GLASS TYPE	HINGES TYPE	LOCK SYSTEM	HARDWARE	EXTERIOR	INTERIOR
GLASS A & B	(4) FOUR/ EACH DOOR PANEL	MULTI POINT LOCK B7380001	SIRIUS DOOR HANDLE B7438202	+100.0 PSF	-100.0 PSF
GLASS C & D	3094F			+100.0 PSF	-100.0 PSF

1
1
TYPICAL ELEVATION
SCALE: 1: 25

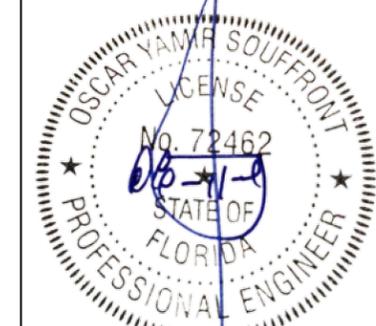
THESE DOORS ARE RATED FOR LARGE & SMALL MISSILE IMPACT. SHUTTERS ARE NOT REQUIRED.

PRODUCT NAME:
SERIES "LR-460"
ALUMINUM FRENCH DOOR SYSTEM -
L. M. I.

REVISIONS			
No.	DATE	BY	DESCRIPTION



OSCAR YAMIR SOUFFRONT
PROFESSIONAL ENGINEER



DATE:

FLORIDA No. 72462

SOUFFRONT CONSTRUCTION GROUP Ltd. Co.
CERTIFICATE OF AUTHORIZATION:
No. 29697
2942 SW 156th AVENUE
MIAMI, FL 33185
Phone: 786.306.9417
email:souffrontengineering@gmail.com

DRAWING TITLE:

TYPICAL ELEVATIONS APPROVED

MANUFACTURER:

LINEA ROSSA LLC
1850 NW 84TH. AVENUE
SUITE 114, DORAL, FL 33126
PHONE: 786-930-7521
EMAIL: info@linearossadesign.com

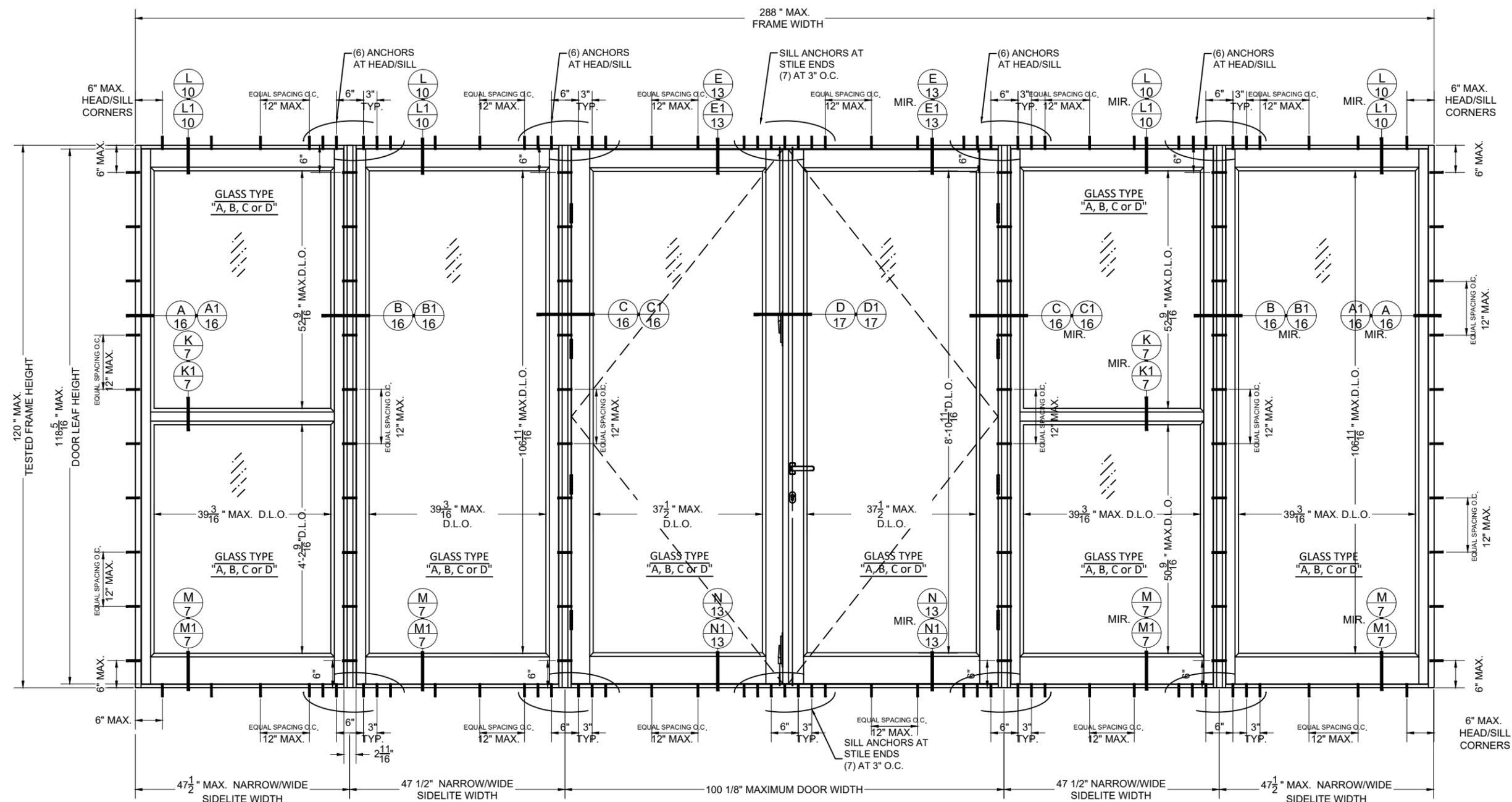
TESTING LABORATORY:

BLACKWATER TESTING INC.
7341 WESTPORT PL. SUITE 1A
WEST PALM BEACH, FL 33413
PHONE: 561.508.2830
EMAIL: Engdep@blackwatertesting.com

Date: MARCH-25-2021
Scale: as Noted

Drawing No. SCG-02043-20.

Sheet No. SCG- 3 OF 25



(O0XX00)
TYOICAL ELEVATION

MAXIMUM ALLOWABLE DIMENSIONS
DOOR MAX DLO WIDTH = 37 1/2"
DOOR MAX DLO HEIGHT = 106 11/16"
SIDELITES MAX DLO WIDTH = 39 3/16"
SIDELITES MAX DLO HEIGHT = 106 11/16"

MAXIMUM DESIGN PRESSURE (FOR SIZE SHOWN ABOVE OR SMALLER)					
GLASS TYPE	HINGES TYPE	LOCK SYSTEM	HARDWARE	EXTERIOR	INTERIOR
GLASS A & B	(4) FOUR/ EACH DOOR PANEL 3094F	MULTI POINT LOCK B7380001	SIRIUS DOOR HANDLE B7438202	+100.0 PSF	-100.0 PSF
GLASS C & D				+100.0 PSF	-100.0 PSF

THESE DOORS ARE RATED FOR LARGE & SMALL MISSILE IMPACT.
SHUTTERS ARE NOT REQUIRED.
DOOR TESTED FOR WATER INFILTARTION

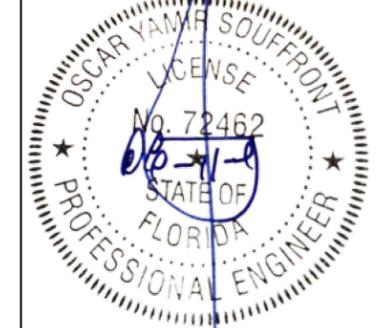
1
3
TYPICAL ELEVATION
SCALE: 1: 25

PRODUCT NAME:
SERIES "LR-460"
ALUMINUM FRENCH DOOR SYSTEM -
L. M. I.

REVISIONS			
No.	DATE	BY	DESCRIPTION



OSCAR YAMIR SOUFFRONT
PROFESSIONAL ENGINEER



DATE:

FLORIDA No. 72462

SOUFFRONT CONSTRUCTION GROUP Ltd. Co.
CERTIFICATE OF AUTHORIZATION:
No. 29697
2942 SW 156th AVENUE
MIAMI, FL 33185
Phone: 786.306.9417
email:souffrontengineering@gmail.com

DRAWING TITLE:

TYPICAL ELEVATIONS APPROVED

MANUFACTURER:

LINEA ROSSA LLC
1850 NW 84TH. AVENUE
SUITE 114, DORAL, FL 33126
PHONE: 786-930-7521
EMAIL: info@linearossadesign.com

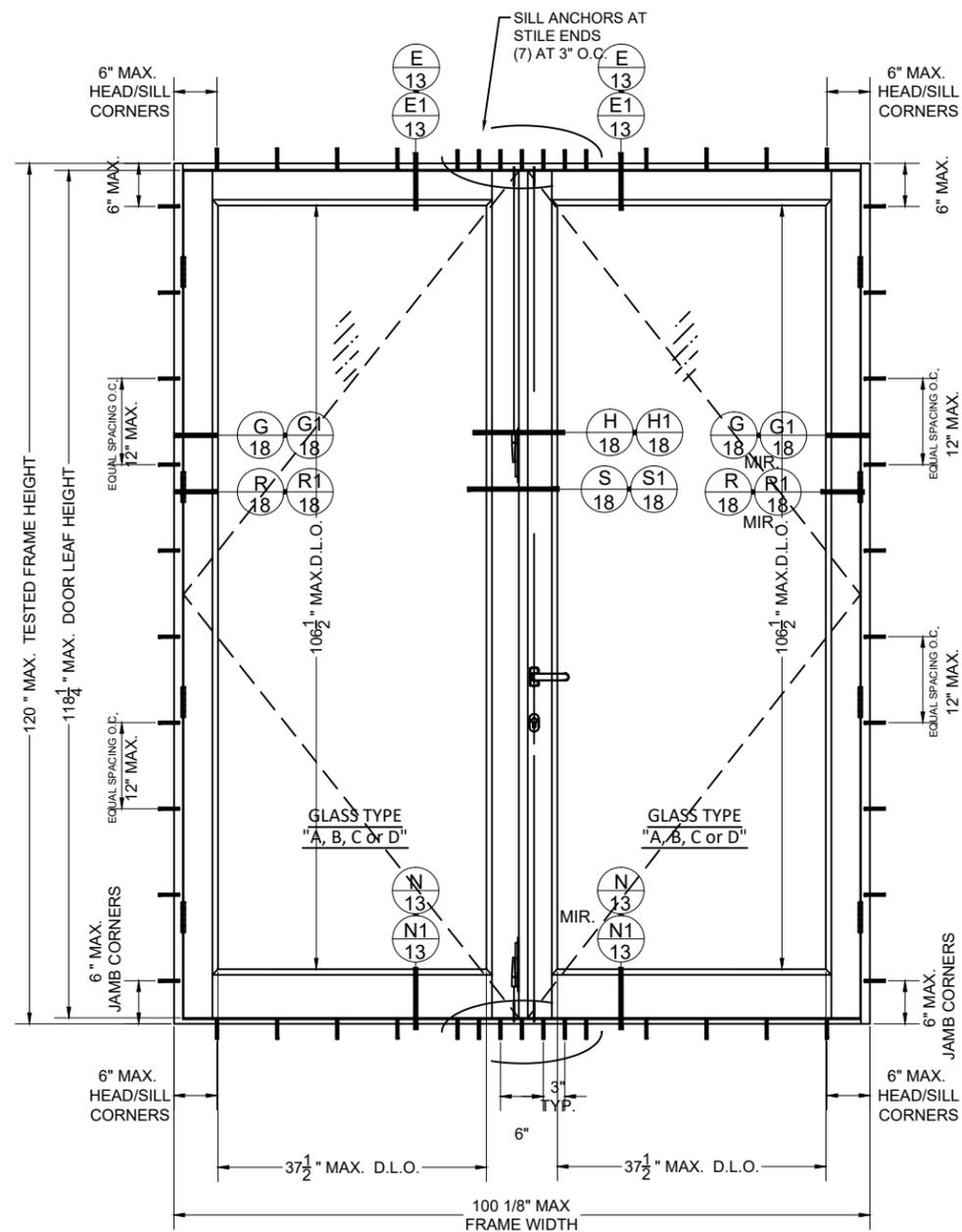
TESTING LABORATORY:

BLACKWATER TESTING INC.
7341 WESTPORT PL. SUITE 1A
WEST PALM BEACH, FL 33413
PHONE: 561.508.2830
EMAIL: Engdep@blackwatertesting.com

Date: MARCH-25-2021
Scale: as Noted

Drawing No. SCG-02043-20.

Sheet No. SCG- 4 OF 25



(XX)
TYPICAL ELEVATION

1 TYPICAL ELEVATION

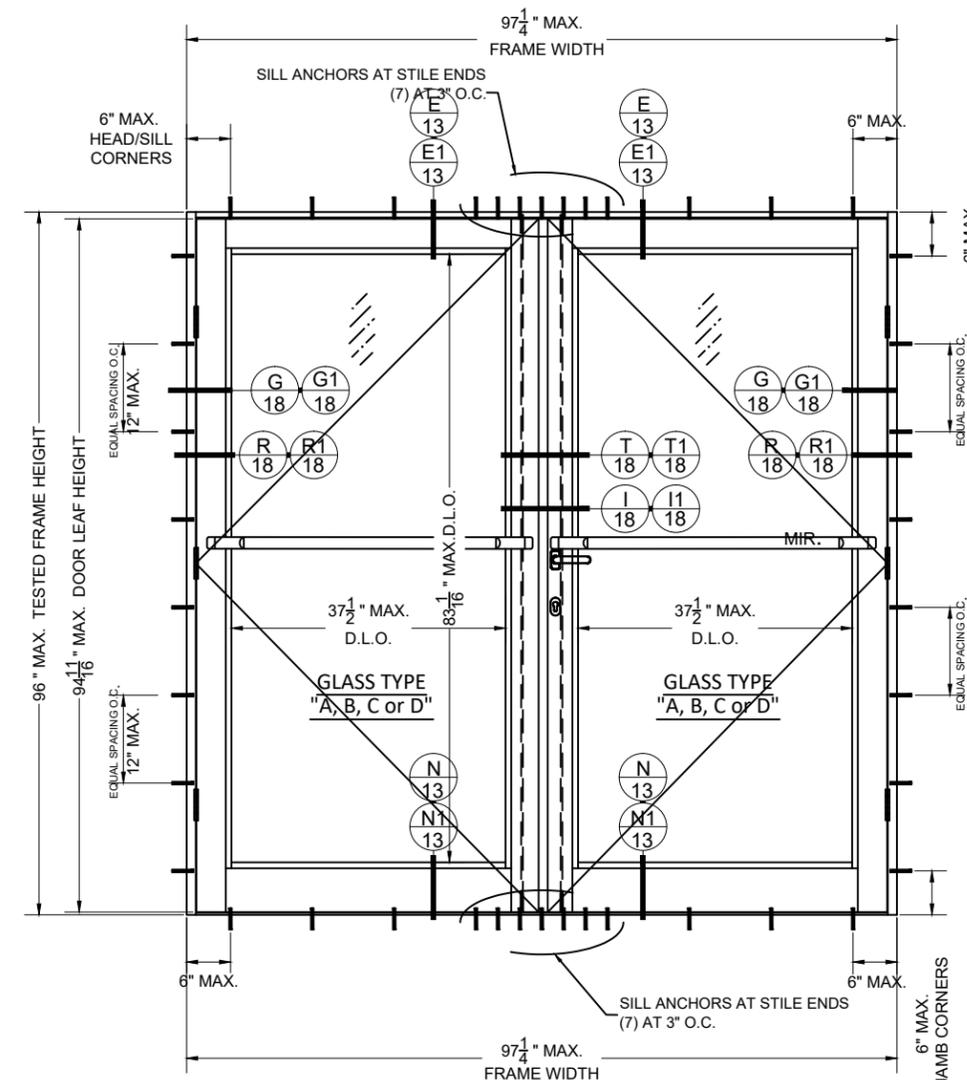
4 SCALE: 1: 25

MAXIMUM ALLOWABLE DIMENSIONS

DOOR MAX DLO WIDTH = $37 \frac{1}{2}$ "
DOOR MAX DLO HEIGHT = $106 \frac{11}{16}$ "

MAXIMUM DESIGN PRESSURE (FOR SIZE SHOWN ABOVE OR SMALLER)						
GLASS TYPE	HINGES TYPE	LOCK SYSTEM	HARDWARE	EXTERIOR	INTERIOR	
GLASS A & B	(4) FOUR/ EACH DOOR PANEL 3094F	MULTI POINT LOCK B7380001 AND PANIC HARDWARE WITH REINF.	SIRIUS DOOR HANDLE B7438202	+100.0 PSF	-100.0 PSF	
GLASS C & D				+100.0 PSF	-100.0 PSF	

THESE DOORS ARE RATED FOR LARGE & SMALL MISSILE IMPACT.
SHUTTERS ARE NOT REQUIRED.
DOOR TESTED FOR WATER INFILTRATION



(XX)
TYPICAL ELEVATION

MAXIMUM ALLOWABLE DIMENSIONS

DOOR MAX DLO WIDTH = $37 \frac{1}{2}$ "
DOOR MAX DLO HEIGHT = $106 \frac{11}{16}$ "

MAXIMUM DESIGN PRESSURE (FOR SIZE SHOWN ABOVE OR SMALLER)

GLASS TYPE	HINGES TYPE	LOCK SYSTEM	HARDWARE	EXTERIOR	INTERIOR
GLASS A & B	(4) FOUR/ EACH DOOR PANEL 3094F	MULTI POINT LOCK B7380001 AND PANIC HARDWARE NOT REINF.	SIRIUS DOOR HANDLE B7438202	+60.0 PSF	-60.0 PSF
GLASS C & D				+60.0 PSF	+60.0 PSF

THESE DOORS ARE RATED FOR LARGE & SMALL MISSILE IMPACT.
SHUTTERS ARE NOT REQUIRED.
THIS DOOR WAS NOT TESTED FOR WATER INFILTRATION AND IS TO BE INSTALLED ONLY WHERE THE WATER REQUIREMENT IS NOT NEEDED.

2 TYPICAL ELEVATION

4 SCALE: 1: 25

PRODUCT NAME:
SERIES "LR-460"
ALUMINUM FRENCH DOOR SYSTEM -
L. M. I.

REVISIONS			
No.	DATE	BY	DESCRIPTION



OSCAR YAMIR SOUFFRONT
PROFESSIONAL ENGINEER



DATE:

FLORIDA No. 72462

SOUFFRONT CONSTRUCTION GROUP Ltd. Co.
CERTIFICATE OF AUTHORIZATION:
No. 29697
2942 SW 156th AVENUE
MIAMI, FL 33185.
Phone: 786.306.9417
email:souffrontengineering@gmail.com

DRAWING TITLE:

QUALIFIED CONFIGURATIONS

MANUFACTURER:

LINEA ROSSA LLC
1850 NW 84TH. AVENUE
SUITE 114, DORAL, FL 33126
PHONE: 786-930-7521
EMAIL: info@linearossadesign.com

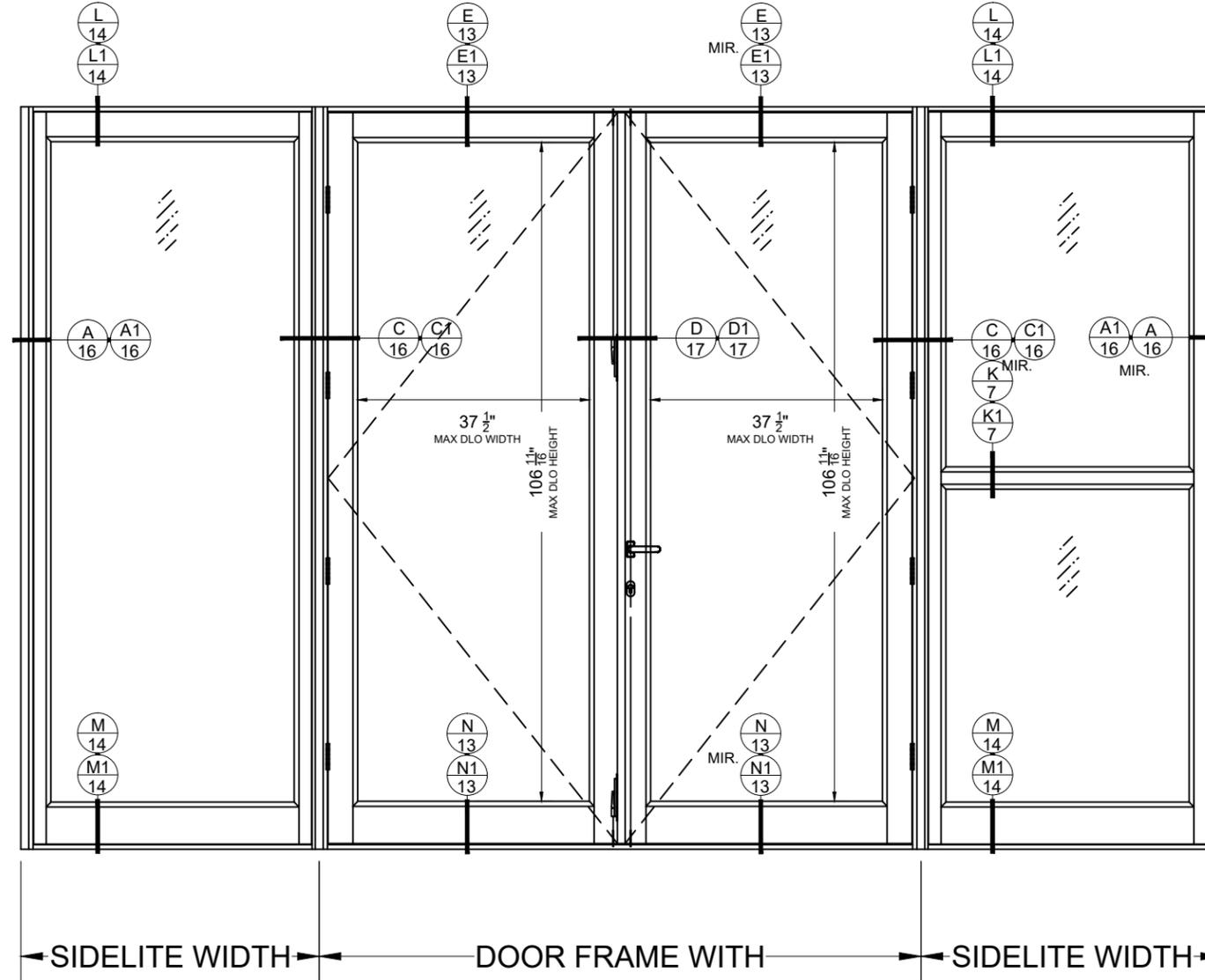
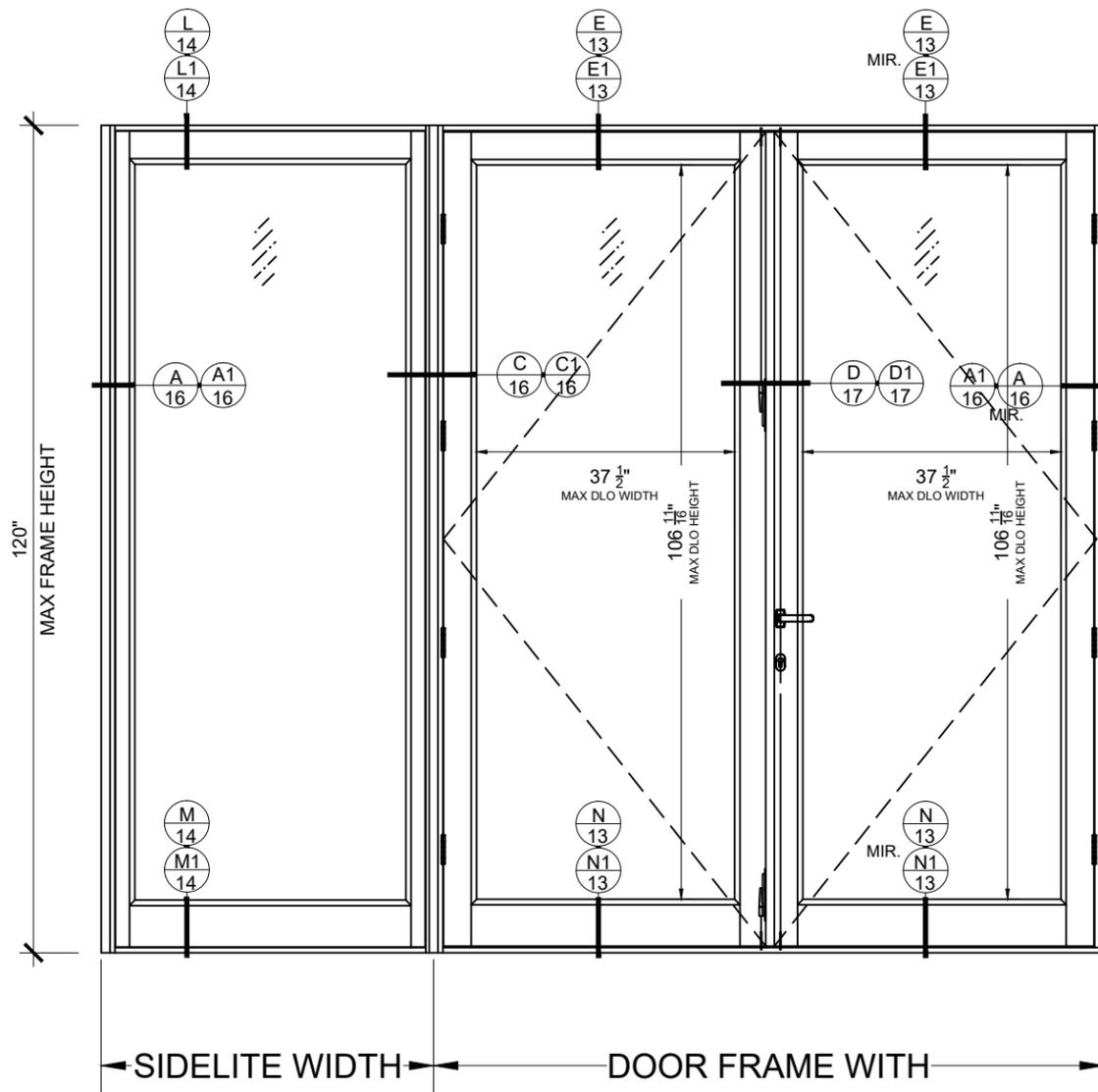
TESTING LABORATORY:

BLACKWATER TESTING INC.
7341 WESTPORT PL. SUITE 1A
WEST PALM BEACH, FL 33413
PHONE: 561.508.2830
EMAIL: Engdep@blackwatertesting.com

Date: MARCH-25-2021
Scale: as Noted

Drawing No. SCG-02043-20.

Sheet No. SCG-5 OF 25



MAXIMUM ALLOWABLE DIMENSIONS
DOOR MAX DLO WIDTH = 37 1/2"
DOOR MAX DLO HEIGHT = 106 11/16"
SIDELITES MAX DLO WIDTH = 39 3/16"
SIDELITES MAX DLO HEIGHT = 106 11/16"

MAXIMUM DESIGN PRESSURE (FOR SIZE SHOWN ABOVE OR SMALLER)					
GLASS TYPE	HINGES TYPE	LOCK SYSTEM	HARDWARE	EXTERIOR	INTERIOR
GLASS A & B	(4) FOUR/ EACH DOOR PANEL 3094F	MULTI POINT LOCK B7380001	SIRIUS DOOR HANDLE B7438202	+100.0 PSF	-100.0 PSF
GLASS C & D				+100.0 PSF	-100.0 PSF

THESE DOORS ARE RATED FOR LARGE & SMALL MISSILE IMPACT.
SHUTTERS ARE NOT REQUIRED.
DOOR TESTED FOR WATER INFILTRATION

PRODUCT NAME:
SERIES "LR-460"
ALUMINUM FRENCH DOOR SYSTEM -
L. M. I.

REVISIONS			
No.	DATE	BY	DESCRIPTION



OSCAR YAMIR SOUFFRONT
PROFESSIONAL ENGINEER



DATE:

FLORIDA No. 72462

SOUFFRONT CONSTRUCTION GROUP Ltd. Co.
CERTIFICATE OF AUTHORIZATION:
No. 29697
2942 SW 156th AVENUE
MIAMI, FL 33185.
Phone: 786.306.9417
email:souffrontengineering@gmail.com

DRAWING TITLE:

QUALIFIED CONFIGURATIONS

MANUFACTURER:

LINEA ROSSA LLC
1850 NW 84TH. AVENUE
SUITE 114, DORAL, FL 33126
PHONE: 786-930-7521
EMAIL: info@linearossadesign.com

TESTING LABORATORY:

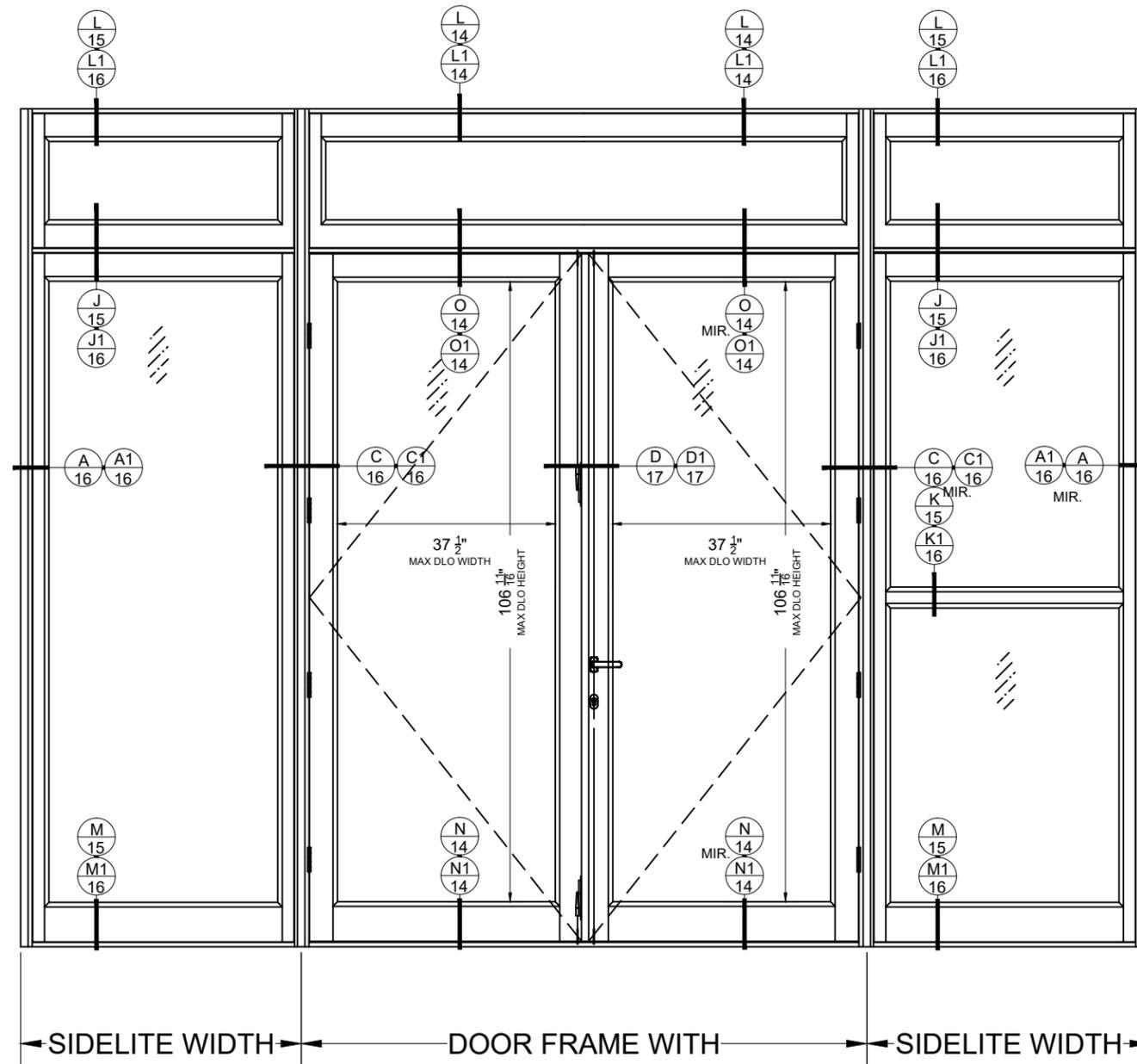
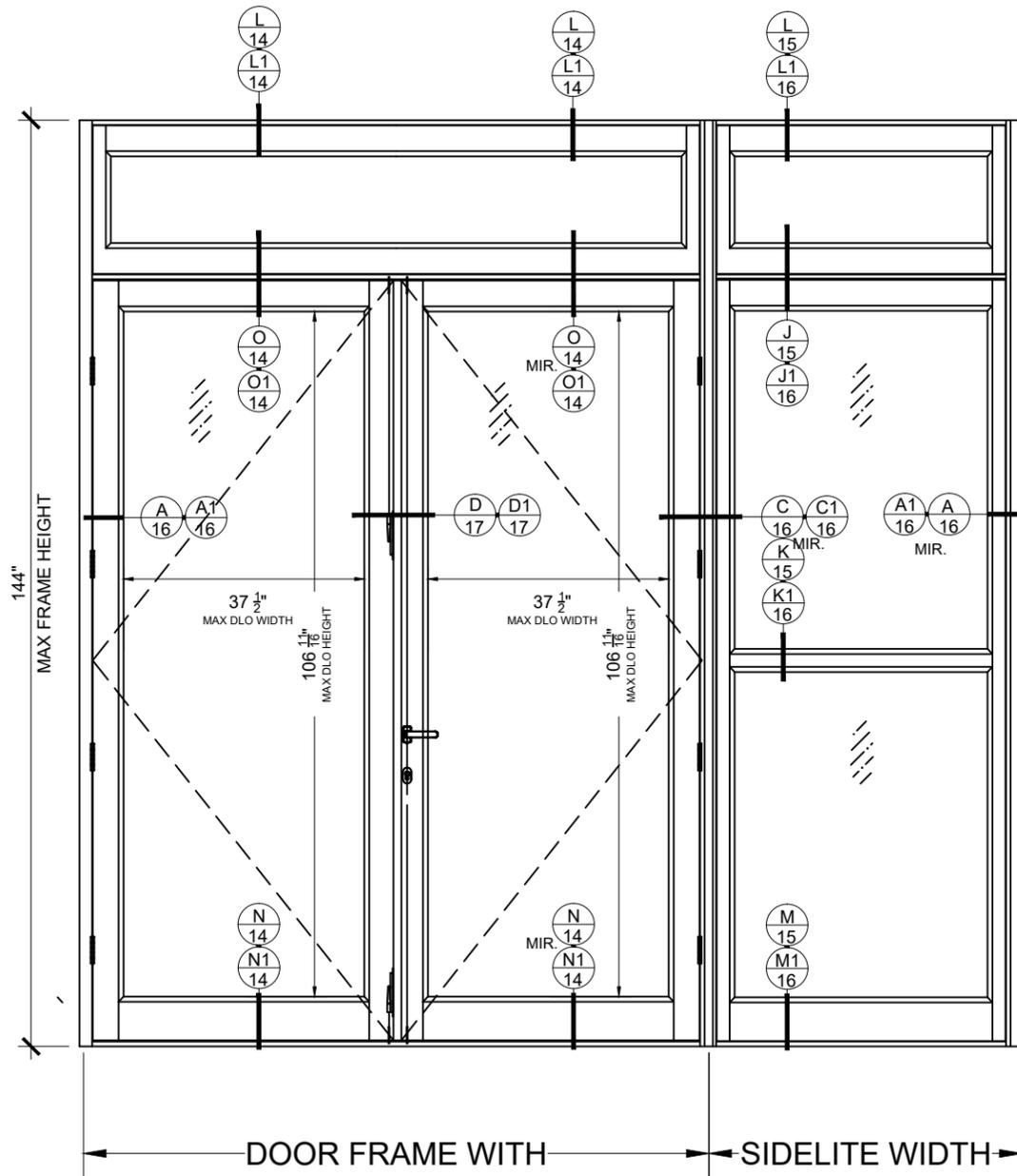
BLACKWATER TESTING INC.
7341 WESTPORT PL. SUITE 1A
WEST PALM BEACH, FL 33413
PHONE: 561.508.2830
EMAIL: Engdep@blackwatertesting.com

Date: MARCH-25-2021
Scale: as Noted

Drawing No. SCG-02043-20.

Sheet No. SCG- 6 OF 25

CONFIGURATIONS QUALIFIED BY TEST.
FOR ANCHORAGE LAYOUT MATCH THE SECTION DETAIL WITH THE ANCHOR
DISTRIBUTION AS SHOWN IN THE TYPICAL ELEVATIONS.



MAXIMUM ALLOWABLE DIMENSIONS

DOOR MAX DLO WIDTH = 37 1/2"
DOOR MAX DLO HEIGHT = 106 11/16"
SIDELITES MAX DLO WIDTH = 39 3/8"
SIDELITES MAX DLO HEIGHT = 106 11/16"
TRANSOM MAX DLO WIDTH = 88 13/16"
TRANSOM MAX DLO HEIGHT = 13 7/16"

MAXIMUM DESIGN PRESSURE (FOR SIZE SHOWN ABOVE OR SMALLER)					
GLASS TYPE	HINGES TYPE	LOCK SYSTEM	HARDWARE	EXTERIOR	INTERIOR
GLASS A & B	(4) FOUR/ EACH DOOR PANEL 3094F	MULTI POINT LOCK B7380001	SIRIUS DOOR HANDLE B7438202	+100.0 PSF	-100.0 PSF
GLASS C & D				+100.0 PSF	-100.0 PSF

THESE DOORS ARE RATED FOR LARGE & SMALL MISSILE IMPACT.
SHUTTERS ARE NOT REQUIRED.
DOOR TESTED FOR WATER INFILTRATION

1 QUALIFIED CONFIGURATIONS
6
SCALE: 1:25

PRODUCT NAME:
SERIES "LR-460"
ALUMINUM FRENCH DOOR SYSTEM -
L. M. I.

REVISIONS			
No.	DATE	BY	DESCRIPTION



OSCAR YAMIR SOUFFRONT
PROFESSIONAL ENGINEER



DATE:

FLORIDA No. 72462

SOUFFRONT CONSTRUCTION GROUP Ltd. Co.
CERTIFICATE OF AUTHORIZATION:
No. 29697
2942 SW 156th AVENUE
MIAMI, FL 33185
Phone: 786.306.9417
email:souffrontengineering@gmail.com

DRAWING TITLE:

QUALIFIED CONFIGURATIONS

MANUFACTURER:

LINEA ROSSA LLC
1850 NW 84TH. AVENUE
SUITE 114, DORAL, FL 33126
PHONE: 786-930-7521
EMAIL: info@linearossadesign.com

TESTING LABORATORY:

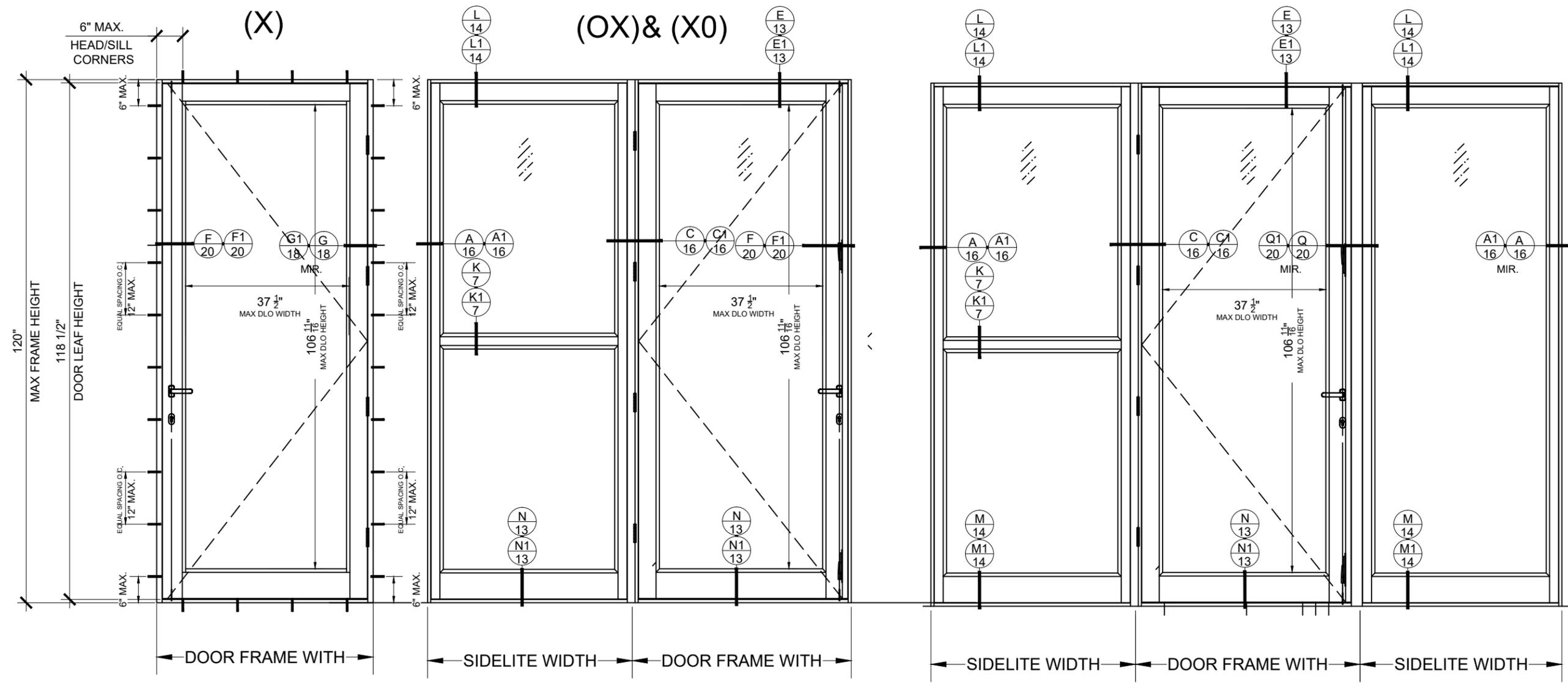
BLACKWATER TESTING INC.
7341 WESTPORT PL. SUITE 1A
WEST PALM BEACH, FL 33413
PHONE: 561.508.2830
EMAIL: Engdep@blackwatertesting.com

Date: MARCH-25-2021
Scale: as Noted

Drawing No. SCG-02043-20.

Sheet No. SCG-7 OF 25

CONFIGURATIONS QUALIFIED BY TEST.
FOR ANCHORAGE LAYOUT MATCH THE SECTION DETAIL WITH THE ANCHOR
DISTRIBUTION AS SHOWN IN THE TYPICAL ELEVATIONS.



(X)
TYPICAL ELEVATION

MAXIMUM ALLOWABLE DIMENSIONS
DOOR MAX DLO WIDTH = 37 1/2"
DOOR MAX DLO HEIGHT = 106 11/16"
SIDELITES MAX DLO WIDTH = 39 3/16"
SIDELITES MAX DLO HEIGHT = 106 11/16"

MAXIMUM DESIGN PRESSURE (FOR SIZE SHOWN ABOVE OR SMALLER)					
GLASS TYPE	HINGES TYPE	LOCK SYSTEM	HARDWARE	EXTERIOR	INTERIOR
GLASS A & B	(4) FOUR/ EACH DOOR PANEL	MULTI POINT LOCK B7380001	SIRIUS DOOR HANDLE B7438202	+100.0 PSF	-100.0 PSF
GLASS C & D	3094F			+100.0 PSF	-100.0 PSF

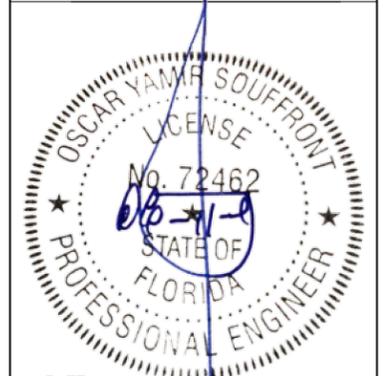
THESE DOORS ARE RATED FOR LARGE & SMALL MISSILE IMPACT.
SHUTTERS ARE NOT REQUIRED.
DOOR TESTED FOR WATER INFILTRATION

PRODUCT NAME:
SERIES "LR-460"
ALUMINUM FRENCH DOOR SYSTEM -
L. M. I.

REVISIONS			
No.	DATE	BY	DESCRIPTION



OSCAR YAMIR SOUFFRONT
PROFESSIONAL ENGINEER



DATE:

FLORIDA No. 72462

SOUFFRONT CONSTRUCTION GROUP Ltd. Co.
CERTIFICATE OF AUTHORIZATION:
No. 29697
2942 SW 156th AVENUE
MIAMI, FL 33185
Phone: 786.306.9417
email:souffrontengineering@gmail.com

DRAWING TITLE:

QUALIFIED CONFIGURATIONS

MANUFACTURER:

LINEA ROSSA LLC
1850 NW 84TH. AVENUE
SUITE 114, DORAL, FL 33126
PHONE: 786-930-7521
EMAIL: info@linearossadesign.com

TESTING LABORATORY:

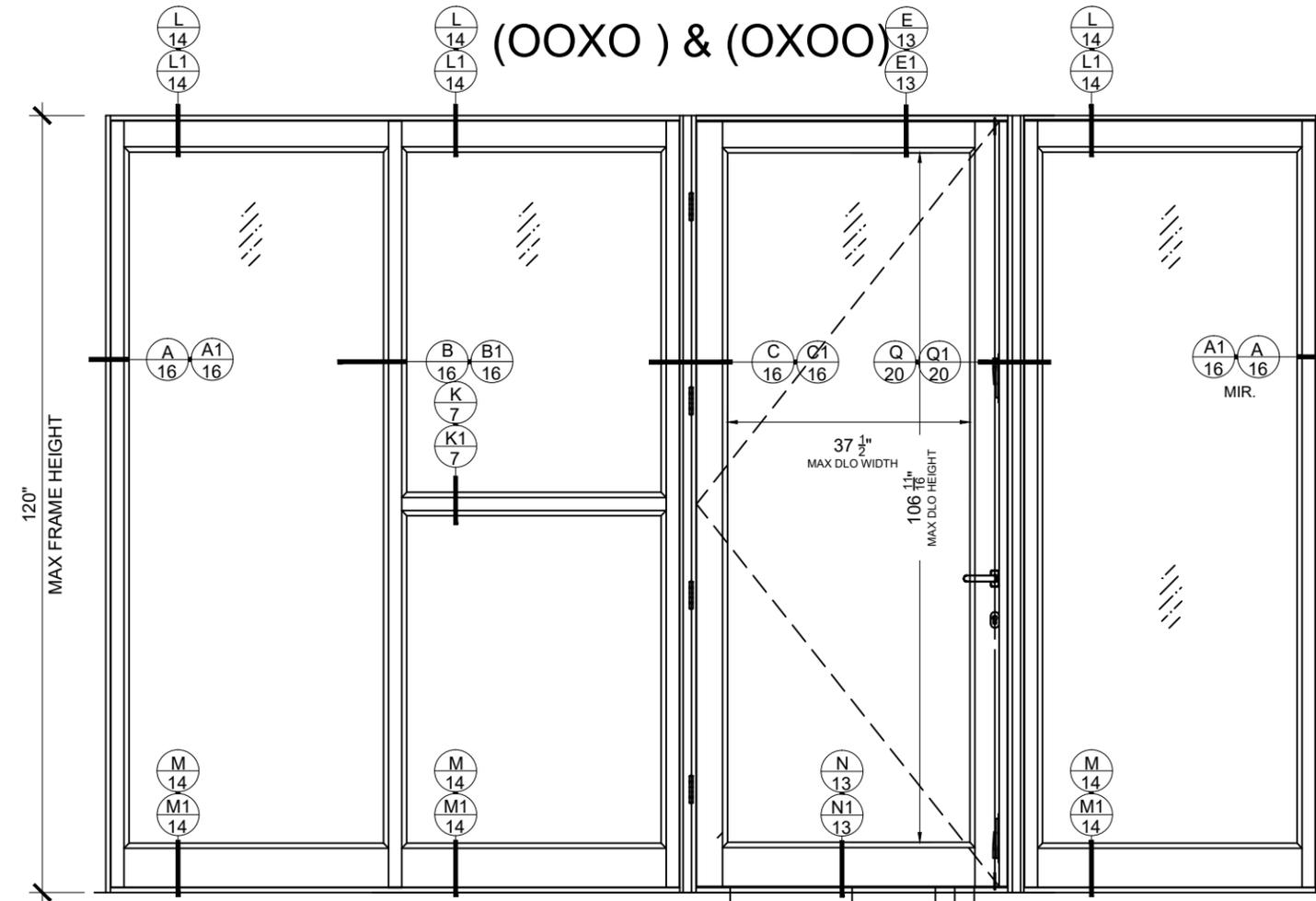
BLACKWATER TESTING INC.
7341 WESTPORT PL. SUITE 1A
WEST PALM BEACH, FL 33413
PHONE: 561.508.2830
EMAIL: Engdep@blackwatertesting.com

Date	Scale
MARCH-25-2021	as Noted

Drawing No.	SCG-02043-20.
-------------	---------------

Sheet No.	SCG- 8 OF 25
-----------	--------------

CONFIGURATIONS QUALIFIED BY TEST.
FOR ANCHORAGE LAYOUT MATCH THE SECTION DETAIL WITH THE ANCHOR
DISTRIBUTION AS SHOWN IN THE TYPICAL ELEVATIONS.



MAXIMUM ALLOWABLE DIMENSIONS
DOOR MAX DLO WIDTH = 37 1/2"
DOOR MAX DLO HEIGHT = 106 11/16"
SIDELITES MAX DLO WIDTH = 39 3/16"
SIDELITES MAX DLO HEIGHT = 106 11/16"

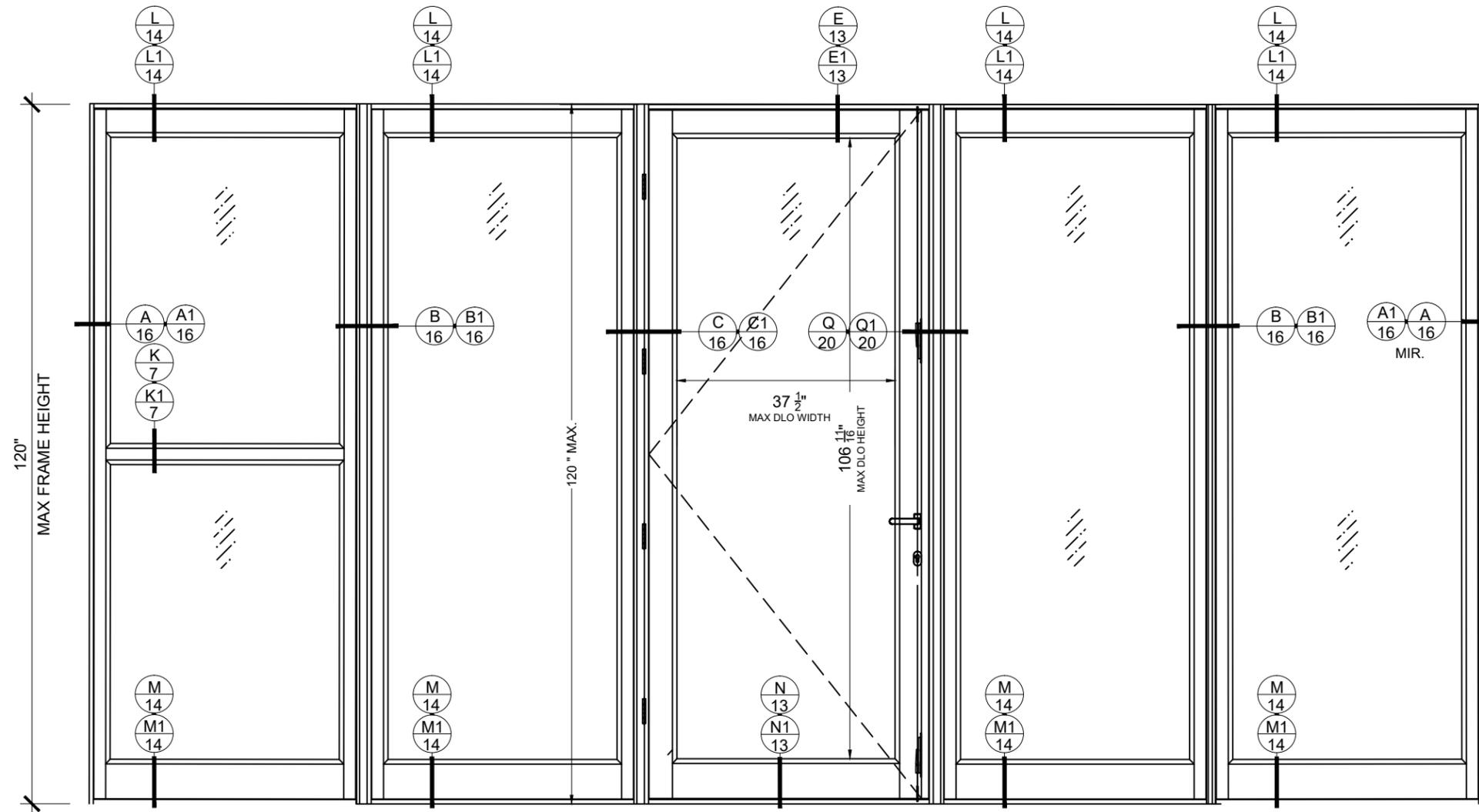
MAXIMUM DESIGN PRESSURE (FOR SIZE SHOWN ABOVE OR SMALLER)					
GLASS TYPE	HINGES TYPE	LOCK SYSTEM	HARDWARE	EXTERIOR	INTERIOR
GLASS A & B	(4) FOUR/ EACH DOOR PANEL 3094F	MULTI POINT LOCK B7380001	SIRIUS DOOR HANDLE B7438202	+100.0 PSF	-100.0 PSF
GLASS C & D				+100.0 PSF	-100.0 PSF

THESE DOORS ARE RATED FOR LARGE & SMALL MISSILE IMPACT.
SHUTTERS ARE NOT REQUIRED.
DOOR TESTED FOR WATER INFILTRATION

1 QUALIFIED CONFIGURATIONS
8 SCALE: 1:25

CONFIGURATIONS QUALIFIED BY TEST.
FOR ANCHORAGE LAYOUT MATCH THE SECTION DETAIL WITH THE ANCHOR
DISTRIBUTION AS SHOWN IN THE TYPICAL ELEVATIONS.

(OOXOO)



MAXIMUM ALLOWABLE DIMENSIONS
DOOR MAX DLO WIDTH = 37 1/2"
DOOR MAX DLO HEIGHT = 106 11/16"
SIDELITES MAX DLO WIDTH = 39 3/16"
SIDELITES MAX DLO HEIGHT = 106 11/16"

MAXIMUM DESIGN PRESSURE (FOR SIZE SHOWN ABOVE OR SMALLER)					
GLASS TYPE	HINGES TYPE	LOCK SYSTEM	HARDWARE	EXTERIOR	INTERIOR
GLASS A & B	(4) FOUR/ EACH DOOR PANEL 3094F	MULTI POINT LOCK B7380001	SIRIUS DOOR HANDLE B7438202	+100.0 PSF	-100.0 PSF
GLASS C & D				+100.0 PSF	-100.0 PSF

THESE DOORS ARE RATED FOR LARGE & SMALL MISSILE IMPACT.
SHUTTERS ARE NOT REQUIRED.
DOOR TESTED FOR WATER INFILTRATION

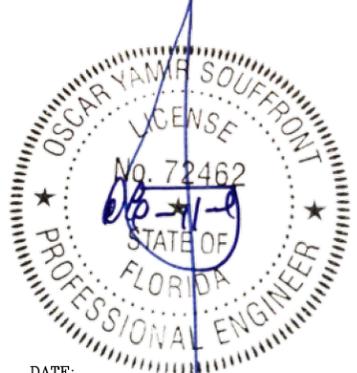
1 QUALIFIED CONFIGURATIONS
9 SCALE: 1:25

PRODUCT NAME:
SERIES "LR-460"
ALUMINUM FRENCH DOOR SYSTEM. -
L. M. I.

REVISIONS			
No.	DATE	BY	DESCRIPTION



OSCAR YAMIR SOUFFRONT
PROFESSIONAL ENGINEER



DATE:

FLORIDA No. 72462

SOUFFRONT CONSTRUCTION GROUP Ltd. Co.
CERTIFICATE OF AUTHORIZATION:
No. 29697
2942 SW 156th AVENUE
MIAMI, FL 33185
Phone: 786.306.9417
email:souffrontengineering@gmail.com

DRAWING TITLE:
QUALIFIED CONFIGURATIONS

MANUFACTURER:
LINEA ROSSA LLC
1850 NW 84TH. AVENUE
SUITE 114, DORAL, FL 33126
PHONE: 786-930-7521
EMAIL: info@linearossadesign.com

TESTING LABORATORY:
BLACKWATER TESTING INC.
7341 WESTPORT PL. SUITE 1A
WEST PALM BEACH, FL 33413
PHONE: 561.508.2830
EMAIL: Engdep@blackwatertesting.com

Date	Scale
MARCH-25-2021	as Noted
Drawing No.	SCG-02043-20.
Sheet No.	SCG-9 OF 25

PRODUCT NAME:
SERIES "LR-460"
ALUMINUM FRENCH DOOR SYSTEM. -
L. M. I.

REVISIONS			
No.	DATE	BY	DESCRIPTION



OSCAR YAMIR SOUFFRONT
PROFESSIONAL ENGINEER



DATE:

FLORIDA No. 72462

SOUFFRONT CONSTRUCTION GROUP Ltd. Co.
CERTIFICATE OF AUTHORIZATION:
No. 29697
2942 SW 156th AVENUE
MIAMI, FL 33185.
Phone: 786.306.9417
email:souffrontengineering@gmail.com

DRAWING TITLE:

QUALIFIED CONFIGURATIONS

MANUFACTURER:

LINEA ROSSA LLC
1850 NW 84TH. AVENUE
SUITE 114, DORAL, FL 33126
PHONE: 786-930-7521
EMAIL: info@linearossadesign.com

TESTING LABORATORY:

BLACKWATER TESTING INC.
7341 WESTPORT PL. SUITE 1A
WEST PALM BEACH, FL 33413
PHONE: 561.508.2830
EMAIL: Engdep@blackwatertesting.com

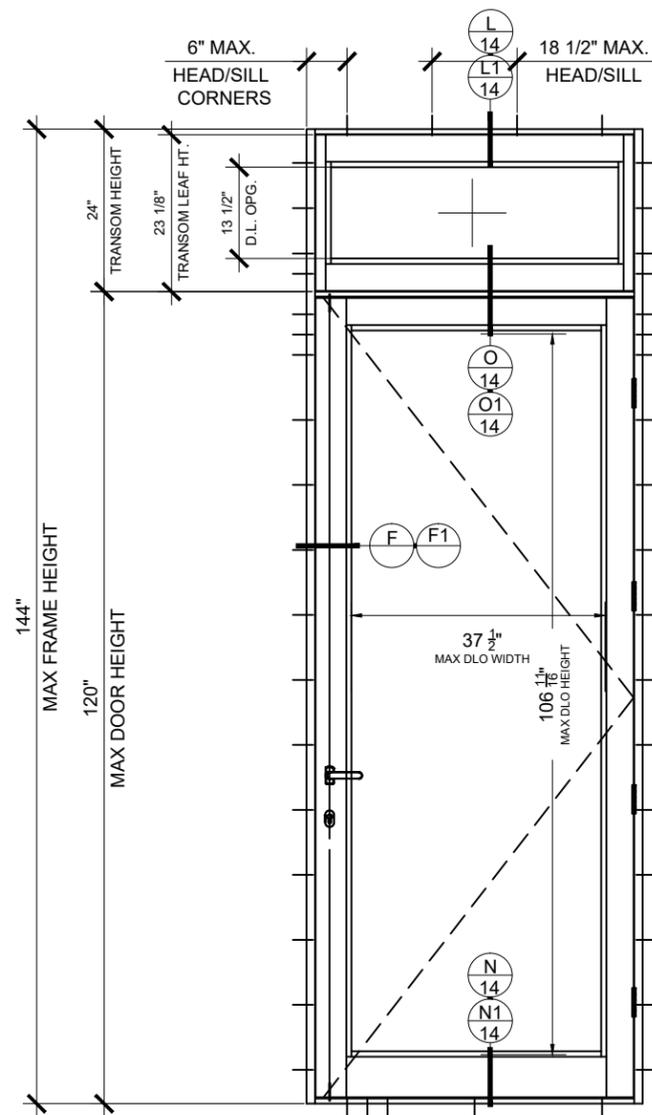
Date: MARCH-25-2021
Scale: as Noted

Drawing No. SCG-02043-20.

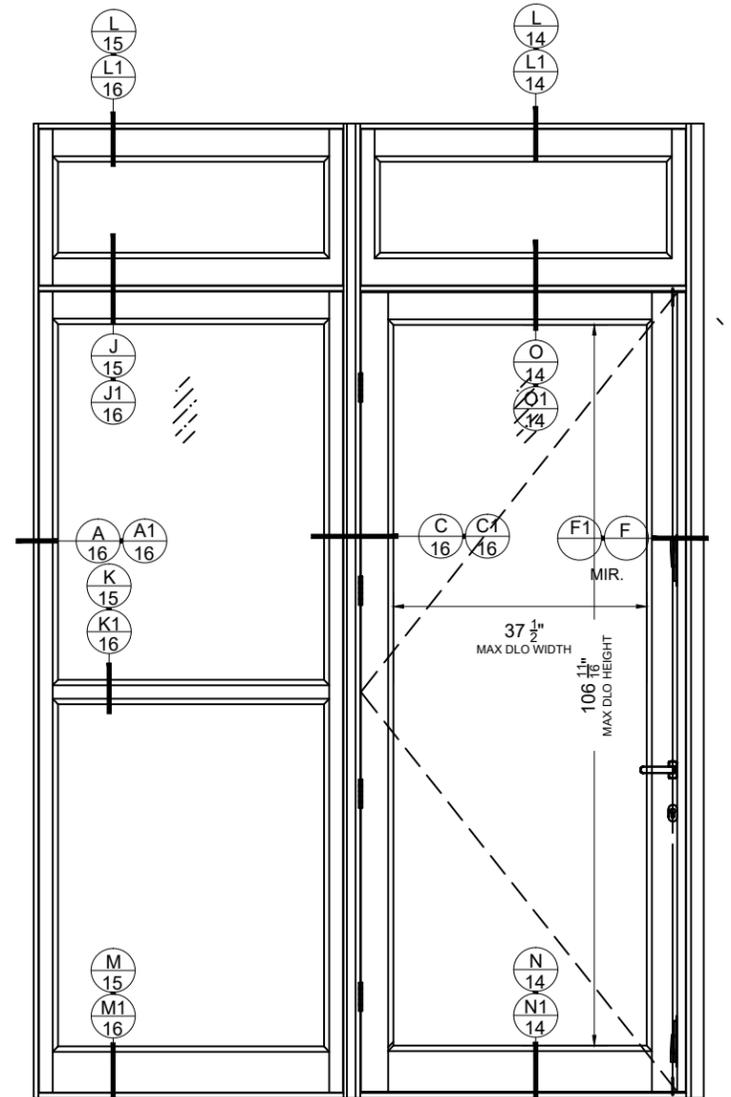
Sheet No. SCG-10 OF 25

CONFIGURATIONS QUALIFIED BY TEST.
FOR ANCHORAGE LAYOUT MATCH THE SECTION DETAIL WITH THE ANCHOR
DISTRIBUTION AS SHOWN IN THE TYPICAL ELEVATIONS.

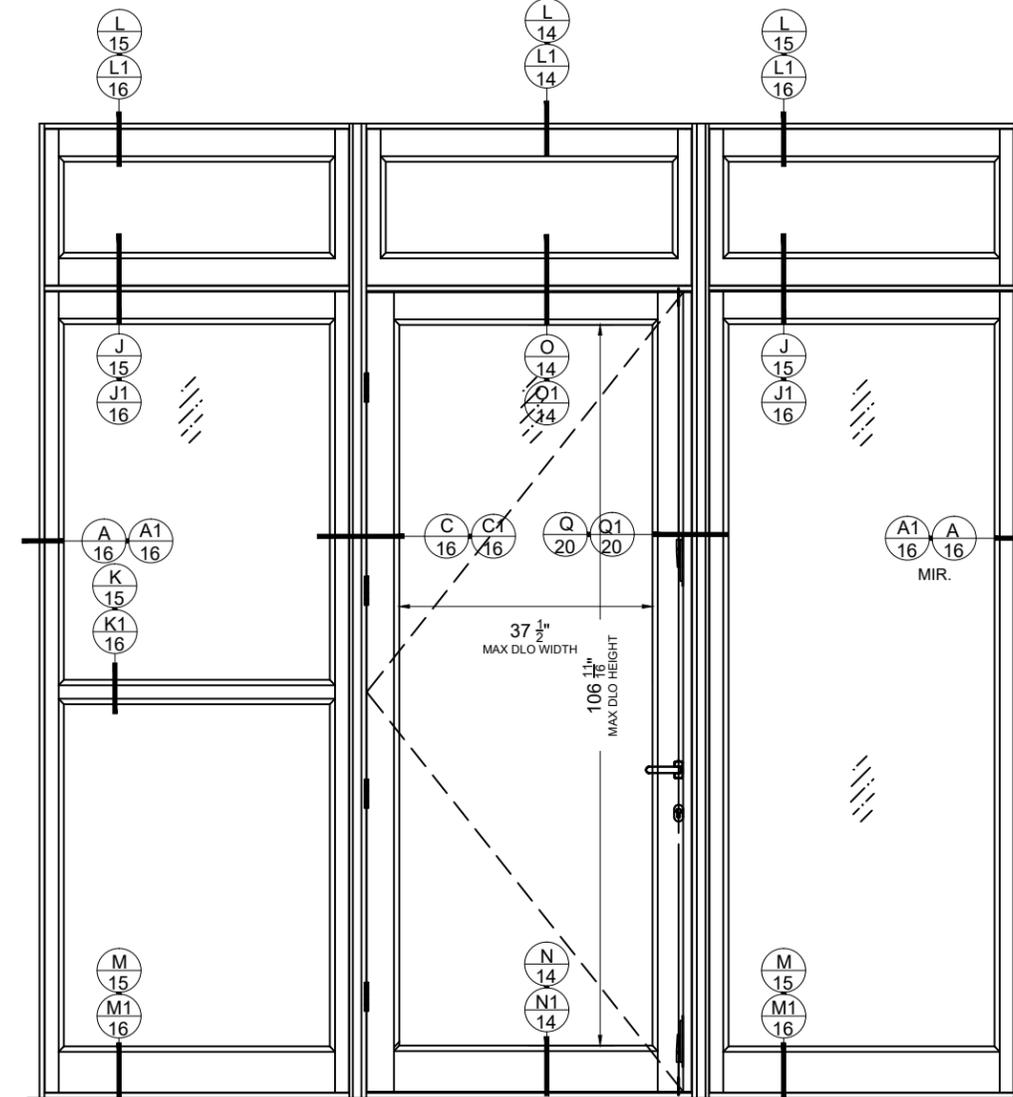
(OXO)& (XOX)



(O/X)
TYPICAL ELEVATION



←SIDELITE WIDTH→ DOOR FRAME WITH ←



←SIDELITE WIDTH→ DOOR FRAME WITH ←SIDELITE WIDTH→

MAXIMUM ALLOWABLE DIMENSIONS	
DOOR MAX DLO WIDTH	= 37 1/2"
DOOR MAX DLO HEIGHT	= 106 11/16"
SIDELITES MAX DLO WIDTH	= 39 3/8"
SIDELITES MAX DLO HEIGHT	= 106 11/16"
TRANSOM MAX DLO WIDTH	= 88 15/16"
TRANSOM MAX DLO HEIGHT	= 13 1/8"

MAXIMUM DESIGN PRESSURE (FOR SIZE SHOWN ABOVE OR SMALLER)					
GLASS TYPE	HINGES TYPE	LOCK SYSTEM	HARDWARE	EXTERIOR	INTERIOR
GLASS A & B	(4) FOUR/ EACH DOOR PANEL	MULTI POINT LOCK B7380001	SIRIUS DOOR HANDLE B7438202	+100.0 PSF	-100.0 PSF
GLASS C & D	3094F			+100.0 PSF	-100.0 PSF

THESE DOORS ARE RATED FOR LARGE & SMALL MISSILE IMPACT.
SHUTTERS ARE NOT REQUIRED.
DOOR TESTED FOR WATER INFILTRATION

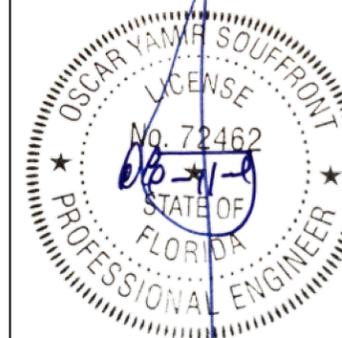
1 QUALIFIED CONFIGURATIONS
10 SCALE: 1:25

PRODUCT NAME:
SERIES "LR-460"
ALUMINUM FRENCH DOOR SYSTEM -
L. M. I.

REVISIONS			
No.	DATE	BY	DESCRIPTION



OSCAR YAMIR SOUFFRONT
PROFESSIONAL ENGINEER



DATE:

FLORIDA No. 72462

SOUFFRONT CONSTRUCTION GROUP Ltd. Co.
CERTIFICATE OF AUTHORIZATION:
No. 29697
2942 SW 156th AVENUE
MIAMI, FL 33185
Phone: 786.306.9417
email:souffrontengineering@gmail.com

DRAWING TITLE:

QUALIFIED CONFIGURATIONS

MANUFACTURER:

LINEA ROSSA LLC
1850 NW 84TH. AVENUE
SUITE 114, DORAL, FL 33126
PHONE: 786-930-7521
EMAIL: info@linearossadesign.com

TESTING LABORATORY:

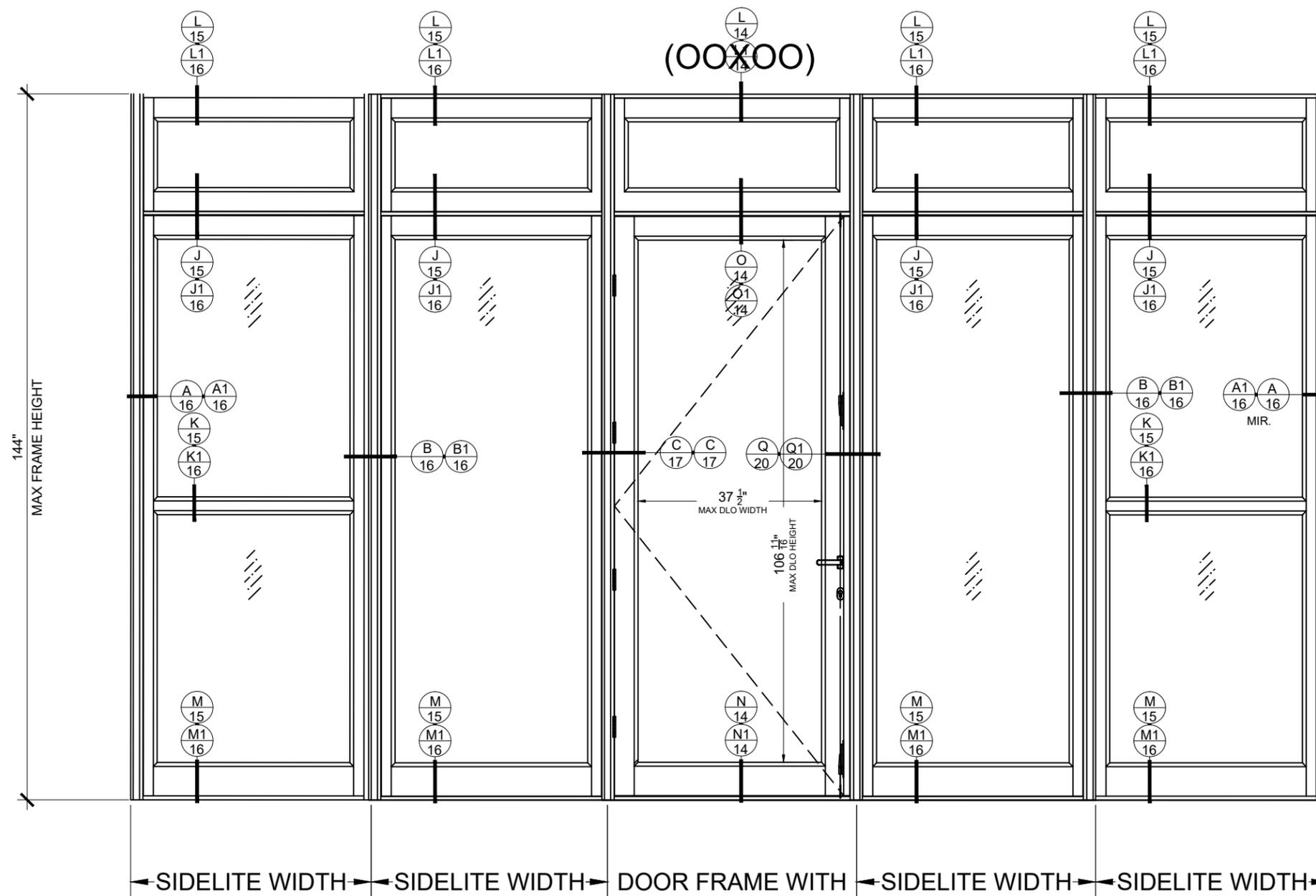
BLACKWATER TESTING INC.
7341 WESTPORT PL. SUITE 1A
WEST PALM BEACH, FL 33413
PHONE: 561.508.2830
EMAIL: Engdep@blackwatertesting.com

Date: MARCH-25-2021
Scale: as Noted

Drawing No. SCG-02043-20.

Sheet No. SCG-11 OF 25

CONFIGURATIONS QUALIFIED BY TEST.
FOR ANCHORAGE LAYOUT MATCH THE SECTION DETAIL WITH THE ANCHOR
DISTRIBUTION AS SHOWN IN THE TYPICAL ELEVATIONS.



MAXIMUM ALLOWABLE DIMENSIONS

DOOR MAX DLO WIDTH = 37 1/2"
DOOR MAX DLO HEIGHT = 106 11/16"
SIDELITES MAX DLO WIDTH = 39 3/8"
SIDELITES MAX DLO HEIGHT = 106 11/16"
TRANSOM MAX DLO WIDTH = 88 11/8"
TRANSOM MAX DLO HEIGHT = 13 7/16"

MAXIMUM DESIGN PRESSURE (FOR SIZE SHOWN ABOVE OR SMALLER)					
GLASS TYPE	HINGES TYPE	LOCK SYSTEM	HARDWARE	EXTERIOR	INTERIOR
GLASS A & B	(4) FOUR/ EACH DOOR PANEL 3094F	MULTI POINT LOCK B7380001	SIRIUS DOOR HANDLE B7438202	+100.0 PSF	-100.0 PSF
GLASS C & D				+100.0 PSF	-100.0 PSF

THESE DOORS ARE RATED FOR LARGE & SMALL MISSILE IMPACT.
SHUTTERS ARE NOT REQUIRED.
DOOR TESTED FOR WATER INFILTRATION

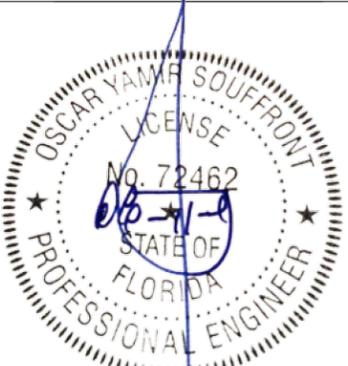
1 QUALIFIED CONFIGURATIONS
11 SCALE: 1:25

PRODUCT NAME:
SERIES "LR-460"
ALUMINUM FRENCH DOOR SYSTEM -
L. M. I.

REVISIONS			
No.	DATE	BY	DESCRIPTION



OSCAR YAMIR SOUFFRONT
PROFESSIONAL ENGINEER



DATE:

FLORIDA No. 72462

SOUFFRONT CONSTRUCTION GROUP Ltd. Co.
CERTIFICATE OF AUTHORIZATION:
No. 29697
2942 SW 156th AVENUE
MIAMI, FL 33185
Phone: 786.306.9417
email:souffrontengineering@gmail.com

DRAWING TITLE:

VERTICAL SECTIONS DETAIL

MANUFACTURER:

LINEA ROSSA LLC
1850 NW 84TH. AVENUE
SUITE 114, DORAL, FL 33126
PHONE: 786-930-7521
EMAIL: info@linearossadesign.com

TESTING LABORATORY:

BLACKWATER TESTING INC.
7341 WESTPORT PL. SUITE 1A
WEST PALM BEACH, FL 33413
PHONE: 561.508.2830
EMAIL: Engdep@blackwatertesting.com

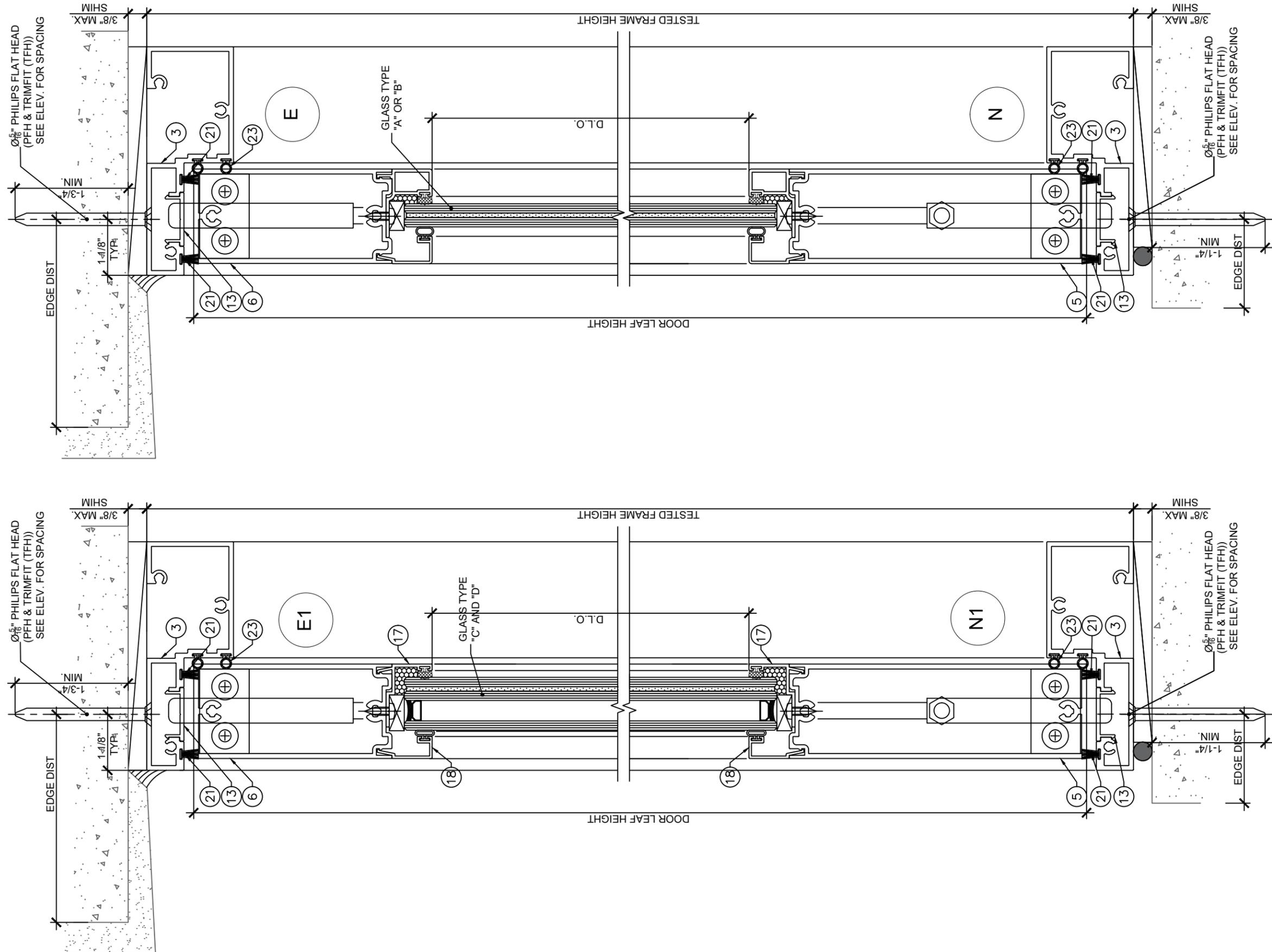
Date	Scale
MARCH-25-2021	as Noted

Drawing No.	SCG-02043-20.
-------------	---------------

Sheet No.	SCG- 13 OF 25
-----------	---------------

2 VERTICAL SECTIONS
GLASS TYPE "A" OR "B" SCALE: 1:2

1 VERTICAL SECTIONS
GLASS TYPE "A" OR "B" SCALE: 1:2

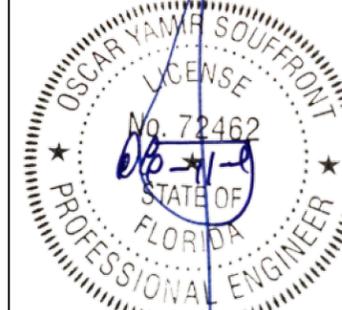


PRODUCT NAME:
SERIES "LR-460"
ALUMINUM FRENCH DOOR SYSTEM -
L. M. I.

REVISIONS			
No.	DATE	BY	DESCRIPTION



OSCAR YAMIR SOUFFRONT
PROFESSIONAL ENGINEER



DATE:

FLORIDA No. 72462

SOUFFRONT CONSTRUCTION GROUP Ltd. Co.
CERTIFICATE OF AUTHORIZATION:
No. 29697
2942 SW 156th AVENUE
MIAMI, FL 33185
Phone: 786.306.9417
email:souffrontengineering@gmail.com

DRAWING TITLE:

VERTICAL SECTIONS DETAIL

MANUFACTURER:

LINEA ROSSA LLC
1850 NW 84TH. AVENUE
SUITE 114, DORAL, FL 33126
PHONE: 786-930-7521
EMAIL: info@linearossadesign.com

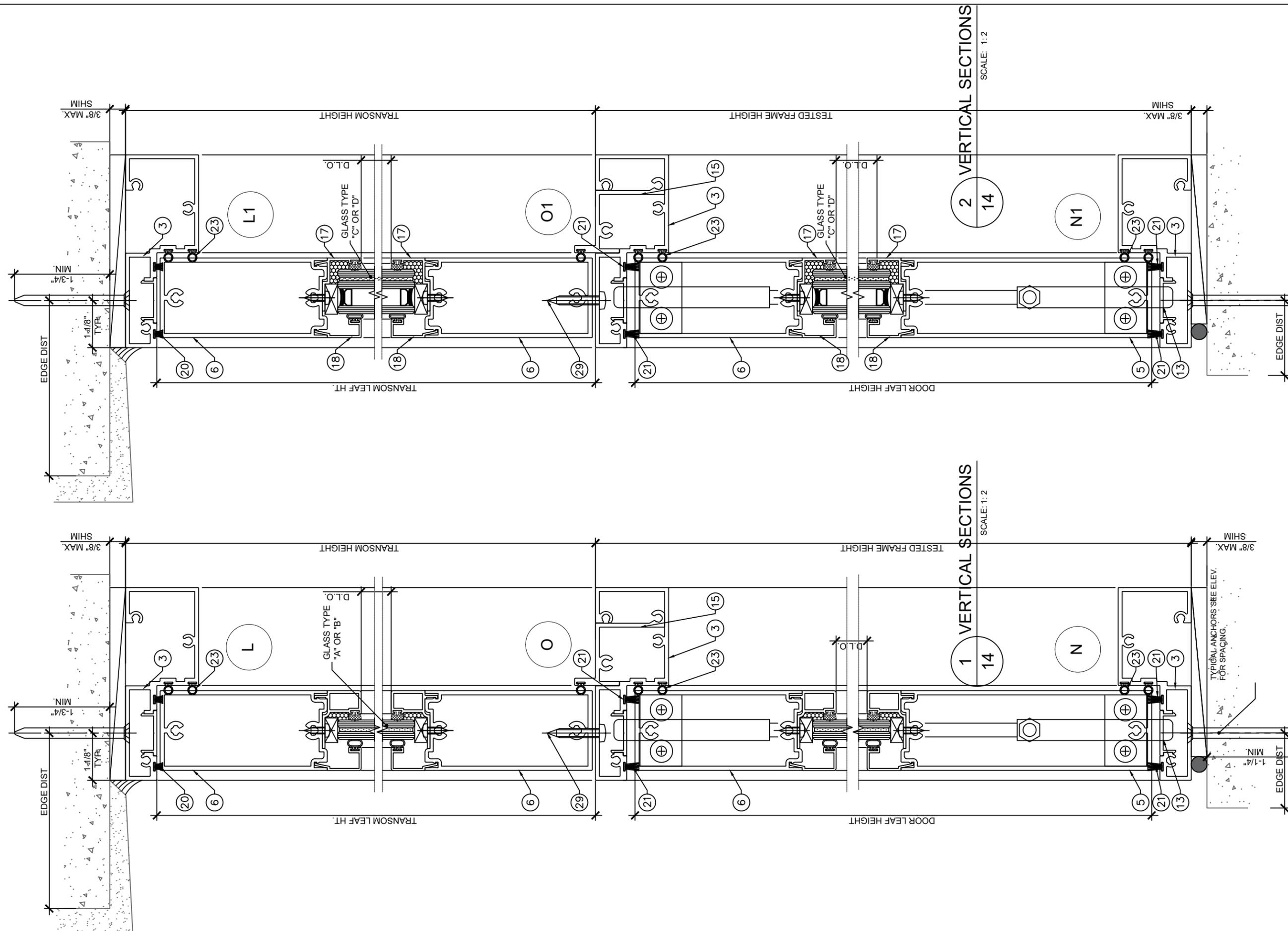
TESTING LABORATORY:

BLACKWATER TESTING INC.
7341 WESTPORT PL. SUITE 1A
WEST PALM BEACH, FL 33413
PHONE: 561.508.2830
EMAIL: Engdep@blackwatertesting.com

Date	Scale
MARCH-25-2021	as Noted

Drawing No.	SCG-02043-20.
-------------	---------------

Sheet No.	SCG- 14 OF 25
-----------	---------------



1 VERTICAL SECTIONS
SCALE: 1:2

2 VERTICAL SECTIONS
SCALE: 1:2

PRODUCT NAME:
SERIES "LR-460"
ALUMINUM FRENCH DOOR SYSTEM -
L. M. I.

REVISIONS			
No.	DATE	BY	DESCRIPTION



OSCAR YAMIR SOUFFRONT
PROFESSIONAL ENGINEER



DATE:

FLORIDA No. 72462

SOUFFRONT CONSTRUCTION GROUP Ltd. Co.
CERTIFICATE OF AUTHORIZATION:
No. 29697
2942 SW 156th AVENUE
MIAMI, FL 33185
Phone: 786.306.9417
email:souffrontengineering@gmail.com

DRAWING TITLE:

VERTICAL SECTIONS DETAILS

MANUFACTURER:

LINEA ROSSA LLC
1850 NW 84TH. AVENUE
SUITE 114, DORAL, FL 33126
PHONE: 786-930-7521
EMAIL: info@linearossadesign.com

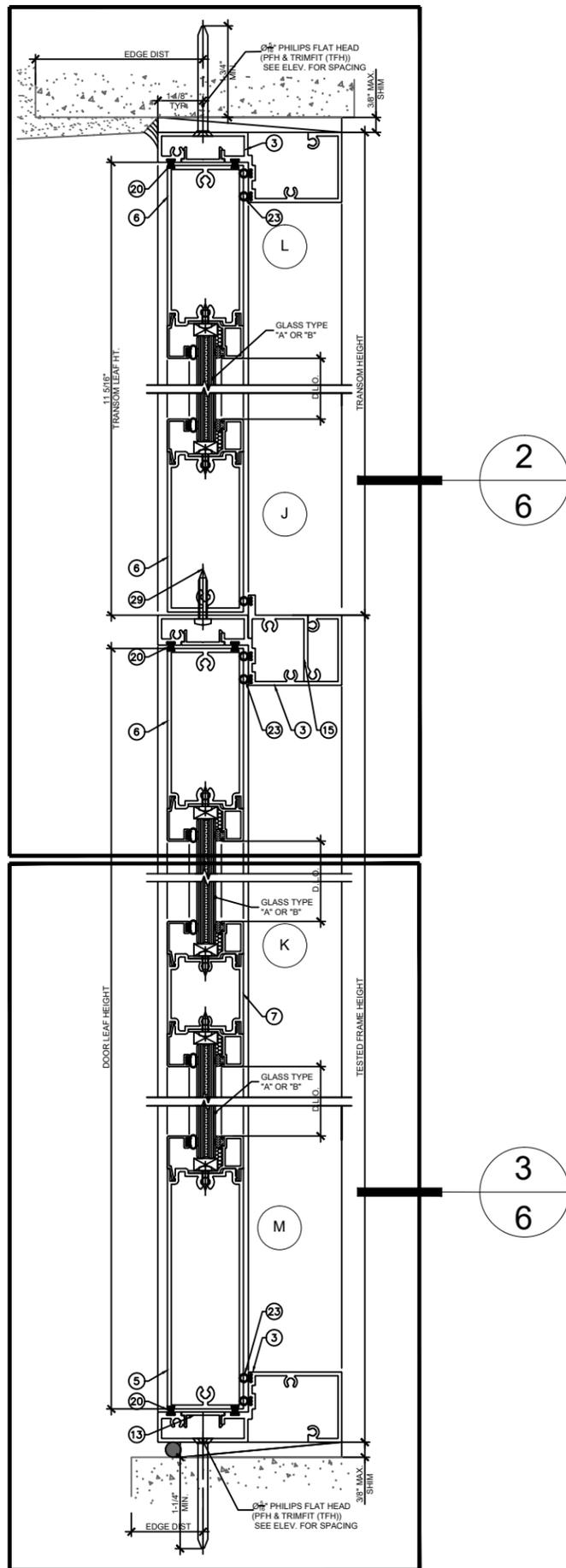
TESTING LABORATORY:

BLACKWATER TESTING INC.
7341 WESTPORT PL. SUITE 1A
WEST PALM BEACH, FL 33413
PHONE: 561.508.2830
EMAIL: Engdep@blackwatertesting.com

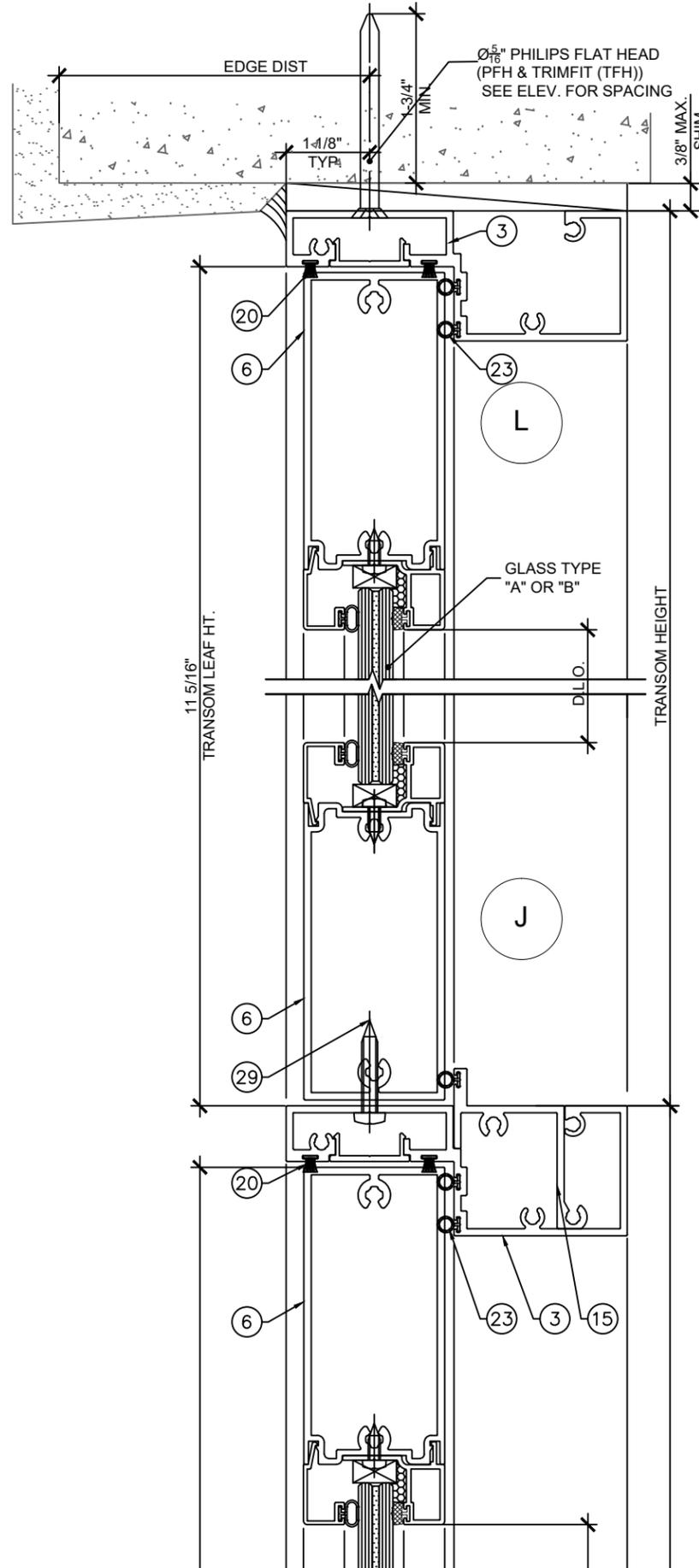
Date	Scale
MARCH-25-2021	as Noted

Drawing No.	SCG-02043-20.
-------------	---------------

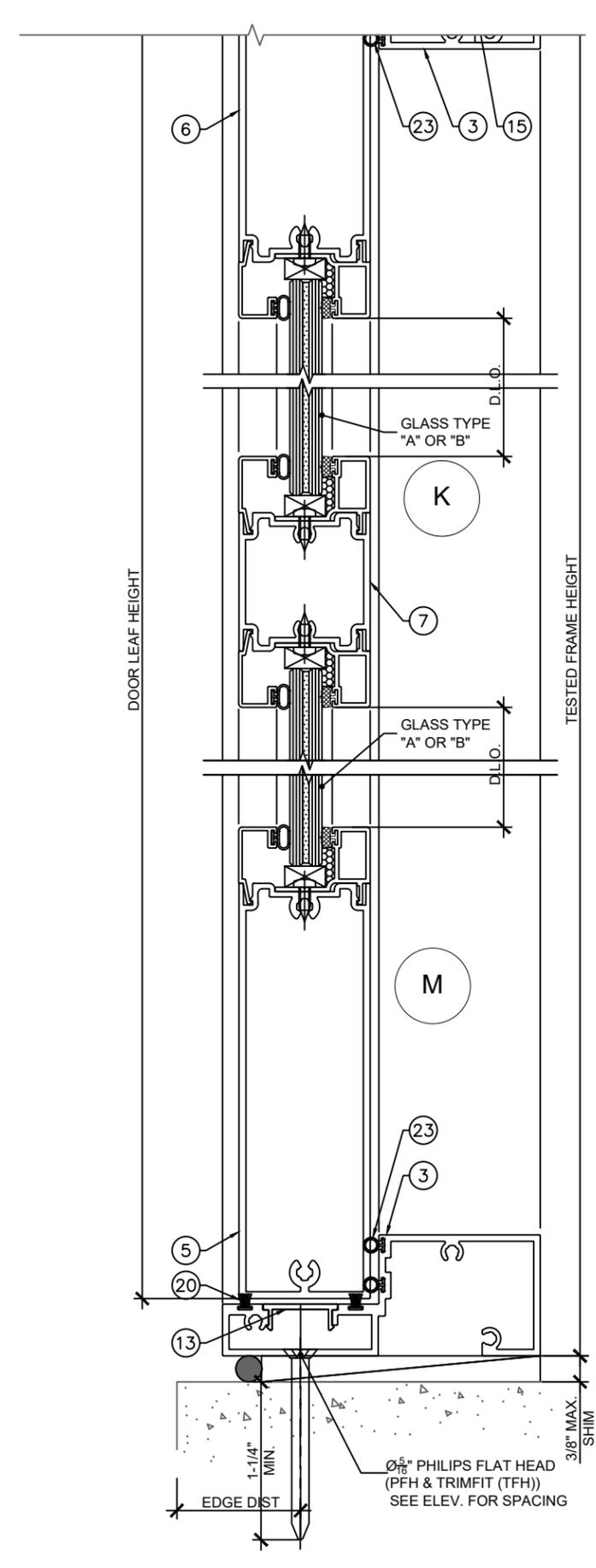
Sheet No.	SCG- 15 OF 25
-----------	---------------



1 VERTICAL FULL SECTION
SCALE: 1: 4



2 PARCIAL VERTICAL SECTION
SCALE: 1: 2



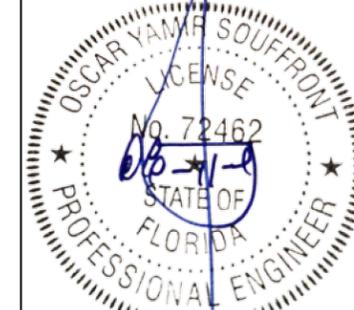
3 PARCIAL VERTICAL SECTION
SCALE: 1: 2

PRODUCT NAME:
SERIES "LR-460"
ALUMINUM FRENCH DOOR SYSTEM -
L. M. I.

REVISIONS			
No.	DATE	BY	DESCRIPTION



OSCAR YAMIR SOUFFRONT
PROFESSIONAL ENGINEER



DATE:

FLORIDA No. 72462

SOUFFRONT CONSTRUCTION GROUP Ltd. Co.
CERTIFICATE OF AUTHORIZATION:
No. 29697
2942 SW 156th AVENUE
MIAMI, FL 33185
Phone: 786.306.9417
email:souffrontengineering@gmail.com

DRAWING TITLE:

VERTICAL SECTIONS DETAILS

MANUFACTURER:

LINEA ROSSA LLC
1850 NW 84TH. AVENUE
SUITE 114, DORAL, FL 33126
PHONE: 786-930-7521
EMAIL: info@linearossadesign.com

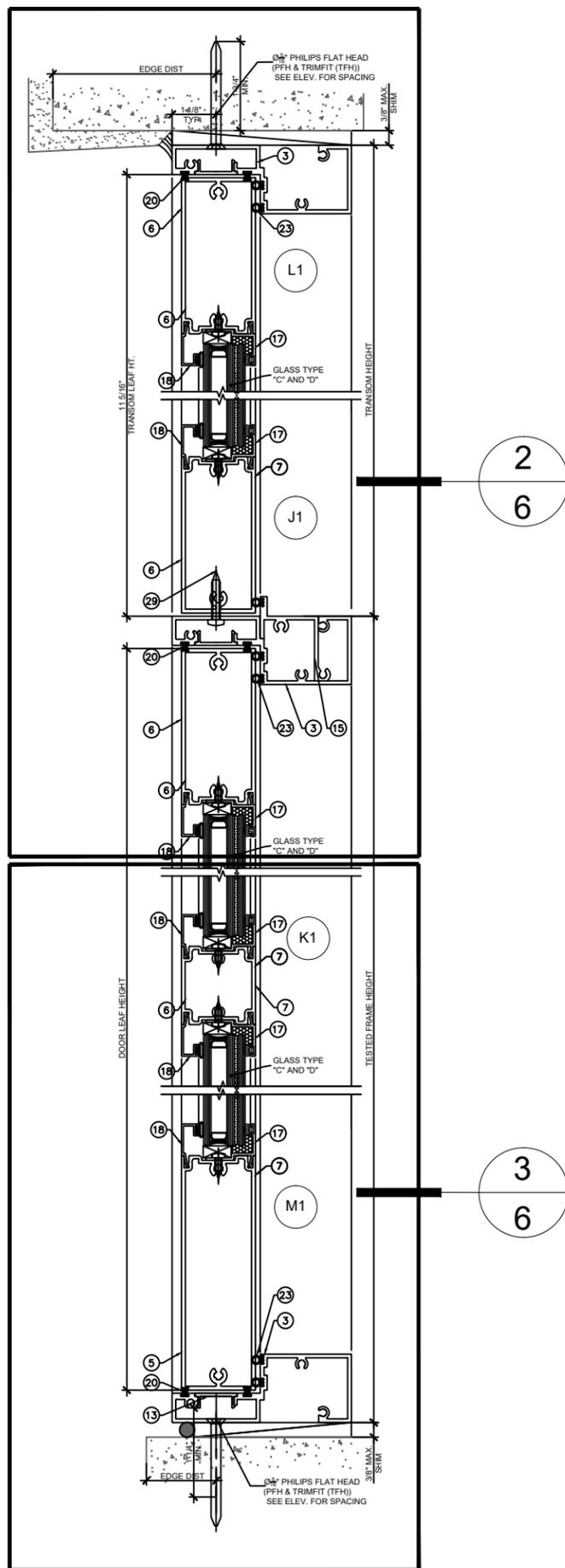
TESTING LABORATORY:

BLACKWATER TESTING INC.
7341 WESTPORT PL. SUITE 1A
WEST PALM BEACH, FL 33413
PHONE: 561.508.2830
EMAIL: Engdep@blackwatertesting.com

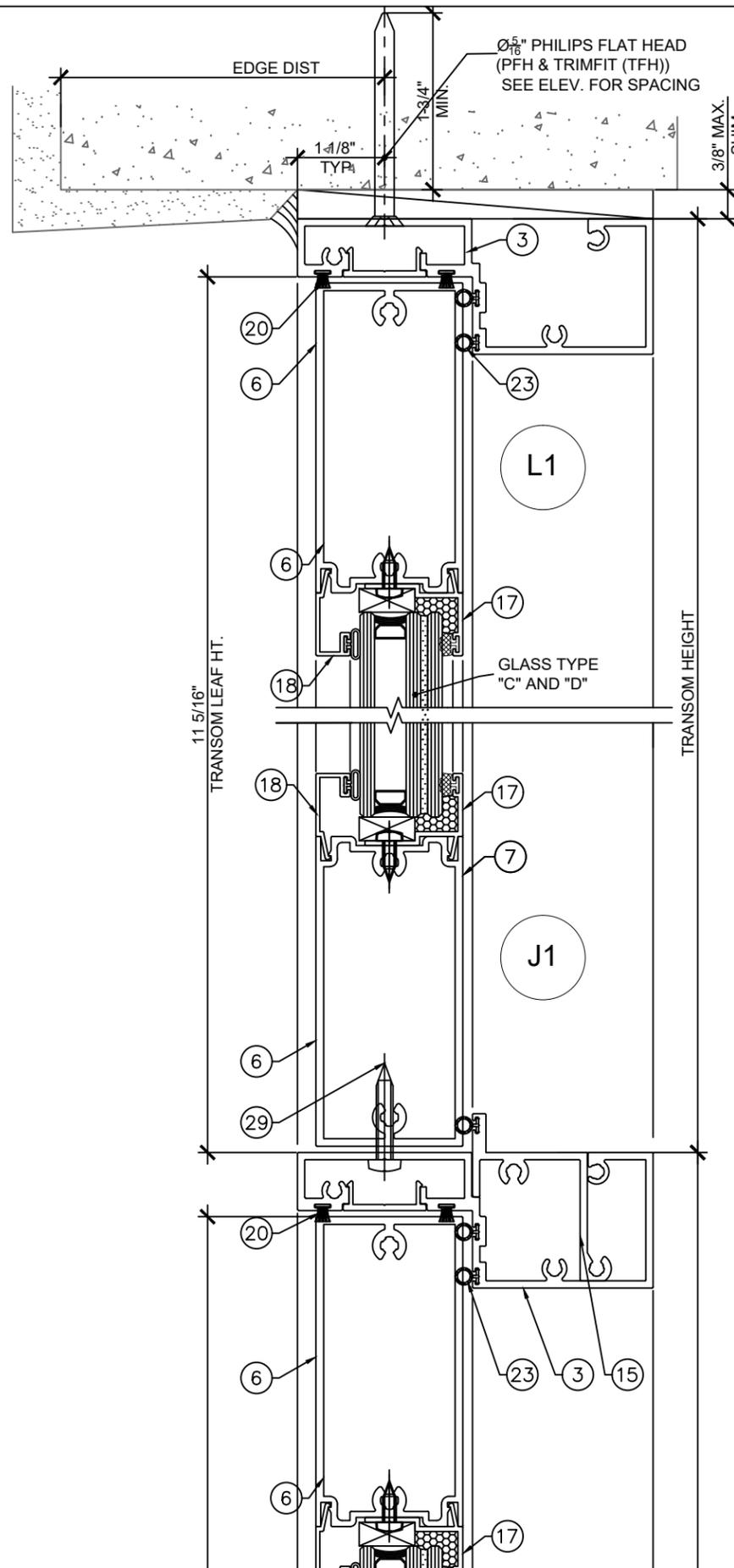
Date	Scale
MARCH-25-2021	as Noted

Drawing No.	SCG-02043-20.
-------------	---------------

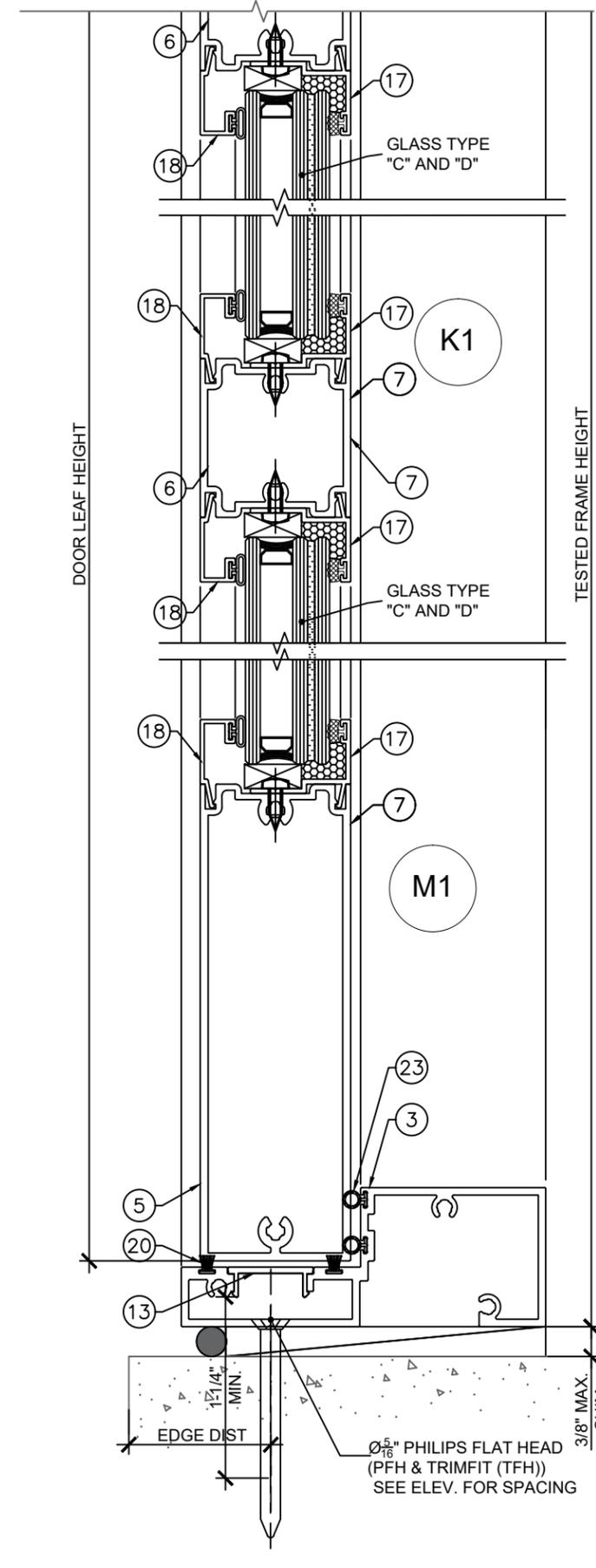
Sheet No.	SCG- 16 OF 25
-----------	---------------



1 VERTICAL FULL SECTION
SCALE: 1: 4



2 PARCIAL VERTICAL SECTION
SCALE: 1: 2



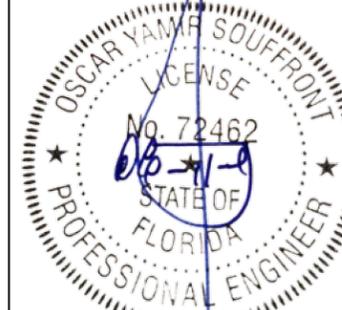
3 PARCIAL VERTICAL SECTION
SCALE: 1: 2

PRODUCT NAME:
SERIES "LR-460"
ALUMINUM FRENCH DOOR SYSTEM -
L. M. I.

REVISIONS			
No.	DATE	BY	DESCRIPTION



OSCAR YAMIR SOUFFRONT
PROFESSIONAL ENGINEER



DATE:

FLORIDA No. 72462

SOUFFRONT CONSTRUCTION GROUP Ltd. Co.
CERTIFICATE OF AUTHORIZATION:
No. 29697
2942 SW 156th AVENUE
MIAMI, FL 33185.
Phone: 786.306.9417
email:souffrontengineering@gmail.com

DRAWING TITLE:

HORIZONTAL SECTIONS DETAILS

MANUFACTURER:

LINEA ROSSA LLC
1850 NW 84TH. AVENUE
SUITE 114, DORAL, FL 33126
PHONE: 786-930-7521
EMAIL: info@linearossadesign.com

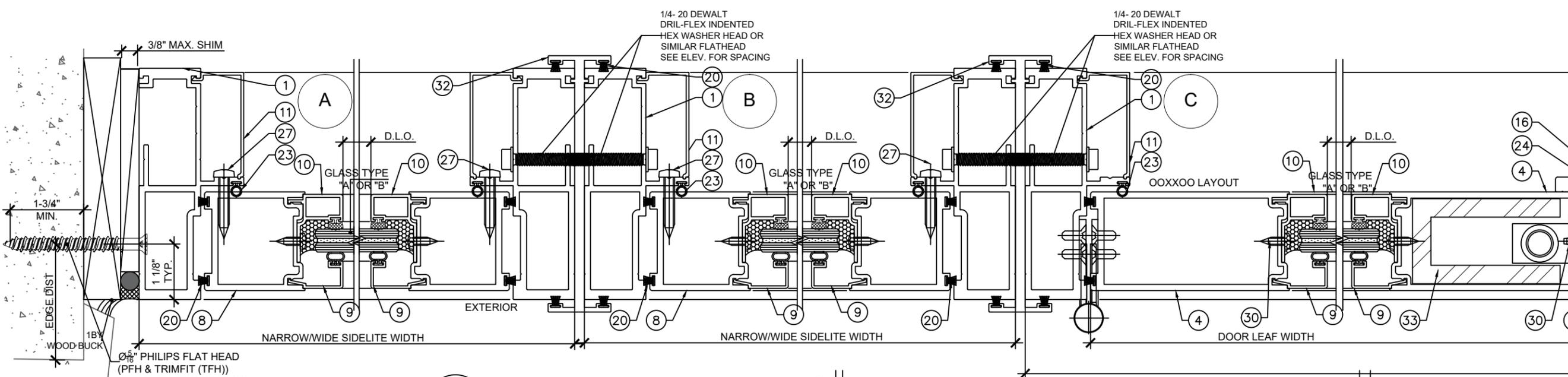
TESTING LABORATORY:

BLACKWATER TESTING INC.
7341 WESTPORT PL. SUITE 1A
WEST PALM BEACH, FL 33413
PHONE: 561.508.2830
EMAIL: Engdep@blackwatertesting.com

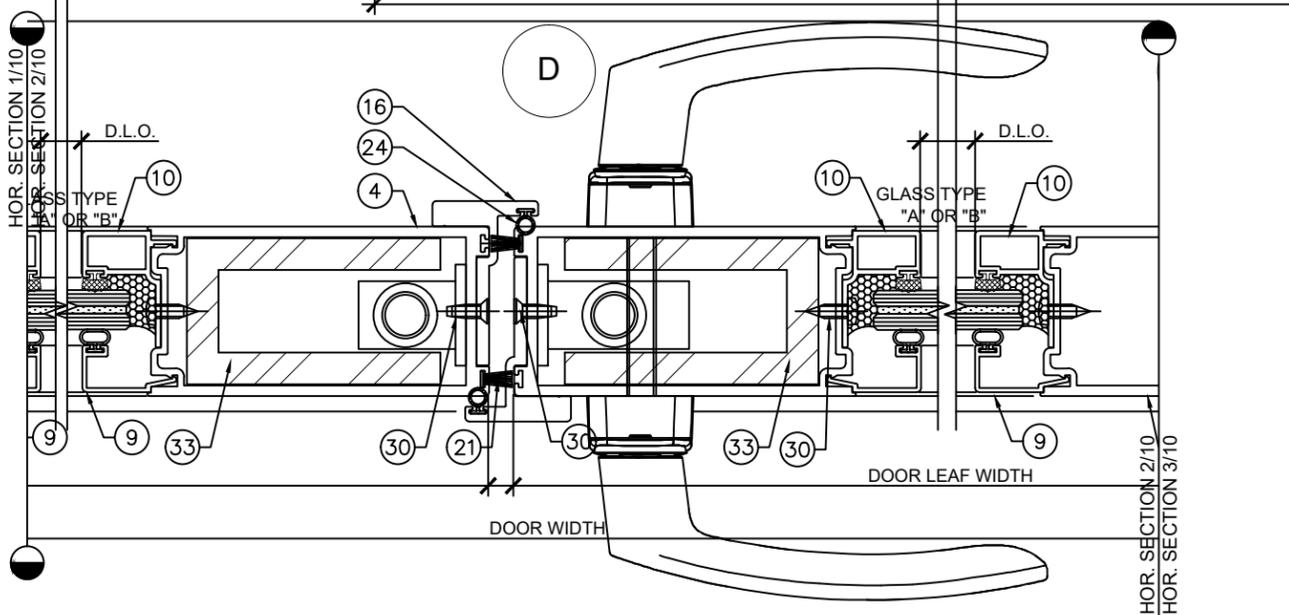
Date MARCH-25-2021 Scale as Noted

Drawing No. SCG-02043-20.

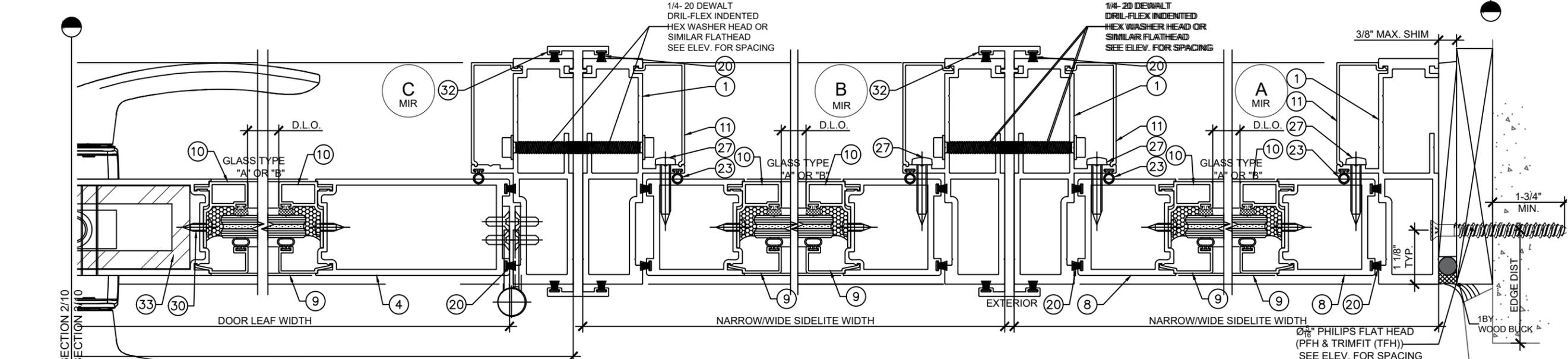
Sheet No. SCG- 17 OF 25



1 PARTIAL HORIZONTAL SECTION
17 GLASS TYPE "A" OR "B" SCALE: 1: 2



2 PARTIAL HORIZONTAL SECTION
17 GLASS TYPE "A" OR "B" SCALE: 1: 2



3 PARTIAL HORIZONTAL SECTION
17 GLASS TYPE "A" OR "B" SCALE: 1: 2

PRODUCT NAME:
SERIES "LR-460"
ALUMINUM FRENCH DOOR SYSTEM -
L. M. I.

REVISIONS			
No.	DATE	BY	DESCRIPTION



OSCAR YAMIR SOUFFRONT
PROFESSIONAL ENGINEER



DATE:

FLORIDA No. 72462

SOUFFRONT CONSTRUCTION GROUP Ltd. Co.
CERTIFICATE OF AUTHORIZATION:
No. 29697
2942 SW 156th AVENUE
MIAMI, FL 33185
Phone: 786.306.9417
email:souffrontengineering@gmail.com

DRAWING TITLE:

HORIZONTAL SECTIONS

MANUFACTURER:

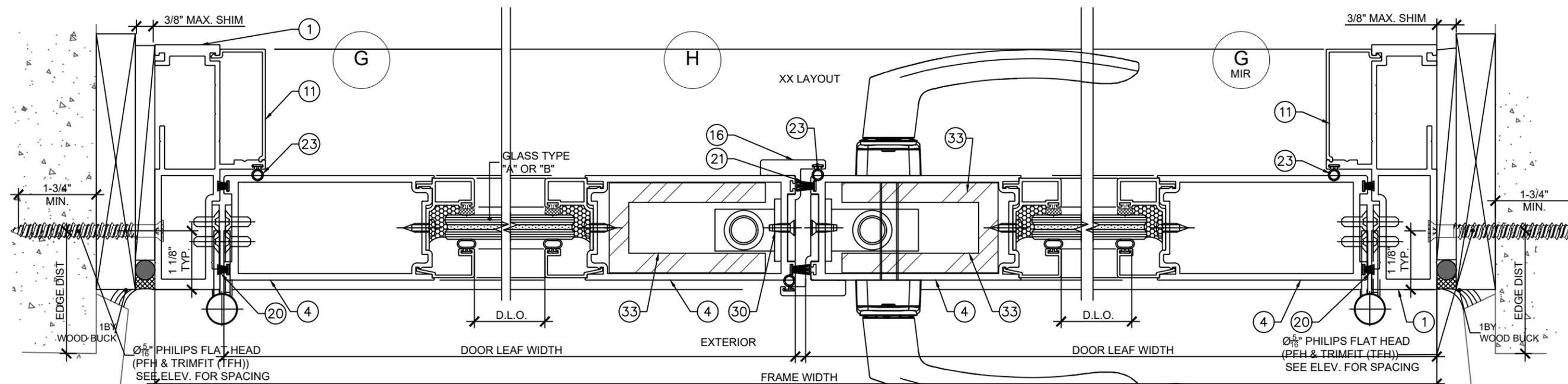
LINEA ROSSA LLC
1850 NW 84TH. AVENUE
SUITE 114, DORAL, FL 33126
PHONE: 786-930-7521
EMAIL: info@linearossadesign.com

TESTING LABORATORY:

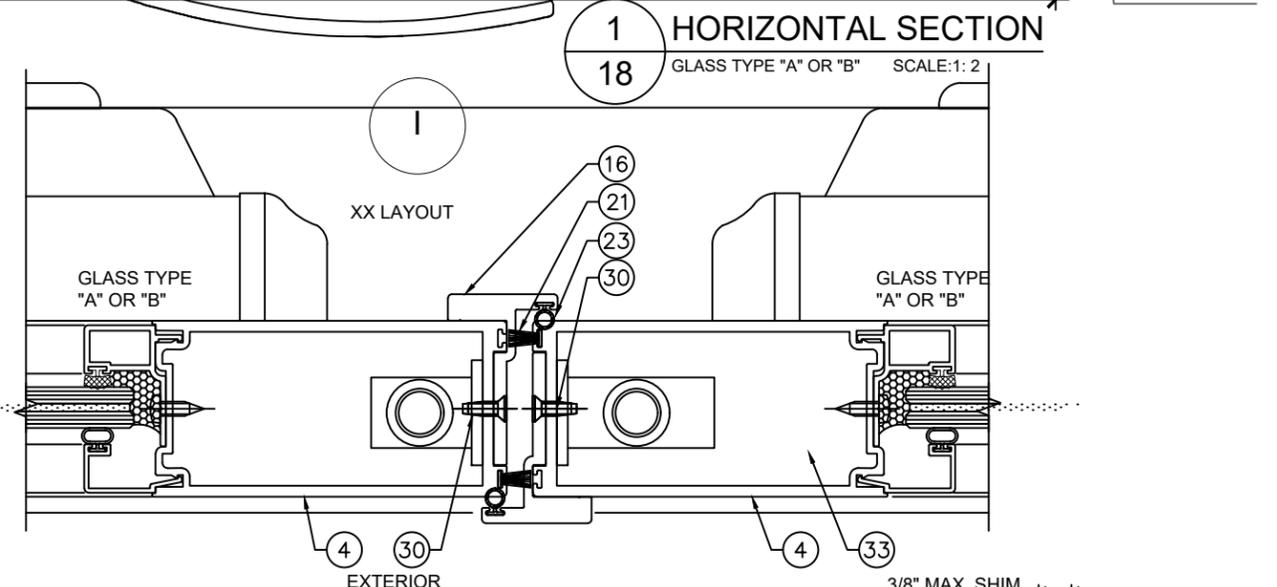
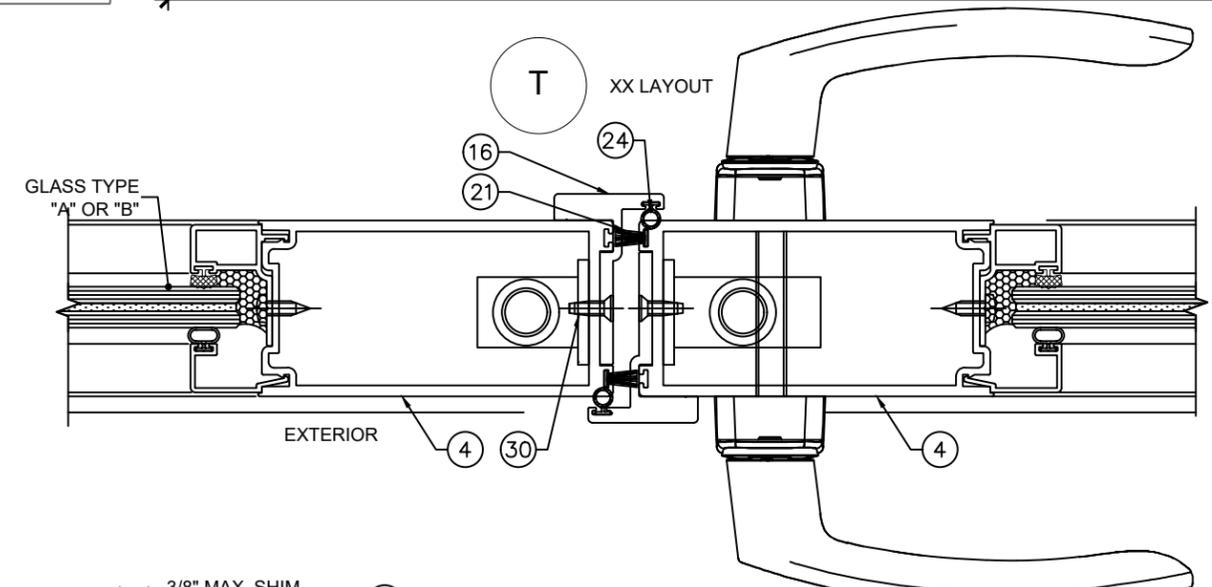
BLACKWATER TESTING INC.
7341 WESTPORT PL. SUITE 1A
WEST PALM BEACH, FL 33413
PHONE: 561.508.2830
EMAIL: Engdep@blackwatertesting.com

Date	Scale
MARCH-25-2021	as Noted

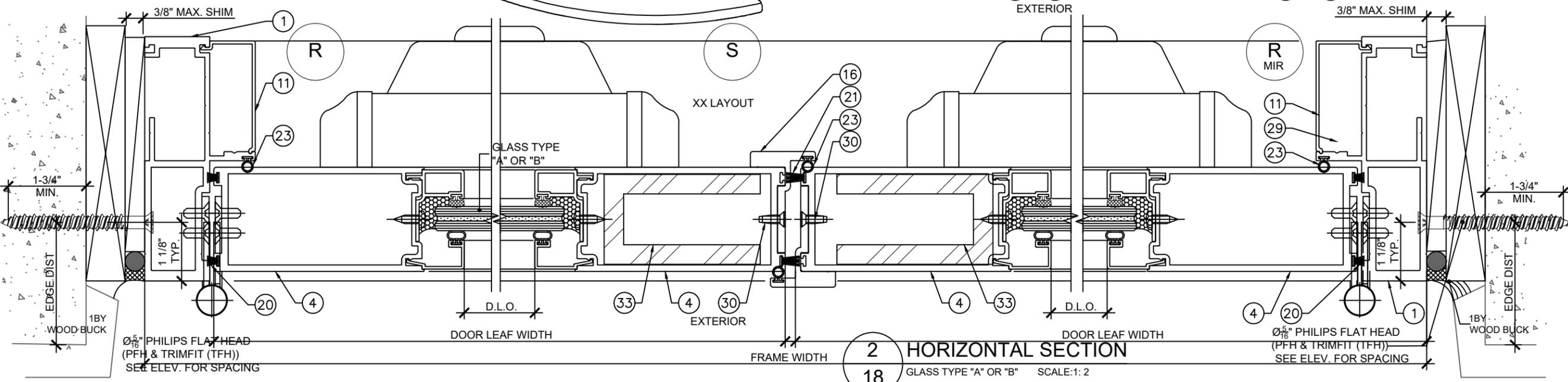
Drawing No.	SCG-02043-20.
Sheet No.	SCG- 18 OF 25



1 HORIZONTAL SECTION
GLASS TYPE "A" OR "B" SCALE:1: 2



18 HORIZONTAL SECTION
GLASS TYPE "A" OR "B" SCALE:1: 2



2 HORIZONTAL SECTION
GLASS TYPE "A" OR "B" SCALE:1: 2

PRODUCT NAME:
SERIES "LR-460"
ALUMINUM FRENCH DOOR SYSTEM -
L. M. I.

REVISIONS			
No.	DATE	BY	DESCRIPTION



OSCAR YAMIR SOUFFRONT
PROFESSIONAL ENGINEER



DATE:

FLORIDA No. 72462

SOUFFRONT CONSTRUCTION GROUP Ltd. Co.
CERTIFICATE OF AUTHORIZATION:
No. 29697
2942 SW 156th AVENUE
MIAMI, FL 33185
Phone: 786.306.9417
email:souffrontengineering@gmail.com

DRAWING TITLE:

HORIZONTAL SECTION DETAILS

MANUFACTURER:

LINEA ROSSA LLC
1850 NW 84TH. AVENUE
SUITE 114, DORAL, FL 33126
PHONE: 786-930-7521
EMAIL: info@linearossadesign.com

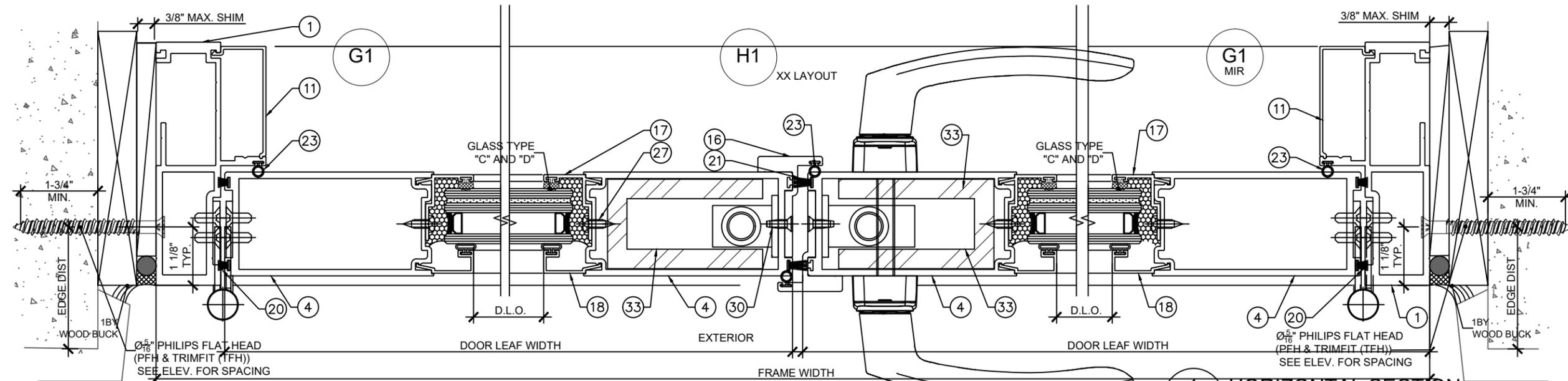
TESTING LABORATORY:

BLACKWATER TESTING INC.
7341 WESTPORT PL. SUITE 1A
WEST PALM BEACH, FL 33413
PHONE: 561.508.2830
EMAIL: Engdep@blackwatertesting.com

Date MARCH-25-2021 Scale as Noted

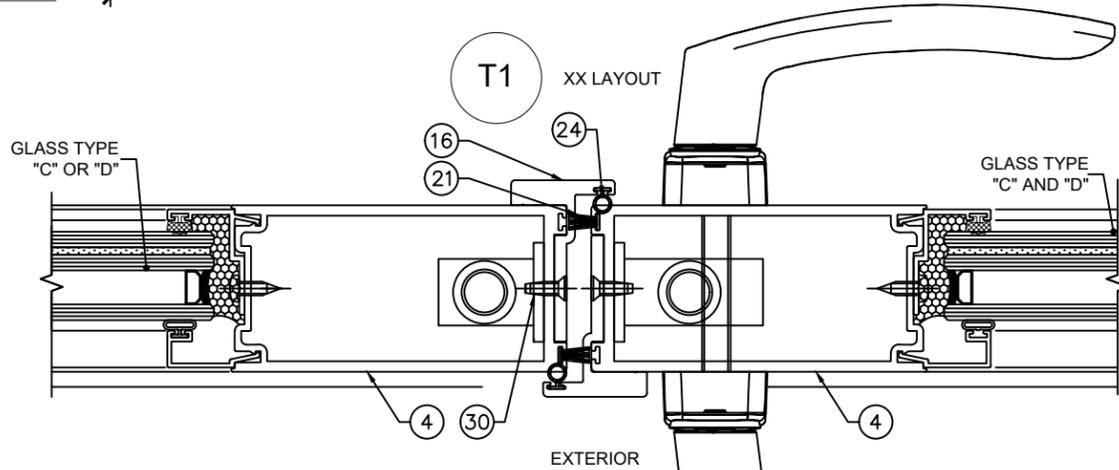
Drawing No. SCG-02043-20.

Sheet No. SCG- 19 OF 25



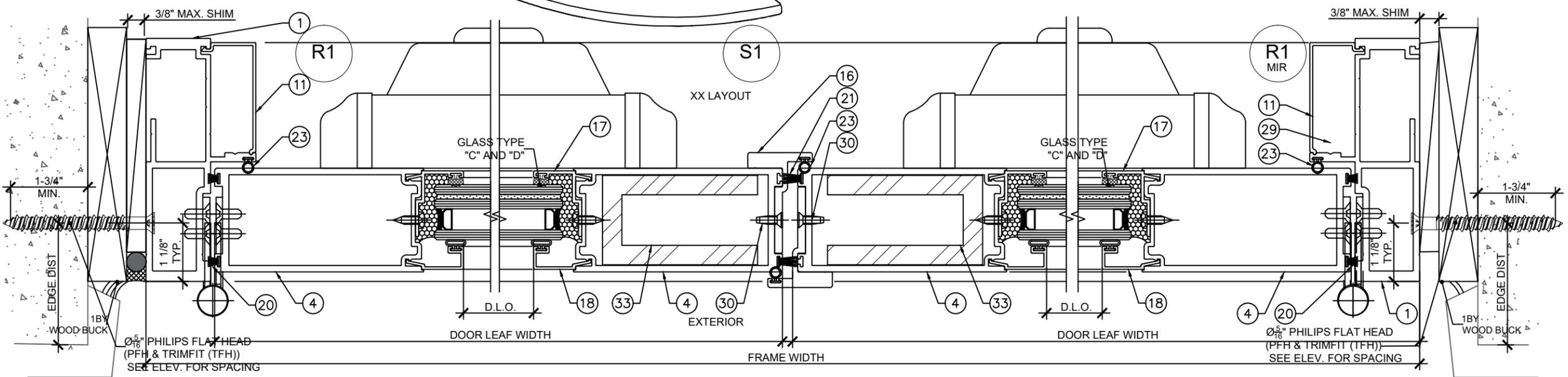
1 HORIZONTAL SECTION

GLASS TYPE "A" OR "B" SCALE:1:2



2 HORIZONTAL SECTION

GLASS TYPE "A" OR "B" SCALE:1:2



2 HORIZONTAL SECTION

GLASS TYPE "A" OR "B" SCALE:1:2

PRODUCT NAME:
SERIES "LR-460"
ALUMINUM FRENCH DOOR SYSTEM -
L. M. I.

REVISIONS			
No.	DATE	BY	DESCRIPTION



OSCAR YAMIR SOUFFRONT
PROFESSIONAL ENGINEER



DATE:

FLORIDA No. 72462

SOUFFRONT CONSTRUCTION GROUP Ltd. Co.
CERTIFICATE OF AUTHORIZATION:
No. 29697
2942 SW 156th AVENUE
MIAMI, FL 33185
Phone: 786.306.9417
email:souffrontengineering@gmail.com

DRAWING TITLE:

HORIZONTAL SECTIONS DETAILS

MANUFACTURER:

LINEA ROSSA LLC
1850 NW 84TH. AVENUE
SUITE 114, DORAL ,FL 33126
PHONE: 786-930-7521
EMAIL: info@linearossadesign.com

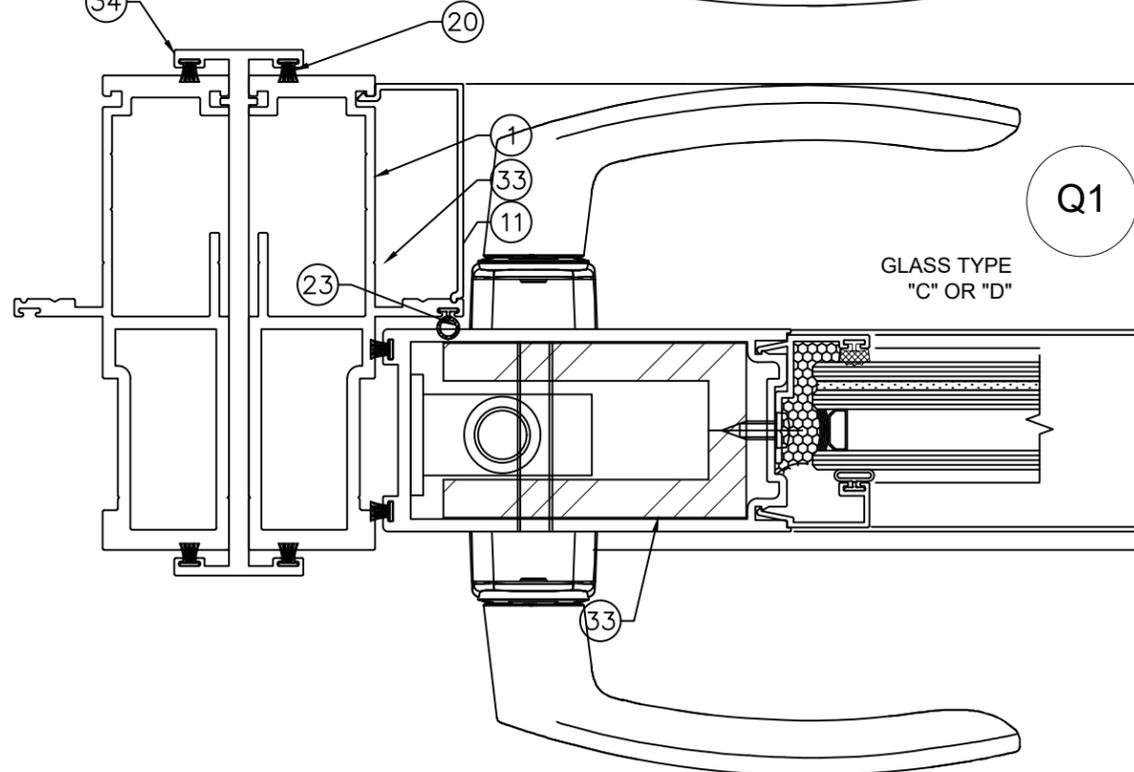
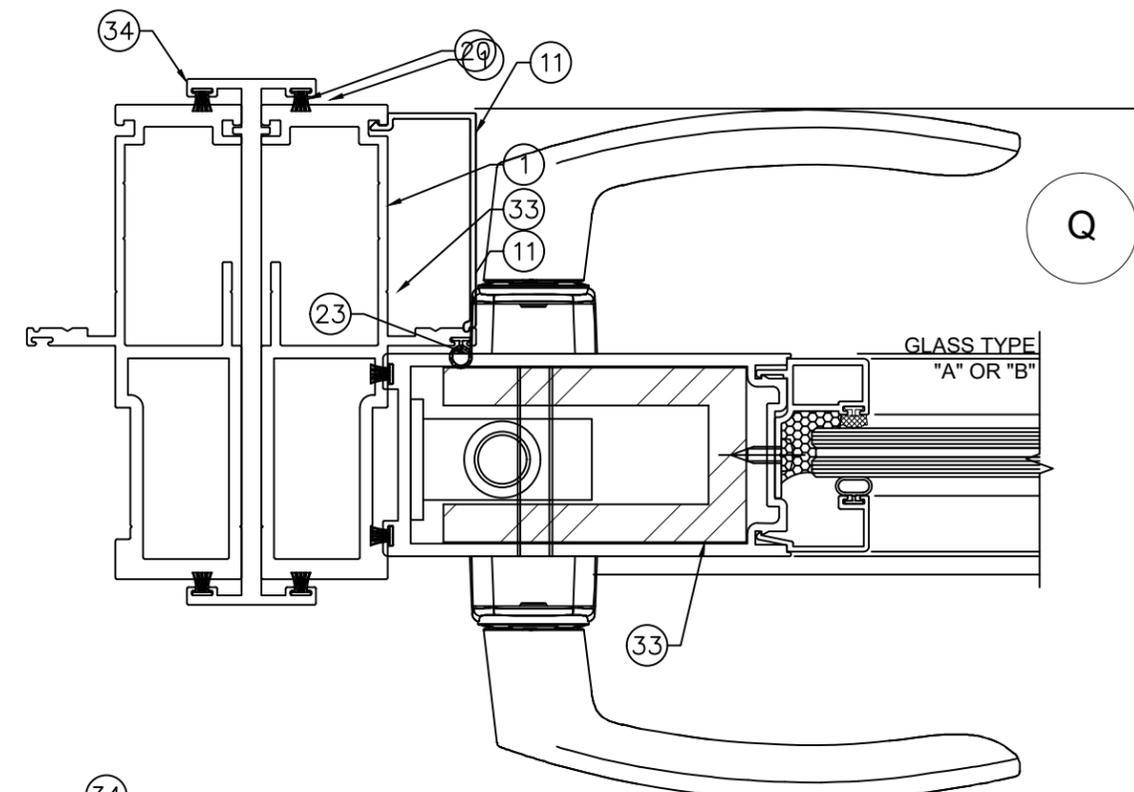
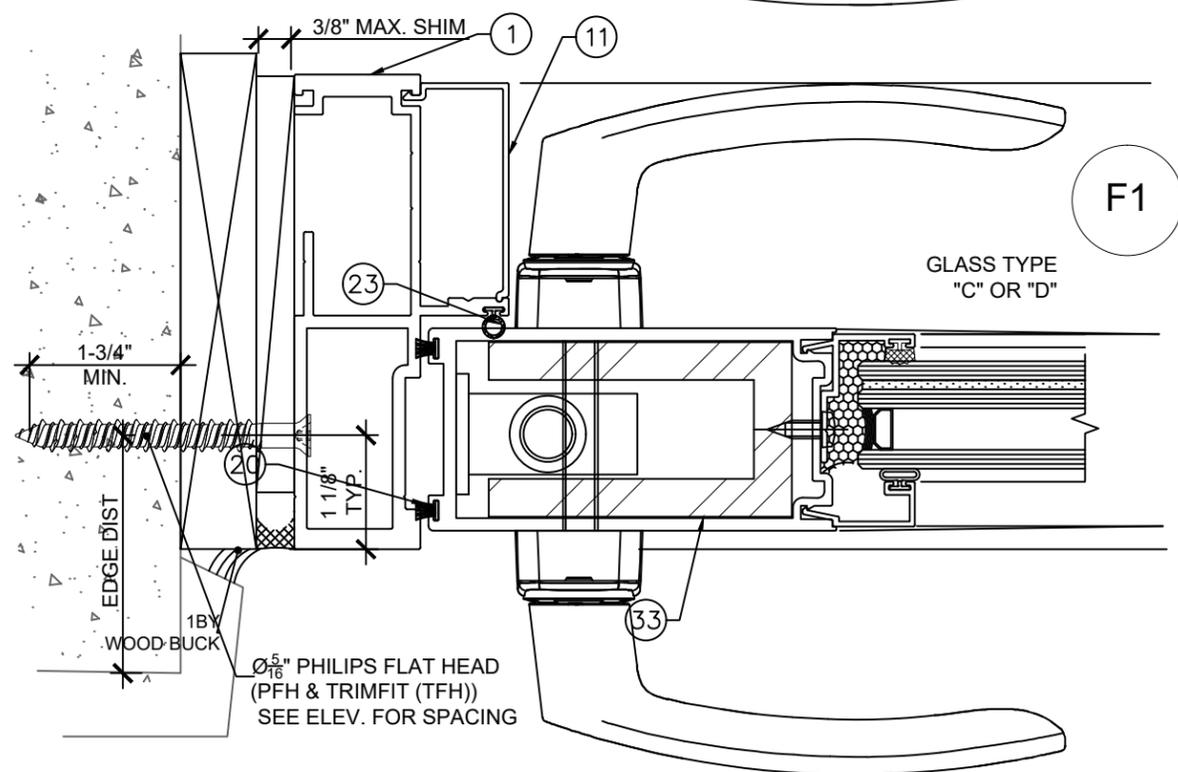
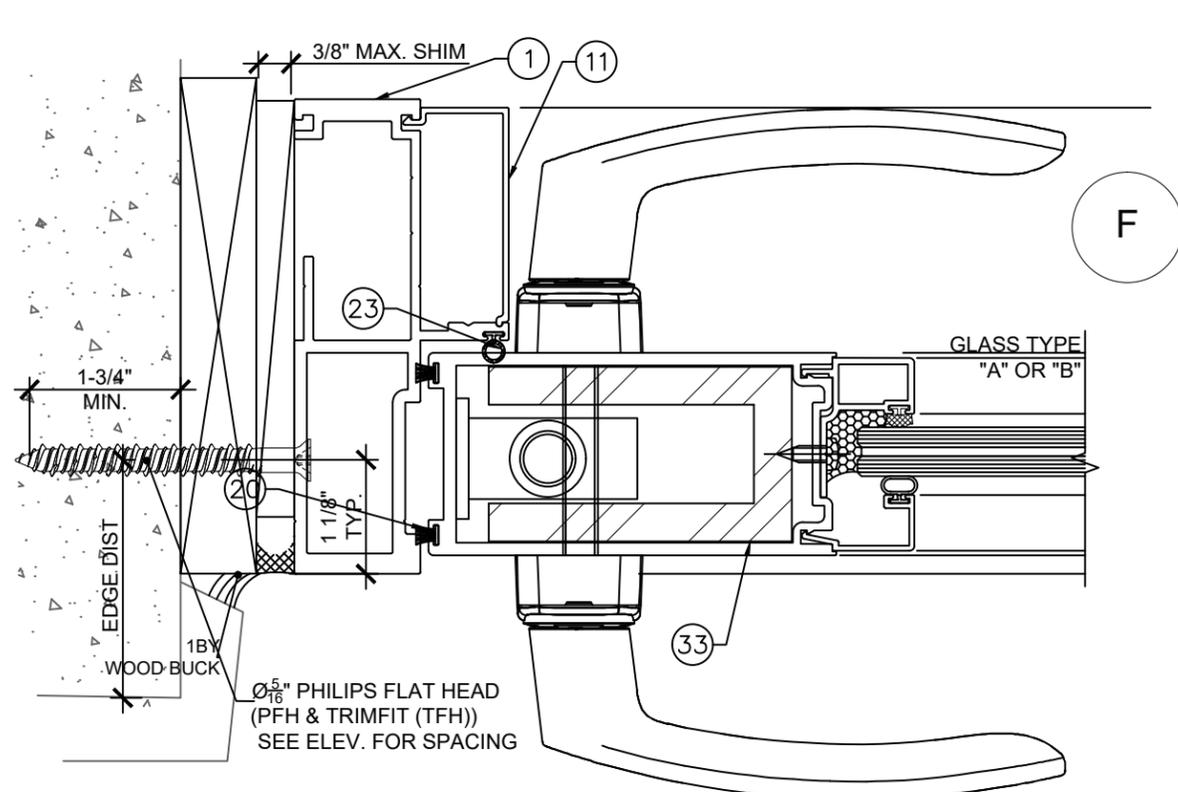
TESTING LABORATORY:

BLACKWATER TESTING INC.
7341 WESTPORT PL. SUITE 1A
WEST PALM BEACH, FL 33413
PHONE: 561.508.2830
EMAIL: Engdep@blackwatertesting.com

Date	Scale
MARCH-25-2021	as Noted

Drawing No.	SCG-02043-20.
-------------	---------------

Sheet No.	SCG- 20 OF 25
-----------	---------------



PRODUCT NAME:
SERIES "LR-460"
ALUMINUM FRENCH DOOR SYSTEM -
L. M. I.

REVISIONS			
No.	DATE	BY	DESCRIPTION



OSCAR YAMIR SOUFFRONT
PROFESSIONAL ENGINEER



DATE:

FLORIDA No. 72462

SOUFFRONT CONSTRUCTION GROUP Ltd. Co.
CERTIFICATE OF AUTHORIZATION:
No. 29697
2942 SW 156th AVENUE
MIAMI, FL 33185.
Phone: 786.306.9417
email:souffrontengineering@gmail.com

DRAWING TITLE:

CONNECTION TO ANOTHER SUBSTRATE

MANUFACTURER:

LINEA ROSSA LLC
1850 NW 84TH. AVENUE
SUITE 114, DORAL, FL 33126
PHONE: 786-930-7521
EMAIL: info@linearossadesign.com

TESTING LABORATORY:

BLACKWATER TESTING INC.
7341 WESTPORT PL. SUITE 1A
WEST PALM BEACH, FL 33413
PHONE: 561.508.2830
EMAIL: Engdep@blackwatertesting.com

Date	Scale
MARCH-25-2021	as Noted

Drawing No. SCG-02043-20.

Sheet No. SCG- 21 OF 25

TABLE # 1

TYPICAL ANCHORS: SEE ELEV. FOR SPACING

TYPE A:
5/16" DIA. DEWALT ULTRACON (Fu=177 KSI, Fy=155 KSI)
INTO 2 BY WOOD BUCKS OR WOOD STRUCTURES.
1 1/2" MIN. PENETRATION INTO WOOD (HEAD/ SILL/ JAMBS)

THRU 1 BY BUCKS INTO CONCRETE OR BLOCKS
1 3/4" MIN. EMBED IN TO CONCRETE (HEAD/ SILL/ JAMBS)
1 1/4" MIN. EMBED IN TO BLOCKS (JAMBS)

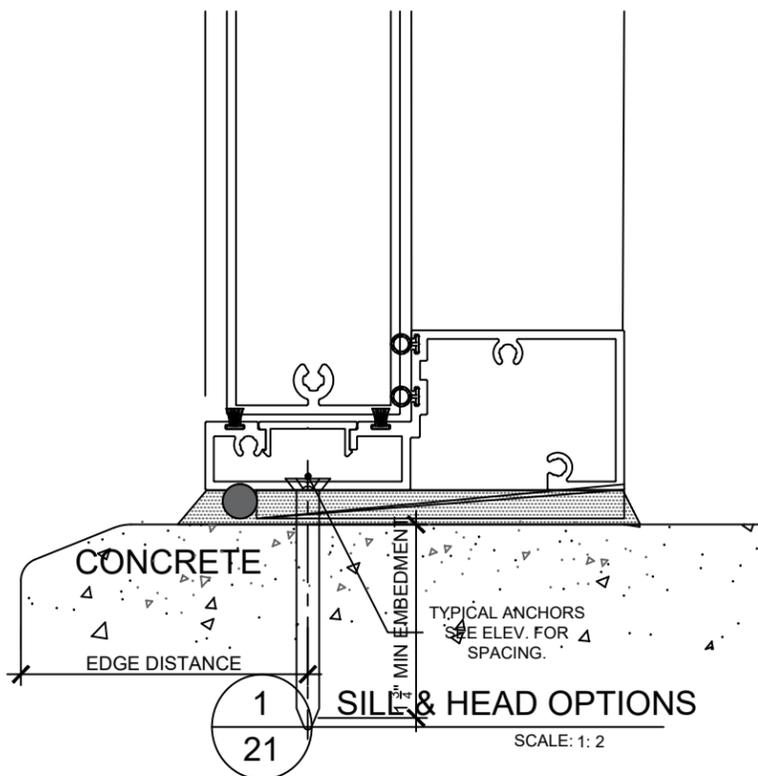
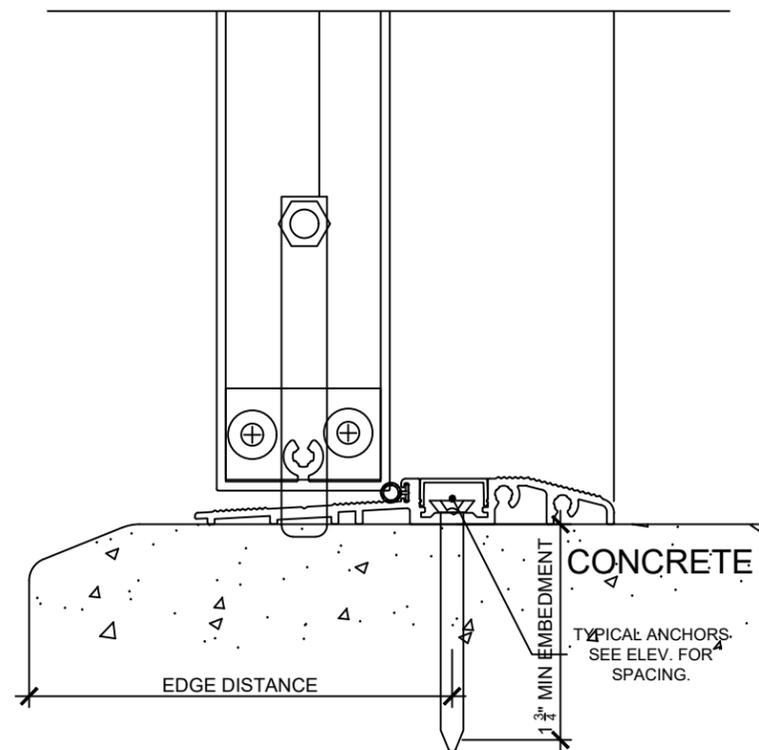
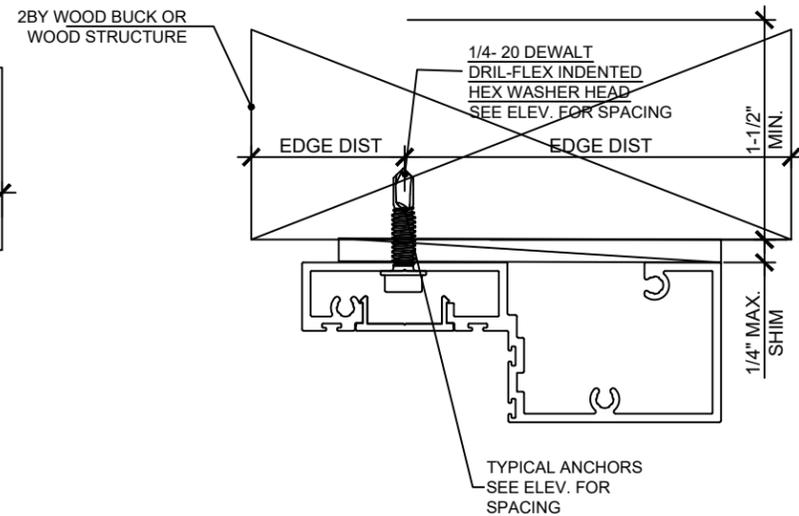
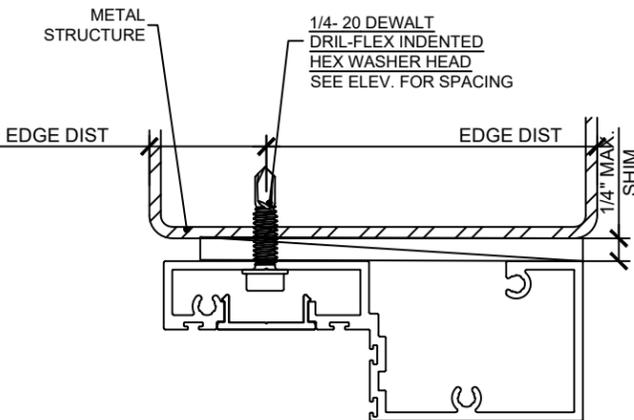
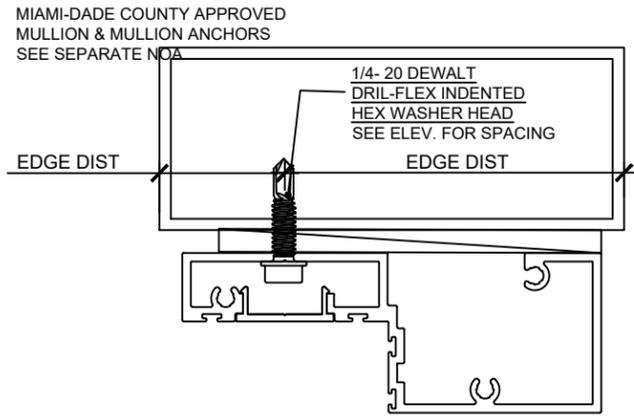
DIRECTLY INTO CONCRETE OR BLOCKS
1 3/4" MIN. EMBED IN TO CONCRETE (HEAD/ SILL/ JAMBS)
1 1/4" MIN. EMBED IN TO BLOCKS (JAMBS)

TYPE B
1/4- 20 DEWALT DRIL-FLEX INDENTED HEX WASHER HEAD
(GRADE 5 CRS)
INTO F.B.C. APPROVED MULLIONS
OR
IN TO METAL STRUCTURES (HEAD/ SILL/ JAMBS)
(3) THREADS MIN. TO EXTEND BEYOND METAL THICKNESS
ALUMINUM: 3/8" THK. MIN. (6063-T5 MIN.)
STEEL: 1/8" THK. MIN. (Fy=36 KSI MIN.)
(STEEL IN CONTACT WITH ALUMINUM TO BE PLATED OR PAINTED)

CRITICAL EDGE DISTANCE:
INTO CONCRETE AND BLOCKS = 2 1/2" MIN.
INTO WOOD STRUCTURE = 1" MIN.
INTO METAL STRUCTURE = 3/4" MIN.

WOOD AT HEAD, SILL OR JAMBS SG = 0.55 MIN.
CONCRETE AT HEAD, SILL OR JAMBS fc = 3000 PSI MIN.
C-90 HOLLOW/FILLED BLOCK AT JAMBS fm = 2000 PSI MIN.

WOOD BUCKS AND METAL STRUCTURE NOT BY MANUFACTURER
MUST SUSTAIN LOADS IMPOSED BY GLAZING SYSTEM AND
TRANSFER THEM TO THE BUILDING STRUCTURE.

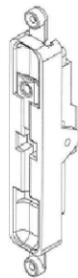


SCALE: 1: 2

ANCHOR NOTES:

- FOR CONCRETE/CMU SUBSTRATE APPLICATIONS IN MIAMI-DADE COUNTY, USE ONLY MIAMI-DADE COUNTY APPROVED ELCO ANCHORS. SEE TABLE 1 ON THIS SHEET FOR EMBEDMENT, EDGE DISTANCE AND SUBSTRATE REQUIREMENTS.
- FOR SUBSTRATE APPLICATIONS SEE TABLE 1 ON THIS SHEET.
- WOOD BUCKS DEPICTED AS 1X ARE LESS THAN 1-1/2" THICK. PROPERLY SECURED, 1X WOOD BUCKS ARE OPTIONAL IF UNIT IS INSTALLED DIRECTLY TO SOLID CONCRETE OR CMU. WOOD BUCKS DEPICTED AS 2X ARE 1-1/2" THICK OR GREATER. 1X AND 2X BUCKS (WHEN USED) SHALL BE DESIGNED TO PROPERLY TRANSFER LOADS TO THE STRUCTURE. BUCK DESIGN AND INSTALLATION IS THE RESPONSIBILITY OF THE ENGINEER OR ARCHITECT OF RECORD & TO BE REVIEWED BY THE BUILDING OFFICIAL.
- SHIMS ARE REQUIRED AT EACH ANCHOR LOCATION WHERE THE PRODUCT IS NOT FLUSH TO THE SUBSTRATE. USE SHIMS CAPABLE OF TRANSFERRING APPLIED LOADS. WOOD BUCKS, BY OTHERS, MUST BE SUFFICIENTLY ANCHORED TO RESIST LOADS IMPOSED ON THEM BY THE WINDOW.
- METAL SUBSTRATE TO MEET MIN. STRENGTH AND THICKNESS REQUIREMENTS PER THE FBC AND TO BE REVIEWED BY THE AUTHORITY HAVING JURISDICTION.
- IF SILL IS TIGHT TO SUBSTRATE, GROUT OR OTHER MATERIAL IS NOT REQUIRED. IF USED, NON-SHRINK, NON-METALLIC GROUT, MAX. 1/4" THICK & 3400 PSI MIN., (DONE BY OTHERS) MUST FULLY SUPPORT THE ENTIRE LENGTH OF THE SILL THAT IS NOT TIGHT TO THE SUBSTRATE, AND TRANSFER SHEAR LOAD TO SUBSTRATE. IF SUBSTRATE IS WOOD, 30# FELT PAPER OR MASTIC IS REQUIRED BETWEEN THE GROUT AND WOOD SUBSTRATE, OR AS APPROVED BY THE AUTHORITY HAVING JURISDICTION.

PRODUCT CODE: B6270050
PRODUCT NAME: PASSIVE SASH LOCKING KIT
MATERIAL: ZAMAK



Functions

THE MECHANISM THAT ABLE TO MOVE THE PIN TO LOCK PASSIVE SASHES AT THE TOP AND BOTTOM.
PASSIVE SASH PROVIDES MAX. TIGHTNESS BY THIS MECHANISM

Color
BLACK

Box Qty.
10 PCS.

TECHNICAL SPECS.

LR460-04 provides locking by moving with the shaft bars B7850002 and B7850003.

MATERIALS
ZAMAK

PRODUCT CODE: B7438202
PRODUCT NAME: DOOR HANDLE
MATERIAL: NICKEL

LINEA ROSSA®



Functions

The item SIRIUS DOOR HANDLE has been subjected to internal tests according to the standards:

UNE-EN 1906. Hardware for building.
Door handles and knobs. Requirements and Test methods.
Obtained: Grade 2 (100,000 cycles).

UNE-EN 1670. Hardware for building.
Resistance to corrosion. Requirements and methods of testing.
Obtained: Grade 4 (240 h).

The classification according to the UNE-EN 1906 standard is The next:

Color
NICKEL

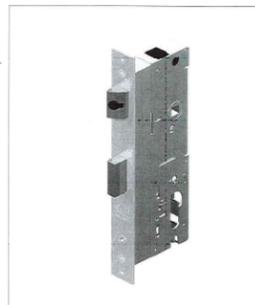
Box Qty.
1 PCS.

Materials

- Aluminium handle
- Cover, shield and transmission in zamak.
- Stainless steel screws.

PRODUCT CODE: B7380001
PRODUCT NAME: MULTI POINT LOCK
MATERIAL: ZAMAK

LINEA ROSSA®



Functions

The Optimum Martice Lock offers a new and improved locking system
When deadlocked, the Optimum
-Point provides increased security with up to four points of locking.
-Features four points of locking including the latch, deadball and
Sequencing of locking points can be in any order (can be locked with or without stroke/bolts thrown)
-When used with the correct strike the lock generates optimum seal compression to provide improved water and air seal performance, especially for large panel doors
-The handling of the lockset is adjusted by reversing the orientation of the latch bolt.

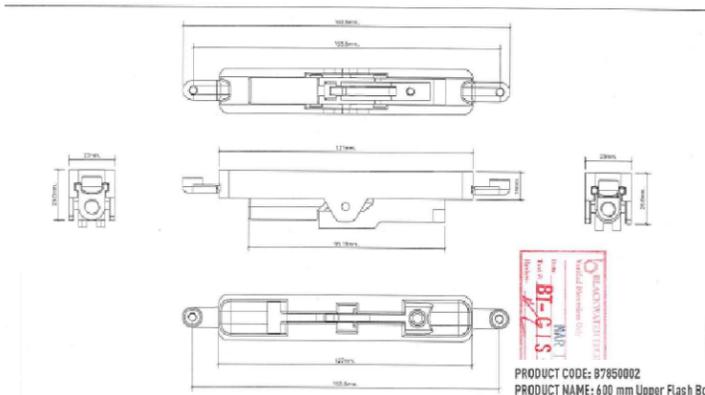
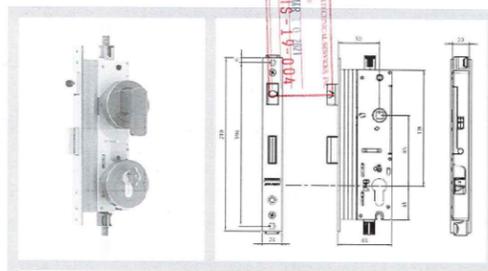
Options

Available with 30 mm, 40 mm or 50 mm backset

Short Throw 4-Point
Long Throw 4-Point

Color
BLACK

Box Qty.
1 PCS.



PRODUCT CODE: B7850002
PRODUCT NAME: 600 mm Upper Flash Bolts
MATERIAL: Chromium

Functions

Shafts that help lock the passive and active wings to the upper and lower case.

Color
Chromium

Box Qty.
10 PCS.

TECHNICAL SPECS.

B6270050 PASSIVE WING LOCK AND B7380001 multi-point latch lock inside the LR460-04 profile, and locking rod to the upper and lower case.

PRODUCT CODE: B7850003
PRODUCT NAME: 1100 mm Lower Flash Bolts
MATERIAL: Chromium

Functions

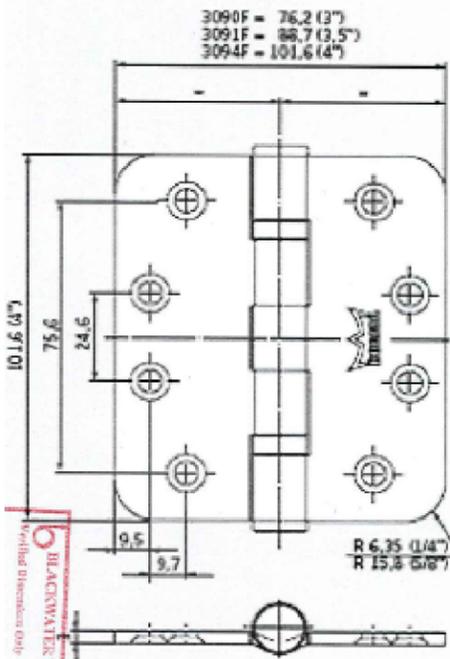
Shafts that help lock the passive and active wings to the upper and lower case

Color
Chromium

Box Qty.
10 PCS.

TECHNICAL SPECS.

B6270050 passive wing lock and B7380001 multi-point lock inside the LR460-04 profile and the locking rod to the upper and lower case.



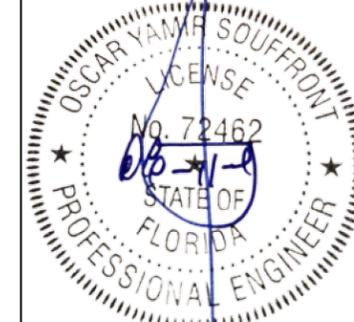
ITEM	PART #	PICTURE	DESCRIPTION	MATERIAL	MANF./SUPPLIER/REMARKS
1	LR460-01		FRAME JAMB PROFILE	6063-T6	LINEA ROSSA
2	LR460-02		TRANSOM / FRAME PROFILE	6063-T6	LINEA ROSSA
3	LR460-03		DOOR-SIDELITE FRAME HEAD SILL TRANSOM MULLION	6063-T6	LINEA ROSSA
4	LR460-04		HINGE / LOCK STILE PROFILE	6063-T6	LINEA ROSSA
5	LR460-05		BOTTOM RAIL PROFILE	6063-T6	LINEA ROSSA
6	LR460-06		TOP / BOTTOM RAIL PROFILE	6063-T6	LINEA ROSSA
7	LR460-07		CHAIR RAIL PROFILE	6063-T6	LINEA ROSSA
8	LR460-08		SIDELITE SASH STILE PROFILE	6063-T6	LINEA ROSSA
9	LR220-14		EXTERIOR GLASS STOP	6063-T6	LINEA ROSSA
10	LR460-21		INTERIOR GLASS STOP	6063-T6	LINEA ROSSA
11	LR460-11		SCREW COVER PROFILE	6063-T6	LINEA ROSSA
12	LR460-12		DOOR-JAMB MULL ADAPTER	6063-T6	LINEA ROSSA
13	LR460-13		SNAP COVER	6063-T6	LINEA ROSSA
14	LR460-14		ADA THRESHOLD	6063-T6	LINEA ROSSA
15	LR460-15		DOOR TRANSOM MULLION ADAPTER	6063-T6	LINEA ROSSA
16	LR460-16		DOUBLE DOOR ASTRAGAL	6063-T6	LINEA ROSSA
17	LR460-17		INTERIOR GLASS STOP	6063-T6	LINEA ROSSA
18	LR220-19		EXTERIOR GLASS STOP	6063-T6	LINEA ROSSA
19	2800-41		THRESHOLD COVER	6063-T6	LINEA ROSSA
20	B4711010		FIN-SEAL PILE W/STRIPPING	-	LINEA ROSSA
21	B4711009		FIN-SEAL PILE W/STRIPPING	-	LINEA ROSSA
22	B4510090		INTERIOR GLAZING GASKET	EPDM	LINEA ROSSA
23	B4510092		EXTERIOR GLAZING FRAME GASKET	EPDM	LINEA ROSSA
24	#3		12 x 1/2"	ST. STEEL	-
25	#4		8 x 1/2"	ST. STEEL	-
26	#5		12 x 2"	ST. STEEL	-
27	#6		12 x 1-1/4"	ST. STEEL	-
28	#7		8 x 1/2"	ST. STEEL	-
29	B2610461		90° WING CORNER WIDE JOINTS	ST. STEEL - PVC	LINEA ROSSA
30	B2610460		90° WING CORNER NARROW JOINTS	ST. STEEL - PVC	LINEA ROSSA
31	#8		x 6 3/16"	ST. STEEL	-
32	LR460-20		MULLION	6063-T6	LINEA ROSSA
33	LR460-22		ALUMINUM REINFORCEMENT	6063-T6	LINEA ROSSA

PRODUCT NAME:
SERIES "LR-460"
ALUMINUM FRENCH DOOR SYSTEM -
L. M. I.

REVISIONS			
No.	DATE	BY	DESCRIPTION



OSCAR YAMIR SOUFFRONT
PROFESSIONAL ENGINEER



DATE:

FLORIDA No. 72462

SOUFFRONT CONSTRUCTION GROUP Ltd. Co.
CERTIFICATE OF AUTHORIZATION:
No. 29697
2942 SW 156th AVENUE
MIAMI, FL 33185.
Phone: 786.306.9417
email:souffrontengineering@gmail.com

DRAWING TITLE:

BILL OF MATERIAL
AND
HARDWARE

MANUFACTURER:

LINEA ROSSA LLC
1850 NW 84TH. AVENUE
SUITE 114, DORAL, FL 33126
PHONE: 786-930-7521
EMAIL: info@linearrossadesign.com

TESTING LABORATORY:

BLACKWATER TESTING INC.
7341 WESTPORT PL. SUITE 1A
WEST PALM BEACH, FL 33413
PHONE: 561.508.2830
EMAIL: Engdep@blackwatertesting.com

Date	Scale
MARCH-25-2021	as Noted

Drawing No.	SCG-02043-20.
-------------	---------------

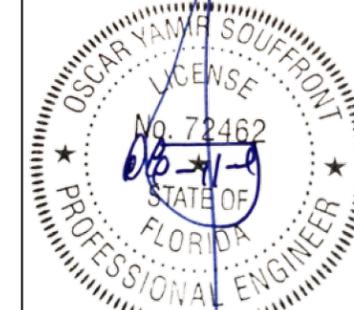
Sheet No.	SCG- 22 OF 25
-----------	---------------

PRODUCT NAME:
SERIES "LR-460"
ALUMINUM FRENCH DOOR SYSTEM -
L. M. I.

REVISIONS			
No.	DATE	BY	DESCRIPTION



OSCAR YAMIR SOUFFRONT
PROFESSIONAL ENGINEER



DATE:

FLORIDA No. 72462

SOUFFRONT CONSTRUCTION GROUP Ltd. Co.
CERTIFICATE OF AUTHORIZATION:
No. 29697
2942 SW 156th AVENUE
MIAMI, FL 33185.
Phone: 786.306.9417
email:souffrontengineering@gmail.com

DRAWING TITLE:

PROFILES AND BILL OF MATERIALS

MANUFACTURER:

LINEA ROSSA LLC
1850 NW 84TH. AVENUE
SUITE 114, DORAL, FL 33126
PHONE: 786-930-7521
EMAIL: info@linearossadesign.com

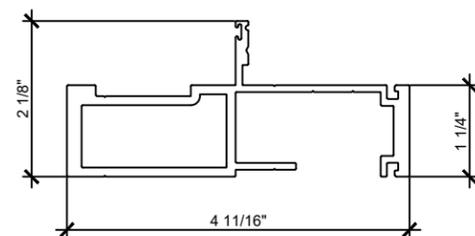
TESTING LABORATORY:

BLACKWATER TESTING INC.
7341 WESTPORT PL. SUITE 1A
WEST PALM BEACH, FL 33413
PHONE: 561.508.2830
EMAIL: Engdep@blackwatertesting.com

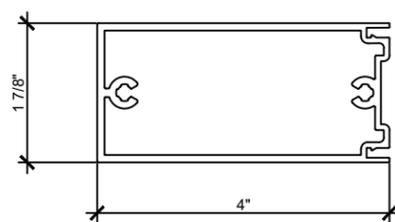
Date	Scale
MARCH-25-2021	as Noted

Drawing No.	SCG-02043-20.
-------------	---------------

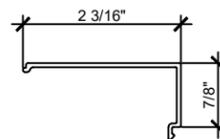
Sheet No.	SCG-23 OF 25
-----------	--------------



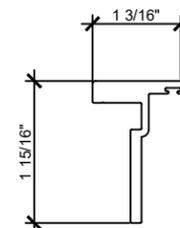
1 LR460-01



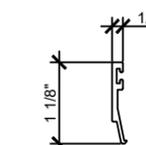
6 LR460-06



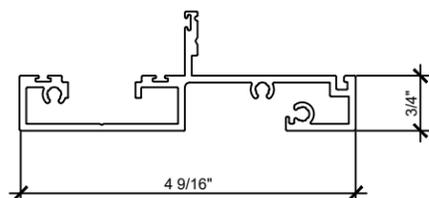
11 LR460-11



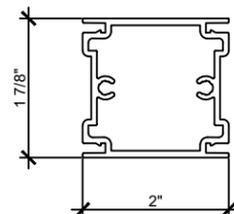
16 LR460-16



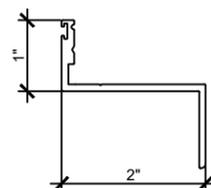
23 5000-08



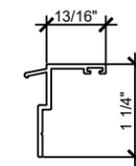
2 LR460-02



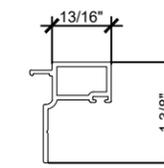
7 LR460-07



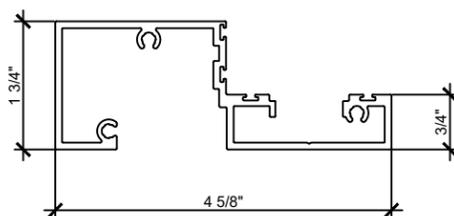
12 LR460-12



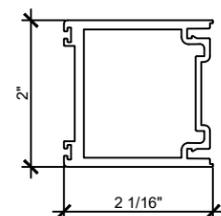
17 LR460-17



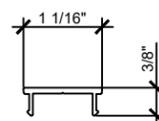
24 LR460-21



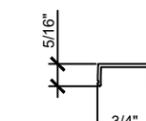
3 LR460-03



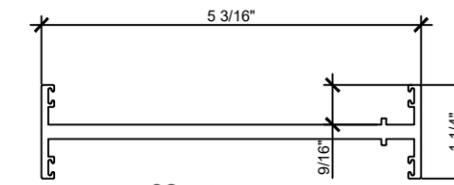
8 LR460-08



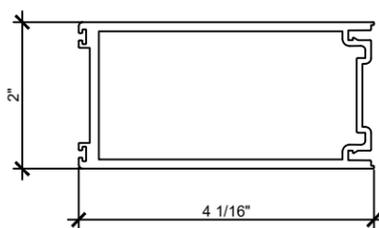
13 LR460-13



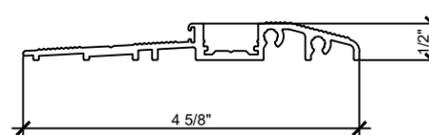
19 28041



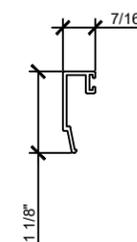
32 LR460-20



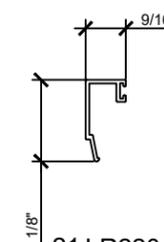
4 LR460-04



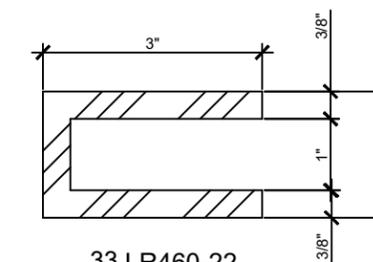
14 LR460-14



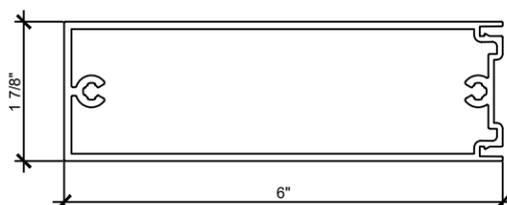
18 LR220-19



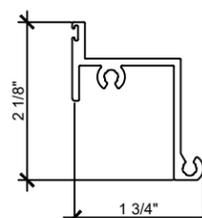
21 LR220-14



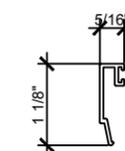
33 LR460-22



5 LR460-05



15 LR460-15



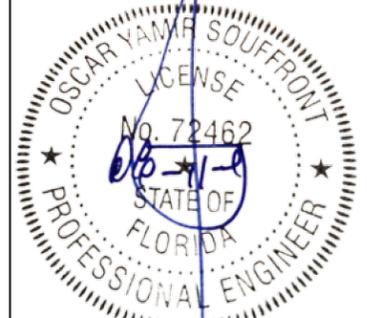
22 LR220-18

PRODUCT NAME:
SERIES "LR-460"
ALUMINUM FRENCH DOOR SYSTEM -
L. M. I.

REVISIONS			
No.	DATE	BY	DESCRIPTION



OSCAR YAMIR SOUFFRONT
PROFESSIONAL ENGINEER



DATE:

FLORIDA No. 72462

SOUFFRONT CONSTRUCTION GROUP Ltd. Co.
CERTIFICATE OF AUTHORIZATION:
No. 29697
2942 SW 156th AVENUE
MIAMI, FL 33185
Phone: 786.306.9417
email:souffrontengineering@gmail.com

DRAWING TITLE:

CORNER CONNECTION

MANUFACTURER:

LINEA ROSSA LLC
1850 NW 84TH. AVENUE
SUITE 114, DORAL, FL 33126
PHONE: 786-930-7521
EMAIL: info@linearossadesign.com

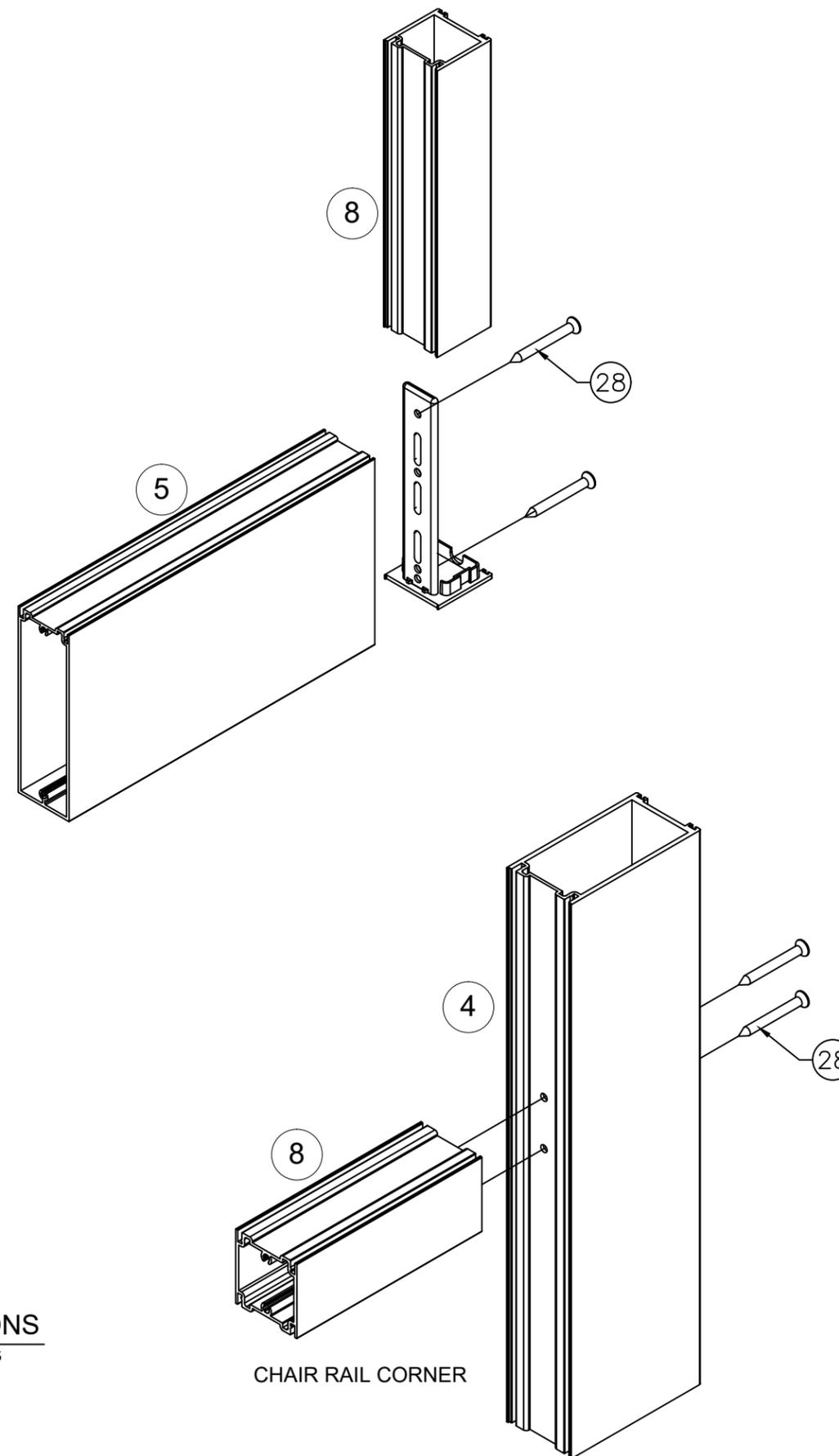
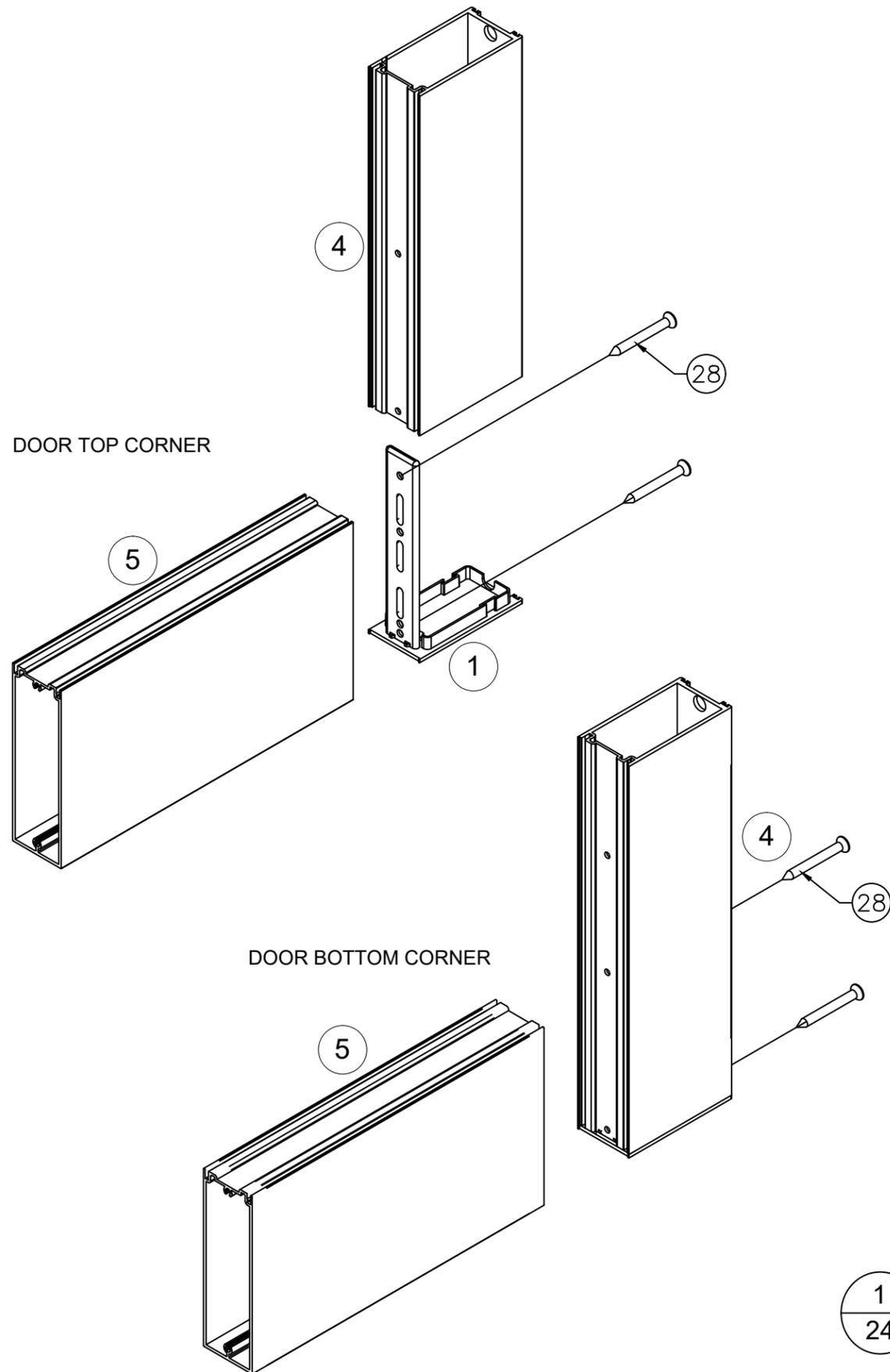
TESTING LABORATORY:

BLACKWATER TESTING INC.
7341 WESTPORT PL. SUITE 1A
WEST PALM BEACH, FL 33413
PHONE: 561.508.2830
EMAIL: Engdep@blackwatertesting.com

Date	Scale
MARCH-25-2021	as Noted

Drawing No.	SCG-02043-20.
-------------	---------------

Sheet No.	SCG-24 OF 25
-----------	--------------



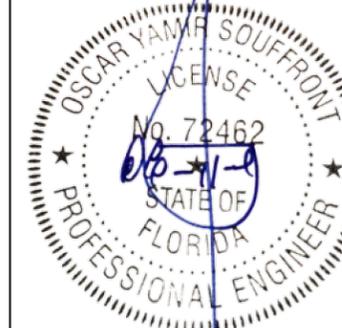
1 CONEXIONS
24 SCALE: 1:25

PRODUCT NAME:
SERIES "LR-460"
ALUMINUM FRENCH DOOR SYSTEM -
L. M. I.

REVISIONS			
No.	DATE	BY	DESCRIPTION



OSCAR YAMIR SOUFFRONT
PROFESSIONAL ENGINEER



DATE:

FLORIDA No. 72462

SOUFFRONT CONSTRUCTION GROUP Ltd. Co.
CERTIFICATE OF AUTHORIZATION:
No. 29697
2942 SW 156th AVENUE
MIAMI, FL 33185
Phone: 786.306.9417
email:souffrontengineering@gmail.com

DRAWING TITLE:

CORNER CONNECTION

MANUFACTURER:

LINEA ROSSA LLC
1850 NW 84TH. AVENUE
SUITE 114, DORAL, FL 33126
PHONE: 786-930-7521
EMAIL: info@linearossadesign.com

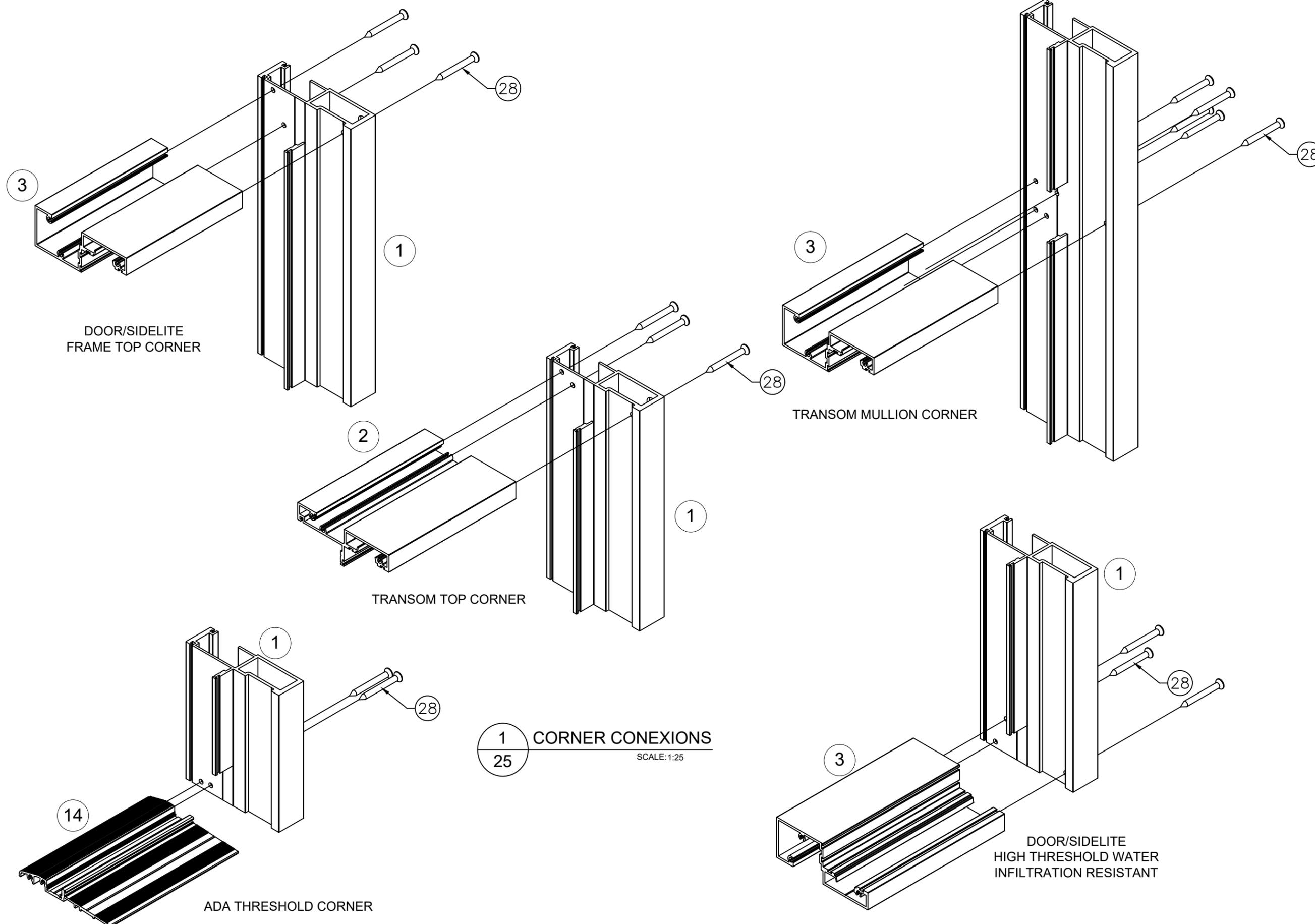
TESTING LABORATORY:

BLACKWATER TESTING INC.
7341 WESTPORT PL. SUITE 1A
WEST PALM BEACH, FL 33413
PHONE: 561.508.2830
EMAIL: Engdep@blackwatertesting.com

Date	Scale
MARCH-25-2021	as Noted

Drawing No.	SCG-02043-20.
-------------	---------------

Sheet No.	SCG-25 OF 25
-----------	--------------



1 CORNER CONEXIONS
SCALE: 1:25

DOOR/SIDELITE
HIGH THRESHOLD WATER
INFILTRATION RESISTANT