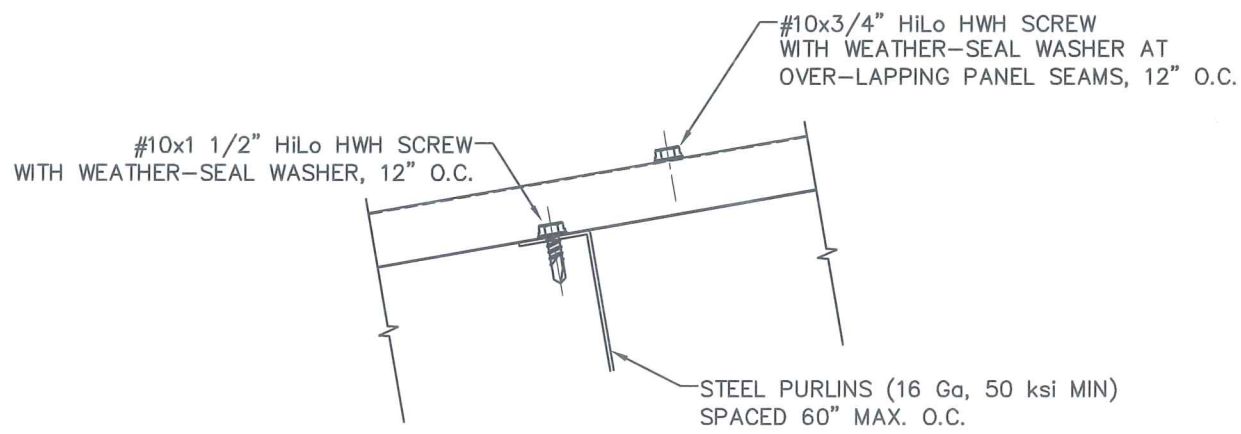
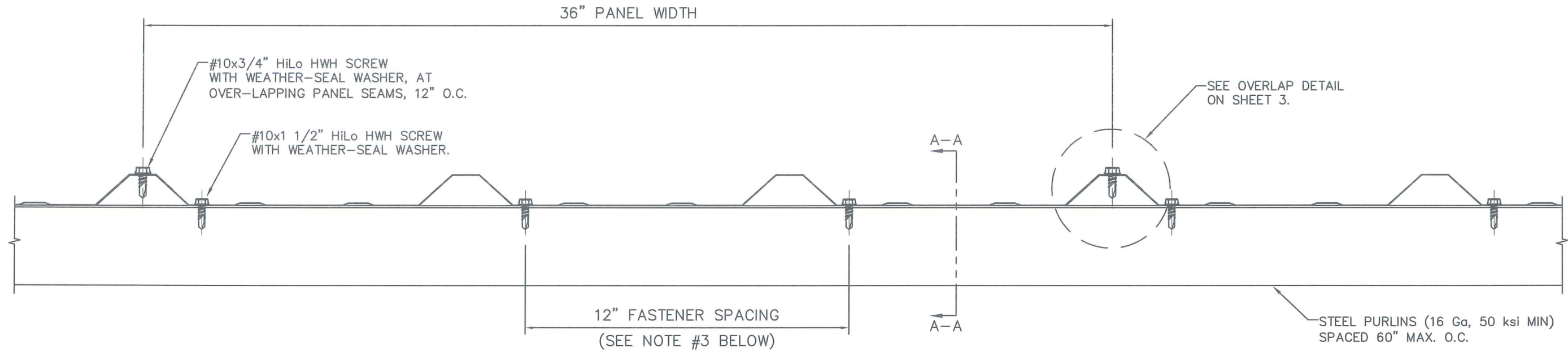


1ST COAST 24 Ga. STEEL PBR ROOF PANEL - HVHZ

36" RIBBED ROOF PANEL INSTALLED DIRECTLY OVER STEEL PURLINS
OR INSTALLED OVER EXISTING PBR PANEL OVER STEEL PURLINS

FIELD INSTALLATION

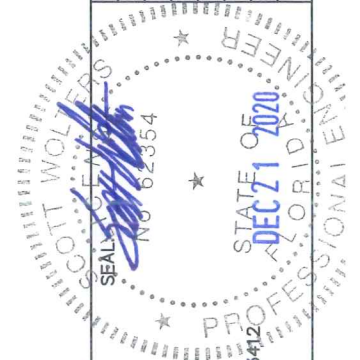


SECTION A-A

MAX UPLIFT PRESSURE
62.5 Psf

GENERAL NOTES:

- PBR PANEL MAY BE INSTALLED DIRECTLY TO STEEL PURLINS, OR INSTALLED OVER EXISTING PBR PANELS.
- IF INSTALLED OVER EXISTING PANELS, THE EXISTING SCREWS AND ANY DEBRIS MUST BE REMOVED FROM THE EXISTING ROOF. ANY CORROSION IN THE EXISTING ROOF MUST BE TREATED WITH A RUST INHIBITOR PER FBC 1521.8.
- AT PANEL BUTT JOINTS, PANELS ARE OVERLAPPED 2", SEALED WITH BUTYL TAPE, AND FASTENED WITH #10x1 1/2" HILO HWH SCREWS 3" O.C.
- ROOF SLOPE IS LIMITED PER THE REQUIREMENTS OF FBC SECTION 1507.4.2.
- FLASHING AND TRIM TO BE INSTALLED PER THE MANUFACTURER'S STANDARD INSTALLATION DETAILS, TO MEET THE REQUIREMENTS OF FBC SECTION 1503.



SCOTT WALTERS
FL PE# 62354
WALTERS ENGINEERING
(COA# 27194)
15211 97TH ROAD N
WEST PALM BEACH, FL 33412
(561) 225-1982

1ST COAST METAL ROOFING SUPPLY

PH: (561) 629-7288
www.1stcoastmrs.com

186 STATE ROAD 207
EAST PALATKA, FL 32131



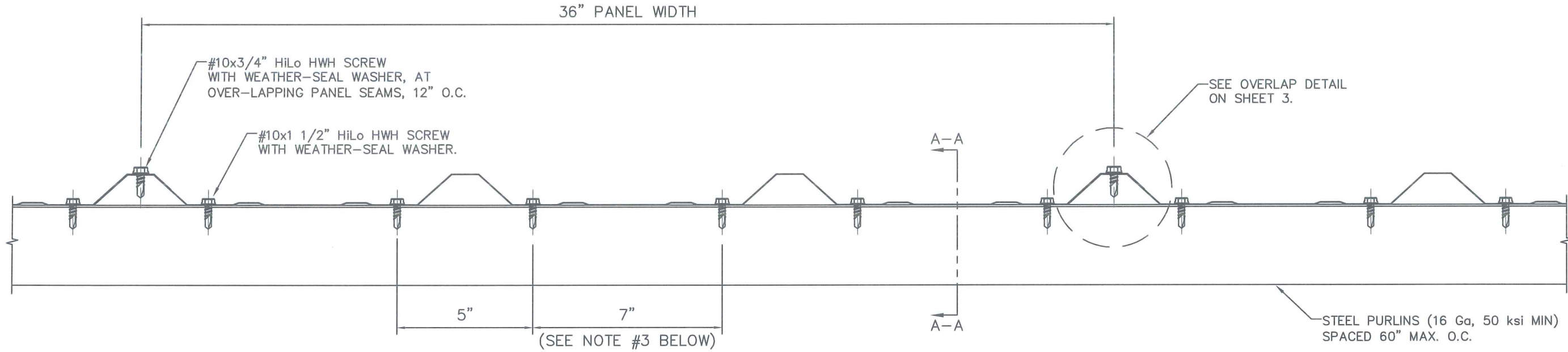
DWG: 1CPBR-HZ
SHEET: 1/3

12/21/20	DATE
1ST SUBMITTAL	REV.#
PRINTS ISSUED FOR	REV.#

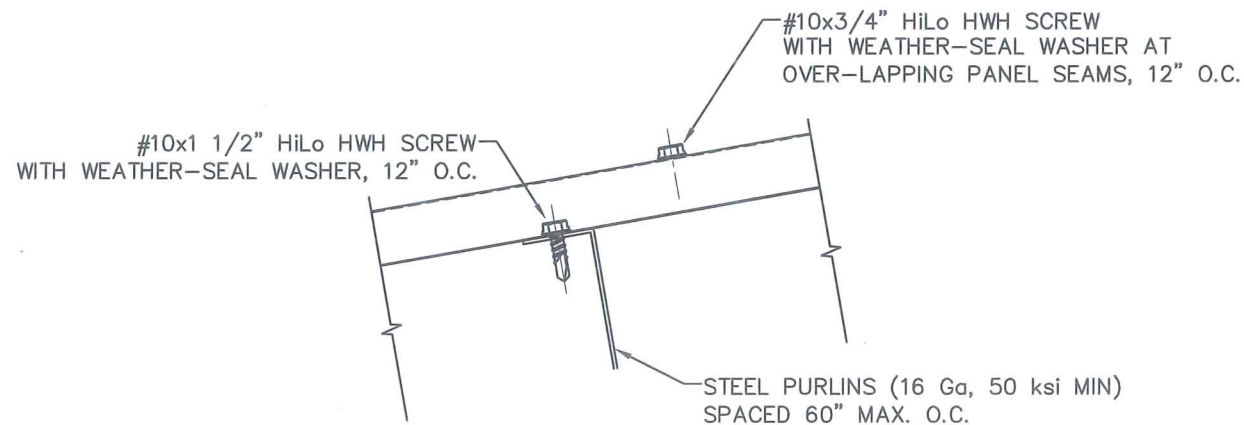
1ST COAST 24 Ga. STEEL PBR ROOF PANEL - HVHZ

36" RIBBED ROOF PANEL INSTALLED DIRECTLY OVER STEEL PURLINS
OR INSTALLED OVER EXISTING PBR PANEL OVER STEEL PURLINS

PERIMETER & CORNER INSTALLATION



MAX UPLIFT PRESSURE
130 Psf



SECTION A-A

GENERAL NOTES:

- PBR PANEL MAY BE INSTALLED DIRECTLY TO STEEL PURLINS, OR INSTALLED OVER EXISTING PBR PANELS.
- IF INSTALLED OVER EXISTING PANELS, THE EXISTING SCREWS AND ANY DEBRIS MUST BE REMOVED FROM THE EXISTING ROOF. ANY CORROSION IN THE EXISTING ROOF MUST BE TREATED WITH A RUST INHIBITOR PER FBC 1521.8.
- AT PANEL BUTT JOINTS, PANELS ARE OVERLAPPED 2", SEALED WITH BUTYL TAPE, AND FASTENED WITH #10x1 1/2" HiLo HWH SCREWS 3" O.C.
- ROOF SLOPE IS LIMITED PER THE REQUIREMENTS OF FBC SECTION 1507.4.2.
- FLASHING AND TRIM TO BE INSTALLED PER THE MANUFACTURER'S STANDARD INSTALLATION DETAILS, TO MEET THE REQUIREMENTS OF FBC SECTION 1503.



SCOTT WALTERS
FL PE# 62354

WALTERS ENGINEERING
(COA# 27194)
15211 97TH ROAD N
WEST PALM BEACH, FL 33412
(561) 225-1962

1ST COAST METAL ROOFING SUPPLY

PH: (561) 629-7288
www.1stcoastmrs.com

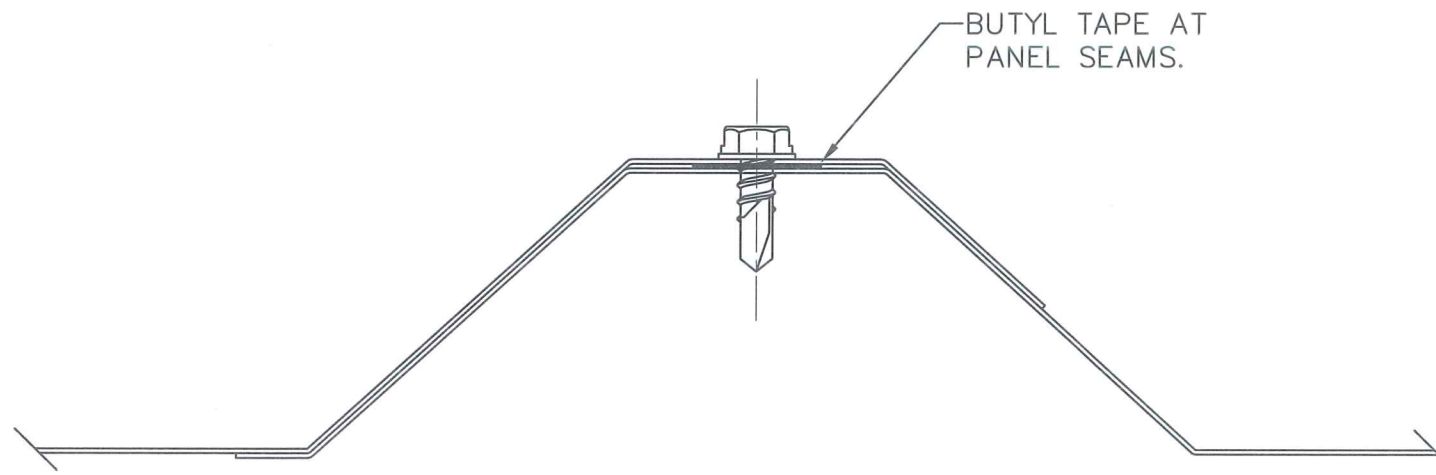
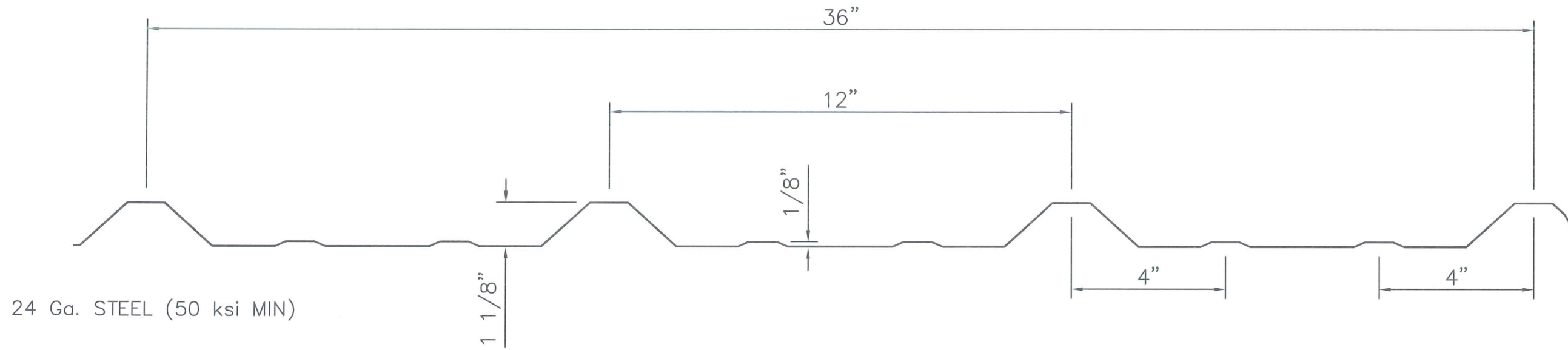
186 STATE ROAD 207
EAST PALATKA, FL 32131

DWG: 1CPBR-HZ
SHEET: 2/3

DATE	12/21/20
REV#	
ISSUED FOR	PRINTS
REV#	
ISSUED FOR	1ST SUBMITTAL
REV#	

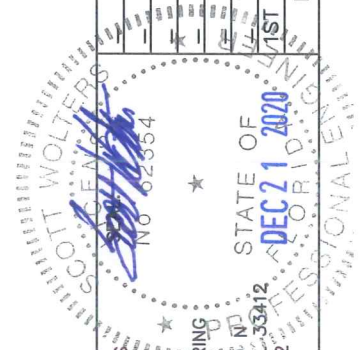
1ST COAST 24 Ga. STEEL PBR ROOF PANEL - HVHZ

36" RIBBED ROOF PANEL INSTALLED DIRECTLY OVER STEEL PURLINS
OR INSTALLED OVER EXISTING PBR PANEL OVER STEEL PURLINS



OVERLAP DETAIL
(1 RIB)

REV.#	DATE	ISSUED FOR
1	12/21/20	PRINTS
2		ISSUED FOR
3		
4		
5		
6		
7		
8		
9		
10		



SCOTT WALTERS
FL PE# 62354
WALTERS ENGINEERING
(COA# 27194)
15211 97TH ROAD, N.W.
WEST PALM BEACH, FL 33412
(561) 225-1982

1ST COAST METAL ROOFING SUPPLY
186 STATE ROAD 207
EAST PALATKA, FL 32131
PH: (561) 629-7288
www.1stcoastmrs.com

DWG: 1CPBR-HZ
SHEET: 3/3