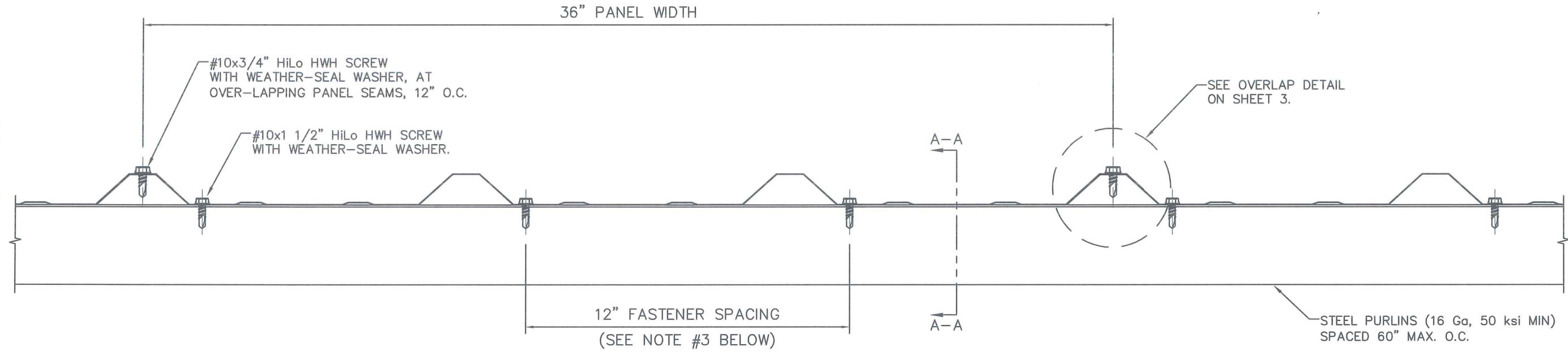


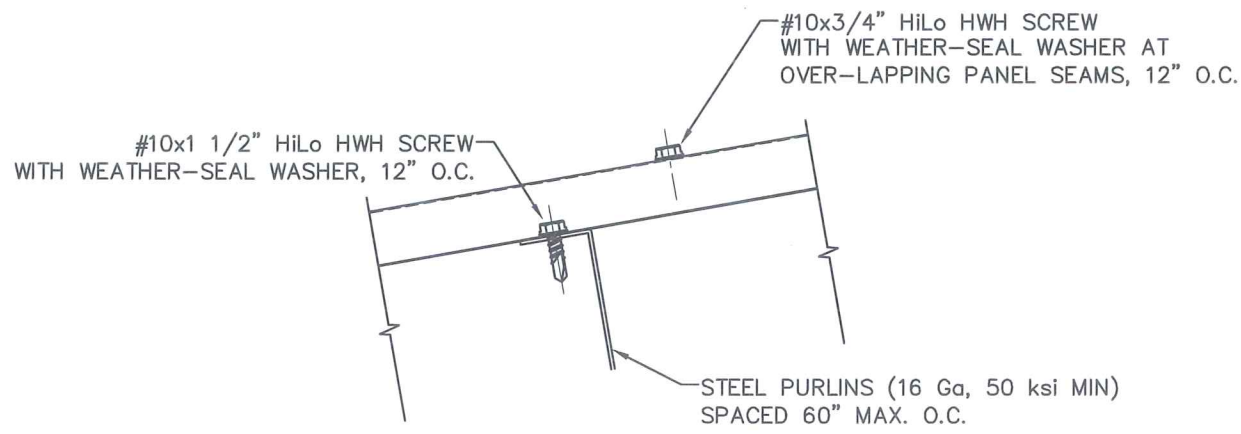
1ST COAST 26 Ga. STEEL PBR ROOF PANEL

36" RIBBED ROOF PANEL INSTALLED DIRECTLY OVER STEEL PURLINS
OR INSTALLED OVER EXISTING PBR PANEL OVER STEEL PURLINS

FIELD INSTALLATION



MAX UPLIFT PRESSURE
62.5 Psf



SECTION A-A

GENERAL NOTES:

- PBR PANEL MAY BE INSTALLED DIRECTLY TO STEEL PURLINS, OR INSTALLED OVER EXISTING PBR PANELS.
- IF INSTALLED OVER EXISTING PANELS, THE EXISTING SCREWS AND ANY DEBRIS MUST BE REMOVED FROM THE EXISTING ROOF. ANY CORROSION IN THE EXISTING ROOF MUST BE TREATED WITH A RUST INHIBITOR PER FBC 1521.8.
- AT PANEL BUTT JOINTS, PANELS ARE OVERLAPPED 2", SEALED WITH BUTYL TAPE, AND FASTENED WITH #10x1 1/2" HiLo HWH SCREWS 3" O.C.
- ROOF SLOPE IS LIMITED PER THE REQUIREMENTS OF FBC SECTION 1507.4.2.
- FLASHING AND TRIM TO BE INSTALLED PER THE MANUFACTURER'S STANDARD INSTALLATION DETAILS, TO MEET THE REQUIREMENTS OF FBC SECTION 1503.



DATE	12/21/20
REV.#	
PRINTS ISSUED FOR	
1ST SUBMITTAL	

SCOTT WALTERS
FL PE# 62354

WALTERS ENGINEERING
(CO.# 27194)
15211 97TH ROAD, N.W.
WEST PALM BEACH, FL 33412
(561) 225-1982

1ST COAST METAL ROOFING SUPPLY

PH: (561) 629-7288
www.1stcoastmrs.com

186 STATE ROAD 207
EAST PALATKA, FL 32131

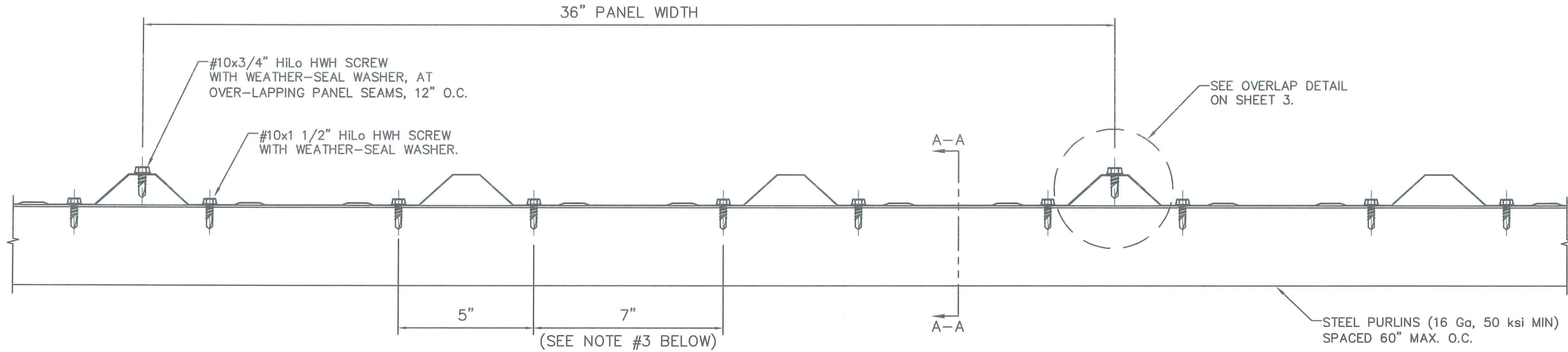


DWG: 1CPBR
SHEET: 1/3

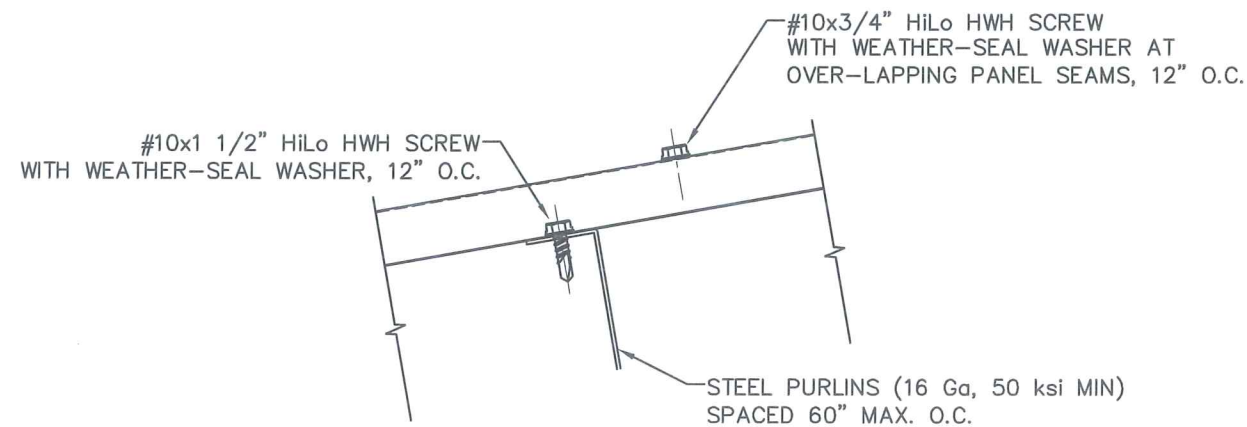
1ST COAST 26 Ga. STEEL PBR ROOF PANEL

36" RIBBED ROOF PANEL INSTALLED DIRECTLY OVER STEEL PURLINS
OR INSTALLED OVER EXISTING PBR PANEL OVER STEEL PURLINS

PERIMETER & CORNER INSTALLATION



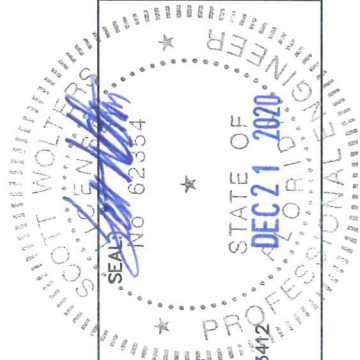
MAX UPLIFT PRESSURE
130 Psf



SECTION A-A

GENERAL NOTES:

- PBR PANEL MAY BE INSTALLED DIRECTLY TO STEEL PURLINS, OR INSTALLED OVER EXISTING PBR PANELS.
- IF INSTALLED OVER EXISTING PANELS, THE EXISTING SCREWS AND ANY DEBRIS MUST BE REMOVED FROM THE EXISTING ROOF. ANY CORROSION IN THE EXISTING ROOF MUST BE TREATED WITH A RUST INHIBITOR PER FBC 1521.8.
- AT PANEL BUTT JOINTS, PANELS ARE OVERLAPPED 2", SEALED WITH BUTYL TAPE, AND FASTENED WITH #10x1 1/2" HiLo HWH SCREWS 3" O.C.
- ROOF SLOPE IS LIMITED PER THE REQUIREMENTS OF FBC SECTION 1507.4.2.
- FLASHING AND TRIM TO BE INSTALLED PER THE MANUFACTURER'S STANDARD INSTALLATION DETAILS, TO MEET THE REQUIREMENTS OF FBC SECTION 1503.



SCOTT WALTERS
FL PE# 62354
WALTERS ENGINEERING
(CO.# 27194)
15211 97TH ROAD N
WEST PALM BEACH, FL 33412
(561) 225-1982

1ST COAST METAL ROOFING SUPPLY

186 STATE ROAD 207
EAST PALATKA, FL 32131
PH: (561) 629-7288
www.1stcoastmrs.com

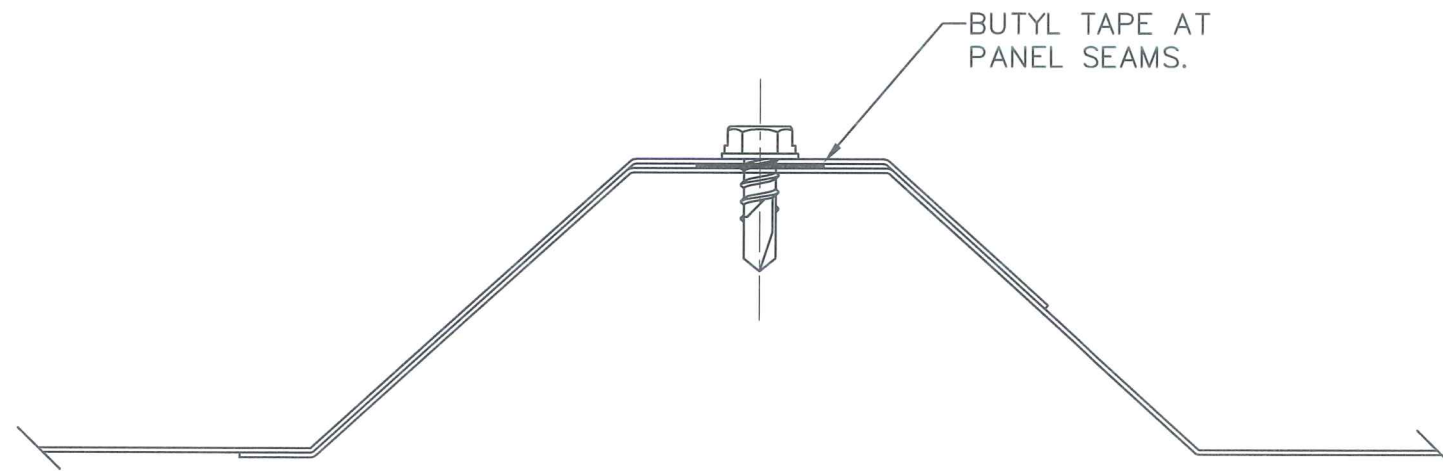
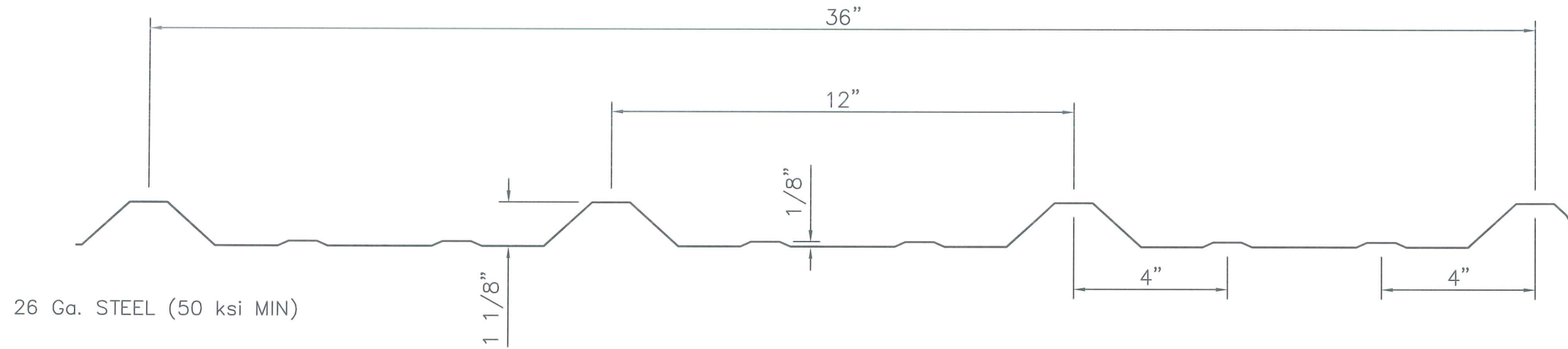


DWG: 1CPBR
SHEET: 2/3

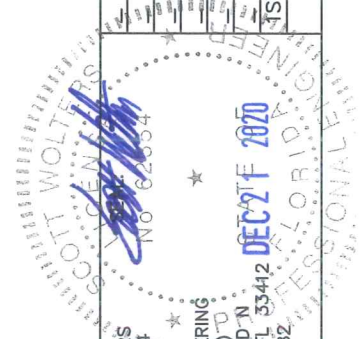
DATE	12/21/20
REV.#	
PRINTS ISSUED FOR	
1ST SUBMITTAL	

1ST COAST 26 Ga. STEEL PBR ROOF PANEL

36" RIBBED ROOF PANEL INSTALLED DIRECTLY OVER STEEL PURLINS
OR INSTALLED OVER EXISTING PBR PANEL OVER STEEL PURLINS



OVERLAP DETAIL
(1 RIB)



SCOTT WALTERS
FL PE# 62354
WALTERS ENGINEERING
(COA# 27194)
15211 97TH ROAD N
WEST PALM BEACH, FL 33412
(561) 225-1982

1ST COAST METAL ROOFING SUPPLY

186 STATE ROAD 207
EAST PALATKA, FL 32131
PH: (561) 629-7288
www.1stcoastmrs.com

DWG: 1CPBR
SHEET: 3/3

REV.#	ISSUED FOR	DATE
1	3ST SUBMITTAL	12/21/20