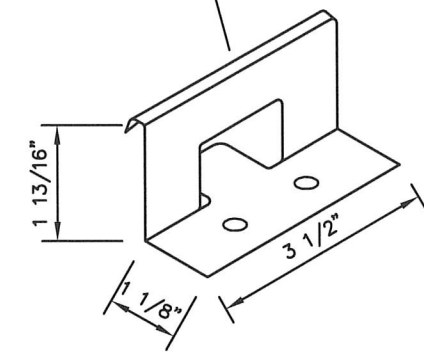
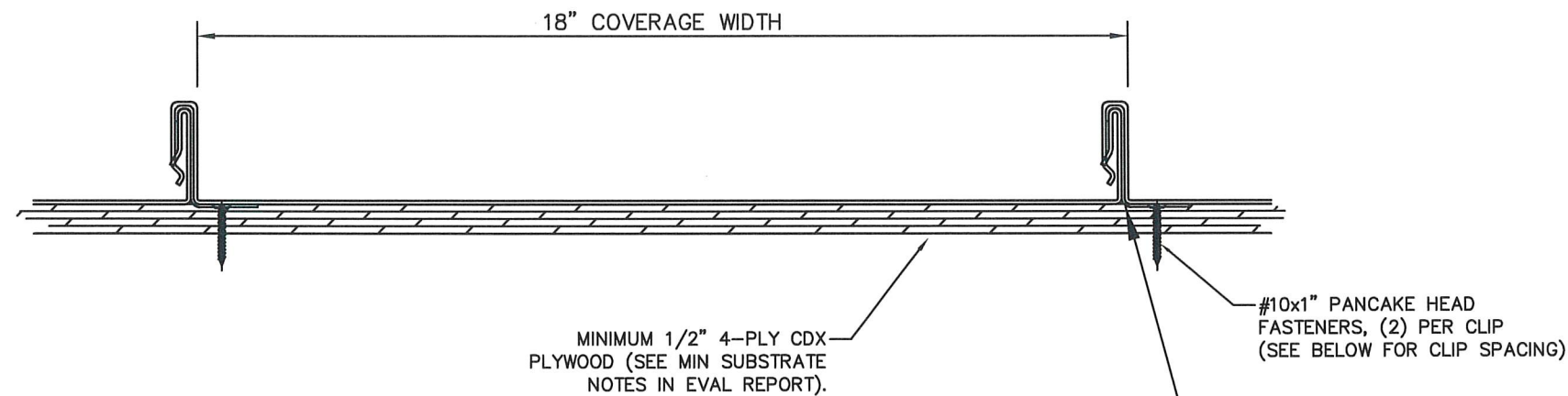
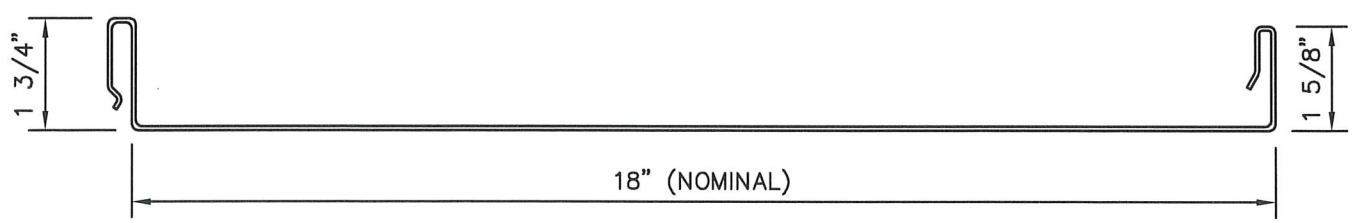
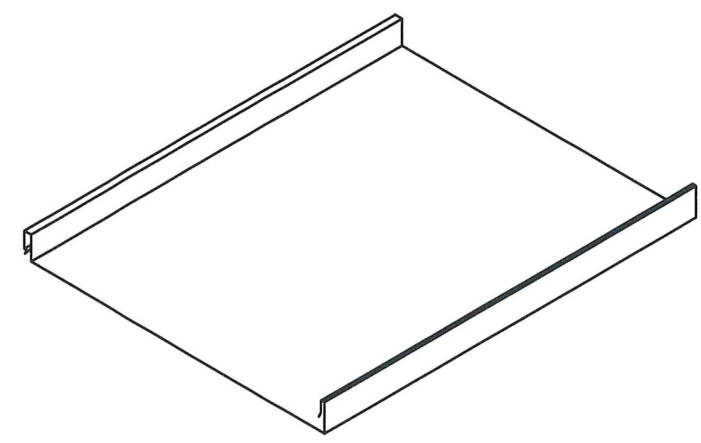


**ARMOUR LOC 0.032" ALUMINUM 1 3/4" SNAPLOCK  
18" WIDE ROOF PANELS OVER 1/2" CDX PLYWOOD**



18 Ga. GALVANIZED STEEL CLIP

MAX DESIGN PRESSURE	
CLIPS SPACED 16" O.C:	-147.5 Psf
CLIPS SPACED 8" O.C:	-191 Psf



PANEL PROFILE

**GENERAL NOTES:**

1. ROOF SLOPE IS LIMITED PER THE REQUIREMENTS OF FBC SECTION 1507.4.2 or 1515.2.
2. DESIGN OF SUBSTRATE IS BY OTHERS AND NOT A PART OF THIS APPROVAL.
3. ALL PANEL SYSTEM PERIMETERS, PENETRATIONS, AND TRANSITIONS TO BE FLASHED AND SEALED PER THE REQUIREMENTS OF RAS 133.

SCOTT WOLTERS  
SEAL No 62354

STATE OF FLORIDA  
PROFESSIONAL ENGINEER  
SC10703

2023 CODE UPDATE  
10/10/23  
1ST SUBMITTAL  
8/1/22

PRINTS ISSUED FOR REV# DATE

SCOTT WOLTERS  
FL PE# 62354

WOLTERS ENGINEERING  
(COA# 27194)  
15211 97TH ROAD N  
WEST PALM BEACH, FL 33412  
(561) 225-1982

**1ST COAST METAL ROOFING SUPPLY**

PH: (561) 629-7288  
www.1stcoastmrs.com

186 STATE ROAD 207  
EAST PALATKA, FL 32131



DWG: 1CASL18-HZ  
SHEET: 1/1