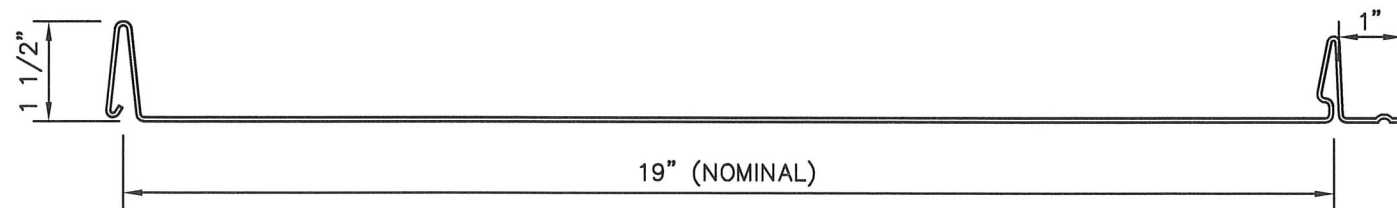
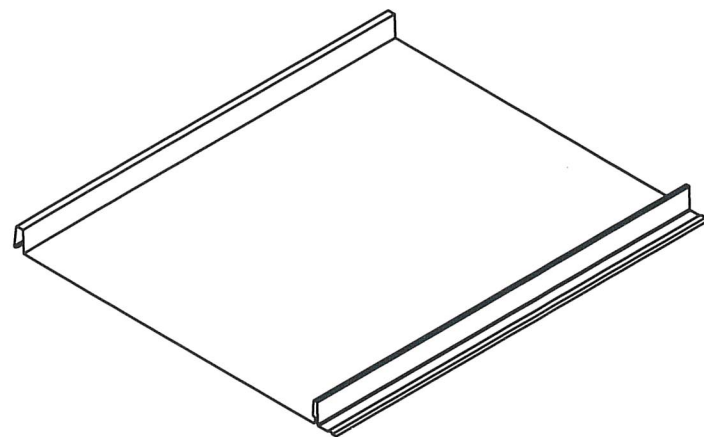
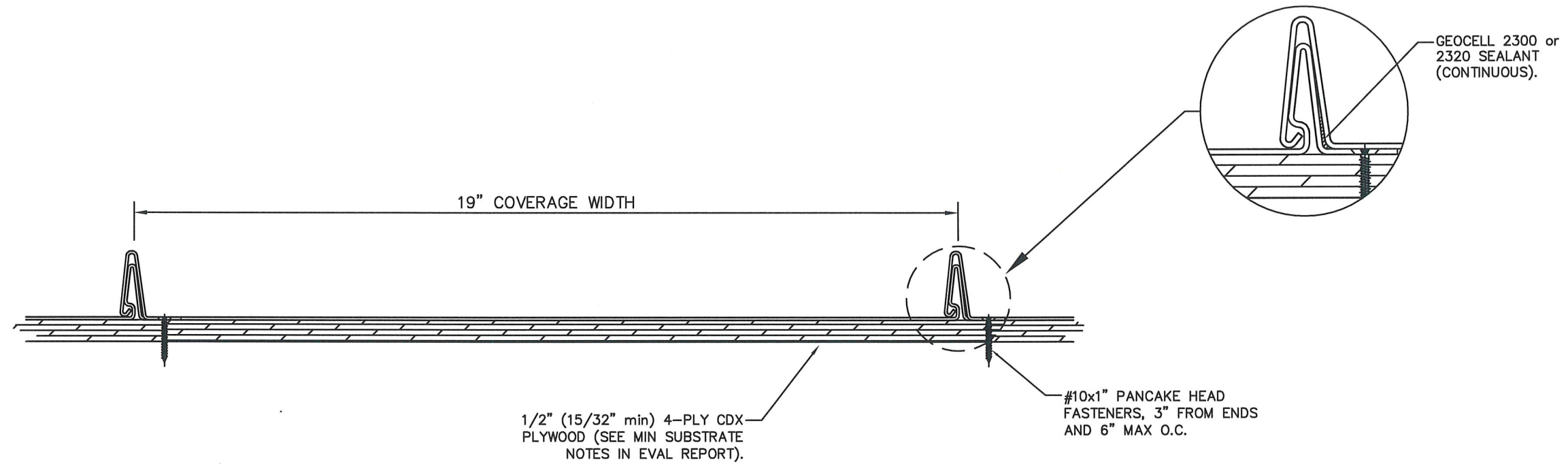


**ARMOUR LOC 0.032" ALUMINUM 1 1/2" NAILSTRIP
19" WIDE ROOF PANELS OVER 1/2" CDX PLYWOOD**



PANEL PROFILE

MAX DESIGN PRESSURE
-168 Psf

GENERAL NOTES:

1. ROOF SLOPE IS LIMITED PER THE REQUIREMENTS OF FBC SECTION 1507.4.2 or 1515.2.
2. DESIGN OF SUBSTRATE IS BY OTHERS AND NOT A PART OF THIS APPROVAL.
3. ALL PANEL SYSTEM PERIMETERS, PENETRATIONS, AND TRANSITIONS TO BE FLASHED AND SEALED PER THE REQUIREMENTS OF RAS 133.

SCOTT WOLTERS FL PE# 62354	SCOTT WOLTERS FL PE# 62354	2023 CODE UPDATE	10/10/23
WOLTERS ENGINEERING (COA# 27194) 15211 97TH ROAD N WEST PALM BEACH, FL 33412 (561) 225-1982	STATE OF FLORIDA PROFESSIONAL ENGINEER OCT 10 2023	PRINTS ISSUED FOR	REV#
1ST COAST METAL ROOFING SUPPLY	186 STATE ROAD 207 EAST PALATKA, FL 32131	PH: (561) 629-7288	www.1stcoastmrs.com
		DWG:	1CANS19-HZ
		SHEET:	1/1