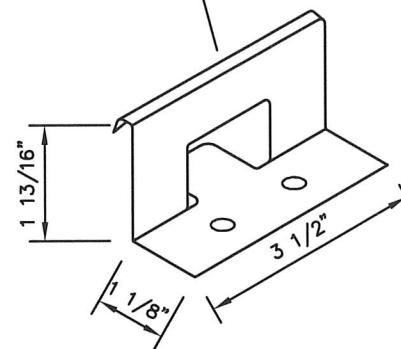
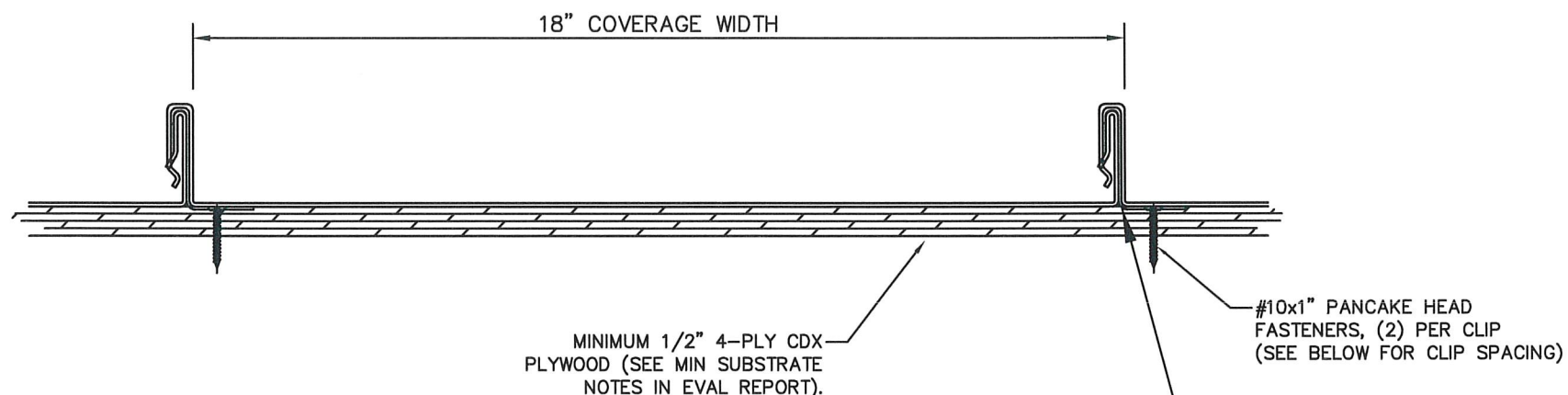
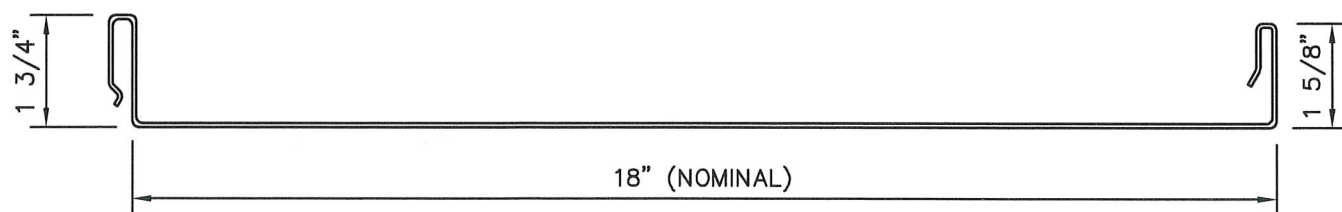


**ARMOUR LOC 24 Ga. STEEL 1 3/4" SNAPLOCK  
18" WIDE ROOF PANELS OVER 1/2" CDX PLYWOOD**



18 Ga. GALVANIZED STEEL CLIP

MAX DESIGN PRESSURE	
CLIPS SPACED 16" O.C:	-166 Psf
CLIPS SPACED 8" O.C:	-243.5 Psf



PANEL PROFILE

**GENERAL NOTES:**

1. ROOF SLOPE IS LIMITED PER THE REQUIREMENTS OF FBC SECTION 1507.4.2 or 1515.2.
2. DESIGN OF SUBSTRATE IS BY OTHERS AND NOT A PART OF THIS APPROVAL.
3. ALL PANEL SYSTEM PERIMETERS, PENETRATIONS, AND TRANSITIONS TO BE FLASHED AND SEALED PER THE REQUIREMENTS OF RAS 133.

SCOTT WOLTERS  
FL PE# 62354  
No. 62354

2023 CODE UPDATE  
10/10/23

1ST SUBMITTAL  
8/1/22

PRINTS ISSUED FDR  
REV#

DATE

SCOTT WOLTERS  
FL PE# 62354

WOLTERS ENGINEERING  
(COA# 27194)  
15211 97TH ROAD N  
WEST PALM BEACH, FL 33412  
(561) 225-1982

1ST COAST METAL ROOFING SUPPLY

186 STATE ROAD 207  
EAST PALATKA, FL 32131

PH: (561) 629-7288  
www.1stcoastmrs.com



DWG: 1CSSL18-HZ  
SHEET: 1/1