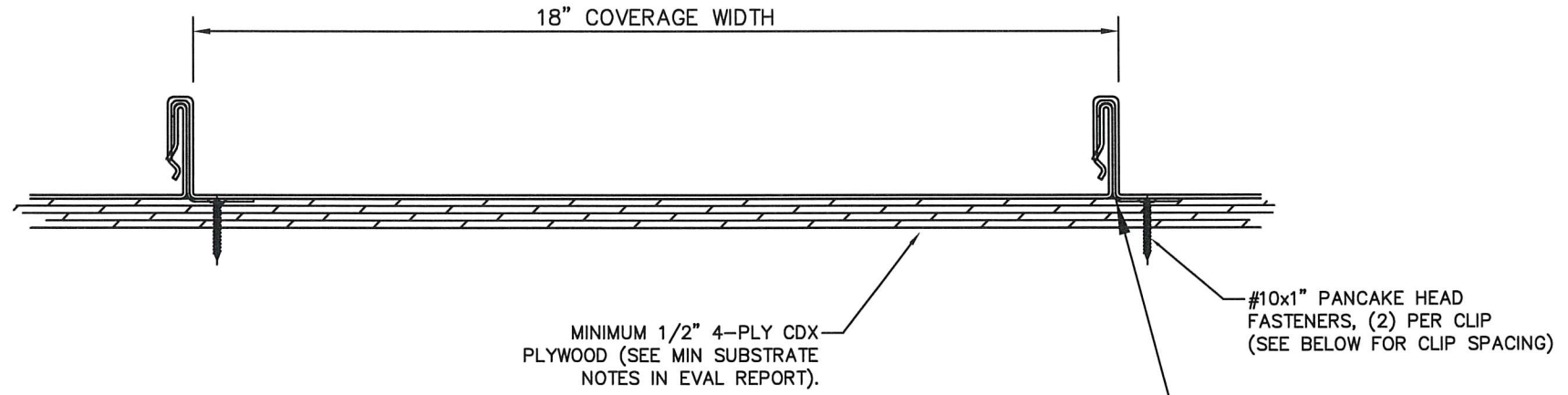
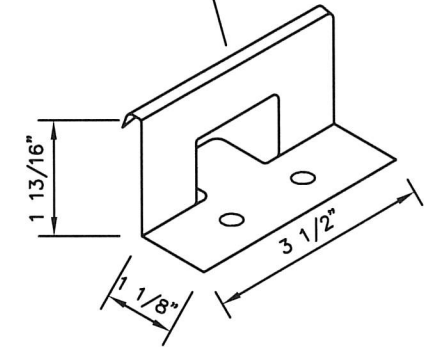


**ARMOUR LOC 0.032" ALUMINUM 1 3/4" SNAPLOCK  
18" WIDE ROOF PANELS OVER 1/2" CDX PLYWOOD**



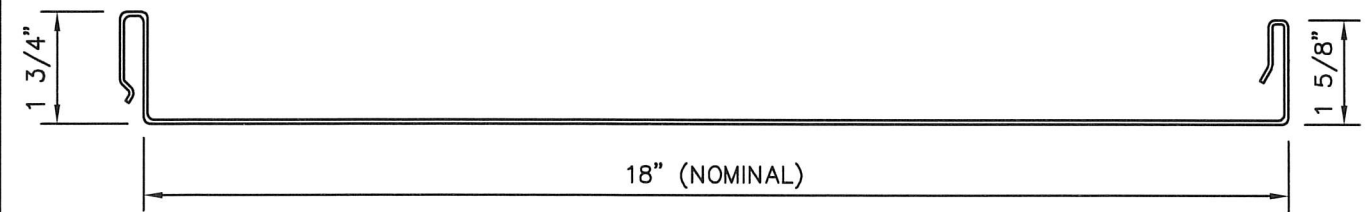
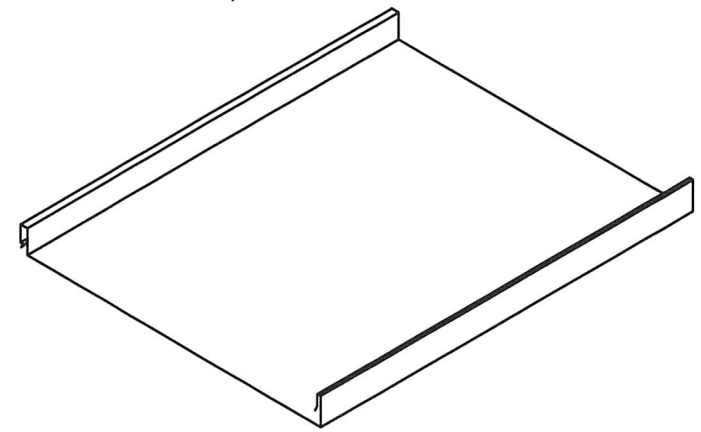
MINIMUM 1/2" 4-PLY CDX PLYWOOD (SEE MIN SUBSTRATE NOTES IN EVAL REPORT).

#10x1" PANCAKE HEAD FASTENERS, (2) PER CLIP (SEE BELOW FOR CLIP SPACING)



**18 Ga. GALVANIZED STEEL CLIP**

MAX DESIGN PRESSURE	
CLIPS SPACED 16" O.C:	-147.5 Psf
CLIPS SPACED 8" O.C:	-191 Psf



**PANEL PROFILE**

**GENERAL NOTES:**

1. ROOF SLOPE IS LIMITED PER THE REQUIREMENTS OF FBC SECTION 1507.4.2 or 1515.2.
2. DESIGN OF SUBSTRATE IS BY OTHERS AND NOT A PART OF THIS APPROVAL.
3. ALL PANEL SYSTEM PERIMETERS, PENETRATIONS, AND TRANSITIONS TO BE FLASHED AND SEALED PER THE REQUIREMENTS OF RAS 133.

DATE	8/1/22
REV#	
ISSUED FOR	TEST SUBMITTAL PRINTS

**SCOTT WOLTERS**  
FL PE # 62354  
  
**WOLTERS ENGINEERING**  
(COA# 27194)  
15211 97TH ROAD N  
WEST PALM BEACH, FL 33412  
(561) 225-1982

**1<sup>ST</sup> COAST METAL ROOFING SUPPLY**

PH: (561) 629-7288  
www.1stcoastmrs.com  
  
 186 STATE ROAD 207  
EAST PALATKA, FL 32131

**DWG:**  
1CASL18-HZ

**SHEET:**  
1/1