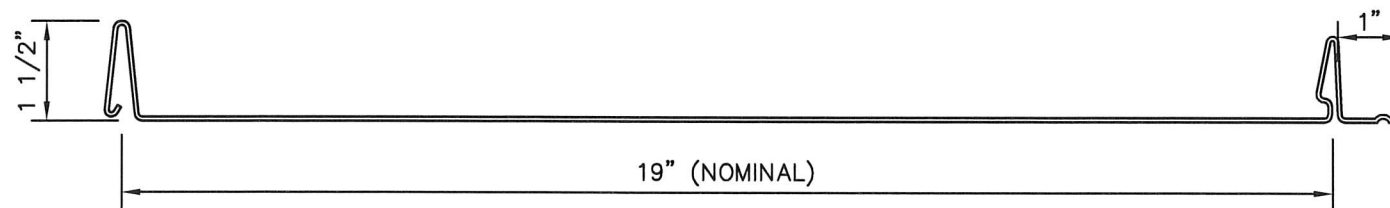
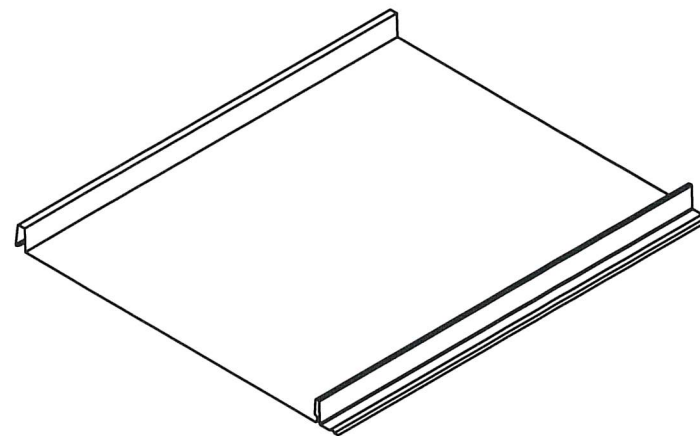
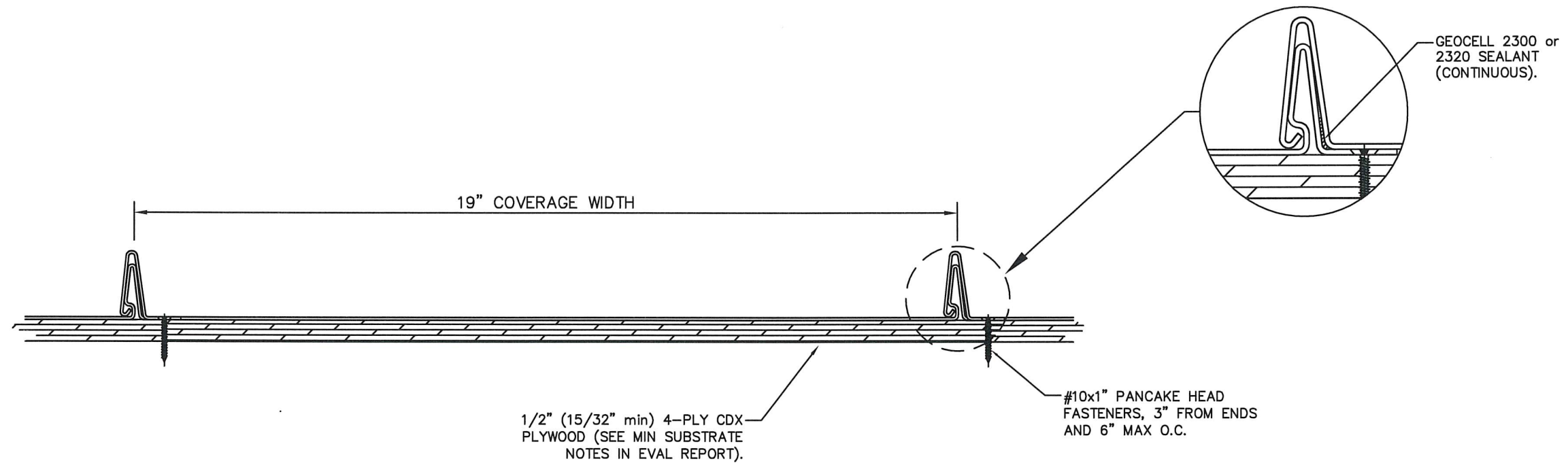


**ARMOUR LOC 0.032" ALUMINUM 1 1/2" NAILSTRIP  
19" WIDE ROOF PANELS OVER 1/2" CDX PLYWOOD**

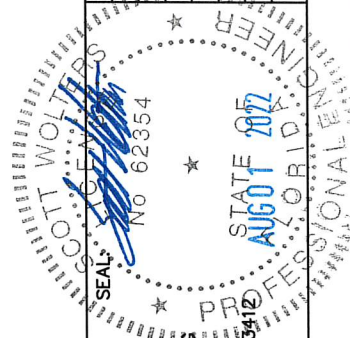


PANEL PROFILE

MAX DESIGN PRESSURE
-168 Psf

**GENERAL NOTES:**

1. ROOF SLOPE IS LIMITED PER THE REQUIREMENTS OF FBC SECTION 1507.4.2 or 1515.2.
2. DESIGN OF SUBSTRATE IS BY OTHERS AND NOT A PART OF THIS APPROVAL.
3. ALL PANEL SYSTEM PERIMETERS, PENETRATIONS, AND TRANSITIONS TO BE FLASHED AND SEALED PER THE REQUIREMENTS OF RAS 133.



SCOTT WOLTERS  
FL PE# 62354

WOLTERS ENGINEERING  
(COA# 27194)  
15211 97TH ROAD N  
WEST PALM BEACH, FL 33412  
(561) 225-1982

**1ST COAST METAL ROOFING SUPPLY**

PH: (561) 629-7288  
www.1stcoastmrs.com

186 STATE ROAD 207  
EAST PALATKA, FL 32131



DWG: **1CANS19-HZ**  
SHEET: **1/1**

REV.#	PRINTS ISSUED FOR	DATE
1	1ST SUBMITTAL	8/1/22