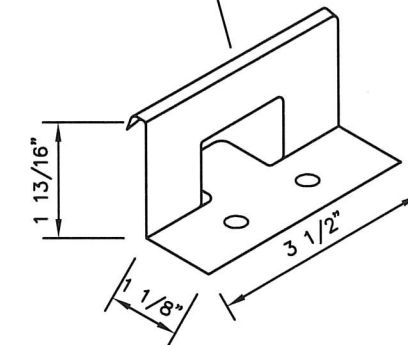
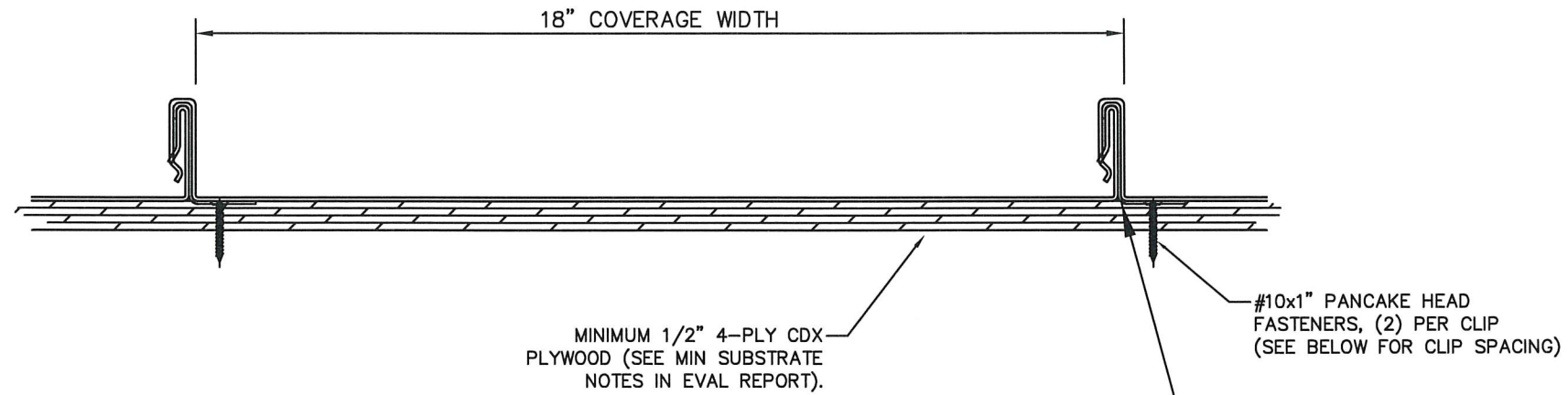
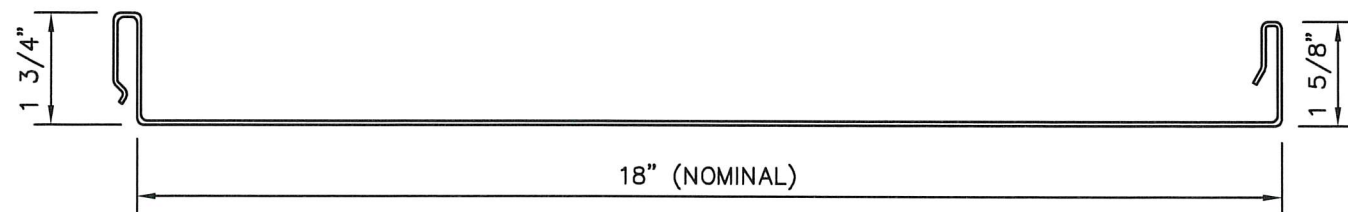
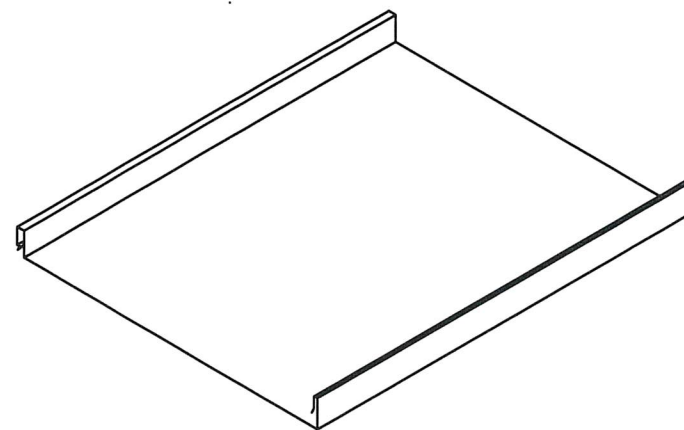


**ARMOUR LOC 24 Ga. STEEL 1 3/4" SNAPLOCK
18" WIDE ROOF PANELS OVER 1/2" CDX PLYWOOD**



18 Ga. GALVANIZED STEEL CLIP

MAX DESIGN PRESSURE	
CLIPS SPACED 16" O.C:	-166 Psf
CLIPS SPACED 8" O.C:	-243.5 Psf



PANEL PROFILE

GENERAL NOTES:

1. ROOF SLOPE IS LIMITED PER THE REQUIREMENTS OF FBC SECTION 1507.4.2 or 1515.2.
2. DESIGN OF SUBSTRATE IS BY OTHERS AND NOT A PART OF THIS APPROVAL.
3. ALL PANEL SYSTEM PERIMETERS, PENETRATIONS, AND TRANSITIONS TO BE FLASHED AND SEALED PER THE REQUIREMENTS OF RAS 133.

SCOTT WOLTERS
Professional Engineer
No. 62354
STATE OF FLORIDA
AUG 1 2022

SCOTT WOLTERS
FL PE# 62354
WOLTERS ENGINEERING
(COA# 27194)
15211 97TH ROAD N
WEST PALM BEACH, FL 33412
(561) 225-1982

1ST COAST METAL ROOFING SUPPLY
186 STATE ROAD 207
EAST PALATKA, FL 32131
PH: (561) 629-7288
www.1stcoastmrs.com

1ST COAST METAL ROOFING SUPPLY
DWG: 1CSSL18-HZ
SHEET: 1/1

REV#	ISSUED FOR	DATE
1	1ST SUBMITTAL	8/1/22