

REVISIONS			
REV	DESCRIPTION	DATE	APPROVED

NOTES:

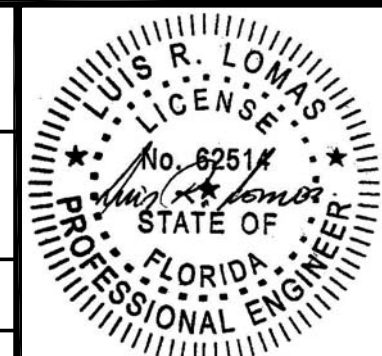
1. THE PRODUCT SHOWN HEREIN IS DESIGNED AND MANUFACTURED TO COMPLY WITH REQUIREMENTS OF THE FLORIDA BUILDING CODE.
2. WOOD FRAMING AND MASONRY OPENING TO BE DESIGNED AND ANCHORED TO PROPERLY TRANSFER ALL LOADS TO STRUCTURE. FRAMING AND MASONRY OPENING IS THE RESPONSIBILITY OF THE ARCHITECT OR ENGINEER OF RECORD.
3. 1X BUCK OVER MASONRY/CONCRETE IS OPTIONAL.
4. WHERE SHIM OR BUCK THICKNESS IS LESS THAN 1-1/2" UNITS MUST BE ANCHORED THROUGH THE FRAME IN ACCORDANCE WITH MANUFACTURER'S PUBLISHED INSTALLATION INSTRUCTIONS. ANCHORS SHALL BE SECURELY FASTENED DIRECTLY INTO MASONRY, CONCRETE OR OTHER STRUCTURAL SUBSTRATE MATERIAL.
5. WHERE WOOD BUCK THICKNESS IS 1-1/2" OR GREATER, BUCK SHALL BE SECURELY FASTENED TO MASONRY, CONCRETE OR OTHER STRUCTURAL SUBSTRATE. UNITS MAY BE ANCHORED THROUGH FRAME TO SECURED WOOD BUCK IN ACCORDANCE WITH MANUFACTURER'S PUBLISHED INSTALLATION INSTRUCTIONS.
6. WHERE 1X BUCK IS NOT USED DISSIMILAR MATERIALS MUST BE SEPARATED WITH APPROVED COATING OR MEMBRANE. SELECTION OF COATING OR MEMBRANE IS THE RESPONSIBILITY OF THE ARCHITECT OR ENGINEER OF RECORD.
7. BUCKS SHALL EXTEND BEYOND UNIT FRAME INTERIOR FACE SO THAT FULL FRAME SUPPORT IS PROVIDED.
8. SHIM AS REQUIRED AT EACH ANCHOR LOCATION WITH LOAD BEARING SHIM. SHIM WHERE SPACE OF 1/16" OR GREATER OCCURS. MAXIMUM ALLOWABLE SHIM STACK TO BE 1/2".
9. SHIMS SHALL BE LOCATED, APPLIED AND MADE FROM MATERIALS AND THICKNESS CAPABLE OF SUSTAINING APPLICABLE LOADS.
10. WIND LOAD DURATION FACTOR Cd=1.6 WAS USED FOR WOOD ANCHOR CALCULATIONS.
11. FRAME MATERIAL: FRENCH OAK.
12. UNITS MUST BE GLAZED PER ASTM E1300-04/09.
13. APPROVED IMPACT PROTECTIVE SYSTEM IS REQUIRED FOR THIS PRODUCT IN WIND BORNE DEBRIS REGIONS.
14. FOR ANCHORING THROUGH FRAME INTO WOOD FRAMING OR 2X BUCK USE 6.5MM X 82 MM WURTH AMO III TYPE 2 OR 3.9 MM X 152 MM SIMPSON STRONG-TIE WOOD SCREWS WITH SUFFICIENT LENGTH TO ACHIEVE A 1 3/8" MINIMUM EMBEDMENT INTO SUBSTRATE. LOCATE ANCHORS AS SHOWN IN ELEVATIONS AND INSTALLATION DETAILS.

15. FOR ANCHORING THROUGH FRAME INTO MASONRY/CONCRETE USE 1/4" TAPCONS WITH SUFFICIENT LENGTH TO ACHIEVE A 1 1/4" MINIMUM EMBEDMENT INTO SUBSTRATE WITH 2 1/2" MINIMUM EDGE DISTANCE. LOCATE ANCHORS AS SHOWN IN ELEVATIONS AND INSTALLATION DETAILS.
16. FOR ANCHORING THROUGH FRAME INTO METAL STRUCTURE USE 1/4" SMS OR SELF DRILLING SCREWS WITH SUFFICIENT LENGTH TO ACHIEVE 3 THREADS MINIMUM BEYOND STRUCTURE INTERIOR WALL. LOCATE ANCHORS AS SHOWN IN ELEVATIONS AND INSTALLATION DETAILS.
17. ALL FASTENERS TO BE CORROSION RESISTANT.
18. INSTALLATION ANCHORS SHALL BE INSTALLED IN ACCORDANCE WITH ANCHOR MANUFACTURER'S INSTALLATION INSTRUCTIONS AND ANCHORS SHALL NOT BE USED IN SUBSTRATES WITH STRENGTHS LESS THAN THE MINIMUM STRENGTH SPECIFIED BELOW:
 - A. WOOD: MINIMUM SPECIFIC GRAVITY OF G=0.42
 - B. CONCRETE: MINIMUM COMPRESSIVE STRENGTH OF 2,000 PSI.
 - C. MASONRY: HOLLOW/FILLED BLOCK PER ASTM C90 WITH Fm=2,000PSI MINIMUM.
 - D. METAL STRUCTURE: STEEL 18GA (.048") FY=33KSI/FU=52KSI OR ALUMINUM 6063-T5 FU=30KSI .048" THICK MINIMUM
19. GEOMETRIC SHAPES ARE ALSO APPROVED. APPROVED GEOMETRIC SHAPES DIMENSIONS SHALL NOT EXCEED INSCRIBED DIMENSIONS OF APPROVED RECTANGULAR ASSEMBLY SHOWN IN SHEET 2.

SIGNED: 09/11/2020

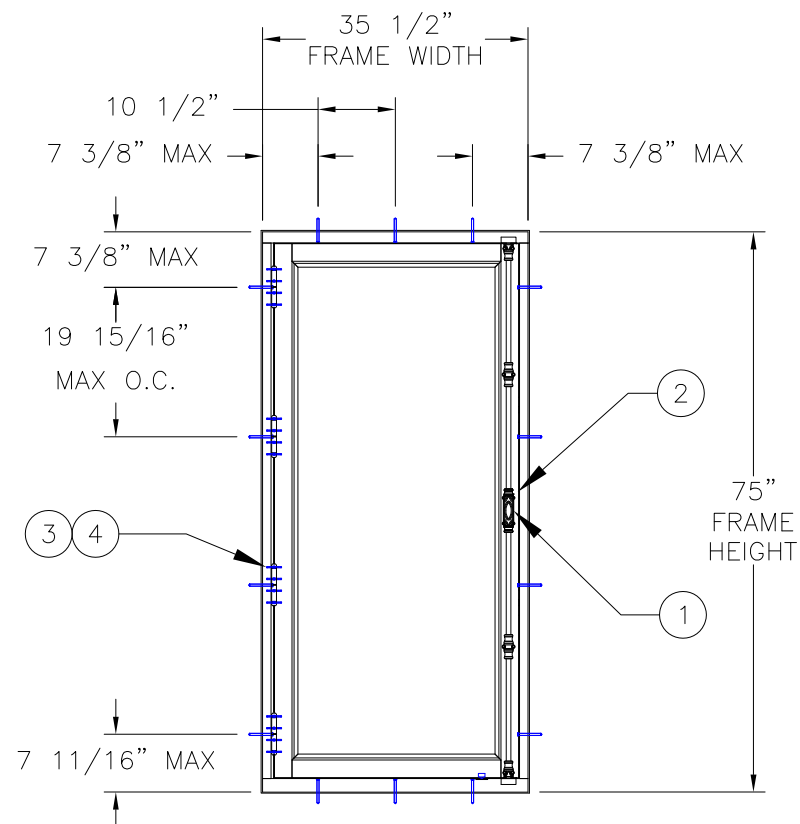
TABLE OF CONTENTS	
SHEET NO.	DESCRIPTION
1	NOTES
2	ELEVATION
3 - 5	INSTALLATION DETAILS
6 - 7	COMPONENTS

ASSELIN INC. 2870 PEACHTREE RD NW #714 ATLANTA, GA 30305		
SERIES INSWING CASEMENT NON-IMPACT NOTES		
DRAWN: C.H.	DWG NO. 2051-2020-03	REV -
SCALE NTS	DATE 08/17/2020	SHEET 1 OF 7
L. ROBERTO LOMAS P.E. 1432 WOODFORD RD LEWISVILLE, NC 27023 434-688-0609 rllomas@rlomaspe.com		



Luis R. Lomas P.E.
FL No.: 62514

REVISIONS			
REV	DESCRIPTION	DATE	APPROVED



NOTES:

1. SASH SIZE: 32 1/2" X 71 1/4"
2. D.L.O.: 26 1/4" X 65"

HARDWARE		
ITEM #	ITEM DESCRIPTION	MANUFACTURER/NOTES
1	MORTISE CREMONE WITH CAMS	FERCO TYPE F25
2	CREMONE	REMI GARNIER TYPE RG 50
3	HINGE	FAURE ET FILS TYPE FO LASER
4	SCREW FOR HINGES	WURTH 4.5 MM X 25 MM (8 PER HINGE)

SINGLE RECTANGULAR WINDOW
INTERIOR VIEW

DESIGN PRESSURE RATING	IMPACT RATING
±35.0PSF	NONE

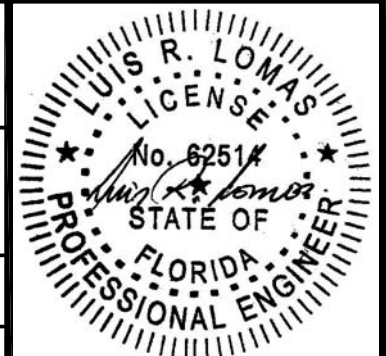
SIGNED: 09/11/2020

ASSELIN INC.
2870 PEACHTREE RD NW #714
ATLANTA, GA 30305

SERIES INSWING CASEMENT
NON-IMPACT
ELEVATION

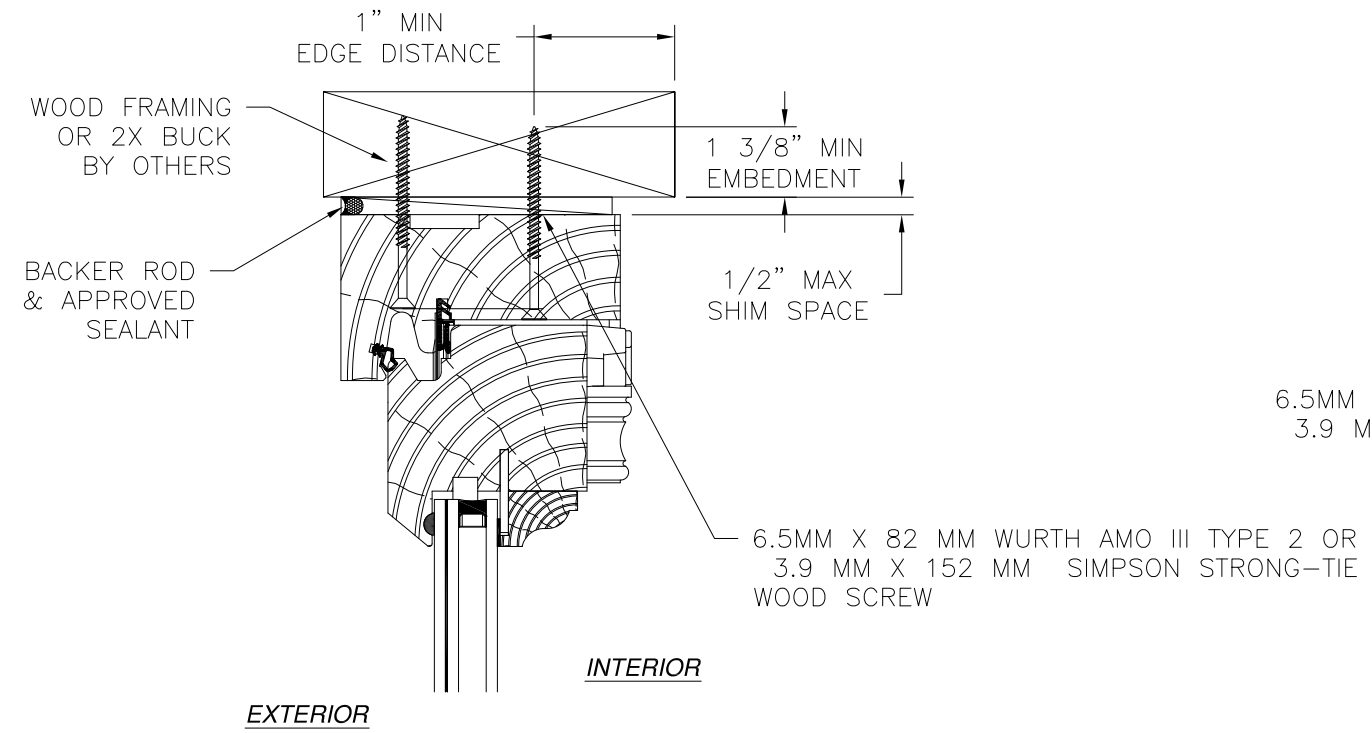
DRAWN: C.H.	DWG NO. 2051-2020-03	REV -
SCALE NTS	DATE 08/17/2020	SHEET 2 OF 7

L. ROBERTO LOMAS P.E.
1432 WOODFORD RD LEWISVILLE, NC 27023
434-688-0609 rllomas@rlomaspe.com

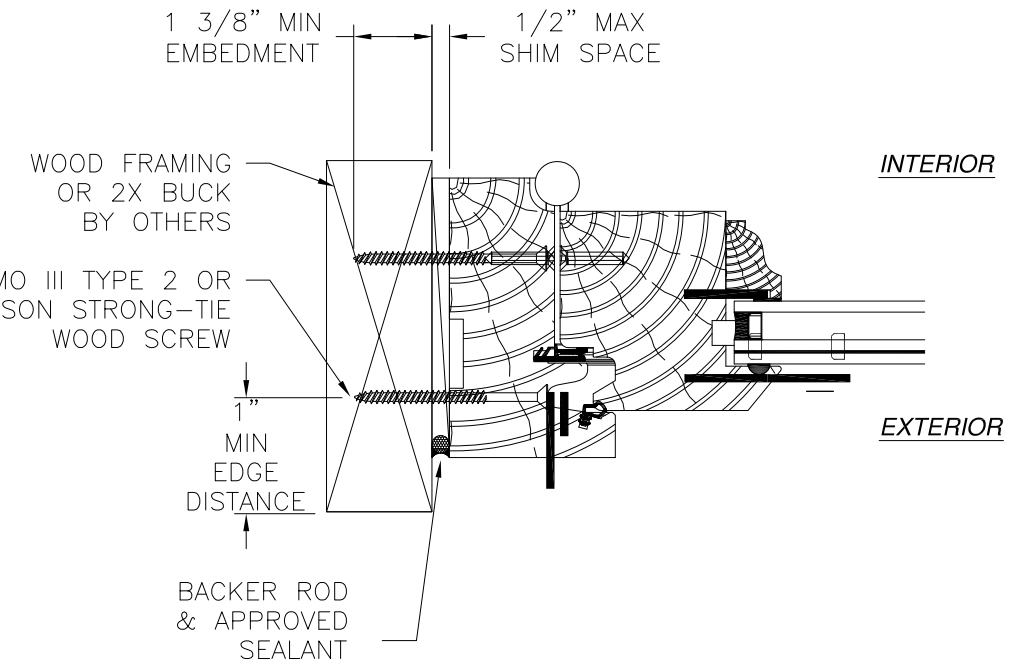


Luis R. Lomas P.E.
FL No.: 62514

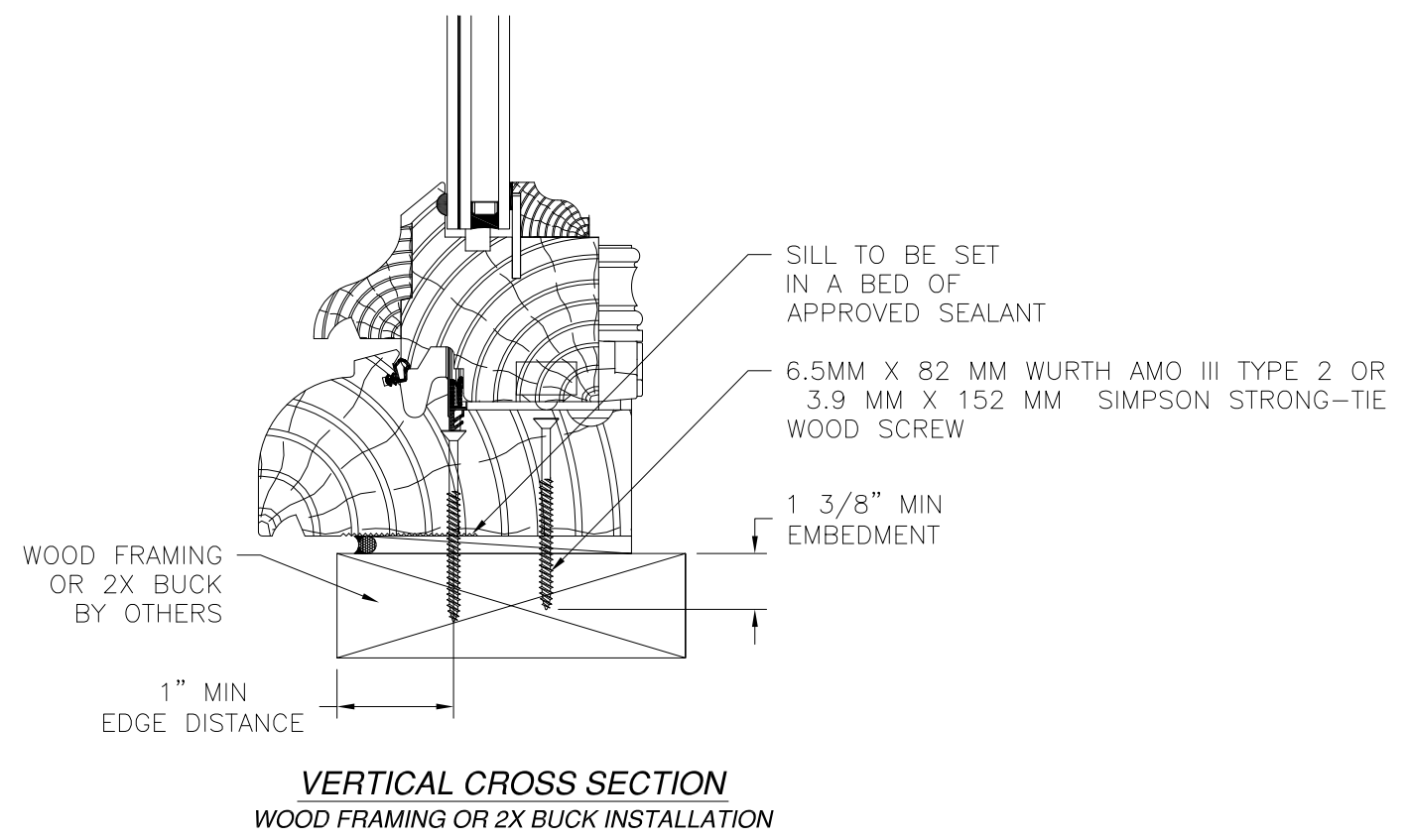
REVISIONS			
REV	DESCRIPTION	DATE	APPROVED



6.5MM X 82 MM WURTH AMO III TYPE 2 OR
3.9 MM X 152 MM SIMPSON STRONG-TIE
WOOD SCREW



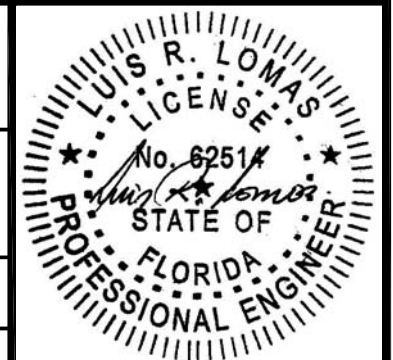
JAMB INSTALLATION DETAIL
WOOD FRAMING OR 2X BUCK INSTALLATION



- NOTES:**
1. INTERIOR AND EXTERIOR FINISHES, BY OTHERS, NOT SHOWN FOR CLARITY.
 2. PERIMETER AND JOINT SEALANT BY OTHERS TO BE DESIGNED IN ACCORDANCE WITH ASTM E2112

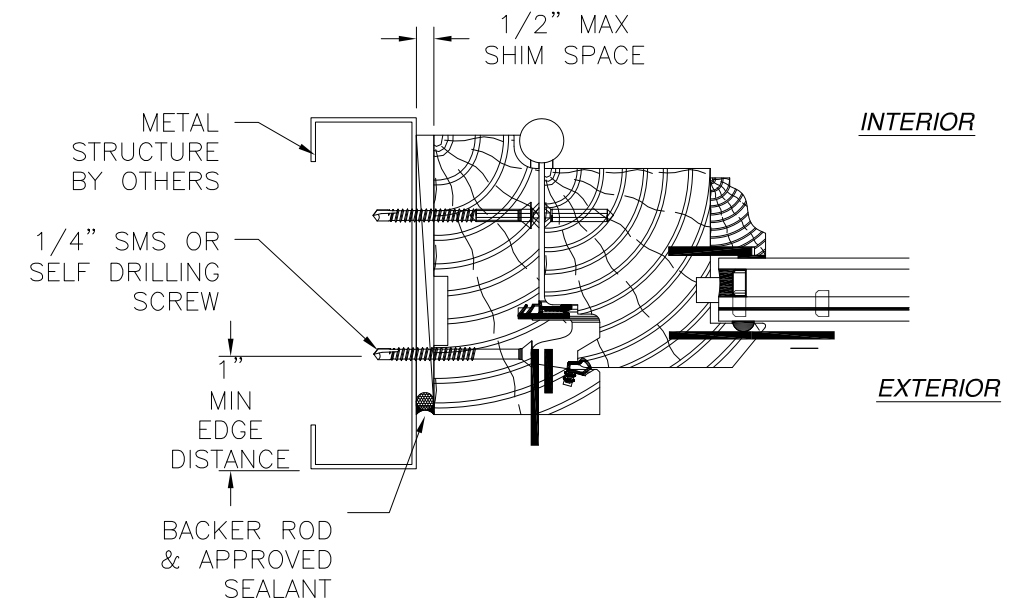
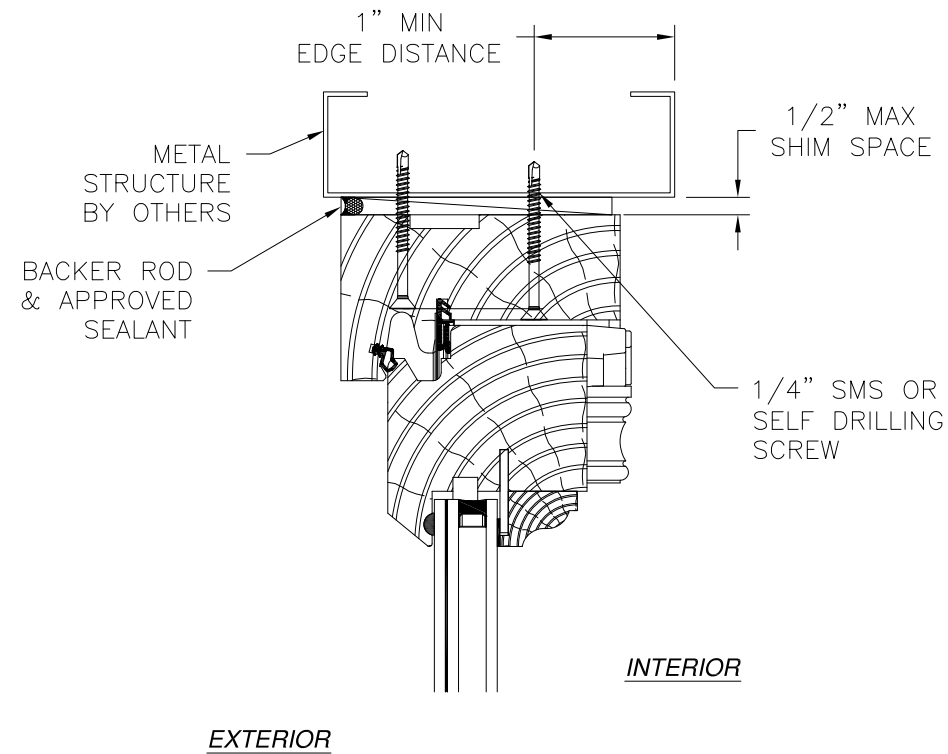
SIGNED: 09/11/2020

ASSELIN INC. 2870 PEACHTREE RD NW #714 ATLANTA, GA 30305		
SERIES INSWING CASEMENT NON-IMPACT INSTALLATION DETAILS		
DRAWN: C.H.	DWG NO. 2051-2020-03	REV -
SCALE NTS	DATE 08/17/2020	SHEET 3 OF 7
L. ROBERTO LOMAS P.E. 1432 WOODFORD RD LEWISVILLE, NC 27023 434-688-0609 rllomas@rlomaspe.com		

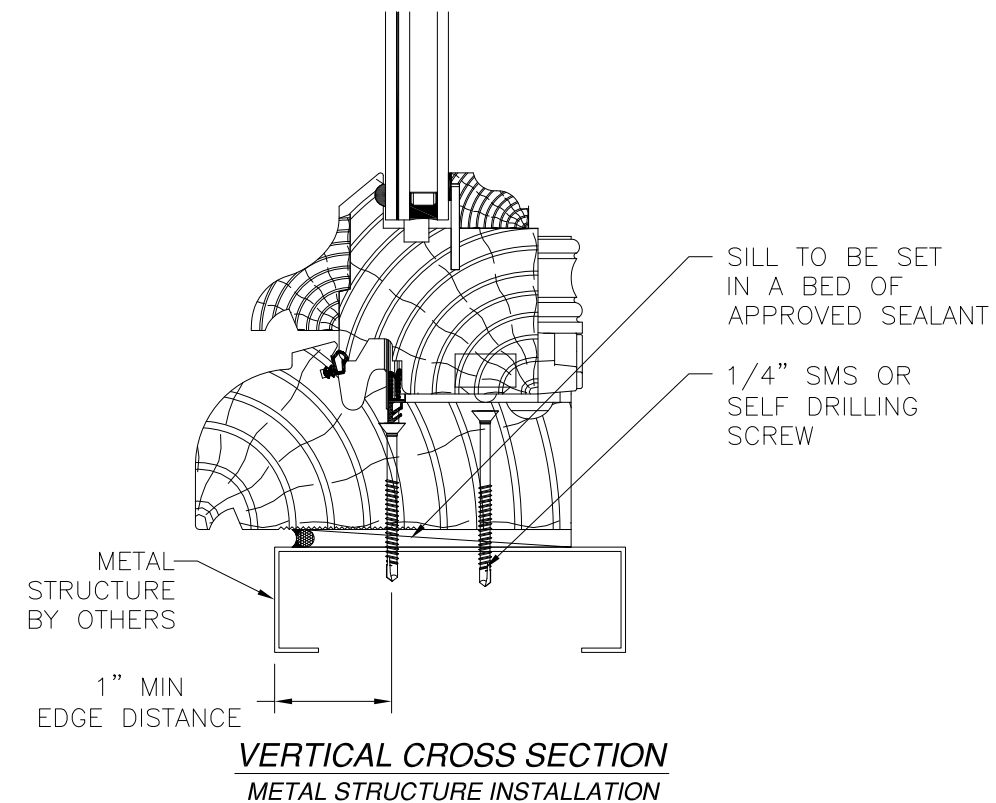


Luis R. Lomas P.E.
FL No.: 62514

REVISIONS			
REV	DESCRIPTION	DATE	APPROVED



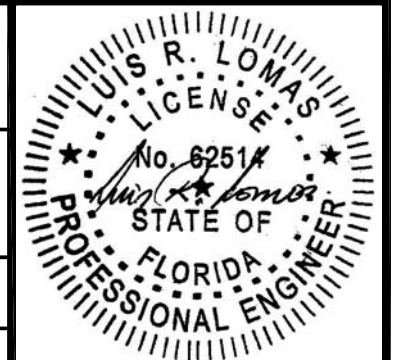
JAMB INSTALLATION DETAIL
METAL STRUCTURE INSTALLATION



- NOTES:**
1. INTERIOR AND EXTERIOR FINISHES, BY OTHERS, NOT SHOWN FOR CLARITY.
 2. PERIMETER AND JOINT SEALANT BY OTHERS TO BE DESIGNED IN ACCORDANCE WITH ASTM E2112

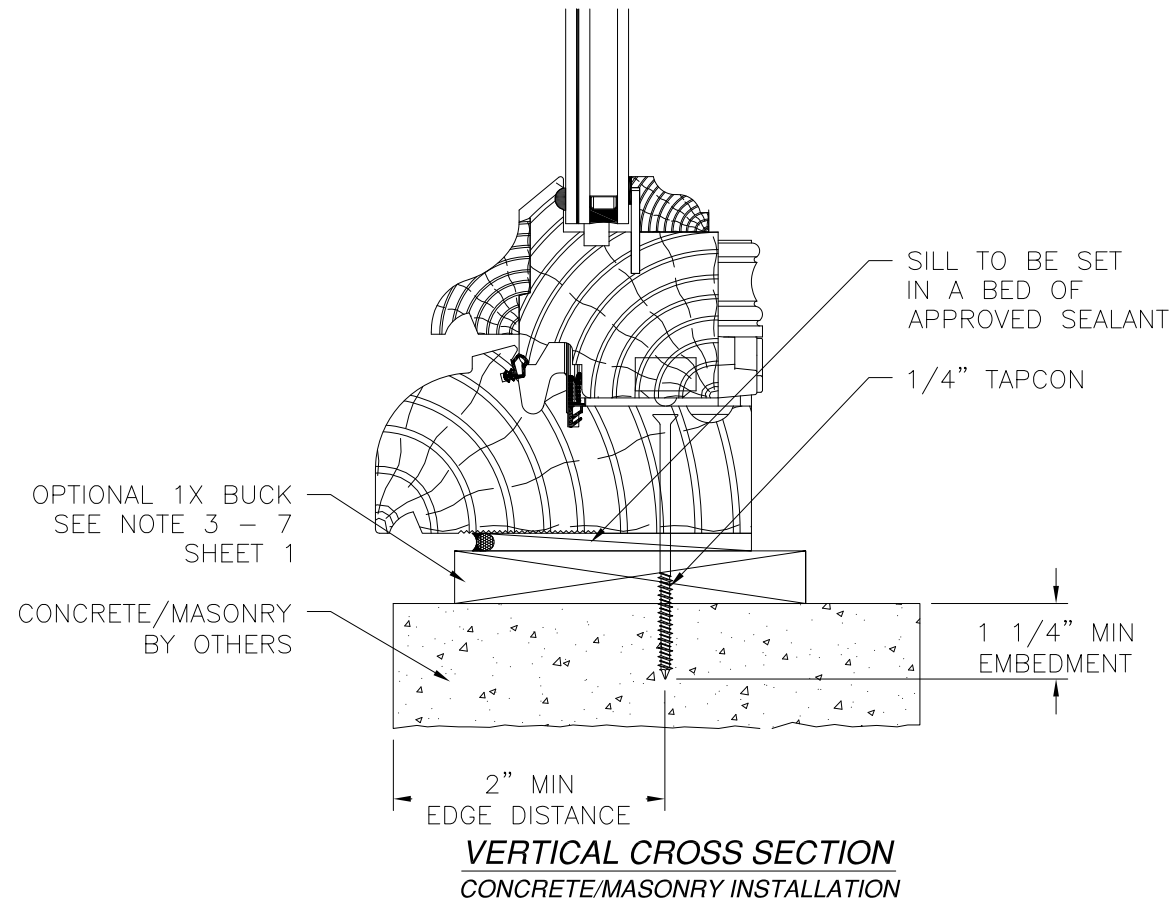
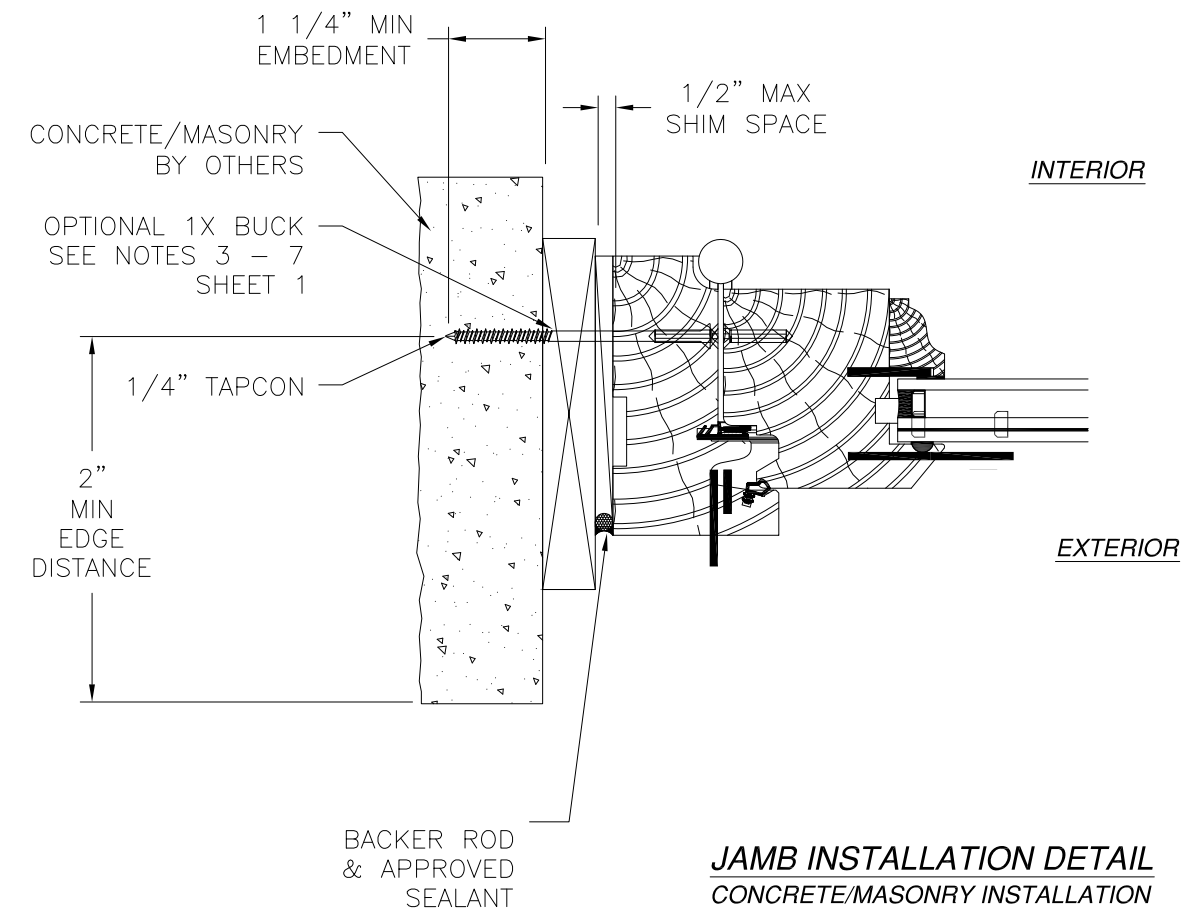
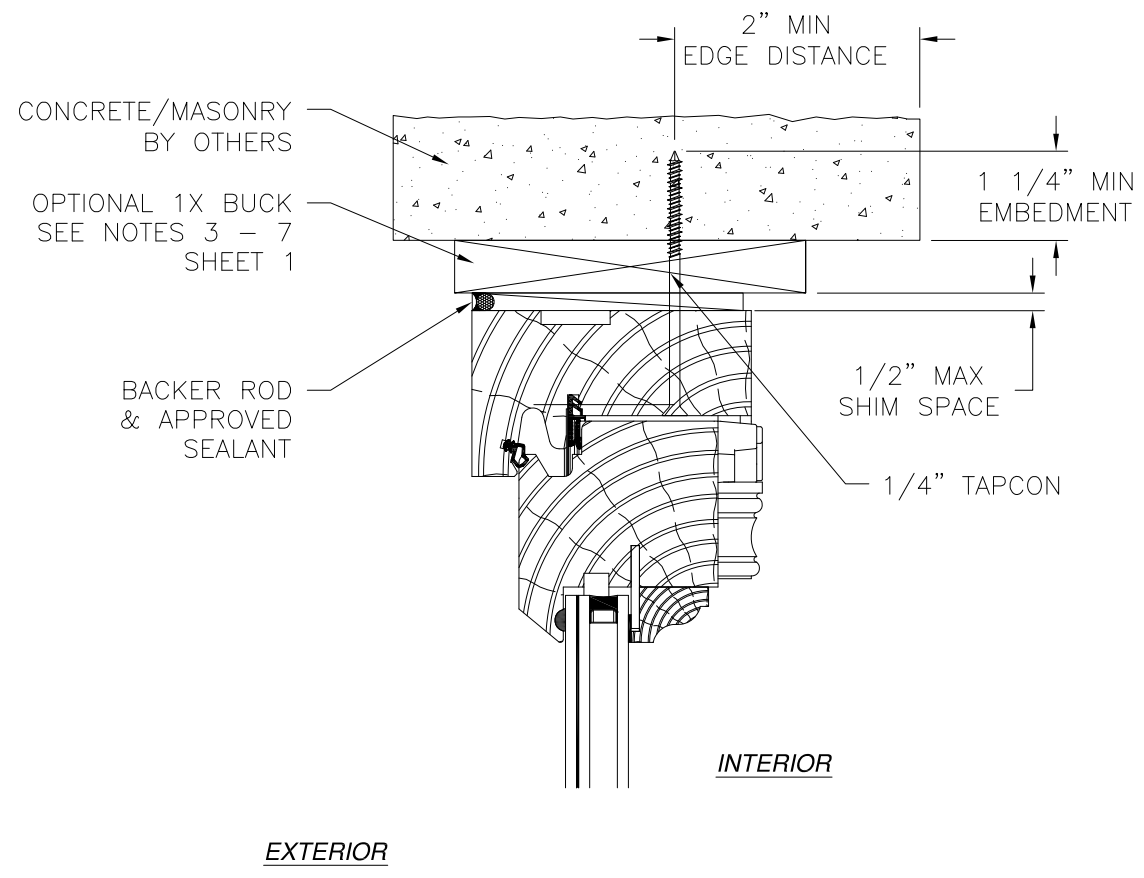
SIGNED: 09/11/2020

ASSELIN INC. 2870 PEACHTREE RD NW #714 ATLANTA, GA 30305		
SERIES INSWING CASEMENT NON-IMPACT INSTALLATION DETAILS		
DRAWN: C.H.	DWG NO. 2051-2020-03	REV -
SCALE NTS	DATE 08/17/2020	SHEET 4 OF 7
L. ROBERTO LOMAS P.E. 1432 WOODFORD RD LEWISVILLE, NC 27023 434-688-0609 rllomas@rlomaspe.com		



Luis R. Lomas P.E.
FL No.: 62514

REVISIONS			
REV	DESCRIPTION	DATE	APPROVED



- NOTES:**
1. INTERIOR AND EXTERIOR FINISHES, BY OTHERS, NOT SHOWN FOR CLARITY.
 2. PERIMETER AND JOINT SEALANT BY OTHERS TO BE DESIGNED IN ACCORDANCE WITH ASTM E2112

ASSELIN INC.
2870 PEACHTREE RD NW #714
ATLANTA, GA 30305

SERIES INSWING CASEMENT
NON-IMPACT
INSTALLATION DETAILS

DRAWN: C.H.	DWG NO. 2051-2020-03	REV -
SCALE NTS	DATE 08/17/2020	SHEET 5 OF 7

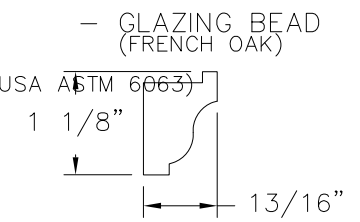
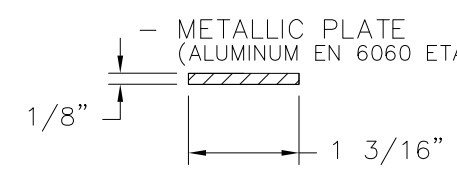
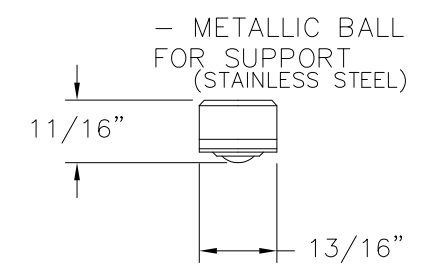
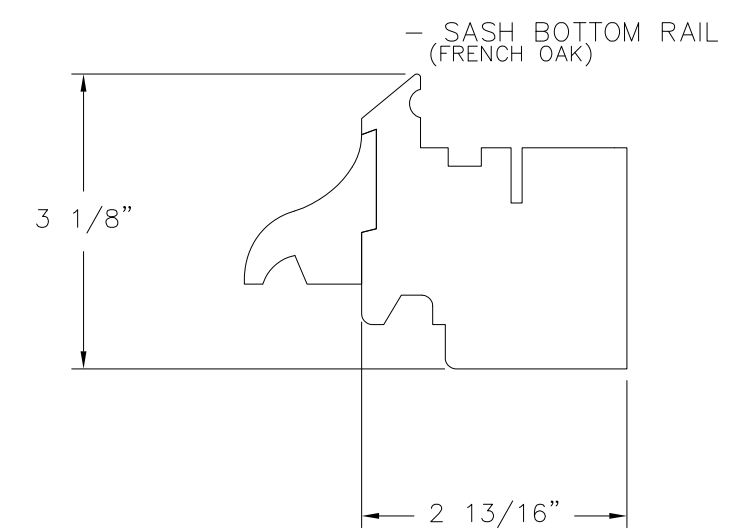
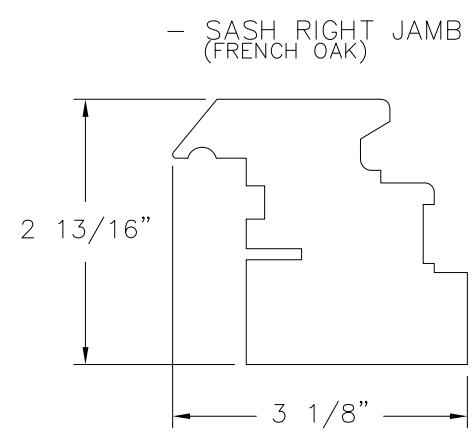
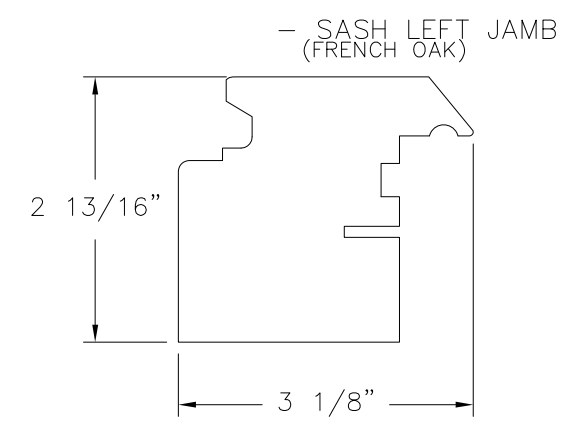
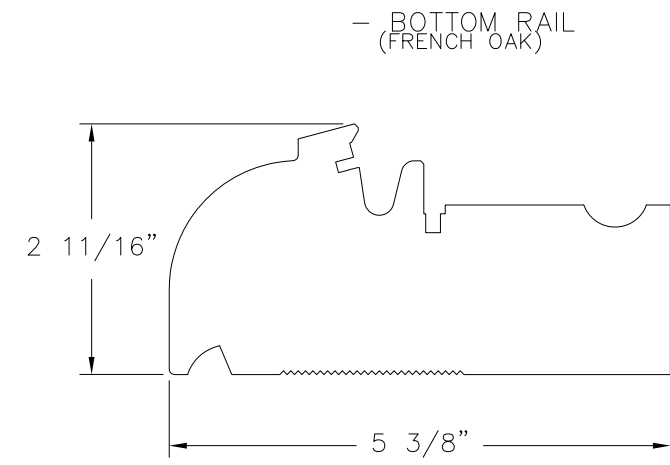
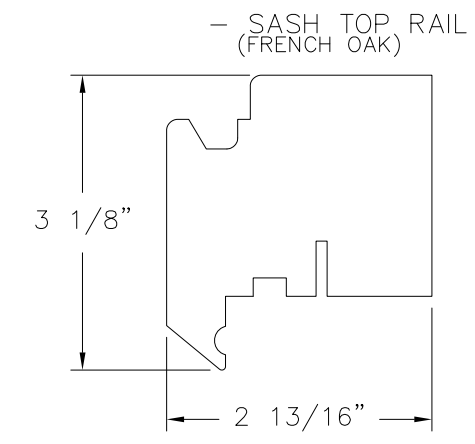
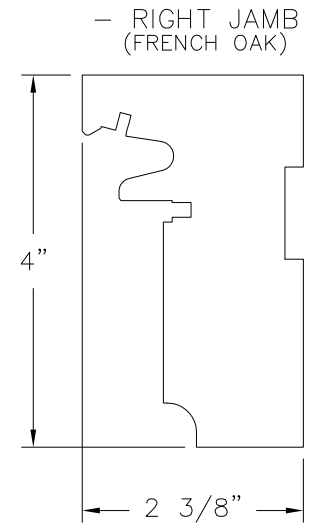
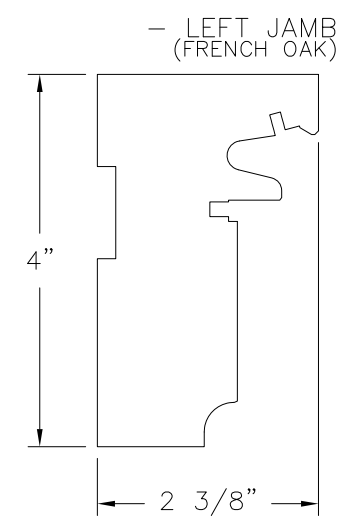
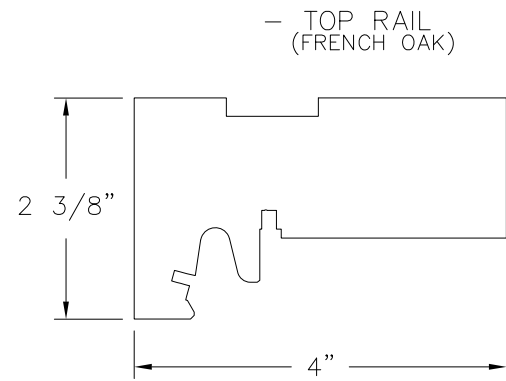
L. ROBERTO LOMAS P.E.
1432 WOODFORD RD LEWISVILLE, NC 27023
434-688-0609 rllomas@rlomaspe.com

SIGNED: 09/11/2020



Luis R. Lomas P.E.
FL No.: 62514

REVISIONS			
REV	DESCRIPTION	DATE	APPROVED



ASSELIN INC.
2870 PEACHTREE RD NW #714
ATLANTA, GA 30305

SERIES INSWING CASEMENT
NON-IMPACT
COMPONENTS

DRAWN: C.H.	DWG NO. 2051-2020-03	REV -
SCALE NTS	DATE 08/17/2020	SHEET 6 OF 7

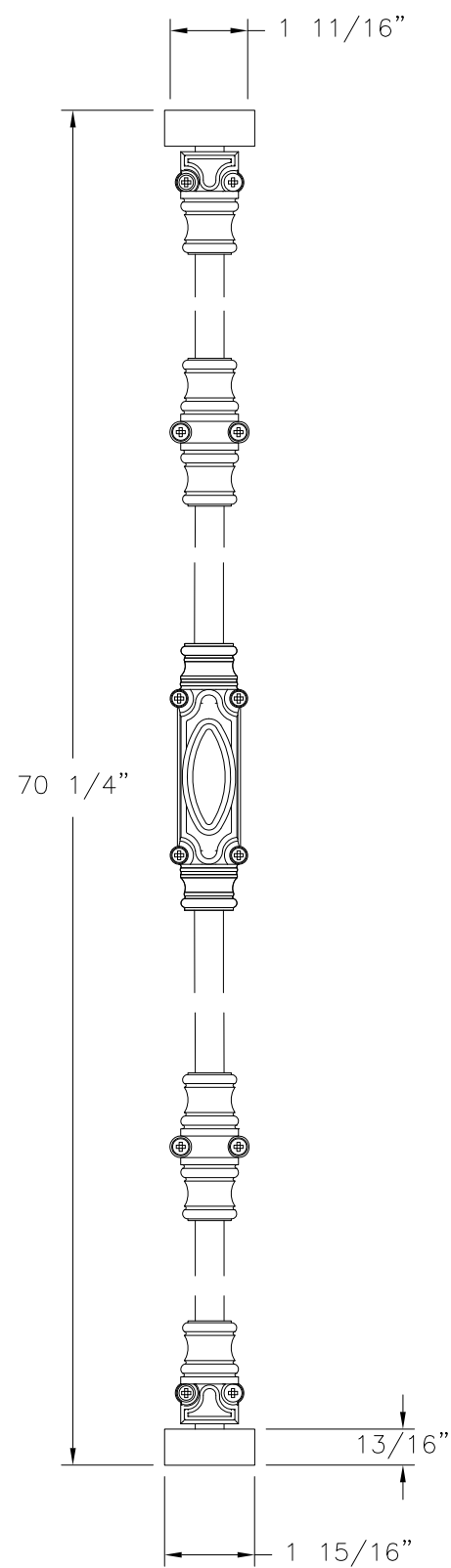
L. ROBERTO LOMAS P.E.
1432 WOODFORD RD LEWISVILLE, NC 27023
434-688-0609 rllomas@rlomaspe.com

SIGNED: 09/11/2020

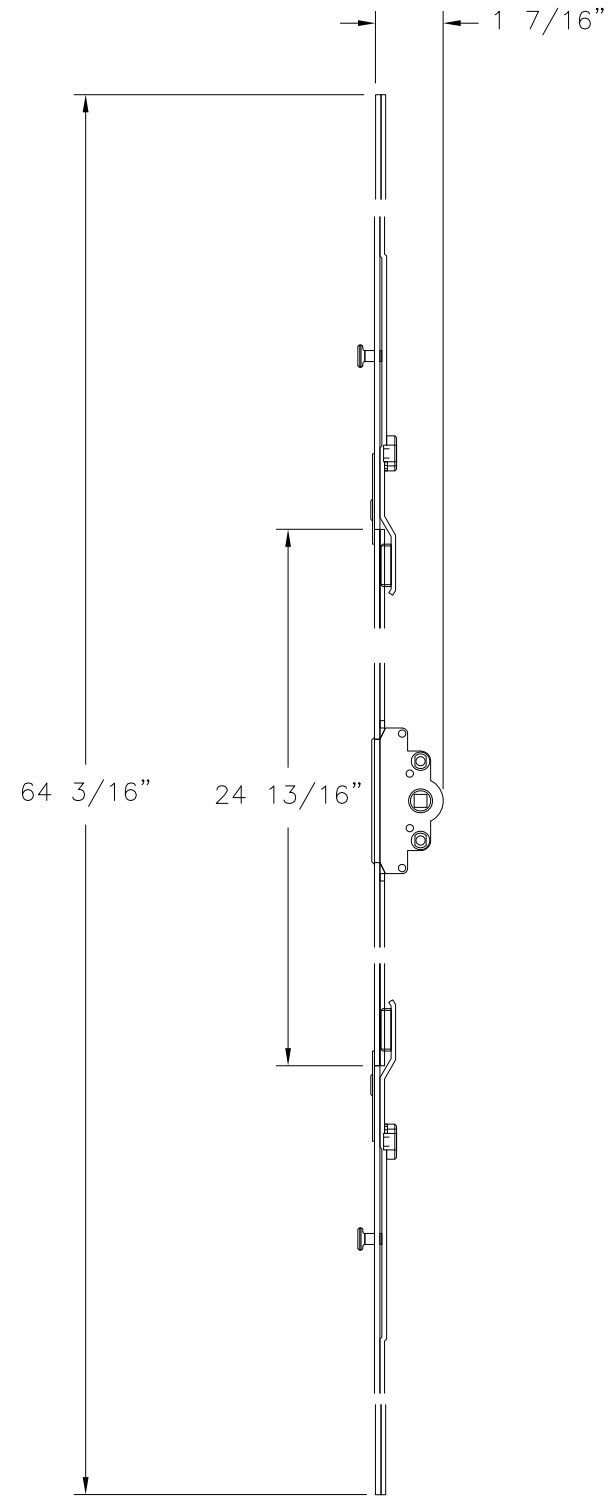


Luis R. Lomas P.E.
FL No.: 62514

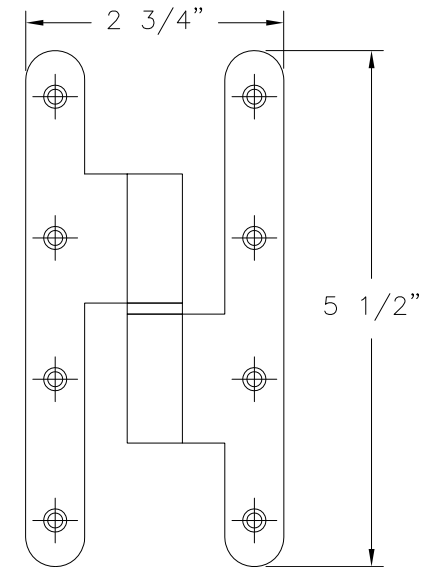
REVISIONS			
REV	DESCRIPTION	DATE	APPROVED



CREMONE
TYPE RG 50 FROM REMY GARNIER



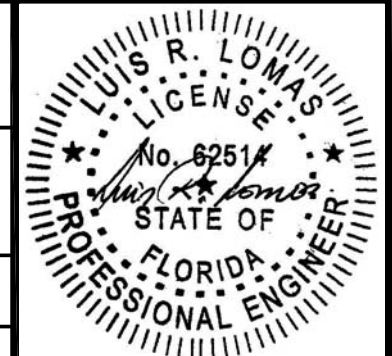
MORTISE CREMONE
TYPE F 25 FROM FERCO



HINGES
TYPE FO LASER FROM FAURE ET FILS

ASSELIN INC. 2870 PEACHTREE RD NW #714 ATLANTA, GA 30305		
SERIES INSWING CASEMENT NON-IMPACT COMPONENTS		
DRAWN: C.H.	DWG NO. 2051-2020-03	REV -
SCALE NTS	DATE 08/17/2020	SHEET 7 OF 7
L. ROBERTO LOMAS P.E. 1432 WOODFORD RD LEWISVILLE, NC 27023 434-688-0609 rllomas@lrlomaspe.com		

SIGNED: 09/11/2020



Luis R. Lomas P.E.
FL No.: 62514