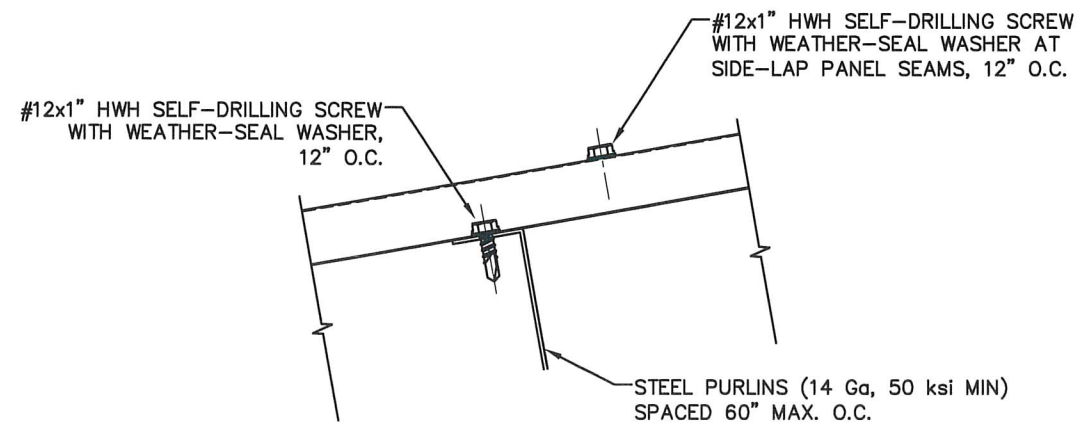
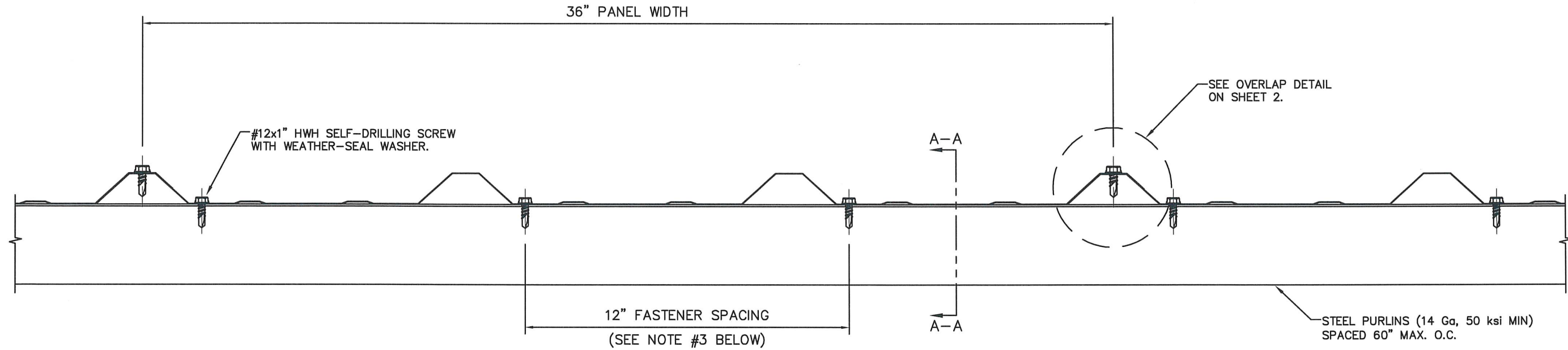


**ARMOUR PBR 26 Ga. STEEL ROOF PANEL**  
**36" WIDE, OVER 14 Ga. (min) STEEL PURLINS**



SECTION A-A

MAX DESIGN PRESSURE
-35 Psf

GENERAL NOTES:

1. ARMOUR PBR PANEL MAY BE INSTALLED DIRECTLY TO STEEL PURLINS, OR INSTALLED OVER EXISTING PBR PANELS.
2. IF INSTALLED OVER EXISTING PANELS, THE EXISTING SCREWS AND ANY DEBRIS MUST BE REMOVED FROM THE EXISTING ROOF. ANY CORROSION IN THE EXISTING ROOF MUST BE TREATED WITH A RUST INHIBITOR PER FBC 1521.8.
3. AT PANEL END-LAPS, PANELS ARE OVERLAPPED 2", SEALED WITH BUTYL TAPE, AND FASTENED WITH #12x1" HWH SELF-DRILLING SCREWS ON EACH SIDE OF RIBS IN A 7"-5"-7" PATTERN.
4. ROOF SLOPE IS LIMITED PER THE REQUIREMENTS OF FBC SECTION 1507.4.2.
5. ALL PANEL SYSTEM PERIMETERS, PENETRATIONS, AND TRANSITIONS TO BE FLASHED AND SEALED PER THE REQUIREMENTS OF RAS 133.

DATE	10/11/23
REV#	8/10/22
PRINTS ISSUED FOR	1ST SUBMITTAL
FOR	2023 CODE UPDATE

SCOTT WOLTERS  
 SEAL No 62354  
 STATE OF FLORIDA  
 PROFESSIONAL ENGINEER  
 OCT 11 2023

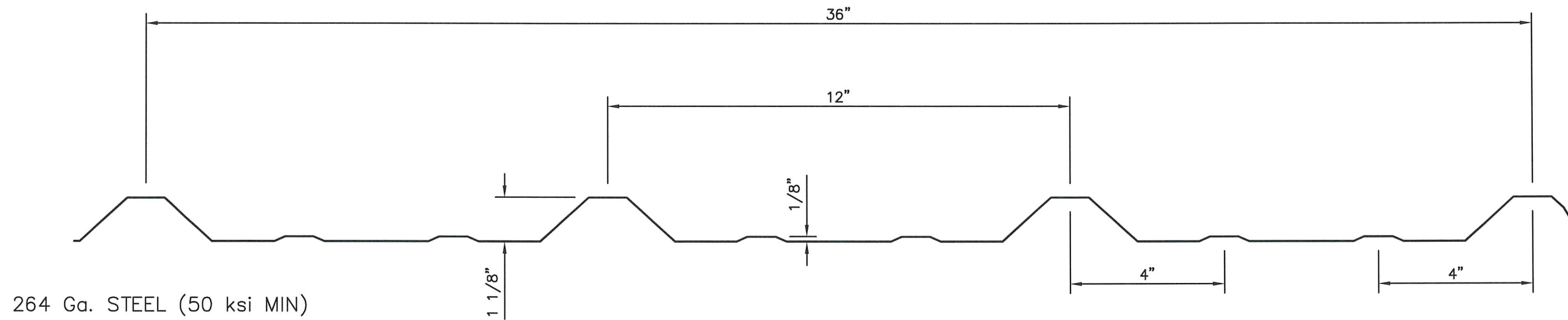
SCOTT WOLTERS  
 FL PE# 62354  
 WOLTERS ENGINEERING  
 (COA# 27194)  
 15211 97TH ROAD N  
 WEST PALM BEACH, FL 33412  
 (561) 225-1982

**1ST COAST METAL ROOFING SUPPLY**

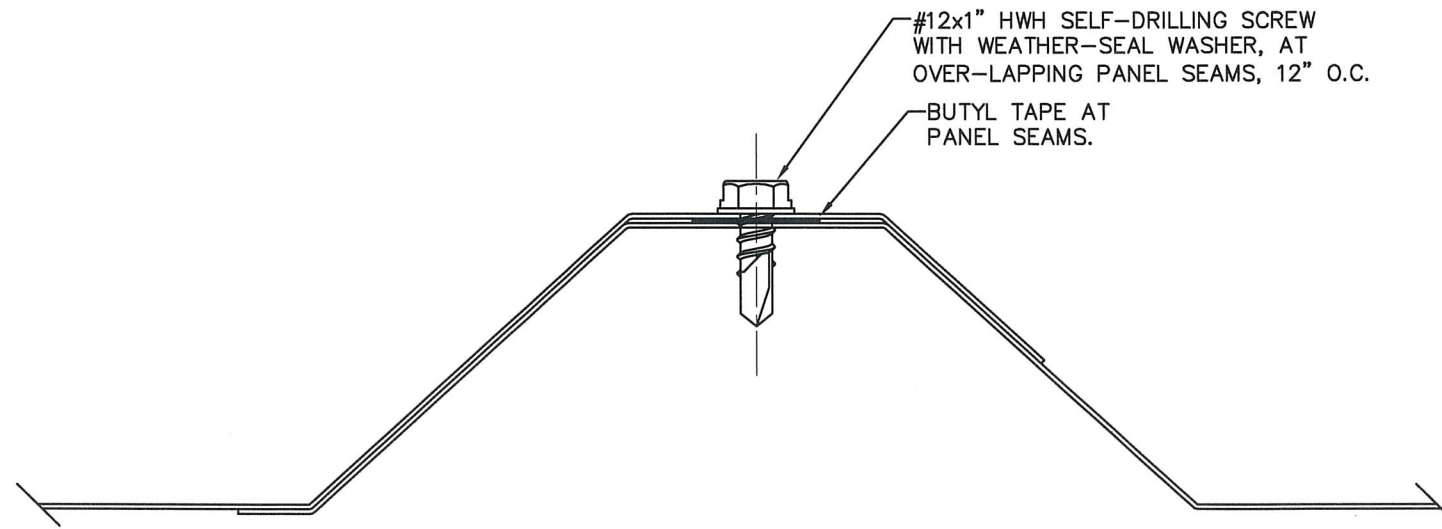
186 STATE ROAD 207  
 EAST PALATKA, FL 32131  
 PH: (561) 629-7288  
 www.1stcoastmrs.com

**1ST COAST METAL ROOFING SUPPLY**  
 DWG: 1C24SPBR  
 SHEET: 1/2

**ARMOUR PBR 26 Ga. STEEL ROOF PANEL,  
36" WIDE, OVER 14 Ga. (min) STEEL PURLINS**



264 Ga. STEEL (50 ksi MIN)



#12x1" HWH SELF-DRILLING SCREW  
WITH WEATHER-SEAL WASHER, AT  
OVER-LAPPING PANEL SEAMS, 12" O.C.

BUTYL TAPE AT  
PANEL SEAMS.

OVERLAP DETAIL  
(1 RIB)

SCOTT WOLTERS  
FL PE# 62354

WOLTERS ENGINEERING  
(COA# 27194)  
15211 97TH ROAD N  
WEST PALM BEACH, FL 33412  
(561) 225-1982

SEAL: [Signature]  
No. 62354

STATE OF FLORIDA  
PROFESSIONAL ENGINEER

10/11/23  
8/10/22

CODE UPDATE  
1ST SUBMITTAL

PRINTS ISSUED FOR REV# DATE

**1ST COAST METAL ROOFING SUPPLY**

PH: (561) 629-7288  
www.1stcoastmrs.com

186 STATE ROAD 207  
EAST PALATKA, FL 32131



DWG: **1C24SPBR**  
SHEET: 2/2