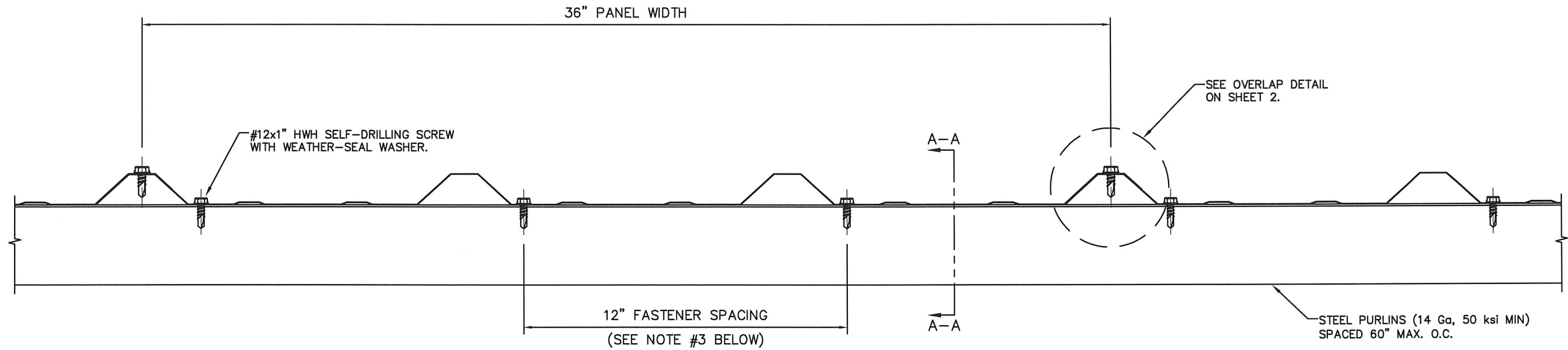
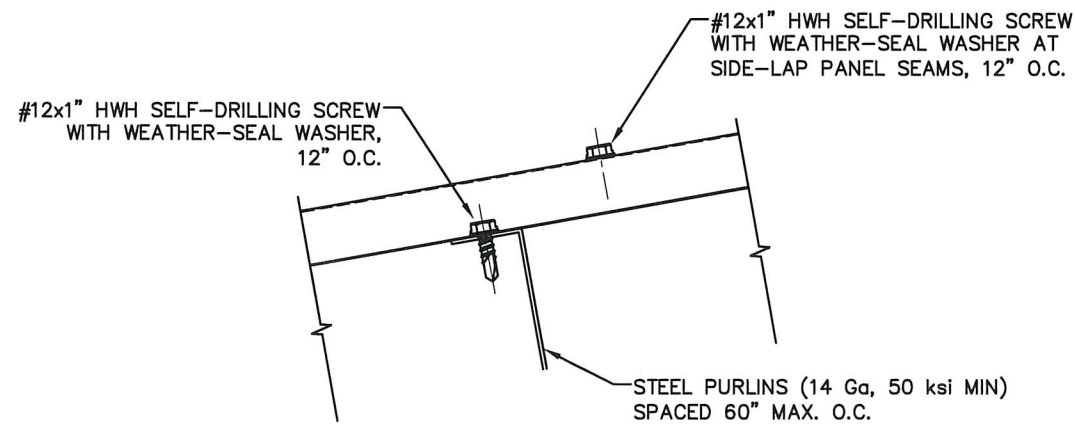


**ARMOUR PBR 26 Ga. STEEL ROOF PANEL
36" WIDE, OVER 14 Ga. (min) STEEL PURLINS**



MAX DESIGN PRESSURE
-35 Psf



SECTION A-A

GENERAL NOTES:

1. ARMOUR PBR PANEL MAY BE INSTALLED DIRECTLY TO STEEL PURLINS, OR INSTALLED OVER EXISTING PBR PANELS.
2. IF INSTALLED OVER EXISTING PANELS, THE EXISTING SCREWS AND ANY DEBRIS MUST BE REMOVED FROM THE EXISTING ROOF. ANY CORROSION IN THE EXISTING ROOF MUST BE TREATED WITH A RUST INHIBITOR PER FBC 1521.8.
3. AT PANEL END-LAPS, PANELS ARE OVERLAPPED 2", SEALED WITH BUTYL TAPE, AND FASTENED WITH #12x1" HWH SELF-DRILLING SCREWS ON EACH SIDE OF RIBS IN A 7"-5"-7" PATTERN.
4. ROOF SLOPE IS LIMITED PER THE REQUIREMENTS OF FBC SECTION 1507.4.2.
5. ALL PANEL SYSTEM PERIMETERS, PENETRATIONS, AND TRANSITIONS TO BE FLASHED AND SEALED PER THE REQUIREMENTS OF RAS 133.

DATE	8/10/22
REV.#	
ISSUED FOR	TST SUBMITTAL
PRINTS	

SCOTT WOLTERS
FL PE# 62354
No. 62354

WOLTERS ENGINEERING
(COA# 27194)
15211 97TH ROAD N
WEST PALM BEACH, FL 33412
(561) 225-1982

STATE OF FLORIDA
AUG 10 2022
PROFESSIONAL ENGINEER

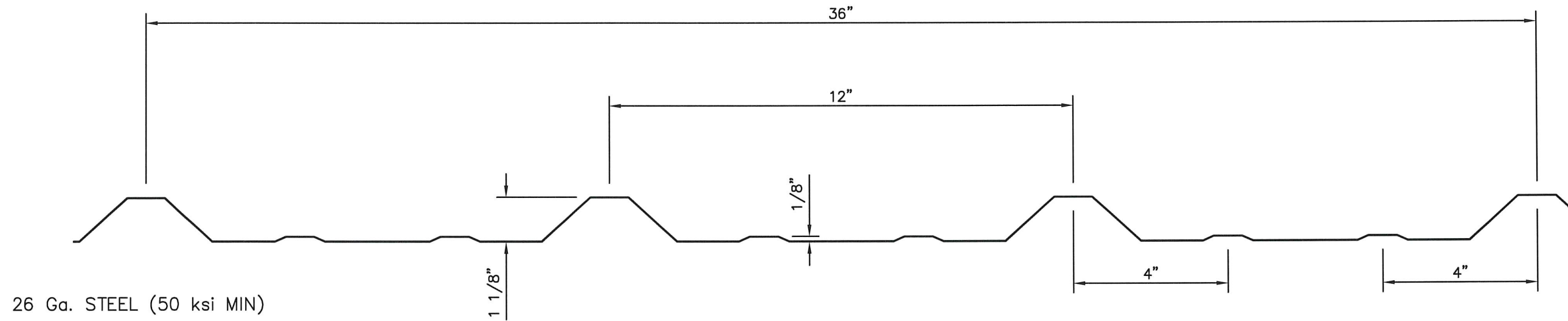
1ST COAST METAL ROOFING SUPPLY

PH: (561) 629-7288
www.1stcoastmrs.com

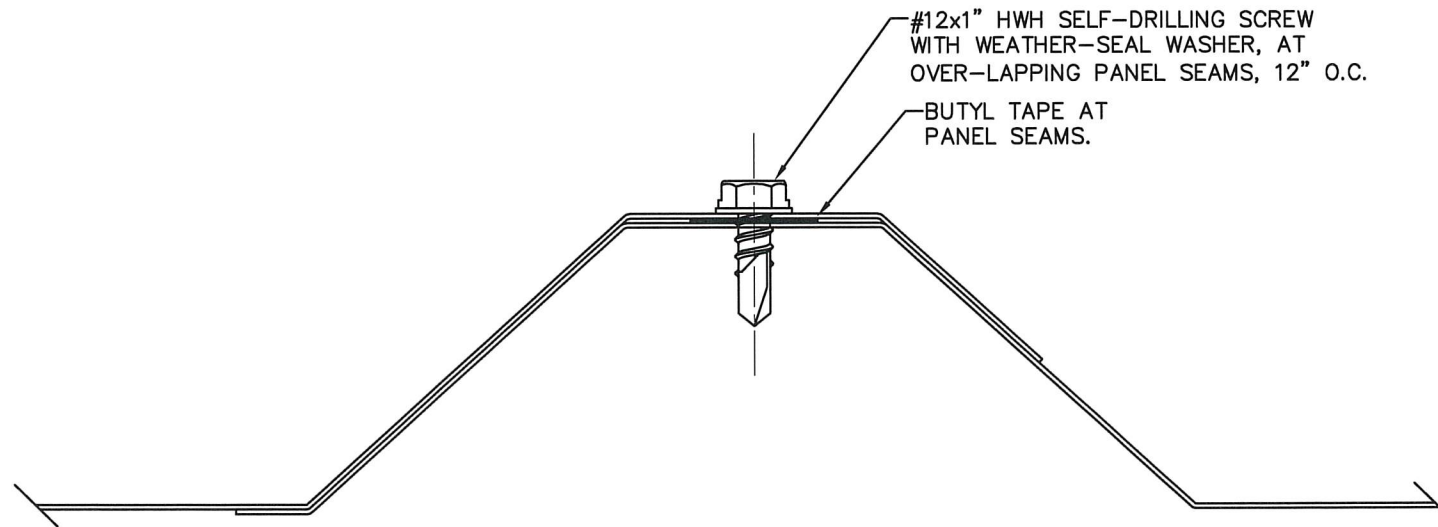
186 STATE ROAD 207
EAST PALATKA, FL 32131

1ST COAST METAL ROOFING SUPPLY
DWG: **1C24SPBR**
SHEET: **1/2**

**ARMOUR PBR 26 Ga. STEEL ROOF PANEL,
36" WIDE, OVER 14 Ga. (min) STEEL PURLINS**



26 Ga. STEEL (50 ksi MIN)



#12x1" HWH SELF-DRILLING SCREW
WITH WEATHER-SEAL WASHER, AT
OVER-LAPPING PANEL SEAMS, 12" O.C.
BUTYL TAPE AT
PANEL SEAMS.

OVERLAP DETAIL
(1 RIB)



REV.#	DATE
1	8/10/22
2	
3	
4	
5	
6	
7	
8	
9	
10	

SCOTT WALTERS
FL. PE# 62354
WALTERS ENGINEERING
(CO.# 27194)
15211 97TH ROAD N
WEST PALM BEACH, FL 33412
(561) 225-1982

1ST COAST METAL ROOFING SUPPLY
PH: (561) 629-7288
www.1stcoastmrs.com
186 STATE ROAD 207
EAST PALATKA, FL 32131

**1ST COAST
METAL ROOFING SUPPLY**
DWG: 1C24SPBR
SHEET: 2/2