

Euro-Wall Systems, LLC

EURO VISTA SLIDE DOOR

(IMPACT) (WZ3)

euro-wall
SUPERIOR BY DESIGN

EURO-WALL SYSTEMS, LLC
24100 TISEO BOULEVARD
PORT CHARLOTTE, FL 33980
PH: 888-989-3876

TITLE: EURO VISTA SLIDE DOOR SYSTEM
(IMPACT) (WZ3)

GENERAL NOTES AND GLAZING DETAILS

PREPARED BY:
BUILDING DROPS, INC.
398 E. DANIA BEACH BLVD., STE. 338
DANIA BEACH, FL 33004
PH: (954)399-8478
FAX: (954)744-4738
WEB: www.buildingdrops.com

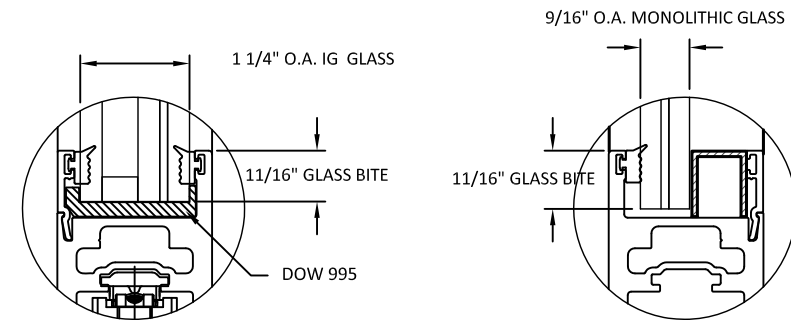


GENERAL NOTES:

- THE PRODUCT SHOWN HEREIN IS DESIGNED AND MANUFACTURED TO COMPLY WITH THE CURRENT FLORIDA BUILDING CODE (FBC), **EXCLUDING** HVHZ AND HAS BEEN EVALUATED ACCORDING TO THE FOLLOWING:
 - TAS 201-94
 - TAS 202-94
 - TAS 203-94
- ADEQUACY OF THE EXISTING STRUCTURAL CONCRETE/MASONRY, 2X AND METAL STUD FRAMING AS A MAIN WIND FORCE RESISTING SYSTEM CAPABLE OF WITHSTANDING AND TRANSFERRING APPLIED PRODUCT LOADS TO THE FOUNDATION IS THE RESPONSIBILITY OF THE ENGINEER OR ARCHITECT OF RECORD FOR THE PROJECT OF INSTALLATION.
- 1X AND 2X BUCKS (WHEN USED) SHALL BE DESIGNED AND ANCHORED TO PROPERLY TRANSFER ALL LOADS TO THE STRUCTURE. BUCK DESIGN AND INSTALLATION IS THE RESPONSIBILITY OF THE ENGINEER OR ARCHITECT OF RECORD FOR THE PROJECT OF INSTALLATION.
- THE INSTALLATION DETAILS DESCRIBED HEREIN ARE GENERIC AND MAY NOT REFLECT ACTUAL CONDITIONS FOR A SPECIFIC SITE. IF SITE CONDITIONS CAUSE INSTALLATION TO DEVIATE FROM THE REQUIREMENTS DETAILED HEREIN, A LICENSED ENGINEER OR ARCHITECT SHALL PREPARE SITE SPECIFIC DOCUMENTS FOR USE WITH THIS DOCUMENT.
- APPROVED IMPACT PROTECTIVE SYSTEM IS **NOT REQUIRED** TO PROTECT THIS PRODUCT IN WIND ZONES 3 OR LESS.
- APPROVED IMPACT PROTECTIVE SYSTEM IS **REQUIRED** TO PROTECT THIS PRODUCT IN WIND ZONES 4.
- DOOR FRAME MATERIAL: *EXTRUDED ALUMINUM (6063-T5)*.
- GLASS MEETS THE REQUIREMENTS OF ASTM E1300 GLASS CHARTS. SEE SHEET 1 FOR GLAZING DETAILS.
- APPROVED CONFIGURATIONS:
 - 2 PANEL - OX, XO, XX
 - 3 PANEL - OOX, XOO, XOX, XXO, OXX, XXX
 - 4 PANEL - OXXO, OXXX, XXXO, OXXP, PXXO, PXXP, XXOO, XOOX, OOX, XXXX
 - 5 PANEL - OXXXP, PXXOX, XXOOO, OOOXX, XXXXX, OXXXX, XXXXO
 - 6 PANEL - OXXXXO, OXXXXP, XXXXXX, XXXOOO, OOOXXX, OOOXXXO, XOOOOX, XXXXXO, OXXXXX, XXXXXX
 - 7 PANEL - XXXXXXX, OXXXXXX, XXXXXXO, OXXXXXO
 - 8 PANEL - OXXXXXXO, OXXXXXXX, XXXXXXXO, XXXXXXXX

POCKET PANELS CAN BE ADDED TO ALL CONFIGURATIONS AND ARE LIMITED AS FOLLOWS: +/-55 PSF FOR UP TO 50 SQUARE FEET AND +/-40 PSF UP TO 70 SQUARE FEET.

TABLE OF CONTENTS		
SHEET	REVISION	SHEET DESCRIPTION
1	-	GENERAL NOTES & GLAZING DETAILS
2	-	ELEVATIONS & PRESSURE TABLE
3	-	ANCHOR LAYOUT
4	-	ELEVATIONS & PRESSURE TABLE
5	-	ANCHOR LAYOUT
6	-	VERTICAL SECTIONS
7	-	HORIZONTAL SECTIONS
8	-	HORIZONTAL SECTIONS
9	-	INSTALLATION NOTES, ANCHOR DETAILS & SCHEDULE



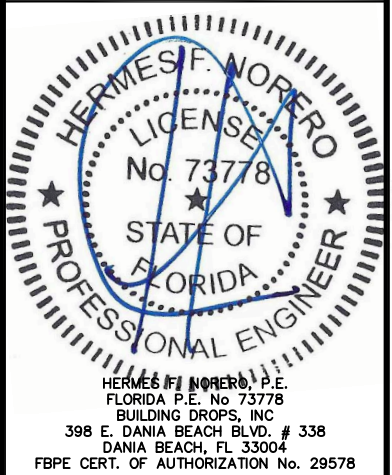
GLAZING DETAIL 1

GLAZING DETAIL 2

NOTE:

- ALL GLAZING CONFIGURATIONS SHALL COMPLY WITH SAFETY GLAZING REQUIREMENTS OUTLINED IN CURRENT FBC AND ASTM E 1300 GLASS CHART REQUIREMENTS.
- SETTING BLOCK SHOULD BE 70-90 DUROMETER AS PER CH 24 OF THE CURRENT FBC.
- GLASS LITES THAT EXCEED 36" IN WIDTH SHALL USE SETTING BLOCKS AT 1/4 SPAN FROM CORNERS.

THIS DOCUMENT IS THE PROPERTY OF BUILDING DROPS, INC. AND SHALL NOT BE REPRODUCED IN WHOLE OR PART WITHOUT WRITTEN CONSENT OF BUILDING DROPS, INC. ALTERATIONS, ADDITIONS, HIGHLIGHTING, OR OTHER MARKINGS TO THIS DOCUMENT ARE NOT PERMITTED AND INVALIDATE OUR CERTIFICATION.



FL #:

FL27423

DATE: **06.13.18**

DWG. BY: **EG** CHK. BY: **HFN**

SCALE: **NTS**

DWG. #: **EWS011**

SHEET:

1

OF 9

s:\projects\eurowall systems\fb-18-0417 - fbc submittal - lift and slide door - impact\dwg\ews011.dwg 6/19/2018 11:00 PM

TITLE: EURO VISTA SLIDE DOOR SYSTEM
(IMPACT) (WZ3)

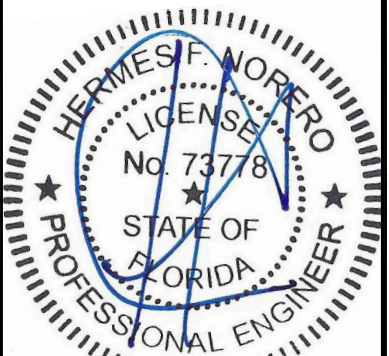
ELEVATION & PRESSURE TABLE

PREPARED BY:
BUILDING DROPS, INC.
398 E. DANIA BEACH BLVD., STE. 338
DANIA BEACH, FL 33004
PH: (954)399-8478
FAX: (954)744-4738
WEB: www.buildingdrops.com



REMARKS	BY	DATE

THIS DOCUMENT IS THE PROPERTY OF BUILDING DROPS, INC. AND SHALL NOT BE REPRODUCED IN WHOLE OR PART WITHOUT WRITTEN CONSENT OF BUILDING DROPS, INC. ALTERATIONS, ADDITIONS, HIGHLIGHTING, OR OTHER MARKINGS TO THIS DOCUMENT ARE NOT PERMITTED AND INVALIDATE OUR CERTIFICATION.



HERMES F. NORERO, P.E.
FLORIDA P.E. No. 73778
BUILDING DROPS, INC.
398 E. DANIA BEACH BLVD. # 338
DANIA BEACH, FL 33004
FBPE CERT. OF AUTHORIZATION No. 29578

FL #: **FL27423**

DATE: **06.13.18**

DWG. BY: **EG** CHK. BY: **HFN**

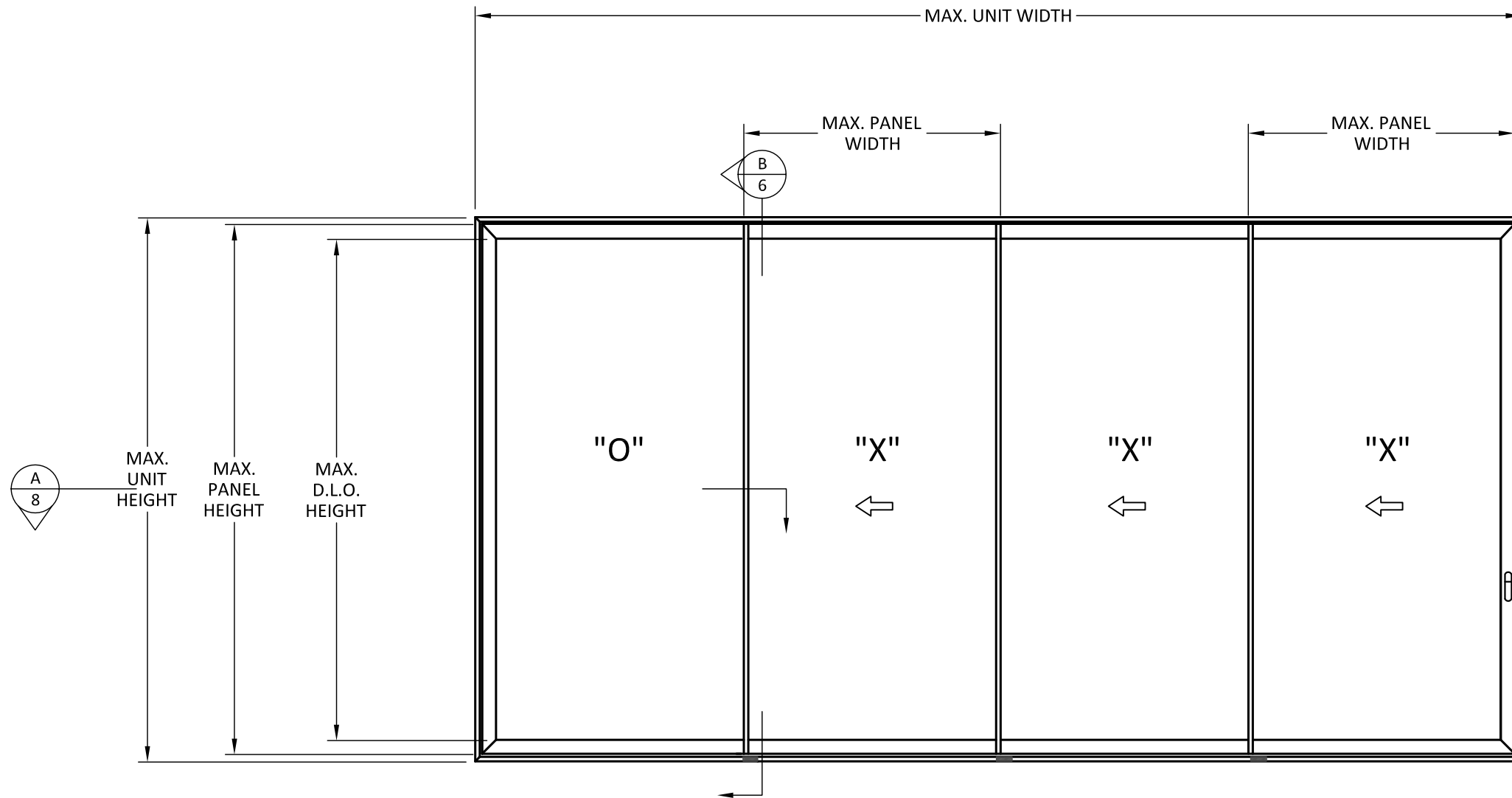
SCALE: **NTS**

DWG. #: **EWS011**

SHEET:

2

OF 9



ELEVATION

DESIGN PRESSURE TABLE (psf)

PANEL HEIGHT (INCHES)	PANEL WIDTH (INCHES)															
	30	32	36	40	44	48	50	56	60	66	72	78	84	90	96	
72	70.0	70.0	70.0	70.0	70.0	70.0	70.0	70.0	70.0	70.0	70.0	70.0	70.0	70.0	70.0	
78	70.0	70.0	70.0	70.0	70.0	70.0	70.0	70.0	70.0	70.0	70.0	70.0	70.0	70.0	48.1	
84	70.0	70.0	70.0	70.0	70.0	70.0	70.0	70.0	70.0	70.0	70.0	70.0	70.0	51.3	48.1	
90	70.0	70.0	70.0	70.0	70.0	70.0	70.0	70.0	70.0	70.0	70.0	70.0	55.0	51.3	48.1	
96	70.0	70.0	70.0	70.0	70.0	70.0	70.0	70.0	70.0	70.0	70.0	55.0	55.0	51.3	48.1	
102	70.0	70.0	70.0	70.0	70.0	70.0	70.0	70.0	70.0	70.0	55.0	55.0	55.0	51.3	48.1	
108	70.0	70.0	70.0	70.0	70.0	70.0	70.0	70.0	70.0	70.0	55.0	55.0	55.0	51.3		
114	70.0	70.0	70.0	70.0	70.0	70.0	70.0	70.0	70.0	55.0	55.0	55.0	55.0			
120	70.0	70.0	70.0	70.0	70.0	70.0	70.0	70.0	70.0	55.0	55.0	55.0	55.0			
126	70.0	70.0	70.0	70.0	70.0	70.0	70.0	70.0	64.2	55.0	55.0	51.6	48.8			
132	70.0	70.0	70.0	70.0	68.6	63.4	61.2	55.0	55.0	55.0	44.3					
138	70.0	70.0	70.0	65.3	59.8	55.2	53.3	54.3	51.2	47.4	38.4					
144	70.0	70.0	63.3	57.3	52.4	48.4	45.7	41.3	38.9	35.9						

- DESIGN PRESSURE NOTES:**
- DESIGN PRESSURE SHALL BE LIMITED TO VALUES LISTED IN ABOVE TABLE BASED ON PANEL SIZE.
 - ALL POCKET PANELS HAVE A MAXIMUM DESIGN PRESSURE OF +/- 55 PSF UP TO 50 SQUARE FOOT PANELS AND +/- 40 PSF UP TO 70 SQUARE FOOT PANELS

6/19/2018 11:00 PM s:\projects\euro-wall systems\fb-18-0417 - fbc submittal - lift and slide door - impact\dwg\ews011.dwg

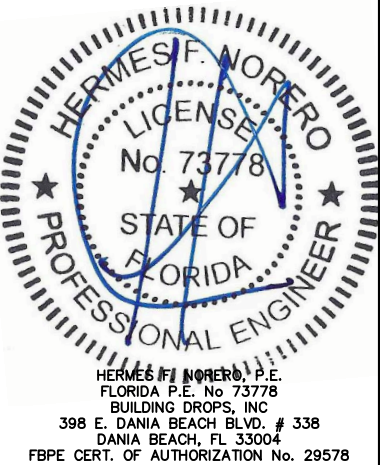
TITLE: EURO VISTA SLIDE DOOR SYSTEM
(IMPACT) (WZ3)
ANCHOR LAYOUT

PREPARED BY:
BUILDING DROPS, INC.
398 E. DANIA BEACH BLVD., STE. 338
DANIA BEACH, FL 33004
PH: (954)399-8478
FAX: (954)744-4738
WEB: www.buildingdrops.com



REMARKS	BY	DATE

THIS DOCUMENT IS THE PROPERTY OF BUILDING DROPS, INC. AND SHALL NOT BE REPRODUCED IN WHOLE OR PART WITHOUT WRITTEN CONSENT OF BUILDING DROPS, INC. ALTERATIONS, ADDITIONS, HIGHLIGHTING, OR OTHER MARKINGS TO THIS DOCUMENT ARE NOT PERMITTED AND INVALIDATE OUR CERTIFICATION.



HERMES F. NORERO, P.E.
FLORIDA P.E. No. 73778
BUILDING DROPS, INC.
398 E. DANIA BEACH BLVD. # 338
DANIA BEACH, FL 33004
FBPE CERT. OF AUTHORIZATION No. 29578

FL #: **FL27423**

DATE: **06.13.18**

DWG. BY: **EG** CHK. BY: **HFN**

SCALE: **NTS**

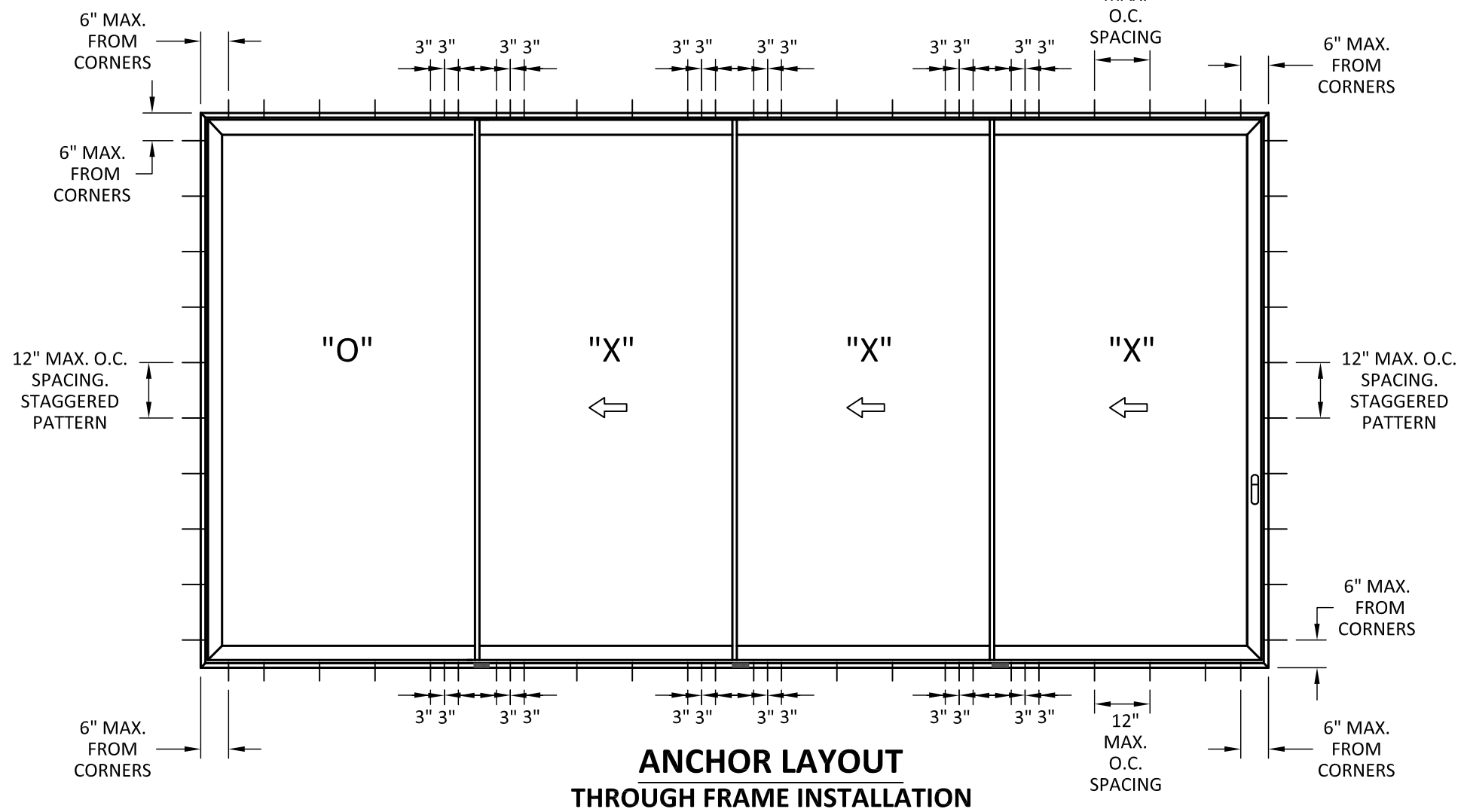
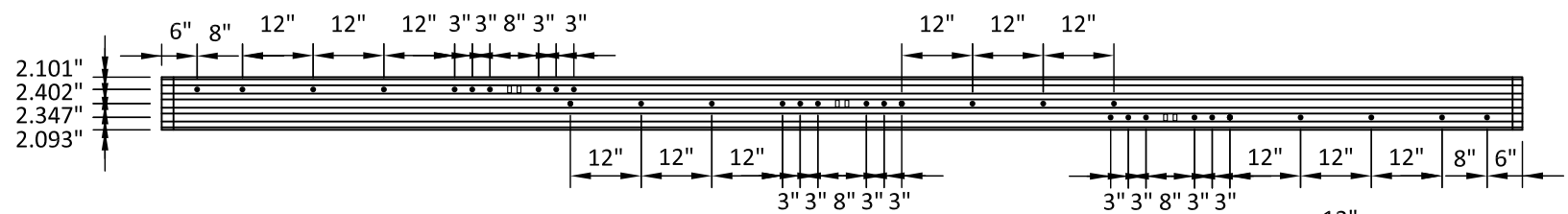
DWG. #: **EWS011**

SHEET:

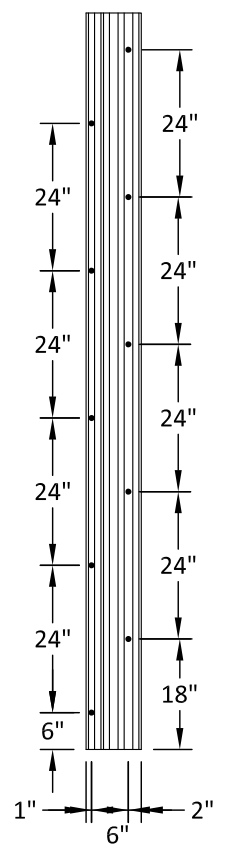
3

OF 9

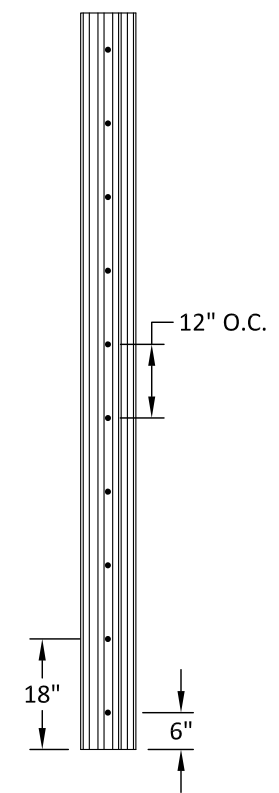
HEADER LAYOUT



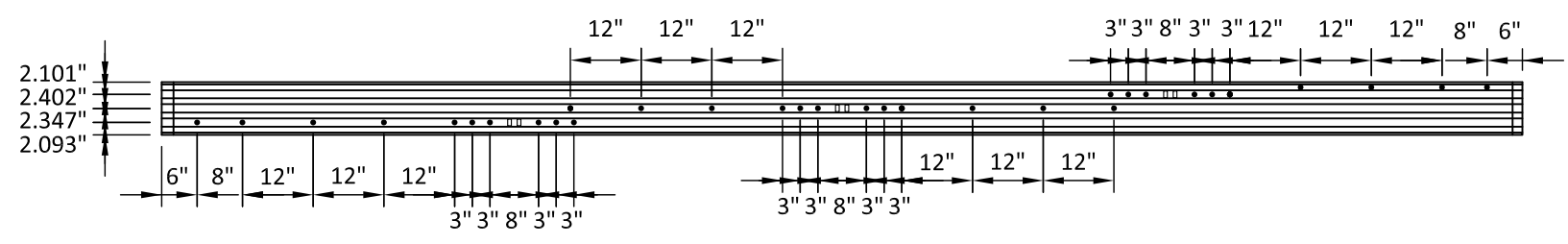
ANCHOR LAYOUT THROUGH FRAME INSTALLATION



JAMB LAYOUT



HOOK-STRIP



SILL LAYOUT

TITLE: EURO VISTA SLIDE DOOR SYSTEM
(IMPACT) (WZ3)

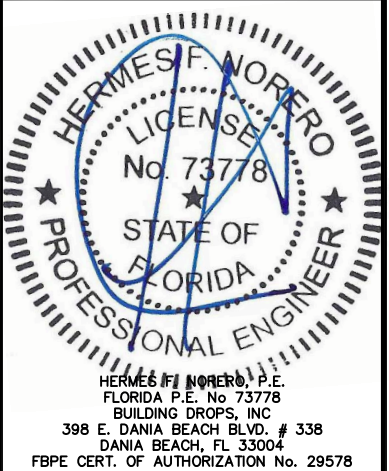
ELEVATION & PRESSURE TABLE

PREPARED BY:
BUILDING DROPS, INC.
398 E. DANIA BEACH BLVD., STE. 338
DANIA BEACH, FL 33004
PH: (954)399-8478
FAX: (954)744-4738
WEB: www.buildingdrops.com



REMARKS	BY	DATE

THIS DOCUMENT IS THE PROPERTY OF BUILDING DROPS, INC. AND SHALL NOT BE REPRODUCED IN WHOLE OR PART WITHOUT WRITTEN CONSENT OF BUILDING DROPS, INC. ALTERATIONS, ADDITIONS, HIGHLIGHTING, OR OTHER MARKINGS TO THIS DOCUMENT ARE NOT PERMITTED AND INVALIDATE OUR CERTIFICATION.



FL #: **FL27423**

DATE: **06.13.18**

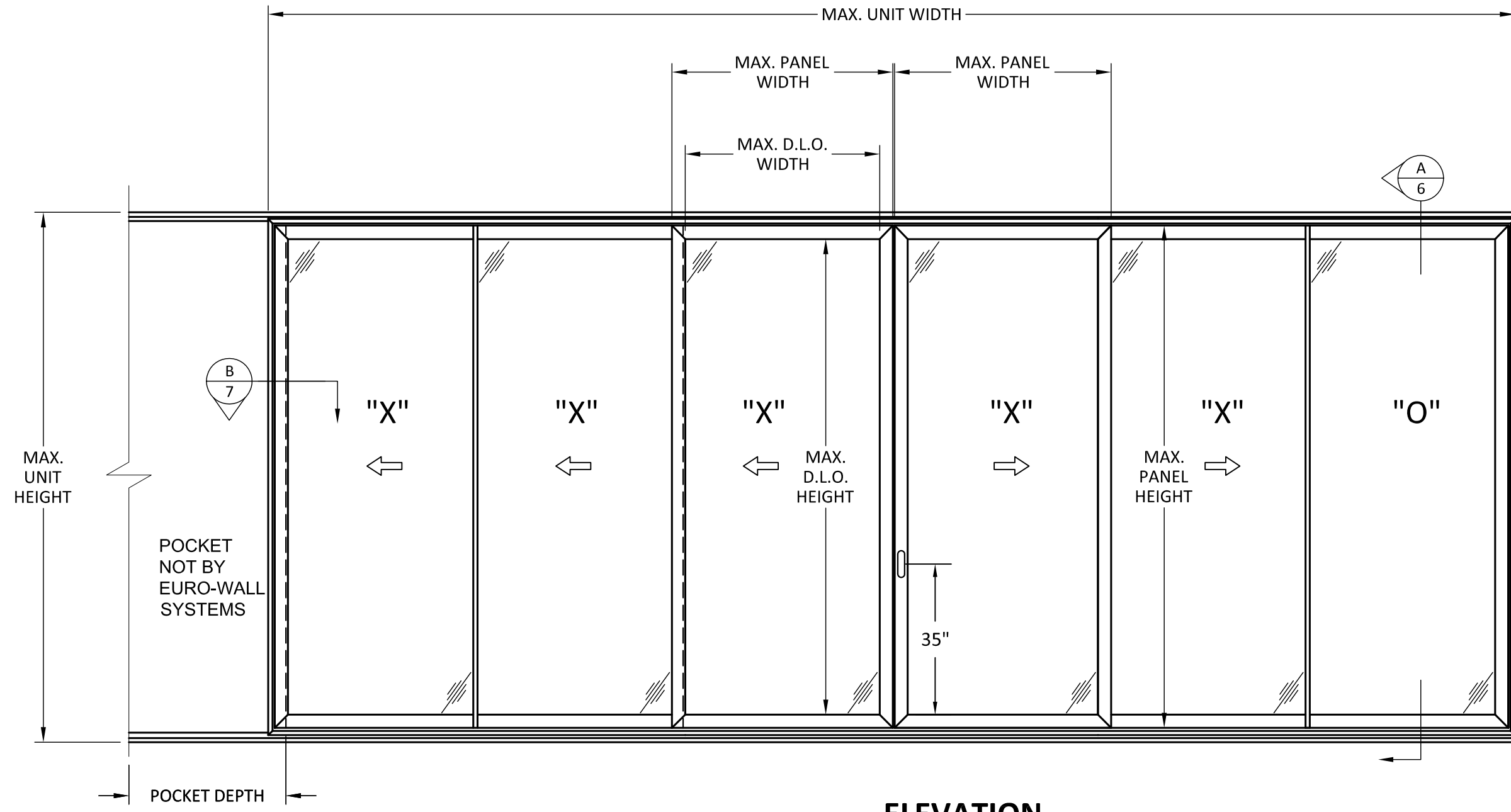
DWG. BY: **EG** CHK. BY: **HFN**

SCALE: **NTS**

DWG. #: **EWS011**

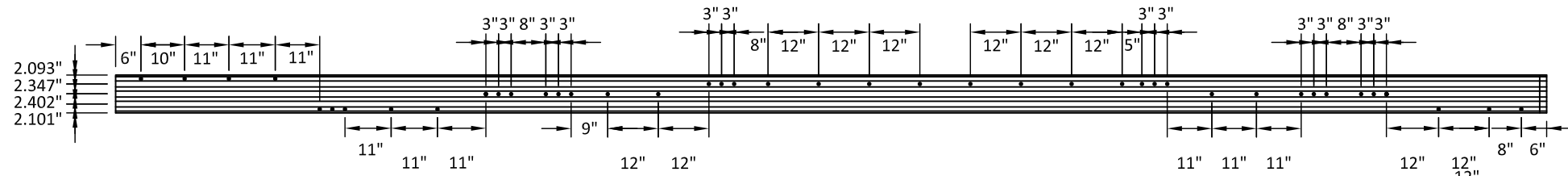
SHEET: **4**

s:\projects\eurowall systems\bc-18-0417 - fbc submittal - lift and slide door - impact\dwg\ews011.dwg 6/19/2018 11:00 PM

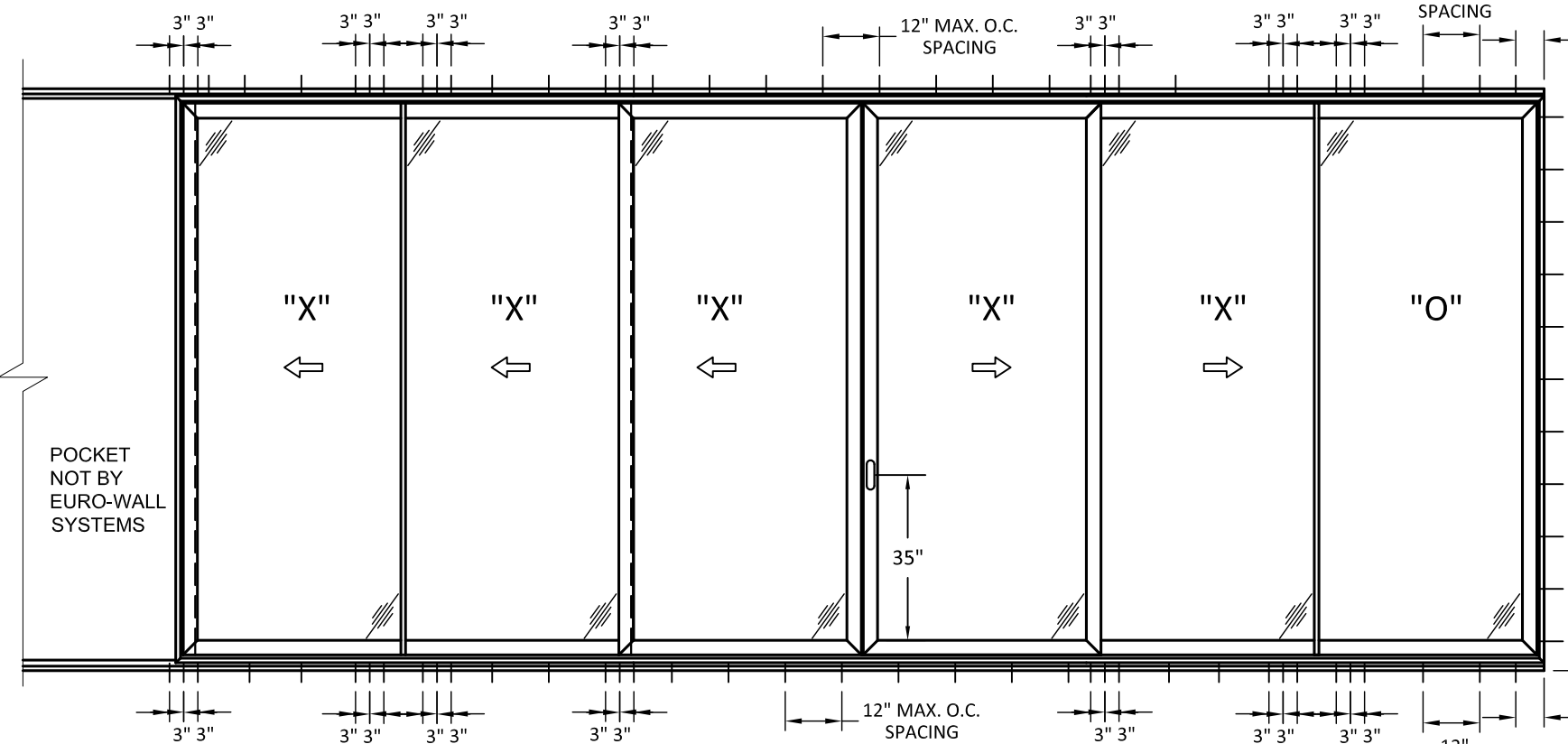


ELEVATION

HEADER LAYOUT



ANCHOR LAYOUT

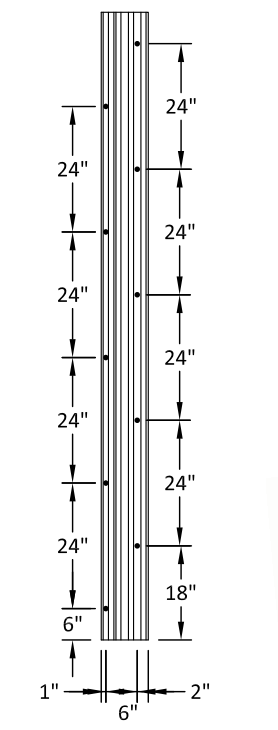


12" MAX. O.C. SPACING. STAGGERED PATTERN

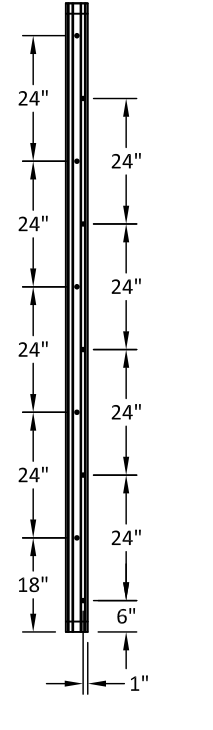
6" MAX. FROM CORNERS

6" MAX. FROM CORNERS

JAMB LAYOUT

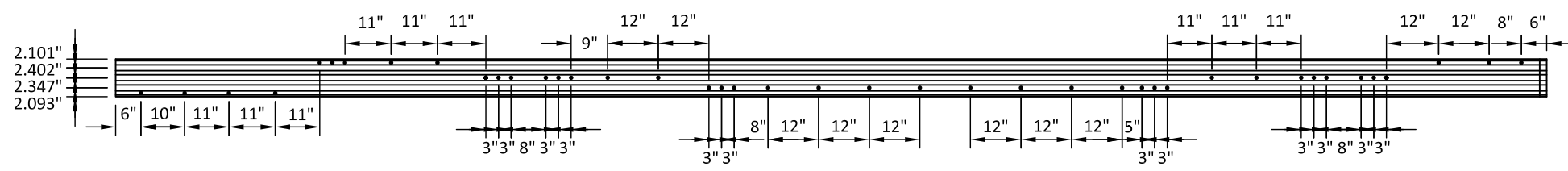


JAMB LAYOUT



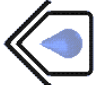
ANCHOR LAYOUT THROUGH FRAME INSTALLATION

SILL LAYOUT



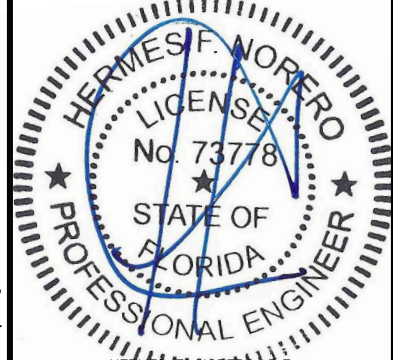
TITLE: EURO VISTA SLIDE DOOR SYSTEM (IMPACT) (WZ3)

ANCHOR LAYOUT

PREPARED BY:  **BUILDING DROPS, INC.**
398 E. DANIA BEACH BLVD., STE. 338
DANIA BEACH, FL 33004
PH: (954)399-8478
FAX: (954)744-4738
WEB: www.buildingdrops.com

REMARKS	BY	DATE

THIS DOCUMENT IS THE PROPERTY OF BUILDING DROPS, INC. AND SHALL NOT BE REPRODUCED IN WHOLE OR PART WITHOUT WRITTEN CONSENT OF BUILDING DROPS, INC. ALTERATIONS, ADDITIONS, HIGHLIGHTING, OR OTHER MARKINGS TO THIS DOCUMENT ARE NOT PERMITTED AND INVALIDATE OUR CERTIFICATION.



HERMES F. NORERO, P.E.
FLORIDA P.E. No. 73778
BUILDING DROPS, INC.
398 E. DANIA BEACH BLVD. # 338
DANIA BEACH, FL 33004
FBPE CERT. OF AUTHORIZATION No. 29578

FL #: **FL27423**

DATE: **06.13.18**

DWG. BY: **EG** CHK. BY: **HFN**

SCALE: **NTS**

DWG. #: **EWS011**

SHEET: **5**

s:\projects\eurowall-systems\fb-18-0417-fbc-submittal-lift-and-slide-door-impact\dwgs\ews011.dwg 6/19/2018 11:00 PM

TITLE: EURO VISTA SLIDE DOOR SYSTEM
(IMPACT) (WZ3)

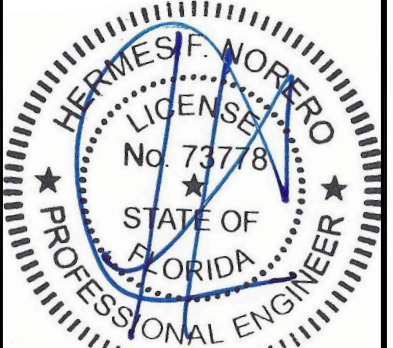
VERTICAL SECTIONS

PREPARED BY:
BUILDING DROPS, INC.
398 E. DANIA BEACH BLVD., STE. 338
DANIA BEACH, FL 33004
PH: (954)399-8478
FAX: (954)744-4738
WEB: www.buildingdrops.com



REMARKS	BY	DATE

THIS DOCUMENT IS THE PROPERTY OF BUILDING DROPS, INC. AND SHALL NOT BE REPRODUCED IN WHOLE OR PART WITHOUT WRITTEN CONSENT OF BUILDING DROPS, INC. ALTERATIONS, ADDITIONS, HIGHLIGHTING, OR OTHER MARKINGS TO THIS DOCUMENT ARE NOT PERMITTED AND INVALIDATE OUR CERTIFICATION.



HERMES F. NORERO, P.E.
FLORIDA P.E. No. 73778
BUILDING DROPS, INC.
398 E. DANIA BEACH BLVD. # 338
DANIA BEACH, FL 33004
FBPE CERT. OF AUTHORIZATION No. 29578

FL #: **FL27423**

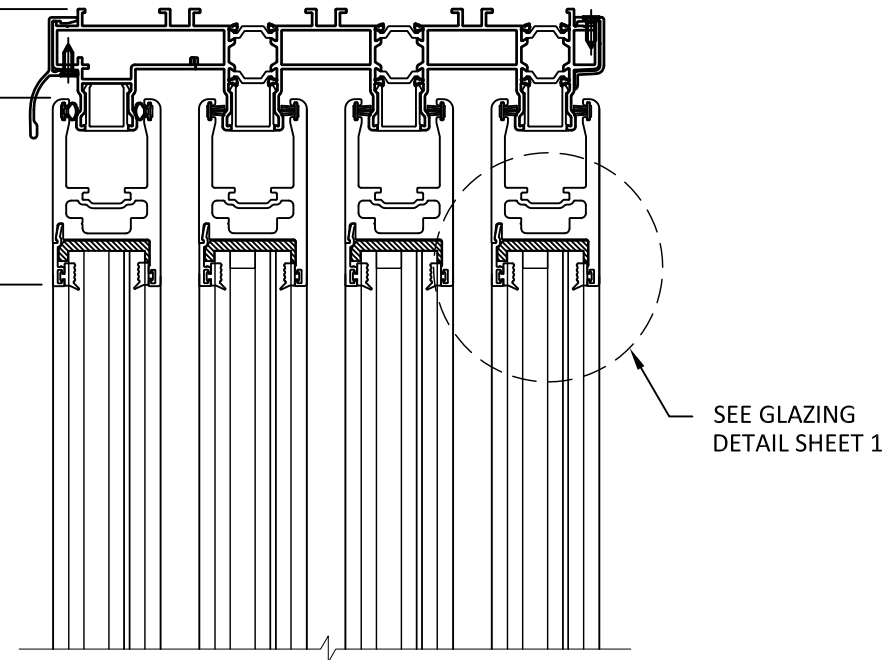
DATE: **06.13.18**

DWG. BY: **EG** CHK. BY: **HFN**

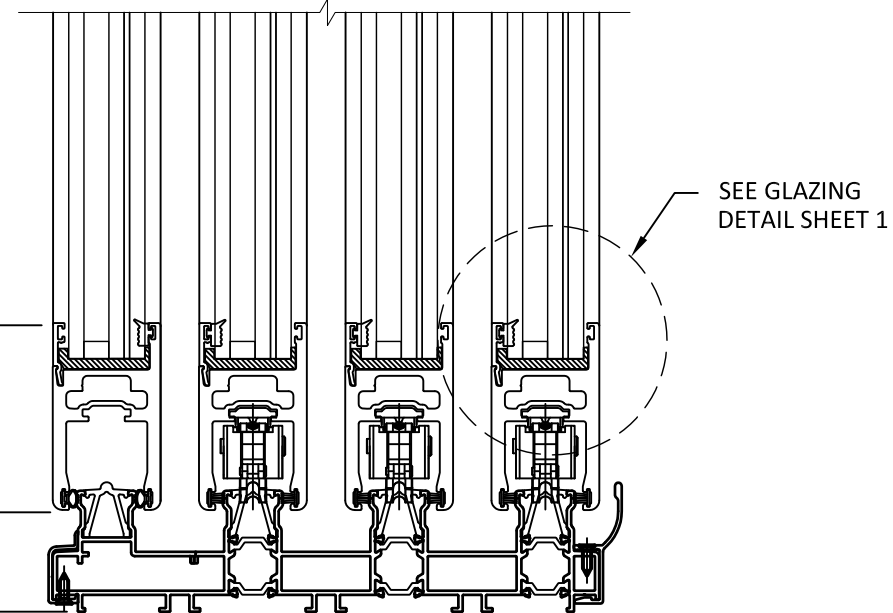
SCALE: **NTS**

DWG. #: **EWS011**

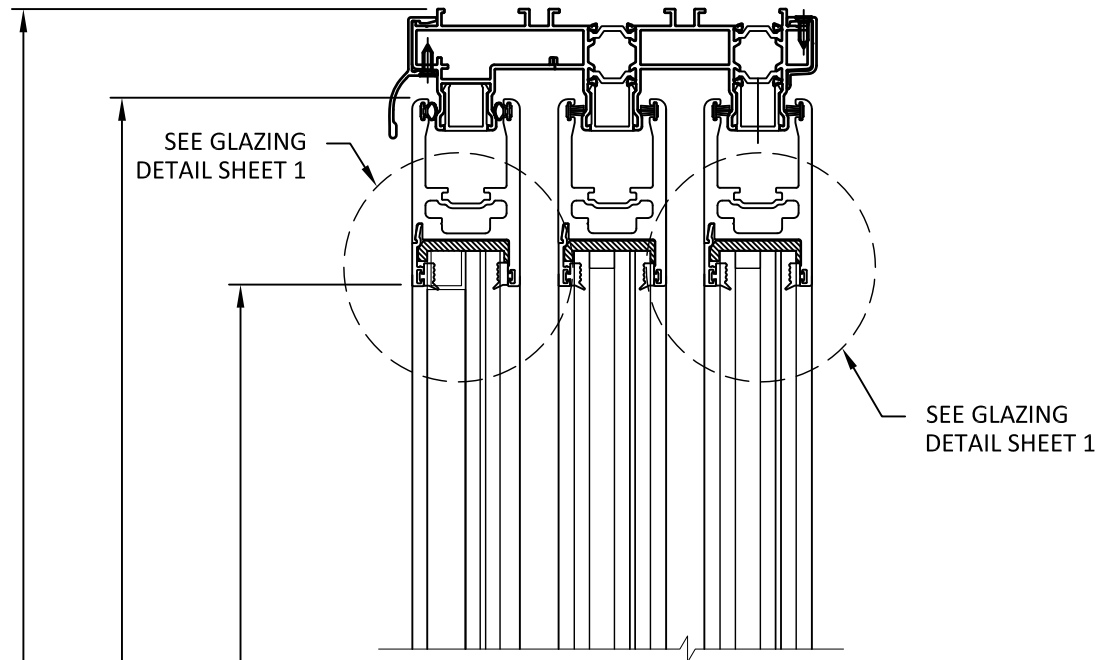
SHEET: **6**



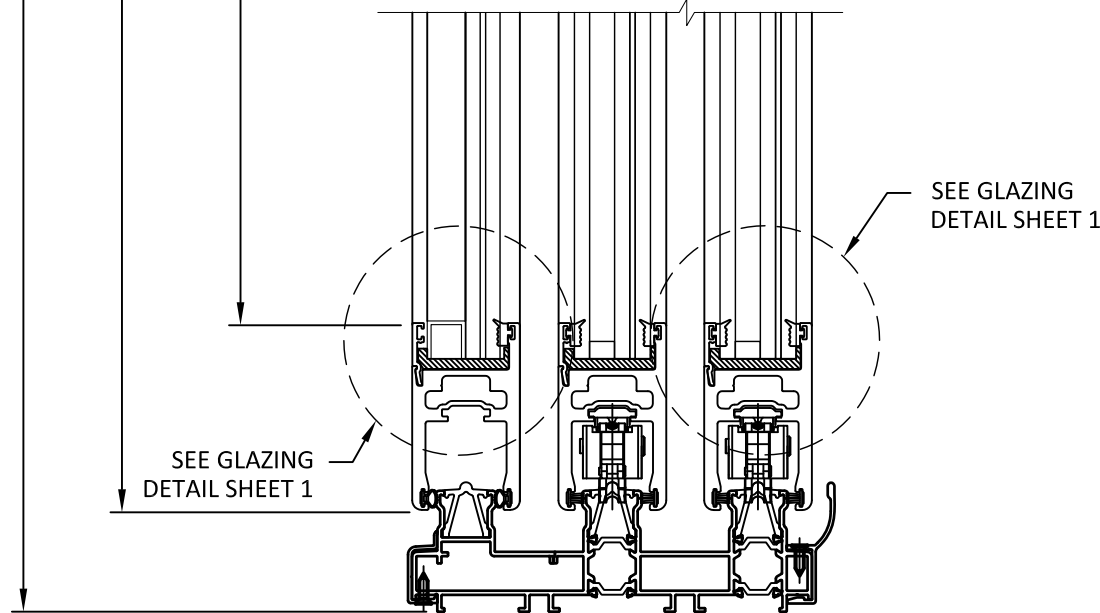
O.A. FRAME HEIGHT
MAX. PANEL HEIGHT
MAX. D.L.O. HEIGHT
EXTERIOR
INTERIOR



B
6 VERTICAL SECTION
STANDARD SILL - WATER RATED



O.A. FRAME HEIGHT
MAX. PANEL HEIGHT
MAX. D.L.O. HEIGHT
EXTERIOR
INTERIOR

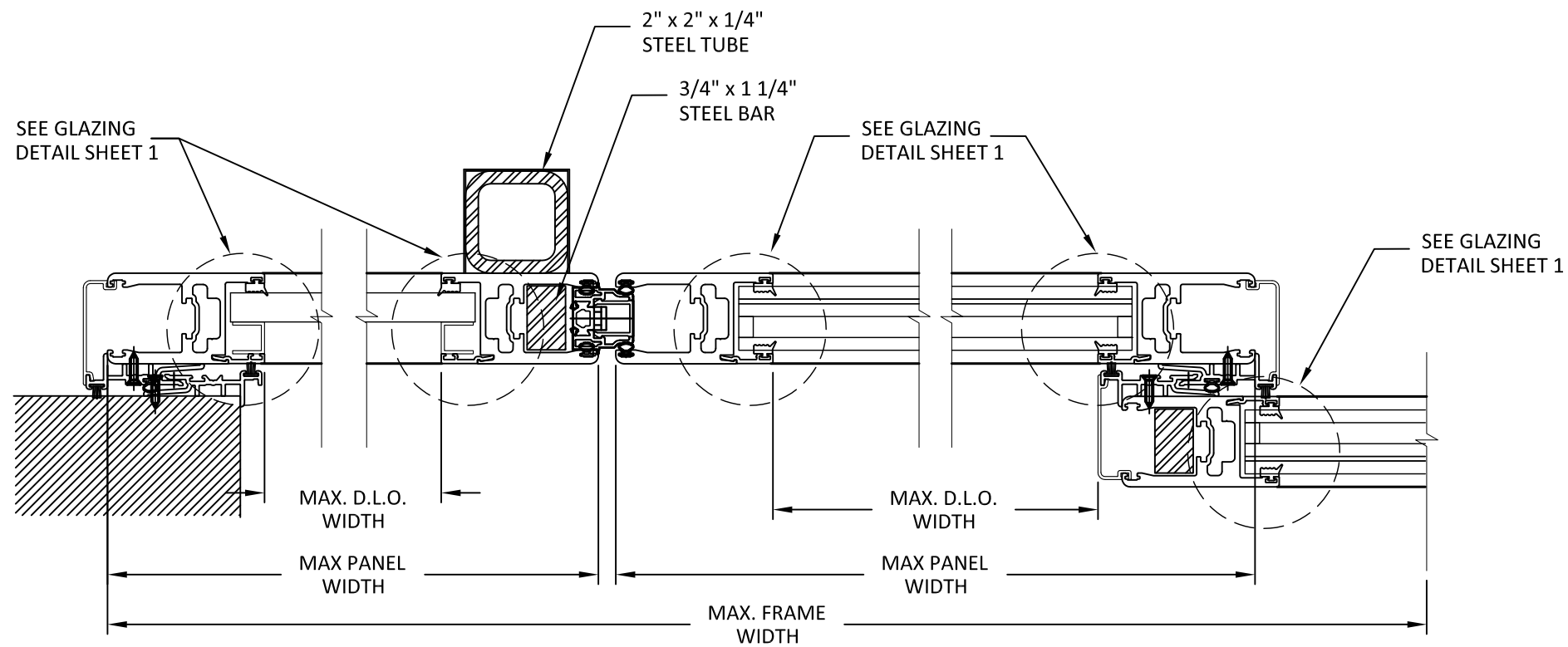


A
6 VERTICAL SECTION
STANDARD SILL - WATER RATED

TITLE: EURO VISTA SLIDE DOOR SYSTEM
(IMPACT) (WZ3)

HORIZONTAL SECTIONS

PREPARED BY:
BUILDING DROPS, INC.
398 E. DANIA BEACH BLVD., STE. 338
DANIA BEACH, FL 33004
PH: (954)399-8478
FAX: (954)744-4738
WEB: www.buildingdrops.com



B
7 **HORIZONTAL SECTION**
THROUGH FRAME INSTALLATION
FRAME AT CLOSED POSITION

REMARKS	BY	DATE

THIS DOCUMENT IS THE PROPERTY OF BUILDING DROPS, INC. AND SHALL NOT BE REPRODUCED IN WHOLE OR PART WITHOUT WRITTEN CONSENT OF BUILDING DROPS, INC. ALTERATIONS, ADDITIONS, HIGHLIGHTING, OR OTHER MARKINGS TO THIS DOCUMENT ARE NOT PERMITTED AND INVALIDATE OUR CERTIFICATION.

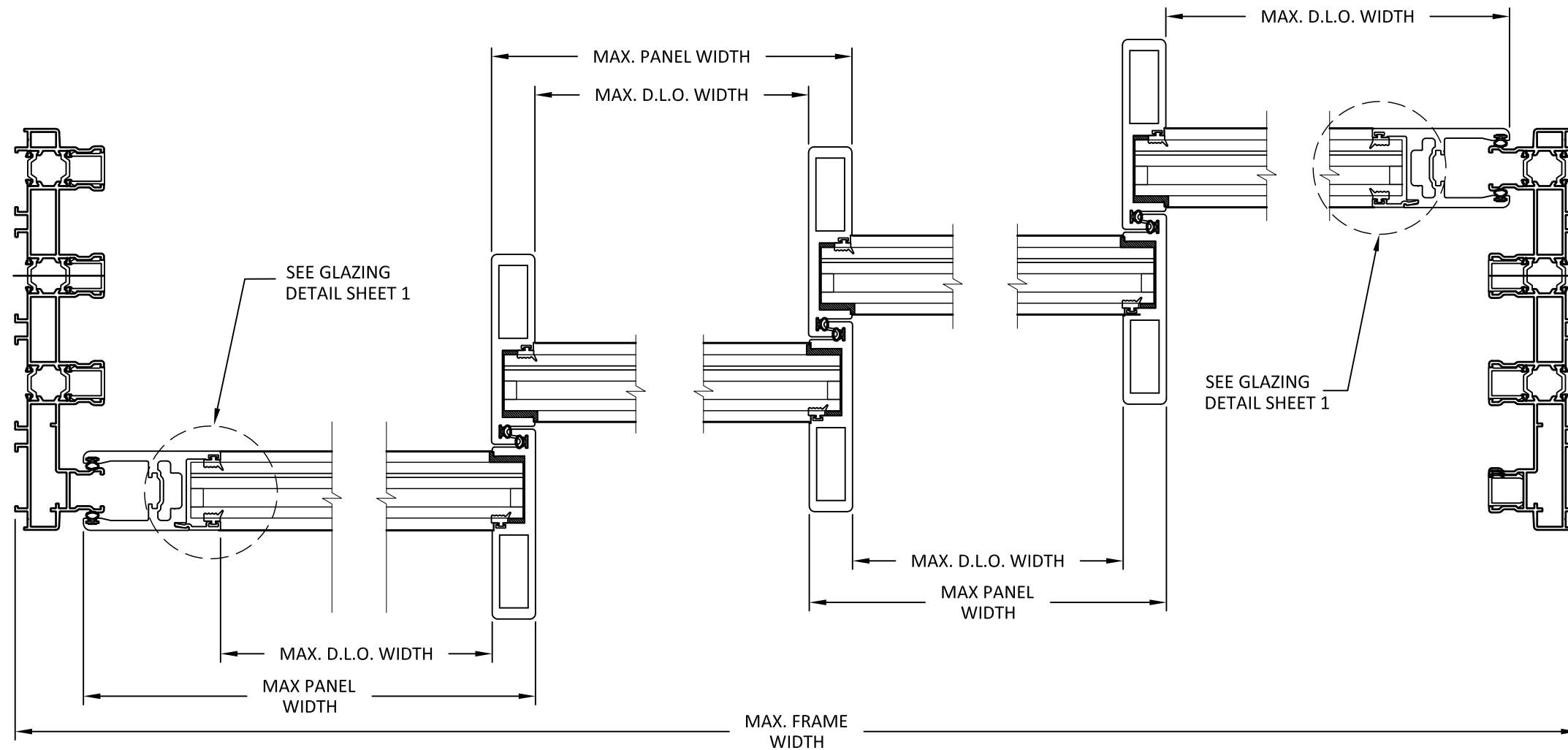
HERMES F. NORERO, P.E.
FLORIDA P.E. No. 73778
BUILDING DROPS, INC
398 E. DANIA BEACH BLVD. # 338
DANIA BEACH, FL 33004
FBPE CERT. OF AUTHORIZATION No. 29578

FL #:	FL27423
DATE:	06.13.18
DWG. BY:	EG
CHK. BY:	HFN
SCALE:	NTS
DWG. #:	EWS011
SHEET:	7

TITLE: EURO VISTA SLIDE DOOR SYSTEM
(IMPACT) (WZ3)

HORIZONTAL SECTION

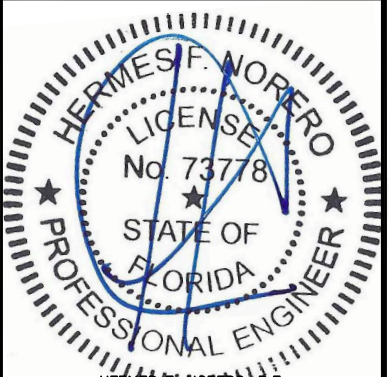
PREPARED BY:
BUILDING DROPS, INC.
398 E. DANIA BEACH BLVD., STE. 338
DANIA BEACH, FL 33004
PH: (954)399-8478
FAX: (954)744-4738
WEB: www.buildingdrops.com



A
8 **HORIZONTAL SECTION**
THROUGH FRAME INSTALLATION

REMARKS	BY	DATE

THIS DOCUMENT IS THE PROPERTY OF BUILDING DROPS, INC. AND SHALL NOT BE REPRODUCED IN WHOLE OR PART WITHOUT WRITTEN CONSENT OF BUILDING DROPS, INC. ALTERATIONS, ADDITIONS, HIGHLIGHTING, OR OTHER MARKINGS TO THIS DOCUMENT ARE NOT PERMITTED AND INVALIDATE OUR CERTIFICATION.



HERMES F. NORERO, P.E.
FLORIDA P.E. No 73778
BUILDING DROPS, INC
398 E. DANIA BEACH BLVD. # 338
DANIA BEACH, FL 33004
FBPE CERT. OF AUTHORIZATION No. 29578

FL #: **FL27423**

DATE: **06.13.18**

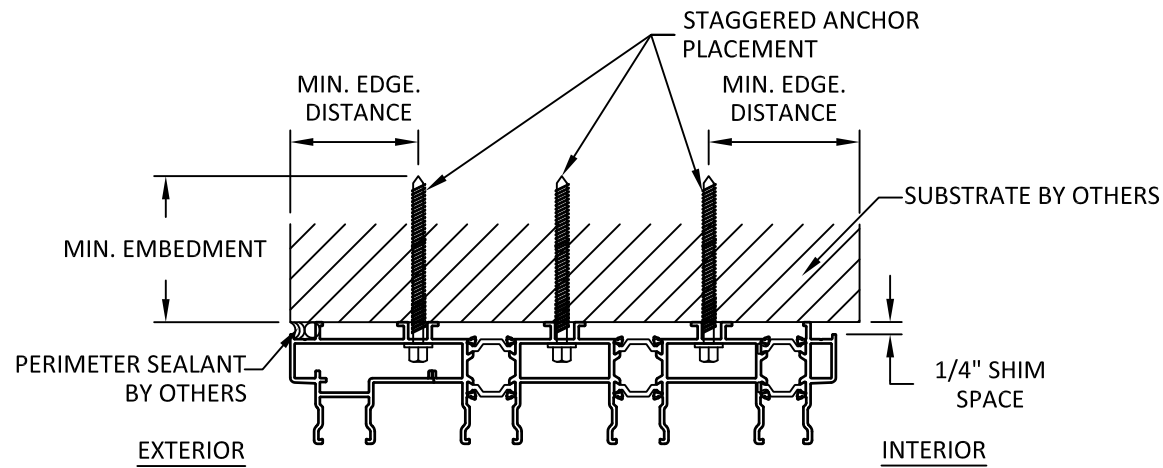
DWG. BY: **EG** CHK. BY: **HFN**

SCALE: **NTS**

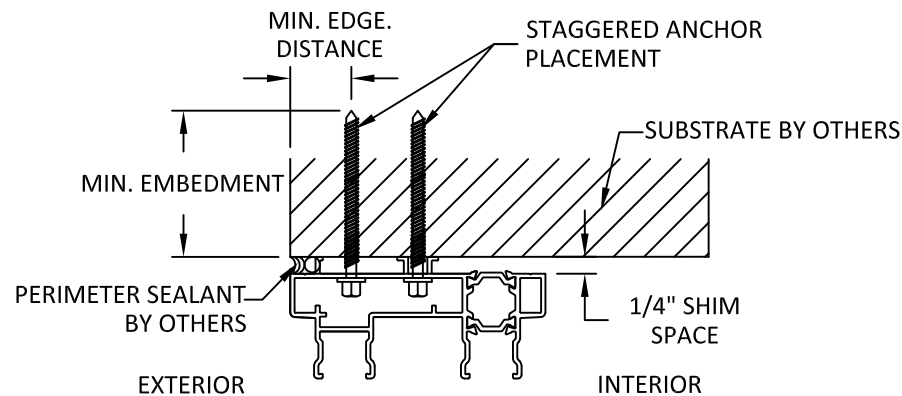
DWG. #: **EWS011**

SHEET:

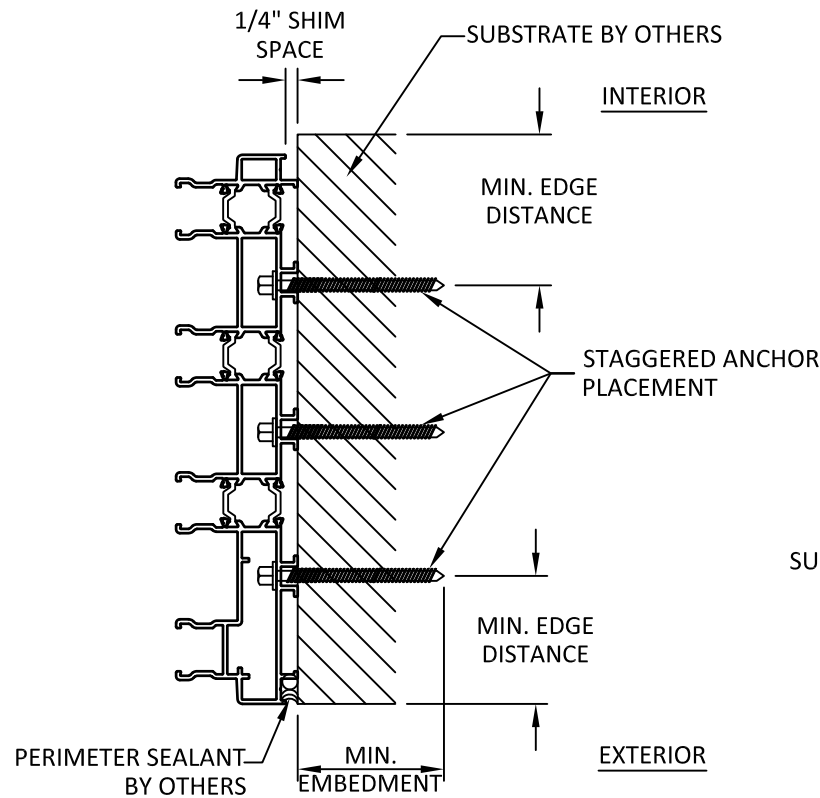
s:\projects\eurowall systems\fbc-18-0417 - fbc submittal - lift and slide door - impact\dwg\ews011.dwg 6/19/2018 11:00 PM



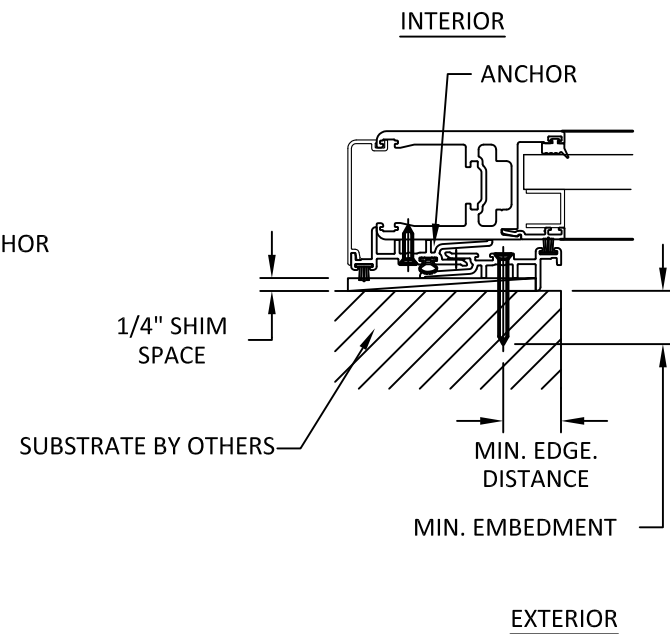
A
9
ANCHOR DETAIL
THROUGH FRAME (HEAD & SILL)



B
9
ANCHOR DETAIL
THROUGH FRAME (HEAD & SILL)



C
9
ANCHOR DETAIL
THROUGH FRAME (JAMB)



D
9
ANCHOR DETAIL
HOOK STRIP

INSTALLATION NOTES:

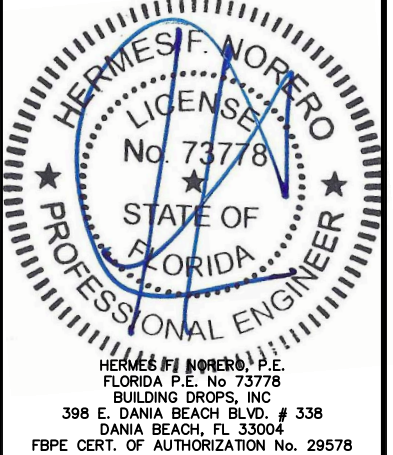
- ONE (1) INSTALLATION ANCHOR IS REQUIRED AT EACH ANCHOR LOCATION SHOWN UNLESS SPECIFIED IN THE ANCHOR SCHEDULE. TWO (2) INSTALLATION ANCHORS AT THE JAMBS.
- THE NUMBER OF INSTALLATION ANCHORS DEPICTED IS THE MINIMUM NUMBER OF ANCHORS TO BE USED FOR PRODUCT INSTALLATION OF THE MAXIMUM SIZE LISTED.
- INSTALL INDIVIDUAL INSTALLATION ANCHORS WITHIN A TOLERANCE OF $\pm 1/2$ INCH THE DEPICTED LOCATION & SPACING IN THE ANCHOR LAYOUT DETAILS (I.E., WITHOUT CONSIDERATION OF TOLERANCES). TOLERANCES ARE NOT CUMULATIVE FROM ONE INSTALLATION ANCHOR TO THE NEXT.
- SHIM AS REQUIRED AT EACH INSTALLATION ANCHOR WITH LOAD BEARING SHIM(S). MAXIMUM ALLOWABLE SHIM STACK TO BE 1/4 INCH. SHIM WHERE SPACE OF 1/16 INCH OR GREATER OCCURS. SHIM(S) SHALL BE CONSTRUCTED OF HIGH DENSITY PLASTIC OR BETTER.
- FOR MASONRY OR CONCRETE OPENINGS, 1X WOOD BUCK MAY BE USED (OPTIONAL AS LONG AS THE MINIMUM EMBEDMENT AND EDGE DISTANCE REQUIREMENTS ARE STILL MET WITHIN THE CORRESPONDING HOST SUBSTRATE.) SEE GENERAL NOTE #3 ON SHEET 1 FOR MORE INFORMATION.
- MINIMUM EMBEDMENT AND EDGE DISTANCE EXCLUDE WALL FINISHES, INCLUDING BUT NOT LIMITED TO STUCCO, FOAM, BRICK VENEER, AND SIDING.
- INSTALLATION ANCHORS AND ASSOCIATED HARDWARE MUST BE MADE OF CORROSION RESISTANT MATERIAL OR HAVE A CORROSION RESISTANT COATING.
- FOR HOLLOW BLOCK AND GROUT FILLED BLOCK, DO NOT INSTALL INSTALLATION ANCHORS INTO MORTAR JOINTS. EDGE DISTANCE IS MEASURED FROM FREE EDGE OF BLOCK OR EDGE OF MORTAR JOINT INTO FACE SHELL OF BLOCK.
- INSTALLATION ANCHORS SHALL BE INSTALLED IN ACCORDANCE WITH ANCHOR MANUFACTURER'S INSTALLATION INSTRUCTIONS, AND ANCHORS SHALL NOT BE USED IN SUBSTRATES WITH STRENGTHS LESS THAN THE MINIMUM STRENGTH SPECIFIED BY THE ANCHOR MANUFACTURER.
- SILL SHALL BE SET IN A BED OF STRUCTURAL SILICONE.

ANCHOR SCHEDULE				
METHOD	SUBSTRATE	ANCHOR SCHEDULE	MIN EMBEDMENT	MIN. EDGE DISTANCE
THROUGH FRAME	WOOD: MIN. SG = 0.55	#12 WOOD SCREW	1.5"	0.75"
	METAL: 18 GAUGE Steel, MIN. Fy = 33KSI	1/4" TEK SCREW	3 THREADS MIN PENETRATION BEYOND METAL	0.50"
	CONCRETE: f _c =3000PSI	1/4" ITW TAPCON	1.75"	2.5"
	MASONRY: CMU per ASTM C90 MIN: 2000 PSI	1/4" ITW TAPCON	1.75"	3"

TITLE: EURO VISTA SLIDE DOOR SYSTEM (IMPACT) (WZ3)
INSTALLATION NOTES, ANCHOR DETAILS & SCHEDULE
PREPARED BY: BUILDING DROPS, INC.
398 E. DANIA BEACH BLVD., STE. 338
DANIA BEACH, FL 33004
PH: (954)399-8478
FAX: (954)744-4738
WEB: www.buildingdrops.com

REMARKS	BY	DATE

THIS DOCUMENT IS THE PROPERTY OF BUILDING DROPS, INC. AND SHALL NOT BE REPRODUCED IN WHOLE OR PART WITHOUT WRITTEN CONSENT OF BUILDING DROPS, INC. ALTERATIONS, ADDITIONS, HIGHLIGHTING, OR OTHER MARKINGS TO THIS DOCUMENT ARE NOT PERMITTED AND INVALIDATE OUR CERTIFICATION.



FL #:
FL27423
DATE: **06.13.18**
DWG. BY: **EG** CHK. BY: **HFN**
SCALE: **NTS**
DWG. #: **EWS011**
SHEET:

6/19/2018 11:00 PM
s:\projects\euro-wall systems\fb-18-0417 -fb- submittal - lift and slide door - impact\dwg\sews011.dwg