

Euro-Wall Systems, LLC

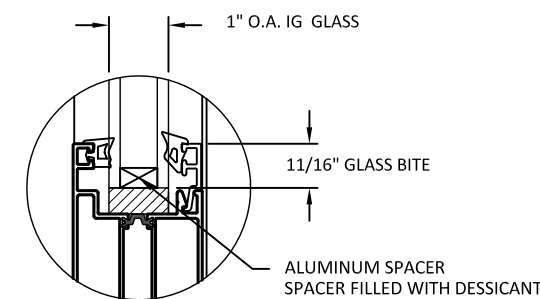
EURO C5 FOLDING DOOR SYSTEM (NON-IMPACT)

GENERAL NOTES:

1. THE PRODUCT SHOWN HEREIN IS DESIGNED AND MANUFACTURED TO COMPLY WITH THE CURRENT FLORIDA BUILDING CODE (FBC), **EXCLUDING** HVHZ AND HAS BEEN EVALUATED ACCORDING TO THE FOLLOWING:
 - ASTM E 283-04
 - ASTM E 330-02
 - ASTM E 547-00
 - AAMA 1304-02
2. ADEQUACY OF THE EXISTING STRUCTURAL CONCRETE/MASONRY, 2X AND METAL STUD FRAMING AS A MAIN WIND FORCE RESISTING SYSTEM CAPABLE OF WITHSTANDING AND TRANSFERRING APPLIED PRODUCT LOADS TO THE FOUNDATION IS THE RESPONSIBILITY OF THE ENGINEER OR ARCHITECT OF RECORD FOR THE PROJECT OF INSTALLATION.
3. 1X AND 2X BUCKS (WHEN USED) SHALL BE DESIGNED AND ANCHORED TO PROPERLY TRANSFER ALL LOADS TO THE STRUCTURE. BUCK DESIGN AND INSTALLATION IS THE RESPONSIBILITY OF THE ENGINEER OR ARCHITECT OF RECORD FOR THE PROJECT OF INSTALLATION.
4. THE INSTALLATION DETAILS DESCRIBED HEREIN ARE GENERIC AND MAY NOT REFLECT ACTUAL CONDITIONS FOR A SPECIFIC SITE. IF SITE CONDITIONS CAUSE INSTALLATION TO DEVIATE FROM THE REQUIREMENTS DETAILED HEREIN, A LICENSED ENGINEER OR ARCHITECT SHALL PREPARE SITE SPECIFIC DOCUMENTS FOR USE WITH THIS DOCUMENT.
5. APPROVED IMPACT PROTECTIVE SYSTEM IS **REQUIRED** TO PROTECT THIS PRODUCT IN AREAS REQUIRING IMPACT RESISTANCE.
6. DOOR FRAME MATERIAL: *EXTRUDED ALUMINUM (6063-T5)*.
7. GLASS MEETS THE REQUIREMENTS OF ASTM E1300 GLASS CHARTS. SEE SHEET 1 FOR GLAZING DETAILS.
8. DOORS SHALL USE SERIES EURO-C5 CARRIES, HINGES, PIVOTS, TWIN POINTS AND LEVER LOCKSET AND SERIES EURO-DSD MULTI-POINT DOOR LOCKS PER MANUFACTURERS REQUIREMENTS FOR EACH CONFIGURATION.

TABLE OF CONTENTS		
SHEET	REVISION	SHEET DESCRIPTION
1	-	GENERAL NOTES & GLAZING DETAILS
2	-	ELEVATIONS
3	-	ANCHOR LAYOUT
4	-	VERTICAL SECTIONS
5	-	HORIZONTAL SECTIONS
6	-	INSTALLATION NOTES, ANCHOR DETAILS & SCHEDULE

DESIGN PRESSURE RATING			
O.A SIZE	CONFIGURATION	DESIGN PRESSURE	MISSILE IMPACT RATING
256" X 120"	3L3R	+50.0 / -50.0 PSF	NON-IMPACT
SEE SHEET 4 FOR WATER RATING INFORMATION			



GLAZING DETAIL 1

- NOTE:**
1. ALL GLAZING CONFIGURATIONS SHALL COMPLY WITH SAFETY GLAZING REQUIREMENTS OUTLINED IN CURRENT FBC AND ASTM E 1300 GLASS CHART REQUIREMENTS.
 2. SETTING BLOCK SHOULD BE 70-90 DUROMETER AS PER CH 24 OF THE CURRENT FBC.
 3. GLASS LITES THAT EXCEED 36" IN WIDTH SHALL USE SETTING BLOCKS AT 1/4 SPAN FROM CORNERS.

TITLE: EURO C5 FOLDING DOOR SYSTEM

GENERAL AND GLAZING DETAILS

PREPARED BY: BUILDING DROPS, INC.
398 E. DANIA BEACH BLVD., STE. 338
DANIA BEACH, FL 33004
PH: (954)399-8478
FAX: (954)744-4738
WEB: www.buildingdrops.com

REMARKS	BY	DATE

THIS DOCUMENT IS THE PROPERTY OF BUILDING DROPS, INC. AND SHALL NOT BE REPRODUCED IN WHOLE OR PART WITHOUT WRITTEN CONSENT OF BUILDING DROPS, INC. ALTERATIONS, ADDITIONS, HIGHLIGHTING, OR OTHER MARKINGS TO THIS DOCUMENT ARE NOT PERMITTED AND INVALIDATE OUR CERTIFICATION.

HERMES F. NORERO, P.E.
FLORIDA P.E. No. 73778
BUILDING DROPS, INC.
398 E. DANIA BEACH BLVD. # 338
DANIA BEACH, FL 33004
FBPE CERT. OF AUTHORIZATION No. 29578

FL #: **FL27023**

DATE: **04.06.18**

DWG. BY: HR	CHK. BY: HFN
--------------------	---------------------

SCALE: **NTS**

DWG. #: **EWS008**

SHEET: **1** OF 6

4/26/2018 8:56 AM
s:\projects\eurowall systems\fbce-18-0221-1 fbc submittal\3br outswing bifold door\dwgs\ews008.dwg

TITLE: EURO C5 FOLDING DOOR SYSTEM

ELEVATIONS

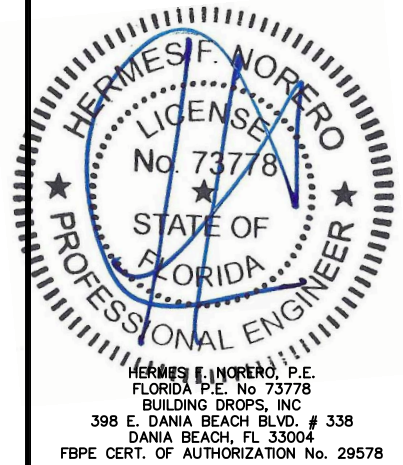
PREPARED BY: BUILDING DROPS, INC.

398 E. DANIA BEACH BLVD., STE. 338
DANIA BEACH, FL 33004
PH: (954)399-8478
FAX: (954)744-4738
WEB: www.buildingdrops.com



REMARKS	BY	DATE

THIS DOCUMENT IS THE PROPERTY OF BUILDING DROPS, INC. AND SHALL NOT BE REPRODUCED IN WHOLE OR PART WITHOUT WRITTEN CONSENT OF BUILDING DROPS, INC. ALTERATIONS, ADDITIONS, HIGHLIGHTING, OR OTHER MARKINGS TO THIS DOCUMENT ARE NOT PERMITTED AND INVALIDATE OUR CERTIFICATION.



FL #: **FL27023**

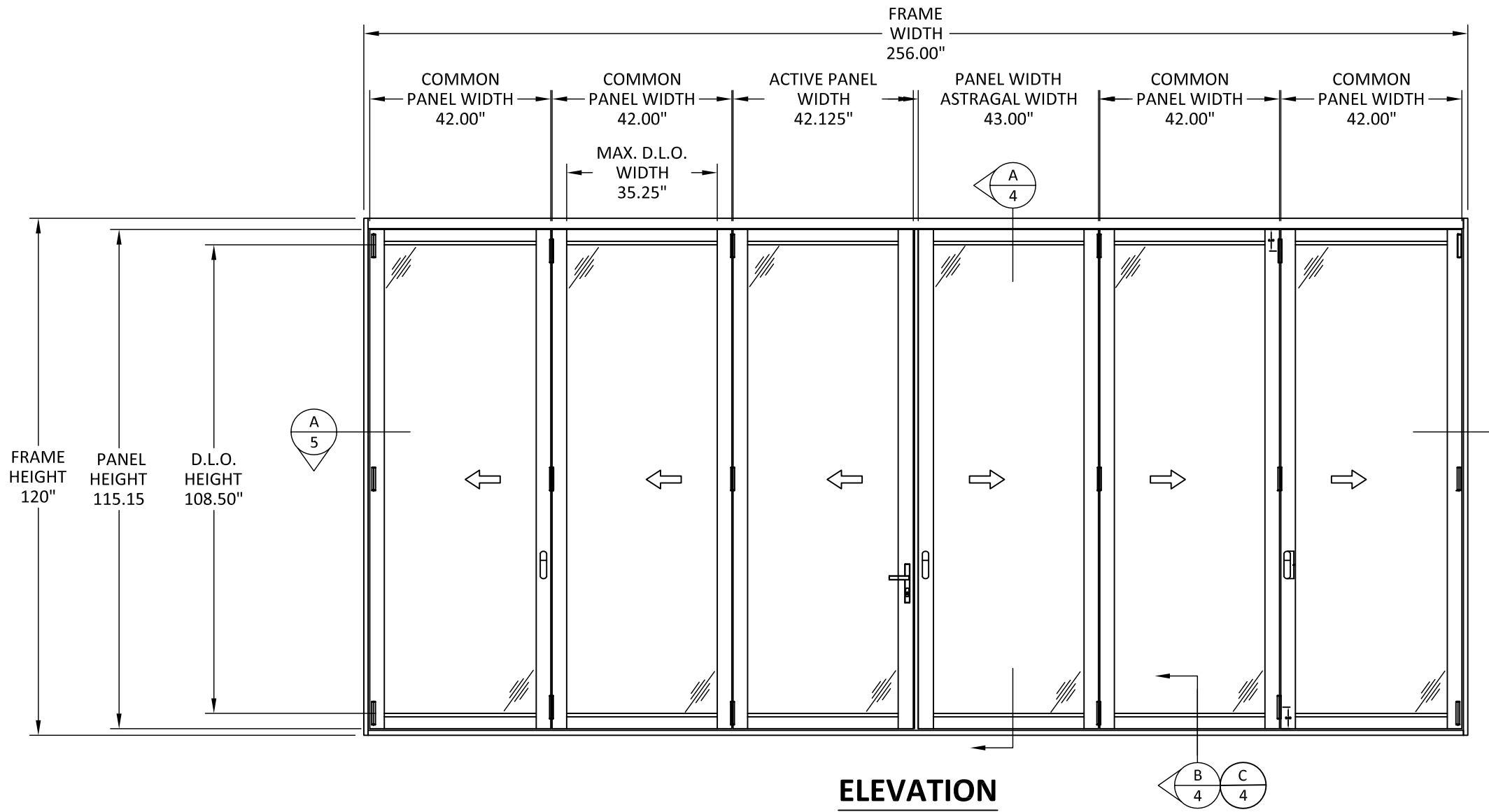
DATE: **04.06.18**

DWG. BY: **HR** CHK. BY: **HFN**

SCALE: **NTS**

DWG. #: **EWS008**

SHEET: **2**



ELEVATION

NOTE:
SIZE SHOWN ABOVE IS BASED ON TESTING, OTHER APPROVED CONFIGURATIONS ARE AS FOLLOWS:


1. 1 PANEL - 1L, 1R
2. 2 PANEL - 2L, 2R, 1L 1R
3. 3 PANEL - 3L, 3R, 2L 1R, 1L 2R
4. 4 PANEL - 4L, 4R, 3L 1R, 1L 3R, 2L 2R
5. 5 PANEL - 5L, 5R, 4L 1R, 1L 4R, 3L 2R, 2L 3R
6. 6 PANEL - 6L, 6R, 5L 1R, 1L 5R, 4L 2R, 2L 4R, 3L 3R,
7. 7 PANEL - 7L, 7R, 6L-1R, 1L-6R, 5L-2R, 2L-5R, 4L-3R, 3L-4R
8. 8 PANEL - 8L, 8R, 7L-1R, 1L-7R, 6L-2R, 2L-6R, 5L-3R, 3L-5R, 4L-4R

OVERALL FRAME AREA SHALL NOT EXCEED 213.33 FT² (1.5 X TESTED FRAME AREA).
INDIVIDUAL PANEL HEIGHT AND WIDTH SHALL NOT EXCEED THE HEIGHT AND WIDTH OF THE PANELS SHOWN IN THE ABOVE ELEVATION AS TESTED.

4/26/2018 8:56 AM

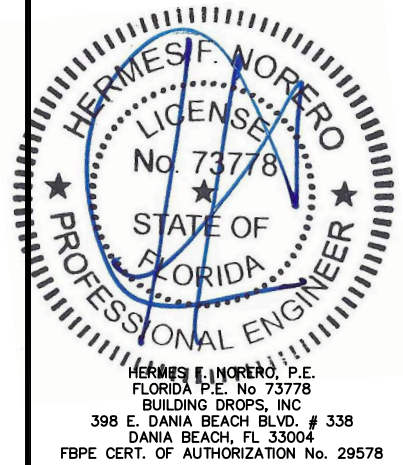
s:\projects\eurowall systems\lbc-18-0221-1 lbc-submittal-3l3r-outswing-bifold-door\dwgs\ews008.dwg

TITLE: EURO C5 FOLDING DOOR SYSTEM
ANCHOR LAYOUTS

PREPARED BY:  **BUILDING DROPS, INC.**
398 E. DANIA BEACH BLVD., STE. 338
DANIA BEACH, FL 33004
PH: (954)399-8478
FAX: (954)744-4738
WEB: www.buildingdrops.com

REMARKS	BY	DATE

THIS DOCUMENT IS THE PROPERTY OF BUILDING DROPS, INC. AND SHALL NOT BE REPRODUCED IN WHOLE OR PART WITHOUT WRITTEN CONSENT OF BUILDING DROPS, INC. ALTERATIONS, ADDITIONS, HIGHLIGHTING, OR OTHER MARKINGS TO THIS DOCUMENT ARE NOT PERMITTED AND INVALIDATE OUR CERTIFICATION.



FL #: **FL27023**

DATE: **04.06.18**

DWG. BY: **HR** CHK. BY: **HFN**

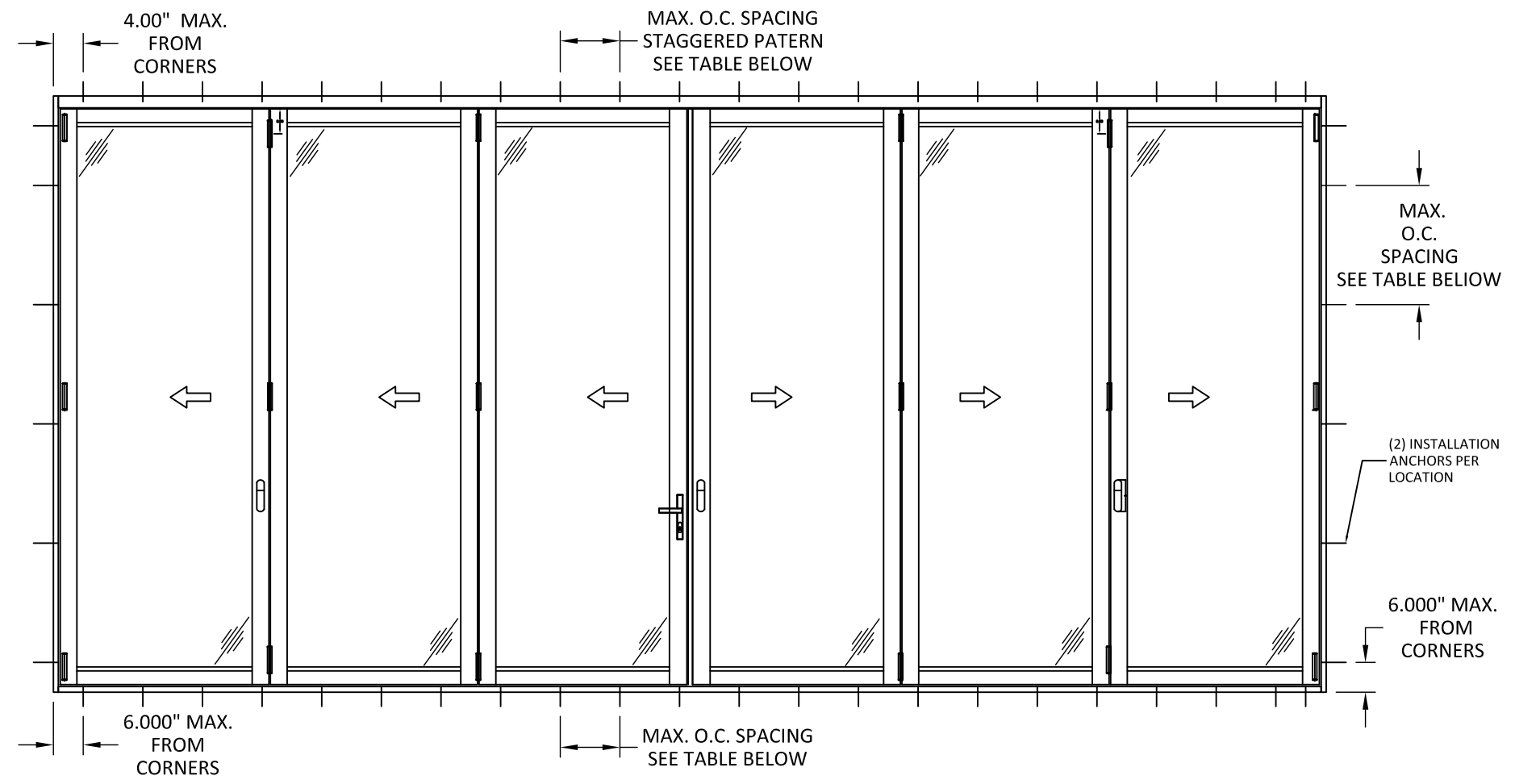
SCALE: **NTS**

DWG. #: **EWS008**

SHEET:

3

OF 6



**ANCHOR LAYOUT
THROUGH FRAME INSTALLATION**

SUBSTRATE	ANCHOR SCHEDULE	MAX. O.C. SPACING AT HEAD	MAX. O.C. SPACING AT SILL	MAX. O.C. SPACING AT JAMBS
WOOD: MIN. SG = 0.55	#14 WOOD SCREW	12"	12"	24"
METAL: 18 GAUGE Steel, MIN. Fy = 33KSI	1/4" TEK SCREW	11"	11"	18"
CONCRETE: f _c =3000PSI	1/4" ITW TAPCON	12"	12"	24"
MASONRY: CMU per ASTM C90	1/4" ITW TAPCON	9.75"	9.75"	24"

4/26/2018 8:56 AM

s:\projects\eurowall systems\lbc-18-0221.1 lbc submittal 313r outswing bifold door\dwg\ews008.dwg

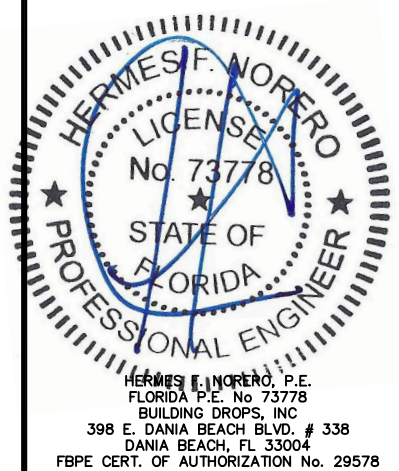
TITLE: EURO C5 FOLDING DOOR SYSTEM
VERTICAL SECTIONS

PREPARED BY: BUILDING DROPS, INC.
398 E. DANIA BEACH BLVD., STE. 338
DANIA BEACH, FL 33004
PH: (954)399-8478
FAX: (954)744-4738
WEB: www.buildingdrops.com



REMARKS	BY	DATE

THIS DOCUMENT IS THE PROPERTY OF BUILDING DROPS, INC. AND SHALL NOT BE REPRODUCED IN WHOLE OR PART WITHOUT WRITTEN CONSENT OF BUILDING DROPS, INC. ALTERATIONS, ADDITIONS, HIGHLIGHTING, OR OTHER MARKINGS TO THIS DOCUMENT ARE NOT PERMITTED AND INVALIDATE OUR CERTIFICATION.



FL #: **FL27023**

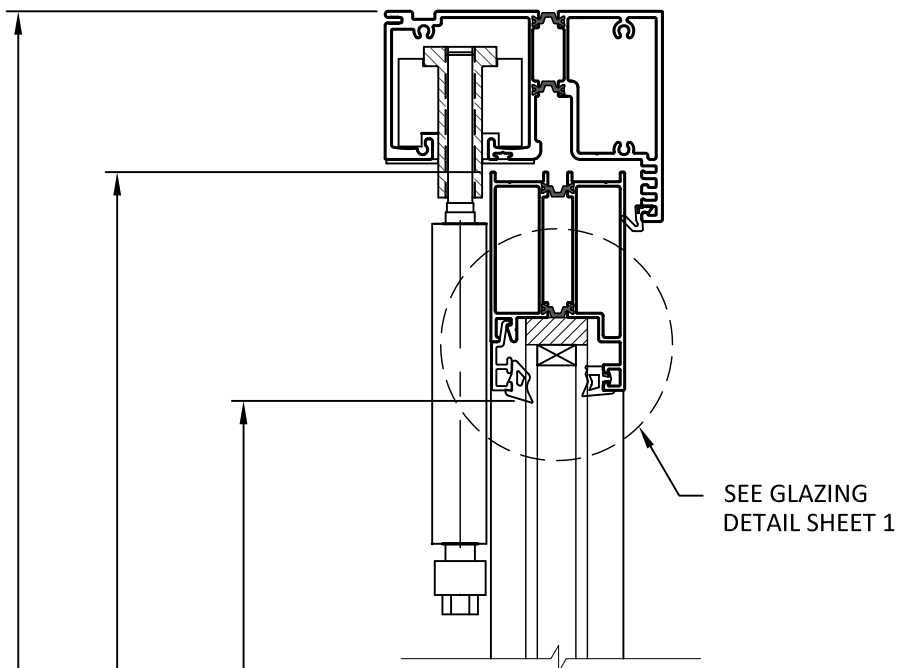
DATE: **04.06.18**

DWG. BY: **HR** CHK. BY: **HFN**

SCALE: **NTS**

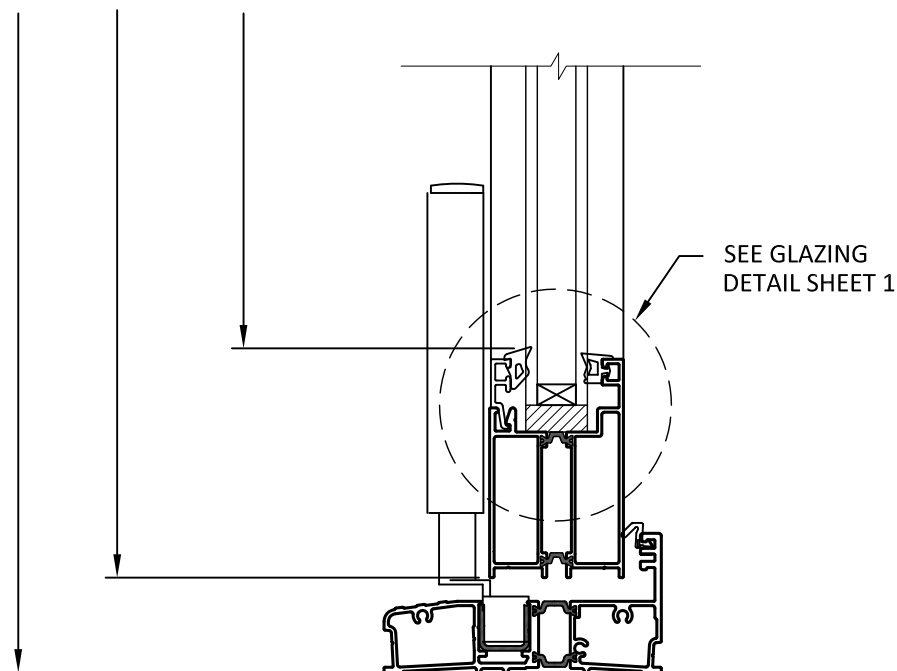
DWG. #: **EWS008**

SHEET:



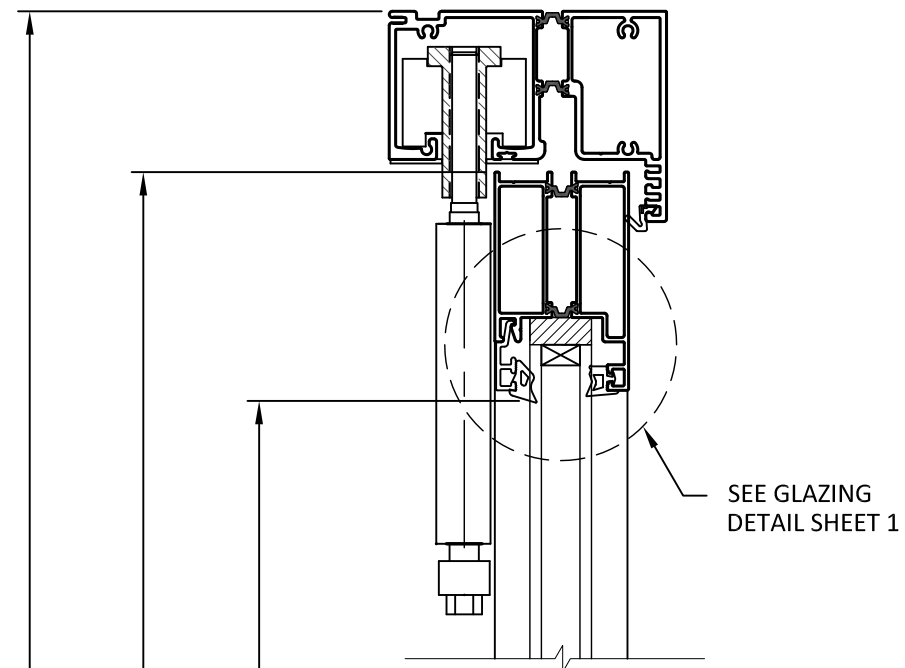
O.A. FRAME HEIGHT MAX. PANEL HEIGHT MAX. D.L.O. HEIGHT

EXTERIOR INTERIOR



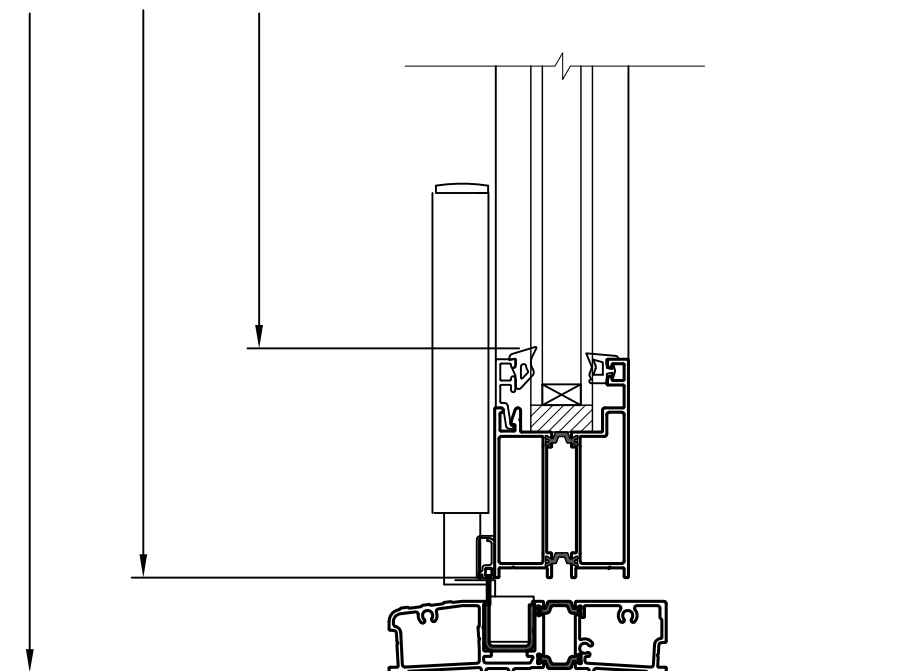
SEE GLAZING DETAIL SHEET 1

A
4 **VERTICAL SECTION**
STANDARD SILL - WATER RATED



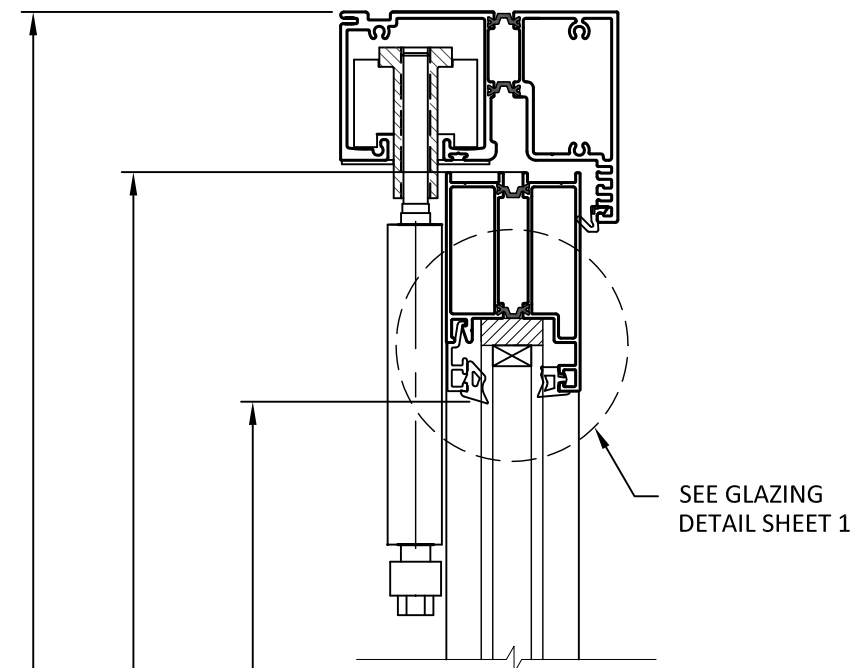
O.A. FRAME HEIGHT MAX. PANEL HEIGHT MAX. D.L.O. HEIGHT

EXTERIOR INTERIOR



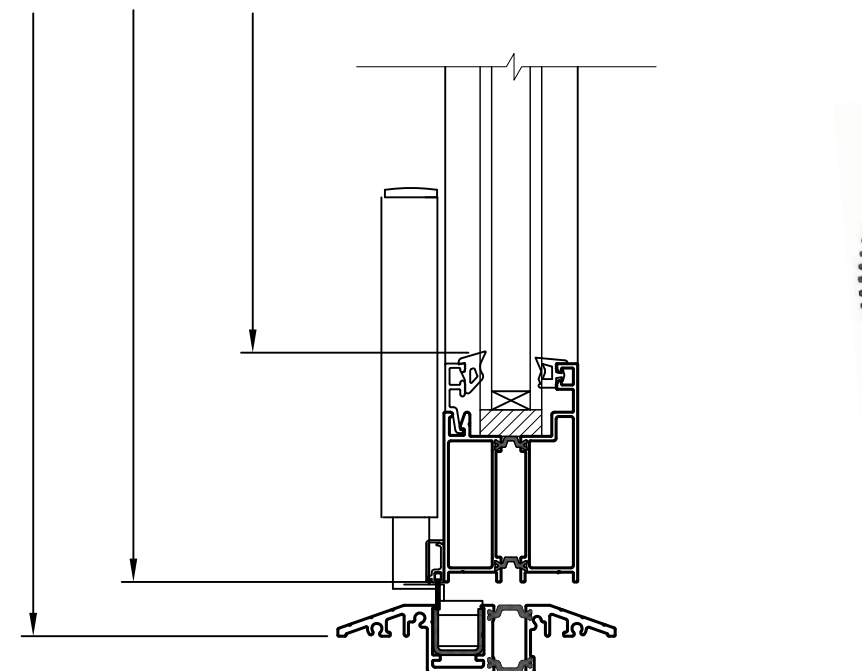
SEE GLAZING DETAIL SHEET 1

B
4 **VERTICAL SECTION**
MODIFIED STANDARD SILL - NOT RATED FOR WATER



O.A. FRAME HEIGHT MAX. PANEL HEIGHT MAX. D.L.O. HEIGHT

EXTERIOR INTERIOR



SEE GLAZING DETAIL SHEET 1

C
4 **VERTICAL SECTION**
ADA SILL - NOT RATED FOR WATER

4/26/2018 8:56 AM

s:\projects\eurowall\system\lbc-18-0221-1 lbc-submittal-313r-outswing-bifold-door\dwg\ews008.dwg

TITLE: EURO C5 FOLDING DOOR SYSTEM

HORIZONTAL SECTIONS

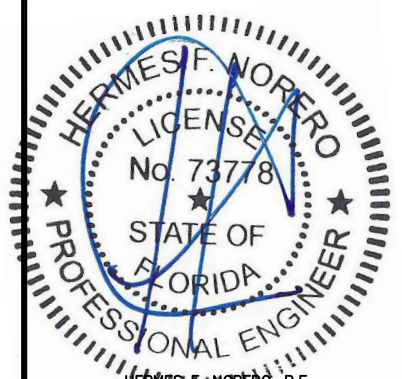
PREPARED BY: BUILDING DROPS, INC.

398 E. DANIA BEACH BLVD., STE. 338
DANIA BEACH, FL 33004
PH: (954)399-8478
FAX: (954)744-4738
WEB: www.buildingdrops.com



REMARKS	BY	DATE

THIS DOCUMENT IS THE PROPERTY OF BUILDING DROPS, INC. AND SHALL NOT BE REPRODUCED IN WHOLE OR PART WITHOUT WRITTEN CONSENT OF BUILDING DROPS, INC. ALTERATIONS, ADDITIONS, HIGHLIGHTING, OR OTHER MARKINGS TO THIS DOCUMENT ARE NOT PERMITTED AND INVALIDATE OUR CERTIFICATION.



HERMES F. NORERO, P.E.
FLORIDA P.E. No. 73778
BUILDING DROPS, INC.
398 E. DANIA BEACH BLVD. # 338
DANIA BEACH, FL 33004
FBPE CERT. OF AUTHORIZATION No. 29578

FL #: **FL27023**

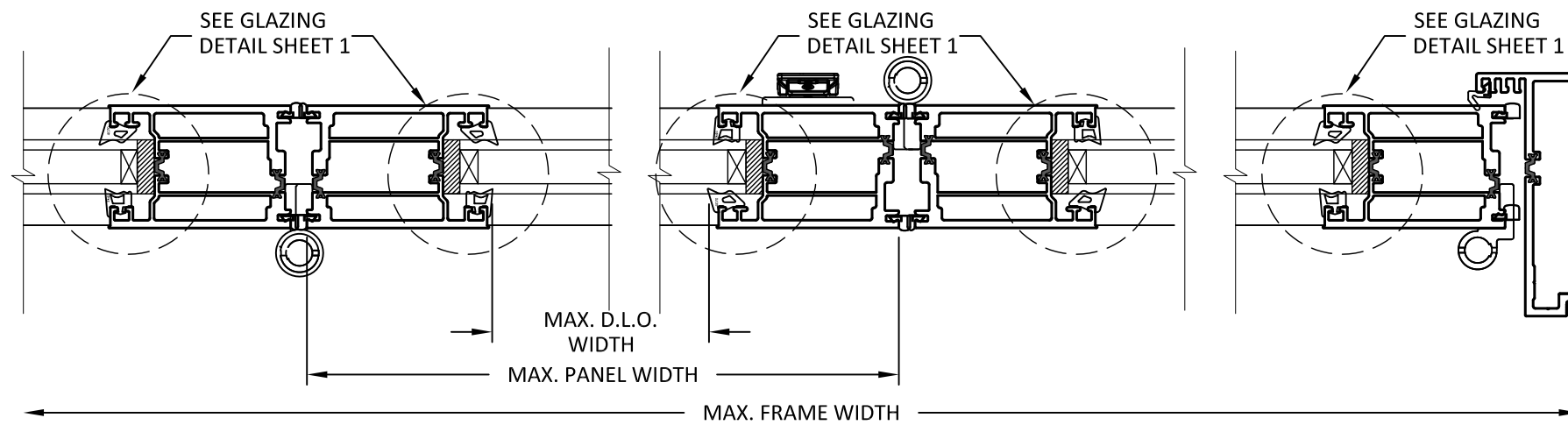
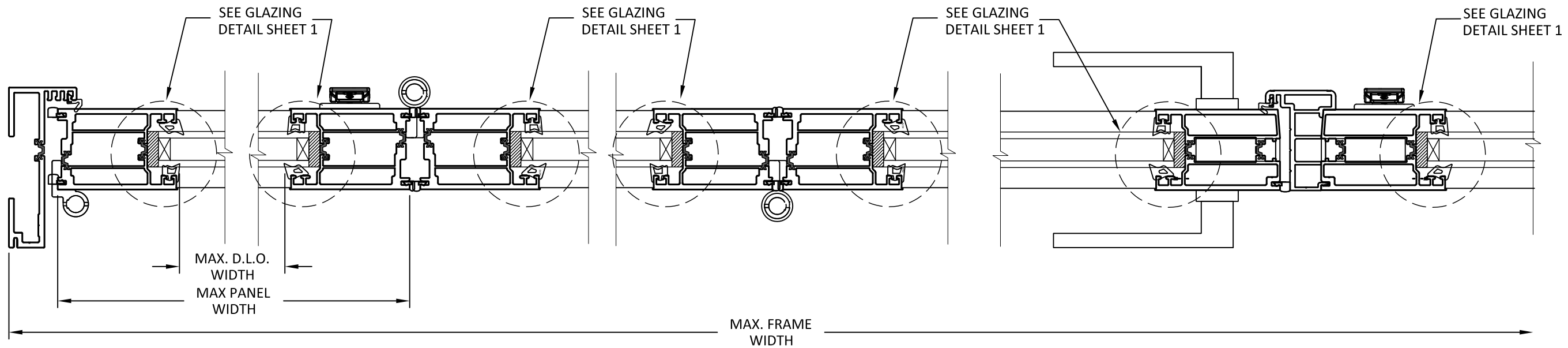
DATE: **04.06.18**

DWG. BY: **HR** CHK. BY: **HFN**

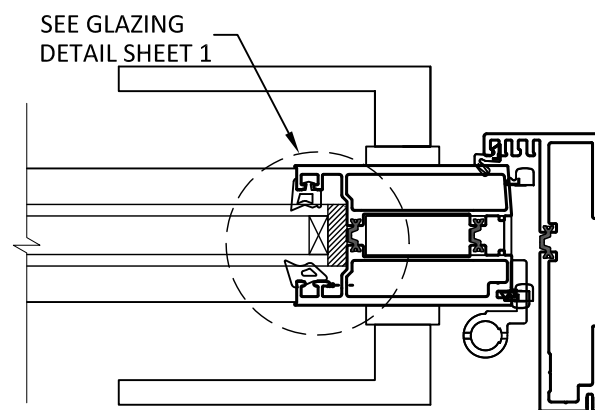
SCALE: **NTS**

DWG. #: **EWS008**

SHEET: **5**



A HORIZONTAL SECTION
5 THROUGH FRAME INSTALLATION



B HORIZONTAL SECTION
5 THROUGH FRAME INSTALLATION

NOTE:
1. DETAIL B/5 IS APPLICABLE FOR CONFIGURATIONS LISTED ON SHEET 2 WHERE FREE PANELS LOCK TO THE JAMB.

4/26/2018 8:56 AM

s:\projects\eurowall systems\lbc-18-0221-1 lbc-submittal-313r-outswing-bifold-door\dwg\ews008.dwg

TITLE: EURO C5 FOLDING DOOR SYSTEM

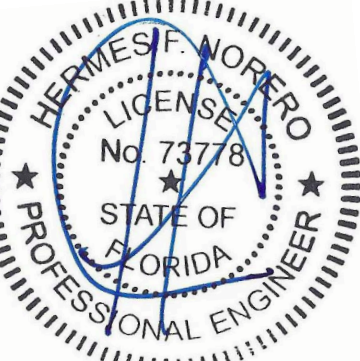
INSTALLATION NOTES, ANCHOR DETAILS & SCHEDULE

PREPARED BY: BUILDING DROPS, INC.
398 E. DANIA BEACH BLVD., STE. 338
DANIA BEACH, FL 33004
PH: (954) 999-8478
FAX: (954) 744-4738
WEB: www.buildingdrops.com



REMARKS	BY	DATE

THIS DOCUMENT IS THE PROPERTY OF BUILDING DROPS, INC. AND SHALL NOT BE REPRODUCED IN WHOLE OR PART WITHOUT WRITTEN CONSENT OF BUILDING DROPS, INC. ALTERATIONS, ADDITIONS, HIGHLIGHTING, OR OTHER MARKINGS TO THIS DOCUMENT ARE NOT PERMITTED AND INVALIDATE OUR CERTIFICATION.



HERMES F. NORERO, P.E.
FLORIDA P.E. No. 73778
BUILDING DROPS, INC.
398 E. DANIA BEACH BLVD. # 338
DANIA BEACH, FL 33004
FBPE CERT. OF AUTHORIZATION No. 29578

FL #: **FL27023**

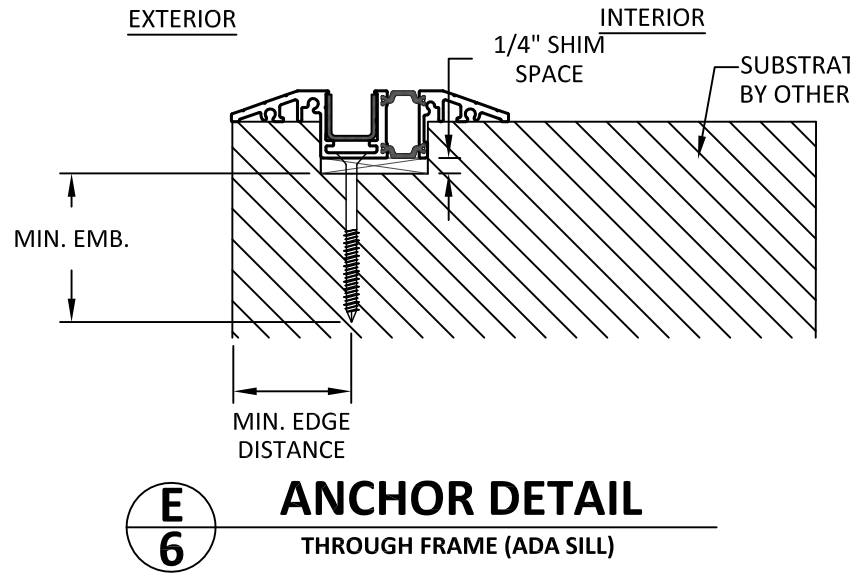
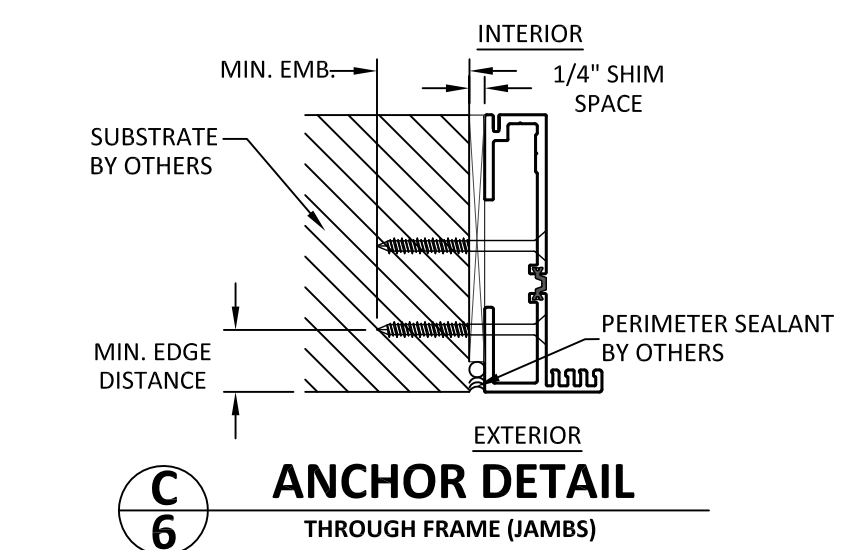
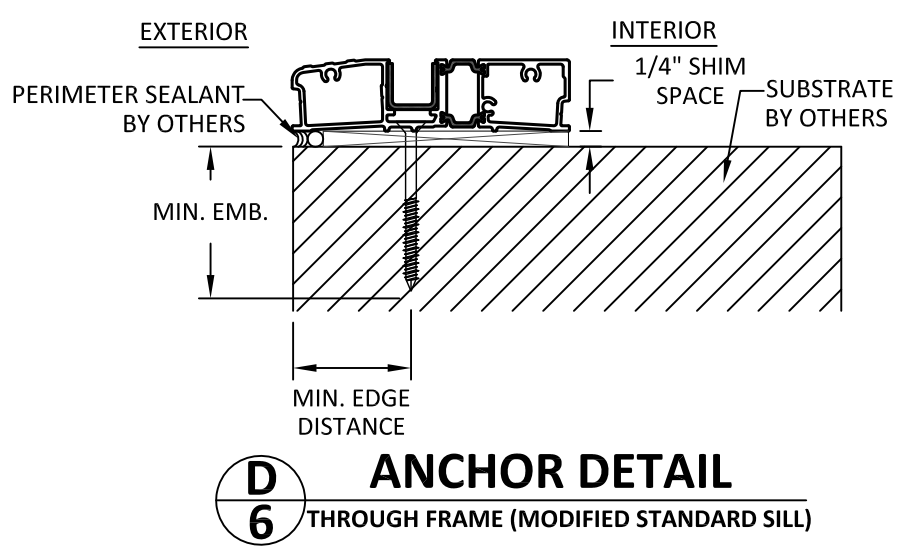
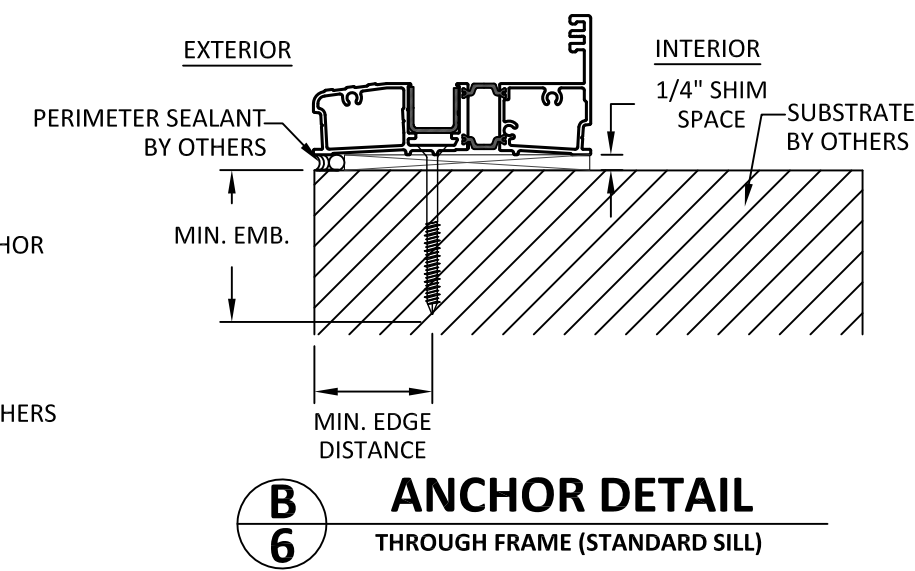
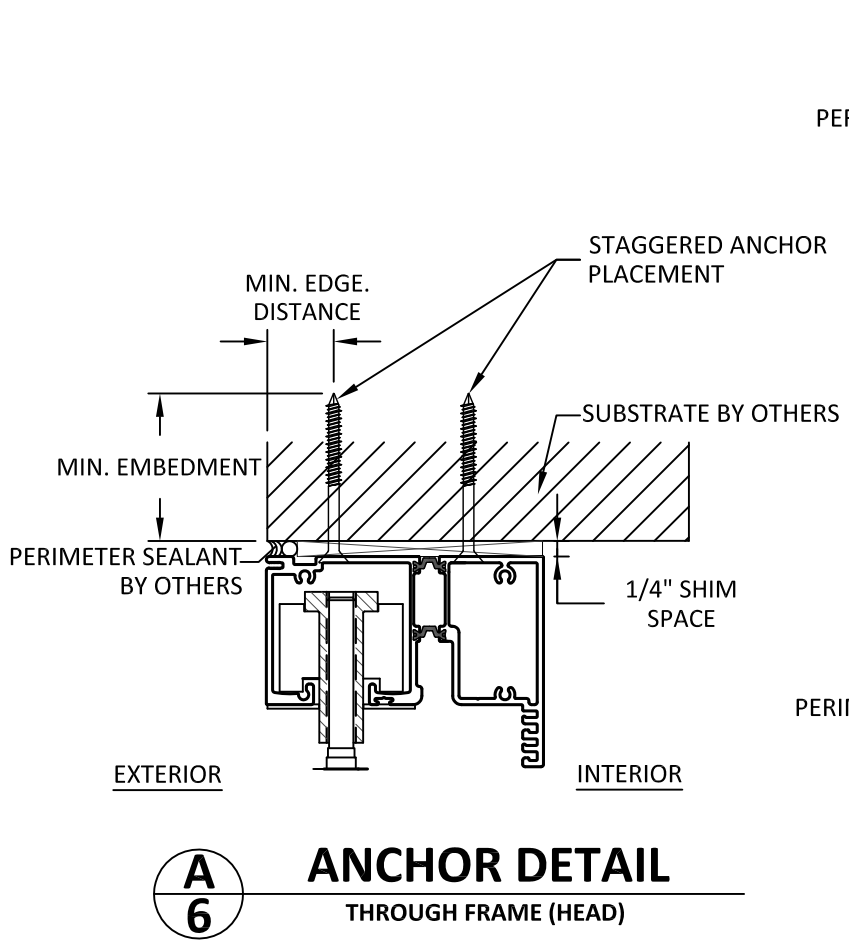
DATE: **04.06.18**

DWG. BY: **HR** CHK. BY: **HFN**

SCALE: **NTS**

DWG. #: **EWS008**

SHEET: **6**



INSTALLATION NOTES:

- ONE (1) INSTALLATION ANCHOR IS REQUIRED AT EACH ANCHOR LOCATION SHOWN UNLESS SPECIFIED IN THE ANCHOR SCHEDULE. TWO (2) INSTALLATION ANCHORS AT THE JAMBS.
- THE NUMBER OF INSTALLATION ANCHORS DEPICTED IS THE MINIMUM NUMBER OF ANCHORS TO BE USED FOR PRODUCT INSTALLATION OF THE MAXIMUM SIZE LISTED.
- INSTALL INDIVIDUAL INSTALLATION ANCHORS WITHIN A TOLERANCE OF ±1/2 INCH THE DEPICTED LOCATION & SPACING IN THE ANCHOR LAYOUT DETAILS (I.E., WITHOUT CONSIDERATION OF TOLERANCES). TOLERANCES ARE NOT CUMULATIVE FROM ONE INSTALLATION ANCHOR TO THE NEXT.
- SHIM AS REQUIRED AT EACH INSTALLATION ANCHOR WITH LOAD BEARING SHIM(S). MAXIMUM ALLOWABLE SHIM STACK TO BE 1/4INCH. SHIM WHERE SPACE OF 1/16 INCH OR GREATER OCCURS. SHIM(S) SHALL BE CONSTRUCTED OF HIGH DENSITY PLASTIC OR BETTER.
- FOR MASONRY OR CONCRETE OPENINGS, 1X WOOD BUCK MAY BE USED (OPTIONAL AS LONG AS THE MINIMUM EMBEDMENT AND EDGE DISTANCE REQUIREMENTS ARE STILL MET WITHIN THE CORRESPONDING HOST SUBSTRATE.) SEE GENERAL NOTE #3 ON SHEET 1 FOR MORE INFORMATION.
- MINIMUM EMBEDMENT AND EDGE DISTANCE EXCLUDE WALL FINISHES, INCLUDING BUT NOT LIMITED TO STUCCO, FOAM, BRICK VENEER, AND SIDING.
- INSTALLATION ANCHORS AND ASSOCIATED HARDWARE MUST BE MADE OF CORROSION RESISTANT MATERIAL OR HAVE A CORROSION RESISTANT COATING.
- FOR HOLLOW BLOCK AND GROUT FILLED BLOCK, DO NOT INSTALL INSTALLATION ANCHORS INTO MORTAR JOINTS. EDGE DISTANCE IS MEASURED FROM FREE EDGE OF BLOCK OR EDGE OF MORTAR JOINT INTO FACE SHELL OF BLOCK.
- INSTALLATION ANCHORS SHALL BE INSTALLED IN ACCORDANCE WITH ANCHOR MANUFACTURER'S INSTALLATION INSTRUCTIONS, AND ANCHORS SHALL NOT BE USED IN SUBSTRATES WITH STRENGTHS LESS THAN THE MINIMUM STRENGTH SPECIFIED BY THE ANCHOR MANUFACTURER.
- SILL SHALL BE SET IN A BED OF STRUCTURAL SILICONE.

ANCHOR SCHEDULE				
METHOD	SUBSTRATE	ANCHOR SCHEDULE	MIN EMBEDMENT	MIN. EDGE DISTANCE
THROUGH FRAME	WOOD: MIN. SG = 0.55	#14 WOOD SCREW	1.5"	0.75"
	METAL: 18 GAUGE Steel, MIN. Fy = 33KSI	1/4" TEK SCREW	3 THREADS MIN PENETRATION BEYOND METAL	0.50"
	CONCRETE: f'c=3000PSI	1/4" ITW TAPCON	1.75"	2.5"
	MASONRY: CMU per ASTM C90	1/4" ITW TAPCON	1.75"	3"

4/26/2018 8:56 AM
s:\projects\eurowall\system\fb-18-0221.1.fbc-submittal\313-outswing-bifold-door.dwg\ews008.dwg