

SERIES MG5000 ALUMINUM WINDOW WALL SYSTEM

THIS SYSTEM IS RATED FOR LARGE MISSILE IMPACT SHUTTERS ARE NOT REQUIRED.

THIS PRODUCT HAS BEEN DESIGNED AND TESTED TO COMPLY WITH THE REQUIREMENTS OF THE 2017 (6TH EDITION) FLORIDA BUILDING CODE INCLUDING HIGH VELOCITY HURRICANE ZONE (HVHZ).

1BY OR 2BY WOOD BUCKS & BUCK FASTENERS BY OTHERS, MUST BE DESIGNED AND INSTALLED ADEQUATELY TO TRANSFER APPLIED PRODUCT LOADS TO THE BUILDING STRUCTURE.

ANCHORS SHALL BE CORROSION RESISTANT, SPACED AS SHOWN ON DETAILS AND INSTALLED PER MANUF'S INSTRUCTIONS. SPECIFIED EMBEDMENT TO BASE MATERIAL SHALL BE BEYOND WALL DRESSING OR STUCCO.

A LOAD DURATION INCREASE IS USED IN DESIGN OF ANCHORS INTO WOOD ONLY.

ALL SHIMS TO BE HIGH IMPACT, NON-METALLIC AND NON-COMPRESSIBLE.

MATERIALS INCLUDING BUT NOT LIMITED TO STEEL/METAL SCREWS, THAT COME INTO CONTACT WITH OTHER DISSIMILAR MATERIALS SHALL MEET THE REQUIREMENTS OF THE 2017 FLORIDA BLDG. CODE & ADOPTED STANDARDS.

THIS PRODUCT APPROVAL IS GENERIC AND DOES NOT PROVIDE INFORMATION FOR A SITE SPECIFIC PROJECT, I.E. LIFE SAFETY OF THIS PRODUCT, ADEQUACY OF STRUCTURE RECEIVING THIS PRODUCT AND SEALING AROUND OPENING FOR WATER INFILTRATION RESISTANCE ETC.

CONDITIONS NOT SHOWN IN THIS DRAWING ARE TO BE ANALYZED SEPARATELY, AND TO BE REVIEWED BY BUILDING OFFICIAL.

TYPICAL ELEVATION

ALLOWABLE LOADS FOR ALTERNATE SHAPES AS SHOWN ABOVE OR SIMILAR CAN BE VERIFIED BY INSCRIBING PICTURE WINDOW SHAPE WITHIN SQUARE OR RECTANGLE AS SHOWN IN DOTTED LINES AND OBTAINING ALLOWABLE LOADS FROM THOSE SHAPES. SINGLE LITES MAY BE INSTALLED VERTICALLY AS SHOWN ABOVE OR HORIZONTALLY.

- INSTRUCTIONS:**
USE CHARTS AS FOLLOWS.
- STEP 1** DETERMINE DESIGN WIND LOAD REQUIREMENT BASED ON WIND VELOCITY, BLDG. HEIGHT, WIND ZONE USING APPLICABLE ASCE 7 STANDARD.
 - STEP 2** SEE CHARTS ON SHEET 2 FOR DESIGN LOAD CAPACITY OF DESIRED GLASS SIZE.
 - STEP 3** CHECK MULLION CAPACITY FOR A GIVEN SPACING AND HEIGHT USING CHARTS ON SHEETS 3 & 4 FOR WINDOW WALL MULLION AND SHEETS 6 & 7 FOR DOOR MULLION THE CAPACITY SHOULD EXCEED THE DESIGN LOAD.
 - STEP 4** CHECK ANCHOR CAPACITY FOR WINDOW WALL SYSTEM USING CHARTS ON SHEETS 5, 5.1 & 5.2 FOR DOOR MULLION ANCHOR CAPACITY SEE CHART ON SHEET 7. THE CAPACITY SHOULD EXCEED THE DESIGN LOAD.
 - STEP 5** THE LOWEST VALUE RESULTING FROM STEPS 2, 3 AND 4 SHALL APPLY TO ENTIRE SYSTEM.

PRODUCT COMPLIES WITH REQUIREMENTS OF ANSI Z97.1.

**LAMINATED GLASS
LARGE MISSILE IMPACT**

FL #27000



A- CONTRACTOR TO BE RESPONSIBLE FOR THE SELECTION, PURCHASE AND INSTALLATION OF THIS PRODUCT BASED ON THIS PRODUCT EVALUATION PROVIDED HE/SHE DOES NOT DEVIATE FROM THE CONDITIONS DETAILED ON THIS DOCUMENT.

B- THIS PRODUCT EVALUATION DOCUMENT WILL BE CONSIDERED INVALID IF ALTERED BY ANY MEANS.

C- SITE SPECIFIC PROJECTS SHALL BE PREPARED BY A FLORIDA REGISTERED ENGINEER OR ARCHITECT WHICH WILL BECOME THE ENGINEER OF RECORD (E.O.R.) FOR THE PROJECT AND WHO WILL BE RESPONSIBLE FOR THE PROPER USE OF THE P.E.D. ENGINEER OF RECORD, ACTING AS A DELEGATED ENGINEER TO THE P.E.D. ENGINEER SHALL SUBMIT TO THIS LATTER THE SITE SPECIFIC DRAWINGS FOR REVIEW.

D- THIS P.E.D. SHALL BEAR THE DATE AND ORIGINAL SEAL AND SIGNATURE OF THE PROFESSIONAL ENGINEER OF RECORD THAT PREPARED IT.

AL-FAROOQ CORPORATION
ENGINEERS & PRODUCT DEVELOPMENT
9360 SUNSET DRIVE, SUITE 220
MIAMI, FLORIDA 33173 (C.A.N. 3538)
TEL. (305) 264-8100 FAX. (305) 262-6978
STORE 18-46F-MG

SERIES MG5000 ALUM WINDOW WALL SYSTEM (L.M.I.)

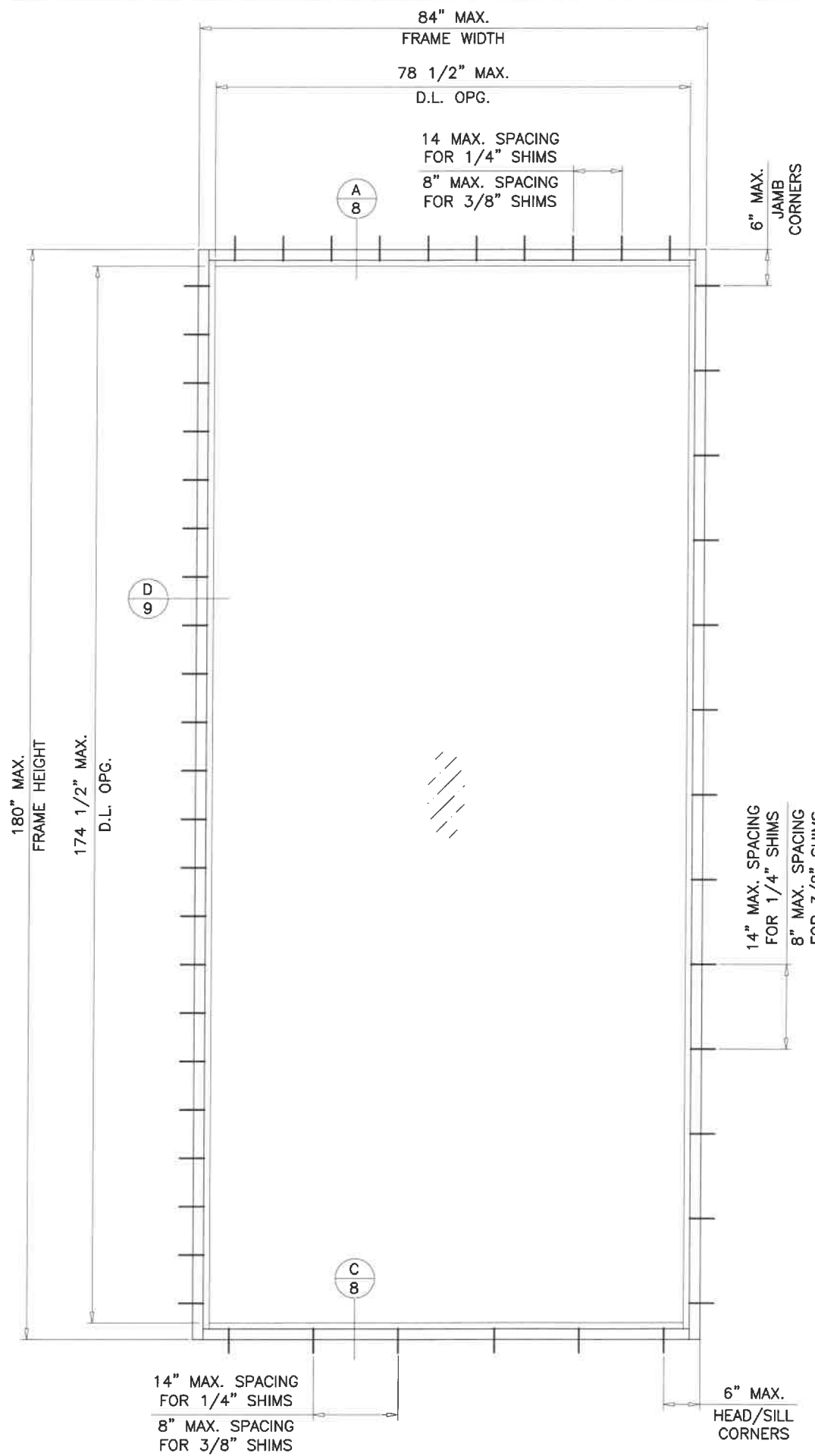
MR. GLASS DOORS & WINDOWS INC.
8120 N.W. 84 STREET
MEDLEY, FL. 33166
TEL. (305) 470-8284 FAX. (305) 470-8285

revisions:	no	date	by description

date: 04-20-18 scale: 1/2"=1'-0" dr. by: TARIQ chk. by:

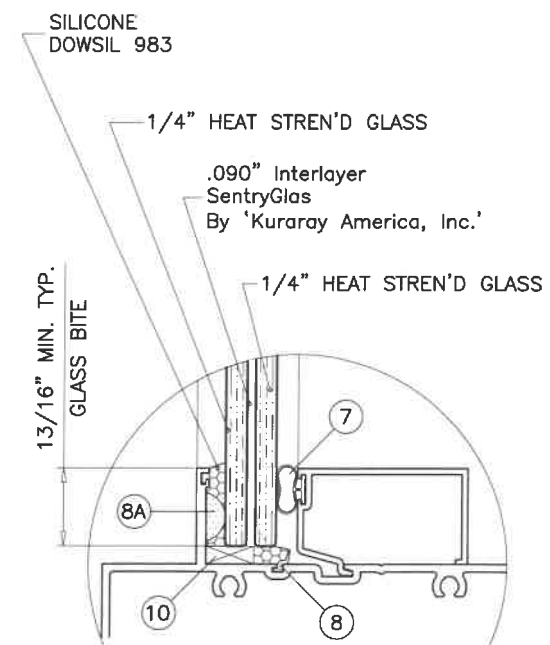
drawing no. **18-46F**

sheet 1 of 12

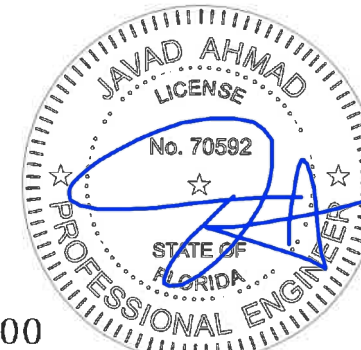


TYPICAL ELEVATION
SINGLE (O) PANEL

MAXIMUM DESIGN LOAD RATING = + 70.0 PSF
- 70.0 PSF
(FOR SINGLE UNITS SHOWN IN THIS SHEET OR SMALLER)



GLASS TYPE 'B1'



FL #27000

Sealed 04-20-18

af c
AL-FAROOQ CORPORATION
ENGINEERS & PRODUCT DEVELOPMENT
9360 SUNSET DRIVE, SUITE 220
MIAMI, FLORIDA 33173 (C.A.N. 3538)
TEL. (305) 264-8100 FAX. (305) 262-6978
STORE \ 18-46F-MG

SERIES M65000 ALUM WINDOW WALL SYSTEM (L.M.I.)
MR. GLASS DOORS & WINDOWS INC.
8120 N.W. 84 STREET
MEDLEY, FL. 33166
TEL. (305) 470-8284 FAX. (305) 470-8285

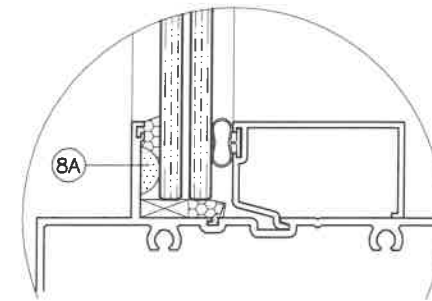
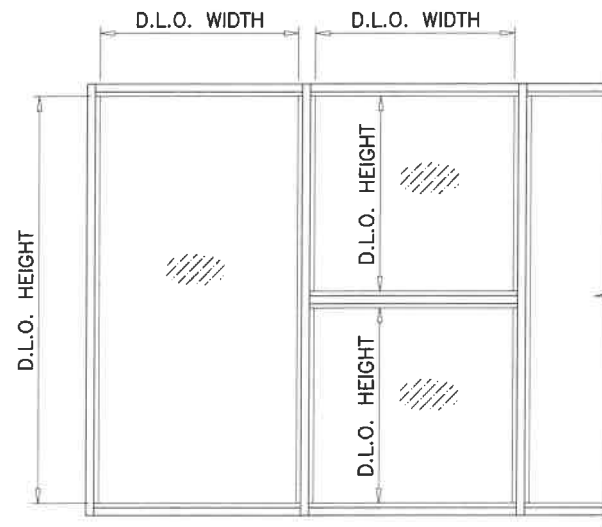
revisions:	no	date	by	description

date: 04-20-18
scale: 1/2"=1'-0"
dr. by: TARIQ
chk. by:

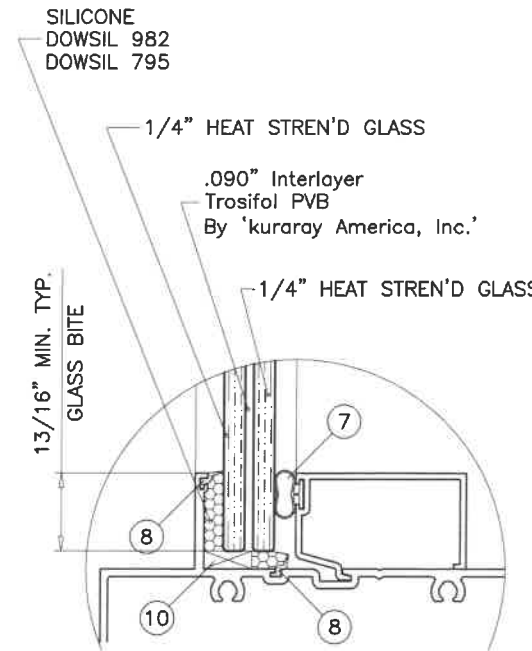
drawing no.
18-46F
sheet 1.1 of 12

GLASS LOAD CAPACITY - PSF			
NOMINAL DIMS.		GLASS TYPE 'A'	GLASS TYPE 'B'
D.L.O. WIDTH	D.L.O. HEIGHT	EXT.(+)/INT.(-)	EXT.(+)/INT.(-)
28"	84-1/2"	80.0	130.0
32"		80.0	130.0
36"		80.0	130.0
40"		80.0	130.0
44-1/4"		80.0	130.0
48"		80.0	130.0
52"		80.0	130.0
56-1/4"		80.0	130.0
28"	90-1/2"	80.0	130.0
32"		80.0	130.0
36"		80.0	130.0
40"		80.0	130.0
44-1/4"		80.0	130.0
48"		80.0	130.0
52"		80.0	130.0
28"	96-1/2"	80.0	130.0
32"		80.0	130.0
36"		80.0	130.0
40"		80.0	130.0
44-1/4"		80.0	130.0
48"		80.0	130.0
52"		80.0	127.2
28"	102-1/2"	80.0	130.0
32"		80.0	130.0
36"		80.0	130.0
40"		80.0	130.0
44-1/4"		80.0	130.0
48"		80.0	128.9
52"		80.0	127.2
28"	108-1/2"	80.0	130.0
32"		80.0	130.0
36"		80.0	130.0
40"		80.0	130.0
44-1/4"		80.0	130.0
48"		80.0	128.9
52"		80.0	127.2
28"	114-1/2"	80.0	130.0
32"		80.0	130.0
36"		80.0	130.0
40"		80.0	130.0
44-1/4"		80.0	130.0
48-1/2"		-	90.0
51-1/2"		-	90.0
28"	120-1/2"	-	90.0
48"		-	90.0
50"		-	90.0
28"	126-1/2"	-	90.0
48"		-	90.0
28"	132-1/2"	-	90.0
48"		-	90.0
28"	138-1/2"	-	90.0
48"		-	90.0

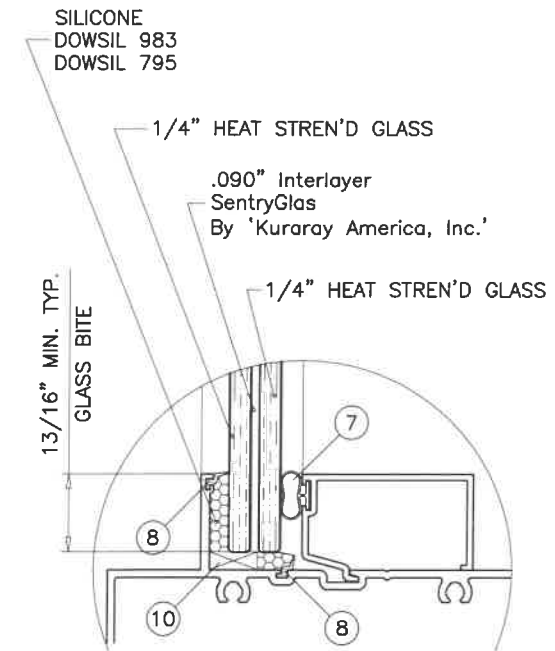
NOTE:
INTERPOLATION BETWEEN WIDTHS ALLOWED.



ALTERNATE BUTTON BUMPER (8A)
IN LIEU OF VINYL SPACER (8)



GLASS TYPE 'A'



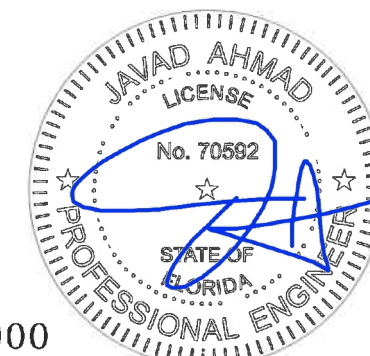
GLASS TYPE 'B'

GLAZING OPTIONS

NOTE:
GLASS CAPACITIES ON THIS SHEET ARE
BASED ON ASTM E1300-09 (3 SEC. GUSTS).

GLASS

FL #27000



AL-FAROOQ CORPORATION
ENGINEERS & PRODUCT DEVELOPMENT
9360 SUNSET DRIVE, SUITE 220
MIAMI, FLORIDA 33173 (C.A.N. 3538)
TEL. (305) 264-8100 FAX. (305) 262-6978

SERIES MC5000 ALUM WINDOW WALL SYSTEM (L.M.I.)
MR. GLASS DOORS & WINDOWS INC.
8120 N.W. 84 STREET
MEDLEY, FL. 33166
TEL. (305) 470-8284 FAX. (305) 470-8285

revisions:	no	date	by	description
date:	04-20-18	scale:	1/2"=1'-0"	
dr. by:	TARIQ	chk. by:		
drawing no.	18-46F			
sheet	2 of 12			

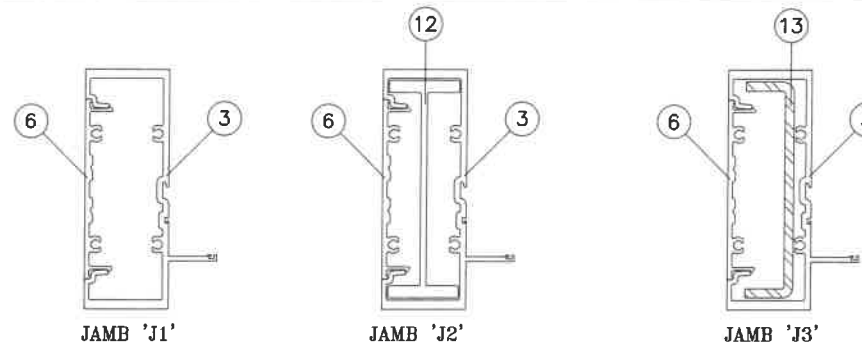
STORE 18-46F-MG

MULLION LOAD CAPACITY - PSF MULLIONS WITHOUT INTERMEDIATE HORIZONTALS						
NOMINAL DIMS.		JAMB 'J1'	JAMB 'J1'	JAMB 'J2'	JAMB 'J3'	UNANCHORED JAMB OPTIONS MULL OPTIONS
WIDTH (W)	FRAME HEIGHT	MULL 'M1'	MULL 'M2'	MULL 'M3'	MULL 'M4'	
		EXT. (+) INT. (-)	EXT. (+) INT. (-)	EXT. (+) INT. (-)	EXT. (+) INT. (-)	
30"	86-1/2"	130.0	130.0	130.0	130.0	
36"		130.0	130.0	130.0	130.0	
42"		130.0	130.0	130.0	130.0	
48"		130.0	130.0	130.0	130.0	
54"		130.0	130.0	130.0	130.0	
60"		127.3	130.0	130.0	130.0	
30"	90"	130.0	130.0	130.0	130.0	
36"		130.0	130.0	130.0	130.0	
42"		130.0	130.0	130.0	130.0	
48"		130.0	130.0	130.0	130.0	
54"		122.9	130.0	130.0	130.0	
60"		114.9	130.0	130.0	130.0	
30"	96"	130.0	130.0	130.0	130.0	
36"		130.0	130.0	130.0	130.0	
42"		121.1	130.0	130.0	130.0	
48"		108.6	130.0	130.0	130.0	
54"		99.4	130.0	125.6	130.0	
60"		92.4	130.0	116.3	130.0	
30"	98-1/2"	130.0	130.0	130.0	130.0	
36"		127.6	130.0	130.0	130.0	
42"		111.6	130.0	130.0	130.0	
48"		100.0	130.0	130.0	130.0	
54"		91.4	130.0	118.6	130.0	
58"		86.8	130.0	112.4	130.0	
30"	102"	130.0	130.0	130.0	130.0	
36"		114.5	130.0	130.0	130.0	
42"		100.0	130.0	130.0	130.0	
48"		89.5	130.0	120.9	130.0	
54"		81.6	130.0	109.8	130.0	
56"		79.4	127.7	106.7	130.0	
30"	108"	113.5	130.0	130.0	130.0	
36"		95.9	130.0	130.0	130.0	
42"		83.6	130.0	120.3	130.0	
48"		74.6	120.0	107.0	130.0	
53"		68.8	110.7	98.4	130.0	
30"		110-1/2"	105.9	130.0	130.0	130.0
36"	89.4		130.0	130.0	130.0	
42"	77.8		125.2	114.7	130.0	
48"	69.4		111.6	101.9	130.0	
52"	64.9		104.5	95.1	130.0	
30"	114"		96.2	130.0	130.0	130.0
36"		81.2	130.0	123.8	130.0	
42"		70.6	113.6	107.4	130.0	
48"		62.9	101.1	95.3	130.0	
50"		60.8	97.7	92.0	130.0	
30"		120"	82.3	130.0	130.0	130.0
36"	69.3		111.5	111.4	130.0	
42"	60.2		96.9	96.5	130.0	
48"	53.5		86.1	85.5	130.0	

NOTE:
INTERPOLATION BETWEEN WIDTHS ALLOWED.

MULLION LOAD CAPACITY - PSF
MULLIONS W/O INTERMEDIATE HORIZONTALS

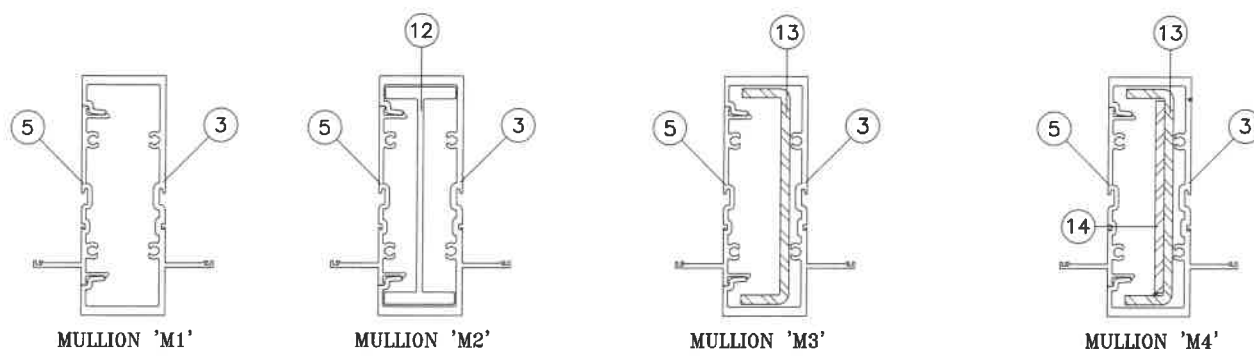
NOMINAL DIMS.		JAMB 'J2'	JAMB 'J3'	UNANCHORED JAMB OPTIONS MULL OPTIONS
WIDTH (W)	FRAME HEIGHT	EXT. (+) INT. (-)	MULL 'M4'	
54"	120"	90.0		
57"		90.0		
30"	126"	90.0		
36"		90.0		
42"		90.0		
48"		90.0		
54"		90.0		
30"		132"	90.0	
36"	90.0			
42"	90.0			
48"	90.0			
52"	90.0			
30"	138"		90.0	
36"		90.0		
42"		90.0		
48"		90.0		
50"		86.9		
30"		144"	90.0	
36"	90.0			
42"	89.4			
48"	79.0			



Ix IN ⁴	Sx IN ³
6.6509	2.6421

Ix IN ⁴	Sx IN ³
10.6486	4.4452

Ix IN ⁴	Sx IN ³	
6.6509	2.6421	
STEEL	2.7506	1.2225
TOTAL	14.6276	
Ix ALUM + Ix STL X 2.9		

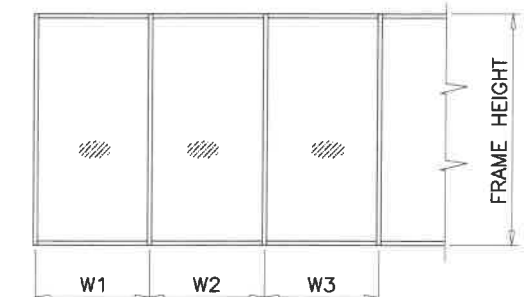


Ix IN ⁴	Sx IN ³
6.7195	2.6757

Ix IN ⁴	Sx IN ³
10.8072	3.7590

Ix IN ⁴	Sx IN ³	
6.7195	2.6757	
STEEL	2.7506	1.2225
TOTAL	14.6962	
Ix ALUM + Ix STL X 2.9		

Ix IN ⁴	Sx IN ³	
6.7195	2.6757	
STEEL	3.7533	1.668
TOTAL	17.6047	
Ix ALUM + Ix STL X 2.9		



WIDTH (W) = W1
AT FRAME JAMB

WIDTH (W) = $\frac{W2 + W3}{2}$
AT FRAME MULLION

MULLIONS

FL #27000

Sealed 04-20-18

a f c

AL-FAROOQ CORPORATION
ENGINEERS & PRODUCT DEVELOPMENT
9360 SUNSET DRIVE, SUITE 220
MIAMI, FLORIDA 33173 (C.A.N. 3538)
TEL. (305) 264-8100 FAX. (305) 262-6978

STORE 18-46F-MG

SERIES MG5000 ALUM WINDOW WALL SYSTEM (L.M.I.)

MR. GLASS DOORS & WINDOWS INC.
8120 N.W. 84 STREET
MEDLEY, FL. 33166
TEL. (305) 470-8284 FAX. (305) 470-8285

revisions:	no	date	by	description

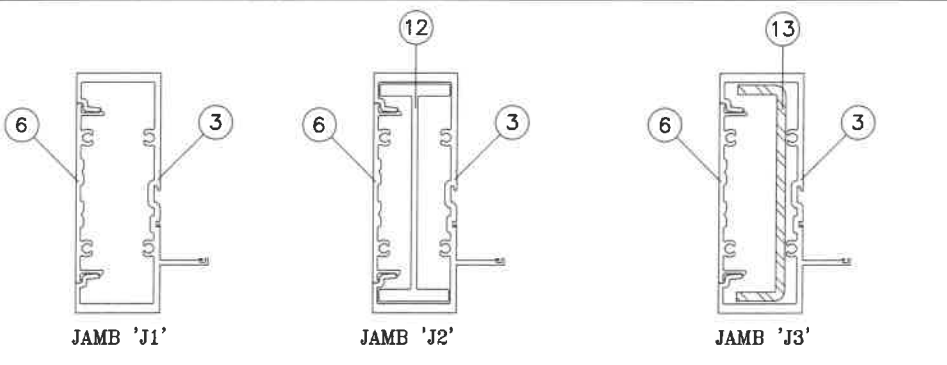
date: 04-20-18 scale: - dr. by: TARIQ chk. by:

drawing no. **18-46F**

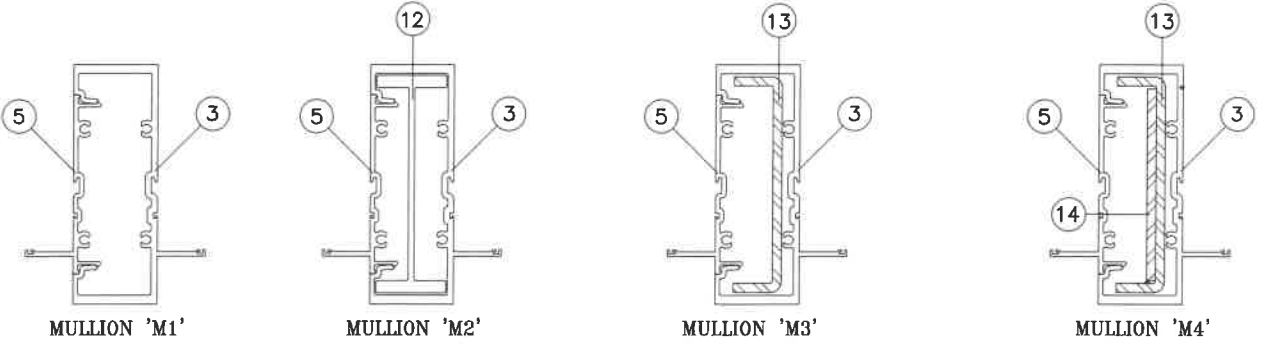
sheet 3 of 12

MULLION LOAD CAPACITY - PSF MULLIONS WITH INTERMEDIATE HORIZONTALS						
NOMINAL DIMS.		JAMB 'J1'	JAMB 'J1'	JAMB 'J2'	JAMB 'J3'	UNANCHORED JAMB OPTIONS MULL OPTIONS
WIDTH (W)	FRAME HEIGHT	MULL 'M1'	MULL 'M2'	MULL 'M3'	MULL 'M4'	
		EXT. (+) INT. (-)	EXT. (+) INT. (-)	EXT. (+) INT. (-)	EXT. (+) INT. (-)	
30"	78"	130.0	130.0	130.0	130.0	
36"		130.0	130.0	130.0	130.0	
42"		130.0	130.0	130.0	130.0	
48"		130.0	130.0	130.0	130.0	
54"		130.0	130.0	130.0	130.0	
60"		130.0	130.0	130.0	130.0	
30"	86-1/2"	130.0	130.0	130.0	130.0	
36"		130.0	130.0	130.0	130.0	
42"		130.0	130.0	130.0	130.0	
48"		130.0	130.0	130.0	130.0	
54"		118.9	130.0	130.0	130.0	
60"		107.0	130.0	124.8	130.0	
30"	90"	130.0	130.0	130.0	130.0	
36"		130.0	130.0	130.0	130.0	
42"		130.0	130.0	130.0	130.0	
48"		119.2	130.0	130.0	130.0	
54"		105.9	130.0	128.1	130.0	
60"		95.3	130.0	115.3	130.0	
30"	96"	130.0	130.0	130.0	130.0	
36"		130.0	130.0	130.0	130.0	
42"		112.2	130.0	130.0	130.0	
48"		98.2	130.0	126.7	130.0	
54"		87.3	130.0	112.6	130.0	
60"		78.5	122.1	101.4	130.0	
30"	98-1/2"	130.0	130.0	130.0	130.0	
36"		121.2	130.0	130.0	130.0	
42"		103.9	130.0	130.0	130.0	
48"		90.9	130.0	120.3	130.0	
54"		80.8	128.9	107.0	130.0	
58"		75.2	120.0	99.6	130.0	
30"	102"	130.0	130.0	130.0	130.0	
36"		109.1	130.0	130.0	130.0	
42"		93.6	130.0	128.3	130.0	
48"		81.9	130.0	112.2	130.0	
54"		72.8	117.0	99.8	130.0	
56"		70.2	112.8	96.2	130.0	
30"	108"	110.3	130.0	130.0	130.0	
36"		91.9	130.0	130.0	130.0	
42"		78.8	126.8	114.4	130.0	
48"		69.0	110.9	100.1	130.0	
53"		62.5	100.4	90.7	130.0	
30"		110-1/2"	103.0	130.0	130.0	130.0
36"	85.8		130.0	127.5	130.0	
42"	73.6		118.3	109.3	130.0	
48"	64.4		103.6	95.6	130.0	
52"	59.4		95.6	88.3	130.0	
30"	114"		93.8	130.0	130.0	130.0
36"		78.2	125.7	119.8	130.0	
42"		67.0	107.8	102.7	130.0	
48"		58.6	94.3	89.8	130.0	
50"		56.3	90.5	86.2	130.0	
30"		120"	80.4	129.4	129.7	130.0
36"	67.0		107.8	108.1	130.0	
42"	57.5		92.4	92.7	130.0	
48"	50.3		80.9	81.1	130.0	

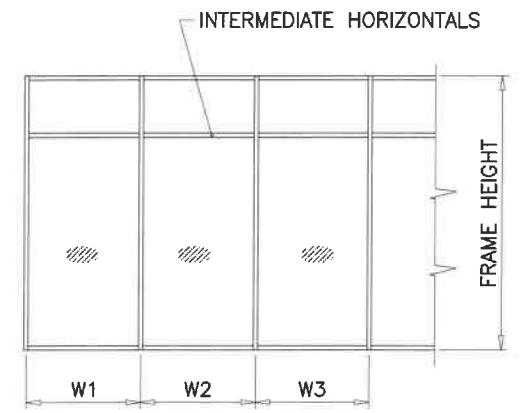
MULLION LOAD CAPACITY - PSF MULLIONS WITH INTERMEDIATE HORIZONTALS				
NOMINAL DIMS.		JAMB 'J2'	JAMB 'J3'	UNANCHORED JAMB OPTIONS MULL OPTIONS
WIDTH (W)	FRAME HEIGHT	MULL 'M1'	MULL 'M4'	
		EXT. (+) INT. (-)		
54"	120"	90.0		
57"		90.0		
30"	126"	90.0		
36"		90.0		
42"		90.0		
48"		90.0		
54"		90.0		
30"		132"	90.0	
36"	90.0			
42"	90.0			
48"	90.0			
52"	90.0			
30"	138"		90.0	
36"		90.0		
42"		90.0		
48"		86.6		
50"		83.1		
30"		144"	90.0	
36"	90.0			
42"	87.1			
48"	76.2			



I_x IN ⁴	S_x IN ³	I_x IN ⁴	S_x IN ³	I_x IN ⁴	S_x IN ³
6.6509	2.6421	10.6486	4.4452	6.6509	2.6421
ALUMINUM		ALUMINUM		ALUMINUM	
STEEL		STEEL		STEEL	
TOTAL		TOTAL		TOTAL	
I_x ALUM + I_x STL X 2.9		I_x ALUM + I_x STL X 2.9		I_x ALUM + I_x STL X 2.9	
6.6509		4.4452		14.6276	
2.6421		1.2225		1.2225	
14.6276		14.6276		14.6276	



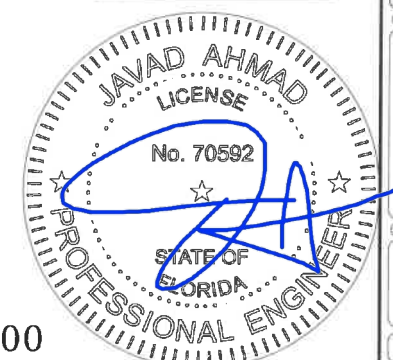
I_x IN ⁴	S_x IN ³	I_x IN ⁴	S_x IN ³	I_x IN ⁴	S_x IN ³	I_x IN ⁴	S_x IN ³
6.7195	2.6757	10.8072	3.7590	6.7195	2.6757	6.7195	2.6757
ALUMINUM		ALUMINUM		ALUMINUM		ALUMINUM	
STEEL		STEEL		STEEL		STEEL	
TOTAL		TOTAL		TOTAL		TOTAL	
I_x ALUM + I_x STL X 2.9		I_x ALUM + I_x STL X 2.9		I_x ALUM + I_x STL X 2.9		I_x ALUM + I_x STL X 2.9	
6.7195		3.7590		14.6962		17.6047	
2.6757		1.2225		1.2225		1.668	
14.6962		14.6962		14.6962		17.6047	



WIDTH (W) = W1
AT FRAME JAMB

WIDTH (W) = $\frac{W2 + W3}{2}$
AT FRAME MULLION

NOTE:
INTERPOLATION BETWEEN WIDTHS ALLOWED.



FL #27000

Sealed 04-20-18

afC
AL-FAROOQ CORPORATION
ENGINEERS & PRODUCT DEVELOPMENT
9360 SUNSET DRIVE, SUITE 220
MIAMI, FLORIDA 33173 (C.A.N. 3538)
TEL. (305) 262-6978 FAX. (305) 262-6978

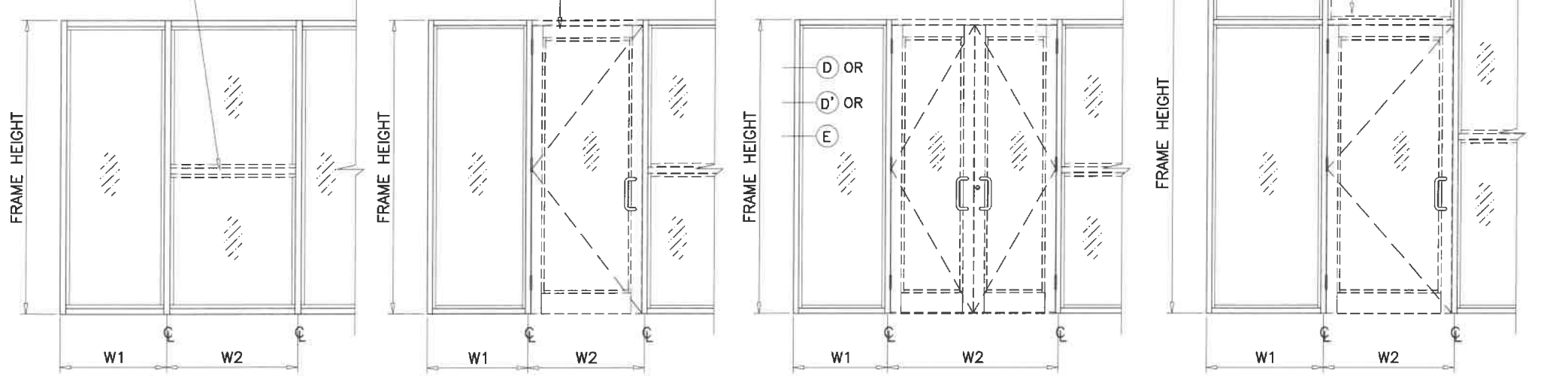
SERIES MG5000 ALUM WINDOW WALL SYSTEM (L.M.I.)
MR. GLASS DOORS & WINDOWS INC.
8120 N.W. 84 STREET
MEDLEY, FL. 33166
TEL. (305) 470-8284 FAX. (305) 470-8285

revisions:	no	date	by	description
date:	04-20-18	scale:	-	dr. by: TARIQ
chk. by:				
drawing no.	18-46F			
sheet	4 of 12			

INTERMEDIATE HORIZONTALS
OPTIONAL
ALL FIXED LITES

MR. GLASS DOOR
SEE SEPARATE APPROVAL

MR. GLASS DOOR & TRANSOM
SEE SEPARATE APPROVAL

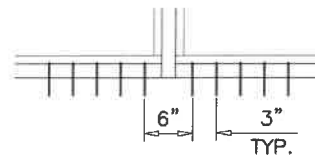
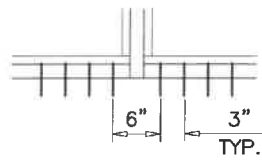
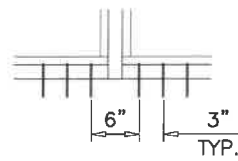
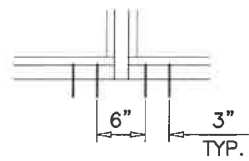
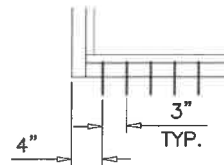
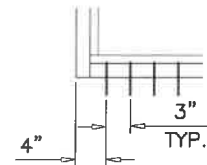
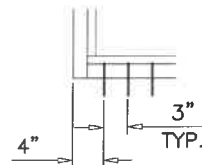
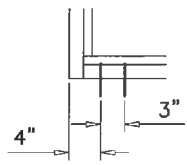


$$\text{WIDTH (W)} = \frac{W1 + W2}{2}$$

$$\text{WIDTH (W)} = \frac{W1 + W2}{2}$$

$$\text{WIDTH (W)} = \frac{W1}{2} + \frac{W2}{4}$$

$$\text{WIDTH (W)} = \frac{W1 + W2}{2}$$



A2, B2, C2, D2

A3, B3, C3, D3

A4, B4, C4, D4

A5, B5, C5

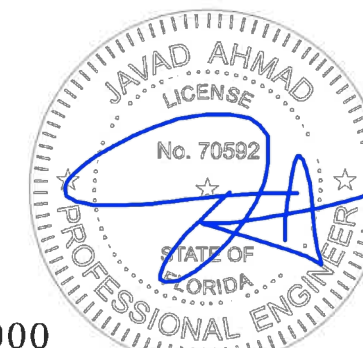
ANCHORS TYPES: SEE SHEET 8 FOR DESCRIPTION

- A2 = (2) ANCHORS TYPE 'A' AT EACH SIDE OF JAMB AND MULLION
- B2 = (2) ANCHORS TYPE 'B' AT EACH SIDE OF JAMB AND MULLION
- C2 = (2) ANCHORS TYPE 'C' AT EACH SIDE OF JAMB AND MULLION
- D2 = (2) ANCHORS TYPE 'D' AT EACH SIDE OF JAMB AND MULLION
- A3 = (3) ANCHORS TYPE 'A' AT EACH SIDE OF JAMB AND MULLION
- B3 = (3) ANCHORS TYPE 'B' AT EACH SIDE OF JAMB AND MULLION
- C3 = (3) ANCHORS TYPE 'C' AT EACH SIDE OF JAMB AND MULLION
- D3 = (3) ANCHORS TYPE 'D' AT EACH SIDE OF JAMB AND MULLION
- A4 = (4) ANCHORS TYPE 'A' AT EACH SIDE OF JAMB AND MULLION
- B4 = (4) ANCHORS TYPE 'B' AT EACH SIDE OF JAMB AND MULLION
- C4 = (4) ANCHORS TYPE 'C' AT EACH SIDE OF JAMB AND MULLION
- D4 = (4) ANCHORS TYPE 'D' AT EACH SIDE OF JAMB AND MULLION
- A5 = (5) ANCHORS TYPE 'A' AT EACH SIDE OF JAMB AND MULLION
- B5 = (5) ANCHORS TYPE 'B' AT EACH SIDE OF JAMB AND MULLION
- C5 = (5) ANCHORS TYPE 'C' AT EACH SIDE OF JAMB AND MULLION

ALL OTHER ANCHORS TO BE SPACED AS PER ELEVATION.

SEE SHEETS 5, 5.1, 5.2 & 7 FOR ANCHOR CAPACITY CHART.
SEE SHEET 8 FOR ANCHOR DESCRIPTION.

ANCHORS



FL #27000

Sealed 04-20-18

af c
AL-FAROOQ CORPORATION
ENGINEERS & PRODUCT DEVELOPMENT
9360 SUNSET DRIVE, SUITE 220
MIAMI, FLORIDA 33173 (C.A.N. 3538)
TEL. (305) 264-8100 FAX. (305) 262-6978
STORE 18-46F-MG

SERIES MC5000 ALUM WINDOW WALL SYSTEM (L.M.I.)
MR. GLASS DOORS & WINDOWS INC.
8120 N.W. 84 STREET
MEDLEY, FL. 33166
TEL. (305) 470-8284 FAX. (305) 470-8285

revisions:	no	date	by	description

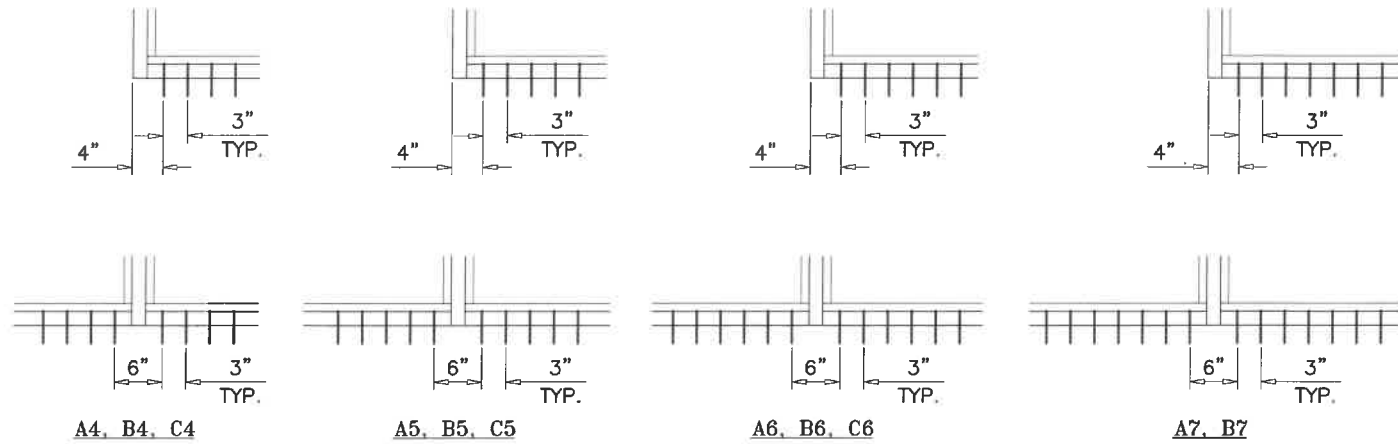
date: 04-20-18
scale: -
dr. by: TARIQ
chk. by:

drawing no.
18-46F
sheet 5 of 12

ANCHOR LOAD CAPACITY - PSF
EXT.(+) & INT.(-)

NOMINAL DIMS.		ANCHORS TYPE 'A'								ANCHORS TYPE 'B'								ANCHORS TYPE 'C'								1/4" MAX. SHIM		
		3/8" SHIM SPACE				1/2" SHIM SPACE				3/8" SHIM SPACE				1/2" SHIM SPACE				3/8" SHIM SPACE				1/2" SHIM SPACE				ANCHORS TYPE 'D'		
		A2	A3	A4	A5	A2	A3	A4	A5	B2	B3	B4	B5	B2	B3	B4	B5	C2	C3	C4	C5	C2	C3	C4	C5	D2	D3	D4
30"	120"	44.2	66.2	88.1	110.4	34.6	51.8	69.1	86.4	49.0	73.4	97.9	122.4	38.4	57.6	76.8	96.0	83.5	124.8	130.0	130.0	65.9	98.9	130.0	130.0	125.1	130.0	130.0
36"		36.8	55.2	73.4	92.0	28.8	43.2	57.6	72.0	40.8	61.2	81.6	102.0	32.0	48.0	64.0	80.0	69.6	104.0	130.0	130.0	54.9	82.4	109.9	130.0	104.3	130.0	130.0
42"		31.5	47.3	62.9	78.9	24.7	37.0	49.4	61.7	35.0	52.5	69.9	87.4	27.4	41.1	54.9	68.6	59.7	89.1	119.3	130.0	47.1	70.6	94.2	117.7	89.4	130.0	130.0
48"		27.6	41.4	55.1	69.0	21.6	32.4	43.2	54.0	30.6	45.9	61.2	76.5	24.0	36.0	48.0	60.0	52.2	78.0	104.4	130.0	41.2	61.8	82.4	103.0	78.2	117.3	130.0
54"		24.5	36.8	48.9	61.3	-	28.8	38.4	48.0	27.2	40.8	54.4	68.0	21.3	32.0	42.7	53.3	46.4	69.3	90.0	90.0	36.6	54.9	73.2	90.0	69.5	90.0	90.0
30"	126"	42.1	63.1	83.9	90.0	32.9	49.4	65.8	82.3	46.6	69.9	90.0	90.0	36.6	54.9	73.1	90.0	79.5	90.0	90.0	90.0	62.8	90.0	90.0	90.0	90.0	90.0	90.0
36"		35.0	52.6	69.9	87.6	27.4	41.1	54.9	68.6	38.9	58.3	77.7	90.0	30.5	45.7	61.0	76.2	66.3	90.0	90.0	90.0	52.3	78.5	90.0	90.0	90.0	90.0	90.0
42"		30.0	45.1	59.9	75.1	23.5	35.3	47.0	58.8	33.3	50.0	66.6	83.3	26.1	39.2	52.2	65.3	56.8	84.9	90.0	90.0	44.8	67.3	89.7	90.0	85.1	90.0	90.0
48"		26.3	39.4	52.4	65.7	20.6	30.9	41.1	51.4	29.1	43.7	58.3	72.9	22.9	34.3	45.7	57.1	49.7	74.3	90.0	90.0	39.2	58.9	78.5	90.0	74.5	90.0	90.0
54"		23.4	35.0	46.6	58.4	-	27.4	36.6	45.7	25.9	38.9	51.8	64.8	20.3	30.5	40.6	50.8	44.2	66.0	88.4	90.0	34.9	52.3	69.8	87.2	66.2	90.0	90.0
30"	132"	40.1	60.2	80.1	90.0	31.4	47.1	62.8	78.5	44.5	66.8	89.0	90.0	34.9	52.4	69.8	87.3	75.9	90.0	90.0	90.0	59.9	89.9	90.0	90.0	90.0	90.0	90.0
36"		33.5	50.2	66.7	83.6	26.2	39.3	52.4	65.5	37.1	55.6	74.2	90.0	29.1	43.6	58.2	72.7	63.3	90.0	90.0	90.0	49.9	74.9	90.0	90.0	90.0	90.0	90.0
42"		28.7	43.0	57.2	71.7	22.4	33.7	44.9	56.1	31.8	47.7	63.6	79.5	24.9	37.4	49.9	62.3	54.2	81.0	90.0	90.0	42.8	64.2	85.6	90.0	81.2	90.0	90.0
48"		25.1	37.6	50.0	62.7	-	29.5	39.3	49.1	27.8	41.7	55.6	69.5	21.8	32.7	43.6	54.5	47.5	70.9	90.0	90.0	37.5	56.2	74.9	90.0	71.1	90.0	90.0
54"		23.4	35.0	46.6	58.4	-	27.4	36.6	45.7	25.9	38.9	51.8	64.8	20.3	30.5	40.6	50.8	44.2	66.0	88.4	90.0	34.9	52.3	69.8	87.2	66.2	90.0	90.0
30"	138"	38.4	57.6	76.6	90.0	30.1	45.1	60.1	75.1	42.6	63.9	85.1	90.0	33.4	50.1	66.8	83.5	72.6	90.0	90.0	90.0	57.3	86.0	90.0	90.0	90.0	90.0	90.0
36"		32.0	48.0	63.8	80.0	25.0	37.6	50.1	62.6	35.5	53.2	71.0	88.7	27.8	41.7	55.7	69.6	60.5	90.0	90.0	90.0	47.8	71.7	90.0	90.0	90.0	90.0	90.0
42"		27.4	41.1	54.7	68.6	21.5	32.2	42.9	53.7	30.4	45.6	60.8	76.0	23.9	35.8	47.7	59.6	51.9	77.5	90.0	90.0	40.9	61.4	81.9	90.0	77.7	90.0	90.0
48"		24.0	36.0	47.9	60.0	-	28.2	37.6	47.0	26.6	39.9	53.2	66.5	20.9	31.3	41.7	52.2	45.4	67.8	90.0	90.0	35.8	53.7	71.7	89.6	68.0	90.0	90.0
54"		23.4	35.0	46.6	58.4	-	27.4	36.6	45.7	25.9	38.9	51.8	64.8	20.3	30.5	40.6	50.8	44.2	66.0	88.4	90.0	34.9	52.3	69.8	87.2	66.2	90.0	90.0
30"	144"	36.8	55.2	73.4	90.0	28.8	43.2	57.6	72.0	40.8	61.2	81.6	90.0	32.0	48.0	64.0	80.0	69.6	90.0	90.0	90.0	54.9	82.4	90.0	90.0	90.0	90.0	90.0
36"		30.7	46.0	61.2	76.7	24.0	36.0	48.0	60.0	34.0	51.0	68.0	85.0	26.7	40.0	53.3	66.7	58.0	86.7	90.0	90.0	45.8	68.7	90.0	90.0	86.9	90.0	90.0
42"		26.3	39.4	52.4	65.7	20.6	30.9	41.1	51.4	29.1	43.7	58.3	72.9	22.9	34.3	45.7	57.1	49.7	74.3	90.0	90.0	39.2	58.9	78.5	90.0	74.5	90.0	90.0
48"		23.0	34.5	45.9	57.5	-	27.0	36.0	45.0	25.5	38.3	51.0	63.8	20.0	30.0	40.0	50.0	43.5	65.0	87.0	90.0	34.3	51.5	68.7	85.8	65.2	90.0	90.0
54"		23.4	35.0	46.6	58.4	-	27.4	36.6	45.7	25.9	38.9	51.8	64.8	20.3	30.5	40.6	50.8	44.2	66.0	88.4	90.0	34.9	52.3	69.8	87.2	66.2	90.0	90.0

INTERPOLATION BETWEEN WIDTHS OR HEIGHTS ALLOWED.

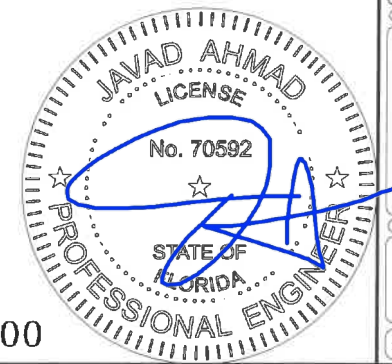


ANCHORS TYPES: SEE SHEET 8 FOR DESCRIPTION

- A4 = (4) ANCHORS TYPE 'A' AT EACH SIDE OF JAMB AND MULLION
- B4 = (4) ANCHORS TYPE 'B' AT EACH SIDE OF JAMB AND MULLION
- C4 = (4) ANCHORS TYPE 'C' AT EACH SIDE OF JAMB AND MULLION
- D4 = (4) ANCHORS TYPE 'D' AT EACH SIDE OF JAMB AND MULLION
- A5 = (5) ANCHORS TYPE 'A' AT EACH SIDE OF JAMB AND MULLION
- B5 = (5) ANCHORS TYPE 'B' AT EACH SIDE OF JAMB AND MULLION
- C5 = (5) ANCHORS TYPE 'C' AT EACH SIDE OF JAMB AND MULLION
- A6 = (6) ANCHORS TYPE 'A' AT EACH SIDE OF JAMB AND MULLION
- B6 = (6) ANCHORS TYPE 'B' AT EACH SIDE OF JAMB AND MULLION
- C6 = (6) ANCHORS TYPE 'C' AT EACH SIDE OF JAMB AND MULLION
- A7 = (7) ANCHORS TYPE 'A' AT EACH SIDE OF JAMB AND MULLION
- B7 = (7) ANCHORS TYPE 'B' AT EACH SIDE OF JAMB AND MULLION

ALL OTHER ANCHORS TO BE SPACED AS PER ELEVATION.

ANCHORS



FL #27000

af c

AL-FAROOQ CORPORATION
ENGINEERS & PRODUCT DEVELOPMENT
9360 SUNSET DRIVE, SUITE 220
MIAMI, FLORIDA 33173 (C.A.N. 3538)
TEL. (305) 264-8100 FAX. (305) 262-6978

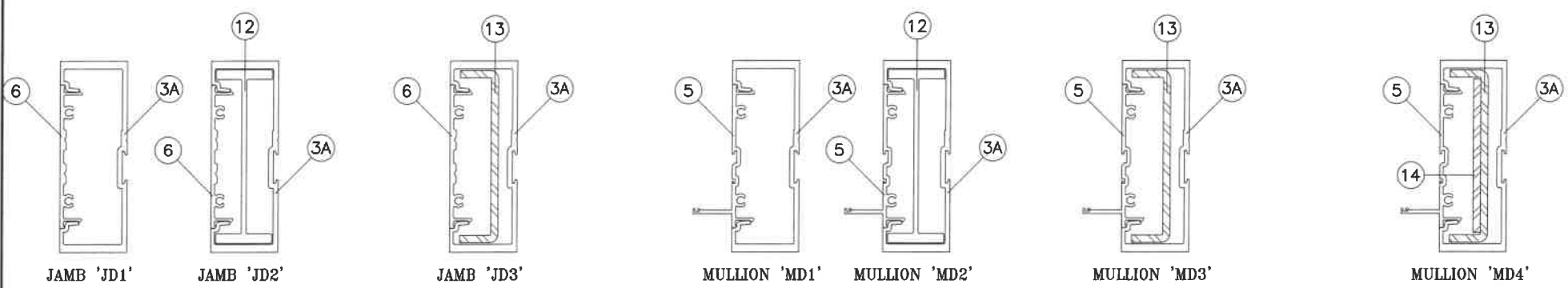
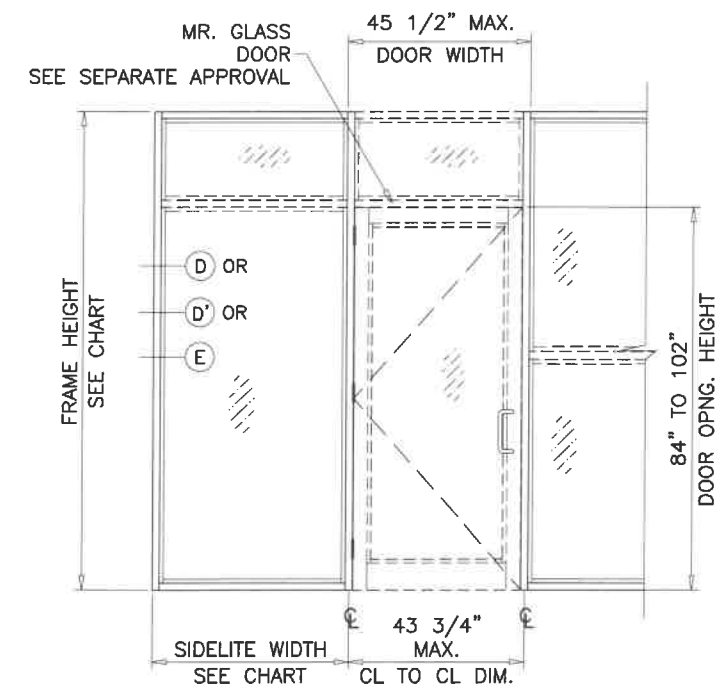
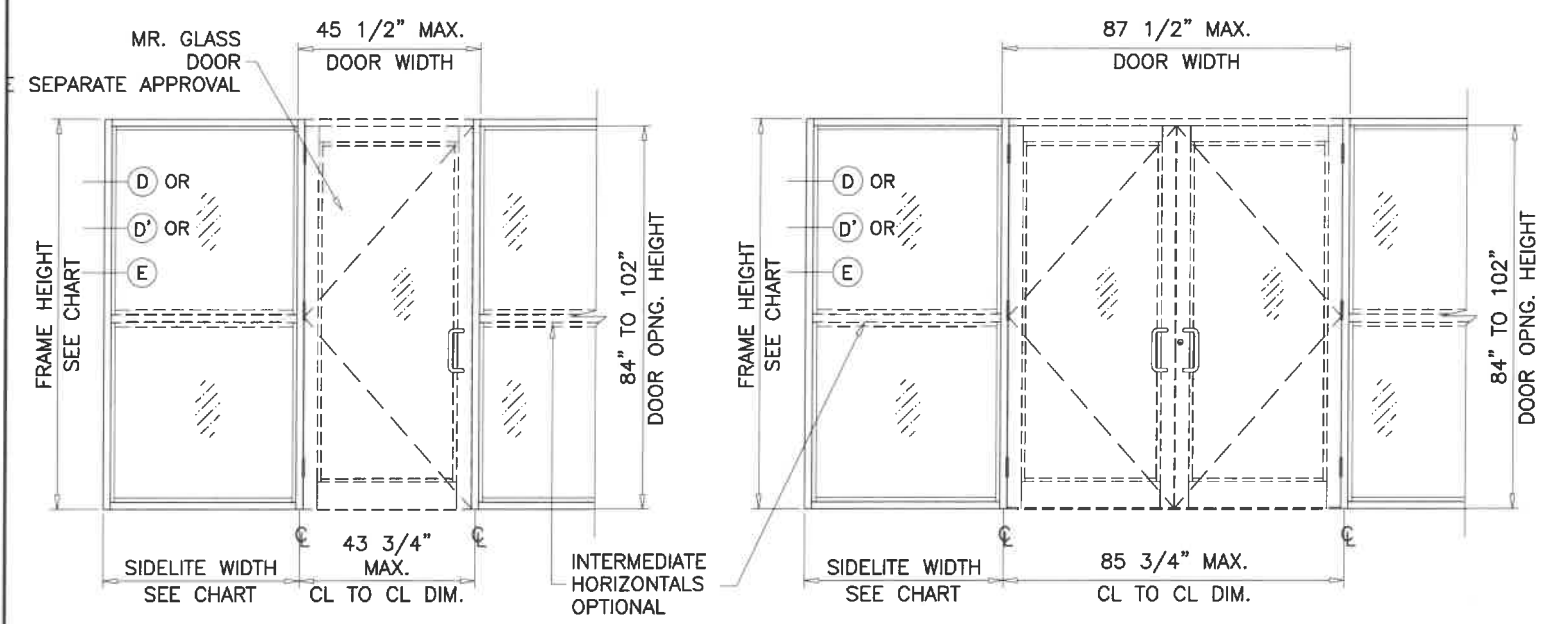
SERIES MG5000 ALUM WINDOW WALL SYSTEM (L.M.I.)

MR. GLASS DOORS & WINDOWS INC.
8120 N.W. 84 STREET
MEDLEY, FL. 33166
TEL. (305) 470-8284 FAX. (305) 470-8285

revisions:	no	date	by	description
date:	04-20-18	scale:	-	
dr. by:	TARIQ	chk. by:		
drawing no.	18-46F			
sheet	5.2 of 12			

DOOR MULLION LOAD CAPACITY-PSF					
SIDELITE WIDTH INCHES	FRAME HEIGHT INCHES	JAMB 'JD1'	JAMB 'JD1'	JAMB 'JD2'	JAMB 'JD3'
		MULL 'MD1'	MULL 'MD2'	MULL 'MD3'	MULL 'MD4'
		EXT. (+) INT. (-)	EXT. (+) INT. (-)	EXT. (+) INT. (-)	EXT. (+) INT. (-)
32	86-1/2	120.0	120.0	120.0	120.0
36		120.0	120.0	120.0	120.0
42		120.0	120.0	120.0	120.0
48		120.0	120.0	120.0	120.0
54		120.0	120.0	120.0	120.0
60		120.0	120.0	120.0	120.0
32	98-1/2	112.6	120.0	120.0	120.0
36		107.1	120.0	120.0	120.0
42		99.7	120.0	120.0	120.0
48		93.3	120.0	120.0	120.0
54		87.7	120.0	116.1	120.0
32	110-1/2	79.8	120.0	118.5	120.0
36		75.8	120.0	112.6	120.0
42		70.6	113.6	104.9	120.0
48		66.1	106.3	98.2	120.0

DOOR MULLION LOAD CAPACITY-PSF					
SIDELITE WIDTH INCHES	FRAME HEIGHT INCHES	JAMB 'JD1'	JAMB 'JD1'	JAMB 'JD2'	JAMB 'JD3'
		MULL 'MD1'	MULL 'MD2'	MULL 'MD3'	MULL 'MD4'
		EXT. (+) INT. (-)	EXT. (+) INT. (-)	EXT. (+) INT. (-)	EXT. (+) INT. (-)
32	98-1/2	90.0	90.0	90.0	90.0
36		90.0	90.0	90.0	90.0
42		90.0	90.0	90.0	90.0
48		90.0	90.0	90.0	90.0
54		87.7	90.0	90.0	90.0
32	110-1/2	79.8	90.0	90.0	90.0
36		75.8	90.0	90.0	90.0
42		70.6	90.0	90.0	90.0
48		66.1	90.0	90.0	90.0
32	114	72.6	90.0	90.0	90.0
36		69.1	90.0	90.0	90.0
42		64.3	90.0	90.0	90.0
48		60.2	90.0	90.0	90.0
32	120	62.3	90.0	90.0	90.0
36		59.2	90.0	90.0	90.0
42		55.2	88.7	89.1	90.0
48		51.6	83.0	83.4	90.0



Ix IN ⁴	Sx IN ³	Ix IN ⁴	Sx IN ³
6.570	2.7226	10.6577	3.8057

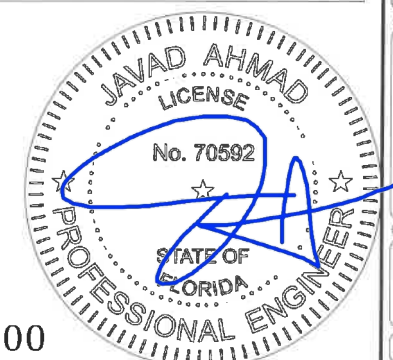
ALUMINUM	Ix IN ⁴	Sx IN ³
	6.570	2.7226
STEEL	2.7506	1.2224
TOTAL	Ix ALUM + Ix STL X 2.9	14.5467

Ix IN ⁴	Sx IN ³	Ix IN ⁴	Sx IN ³
6.7195	2.6757	10.8072	4.4788

ALUMINUM	Ix IN ⁴	Sx IN ³
	6.7195	2.6757
STEEL	2.7506	1.224
TOTAL	Ix ALUM + Ix STL X 2.9	14.6962

ALUMINUM	Ix IN ⁴	Sx IN ³
	6.7195	2.6757
STEEL	3.7533	1.668
TOTAL	Ix ALUM + Ix STL X 2.9	17.6041

DOOR-WINDOWALL
TRANSITION MULLION



FL #27000

AL-FAROOQ CORPORATION
ENGINEERS & PRODUCT DEVELOPMENT
9360 SUNSET DRIVE, SUITE 220
MIAMI, FLORIDA 33173 (C.A.N. 3538)
TEL. (305) 264-8100 FAX. (305) 262-6978

SERIES MG5000 ALUM WINDOW WALL SYSTEM (L.M.I.)
MR. GLASS DOORS & WINDOWS INC.
8120 N.W. 84 STREET
MEDLEY, FL. 33166
TEL. (305) 470-8284 FAX. (305) 470-8285

revisions:	no	date	by	description
date:	04-20-18	scale:	-	
dr. by:	TARIQ	chk. by:		
drawing no.	18-46F			
sheet	6 of 12			

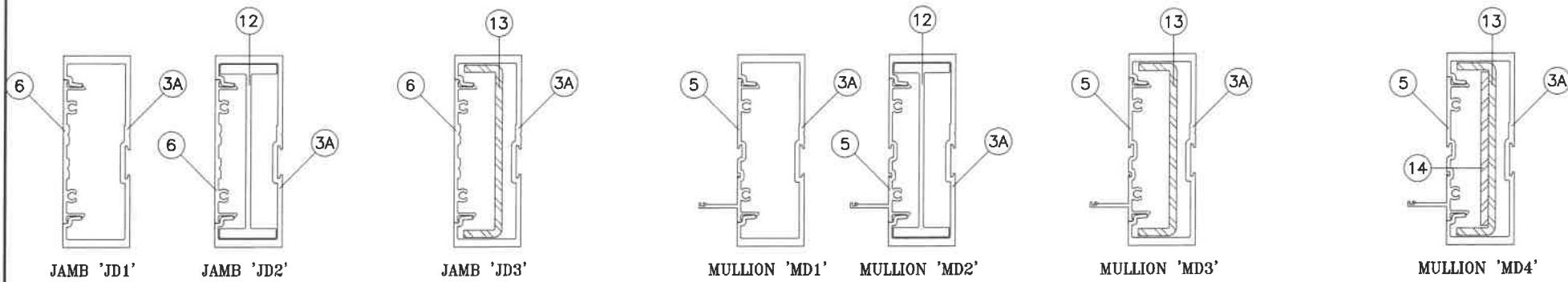
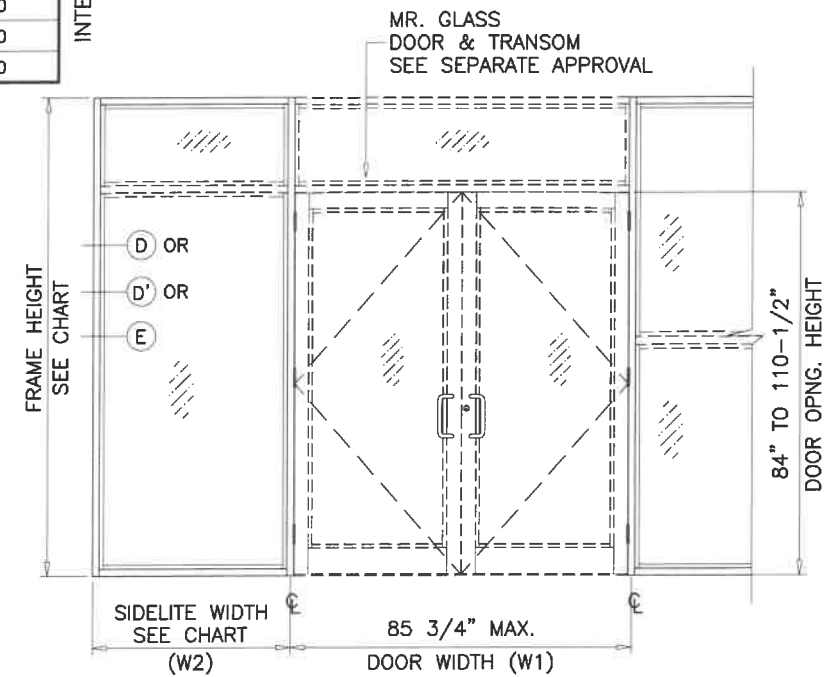
Sealed 04-20-18

STORE 18-46F-MG

DOOR MULLION LOAD CAPACITY - PSF							
NOMINAL DIMS.				JAMB 'JD1'	JAMB 'JD1'	JAMB 'JD2'	JAMB 'JD3'
WIDTH (W1)	WIDTH (W2)	FRAME HEIGHT	DOOR HEIGHT	MULL 'MD1'	MULL 'MD2'	MULL 'MD3'	MULL 'MD4'
INCHES	INCHES	INCHES	INCHES	EXT.(+) INT.(-)	EXT.(+) INT.(-)	EXT.(+) INT.(-)	EXT.(+) INT.(-)
85-3/4	30	96	84	90.0	90.0	90.0	90.0
				90.0	90.0	90.0	90.0
				90.0	90.0	90.0	90.0
				90.0	90.0	90.0	90.0
				90.0	90.0	90.0	90.0
				85.7	90.0	90.0	90.0
	36	102	84	90.0	90.0	90.0	90.0
				86.9	90.0	90.0	90.0
				81.5	90.0	90.0	90.0
				76.7	90.0	90.0	90.0
				72.5	90.0	89.0	90.0
				74.2	90.0	90.0	90.0
	42	108	84	69.5	90.0	89.1	90.0
				65.4	90.0	84.4	90.0
				61.7	90.0	80.2	90.0
				60.2	90.0	81.7	90.0
				56.6	90.0	77.4	90.0
				53.3	85.8	73.4	87.8
	48	114	84	50.5	81.2	69.9	83.5
				49.7	80.0	71.9	85.9
				46.8	75.3	68.1	81.5
				44.2	71.2	64.8	77.4
				41.9	67.5	61.7	73.8
				90.0	90.0	90.0	90.0
85-3/4	30	102	90	90.0	90.0	90.0	90.0
				86.6	90.0	90.0	90.0
				81.2	90.0	90.0	90.0
				76.5	90.0	90.0	90.0
	36	108	90	79.3	90.0	90.0	90.0
				74.0	90.0	90.0	90.0
				69.3	90.0	88.9	90.0
				65.2	90.0	84.3	90.0
	42	114	90	63.9	90.0	85.6	90.0
				59.9	90.0	80.8	90.0
				56.3	90.0	76.5	90.0
				53.1	85.4	72.7	86.9
48	120	90	52.4	84.2	74.5	89.1	
			49.2	79.1	70.5	84.3	
			46.3	74.5	66.9	80.0	
			43.8	70.5	63.6	76.1	

DOOR MULLION LOAD CAPACITY - PSF							
NOMINAL DIMS.				JAMB 'JD1'	JAMB 'JD1'	JAMB 'JD2'	JAMB 'JD3'
WIDTH (W1)	WIDTH (W2)	FRAME HEIGHT	DOOR HEIGHT	MULL 'MD1'	MULL 'MD2'	MULL 'MD3'	MULL 'MD4'
INCHES	INCHES	INCHES	INCHES	EXT.(+) INT.(-)	EXT.(+) INT.(-)	EXT.(+) INT.(-)	EXT.(+) INT.(-)
85-3/4	30	108	96	84.6	90.0	90.0	90.0
				78.6	90.0	90.0	90.0
				73.4	90.0	90.0	90.0
				68.8	90.0	89.7	90.0
				68.2	90.0	90.0	90.0
				63.5	90.0	85.3	90.0
	36	114	96	59.5	90.0	80.6	90.0
				56.0	90.0	76.3	90.0
				55.5	89.3	78.0	90.0
				51.9	83.5	73.6	88.0
				48.8	78.5	69.7	83.3
				46.0	74.0	66.2	79.1
85-3/4	30	114	102	72.4	90.0	90.0	90.0
				67.2	90.0	90.0	90.0
				62.7	90.0	85.9	90.0
				58.8	90.0	81.1	90.0
				59.0	90.0	82.6	90.0
				55.0	88.4	77.7	90.0
	36	120	102	51.5	82.8	73.3	87.7
				48.4	77.8	69.4	83.0
				63.7	90.0	90.0	90.0
				59.0	90.0	85.7	90.0
				55.0	88.4	80.4	90.0
				51.5	82.8	75.7	90.0

INTERPOLATION BETWEEN WIDTHS OR HEIGHTS ALLOWED.



Ix IN ⁴	Sx IN ³	Ix IN ⁴	Sx IN ³
6.570	2.7226	10.6577	3.8057

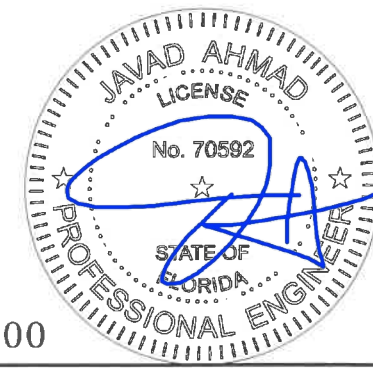
ALUMINUM	Ix IN ⁴	Sx IN ³
STEEL	2.7506	1.2224
TOTAL	Ix ALUM + Ix STL X 2.9	14.5467

Ix IN ⁴	Sx IN ³	Ix IN ⁴	Sx IN ³
6.7195	2.6757	10.8072	4.4788

ALUMINUM	Ix IN ⁴	Sx IN ³
STEEL	2.7506	1.224
TOTAL	Ix ALUM + Ix STL X 2.9	14.6962

ALUMINUM	Ix IN ⁴	Sx IN ³
STEEL	3.7533	1.668
TOTAL	Ix ALUM + Ix STL X 2.9	17.6041

DOOR-WINDOWALL TRANSITION MULLION



FL #27000

AL-FAROOQ CORPORATION
ENGINEERS & PRODUCT DEVELOPMENT
9360 SUNSET DRIVE, SUITE 220
MIAMI, FLORIDA 33173
TEL. (305) 264-8100 FAX. (305) 262-6978

SERIES MG5000 ALUM WINDOW WALL SYSTEM (L.M.I.)
MR. GLASS DOORS & WINDOWS INC.
8120 N.W. 84 STREET
MEDLEY, FL. 33166
TEL. (305) 470-8284 FAX. (305) 470-8285

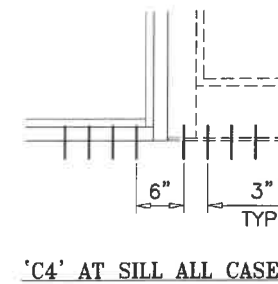
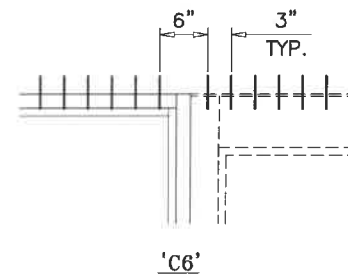
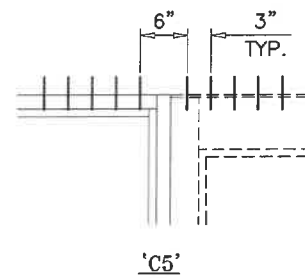
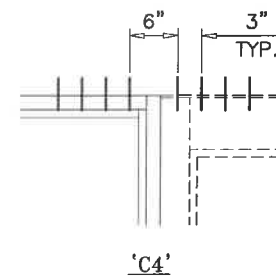
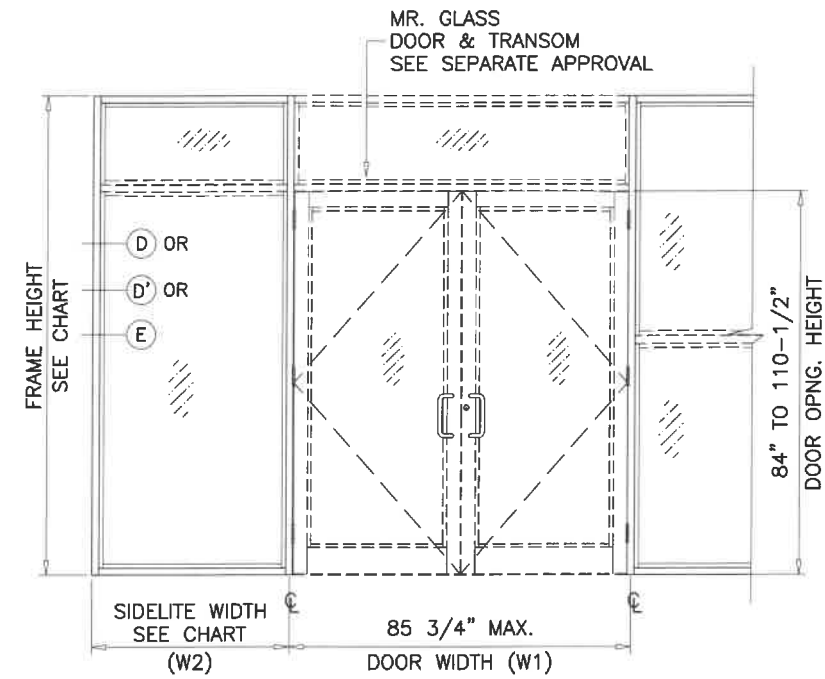
revisions:	no	date	by	description
date:	04-20-18	scale:	-	dr. by: TARIQ
chk. by:				

drawing no.
18-46F
sheet 6.1 of 12

DOOR MULLION HEAD ANCHOR LOAD CAPACITY - PSF							
NOMINAL DIMS.				'C4'	'C5'	'C6'	
WIDTH (W1) INCHES	WIDTH (W2) INCHES	FRAME HEIGHT INCHES	DOOR HEIGHT INCHES	EXT.(+) INT.(-)	EXT.(+) INT.(-)	EXT.(+) INT.(-)	
85-3/4	96	84	84	30	89.6	90.0	
				36	85.0	90.0	
				42	80.8	90.0	
				48	77.0	90.0	
				54	73.6	90.0	
				60	70.4	90.0	
	102	84	84	30	86.0	90.0	
				36	81.5	90.0	
				42	77.4	90.0	
				48	73.8	90.0	
				54	70.4	90.0	
				60	67.0	90.0	
	108	84	84	30	82.7	90.0	
				36	78.3	90.0	
				42	74.3	90.0	
				48	70.8	90.0	
				54	67.4	90.0	
				60	64.0	90.0	
	114	84	84	30	79.7	90.0	
				36	75.4	90.0	
				42	71.5	90.0	
				48	68.0	90.0	
				54	64.6	90.0	
				60	61.2	90.0	
120	84	84	30	76.9	90.0		
			36	72.6	90.0		
			42	68.9	90.0		
			48	65.4	90.0		
			54	62.0	90.0		
			60	58.6	90.0		
85-3/4	102	90	90	30	84.1	90.0	
				36	79.7	90.0	
				42	75.8	90.0	
				48	72.3	90.0	
				54	69.1	90.0	
				60	66.0	90.0	
	108	90	90	90	30	80.9	90.0
					36	76.7	90.0
					42	72.9	90.0
					48	69.4	90.0
					54	66.2	90.0
					60	63.0	90.0
114	90	90	90	30	78.0	90.0	
				36	73.9	90.0	
				42	70.1	90.0	
				48	66.8	90.0	
				54	63.6	90.0	
				60	60.4	90.0	
120	90	90	90	30	75.3	90.0	
				36	71.2	90.0	
				42	67.6	90.0	
				48	64.3	90.0	
				54	61.0	90.0	
				60	57.8	90.0	

DOOR MULLION HEAD ANCHOR LOAD CAPACITY - PSF							
NOMINAL DIMS.				'C4'	'C5'	'C6'	
WIDTH (W1) INCHES	WIDTH (W2) INCHES	FRAME HEIGHT INCHES	DOOR HEIGHT INCHES	EXT.(+) INT.(-)	EXT.(+) INT.(-)	EXT.(+) INT.(-)	
85-3/4	108	96	96	30	79.2	90.0	
				36	75.1	90.0	
				42	71.5	90.0	
				48	68.1	90.0	
				54	64.7	90.0	
				60	61.4	90.0	
	114	96	96	96	30	76.4	90.0
					36	72.4	90.0
					42	68.8	90.0
					48	65.6	90.0
					54	62.4	90.0
					60	59.2	90.0
120	96	96	96	30	73.8	90.0	
				36	69.9	90.0	
				42	66.4	90.0	
				48	63.2	90.0	
				54	60.0	90.0	
				60	56.8	90.0	
85-3/4	114	102	102	30	74.9	90.0	
				36	71.0	90.0	
				42	67.6	90.0	
				48	64.4	90.0	
				54	61.2	90.0	
				60	58.0	90.0	
	120	102	102	102	30	72.4	90.0
					36	68.6	90.0
					42	65.2	90.0
					48	62.1	90.0
					54	59.0	90.0
					60	55.9	90.0
85-3/4	120	110-1/2	110-1/2	30	70.4	90.0	
				36	66.8	90.0	
				42	63.6	90.0	
				48	60.7	90.0	
				54	57.6	90.0	
				60	54.5	90.0	

INTERPOLATION BETWEEN WIDTHS OR HEIGHTS ALLOWED.



TRANSITION MULLION ANCHORS

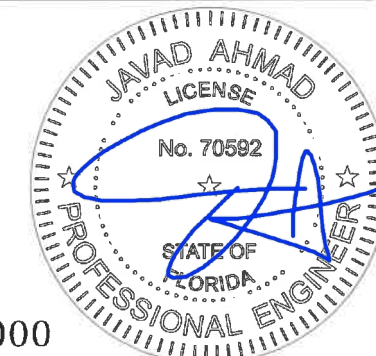
ANCHORS TYPES: SEE SHEET 8 FOR DESCRIPTION

C4 = (4) ANCHORS TYPE 'C' AT EACH SIDE OF DOOR MULLION

C5 = (5) ANCHORS TYPE 'C' AT EACH SIDE OF DOOR MULLION

C6 = (6) ANCHORS TYPE 'C' AT EACH SIDE OF DOOR MULLION

ALL OTHER ANCHORS TO BE SPACED AS PER ELEVATION.



FL #27000

MR. GLASS DOOR & TRANSOM
SEE SEPARATE APPROVAL

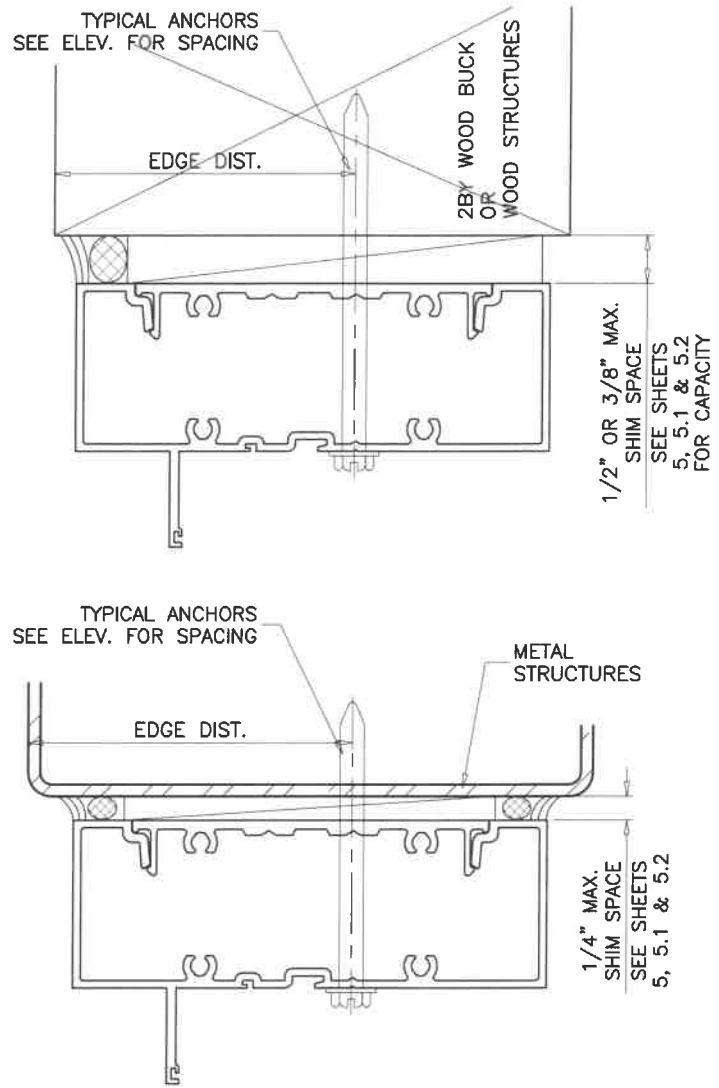
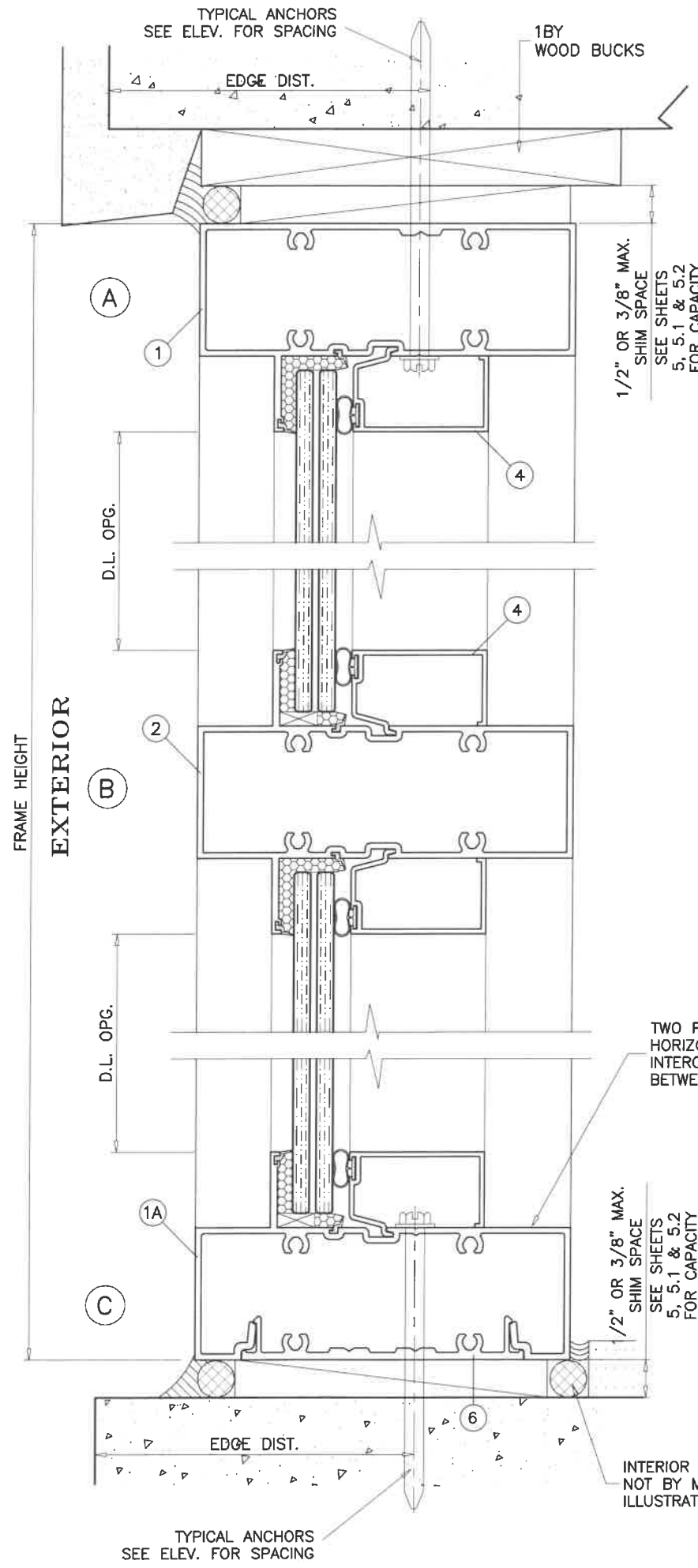
AL-FAROOQ CORPORATION
ENGINEERS & PRODUCT DEVELOPMENT
9360 SUNSET DRIVE, SUITE 220
MIAMI, FLORIDA 33173 (C.A.N. 3538)
TEL. (305) 264-8100 FAX. (305) 262-6978

SERIES MG5000 ALUM WINDOW WALL SYSTEM (L.M.I.)
MR. GLASS DOORS & WINDOWS INC.
8120 N.W. 84 STREET
MEDLEY, FL. 33166
TEL. (305) 470-8284 FAX. (305) 470-8285

no	date	by	description

date: 04-20-18
scale: -
dr. by: TARIQ
chk. by:

drawing no.
18-46F
sheet 7 of 12



TYPICAL ANCHORS: SEE ELEV. FOR SPACING

TYPE 'A'- 1/4" DIA ULTRACON BY 'ELCO' (Fu=177 KSI, Fy=155 KSI)
 INTO 2BY WOOD BUCKS OR WOOD STRUCTURES WITH 1-1/2" MIN. PENETRATION INTO WOOD
 THRU 1BY WOOD BUCKS INTO CONCRETE WITH 1-1/4" MIN. EMBED INTO CONCRETE
 DIRECTLY INTO CONCRETE WITH 1-1/4" MIN. EMBED INTO CONC.

ANCHOR EDGE DISTANCES

INTO CONCRETE AND MASONRY = 2-1/2" MIN.
 INTO WOOD STRUCTURE = 1" MIN.

TYPE 'B'- 1/4" DIA KWIK CON II BY 'HILTI' (Fu=163 KSI, Fy=157 KSI)
 INTO 2BY WOOD BUCKS OR WOOD STRUCTURES WITH 1-1/2" MIN. PENETRATION INTO WOOD
 THRU 1BY WOOD BUCKS INTO CONCRETE WITH 1-1/4" MIN. EMBED INTO CONCRETE
 DIRECTLY INTO CONCRETE WITH 1-1/4" MIN. EMBED INTO CONC.

ANCHOR EDGE DISTANCES

INTO CONCRETE AND MASONRY = 3" MIN.
 INTO WOOD STRUCTURE = 1" MIN.

TYPE 'C'- 5/16" DIA ULTRACON BY 'ELCO' (Fu=177 KSI, Fy=155 KSI)
 INTO 2BY WOOD BUCKS OR WOOD STRUCTURES WITH 1-1/2" MIN. PENETRATION INTO WOOD
 THRU 1BY WOOD BUCKS INTO CONCRETE WITH 1-1/4" MIN. EMBED INTO CONCRETE
 DIRECTLY INTO CONCRETE WITH 1-1/4" MIN. EMBED INTO CONC.

ANCHOR EDGE DISTANCES

INTO CONCRETE AND MASONRY = 3" MIN.
 INTO WOOD STRUCTURE = 1-1/4" MIN.

TYPE 'D'- 1/4" DIA. TEKS OR SELF DRILLING SCREWS ST/ST (GRADE 5 CRS)
 INTO METAL STRUCTURES
 (3) THREADS MIN. PENETRATION BEYOND SUBSTRATE
 ALUMINUM: 1/8" THK. MIN. (6063-T5 MIN.)
 STEEL: 1/8" THK. MIN. (Fy = 36 KSI MIN.)
 (STEEL IN CONTACT WITH ALUMINUM TO BE PLATED OR PAINTED)

ANCHOR EDGE DISTANCES

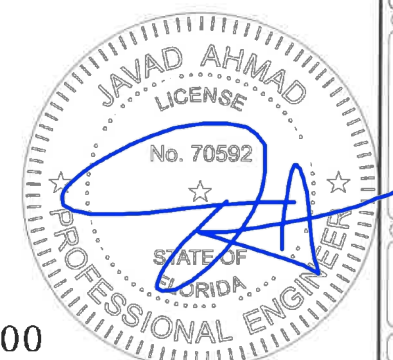
INTO METAL STRUCTURE = 1/2" MIN.

WOOD AT HEAD, SILL OR JAMBS SG = 0.55 MIN.
 CONCRETE AT HEAD, SILL OR JAMBS f'c = 3000 PSI MIN.
 C-90 HOLLOW/FILLED BLOCK AT JAMBS f'm = 2000 PSI MIN.

SEALANTS:

ALL FRAME CORNERS, JOINTS, MULLION SEAMS AND PERIMETER OF GLAZING BEAD TO FRAME SEALED WITH SILICONE SEALANT.

WOOD BUCKS AND METAL STRUCTURES NOT BY E.S. WDW. MUST SUPPORT LOADS IMPOSED BY GLAZING SYSTEM AND TRANSFER THEM TO THE BUILDING STRUCTURE.



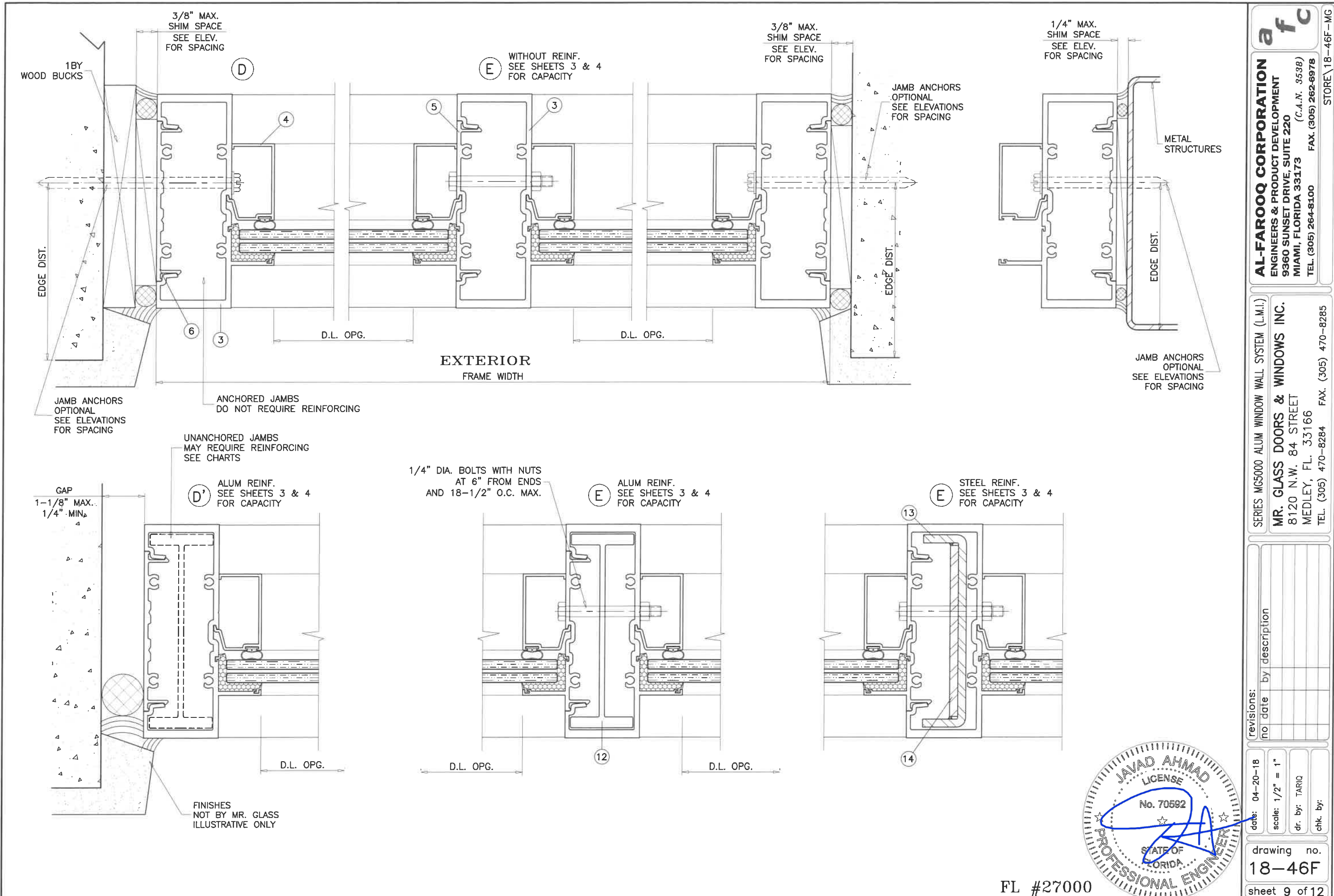
FL #27000

af c
AL-FAROOQ CORPORATION
 ENGINEERS & PRODUCT DEVELOPMENT
 9360 SUNSET DRIVE, SUITE 220
 MIAMI, FLORIDA 33173 (C.A.N. 3538)
 TEL. (305) 262-6978 FAX. (305) 264-8100

SERIES MC5000 ALUM WINDOW WALL SYSTEM (L.M.I.)
MR. GLASS DOORS & WINDOWS INC.
 8120 N.W. 84 STREET
 MEDLEY, FL. 33166
 TEL. (305) 470-8284 FAX. (305) 470-8285

revisions:	no	date	by	description

date: 04-20-18
 scale: 1/2" = 1"
 dr. by: TARIQ
 chk. by:
 drawing no.
18-46F
 sheet 8 of 12



af c

AL-FAROOQ CORPORATION
 ENGINEERS & PRODUCT DEVELOPMENT
 9360 SUNSET DRIVE, SUITE 220
 MIAMI, FLORIDA 33173 (C.A.N. 3538)
 TEL. (305) 264-8100 FAX. (305) 262-6978
 STORE 18-46F-MG

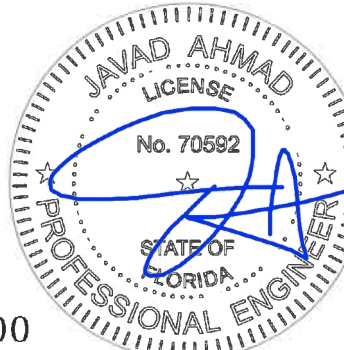
SERIES MC5000 ALUM WINDOW WALL SYSTEM (L.M.I.)

MR. GLASS DOORS & WINDOWS INC.
 8120 N.W. 84 STREET
 MEDLEY, FL. 33166
 TEL. (305) 470-8284 FAX. (305) 470-8285

no	date	description

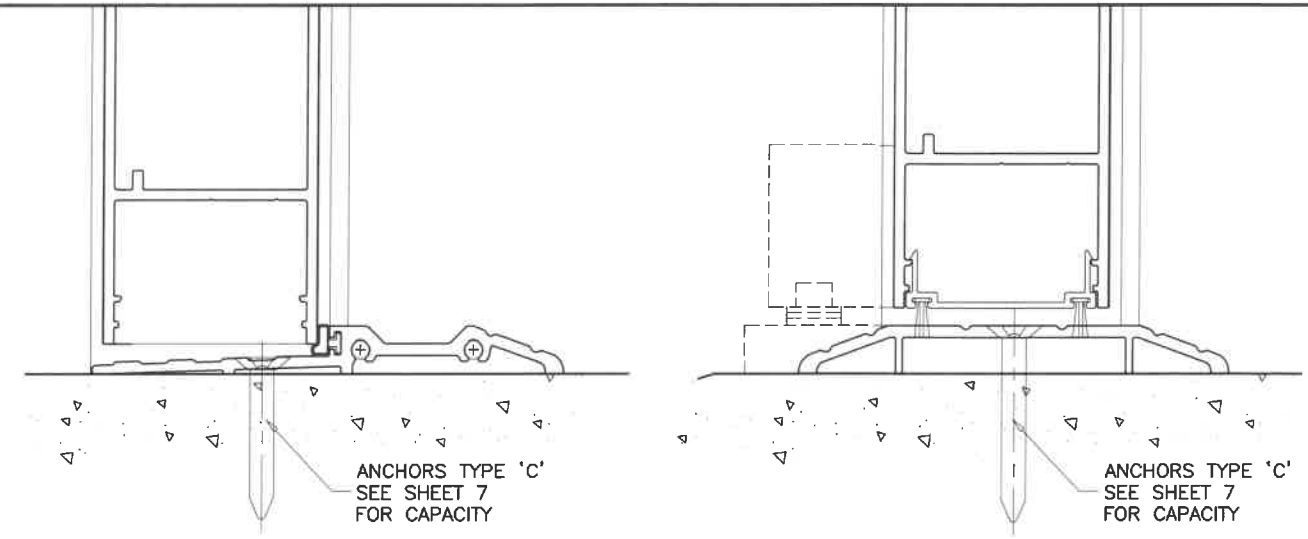
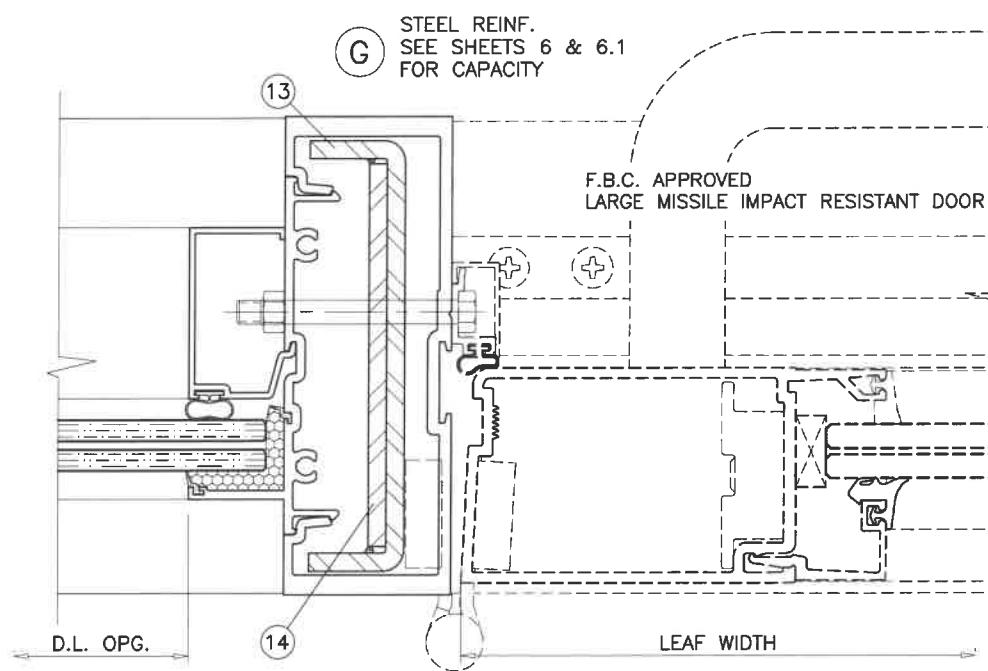
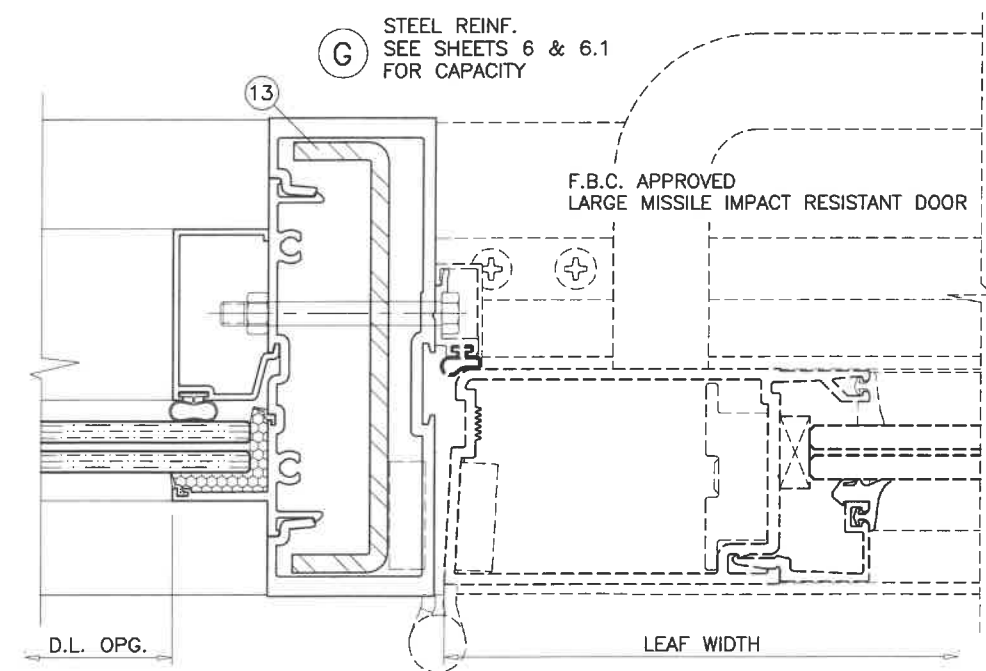
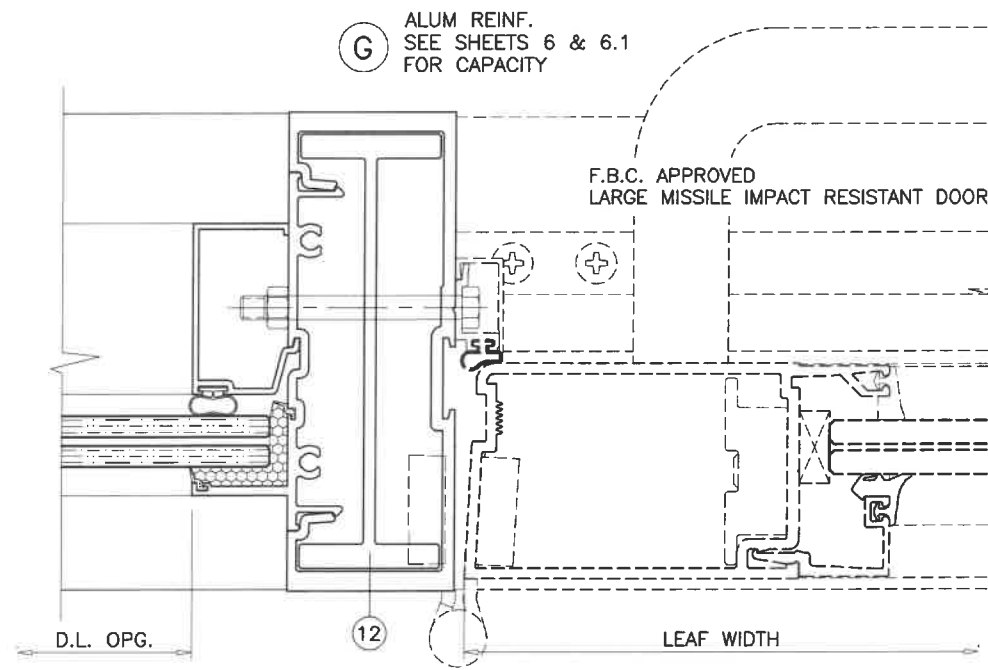
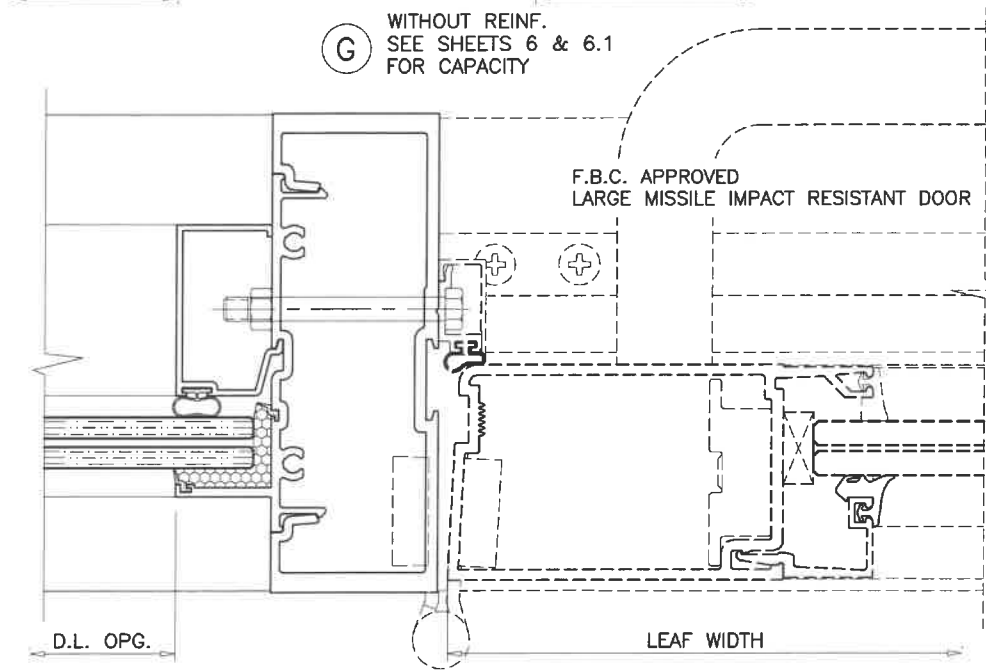
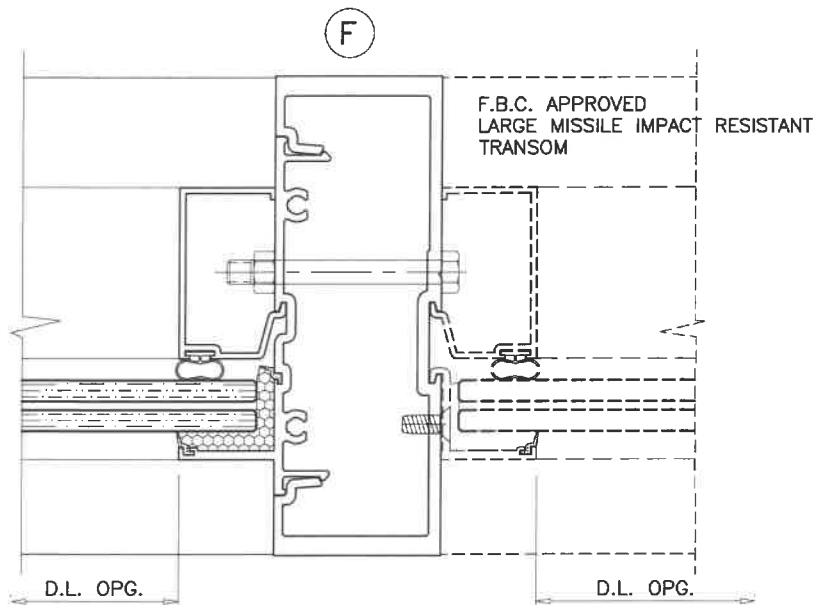
date: 04-20-18
 scale: 1/2" = 1"
 dr. by: TARIQ
 chk. by:

drawing no.
18-46F
 sheet 9 of 12

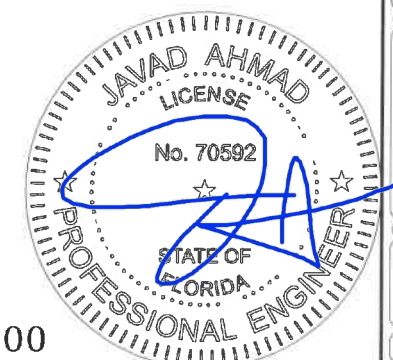


FL #27000

Sealed 04-20-18



SEE SEPARATE APPROVAL FOR DESIGN LOAD CAPACITY OF DOORS AND DOOR ANCHORS. LOWER VALUES FROM DOORS APPROVAL OR STOREFRONT SYSTEM CAPACITY CHARTS WILL APPLY TO ENTIRE SYSTEM.



FL #27000

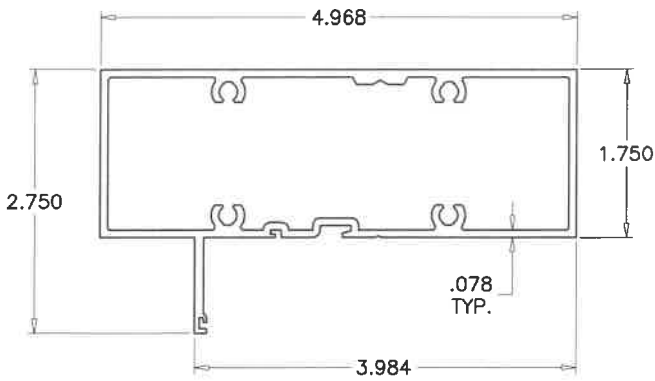
af c
AL-FAROOQ CORPORATION
 ENGINEERS & PRODUCT DEVELOPMENT
 9360 SUNSET DRIVE, SUITE 220
 MIAMI, FLORIDA 33173 (C.A.N. 3538)
 TEL. (305) 264-8100 FAX. (305) 262-6978
 STORE 18-46F-MG

SERIES MG5000 ALUM WINDOW WALL SYSTEM (L.M.I.)
MR. GLASS DOORS & WINDOWS INC.
 8120 N.W. 84 STREET
 MEDLEY, FL. 33166
 TEL. (305) 470-8284 FAX. (305) 470-8285

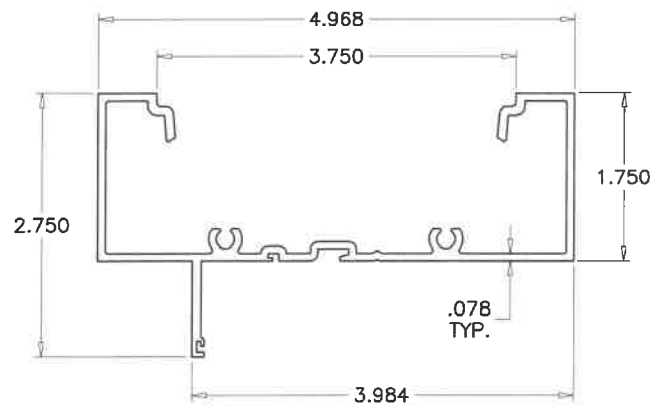
revisions:	no	date	by	description

date: 04-20-18
 scale: 1/2" = 1"
 dr. by: TARIQ
 chk. by:

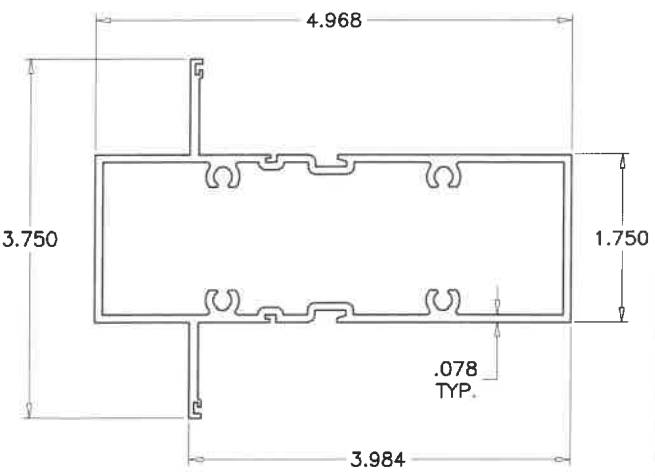
drawing no.
18-46F
 sheet 10 of 12



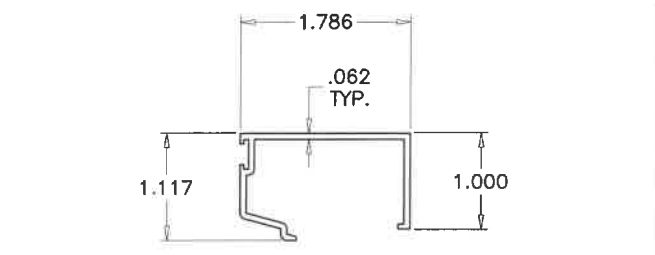
① HOLLOW FRAME HEAD/SILL



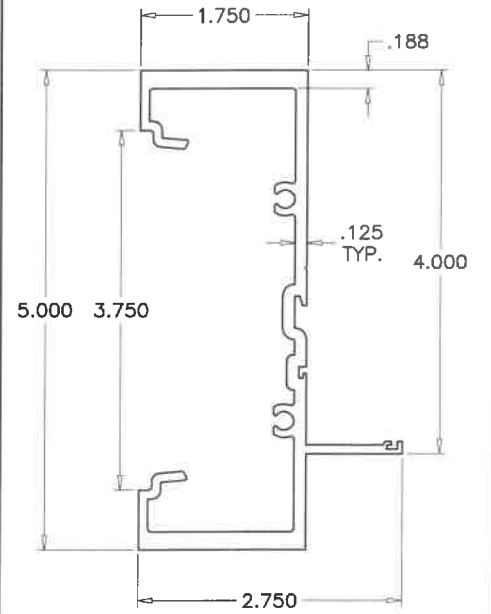
①A OPEN BACK FRAME HEAD/SILL



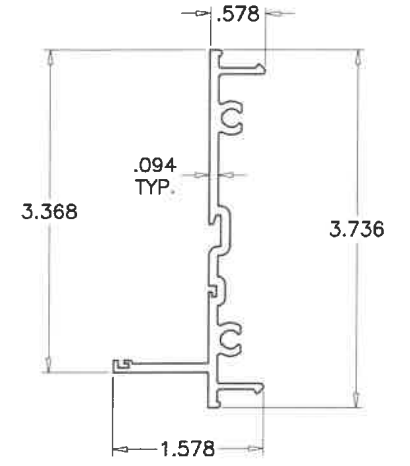
② INTERMEDIATE HORIZONTAL



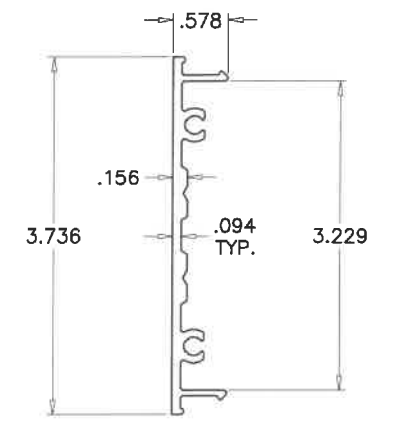
④ GLASS STOP



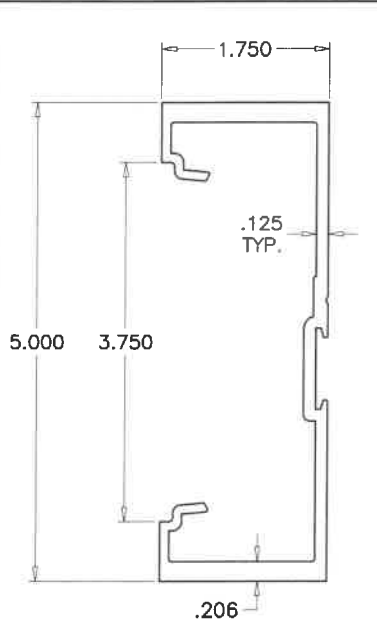
③ FRAME JAMB/MULLION



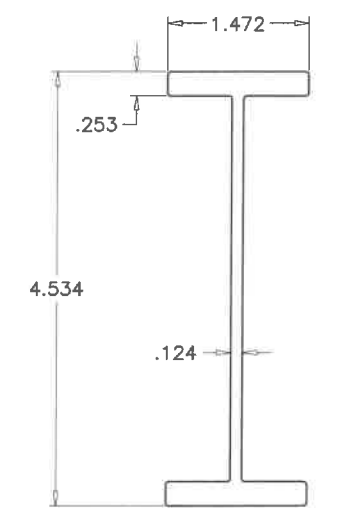
⑤ MULLION SNAP-IN MATE



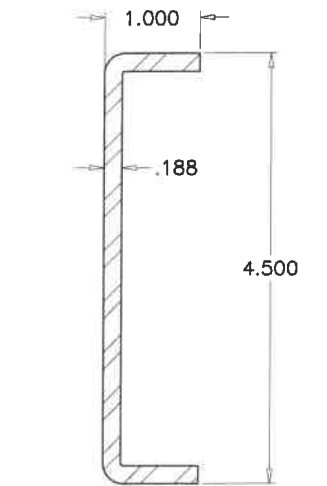
⑥ SHEAR CLIP



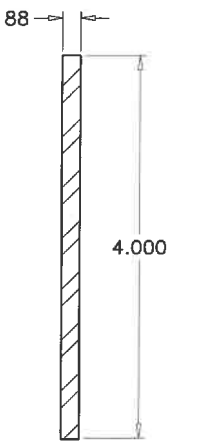
③A DOOR MULLION



⑫ STIFFENER

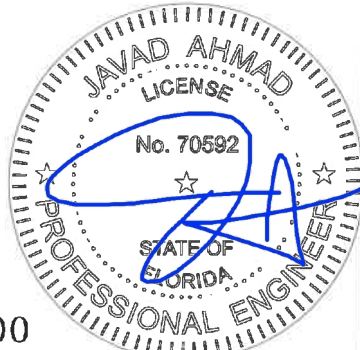


⑬ STEEL REINFORCING
36 KSI MIN.



⑭

ITEM NO.	PART NUMBER	QUANTITY	DESCRIPTION	MATERIAL	MANF./SUPPLIER/REMARKS
1	ES8005	AS REQD.	HOLLOW FRAME HEAD/SILL	6005-T5	-
1A	ES8007	AS REQD.	OPEN BACK FRAME HEAD/SILL	6063-T6	-
2	ES8004	AS REQD.	INTERMEDIATE HORIZONTAL	6063-T6	-
3	ES8001	AS REQD.	FRAME JAMB/MULLION	6005-T5	-
3A	-	AS REQD.	DOOR MULLION	6005-T5	-
4	ES8006	AS REQD.	GLASS STOP	6063-T5	-
5	ES8002	AS REQD.	MULLION SNAP-IN MATE	6005-T5	-
6	ES8003	AS REQD.	SHEAR CLIP	6005-T5	-
7	-	AS REQD.	INTERIOR BULB GASKET	VINYL	-
8	ES8009	AS REQD.	SPACER/SILICONE STOP	VINYL	-
8A	ES-8011A	AS REQD.	BUTTON BUMPER	SILICONE	DUROMETER 85±5 SHORE A
9	-	-	-	-	-
10	-	2/ LITE	3/16" X 1/2" X 2" LONG SETTING BLOCK, AT 1/4" POINTS	EPDM	DUROMETER 85±5 SHORE A
11	#12 X 1-1/2"	4/ CORNER	ASSEMBLY SCREWS PHSMS	STEEL	-
12	-	AS REQD.	MULLION STIFFENER	6005-T5	-
13	-	AS REQD.	MULLION REINFORCING CHANNEL	STEEL	-
14	-	AS REQD.	MULLION REINFORCING BAR	STEEL	-



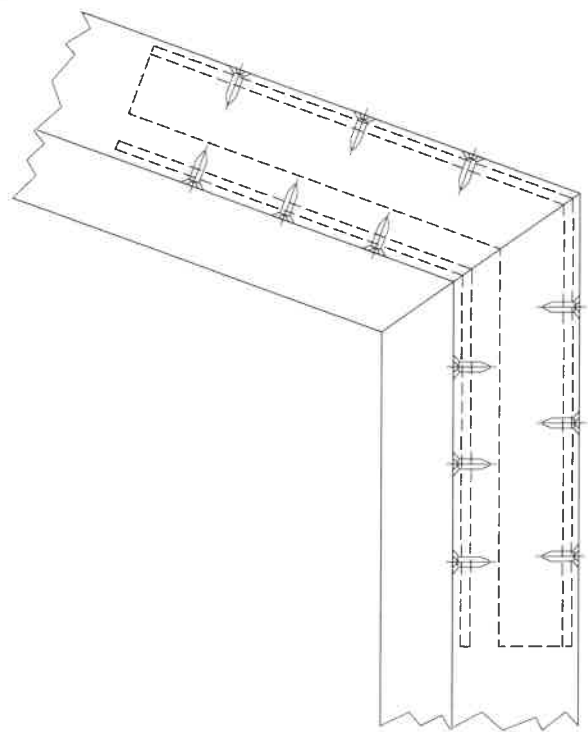
FL #27000

AL-FAROOQ CORPORATION
ENGINEERS & PRODUCT DEVELOPMENT
9360 SUNSET DRIVE, SUITE 220
MIAMI, FLORIDA 33173 (C.A.N. 3538)
TEL. (305) 264-8100 FAX. (305) 262-6978
STORE 18-46F-MG

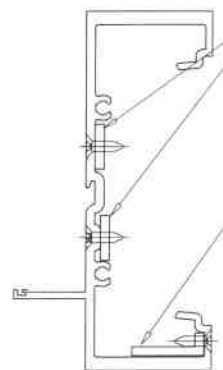
SERIES MG5000 ALUM WINDOW WALL SYSTEM (L.M.I.)
MR. GLASS DOORS & WINDOWS INC.
8120 N.W. 84 STREET
MEDLEY, FL. 33166
TEL. (305) 470-8284 FAX. (305) 470-8285

revisions:	no	date	by	description
date:	04-20-18	scale:	1/2" = 1"	
dr. by:	TARIQ	chk. by:		
drawing no.	18-46F			
sheet	11 of 12			

Sealed 04-20-18

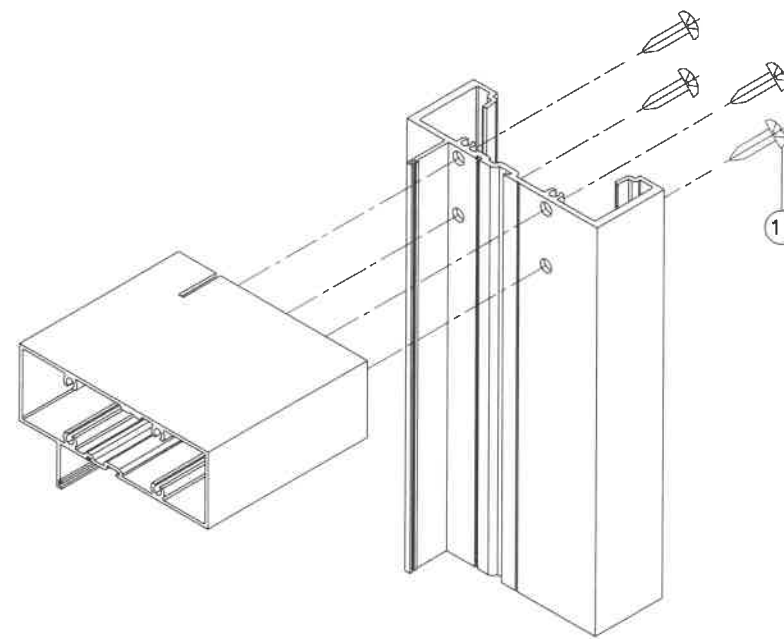


5/8" X 1/8"
ALUM PLATE
BENT TO MATCH JOINT
SECURED WITH #8 SMS
(3) PER SIDE OF JOINT



5/16 X 1 X 1/8"
ALUM ANGLE
BENT TO MATCH JOINT
SECURED WITH #8 SMS
(3) PER SIDE OF JOINT

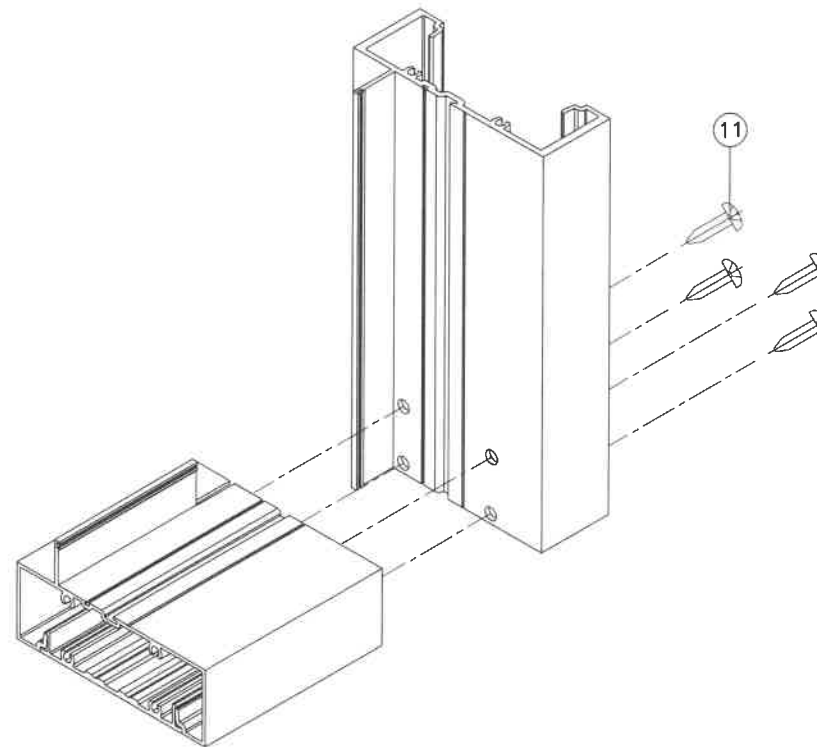
CIRCULAR OR ANGLED CORNERS



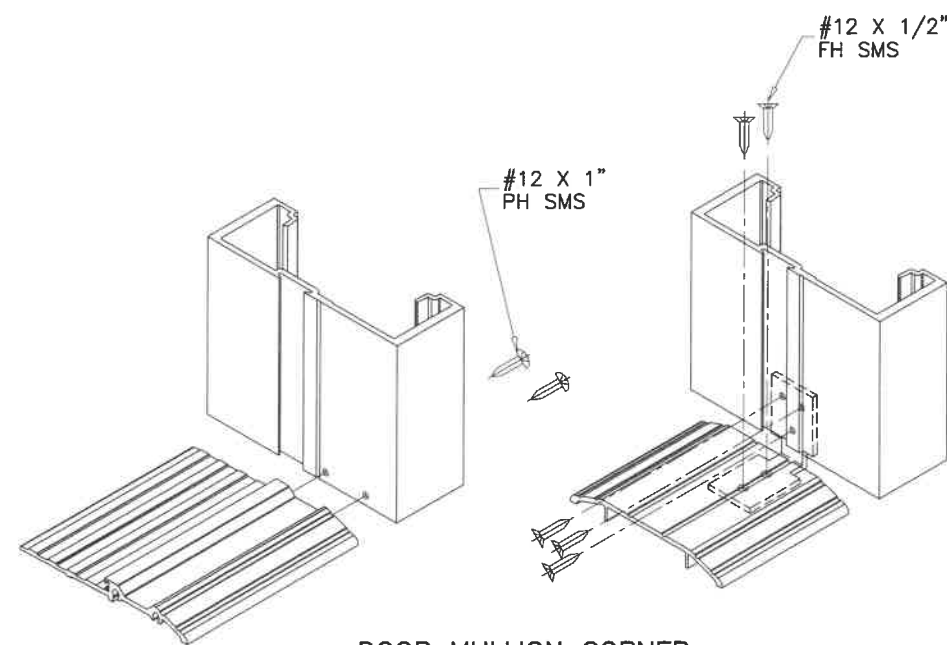
11

11

HORIZONTAL CORNER



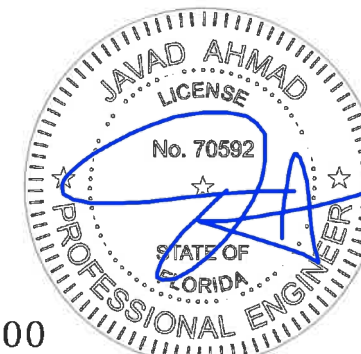
RECT. OR SQUARE CORNERS



#12 X 1"
PH SMS

#12 X 1/2"
FH SMS

DOOR MULLION CORNER



FL #27000

af c
AL-FAROOQ CORPORATION
ENGINEERS & PRODUCT DEVELOPMENT
9360 SUNSET DRIVE, SUITE 220 (C.A.N. 3538)
MIAMI, FLORIDA 33173
TEL. (305) 264-8100 FAX. (305) 262-6978

SERIES MC5000 ALUM WINDOW WALL SYSTEM (L.M.I.)
MR. GLASS DOORS & WINDOWS INC.
8120 N.W. 84 STREET
MEDLEY, FL. 33166
TEL. (305) 470-8284 FAX. (305) 470-8285

revisions:	no	date	by	description

date: 04-20-18
scale: -
dr. by: TARIQ
chk. by:

drawing no.
18-46F
sheet 12 of 12