

| DOOR DESIGN LOAD CAPACITY - PSF |                          |                                   |         |                 |         |
|---------------------------------|--------------------------|-----------------------------------|---------|-----------------|---------|
| AVERAGE PANEL WIDTH INCHES      | DOOR FRAME HEIGHT INCHES | GLASS TYPES 'C', 'C1', 'D' & 'D1' |         |                 |         |
|                                 |                          | STD. ASTRAGAL                     |         | REINF. ASTRAGAL |         |
|                                 |                          | EXT.(+)                           | INT.(-) | EXT.(+)         | INT.(-) |
| 30                              | 82-7/8                   | 80.0                              | 100.0   | 80.0            | 100.0   |
| 36                              |                          | 80.0                              | 100.0   | 80.0            | 100.0   |
| 42                              |                          | 80.0                              | 100.0   | 80.0            | 100.0   |
| 48                              |                          | 80.0                              | 100.0   | 80.0            | 100.0   |
| 54                              |                          | 71.1                              | 88.9    | 80.0            | 88.9    |
| 60                              |                          | 64.0                              | 80.0    | 64.0            | 80.0    |
| 30                              | 84                       | 80.0                              | 100.0   | 80.0            | 100.0   |
| 36                              |                          | 80.0                              | 100.0   | 80.0            | 100.0   |
| 42                              |                          | 80.0                              | 100.0   | 80.0            | 100.0   |
| 48                              |                          | 80.0                              | 100.0   | 80.0            | 100.0   |
| 54                              |                          | 71.1                              | 88.9    | 71.1            | 88.9    |
| 60                              |                          | 64.0                              | 80.0    | 64.0            | 80.0    |
| 30                              | 90                       | 80.0                              | 100.0   | 80.0            | 100.0   |
| 36                              |                          | 80.0                              | 100.0   | 80.0            | 100.0   |
| 42                              |                          | 80.0                              | 100.0   | 80.0            | 100.0   |
| 48                              |                          | 80.0                              | 100.0   | 80.0            | 100.0   |
| 54                              |                          | 71.1                              | 88.9    | 71.1            | 88.9    |
| 60                              |                          | -                                 | -       | 64.0            | 80.0    |
| 30                              | 96                       | 80.0                              | 100.0   | 80.0            | 100.0   |
| 36                              |                          | 80.0                              | 100.0   | 80.0            | 100.0   |
| 42                              |                          | 80.0                              | 100.0   | 80.0            | 100.0   |
| 48                              |                          | 80.0                              | 100.0   | 80.0            | 100.0   |
| 54                              |                          | 71.1                              | 88.9    | 71.1            | 88.9    |
| 60                              |                          | -                                 | -       | 64.0            | 80.0    |
| 30                              | 102                      | 80.0                              | 100.0   | 80.0            | 100.0   |
| 36                              |                          | 80.0                              | 100.0   | 80.0            | 100.0   |
| 42                              |                          | 80.0                              | 100.0   | 80.0            | 100.0   |
| 48                              |                          | 80.0                              | 100.0   | 80.0            | 100.0   |
| 50                              |                          | -                                 | -       | 76.8            | 96.0    |
| 52                              |                          | -                                 | -       | 73.8            | 92.3    |
| 54                              |                          | -                                 | -       | 71.1            | 88.9    |
| 56                              | -                        | -                                 | 68.6    | 85.7            |         |
| 30                              | 108                      | 80.0                              | 100.0   | 80.0            | 100.0   |
| 36                              |                          | 80.0                              | 100.0   | 80.0            | 100.0   |
| 42                              |                          | 80.0                              | 100.0   | 80.0            | 100.0   |
| 48                              |                          | 80.0                              | 100.0   | 80.0            | 100.0   |
| 50                              |                          | -                                 | -       | 76.8            | 96.0    |
| 52                              |                          | -                                 | -       | 73.8            | 92.3    |
| 30                              | 114                      | -                                 | -       | 80.0            | 100.0   |
| 36                              |                          | -                                 | -       | 80.0            | 100.0   |
| 42                              |                          | -                                 | -       | 80.0            | 100.0   |
| 48                              |                          | -                                 | -       | 80.0            | 100.0   |
| 50                              |                          | -                                 | -       | 76.8            | 96.0    |
| 30                              | 120                      | -                                 | -       | 80.0            | 100.0   |
| 36                              |                          | -                                 | -       | 80.0            | 100.0   |
| 42                              |                          | -                                 | -       | 80.0            | 100.0   |
| 48                              |                          | -                                 | -       | 80.0            | 100.0   |

| ANCHOR LOAD CAPACITY - PSF |                          |                              |                              |                              |
|----------------------------|--------------------------|------------------------------|------------------------------|------------------------------|
| ANCHOR TYPE                |                          | ANCHORS 'A', 'B', 'C' & 'D'  |                              |                              |
| SHIM SPACE                 |                          | 3/8" SHIM                    | 1/2" MAX. SHIM               |                              |
| PANEL WIDTH INCHES         | DOOR FRAME HEIGHT INCHES | 6 ANCHORS AT MTG. STILE ENDS | 6 ANCHORS AT MTG. STILE ENDS | 8 ANCHORS AT MTG. STILE ENDS |
|                            |                          | EXT. (+) INT. (-)            | EXT. (+) INT. (-)            | EXT. (+) INT. (-)            |
| 30                         | 82-7/8                   | 100.0                        | 100.0                        | 100.0                        |
| 36                         |                          | 100.0                        | 100.0                        | 100.0                        |
| 42                         |                          | 100.0                        | 100.0                        | 100.0                        |
| 48                         |                          | 100.0                        | 100.0                        | 100.0                        |
| 54                         |                          | 100.0                        | 100.0                        | 100.0                        |
| 60                         |                          | 100.0                        | 100.0                        | 100.0                        |
| 30                         | 84                       | 100.0                        | 100.0                        | 100.0                        |
| 36                         |                          | 100.0                        | 100.0                        | 100.0                        |
| 42                         |                          | 100.0                        | 100.0                        | 100.0                        |
| 48                         |                          | 100.0                        | 100.0                        | 100.0                        |
| 54                         |                          | 100.0                        | 100.0                        | 100.0                        |
| 60                         |                          | 100.0                        | 100.0                        | 100.0                        |
| 30                         | 90                       | 100.0                        | 100.0                        | 100.0                        |
| 36                         |                          | 100.0                        | 100.0                        | 100.0                        |
| 42                         |                          | 100.0                        | 100.0                        | 100.0                        |
| 48                         |                          | 100.0                        | 100.0                        | 100.0                        |
| 54                         |                          | 100.0                        | 100.0                        | 100.0                        |
| 60                         |                          | 100.0                        | 100.0                        | 100.0                        |
| 30                         | 96                       | 100.0                        | 100.0                        | 100.0                        |
| 36                         |                          | 100.0                        | 100.0                        | 100.0                        |
| 42                         |                          | 100.0                        | 100.0                        | 100.0                        |
| 48                         |                          | 100.0                        | 100.0                        | 100.0                        |
| 54                         |                          | 100.0                        | 98.7                         | 100.0                        |
| 60                         |                          | 100.0                        | 88.8                         | 100.0                        |
| 30                         | 102                      | 100.0                        | 100.0                        | 100.0                        |
| 36                         |                          | 100.0                        | 100.0                        | 100.0                        |
| 42                         |                          | 100.0                        | 100.0                        | 100.0                        |
| 48                         |                          | 100.0                        | 100.0                        | 100.0                        |
| 50                         |                          | 100.0                        | 100.0                        | 100.0                        |
| 52                         |                          | 100.0                        | 96.4                         | 100.0                        |
| 54                         |                          | 100.0                        | 92.9                         | 100.0                        |
| 56                         | 100.0                    | 89.5                         | 100.0                        |                              |
| 30                         | 108                      | 100.0                        | 100.0                        | 100.0                        |
| 36                         |                          | 100.0                        | 100.0                        | 100.0                        |
| 42                         |                          | 100.0                        | 100.0                        | 100.0                        |
| 48                         |                          | 100.0                        | 98.7                         | 100.0                        |
| 50                         |                          | 100.0                        | 94.7                         | 100.0                        |
| 52                         |                          | 100.0                        | 91.1                         | 100.0                        |
| 30                         | 114                      | 100.0                        | 100.0                        | 100.0                        |
| 36                         |                          | 100.0                        | 100.0                        | 100.0                        |
| 42                         |                          | 100.0                        | 100.0                        | 100.0                        |
| 48                         |                          | 100.0                        | 93.5                         | 100.0                        |
| 50                         |                          | 100.0                        | 89.7                         | 100.0                        |
| 30                         | 120                      | 100.0                        | 100.0                        | 100.0                        |
| 36                         |                          | 100.0                        | 100.0                        | 100.0                        |
| 42                         |                          | 100.0                        | 100.0                        | 100.0                        |
| 48                         |                          | 100.0                        | 88.8                         | 100.0                        |

NOTE:  
GLASS CAPACITIES ON THIS SHEET ARE  
BASED ON ASTM E1300-09 (3 SEC. GUSTS)  
AND FLORIDA BUILDING COMMISSION  
DECLARATORY STATEMENT DCA05-DEC-219

**INSTRUCTIONS:**

USE CHARTS AS FOLLOWS.

- STEP 1** DETERMINE DESIGN WIND LOAD REQUIREMENT BASED ON WIND VELOCITY, BLDG. HEIGHT, WIND ZONE USING APPLICABLE ASCE 7 STANDARD.
- STEP 2** DETERMINE DOOR CAPACITY FROM TABLE ON SHEET 1 FOR THE GLASS TYPE USED.
- STEP 3** USING CHARTS ON SHEET 1 SELECT ANCHOR OPTION WITH DESIGN RATING MORE THAN DESIGN LOAD SPECIFIED IN STEP 1 ABOVE.
- STEP 4** THE LOWEST VALUE RESULTING FROM STEPS 2 AND 3 SHALL APPLY TO ENTIRE SYSTEM.
- STEP 5** SEE SHEET 8 TO DETERMINE MIN. AND MAX. GAP DIMENSIONS FOR UNANCHORED JAMBS.

THESE DOORS ARE RATED FOR SMALL MISSILE IMPACT.  
F.B.C. APPROVED IMPACT RESISTANT SHUTTERS REQUIRED FOR INSTALLATIONS UP TO 30 FT. OF GRADE.  
SHUTTERS NOT REQD. FOR INSTALLATIONS ABOVE 30 FT. OF GRADE.

**SERIES 1100 (S.M.I.)**

**ALUMINUM SLIDING GLASS DOOR**

THIS PRODUCT HAS BEEN DESIGNED AND TESTED TO COMPLY WITH THE REQUIREMENTS OF THE 2017 (6TH EDITION) FLORIDA BUILDING CODE INCLUDING HIGH VELOCITY HURRICANE ZONE (HVHZ).

1BY OR 2BY WOOD BUCKS & BUCK FASTENERS BY OTHERS, MUST BE DESIGNED AND INSTALLED ADEQUATELY TO TRANSFER APPLIED PRODUCT LOADS TO THE BUILDING STRUCTURE.

ANCHORS SHALL BE CORROSION RESISTANT, SPACED AS SHOWN ON DETAILS AND INSTALLED PER MANUF'S INSTRUCTIONS. SPECIFIED EMBEDMENT TO BASE MATERIAL SHALL BE BEYOND WALL DRESSING OR STUCCO.

A LOAD DURATION INCREASE IS USED IN DESIGN OF ANCHORS INTO WOOD ONLY.

ALL SHIMS TO BE HIGH IMPACT, NON-METALLIC AND NON-COMPRESSIBLE.

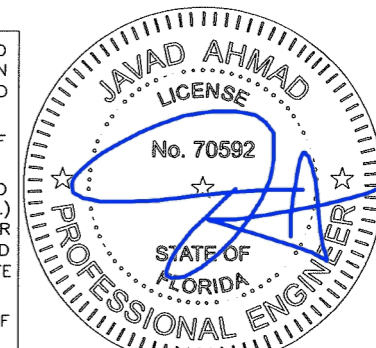
MATERIALS INCLUDING BUT NOT LIMITED TO STEEL/METAL SCREWS, THAT COME INTO CONTACT WITH OTHER DISSIMILAR MATERIALS SHALL MEET THE REQUIREMENTS OF THE 2017 FLORIDA BLDG. CODE & ADOPTED STANDARDS.

THIS PRODUCT APPROVAL IS GENERIC AND DOES NOT PROVIDE INFORMATION FOR A SITE SPECIFIC PROJECT, i.e. LIFE SAFETY OF THIS PRODUCT, ADEQUACY OF STRUCTURE RECEIVING THIS PRODUCT AND SEALING AROUND OPENING FOR WATER INFILTRATION RESISTANCE ETC. CONDITIONS NOT SHOWN IN THIS DRAWING ARE TO BE ANALYZED SEPARATELY, AND TO BE REVIEWED BY BUILDING OFFICIAL.

MANUFACTURER'S LABEL SHALL BE LOCATED ON A READILY VISIBLE LOCATION IN ACCORDANCE WITH SECTION 1709.9.3 OF FLORIDA BUILDING CODE. LABELING TO COMPLY WITH SECTION 1709.9.2.

FL #25959.2

- A- CONTRACTOR TO BE RESPONSIBLE FOR THE SELECTION, PURCHASE AND INSTALLATION OF THIS PRODUCT BASED ON THIS PRODUCT EVALUATION PROVIDED HE/SHE DOES NOT DEVIATE FROM THE CONDITIONS DETAILED ON THIS DOCUMENT.
- B- THIS PRODUCT EVALUATION DOCUMENT WILL BE CONSIDERED INVALID IF ALTERED BY ANY MEANS.
- C- SITE SPECIFIC PROJECTS SHALL BE PREPARED BY A FLORIDA REGISTERED ENGINEER OR ARCHITECT WHICH WILL BECOME THE ENGINEER OF RECORD (E.O.R.) FOR THE PROJECT AND WHO WILL BE RESPONSIBLE FOR THE PROPER USE OF THE P.E.D. ENGINEER OF RECORD, ACTING AS A DELEGATED ENGINEER TO THE P.E.D. ENGINEER SHALL SUBMIT TO THIS LATTER THE SITE SPECIFIC DRAWINGS FOR REVIEW.
- D- THIS P.E.D. SHALL BEAR THE DATE AND ORIGINAL SEAL AND SIGNATURE OF THE PROFESSIONAL ENGINEER OF RECORD THAT PREPARED IT.



FOR INSTALLATIONS WHERE WATER INFILTRATION RESISTANCE IS REQUIRED  
LIMIT ALL EXTERIOR(+) LOADS TO +76.7 PSF FOR 2-13/16" SILL HEIGHTS  
SEE SHEET 5 FOR DETAILS

REINF. ASTRAGAL ONLY IN CONFIGURATIONS THAT REQUIRE ASTRAGAL.

AVERAGE PANEL WIDTH =  $\frac{\text{DOOR FRAME WIDTH}}{\text{NUMBER OF PANELS}}$

**AL-FAROOQ CORPORATION**  
ENGINEERS & PRODUCT DEVELOPMENT  
9360 SUNSET DRIVE, SUITE 220  
MIAMI, FLORIDA 33173 (C.A.N. 3538)  
TEL. (305) 264-8100 FAX. (305) 262-9978  
COMP - ANL \ 18 - 16F - MG

SERIES 1100 ALUM SLIDING GLASS DOOR (S.M.I.)

**MR. GLASS DOORS & WINDOWS INC.**  
8120 N.W. 84 STREET  
MEDLEY, FL. 33166  
TEL. (305) 470-8284 FAX. (305) 470-8285

| revisions: | no | date | by | description |
|------------|----|------|----|-------------|
|            |    |      |    |             |
|            |    |      |    |             |

date: 12-28-17

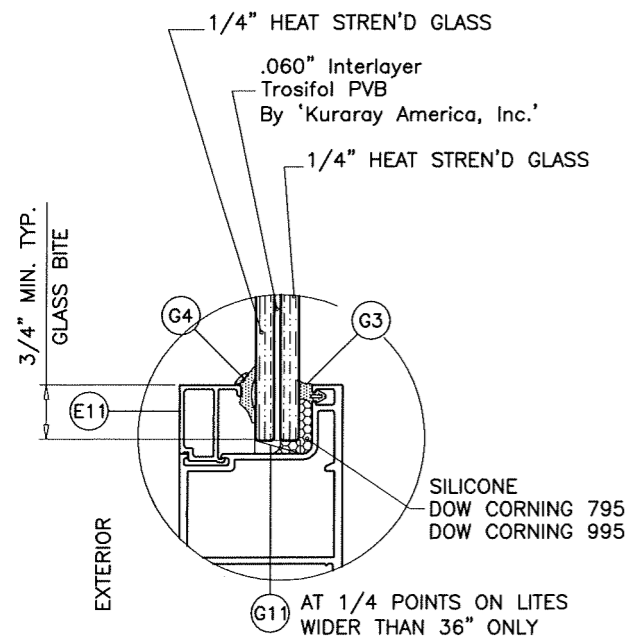
scale: -

dr. by: TARIQ

chk. by:

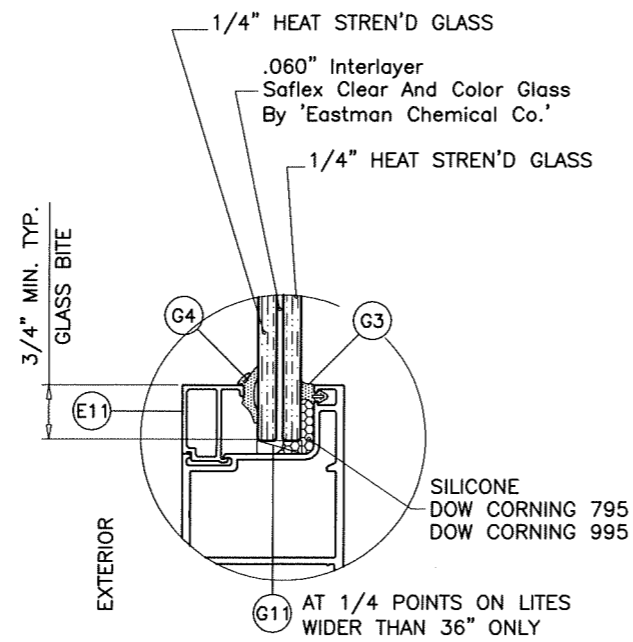
drawing no.  
**18-16F**

sheet 1 of 11



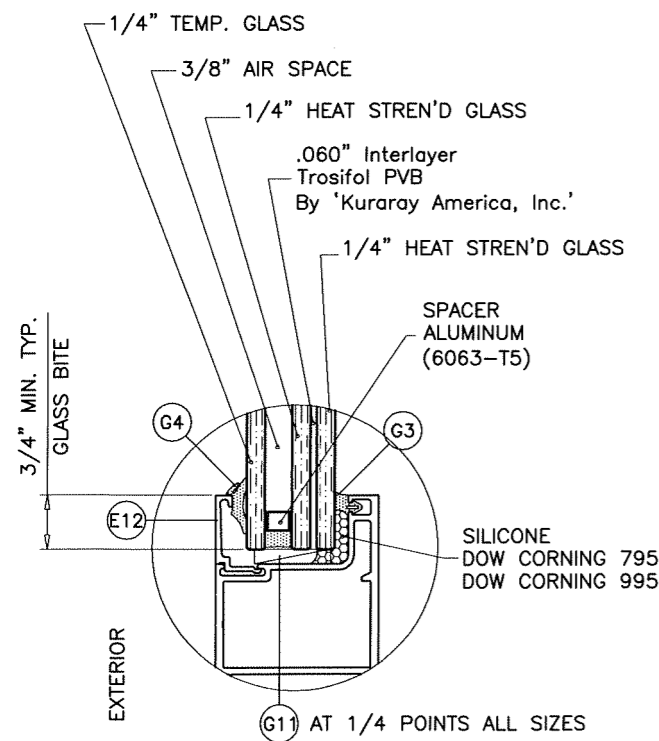
**GLASS TYPE 'C'**

9/16" OVERALL LAMINATED GLASS



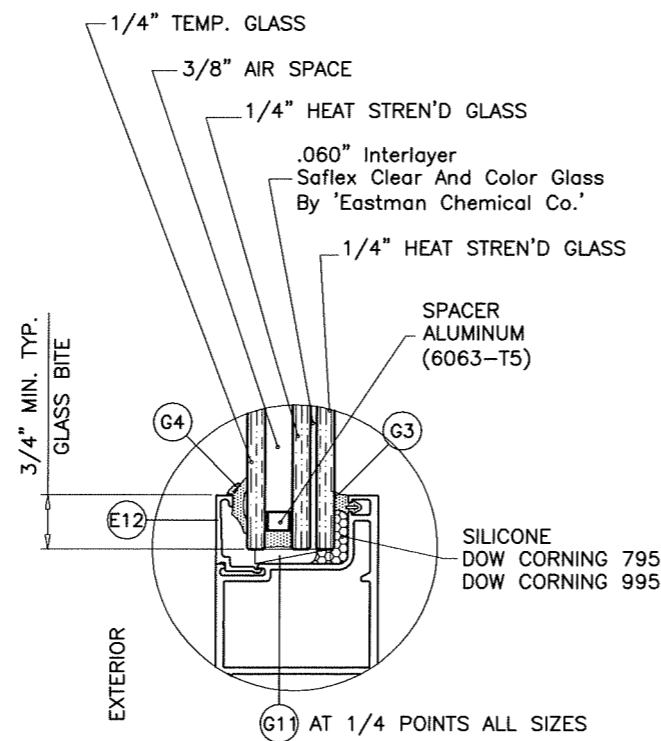
**GLASS TYPE 'D'**

9/16" OVERALL LAMINATED GLASS



**GLASS TYPE 'CI'**

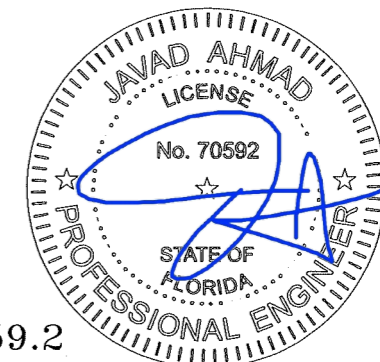
1-3/16" OVERALL INSUL. LAM. GLASS



**GLASS TYPE 'DI'**

1-3/16" OVERALL INSUL. LAM. GLASS

**GLAZING OPTIONS**



FL #25959.2

**afC**

**AL-FAROQ CORPORATION**  
ENGINEERS & PRODUCT DEVELOPMENT  
9360 SUNSET DRIVE, SUITE 220  
MIAMI, FLORIDA 33173 (C.A.N. 3538)  
TEL. (305) 264-8100 FAX. (305) 262-6978  
COMP - ANL \ 18-16F-MG

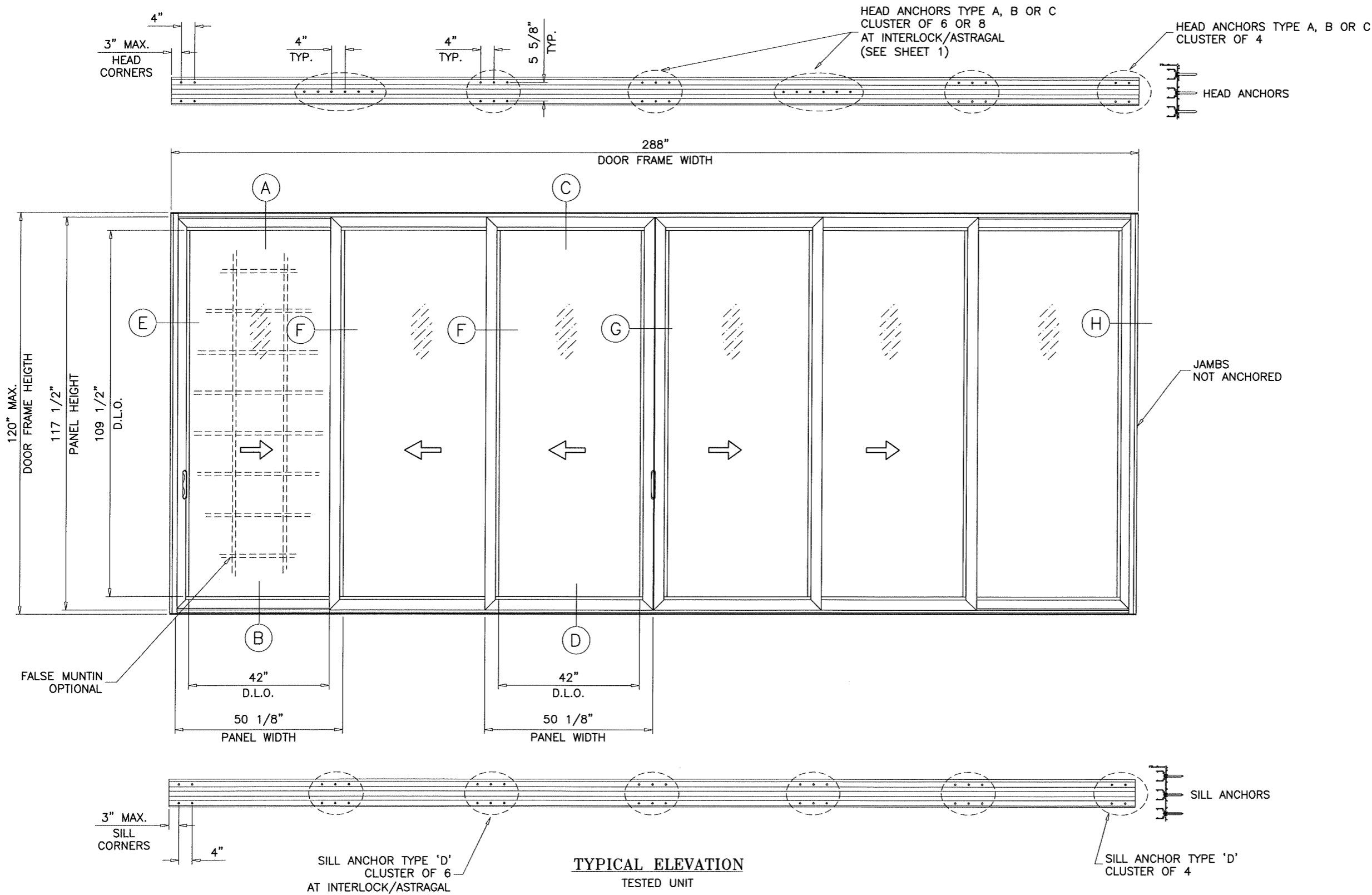
---

SERIES 1100 ALUM SLIDING GLASS DOOR (S.M.I.)  
**MR. GLASS DOORS & WINDOWS INC.**  
8120 N.W. 84 STREET  
MEDLEY, FL. 33166  
TEL. (305) 470-8284 FAX. (305) 470-8285

| revisions: |                     |
|------------|---------------------|
| no         | date by description |
|            |                     |
|            |                     |
|            |                     |

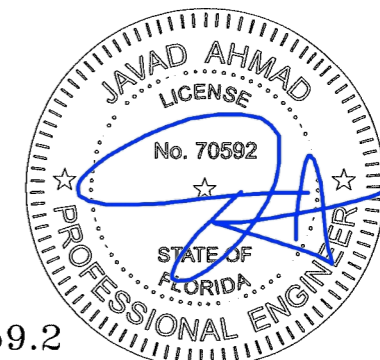
date: 12-28-17  
scale: 3/8" = 1"  
dr. by: TARIQ  
chk. by:  

drawing no.  
**18-16F**  
sheet 2 of 11



DAYLITE OPENINGS WIDTHS:  
 PANEL WIDTH - 7.313"  
 DAYLITE OPENING HEIGHT:  
 PANEL HEIGHT - 8.0"  
 PANEL HEIGHT = DOOR FRAME HEIGHT - 2.625"

MAX. FRAME AREA OF S.G.D. SHALL NOT EXCEED FRAME AND PANEL AREA OF TESTED UNIT PER FBC REQUIREMENTS.



FL #25959.2

**af c**

**AL-FAROOQ CORPORATION**  
 ENGINEERS & PRODUCT DEVELOPMENT  
 9360 SUNSET DRIVE, SUITE 220  
 MIAMI, FLORIDA 33173 (C.A.N. 3538)  
 TEL. (305) 264-8100 FAX. (305) 262-6978  
 COMP-ANL 18-16F-MG

SERIES 1100 ALUM SLIDING GLASS DOOR (S.M.I.)

**MR. GLASS DOORS & WINDOWS INC.**  
 8120 N.W. 84 STREET  
 MEDLEY, FL. 33166  
 TEL. (305) 470-8284 FAX. (305) 470-8285

| revisions: | no | date | by | description |
|------------|----|------|----|-------------|
|            |    |      |    |             |

date: 12-28-17  
 scale: 3/8"=1'-0"  
 dr. by: TARIQ  
 chk. by:

drawing no.  
**18-16F**

sheet 3 of 11



**AL-FAROOQ CORPORATION**  
 ENGINEERS & PRODUCT DEVELOPMENT  
 9360 SUNSET DRIVE, SUITE 220  
 MIAMI, FLORIDA 33173 (C.A.N. 3538)  
 TEL. (305) 264-8100 FAX. (305) 262-6978

SERIES 1100 ALUM SLIDING GLASS DOOR (S.M.I.)

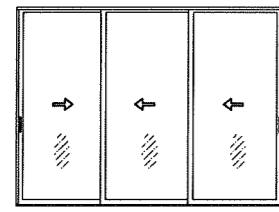
**MR. GLASS DOORS & WINDOWS INC.**

8120 N.W. 84 STREET  
 MEDLEY, FL. 33166  
 TEL. (305) 470-8284 FAX. (305) 470-8285

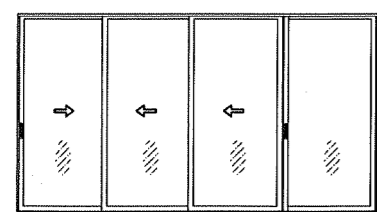
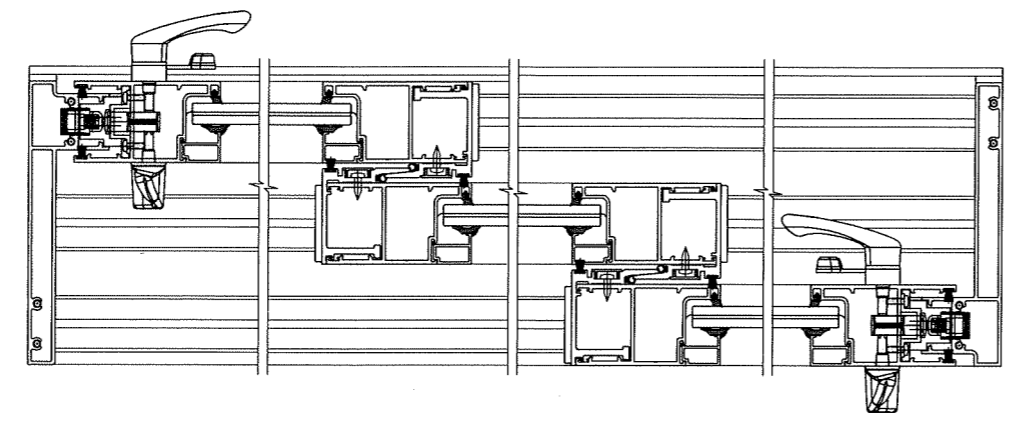
COMP-ANL 18-16F-MG

NOTE:

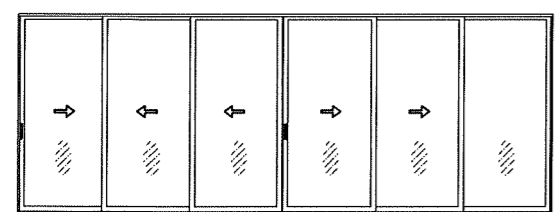
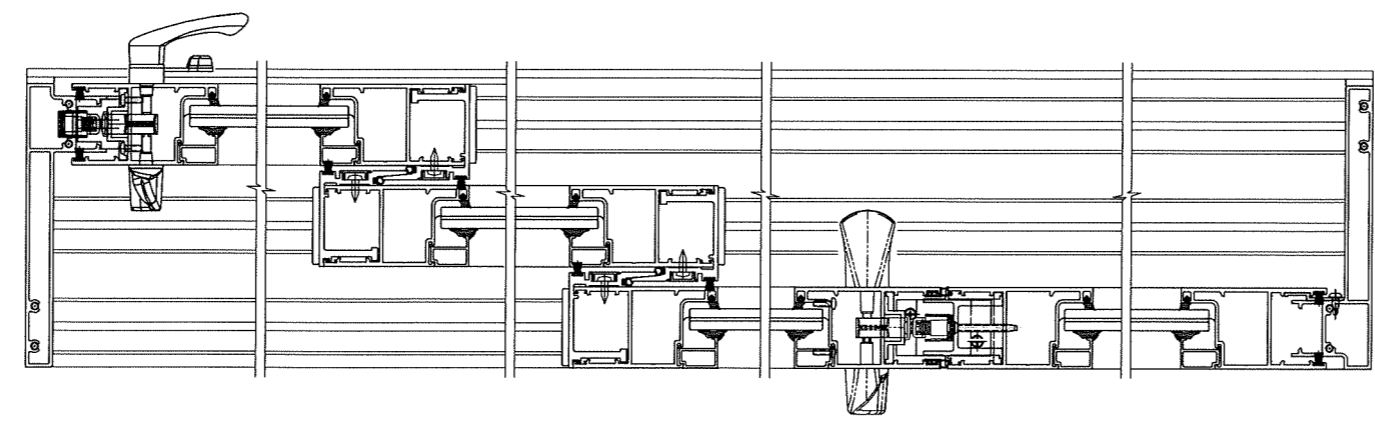
1. CONFIGURATIONS SHOWN FOR ILLUSTRATION PURPOSES ONLY.
2. FOR APPLICABLE DESIGN PRESSURES SEE INSTRUCTIONS IN SHEET 1.
3. FOR ANCHOR DETAILS SEE SHEETS 5 AND 6.
4. DOOR CONFIGURATIONS SHOWN WITH STD. ASTRAGAL ONLY. USE REINF. ASTRAGAL AS REQUIRED SEE SHEET 1 FOR CAPACITY AND SHEET 7 FOR DETAIL.



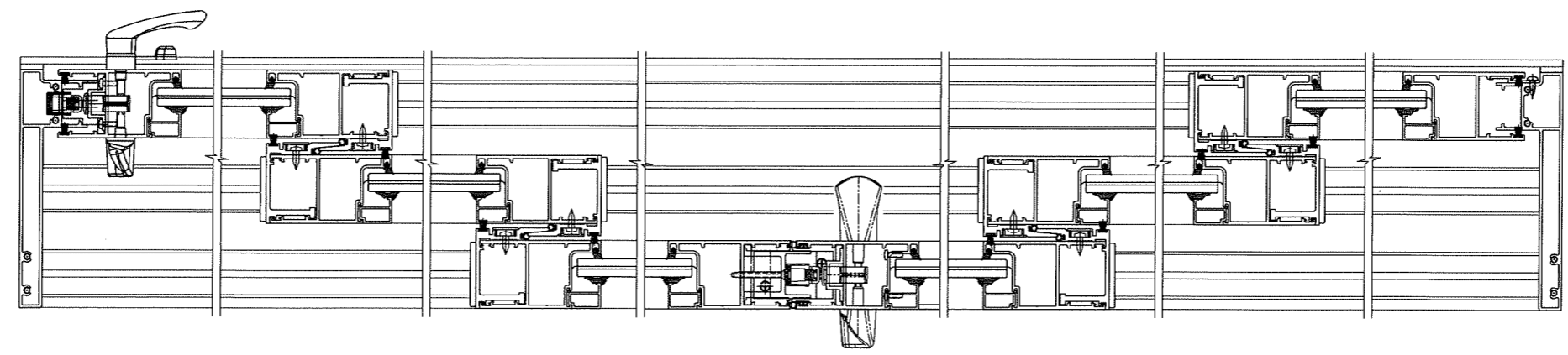
XXX (SHOWN & REVERSE)  
 XXO  
 OXX



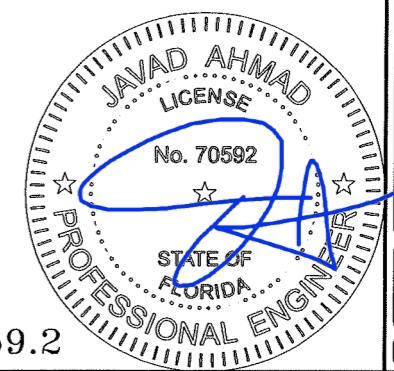
XXX-O (SHOWN & REVERSE)  
 O-XXX



XXX-XXO (SHOWN & REVERSE)  
 OXX-XXX  
 XXX-XXX  
 OXX-XXO



APPROVED CONFIGURATIONS

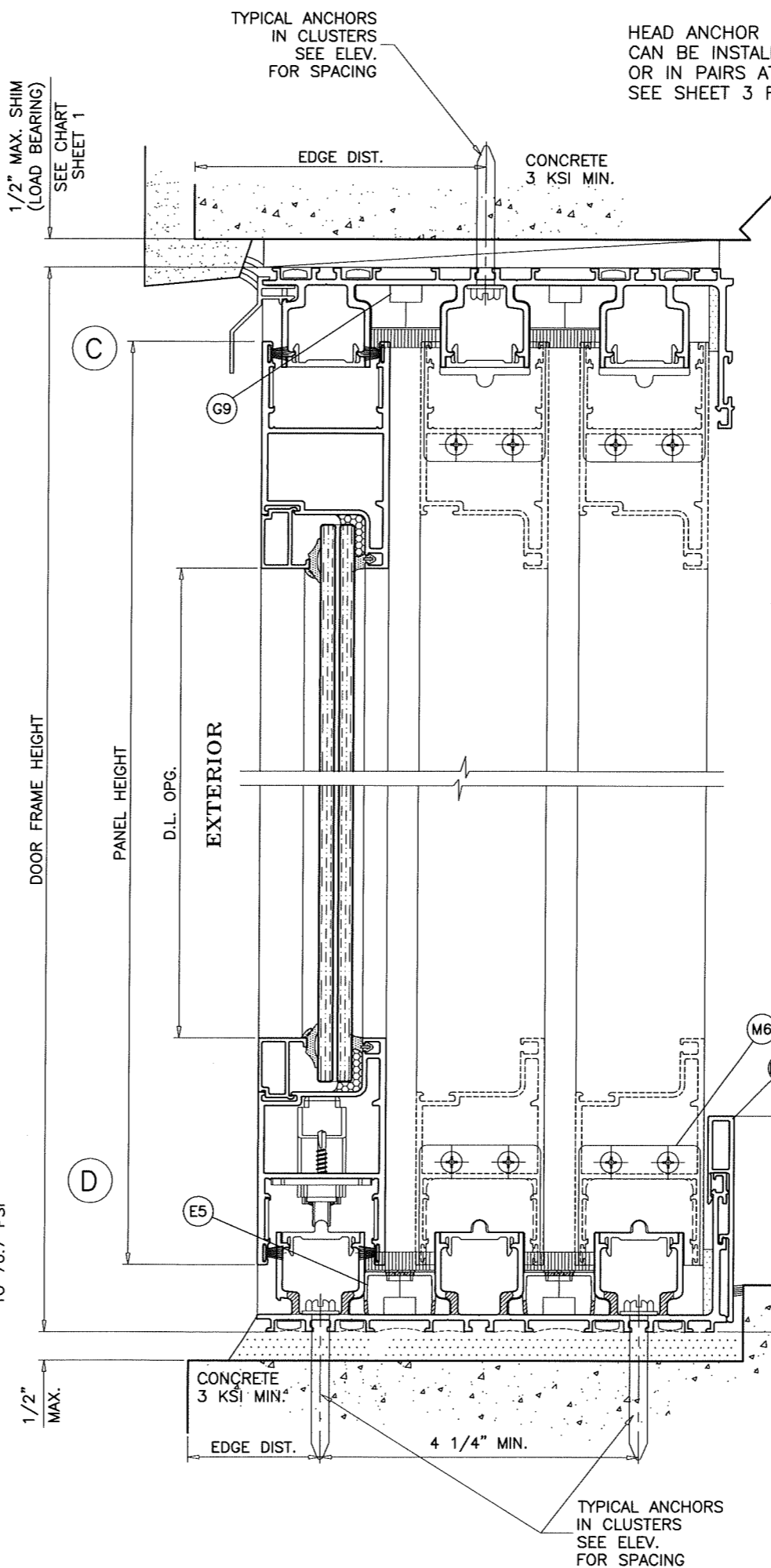
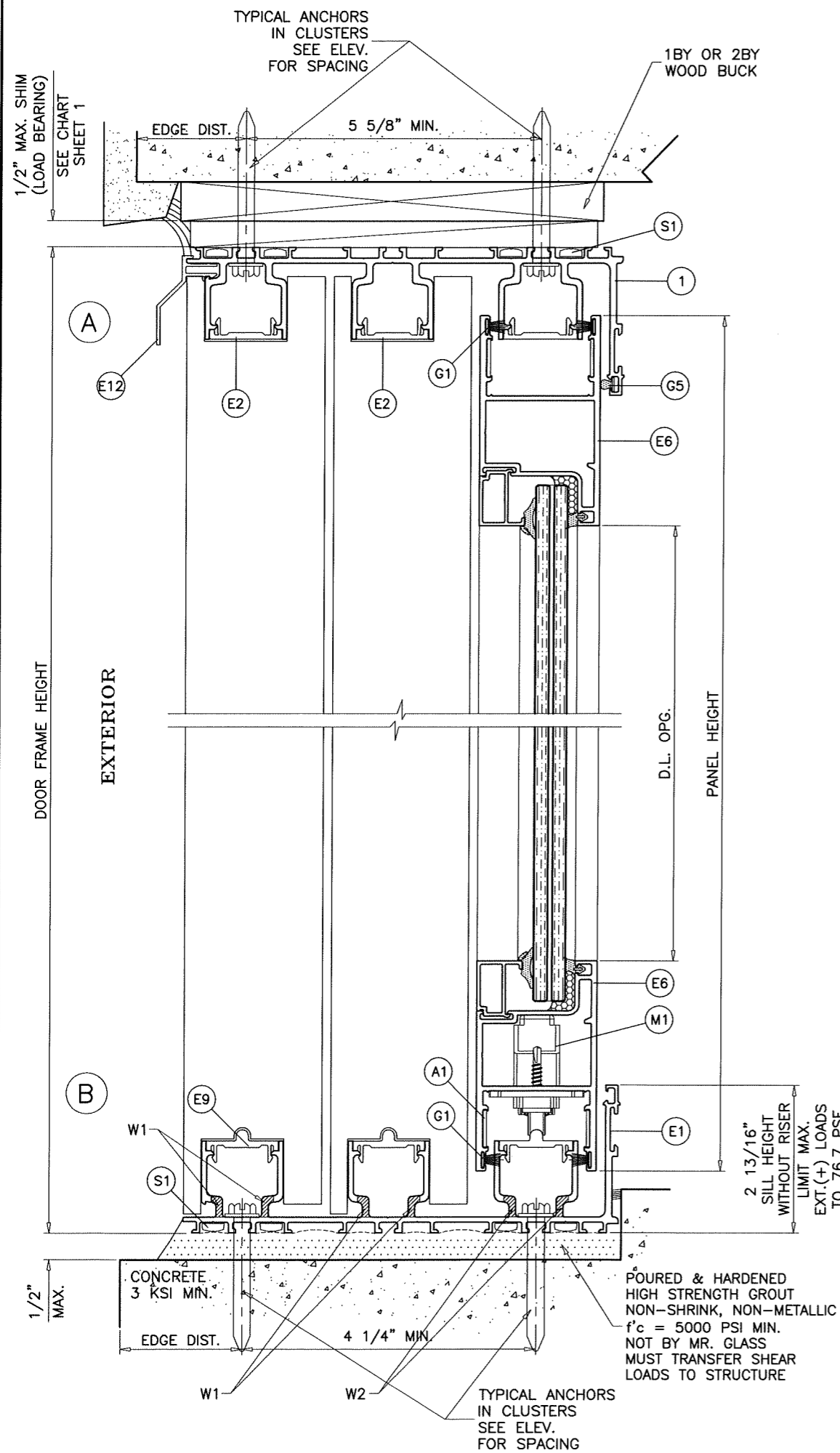


FL #25959.2

| revisions: |                     |
|------------|---------------------|
| no         | date by description |
|            |                     |
|            |                     |
|            |                     |
|            |                     |
|            |                     |

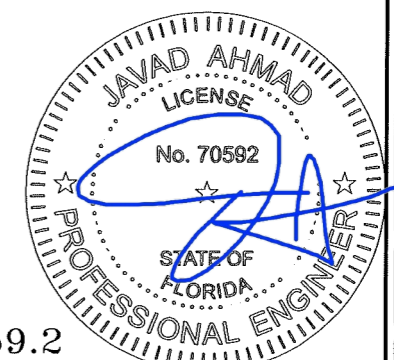
|                    |          |               |          |
|--------------------|----------|---------------|----------|
| date: 12-28-17     | scale: - | dr. by: TARIQ | chk. by: |
| drawing no. 18-16F |          |               |          |
| sheet 4 of 11      |          |               |          |



HEAD ANCHOR CLUSTERS AT INTERLOCK AND ASTRAGAL LOCATIONS CAN BE INSTALLED IN LINE AT CENTER TRACK OR IN PAIRS AT EXTERIOR AND INTERIOR TRACKS SEE SHEET 3 FOR SPACING

**WEEPHOLES:**

- W1 = 1/4" X 1-1/2" LONG WEEP HOLES AT 5" FROM EACH END AND 7" O.C.
- W2 = 1/4" X 1-1/2" LONG WEEP HOLES (4) AT MOV. PANEL AT 7" O.C.



FL #25959.2

**af c**

**AL-FAROOQ CORPORATION**  
ENGINEERS & PRODUCT DEVELOPMENT  
9360 SUNSET DRIVE, SUITE 220  
MIAMI, FLORIDA 33173 (C.A.N. 3538)  
TEL. (305) 264-8100 FAX. (305) 262-6978

COMP-ANL 18-16F-MG

---

SERIES 1100 ALUM SLIDING GLASS DOOR (S.M.I.)

**MR. GLASS DOORS & WINDOWS INC.**  
8120 N.W. 84 STREET  
MEDLEY, FL. 33166  
TEL. (305) 470-8284 FAX. (305) 470-8285

revisions:

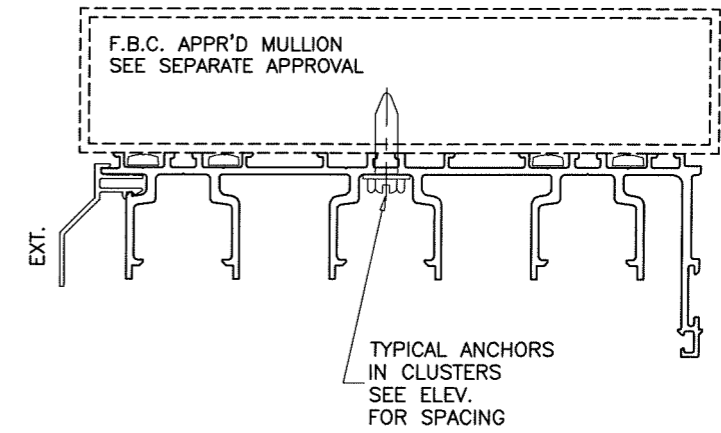
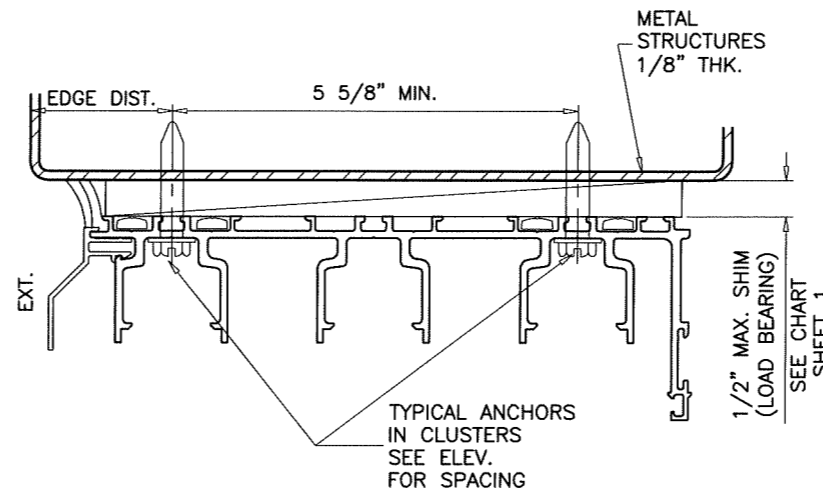
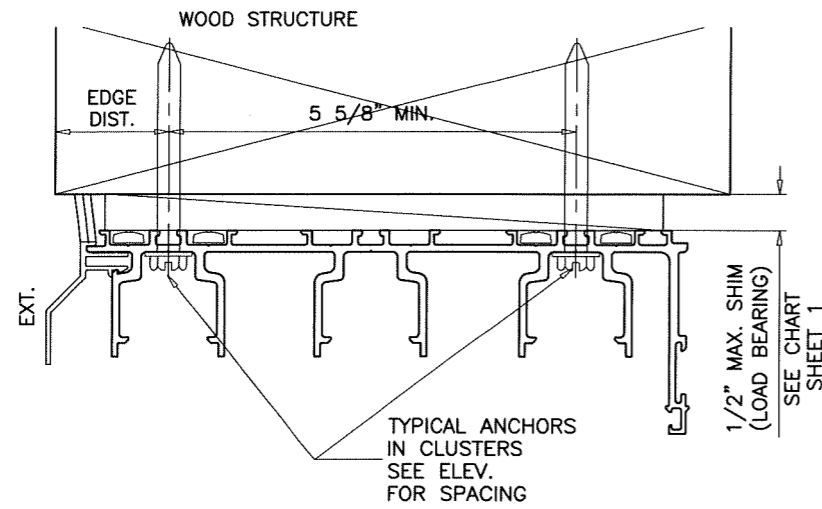
| no | date | description |
|----|------|-------------|
|    |      |             |
|    |      |             |
|    |      |             |
|    |      |             |

date: 12-28-17  
scale: 3/8" = 1"  
dr. by: TARIQ  
chk. by:

---

drawing no.  
**18-16F**

sheet 5 of 11



HEAD ANCHOR CLUSTERS AT INTERLOCK AND ASTRAGAL LOCATIONS CAN BE INSTALLED IN LINE AT CENTER TRACK OR IN PAIRS AT EXTERIOR AND INTERIOR TRACKS SEE SHEET 3 FOR SPACING

1BY OR 2BY WOOD BUCKS AND METAL STRUCTURE NOT BY MR. GLASS MUST SUSTAIN LOADS IMPOSED BY GLAZING SYSTEM AND TRANSFER THEM TO THE BUILDING STRUCTURE.

**TYPICAL ANCHORS:** SEE ELEV. FOR SPACING

**AT HEAD**

- TYPE 'A' - 5/16" X 2-3/4" ULTRACON BY 'ELCO' (Fu=177 KSI, Fy=155 KSI)  
 INTO WOOD STRUCTURES  
 1-7/8" MIN. PENETRATION INTO WOOD  
 THRU 1BY OR 2BY BUCKS INTO CONCRETE  
 1-1/2" MIN. EMBED INTO CONCRETE
- TYPE 'B' - 5/16" X 2-3/4" ULTRACON BY 'ELCO' (Fu=177 KSI, Fy=155 KSI)  
 DIRECTLY INTO CONCRETE  
 1-3/4" MIN. EMBED
- TYPE 'C' - 5/16" DIA. TEKS SELF DRILLING SCREWS (GRADE 5 CRS)  
 INTO F.B.C. APPROVED MULLIONS  
 OR  
 INTO METAL STRUCTURES  
 (3) THREADS MIN. TO EXTEND BEYOND METAL THICKNESS  
 ALUMINUM: 1/8" THK. MIN. (6063-T5 MIN.)  
 STEEL: 1/8" THK. MIN. (Fy = 36 KSI MIN.)  
 (STEEL IN CONTACT WITH ALUMINUM TO BE PLATED OR PAINTED)

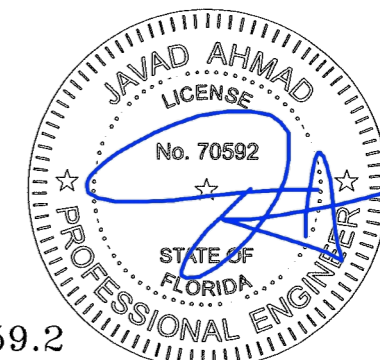
**AT SILL**

- TYPE 'D' - 5/16" DIA. ULTRACON BY 'ELCO' (Fu=177 KSI, Fy=155 KSI)  
 DIRECTLY INTO CONCRETE  
 1-3/4" MIN. EMBED

**ANCHOR EDGE DISTANCES**

INTO CONCRETE AT HEAD/SILL = 1-3/4" MIN.  
 INTO WOOD STRUCTURE = 1-1/4" MIN.  
 INTO METAL STRUCTURE = 3/4" MIN.

WOOD AT HEAD SG = 0.55 MIN.  
 CONCRETE AT HEAD, SILL f'c = 3000 PSI MIN.



FL #25959.2

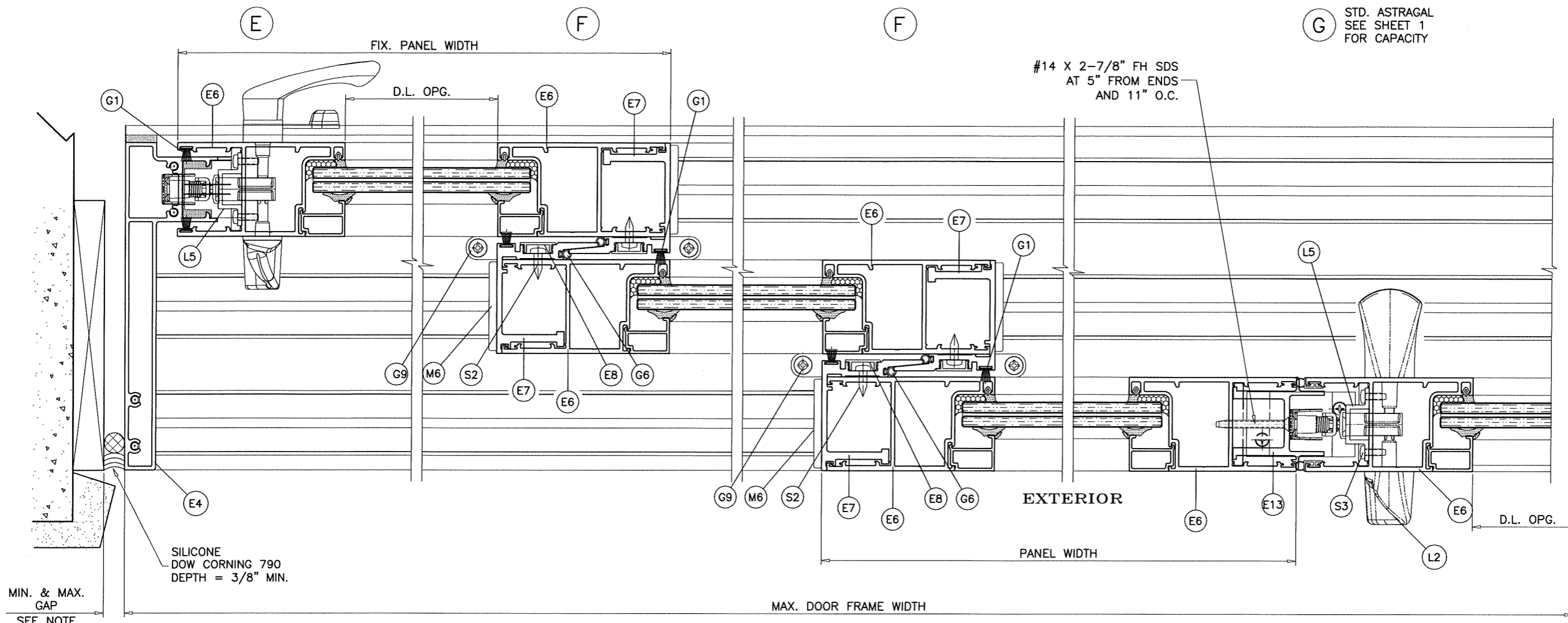
**af c**  
**AL-FAROOQ CORPORATION**  
 ENGINEERS & PRODUCT DEVELOPMENT  
 9360 SUNSET DRIVE, SUITE 220  
 MIAMI, FLORIDA 33173 (C.A.N. 3538)  
 TEL. (305) 264-8100 FAX. (305) 262-6978  
 COMP-ANL 18-16F-MG

SERIES 1100 ALUM SLIDING GLASS DOOR (S.M.I.)  
**MR. GLASS DOORS & WINDOWS INC.**  
 8120 N.W. 84 STREET  
 MEDLEY, FL. 33166  
 TEL. (305) 470-8284 FAX. (305) 470-8285

| revisions: | no | date | by | description |
|------------|----|------|----|-------------|
|            |    |      |    |             |

date: 12-28-17  
 scale: 3/8" = 1"  
 dr. by: TARIQ  
 chk. by:

drawing no.  
**18-16F**  
 sheet 6 of 11



MIN. & MAX. GAP  
SEE NOTE SHEET 8

SILICONE DOW CORNING 790  
DEPTH = 3/8" MIN.

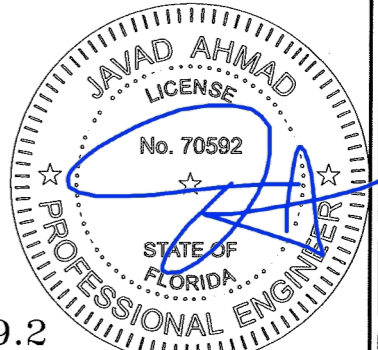
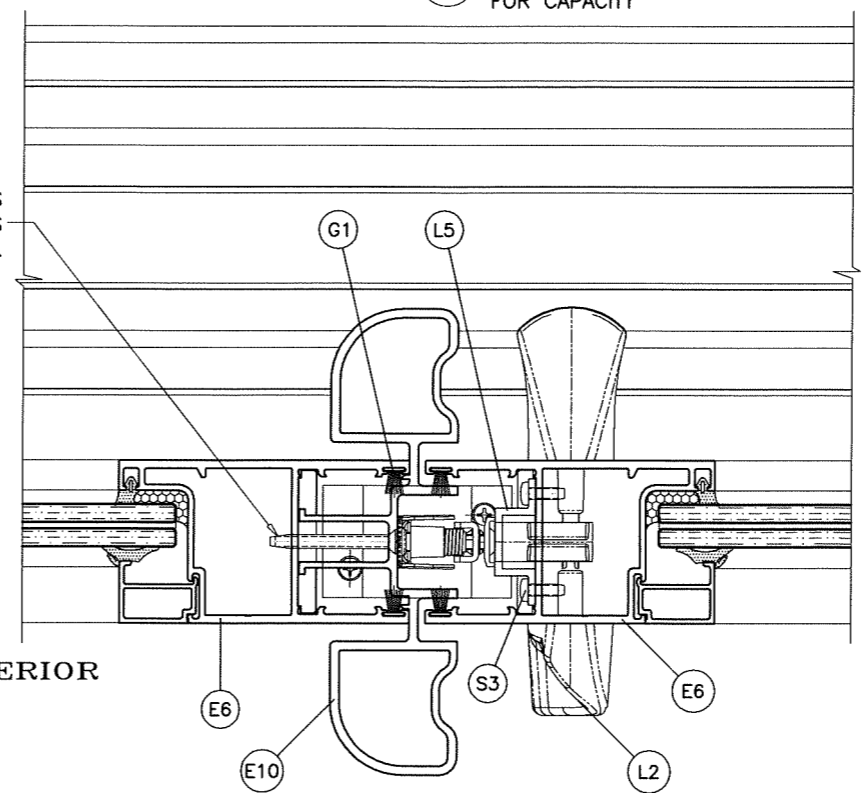
#14 X 2-7/8" FH SDS  
AT 5" FROM ENDS  
AND 11" O.C.

G STD. ASTRAGAL  
SEE SHEET 1  
FOR CAPACITY

MAX. DOOR FRAME WIDTH

G REINF. ASTRAGAL  
SEE SHEET 1  
FOR CAPACITY

#14 X 2-7/8" FH SDS  
AT 5" FROM ENDS  
AND 11" O.C.



FL #25959.2

Sealed: 1/26/2018

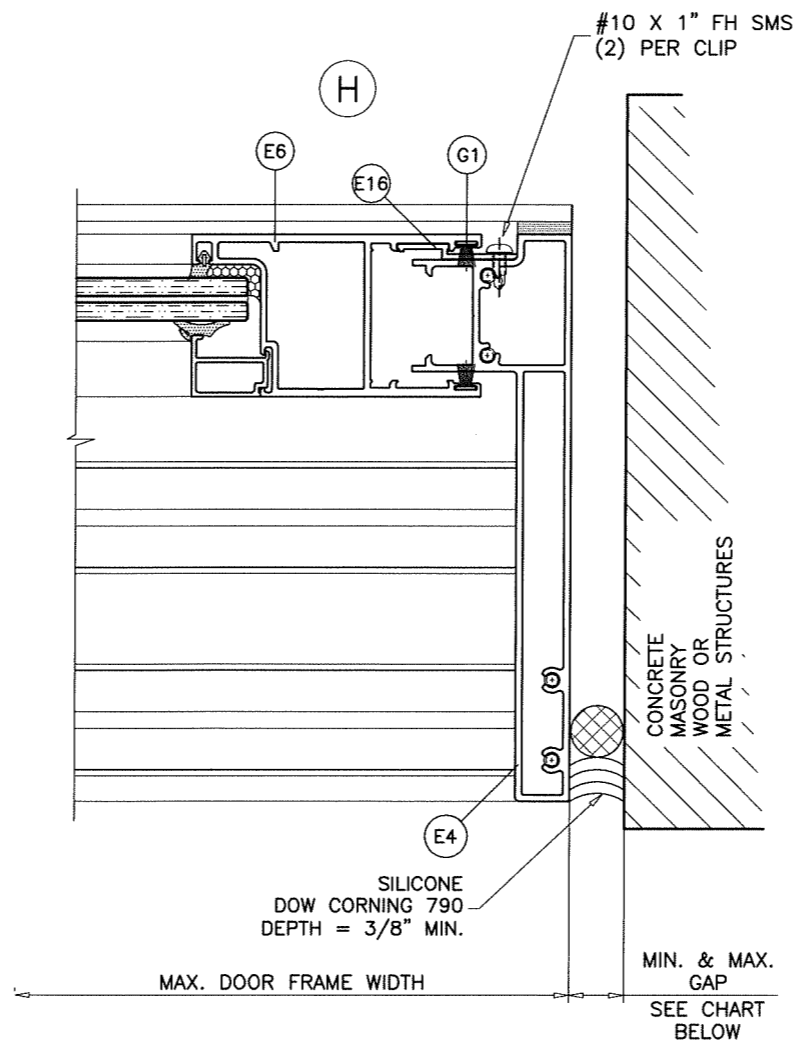
**afc**  
**AL-FAROOQ CORPORATION**  
ENGINEERS & PRODUCT DEVELOPMENT  
9360 SUNSET DRIVE, SUITE 220  
MIAMI, FLORIDA 33173 (C.A.N. 3538)  
TEL. (305) 264-8100 FAX. (305) 262-6978  
COMP-ANL 18-16F-MG

SERIES 1100 ALUM SLIDING GLASS DOOR (S.M.I.)  
**MR. GLASS DOORS & WINDOWS INC.**  
8120 N.W. 84 STREET  
MEDLEY, FL. 33166  
TEL. (305) 470-8284 FAX. (305) 470-8285

| revisions: |                     |
|------------|---------------------|
| no         | date by description |
|            |                     |
|            |                     |
|            |                     |
|            |                     |
|            |                     |

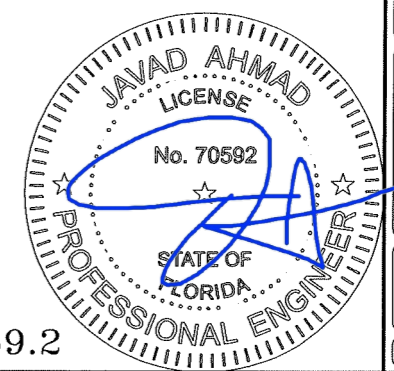
|                    |                  |               |          |
|--------------------|------------------|---------------|----------|
| date: 12-28-17     | scale: 3/8" = 1" | dr. by: TARIQ | chk. by: |
| drawing no. 18-16F |                  |               |          |
| sheet 7 of 11      |                  |               |          |



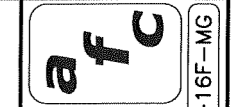
| MAX. FRAME HEIGHT | GAP   |      |
|-------------------|-------|------|
|                   | MIN.  | MAX. |
| 90"               | 1/4"  | 3/4" |
| 108"              | 5/16" | 3/4" |
| 120"              | 3/8"  | 3/4" |

NOTE:  
 MAX. MOVEMENT CONSIDERED=100% STRETCH.  
 PLEASE REFER TO SEALANT MANUFACTURER'S DATA AND APPLICATION MANUAL FOR COMPATABILITY OF SEALANT TO SUBSTRATE & WINDOW WALL MATERIAL/FINISH AND COMPLIANCE FOR WARRANTY.  
 REFER TO ACI-117-10 FOR CONSTRUCTION TOLERANCES.

ALTERNATE SEALANTS AT JAMB GAPS CAN BE DESIGNED BY ENGINEER OF RECORD BASED ON MANUFACTURER GUIDE LINES.  
 GAPS LESS THAN 1/4" MAY BE DESIGNED BY ENGINEER OF RECORD BY THE USE OF BOND BREAKER TAPE OR 15% OF GAP ALLOWED MOVEMENT.



FL #25959.2



**AL-FAROOQ CORPORATION**  
 ENGINEERS & PRODUCT DEVELOPMENT  
 9360 SUNSET DRIVE, SUITE 220  
 MIAMI, FLORIDA 33173 (C.A.N. 3538)  
 TEL. (305) 264-8100 FAX. (305) 262-6978  
 COMP-ANL\18-16F-MG

SERIES 1100 ALUM SLIDING GLASS DOOR (S.M.I.)  
**MR. GLASS DOORS & WINDOWS INC.**  
 8120 N.W. 84 STREET  
 MEDLEY, FL. 33166  
 TEL. (305) 470-8284 FAX. (305) 470-8285

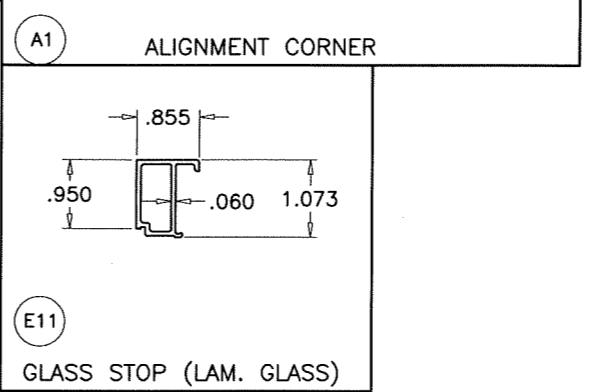
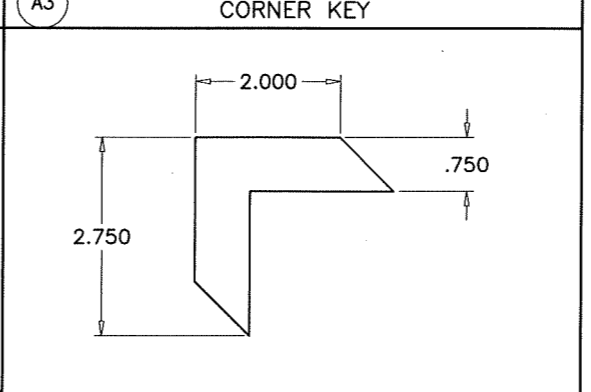
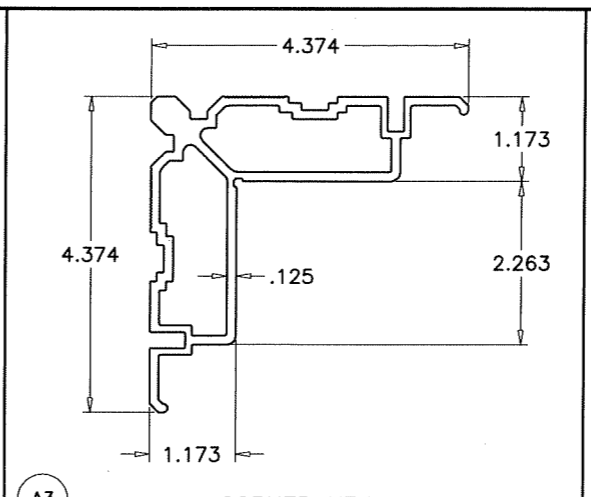
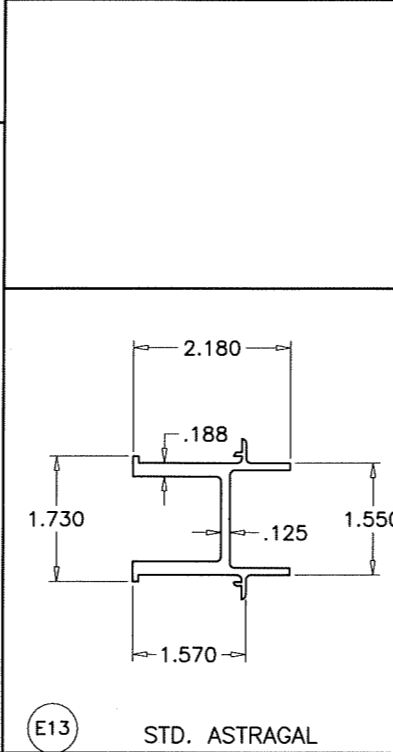
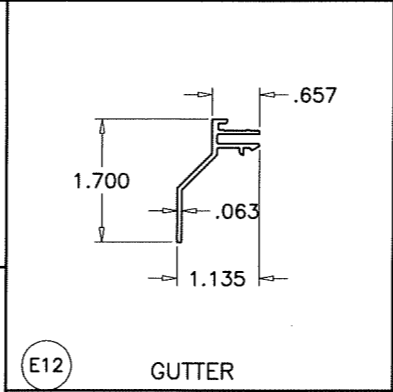
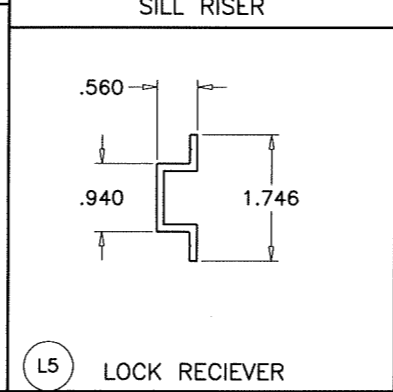
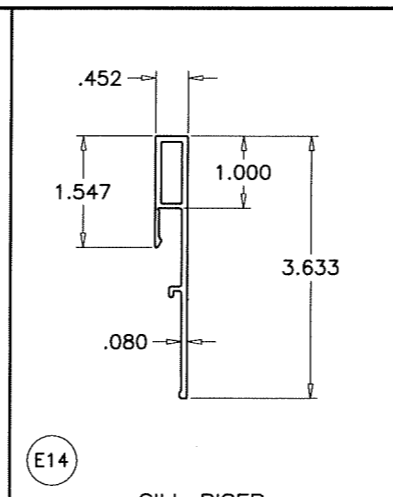
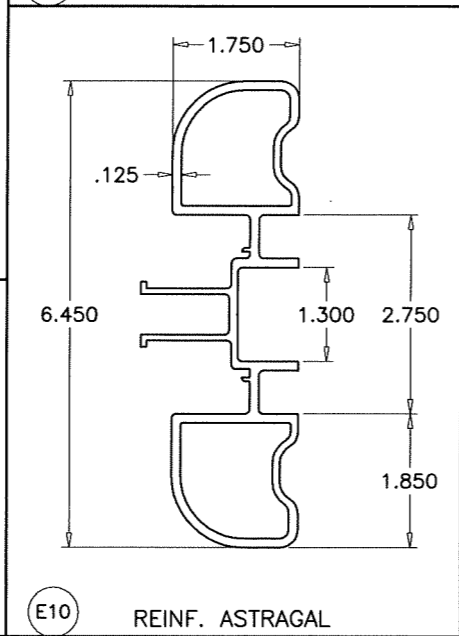
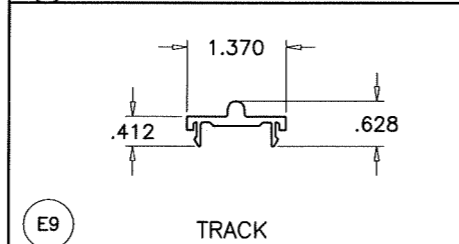
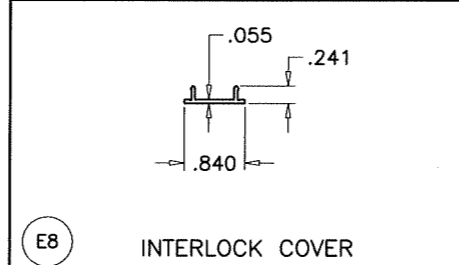
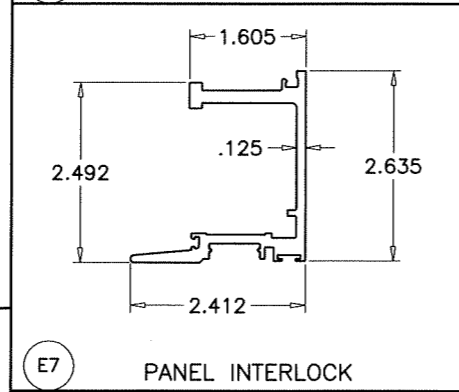
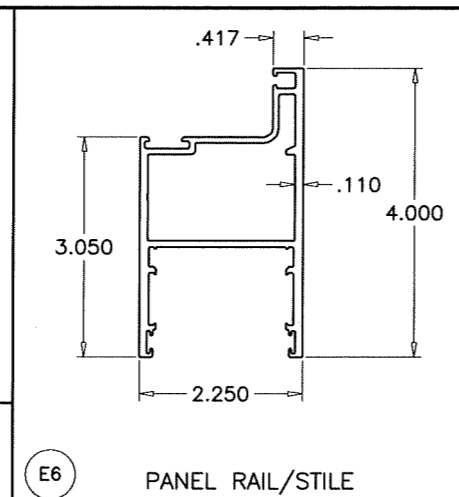
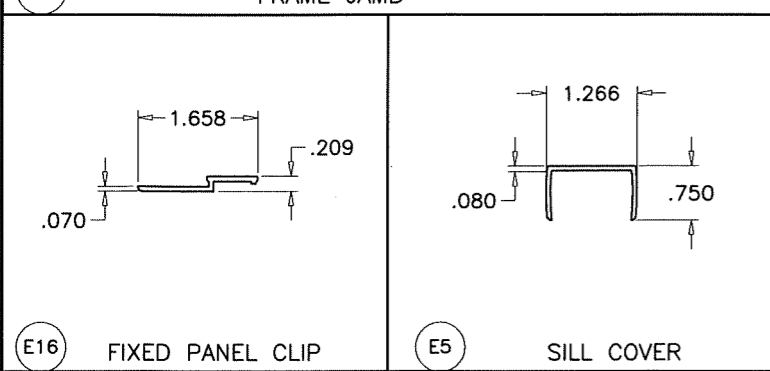
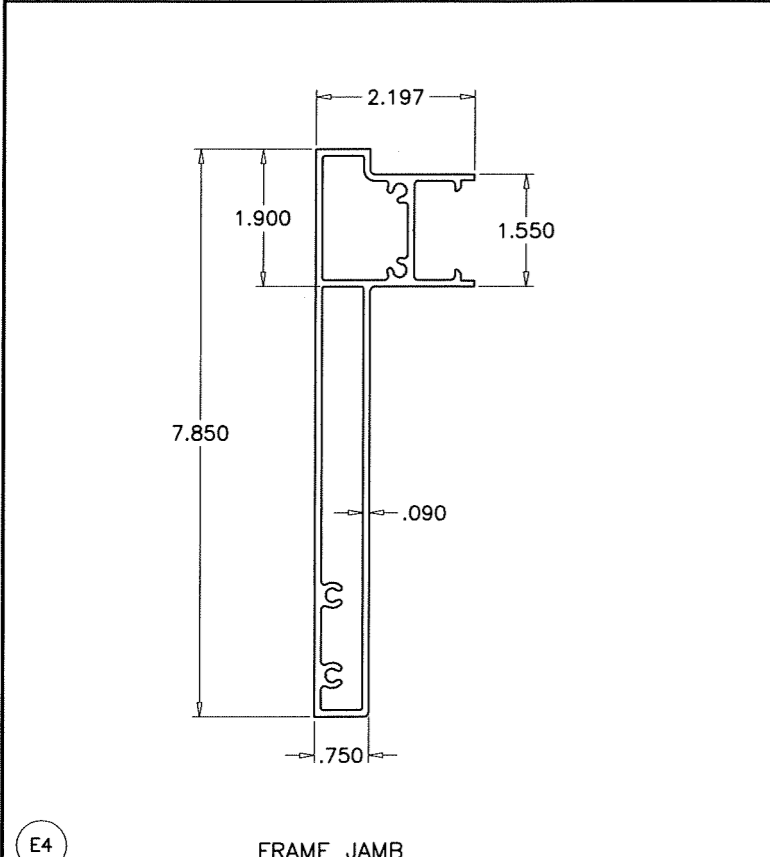
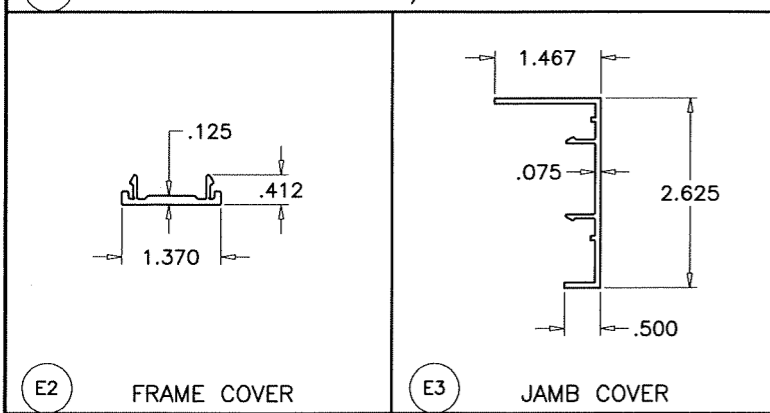
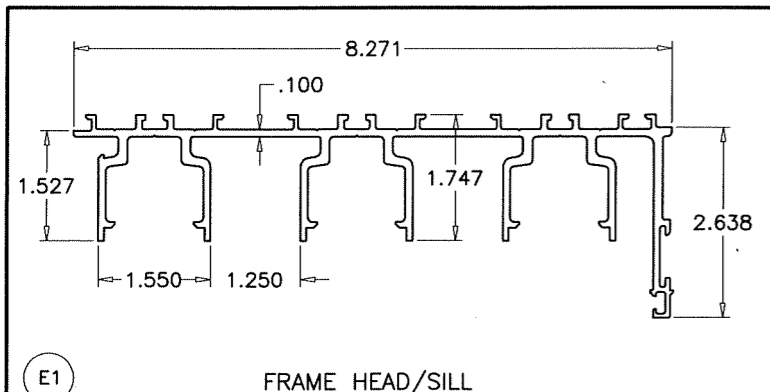
Revisions:

| no | date | description |
|----|------|-------------|
|    |      |             |
|    |      |             |
|    |      |             |

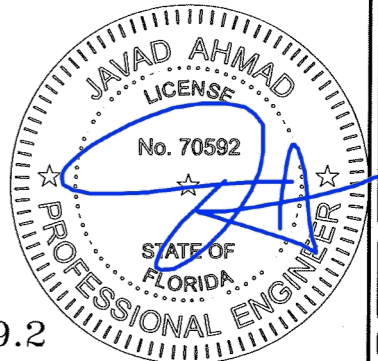
date: 12-28-17  
 scale: 3/8" = 1"  
 dr. by: TARIQ  
 chk. by:

drawing no.  
**18-16F**  
 sheet 8 of 11





FL #25959.2



**af c**  
**AL-FAROOQ CORPORATION**  
 ENGINEERS & PRODUCT DEVELOPMENT  
 9360 SUNSET DRIVE, SUITE 220  
 MIAMI, FLORIDA 33173 (C.A.N. 3538)  
 TEL. (305) 264-8100 FAX. (305) 262-6978  
 COMP-ANL\18-16F-MG

SERIES 1100 ALUM SLIDING GLASS DOOR (S.M.I.)  
**MR. GLASS DOORS & WINDOWS INC.**  
 8120 N.W. 84 STREET  
 MEDLEY, FL. 33166  
 TEL. (305) 470-8284 FAX. (305) 470-8285

| revisions: |                     |
|------------|---------------------|
| no         | date by description |
|            |                     |
|            |                     |
|            |                     |
|            |                     |
|            |                     |

date: 12-28-17  
 scale: 3/8" = 1"  
 dr. by: TARIQ  
 chk. by:  

drawing no. **18-16F**  
 sheet 9 of 11

| ITEM # | PART #       | QUANTITY      | DESCRIPTION                                       | MATERIAL         | MANF./SUPPLIER/REMARKS                 |
|--------|--------------|---------------|---|------------------|--|
| E1     | E-1101       | 2             | FRAME HEAD/SILL                                   | 6063-T6          | -                                      |
| E2     | E-1008       | AS REQD.      | FRAME COVER                                       | 6063-T5          | -                                      |
| E3     | -            | AS REQD.      | JAMB COVER  | 6063-T5          | -                                      |
| E4     | E-1102       | 2             | FRAME JAMB  | 6063-T6          | -                                      |
| E5     | E-9006       | AS REQD.      | SILL COVER  | 6063-T5          | -                                      |
| E6     | E-1010       | AS REQD.      | PANEL RAIL/STILE                                  | 6005-T5          | -                                      |
| E7     | E-1011       | AS REQD.      | PANEL INTERLOCK                                   | 6005-T5          | -                                      |
| E8     | E-1018       | AS REQD.      | INTERLOCK COVER                                   | 6063-T5          | -                                      |
| E9     | E-1007       | 1/ MOV. PANEL | TRACK   | 6063-T5          | -                                      |
| E10    | E-1013       | AS REQD.      | REINF. ASTRAGAL                                   | 6005-T5          | -                                      |
| E11    | E-9001       | 4/ PANEL      | GLASS STOP (LAM. GLASS)                           | 6063-T6          | -                                      |
| E12    | E-1016       | AS REQD.      | GUTTER  | 6063-T5          | -                                      |
| E13    | E-1012       | AS REQD.      | STD. ASTRAGAL                                     | 6005-T5          | -                                      |
| E14    | E-1014       | AS REQD.      | 3-5/8" SILL RISER                                 | 6063-T6          | -                                      |
| E16    | E-1021       | 3/ PANEL      | FIXED PANEL CLIP, AT 17" FROM ENDS & 40" O.C.     | 6063-T5          | EACH FASTENED WITH (2) #10 X 1" FH SMS |
| G1     | W71325NK     | AS REQD.      | TRI FIN PILE W'STRIPPING                          | -                | ULTRAFAB                               |
| G2     | -            | AS REQD.      | COMPRESSION GASKET                                | EPDM             | DUROMETER 70±5 SHORE A                 |
| G3     | G10-03       | AS REQD.      | OFFSET GLAZING GASKET                             | SANTOPRENE       | DUROMETER 70±5 SHORE A                 |
| G4     | G10-04       | AS REQD.      | WEDGE GASKET                                      | EPDM             | DUROMETER 70±5 SHORE A                 |
| G5     | G10-06       | AS REQD.      | AIR SEAL GASKET                                   | SANTOPRENE       | ULTRAFAB                               |
| G6     | G10-06       | AS REQD.      | INTERLOCK GASKET                                  | POLYPROPYLENE    | ULTRAFAB                               |
| G8     | -            | -             | 1/4" THK. FOAM PAD                                | POLYETHYLENE     | -                                      |
| G9     | G10-09       | -             | AIR SEAL BRIDGE AT INTERLOCK                      | POLYAMIDE        | -                                      |
| G10    | -            | -             | AIR SEAL BRIDGE AT MTG. STILE                     | POLYAMIDE        | -                                      |
| G11    | -            | AS REQD.      | SETTING BLOCKS                                    | EPDM             | DUROMETER 80±5 SHORE A                 |
| A1     | A10-01       | -             | ALIGNMENT CORNER                                  | 6063-T5          | -                                      |
| A3     | E-9005       | -             | CORNER KEY  | 6063-T6          | -                                      |
| L1     | L10-01       | -             | 2 POINT MORTISE LOCK & HANDLE                     | -                | INTERLOCK                              |
| L2     | PS01-7102    | -             | 2 POINT MORTISE LOCK & HANDLE                     | -                | INTERLOCK                              |
| L3     | PS01-1005    | -             | ADJUSTABLE STRIKER                                | -                | INTERLOCK                              |
| L5     | E-1017       | -             | LOCK RECIEVER                                     | 6063-T5          | -                                      |
| M1     | M10-10A      | 2 PANEL       | ROLLER ASSEMBLY AT 9" FROM ENDS                   | ST. STEEL/ACETAL | FASTENED WITH (2) 12-24 X 3/4" PH MS   |
| M6     | M10-06       | AS REQD.      | PANEL GUIDES                                      | NYLON            | -                                      |
| M7     | M10-07       | AS REQD.      | PANEL GUIDES                                      | NYLON            | -                                      |
| S1     | #12 X 1 1/2" | 4/ CORNER     | FRAME ASSEMBLY FASTENERS                          | ST. STEEL        | HWH SDS                                |
| S2     | 10-24 X 1/2" | AS REQD.      | INTERLOCK FASTENERS, AT 6" FROM ENDS AND 12" O.C. | ST. STEEL        | PH TC MS                               |
| S3     | #8-18 X 1/2" | AS REQD.      | LOCK RECIEVER FASTENERS                           | AISI 304         | PHILIP PH SMS                          |
| S4     | #10 X 1/2"   | AS REQD.      | PANEL ASSEMBLY FASTENERS                          | ST. STEEL        | FH SMS                                 |

**SEALANT:**

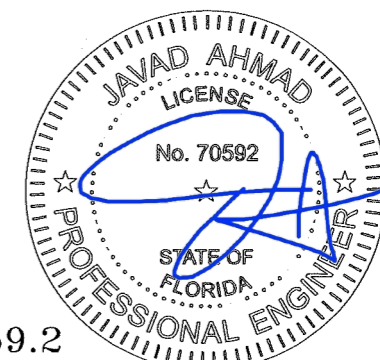
ALL JOINTS AND FRAME CONNECTIONS SEALED WITH WHITE/ALUMINUM COLORED SILICONE.

**LOCKS:**

SURFACE MOUNT METALLIC THREE PLY DUAL HOOK LOCK AT 38-1/2" FROM BOTTOM FASTENED TO LOCK STILE WITH (2) 10-24 X 1/2" FH TC MS

SURFACE MOUNT METALLIC HANDLE AT 38-1/2" FROM BOTTOM FASTENED TO LOCK STILE WITH (2) 8-32 X 2-5/8" FH MS

SURFACE MOUNT METALLIC KEEPER FACING LOCK AT 38 1/2" FROM BOTTOM FASTENED WITH (1) #14 X 2-7/8" FH SDS AND (1) 12-24 X 1/2" PH MS



FL #25959.2

afC

**AL-FAROOQ CORPORATION**  
ENGINEERS & PRODUCT DEVELOPMENT  
9360 SUNSET DRIVE, SUITE 220 (C.A.N. 3538)  
MIAMI, FLORIDA 33173  
TEL. (305) 264-8100 FAX. (305) 262-6978  
COMP-ANL\18-16F-MG

---

SERIES 1100 ALUM SLIDING GLASS DOOR (S.M.I.)

**MR. GLASS DOORS & WINDOWS INC.**  
8120 N.W. 84 STREET  
MEDLEY, FL. 33166  
TEL. (305) 470-8284 FAX. (305) 470-8285

---

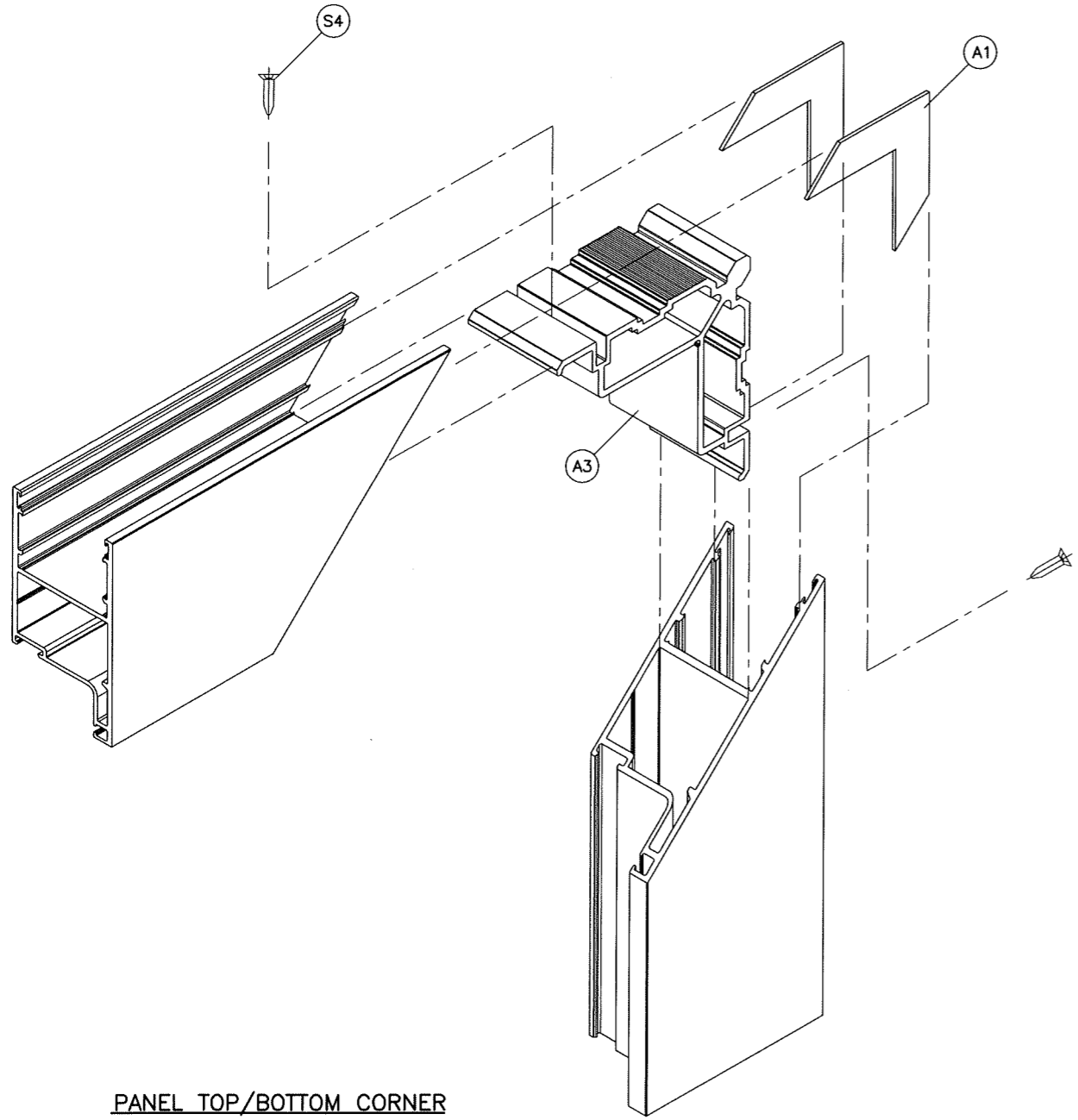
|            |    |      |    |             |
|------------|----|------|----|-------------|
| revisions: | no | date | by | description |
|            |    |      |    |             |

---

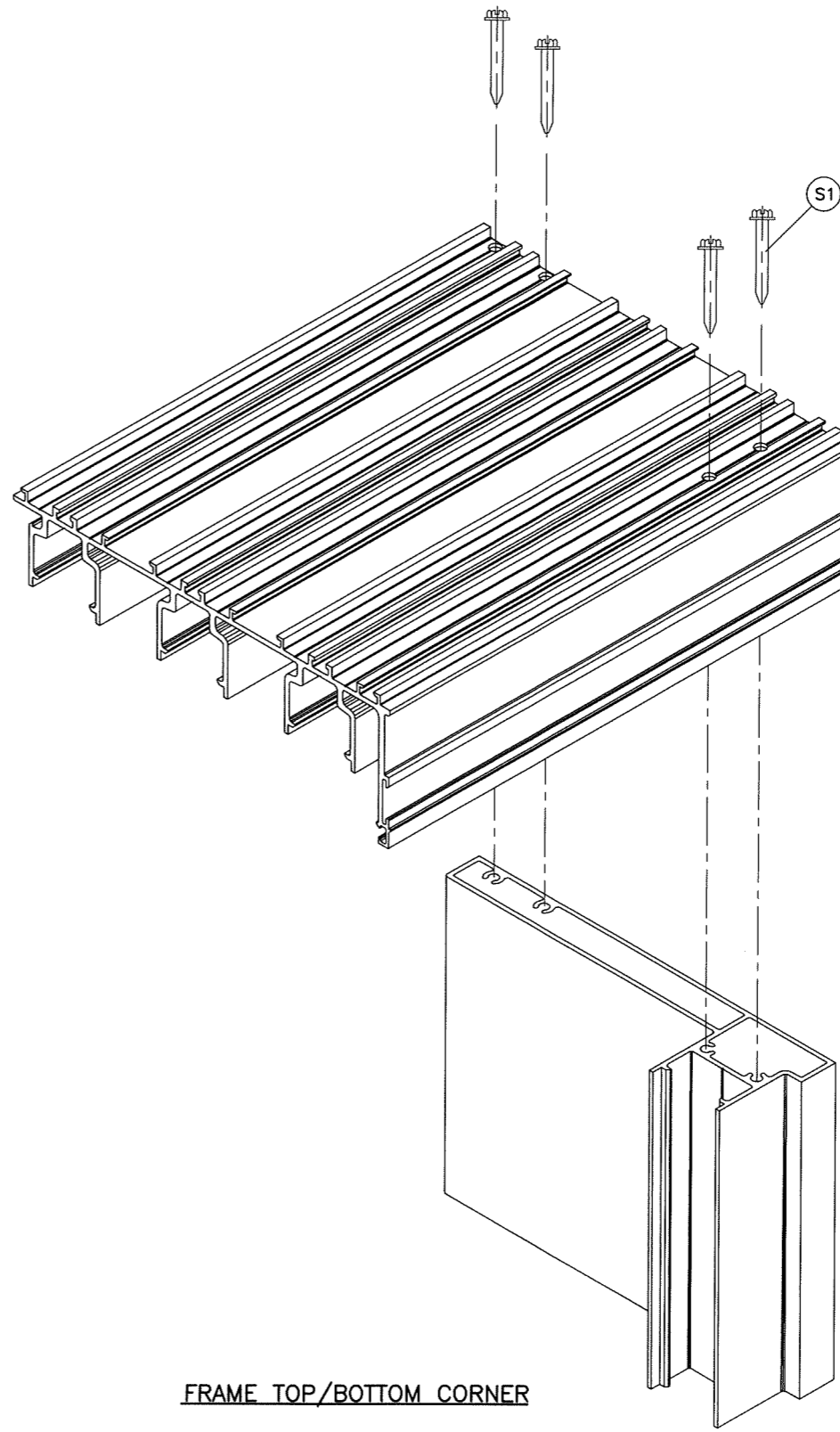
date: 12-28-17  
scale: 3/8" = 1"  
dr. by: TARIQ  
chk. by:

---

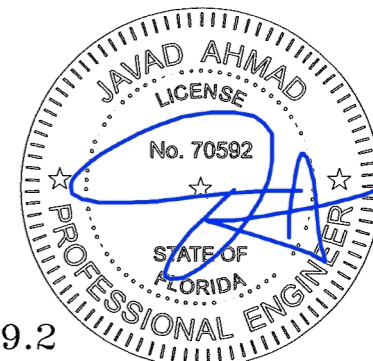
drawing no.  
**18-16F**  
sheet 10 of 11



PANEL TOP/BOTTOM CORNER



FRAME TOP/BOTTOM CORNER



FL #25959.2

**afc**

**AL-FAROOQ CORPORATION**  
 ENGINEERS & PRODUCT DEVELOPMENT  
 9360 SUNSET DRIVE, SUITE 220  
 MIAMI, FLORIDA 33173 (C.A.N. 3538)  
 TEL. (305) 264-8100 FAX. (305) 262-6978

COMP-ANL\18-16F-MG

SERIES 1100 ALUM SLIDING GLASS DOOR (S.M.I.)

**MR. GLASS DOORS & WINDOWS INC.**  
 8120 N.W. 84 STREET  
 MEDLEY, FL. 33166  
 TEL. (305) 470-8284 FAX. (305) 470-8285

| revisions: |                     |
|------------|---------------------|
| no         | date by description |
|            |                     |
|            |                     |
|            |                     |
|            |                     |
|            |                     |

|                |                  |
|----------------|------------------|
| date: 12-28-17 | scale: 3/8" = 1" |
| dr. by: TARIQ  | chk. by:         |

|                |
|----------------|
| drawing no.    |
| <b>18-16F</b>  |
| sheet 11 of 11 |