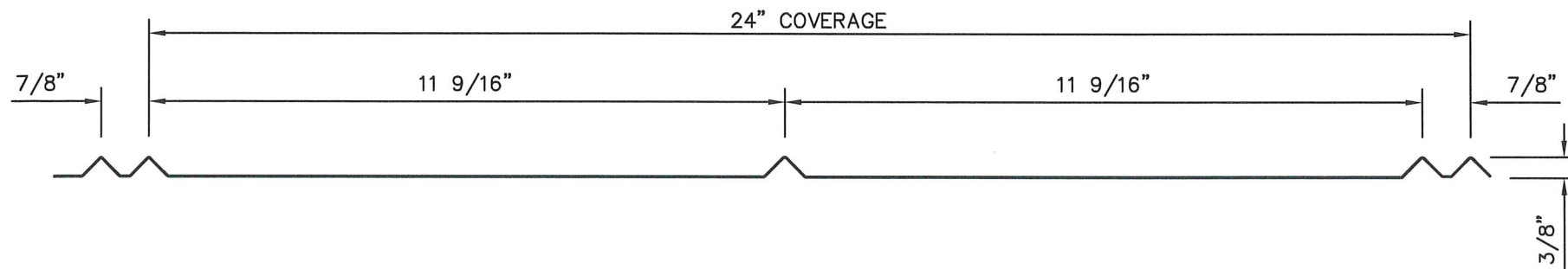
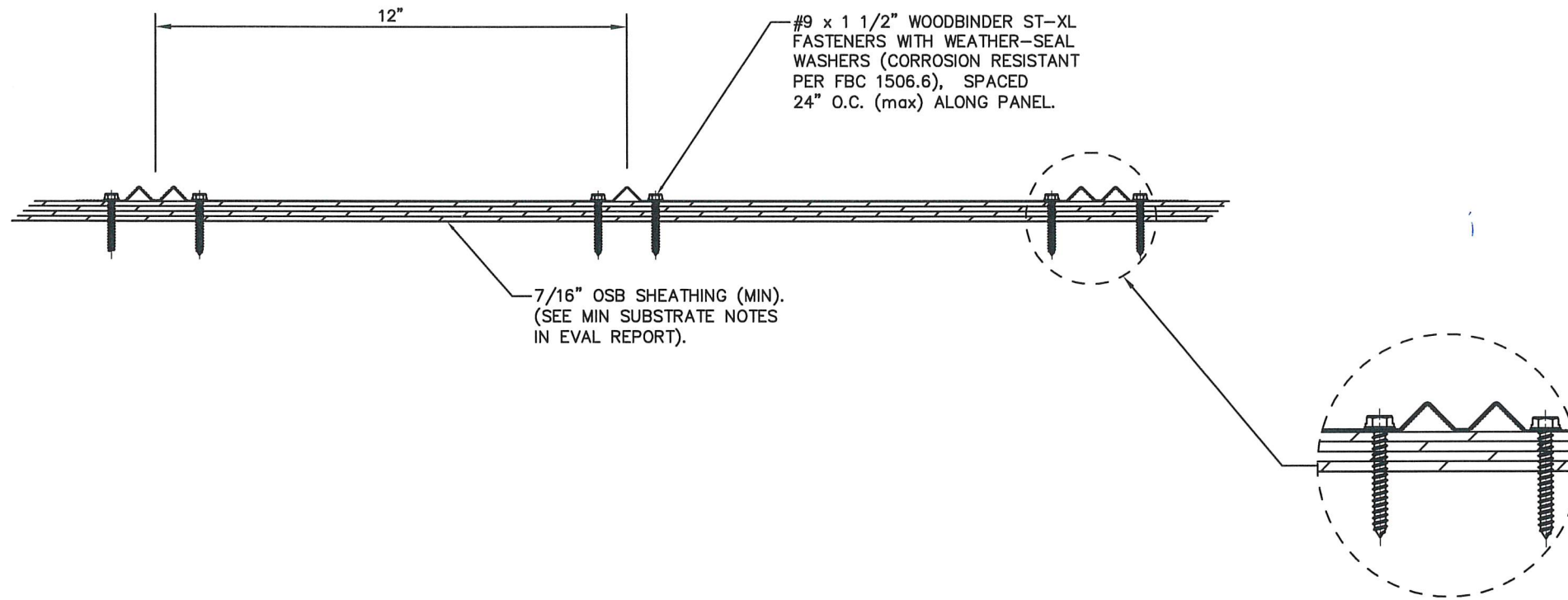


**26 Ga. STEEL 5V CRIMP 24" WIDE ROOF PANELS
OVER 7/16" OSB SHEATHING**

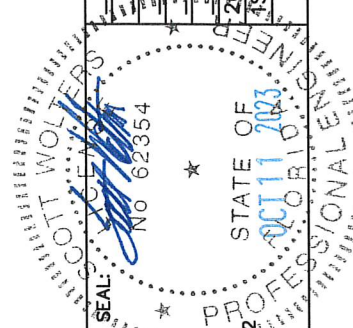


PANEL PROFILE

MAX DESIGN PRESSURE
-63.5 Psf

GENERAL NOTES:

1. ROOF SLOPE IS LIMITED PER THE REQUIREMENTS OF FBC SECTION 1507.4.2.
2. DESIGN OF SUBSTRATE IS BY OTHERS AND NOT A PART OF THIS APPROVAL.
3. ALL PANEL SYSTEM PERIMETERS, PENETRATIONS, AND TRANSITIONS TO BE FLASHED AND SEALED PER THE REQUIREMENTS OF RAS 133.



SCOTT WOLTERS
FL PE# 62354

WOLTERS ENGINEERING
(COA# 27194)
15211 97TH ROAD N
WEST PALM BEACH, FL 33412
(561) 225-1982

1ST COAST METAL ROOFING SUPPLY

PH: (561) 629-7288
www.1stcoastmrs.com

186 STATE ROAD 207
EAST PALATKA, FL 32131



DWG: **1CS5V1024**
SHEET: **1/1**

REV.#	ISSUED FOR	DATE
1	PRINTS ISSUED FOR	8/5/22
2		10/11/23
3	2023 CODE UPDATE	
4	1ST SUBMITTAL	