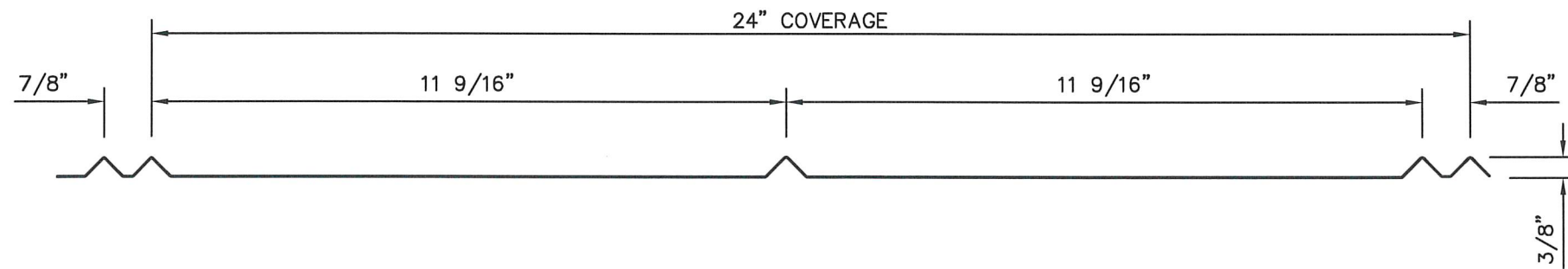
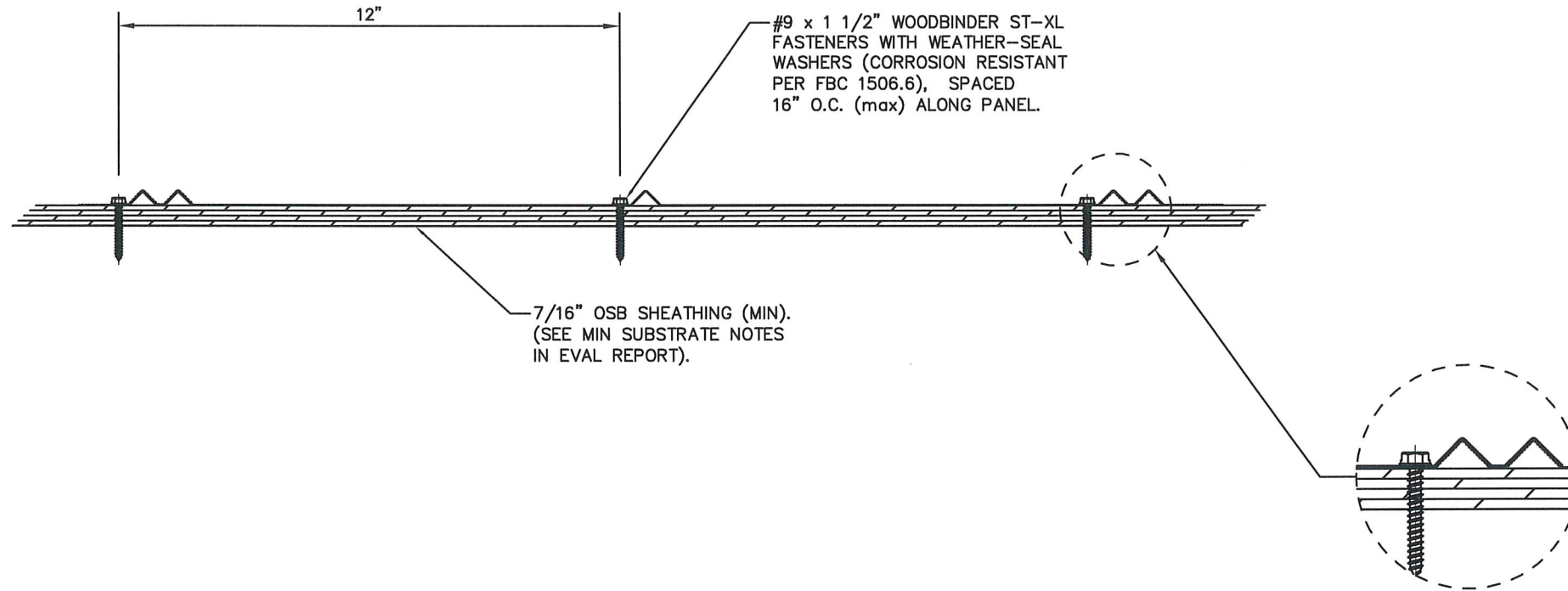


**26 Ga. STEEL 5V CRIMP 24" WIDE ROOF PANELS  
OVER 7/16" OSB SHEATHING**

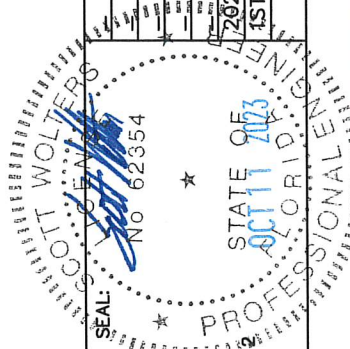


PANEL PROFILE

MAX DESIGN PRESSURE
-52.5 Psf

**GENERAL NOTES:**

1. ROOF SLOPE IS LIMITED PER THE REQUIREMENTS OF FBC SECTION 1507.4.2.
2. DESIGN OF SUBSTRATE IS BY OTHERS AND NOT A PART OF THIS APPROVAL.
3. ALL PANEL SYSTEM PERIMETERS, PENETRATIONS, AND TRANSITIONS TO BE FLASHED AND SEALED PER THE REQUIREMENTS OF RAS 133.



SCOTT WOLTERS  
FL PE# 62354

WOLTERS ENGINEERING  
(COA# 27194)  
15211 97TH ROAD N  
WEST PALM BEACH, FL 33412  
(561) 225-1982

**1ST COAST METAL ROOFING SUPPLY**

186 STATE ROAD 207  
EAST PALATKA, FL 32131

PH: (561) 629-7288  
www.1stcoastmrs.com

**1ST COAST METAL ROOFING SUPPLY**

DWG: **1CS5V1216**

SHEET: **1/1**

REV.#	ISSUED FOR	DATE
1	PRINTS	10/11/23
2	1ST SUBMITTAL	8/5/22
3	2023 CODE UPDATE	