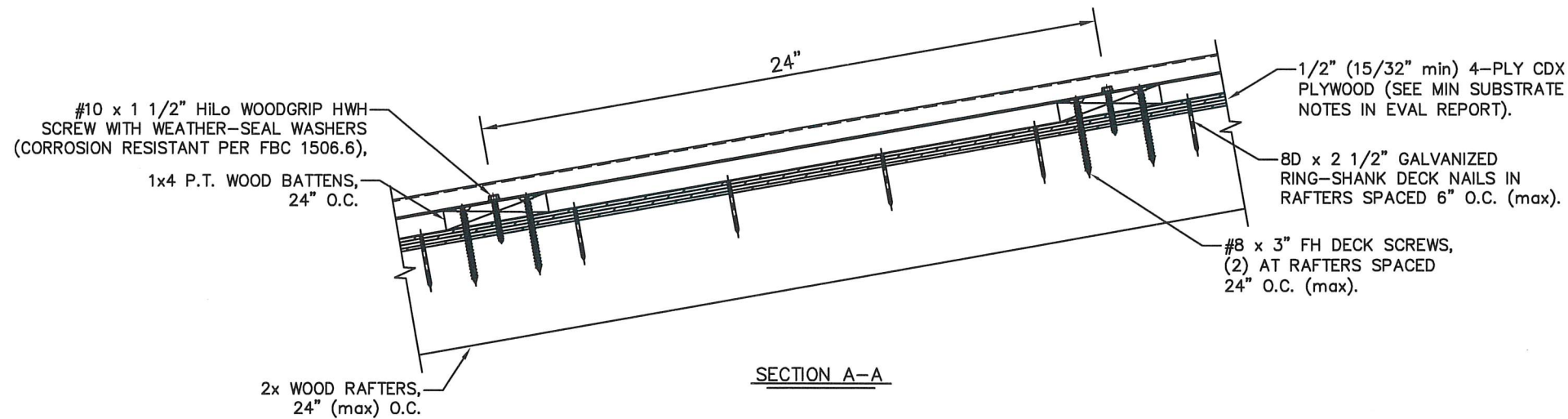
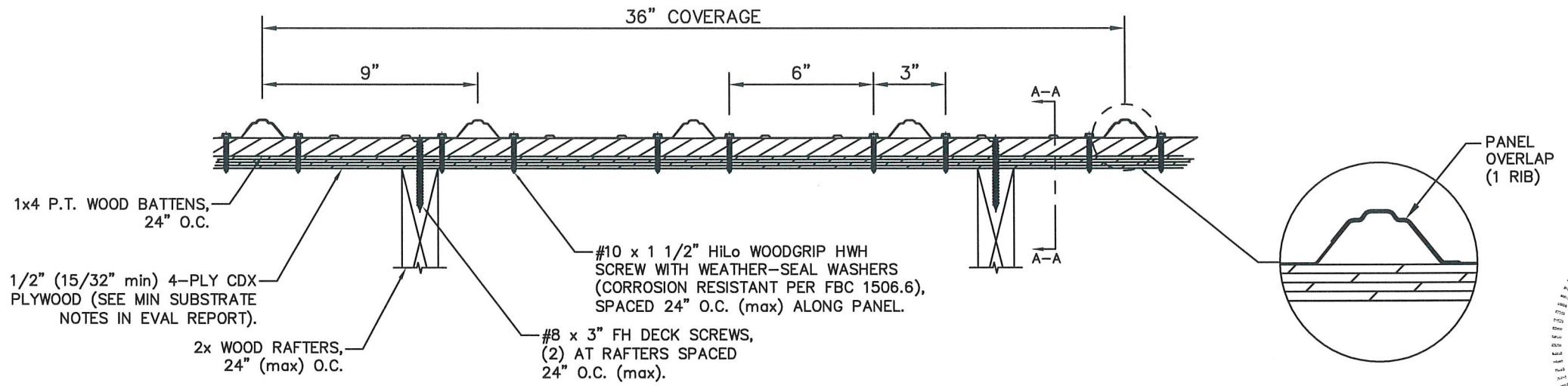
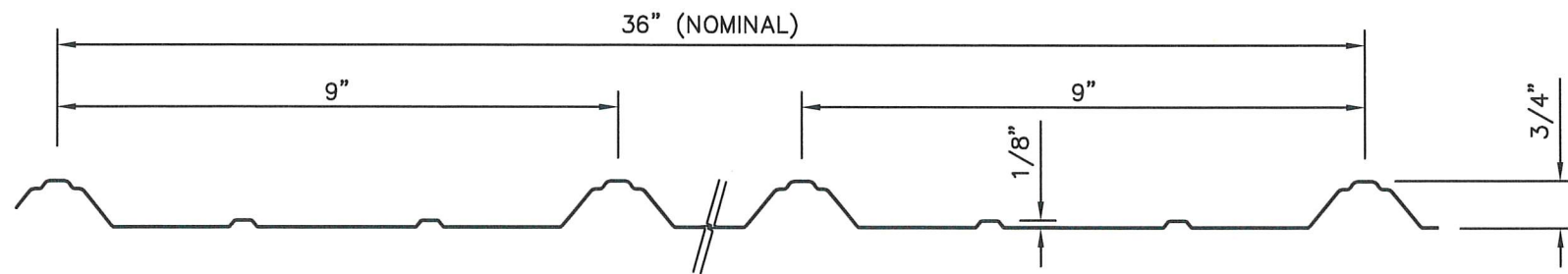


ARMOUR RIB 29 Ga. STEEL ROOF PANEL
36" WIDE, OVER 1x4 WOOD BATTENS



MAX DESIGN PRESSURE
 -183.5 Psf



GENERAL NOTES:

1. ROOF SLOPE IS LIMITED PER THE REQUIREMENTS OF FBC SECTION 1507.4.2.
2. DESIGN OF SUBSTRATE IS BY OTHERS AND NOT A PART OF THIS APPROVAL.
3. ALL PANEL SYSTEM PERIMETERS, PENETRATIONS, AND TRANSITIONS TO BE FLASHED AND SEALED PER THE REQUIREMENTS OF RAS 133.

10/11/23	DATE
8/5/22	REV#
2023 CODE UPDATE	PRINTS ISSUED FOR
1ST SUBMITTAL	FDR



SCOTT WALTERS
 FL PE# 62354
 WALTERS ENGINEERING
 (COA# 27194)
 15211 97TH ROAD N
 WEST PALM BEACH, FL 33412
 (561) 225-1982

1ST COAST METAL ROOFING SUPPLY

PH: (561) 629-7288
 www.1stcoastmrs.com

186 STATE ROAD 207
 EAST PALATKA, FL 32131



DWG: **1CSRWB6**
 SHEET: **1/1**