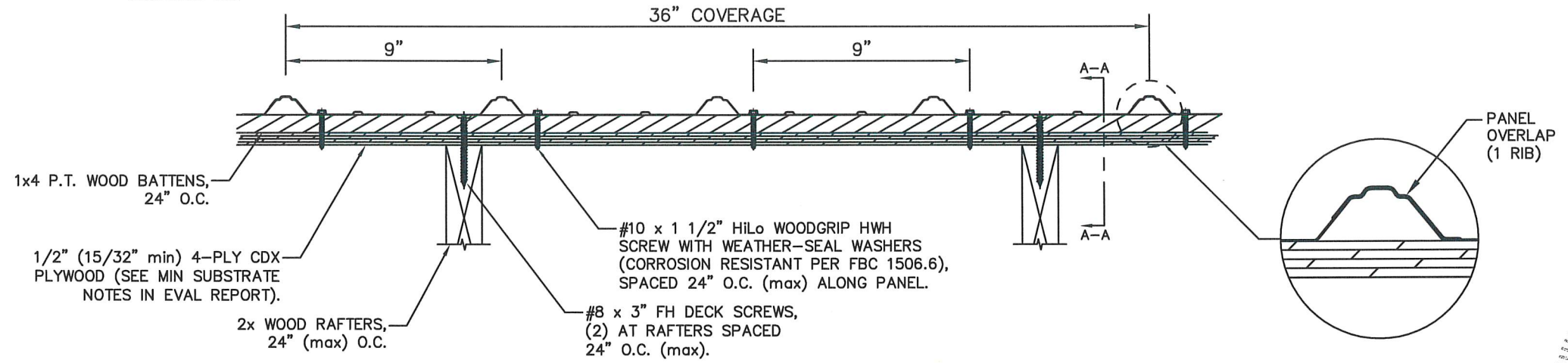
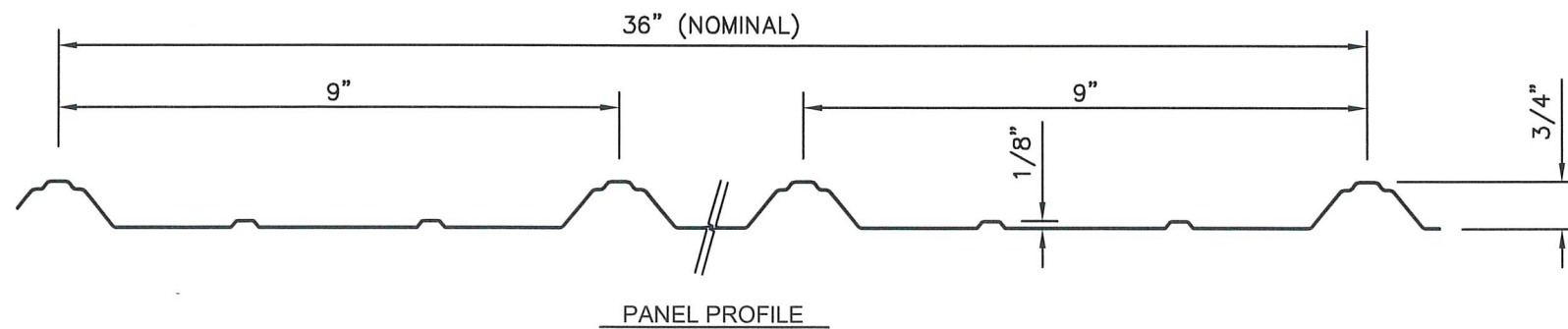
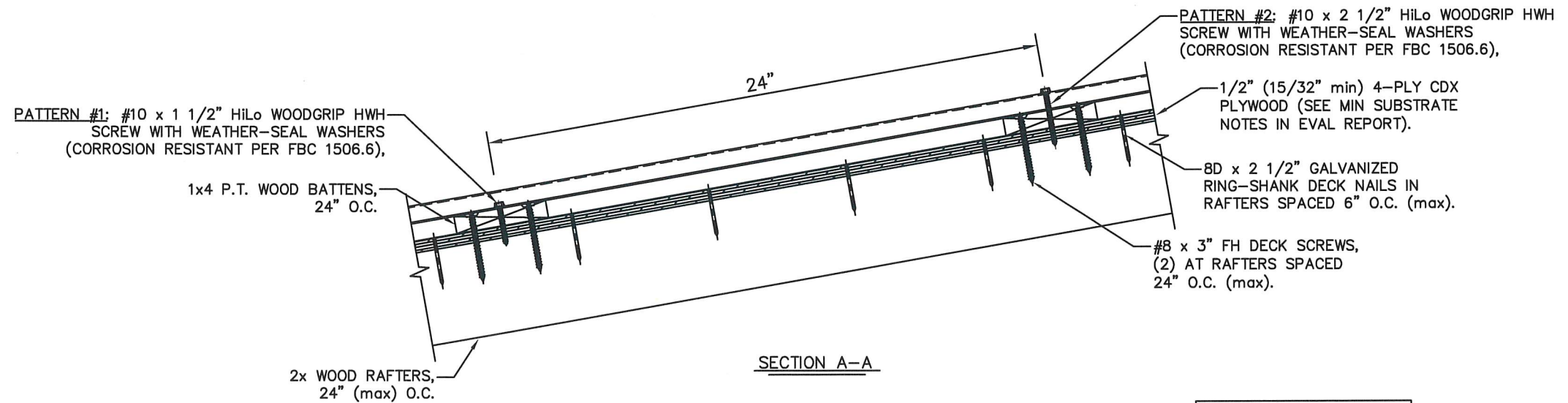
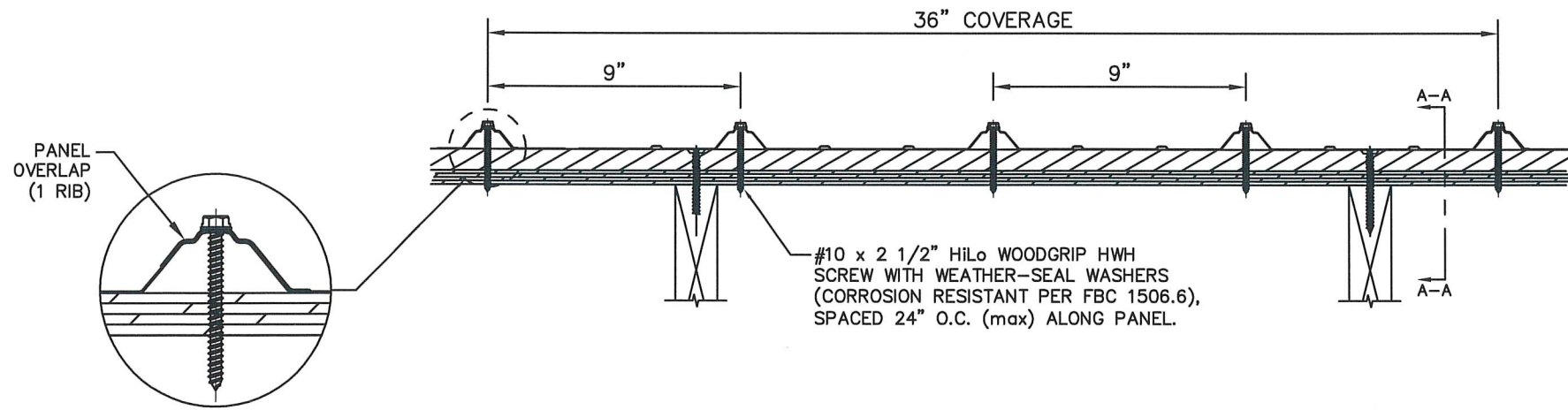


ARMOUR RIB 29 Ga. STEEL ROOF PANEL
36" WIDE, OVER 1x4 WOOD BATTENS

ANCHOR PATTERN #1:
 SPACED 24" O.C.



ANCHOR PATTERN #2:
 SPACED 24" O.C.



MAX DESIGN PRESSURE	
-108.5 Psf	(PATTERN #1)
-108.5 Psf	(PATTERN #2)

GENERAL NOTES:

1. ROOF SLOPE IS LIMITED PER THE REQUIREMENTS OF FBC SECTION 1507.4.2.
2. DESIGN OF SUBSTRATE IS BY OTHERS AND NOT A PART OF THIS APPROVAL.
3. ALL PANEL SYSTEM PERIMETERS, PENETRATIONS, AND TRANSITIONS TO BE FLASHED AND SEALED PER THE REQUIREMENTS OF RAS 133.

REV #	DATE	DESCRIPTION
1	10/11/23	2023 CODE UPDATE
2	10/18/22	2ND SUBMITTAL
3	8/5/22	1ST SUBMITTAL
4		PRINTS ISSUED FDR

SCOTT WOLTERS
 FL PE# 62354

WOLTERS ENGINEERING
 (COA# 27194)
 15211 97TH ROAD N
 WEST PALM BEACH, FL 33412
 (561) 225-1982

STATE OF FLORIDA
 PROFESSIONAL ENGINEER

1ST COAST METAL ROOFING SUPPLY

186 STATE ROAD 207
 EAST PALATKA, FL 32131
 PH: (561) 629-7288
 www.1stcoastmrs.com

1ST COAST METAL ROOFING SUPPLY
 DWG: **1CSRWB9**
 SHEET: **1/1**