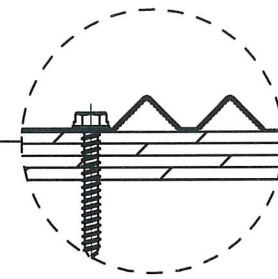
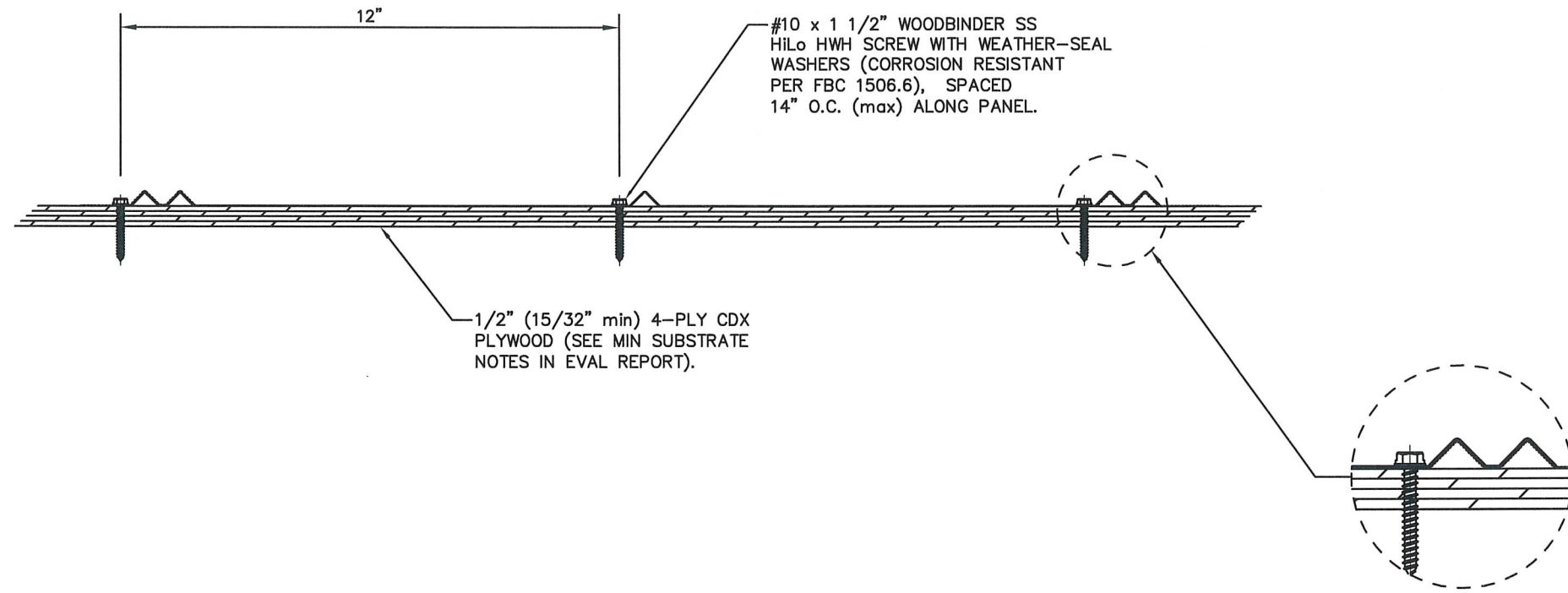
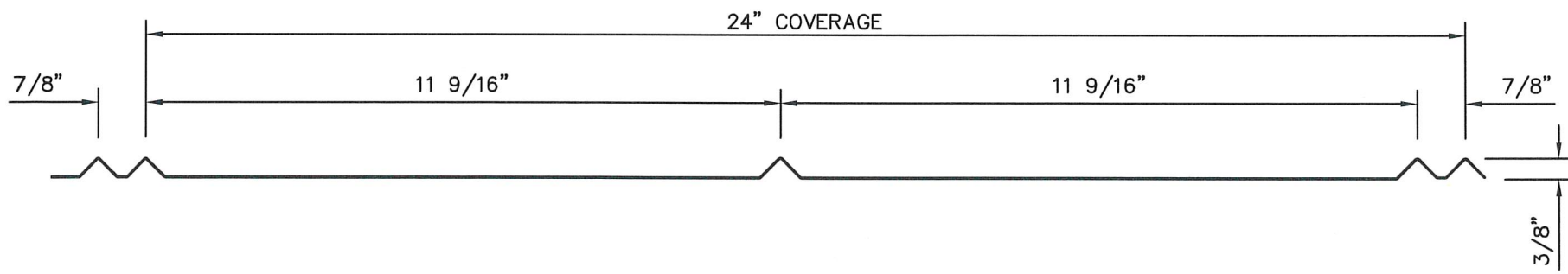


**0.032" ALUMINUM 5V CRIMP 24" WIDE  
ROOF PANELS OVER 1/2" PLYWOOD**



MAX DESIGN PRESSURE  
-71 Psf



PANEL PROFILE

GENERAL NOTES:

1. ROOF SLOPE IS LIMITED PER THE REQUIREMENTS OF FBC SECTION 1507.4.2.
2. DESIGN OF SUBSTRATE IS BY OTHERS AND NOT A PART OF THIS APPROVAL.
3. ALL PANEL SYSTEM PERIMETERS, PENETRATIONS, AND TRANSITIONS TO BE FLASHED AND SEALED PER THE REQUIREMENTS OF RAS 133.

SCOTT WOLTERS  
FL PE# 62354

WOLTERS ENGINEERING  
(COA# 27194)  
15211 97TH ROAD N  
WEST PALM BEACH, FL 33412  
(561) 225-1982

STATE OF FLORIDA  
OCT 11 2023  
PROFESSIONAL ENGINEER

REV #	ISSUED FOR	DATE
1	PRINTS	8/5/22
2	ISSUED FOR	10/11/23
3	2023 CODE UPDATE	10/11/23
4	1ST SUBMITTAL	8/5/22

**1ST COAST METAL ROOFING SUPPLY**

186 STATE ROAD 207  
EAST PALATKA, FL 32131  
PH: (561) 629-7288  
www.1stcoastmrs.com

DWG: **1CA5V1214**  
SHEET: **1/1**