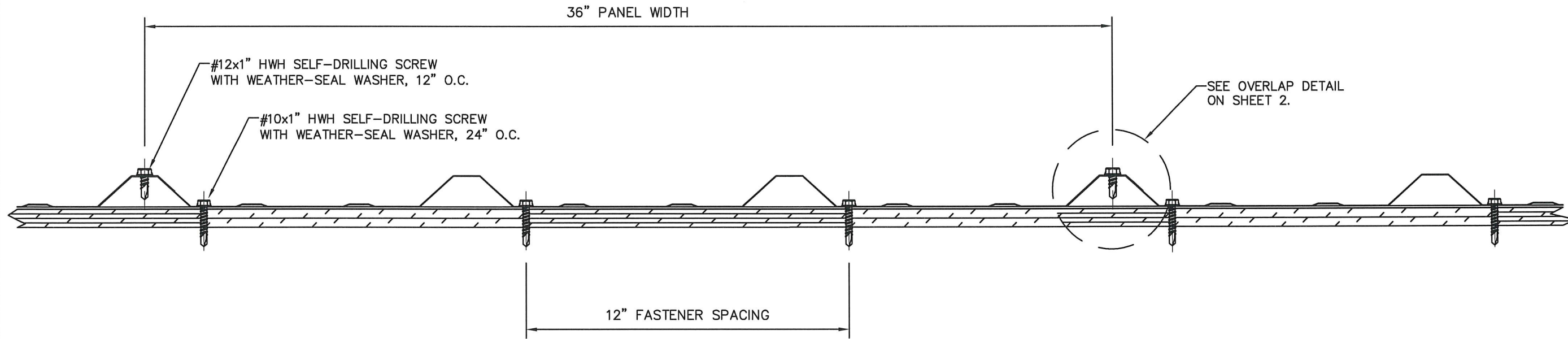


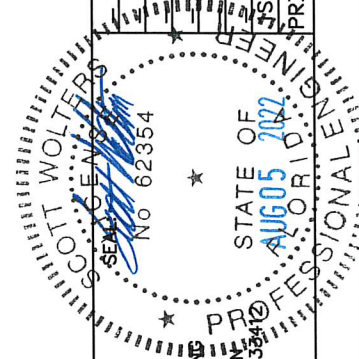
**ARMOUR 26 Ga. STEEL PBR PANEL
36" WIDE, OVER 1/2" CDX PLYWOOD**



MAX DESIGN PRESSURE
-63.5 Psf

GENERAL NOTES:

1. ROOF SLOPE IS LIMITED PER THE REQUIREMENTS OF FBC SECTION 1507.4.2.
2. DESIGN OF SUBSTRATE IS BY OTHERS AND NOT A PART OF THIS APPROVAL.
3. ALL PANEL SYSTEM PERIMETERS, PENETRATIONS, AND TRANSITIONS TO BE FLASHED AND SEALED PER THE REQUIREMENTS OF RAS 133.
4. SYSTEM MAY BE INSTALLED OVER EXISTING ROOFING, PROVIDED THE EXISTING ROOF MEETS ALL OF THE REQUIREMENTS OF FBC SECTION 1511 OR SECTION 1521.



SCOTT WALTERS
FL PE# 62354
WALTERS ENGINEERING
(COA# 27194)
15211 97TH ROAD N
WEST PALM BEACH, FL 33410
(561) 225-1982

1ST COAST METAL ROOFING SUPPLY

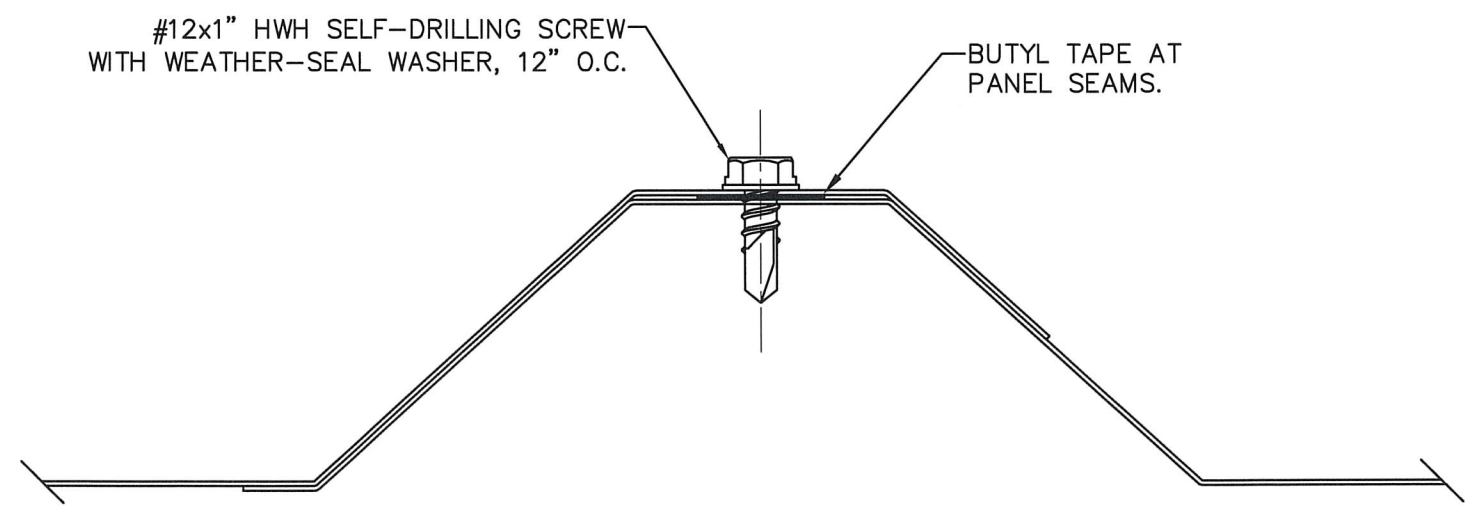
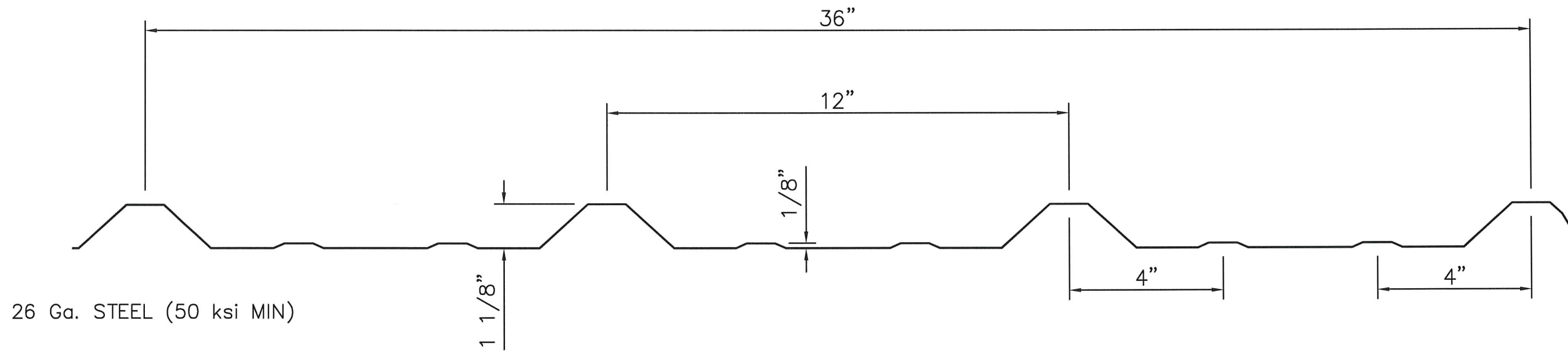
186 STATE ROAD 207
EAST PALATKA, FL 32131
PH: (561) 629-7288
www.1stcoastmrs.com



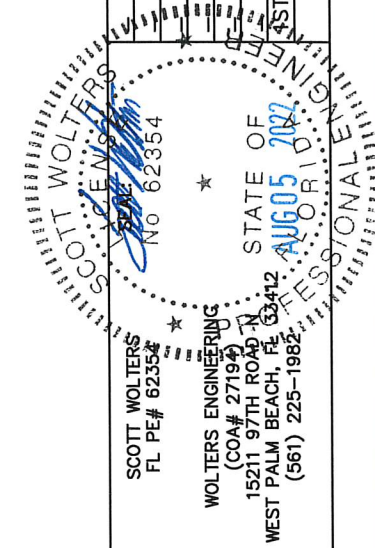
DWG: **1CSPBR**
SHEET: **1/2**

REV.#	DATE
1	8/5/22
2	
3	
4	
5	
6	
7	
8	
9	
10	

ARMOUR 26 Ga. STEEL PBR PANEL
36" WIDE, OVER 1/2" CDX PLYWOOD



OVERLAP DETAIL
 (1 RIB)



1ST COAST METAL ROOFING SUPPLY

186 STATE ROAD 207
 EAST PALATKA, FL 32131

PH: (561) 629-7288
 www.1stcoastmrs.com

1ST COAST
 METAL ROOFING SUPPLY

DWG: **1CPBR**

SHEET: **2/2**

REV.#	DATE
1	12/21/20
2	
3	
4	
5	
6	
7	
8	
9	
10	

PRINTS ISSUED FOR