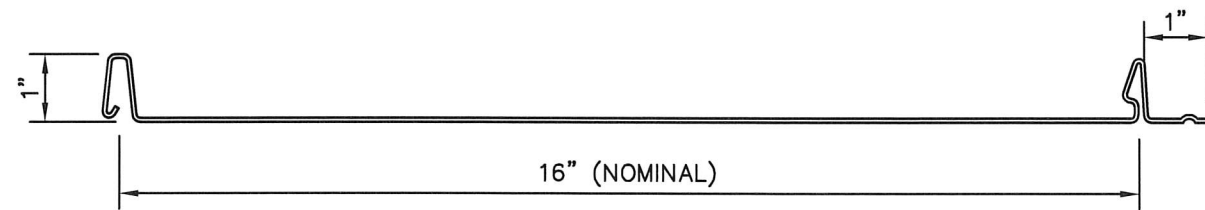
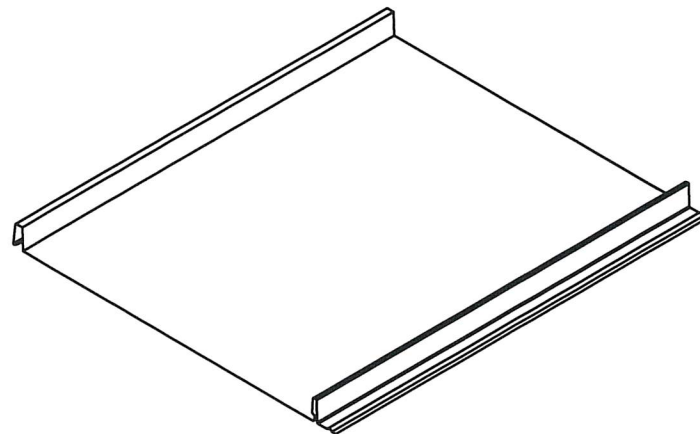
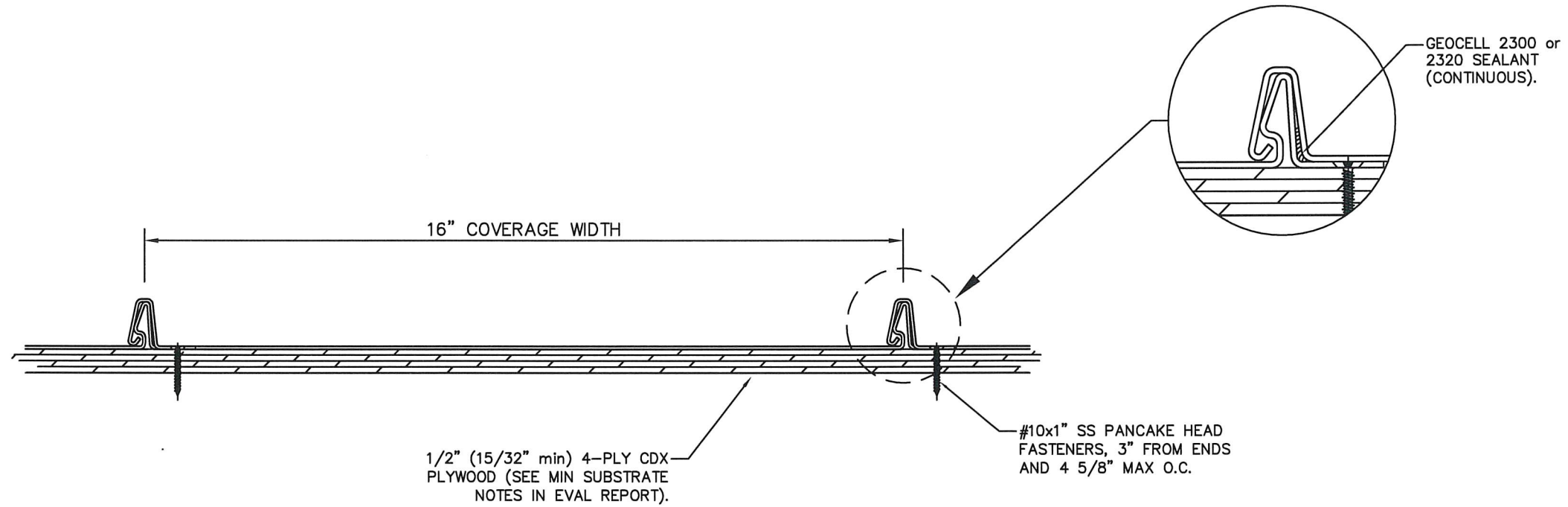


**ARMOUR LOC 0.032" ALUMINUM 1" NAILSTRIP
16" WIDE ROOF PANELS OVER 1/2" CDX PLYWOOD**



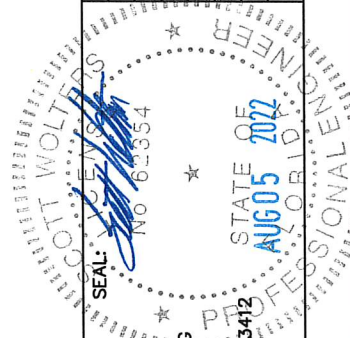
PANEL PROFILE

MAX DESIGN PRESSURE
-52.5 Psf

GENERAL NOTES:

1. ROOF SLOPE IS LIMITED PER THE REQUIREMENTS OF FBC SECTION 1507.4.2.
2. DESIGN OF SUBSTRATE IS BY OTHERS AND NOT A PART OF THIS APPROVAL.
3. ALL PANEL SYSTEM PERIMETERS, PENETRATIONS, AND TRANSITIONS TO BE FLASHED AND SEALED PER THE REQUIREMENTS OF RAS 133.

DATE	8/5/22
REV#	
ISSUED FOR	PRINTS
REV#	
ISSUED FOR	1ST SUBMITTAL



SCOTT WOLTERS
FL PE# 62354

WOLTERS ENGINEERING
(COA# 27194)
15211 97TH ROAD N
WEST PALM BEACH, FL 33412
(561) 225-1982

1ST COAST METAL ROOFING SUPPLY

PH: (561) 629-7288
www.1stcoastmrs.com

186 STATE ROAD 207
EAST PALATKA, FL 32131

DWG: **1CANS16**

SHEET: **1/1**