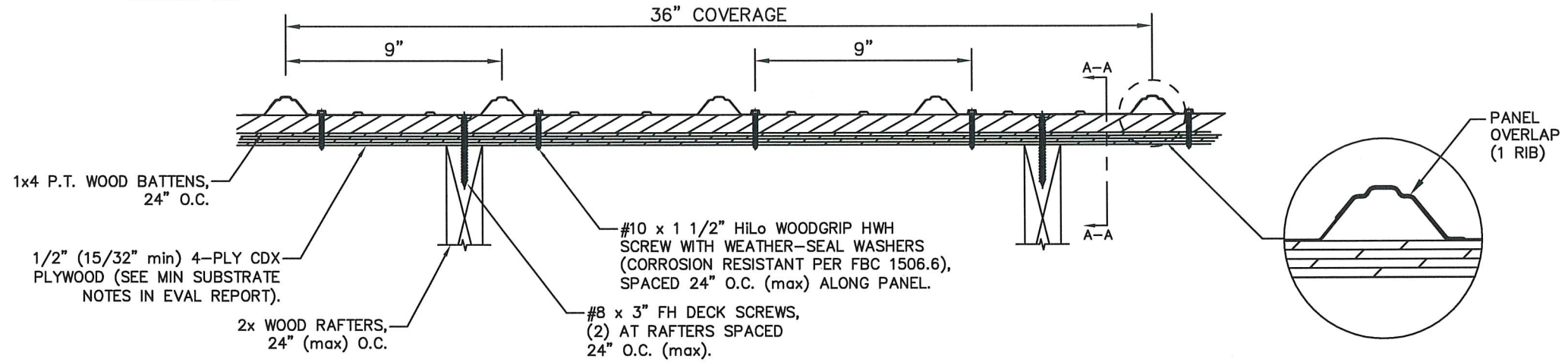
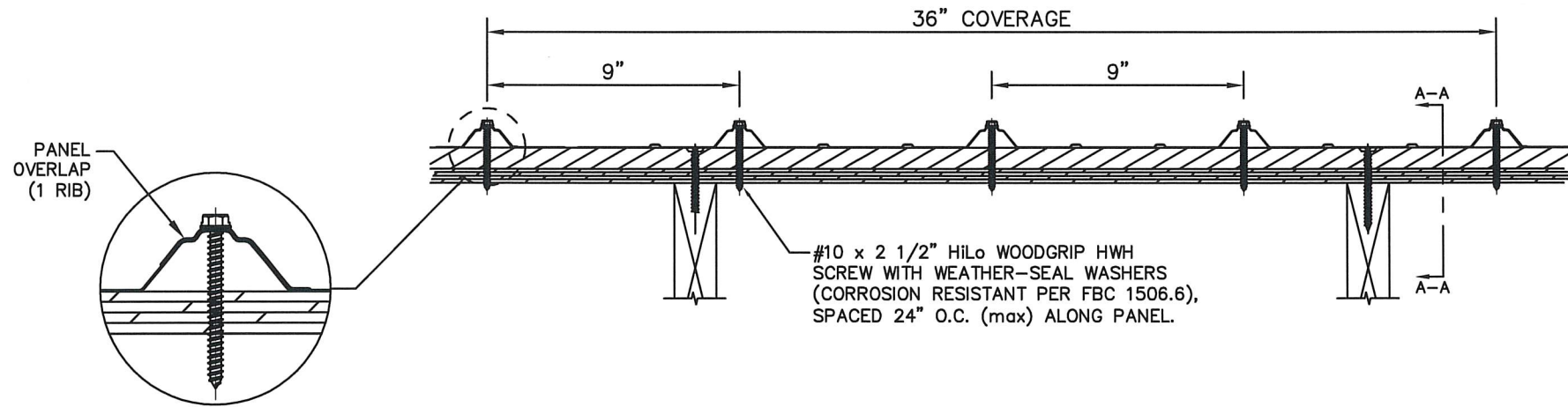


ARMOUR RIB 29 Ga. STEEL ROOF PANEL
36" WIDE, OVER 1x4 WOOD BATTENS

ANCHOR PATTERN #1:
 SPACED 24" O.C.



ANCHOR PATTERN #2:
 SPACED 24" O.C.



PATTERN #1: #10 x 1 1/2" HiLo WOODGRIP HWH
 SCREW WITH WEATHER-SEAL WASHERS
 (CORROSION RESISTANT PER FBC 1506.6),

1x4 P.T. WOOD BATTENS,
 24" O.C.

2x WOOD RAFTERS,
 24" (max) O.C.

PATTERN #2: #10 x 2 1/2" HiLo WOODGRIP HWH
 SCREW WITH WEATHER-SEAL WASHERS
 (CORROSION RESISTANT PER FBC 1506.6),

1/2" (15/32" min) 4-PLY CDX
 PLYWOOD (SEE MIN SUBSTRATE
 NOTES IN EVAL REPORT).

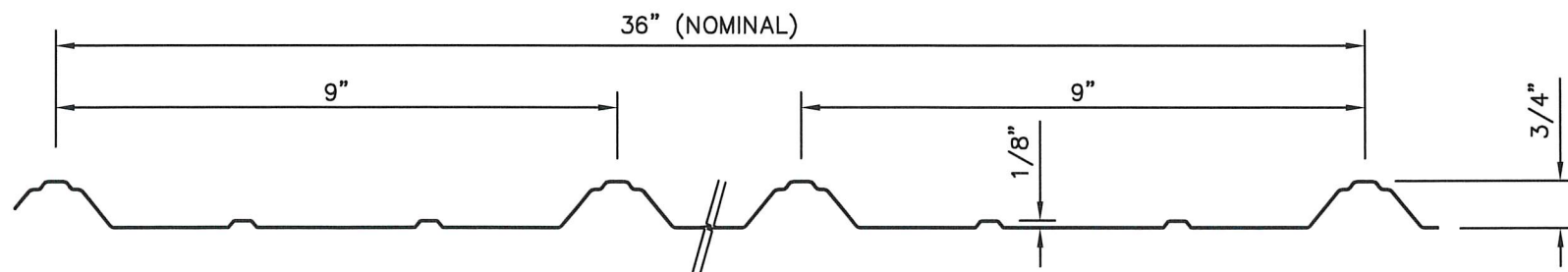
8D x 2 1/2" GALVANIZED
 RING-SHANK DECK NAILS IN
 RAFTERS SPACED 6" O.C. (max).

#8 x 3" FH DECK SCREWS,
 (2) AT RAFTERS SPACED
 24" O.C. (max).

SECTION A-A

MAX DESIGN PRESSURE

-108.5 Psf (PATTERN #1)
 -108.5 Psf (PATTERN #2)



PANEL PROFILE

GENERAL NOTES:

1. ROOF SLOPE IS LIMITED PER THE REQUIREMENTS OF FBC SECTION 1507.4.2.
2. DESIGN OF SUBSTRATE IS BY OTHERS AND NOT A PART OF THIS APPROVAL.
3. ALL PANEL SYSTEM PERIMETERS, PENETRATIONS, AND TRANSITIONS TO BE FLASHED AND SEALED PER THE REQUIREMENTS OF RAS 133.

10/18/22	DATE
8/5/22	REV.#
PRINTS ISSUED FOR	
2ND SUBMITTAL	
1ST SUBMITTAL	

SCOTT WOLTERS
 SEAL # 62354
 No. 62354
 STATE OF FLORIDA
 PROFESSIONAL ENGINEER
 09118 2012

SCOTT WOLTERS
 FL PE# 62354
 WOLTERS ENGINEERING
 (COA# 27194)
 15211 97TH ROAD
 WEST PALM BEACH, FL 33413
 (561) 225-1982

1ST COAST METAL ROOFING SUPPLY

PH: (561) 629-7288
 www.1stcoastmrs.com

186 STATE ROAD 207
 EAST PALATKA, FL 32131

1ST COAST METAL ROOFING SUPPLY
 DWG: **1CSRWB9**
 SHEET: **1/1**