



Metal Roof Certification & Listing Program Certification Report



11030-008-KCI

145 Limekiln Road, Suite 100B
New Cumberland, PA 17070
www.keystonecerts.com

Issue Dated: 8/24/2018
Revision Date: 8/24/2018
Expiration Date: 8/24/2023

Construction Specifications Institute (CSI) Category:

Division: 07 00 00 – Thermal & Moisture Protection
Section: 07 41 13 – Metal Roof Panels

1. Program Licensee:



1st Coast Metal Roofing Supply
186 SR 207
East Palatka, FL 32131
386-325-0242
<http://www.1stcoastmrs.com/>

- 2017 Florida Building Code - Building, 6th Edition, Section 1504.3.2.
- Florida Product Approval Rule 61G20-3.

Properties Evaluated:

- Wind Uplift Resistance

This Certification Report was used to qualify Florida Product Approval FL 24397.

2. Certified Roof Covering:

1st Coast Metal Roofing Supply's Model Armour Loc 0.032" thick aluminum non-structural nailstrip standing seam metal roof panels installed over plywood sheathing roof deck for use in new construction and re-roofing applications.

3. Scope of Certification:

This Certification Report provides technical data substantiating that the use of the certified roof covering and the evaluated roof systems are in compliance with the following:

4. Evaluated Roof System Description:

- Roof Covering:** Armour Loc aluminum metal roof panels are cold roll-formed from minimum 0.032" thick ASTM B209 aluminum. The panels shall be installed in accordance with the manufacturer's instructions and this Certification Report.
- Roof Deck:** Armour Loc 0.032" thick aluminum metal roof panels are certified for use over solid or closely-spaced, minimum 15/32" thick 4 ply CDX plywood sheathing complying with 2017 Florida Building Code, Section 2303.1.5, with a minimum slope of 2% (1/4:12).
- Anchorage:** Armour Loc 0.032" thick aluminum metal roof panels shall be fastened to the roof deck using one row of #10 x 1" pancake-head wood screws through the nailstrip at 2-1/2" from each end, then spaced maximum 4-5/8" OC as specified in Table 1 and illustrated in Appendix 1.



Metal Roof Certification & Listing Program
Certification Report
 11030-008-KCI



5. Installation

Armour Loc 0.032” thick aluminum metal roof panels in new construction applications shall be installed in accordance with the 2017 Florida Building Code Section 1507.4, the manufacturer’s published installation instructions and this Certification Report.

Armour Loc 0.032” thick aluminum metal roof panels in re-roofing applications shall be installed in accordance with the 2017 Florida Building Code Sections 1507.4 & 1511, the manufacturer’s published installation instructions and this Certification Report.

The manufacturer’s installation instructions shall be made available at the time of installation. If there are differences between this report and the manufacturer’s installation instructions, this report shall take precedence.

6. Product Performance

The performance of the Armour Loc 0.032” thick aluminum metal roof panels described in this Certification Report has been determined in accordance with:

- UL 580-06, *Tests for Uplift Resistance of Roof Assemblies.*

As tested & reported by the following independent accredited laboratory:

Laboratory	Report Ref.
Intertek	I4535.01-450-44 R2

6.1. Wind Resistance

The allowable design uplift pressures for Armour Loc 0.032” thick aluminum anchored as illustrated in Appendix 1, when tested in accordance with the referenced standards with an applied safety factor of 2.0 are found in Table 1.

Table 1

Description	Anchor Pattern	Anchor Description	Max Design Uplift Pressure
Over 15/32” 4 Ply Plywood Sheathing	At 2-1/2” From Each End and max. 4- 5/8” O.C.	#10 x 1” Stainless Steel Panhead	52.5 psf

7. Conditions of Use

Armour Loc 0.032” thick aluminum metal roof panels must be insulated against other materials or metals including non-stainless steel, concrete, lead, copper and treated lumber that contains corrosive materials.

8. Limitations of Use

Armour Loc 0.032” thick aluminum metal roof panels are not qualified for use in the High Velocity Hurricane Zone (HVHZ).

Fire classification, shear diaphragm design, roof deck design & attachment to supporting members are not within the scope of this Certification Report.

Roof support framing shall comply with 2017 Florida Building Code Chapter 22 for steel, Chapter 23 for wood and Chapter 16 for structural loading.



Metal Roof Certification & Listing Program
Certification Report
11030-008-KCI



9. Licensed Manufacturing Facilities

This Certification Report is applicable only to Armour Loc 0.032” thick aluminum nailstrip standing seam metal roof panels manufactured at the following locations:

1st Coast Metal Roofing Supply
186 State Rd 207
East Palatka, Florida 32131

Aaron Shultz
Validations Manager

Each licensed facility is subject to periodic inspection by Keystone Certifications to verify conformance with Keystone Roof Covering Certification & Listing Program requirements.

10. Identification

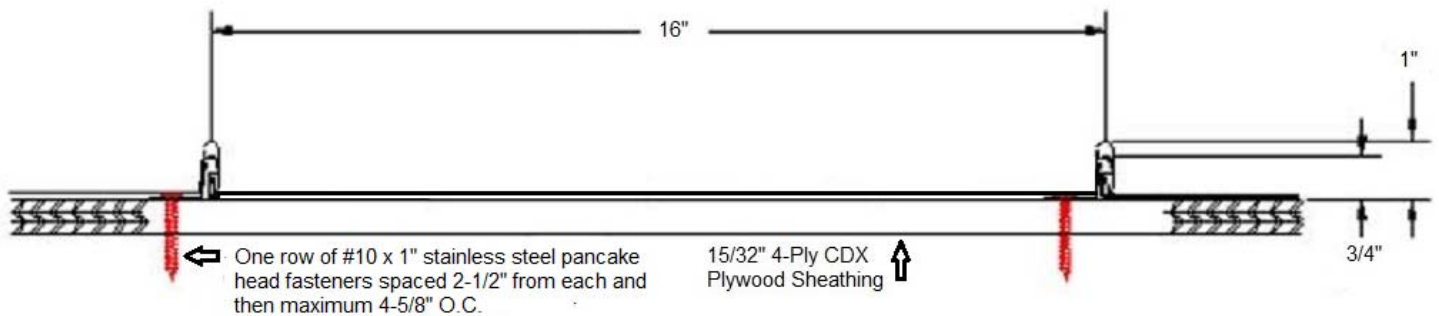
Armour Loc 0.032” thick aluminum metal roof panels represented by this report shall be identified with Keystone Roof Covering Certification & Listing Program certification labeling illustrated below, to be applied to individual panels, packaging, invoicing or bills of lading:



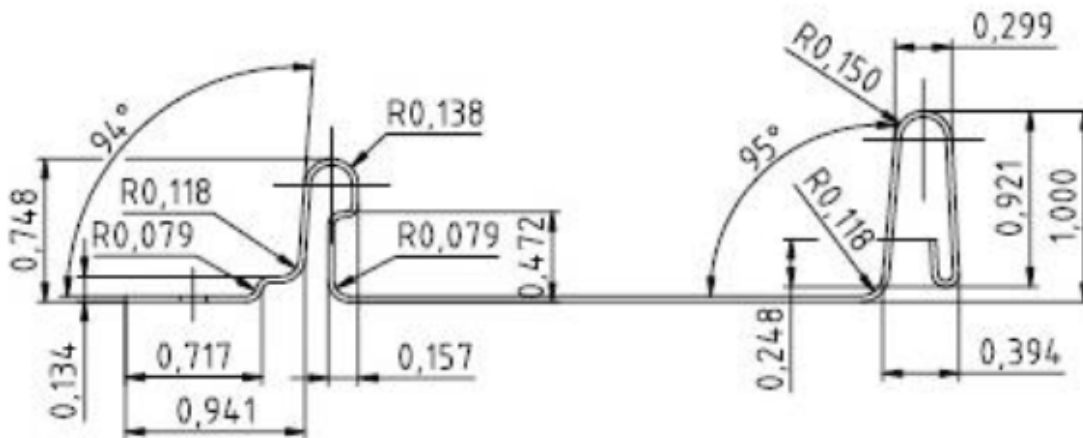
Appendix 1

Anchorage Detail

Notes: In all cases (new construction and re-roofing), the anchors shall fully penetrate the plywood roof deck. A continuous bead of lap sealant shall be used at the bottom of the male leg on the nailstrip side.



Panel Detail





Metal Roof Certification & Listing Program

Certification Report

11030-008-KCI



145 Limekiln Road, Suite 100B
New Cumberland, PA 17070
www.keystonecerts.com

Issue Dated: 8/24/2018
Revision Date: 8/24/2018
Expiration Date: 8/24/2023

Certificate Revisions

Rev #	Date	Description
0		Initial issuance.