



# Metal Roof Certification & Listing Program Certification Report



11030-006-KCI

145 Limekiln Road, Suite 100B  
New Cumberland, PA 17070  
[www.keystonecerts.com](http://www.keystonecerts.com)

Issue Dated: 6/20/2018  
Revision Date: 6/20/2018  
Expiration Date: 6/20/2023

## Construction Specifications Institute (CSI) Category:

**Division:** 07 00 00 – Thermal & Moisture Protection

**Section:** 07 41 13 – Metal Roof Panels

## 1. Program Licensee:



1st Coast Metal Roofing Supply  
186 SR 207  
East Palatka, FL 32131  
386-325-0242  
<http://www.1stcoastmrs.com/>

## 2. Certified Roof Covering:

1<sup>st</sup> Coast Metal Roofing Supply's Model Armour 5-V Crimp 0.032" aluminum non-structural through-fastened metal roof panels installed over plywood sheathing roof deck for use in new construction, re-roofing and re-covering applications.

## 3. Scope of Certification:

This Certification Report provides technical data substantiating that the use of the certified roof covering and the evaluated roof systems are in compliance with the following:

- 2017 Florida Building Code - Building, 6th Edition, Section 1504.3.2.
- Florida Product Approval Rule 61G20-3.

Properties Evaluated:

- Wind Uplift Resistance

**This Certification Report was used to qualify Florida Product Approval FL 24397.**

## 4. Evaluated Roof System Description:

4.1. **Roof Covering:** Armour 5-V Crimp 0.032" aluminum roof panels are cold roll-formed from ASTM B209 minimum 0.032" thick aluminum corrosion-resistant coiled sheet. The panels shall be installed in accordance with the manufacturer's instructions and this Certification Report.

4.2. **Roof Deck:** Armour 5-V Crimp 0.032" aluminum roof panels are certified for use over solid or closely-spaced, nominal 15/32" B-C 4 Ply Plywood sheathing complying with 2017 Florida Building Code, Section 2303.1.5, with a minimum slope of 4% (1/2:12). Lap sealant shall be applied for installed slopes less than 25% (3:12).

4.3. **Anchorage:** Armour 5-V Crimp 0.032" aluminum roof panels shall be through-fastened to the roof deck using ST Fastening Systems SS Wood Binder HiLo HWH #10 x 1-1/2" stainless steel wood screws with bonded washer, or equivalent, as specified in Table 1, applied in the pattern illustrated in Appendix 1.



**Metal Roof Certification & Listing Program**  
**Certification Report**  
 11030-006-KCI



**5. Installation**

Armour 5-V Crimp 0.032" aluminum roof panels in new construction applications shall be installed in accordance with the 2017 Florida Building Code Section 1507.4, the manufacturer's published installation instructions and this Certification Report.

Armour 5-V Crimp 0.032" aluminum roof panels in re-roofing applications shall be installed in accordance with the 2017 Florida Building Code Sections 1507.4 & 1511, the manufacturer's published installation instructions and this Certification Report.

The manufacturer's installation instructions shall be made available at the time of installation. If there are differences between this report and the manufacturer's installation instructions, this report shall take precedence.

**6. Product Performance**

The performance of the Armour 5-V Crimp 0.032" aluminum roof panels described in this Certification Report has been determined in accordance with:

- UL 580-06, *Tests for Uplift Resistance of Roof Assemblies.*

As tested & reported by the following independent accredited laboratory:

Laboratory	Report Ref.
Intertek	I2151.01-450-44-R01

**6.1. Wind Resistance**

The allowable design uplift pressures for Armour 5-V Crimp 0.032" aluminum roof panels anchored as illustrated in Appendix 1, when tested in accordance with the referenced standards with an applied safety factor of 2.0 are found in Table 1.

**Table 1**

Description	Anchor Pattern	Anchor Man'f & Model	Max Design Uplift Pressure
Over 15/32" 4 Ply Plywood	Anchor Rows 11- 1/2" O.C. Anchors 14" O.C.	ST Fastening Systems SS Wood Binder HiLo HWH #10 x 1-1/2"	<b>71.0 psf</b>

**7. Conditions of Use**

Armour 5-V Crimp 0.032" aluminum roof panels must be insulated against other materials or metals including galvanized fasteners, steel, lead, copper and treated lumber that contains corrosive materials.

**8. Limitations of Use**

Armour 5-V Crimp 0.032" aluminum roof panels are not qualified for use in the High Velocity Hurricane Zone (HVHZ).

Fire classification, shear diaphragm design, roof deck design & attachment to supporting members are not within the scope of this Certification Report.

Roof support framing shall comply with 2017 Florida Building Code Chapter 22 for steel, Chapter 23 for wood and Chapter 16 for structural loading.



Metal Roof Certification & Listing Program  
Certification Report  
11030-006-KCI



**9. Licensed Manufacturing Facilities**

This Certification Report is applicable only to Armour 5-V Crimp 0.032” aluminum roof panels manufactured at the following locations:

1st Coast Metal Roofing Supply  
186 State Rd 207  
East Palatka, Florida 32131

Each licensed facility is subject to periodic inspection by Keystone Certifications to verify conformance with Keystone Roof Covering Certification & Listing Program requirements.

Aaron Shultz  
Validations Manager

**10. Identification**

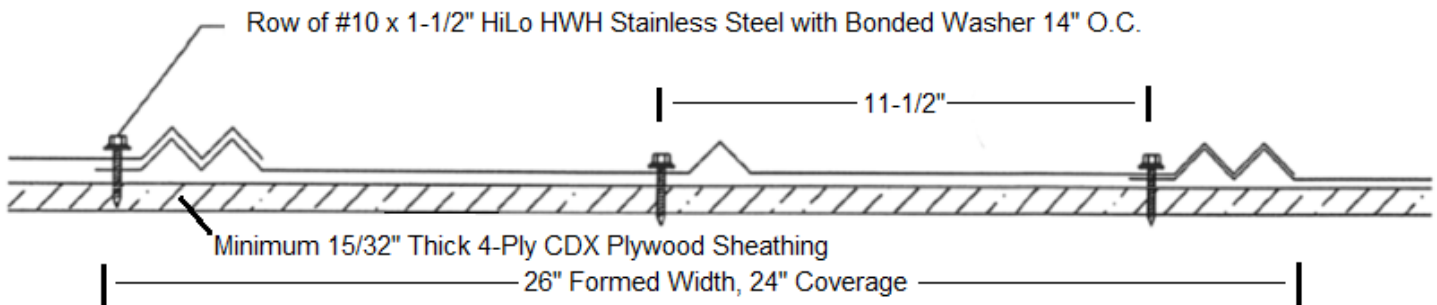
Armour 5-V Crimp 0.032” aluminum roof panels represented by this report shall be identified with Keystone Roof Covering Certification & Listing Program certification labeling illustrated below, to be applied to individual panels, packaging, invoicing or bills of lading:



## Appendix 1

Notes: In all cases (new construction, re-roofing & re-covering), the anchors shall fully penetrate the plywood roof deck (as applicable). Lap sealant shall be applied for installed slopes less than 25% (3:12).

### Anchorage Detail





# Metal Roof Certification & Listing Program

## Certification Report

11030-006-KCI



145 Limekiln Road, Suite 100B  
New Cumberland, PA 17070  
[www.keystonecerts.com](http://www.keystonecerts.com)

Issue Dated: 6/20/2018  
Revision Date: 6/20/2018  
Expiration Date: 6/20/2023

### Certificate Revisions

Rev #	Date	Description
0	6/20/2018	Initial issuance.