

MODEL DESIGNATION:

Simonton Series 07-07 Center Hinge Outswing Impact Garden Door

MAXIMUM OVERALL NOMINAL SIZE:

Single up to 71" x 80"

DESIGN PRESSURE RATING:

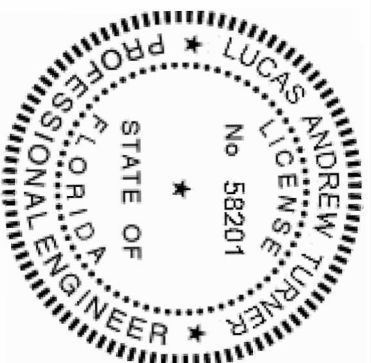
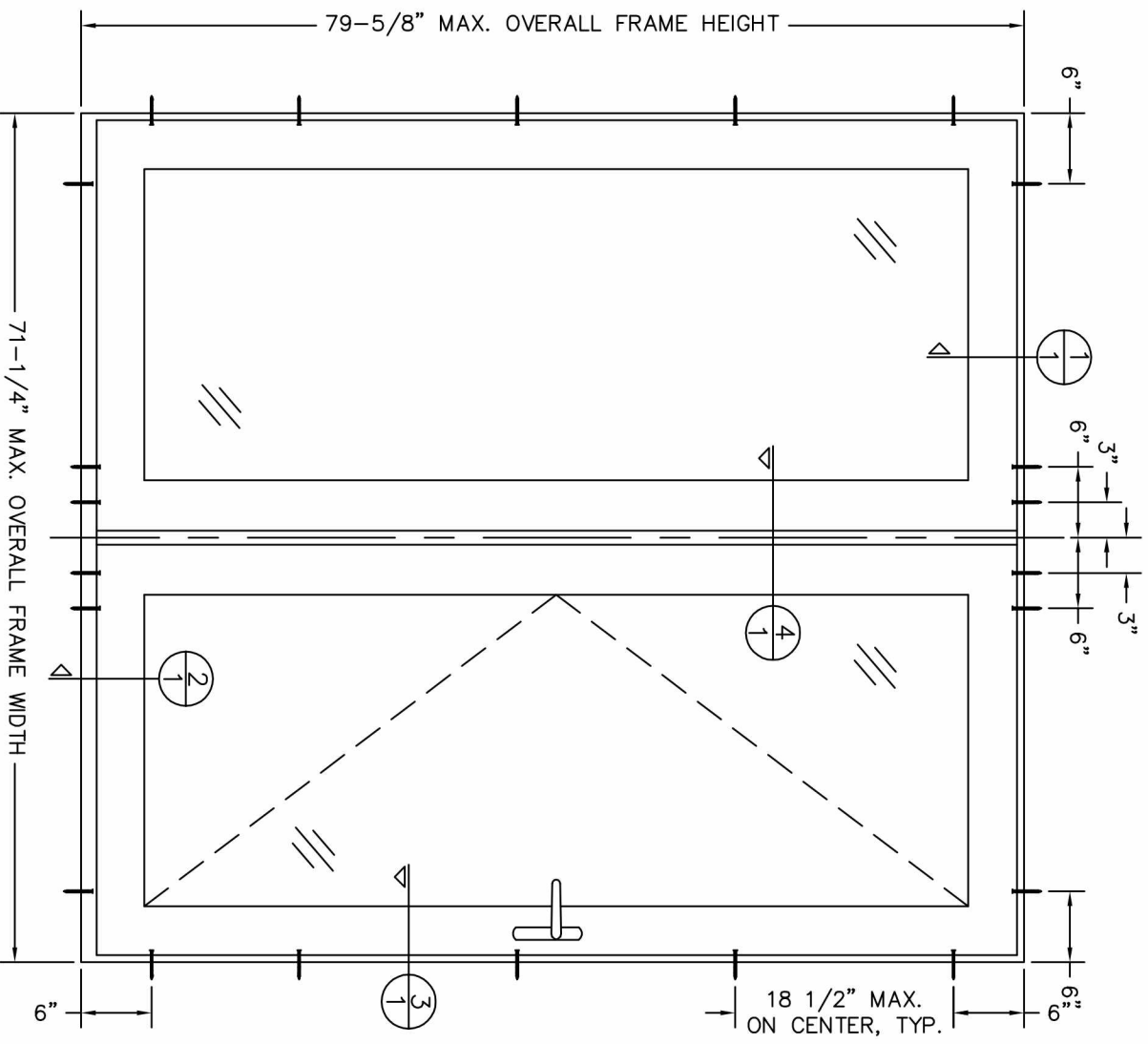
Positive: 50.0 PSF
Negative: 50.0 PSF

USABLE CONFIGURATIONS:

OX, XO

GENERAL DESCRIPTION:

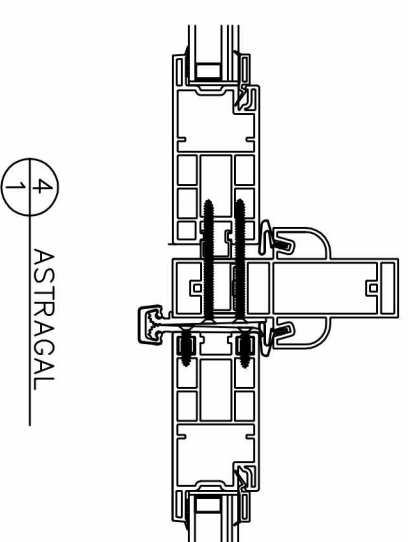
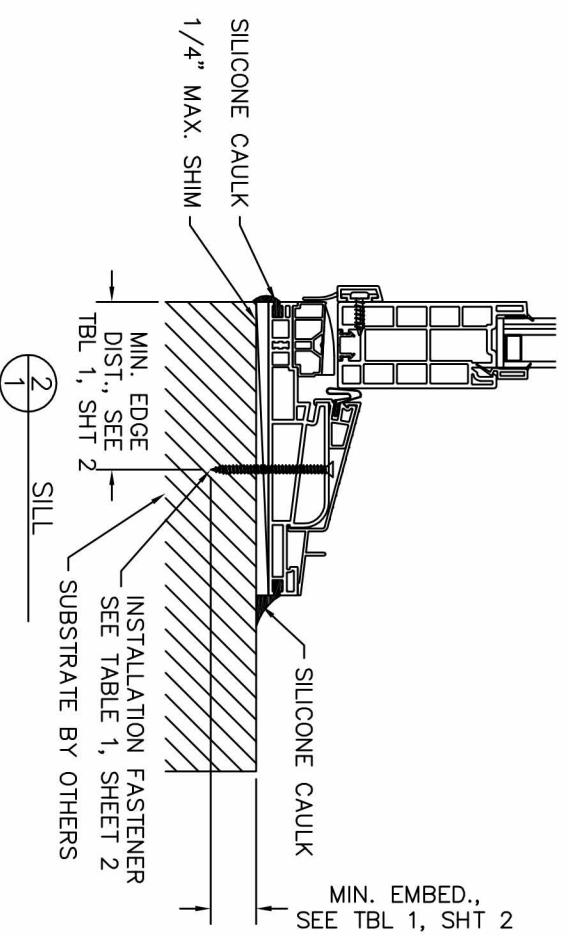
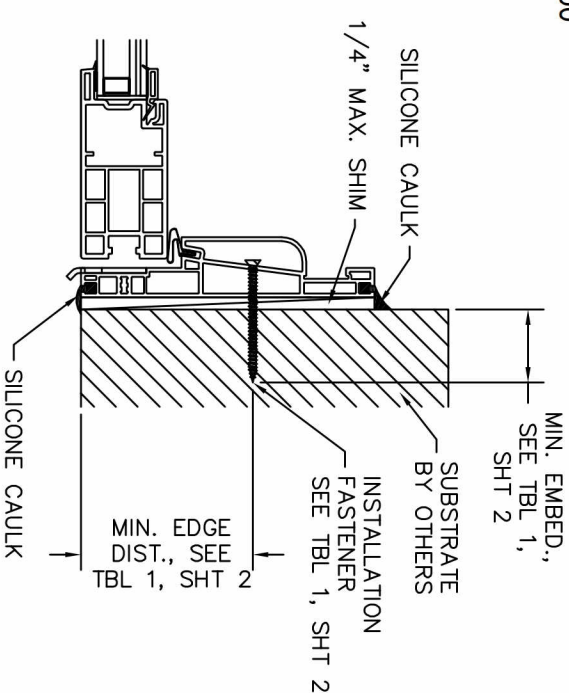
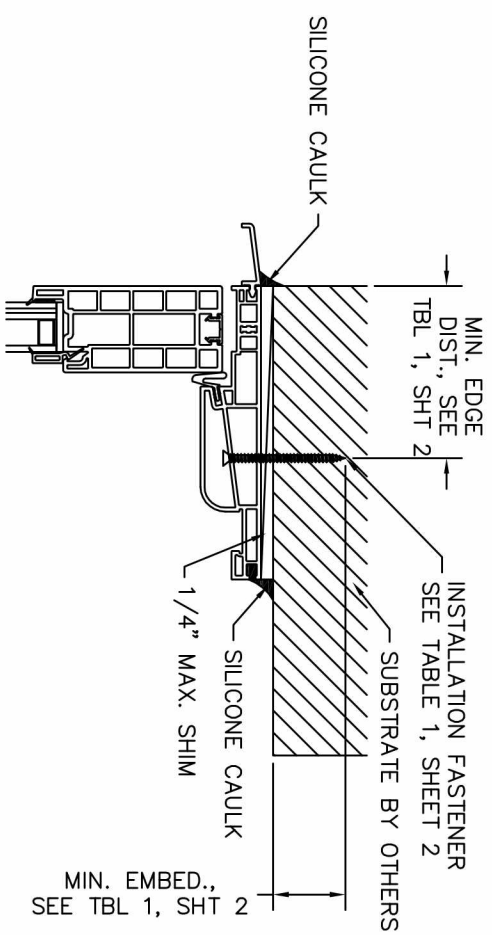
The head, sill, and side jambs are extruded PVC. The wall thickness through which the anchor screw penetrates is a minimum of 0.070".



9/9/2014
LUCAS A. TURNER, P.E.
FL PE # 58201
TURNER ENGINEERING & CONSULTING, INC.
(COA # 29779)
1239 JABARA AVE.
NORTH PORT, FL 34288
PH: 941-380-1574

Lucas A. Turner
2014-09-09 14:21-04:00

REV. #	REVISIONS:	REVISED BY:	DATE:
1	UPDATED PER TEST REPORT 69900.01.	T.D.D.	04/30/09
2	ADDED GLAZING DETAILS AND FLASHING NOTE.	T.D.D.	03/01/11
3	UPDATED ANCHOR LOCATIONS PER NEW TESTING.	T.D.D.	04/12/11
4	UPDATED GLAZING DETAILS.	T.D.D.	04/29/11
5	ADDED ASTRAGAL AND PARTS LIST.	T.D.D.	03/20/13
6	UPDATED FOR MULTIPLE SUBSTRATE TYPES	L.A.T.	09/06/14



DISCLOSURE STATEMENT

This document is the property of Simonton Windows, which retains all proprietary and other rights to its subject matter. This document is provided to the recipient on the expressed condition that it is not to be disclosed, reproduced in whole or part, nor used in conjunction with the design, manufacture or repair of goods for anyone other than Simonton Windows without its consent. This restriction does not limit the recipient's rights to utilize information contained in this document which is properly obtained from another source.

MATERIAL:

RMS FINISH:
ALLOY & TEMPER:
WEIGHT:
SURFACE AREA:
FINISH TREATMENT:

EXCEPT AS NOTED

VOLUME:
PERIMETER:

Dimensional Tolerances Unless Otherwise Specified

Decimals
Angles
X ± .03
.XX ± .01
.XXX ± .005



W I N D O W S
1 Cochran Avenue
Pembroke, WV 26415

SIZE: DRAWING NO.: REV:
B IN0370 6

DRAWN BY: DATE:
T.D.D. 11/14/08

CHECKED BY: DATE:

SCALE: SHEET: APPRVD BY: DATE:
FIT 1 of 2

SERIES: 07-07 CENTER HINGE OUTSWING IMPACT GARDEN DOOR

TITLE: ELEVATION, INSTALLATION DETAILS

FILE: IN0370

MODEL DESIGNATION: Simonton Series 07-07 Center Hinge Outswing Impact Garden Door

MAXIMUM OVERALL NOMINAL SIZE: Single up to 71" x 80"

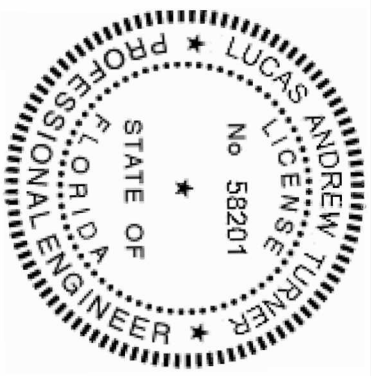
DESIGN PRESSURE RATING: Positive: 50.0 PSF
Negative: 50.0 PSF

USABLE CONFIGURATIONS: OX, XO

GENERAL DESCRIPTION: The head, sill, and side jambs are extruded PVC. The wall thickness through which the anchor screw penetrates is a minimum of 0.070".

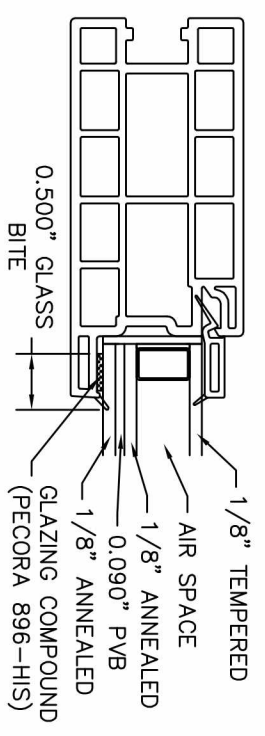
NOTES:

- This installation has been evaluated for use in locations adhering to the Texas & Florida Building Codes and where pressure requirements as determined by ASCE 7 Minimum Design Loads for Buildings and Other Structures do not exceed the design pressure ratings herein, for use outside the H.V.H.Z.
- All exterior perimeter surfaces of the door must be caulked. Interior caulking is optional unless noted otherwise.
- Anchor type, size, spacing, and embedment shall be as specified in these drawings.
- Anchor embedment to substrate shall be beyond wall dressing or stucco. For concrete/CMU openings embedment shall be beyond wood bucks, if used, and into substrate. Installations to solid concrete or grout-filled CMU may include but do not require 1x wood bucks between product and substrate. Installations to hollow CMU require the use of 1x bucks between product and substrate.
- Wood or masonry openings, bucks, and buck fasteners, by others, shall be properly designed and installed to transfer wind loads to the structure. Substrates shall meet the minimum strength requirements as shown in Table 1, this sheet. Concrete or masonry substrates shall not be cracked.
- The responsibility for selection of Simonton products to meet any applicable local laws, building codes, ordinances, or other safety requirements rests solely with the architect, building owner, or contractor.
- Shims are required where gaps of greater than 1/16" exist between opening and frame. Max. shim stack is 1/4". Shims shall be load-bearing and capable of transferring loads to the substrate.
- When used in areas requiring impact protection, this product DOES NOT REQUIRE the use of approved impact resistant shutters or other external protection.
- Sealing and flashing by others should be applied using the ASTM E 2112 methodology appropriate for the opening into which the door is being installed. Overall water penetration resistance of the installed product is the responsibility of others.
- Glazing shall comply with ASTM E 1300-04 and safety glazing requirements per FBC Section 2406.
- For installation to metal substrates, anchors shall be long enough to be fully threaded through the metal thickness with an additional 3/16" min. of threads beyond.
- A minimum center-to-center spacing of 1-1/4" shall be maintained between all Elco Ultracons in any direction.
- All fasteners penetrating into pressure treated wood shall be capable of preventing corrosion due to reaction with pressure treatment chemicals. Any dissimilar materials that come into contact shall be protected to prevent reactions in accordance with code requirements.
- A wind load duration factor Cd = 1.6 was used for the analysis of wood screws only.
- Windows shall be constructed and reinforced as specified in test reports A2062 01-501-47-r0 and C3520.01-501-47-r1, by Architectural Testing, Inc.



9/9/2014
LUCAS A. TURNER, P.E.
FL PE # 58201
TURNER ENGINEERING & CONSULTING, INC.
(COA # 29779)
1239 JABARA AVE.
NORTH PORT, FL 34288
PH: 941-380-1574

REV. #	REVISIONS:	REVISED BY:	DATE:
1	UPDATED PER TEST REPORT 69900.01.	T.D.D.	04/30/09
2	ADDED GLAZING DETAILS AND FLASHING NOTE.	T.D.D.	03/01/11
3	UPDATED ANCHOR LOCATIONS PER NEW TESTING.	T.D.D.	04/12/11
4	UPDATED GLAZING DETAILS.	T.D.D.	04/29/11
5	ADDED ASTRAGAL AND PARTS LIST.	T.D.D.	03/20/13
6	UPDATED FOR MULTIPLE SUBSTRATE TYPES	L.A.T.	09/06/14



1" INSULATED TEMPERED/ANNEALED IMPACT GLASS WITH 0.090" PVB INTERLAYER

TABLE 1: INSTALLATION FASTENERS TABLE

ID	SUBSTRATE TYPE	ANCHOR TYPE	MIN. EMBED	MIN. EDGE DIST.
A	CONCRETE (2.85 KSI MIN.)	3/16" ELCO ULTRACON	1"	1"
B	HOLLOW OR GROUT-FILLED CMU (ASTM G90)	3/16" ELCO ULTRACON	1-1/4"	2 1/2"
C	2X MIN. SOUTHERN PINE WOOD (G=0.55)	3/16" ELCO ULTRACON	1-3/8"	3/4"
D	2X MIN. SOUTHERN PINE WOOD (G=0.55)	#10 WOOD SCREW	1-3/8"	3/4"
E	16 GAUGE (0.060") MIN. STEEL STUD, 33KSI YIELD MIN.	#10-16 TTW TEKS SELF-DRILLING SCREW	SEE NOTE 11	1/2"
F	1/8" ALUM. 6063-T5 MIN. OR 1/8" STEEL 36 KSI MIN.	#10 GRADE 5 SELF-TAPPING/ DRILLING SCREW	SEE NOTE 11	1/2"

DISCLOSURE STATEMENT
This document is the property of Simonton Windows, which retains all proprietary and other rights to its subject matter. This document is provided to the recipient on the expressed condition that it is not to be disclosed, reproduced in whole or part, nor used in conjunction with the design, manufacture or repair of goods for anyone other than Simonton Windows without its consent. This restriction does not limit the recipient's rights to utilize information contained in this document which is properly obtained from another source.

MATERIAL:

RMS FINISH:	EXCEPT AS NOTED
ALLOY & TEMPER:	
WEIGHT:	VOLUME:
SURFACE AREA:	PERIMETER:
FINISH TREATMENT:	

Dimensional Tolerances Unless Otherwise Specified

Decimals	Angles
.X ± .03	0° 30 min.
.XX ± .01	
.XXX ± .005	

SIMON TON
W I N D O W S
1 Cochran Avenue
Pembroke, WV 26415

SIZE/DRAWING NO.: B IN0370
REV.: 6
DRAWN BY: T.D.D. **DATE:** 11/14/08
CHECKED BY: DATE:
SCALE: FIT **SHEET:** 2 of 2
APPR'VD BY: DATE:
SERIES: 07-07 CENTER HINGE OUTSWING IMPACT GARDEN DOOR
TITLE: NOTES, GLAZING DETAIL & ANCHOR TABLE