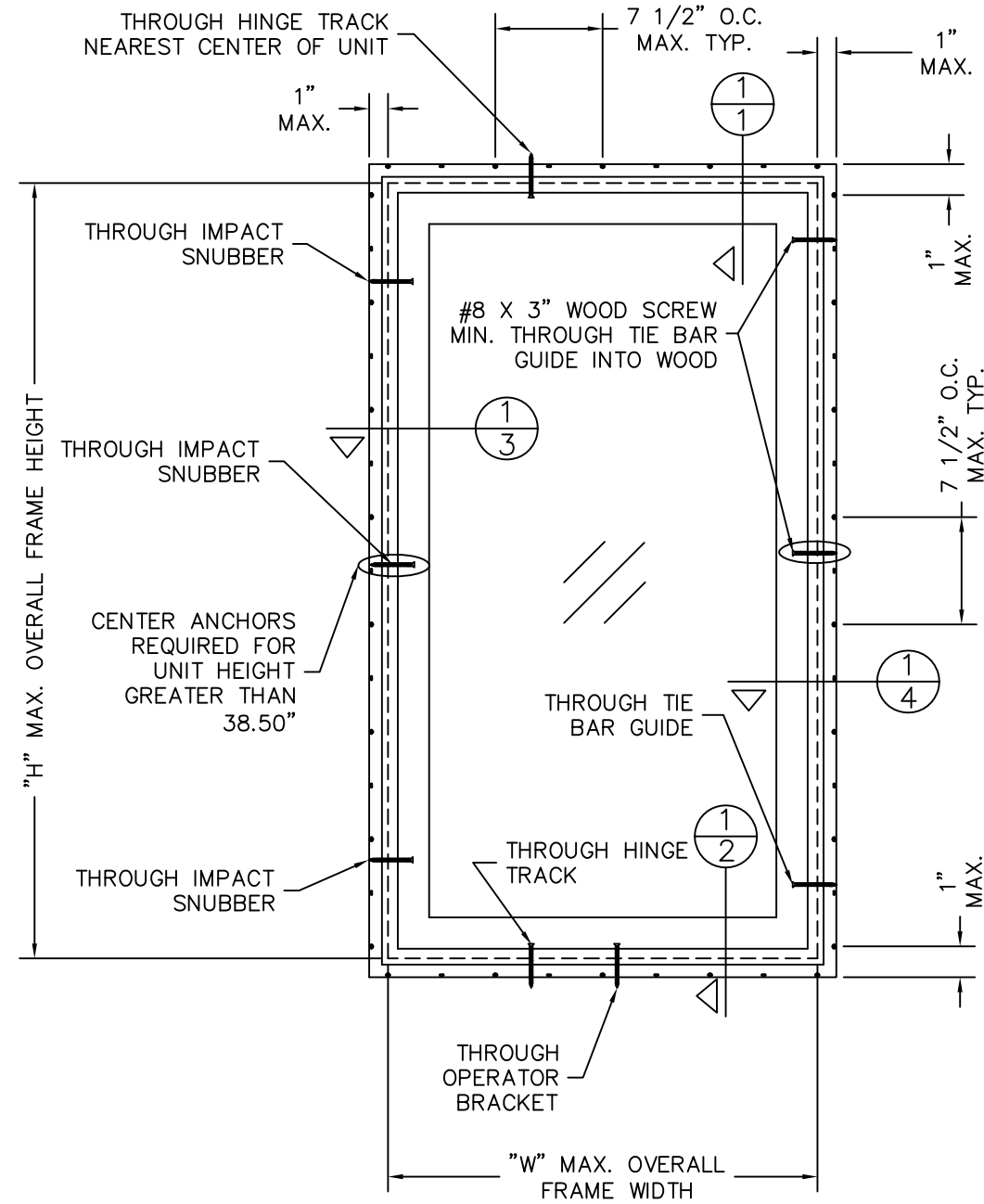


**MODEL DESIGNATION:** Simonton Casement Series 08-20 Vinyl Impact Window  
**MAXIMUM OVERALL NOMINAL SIZE:** See Size Chart  
**DESIGN PRESSURE RATING:** See Size Chart  
**USABLE CONFIGURATIONS:** X

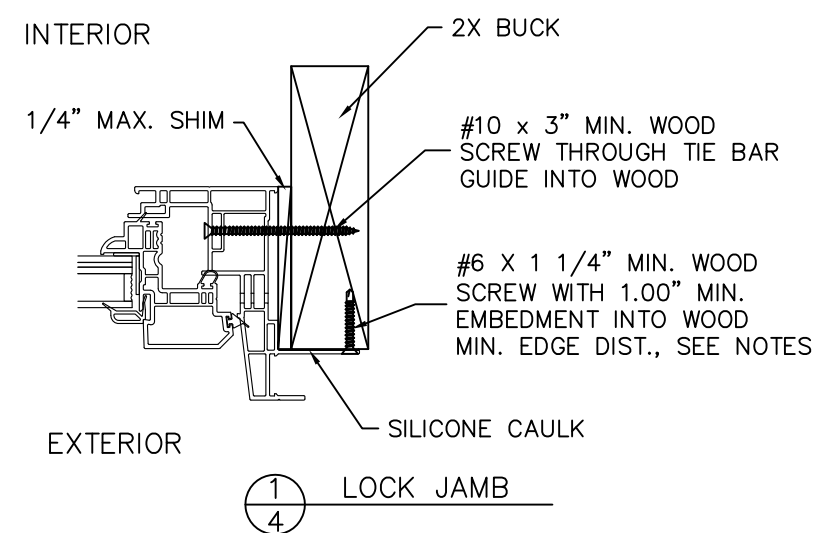
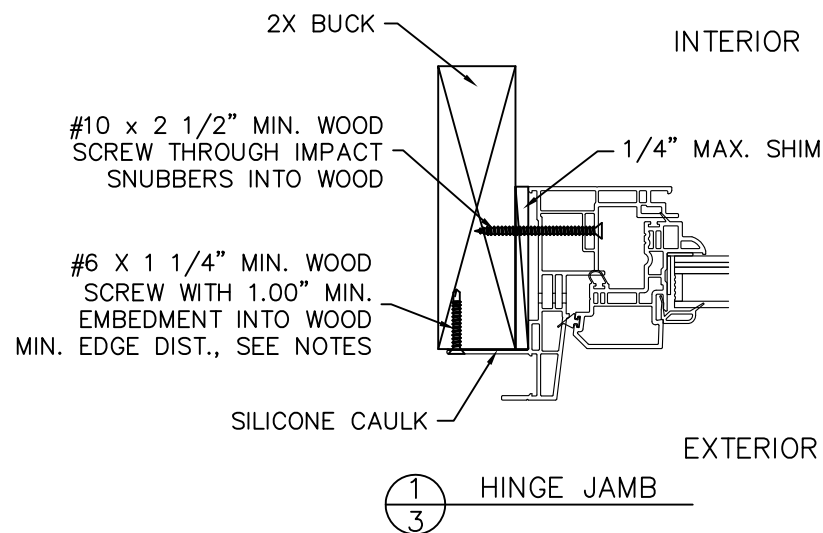
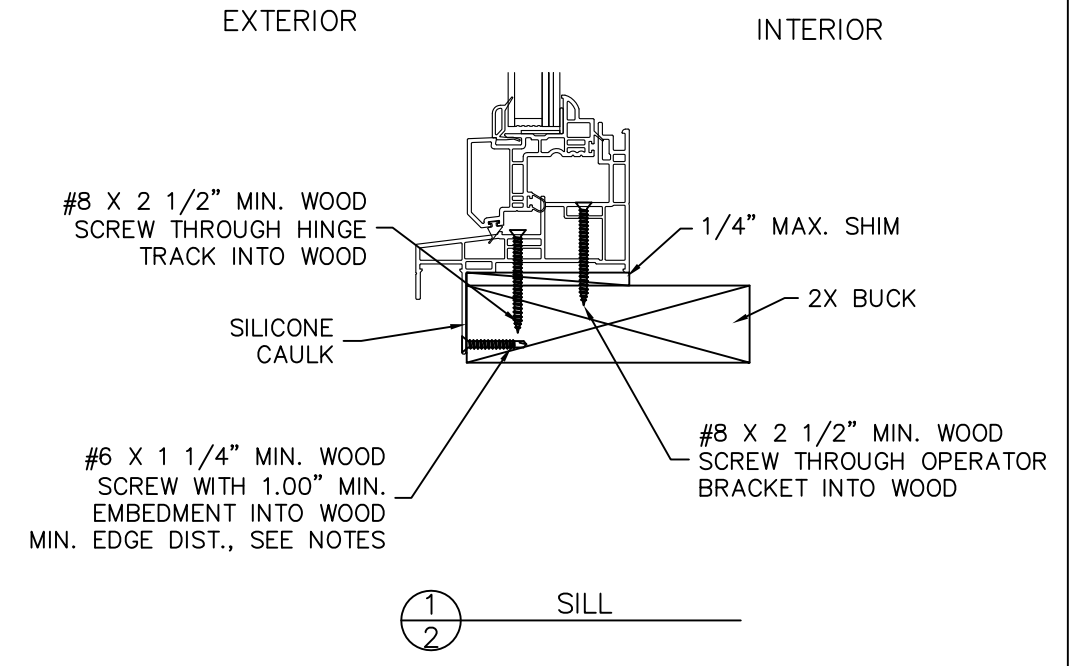
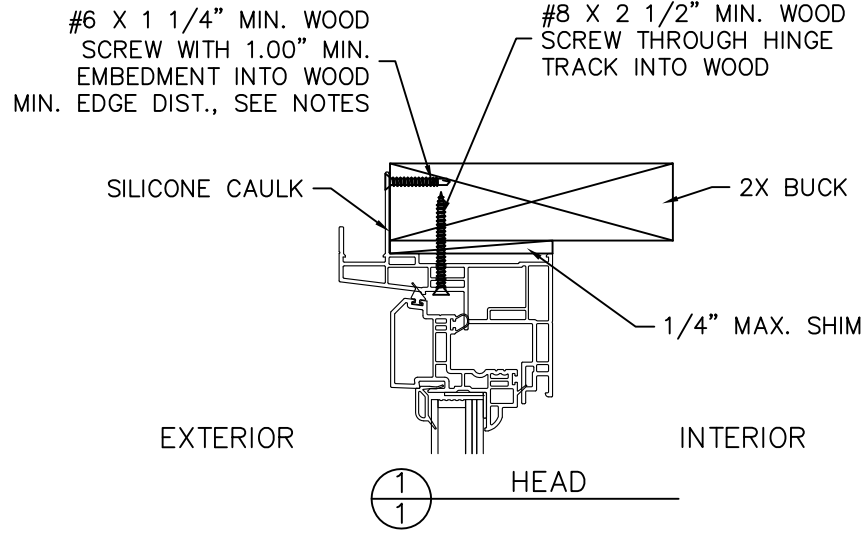
NO P.E. SEAL REQUIRED  
 INSTALLATION SUPPORTED  
 BY AAMA TEST REPORTS

REV. #	REVISIONS:	REVISED BY:	DATE:
2	ADDED NOTE 10.	T.D.D.	01/06/12
3	ADDED MIN EDGE DIST. NOTE.	B.J.S.	06/17/15
4	ADDED NOTES 11 & 12 AND ADDED ANNEALED TO LAMI IG.	LMH	02/16/16
5	ADDED NOTE TO CENTER ANCHOR.	LMH	05/30/19
6	UPDATED FOR 7TH EDITION 2020 FBC	LMH	12/06/20

**GENERAL DESCRIPTION:** The head, sill, and side jambs are extruded PVC. The wall thickness through which the anchor screw penetrates is a minimum of 0.070".



SIZE CHART		
OVERALL SIZE		DP RATING
WIDTH "W"	HEIGHT "H"	
30"	65"	±55.0 PSF
36"	50"	



DISCLOSURE STATEMENT		MATERIAL:		Dimensional Tolerances Unless Otherwise Specified		SIMONTON® WINDOWS		SIZE: DRAWING NO.:	REV.:
This document is the property of Simonton Windows, which retains all proprietary and other rights to its subject matter. This document is provided to the recipient on the expressed condition that it is not to be disclosed, reproduced in whole or part, nor used in conjunction with the design, manufacture or repair of goods for anyone other than Simonton Windows without its consent. This restriction does not limit the recipient's rights to utilize information contained in this document which is properly obtained from another source.		RMS FINISH:		Decimals		1 Cochrane Avenue Pennsboro, WV 26415		B	6
		ALLOY & TEMPER:		Angles				IN0515	
		WEIGHT:		VOLUME:		.X ± .03		DRAWN BY:	DATE:
		SURFACE AREA:		PERIMETER:		.XX ± .01		T.D.D.	07/20/10
FINISH TREATMENT:				.XXX ± .005		CHECKED BY:		DATE:	
FILE: FL 224						APPR'VD BY:		DATE:	
						SCALE: FIT		SHEET: 1 of 2	APPR'VD BY:
						SERIES:		08-20 IMPACT CASEMENT (LEFT/RIGHT HINGE)	
						TITLE:		2X BUCK INSTALLATION (AS TESTED)	

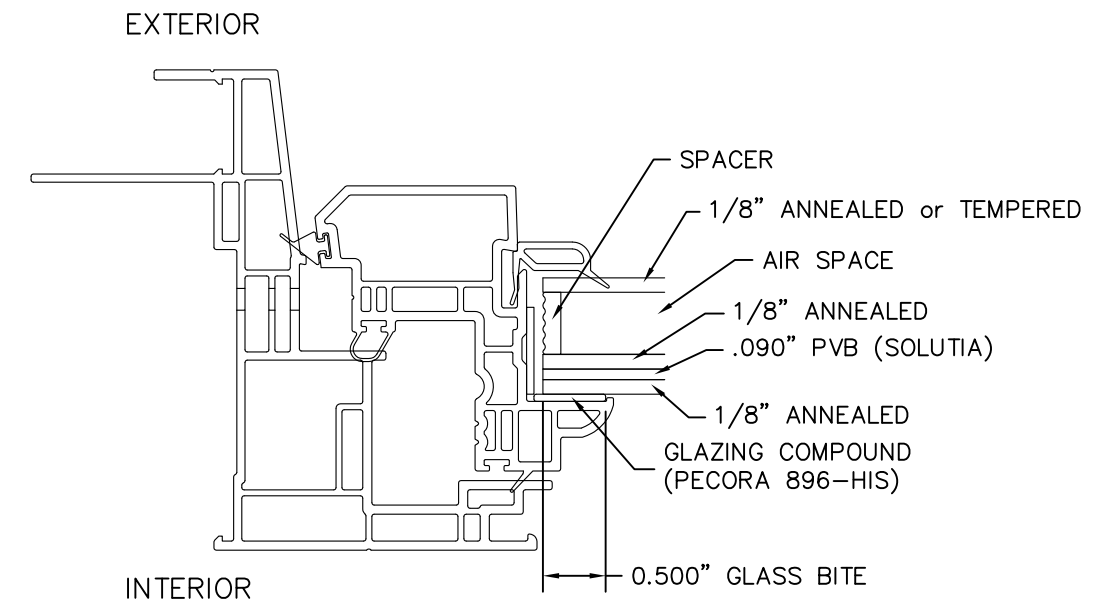
**MODEL DESIGNATION:** Simonton Casement Series 08-20 Vinyl Impact Window  
**MAXIMUM OVERALL NOMINAL SIZE:** See Size Chart  
**DESIGN PRESSURE RATING:** See Size Chart  
**USABLE CONFIGURATIONS:** X

**GENERAL DESCRIPTION:** The head, sill, and side jambs are extruded PVC. The wall thickness through which the anchor screw penetrates is a minimum of 0.070".

REV. #	REVISIONS:	REVISED BY:	DATE:
2	ADDED NOTE 10.	T.D.D.	01/06/12
3	ADDED MIN. EDGE DIST. NOTE.	B.J.S.	06/17/15
4	ADDED NOTES 11 & 12 AND ADDED ANNEALED TO LAMI IG.	LMH	02/16/16
5	ADDED NOTE TO CENTER ANCHOR.	LMH	05/30/19
6	UPDATED FOR 7TH EDITION 2020 FBC	LMH	12/06/20

**NOTES:**

1. THIS INSTALLATION HAS BEEN EVALUATED FOR USE IN LOCATIONS ADHERING TO THE FLORIDA BUILDING CODE AND WHERE DESIGN PRESSURE REQUIREMENTS AS DETERMINED BY ASCE 7 MINIMUM DESIGN LOADS FOR BUILDINGS AND OTHER STRUCTURES DO NOT EXCEED THE DESIGN PRESSURE RATINGS LISTED HEREIN.
2. ALL EXTERIOR PERIMETER SURFACES OF THE WINDOW MUST BE CAULKED. INTERIOR CAULKING IS OPTIONAL UNLESS NOTED OTHERWISE.
3. ANCHORS SHALL BE SPECIFIED AND SPACED AS SHOWN. ANCHOR EMBEDMENT INTO BASE MATERIAL SHALL BE BEYOND WALL DRESSING OR STUCCO AND INTO WOOD OR CONCRETE.
4. WOOD BUCKS (BY OTHERS) MUST BE ENGINEERED AND ANCHORED PROPERLY TO TRANSFER LOADS TO THE STRUCTURE.
5. THE RESPONSIBILITY FOR SELECTION OF SIMONTON PRODUCTS TO MEET ANY APPLICABLE LOCAL LAWS, BUILDING CODES, ORDINANCES, OR OTHER SAFETY REQUIREMENTS RESTS SOLELY WITH THE ARCHITECT, BUILDING OWNER, OR CONTRACTOR.
6. SHIMS ARE OPTIONAL. MAX. SHIM STACK IS 1/4".
7. INSTALLATION SCREWS MUST BE A MINIMUM OF 3/4" FROM THE EDGE OF THE WOOD.
8. WHEN USED IN AREAS REQUIRING IMPACT PROTECTION, THIS PRODUCT DOES NOT REQUIRE THE USE OF IMPACT RESISTANT SHUTTERS OR OTHER EXTERNAL PROTECTION.
9. FLASHING SHOULD BE APPLIED USING THE ASTM E 2112 METHODOLOGY APPROPRIATE FOR THE OPENING INTO WHICH THE WINDOW IS BEING INSTALLED.
10. THIS PRODUCT COMPLIES WITH ASTM E 1300.
11. USE A BACKER ROD ON ALL JOINTS >3/4" DEEP AND/OR WIDER THAN 1/4". FINISHED CAULK JOINT SHOULD BE A MINIMUM OF 3/8" DEEP.



1" INSULATED TEMPERED/ANNEALED IMPACT GLASS WITH 0.090" PVB INTERLAYER

<p align="center"><b>DISCLOSURE STATEMENT</b></p> <p>This document is the property of Simonton Windows, which retains all proprietary and other rights to its subject matter. This document is provided to the recipient on the expressed condition that it is not to be disclosed, reproduced in whole or part, nor used in conjunction with the design, manufacture or repair of goods for anyone other than Simonton Windows without its consent. This restriction does not limit the recipient's rights to utilize information contained in this document which is properly obtained from another source.</p> <p>FILE: FL 224</p>	<p>MATERIAL:</p>	<p align="center">Dimensional Tolerances Unless Otherwise Specified</p> <p>Decimals      Angles</p> <p>.X ± .03              0° 30 min.</p> <p>.XX ± .01</p> <p>.XXX ± .005</p>	<p align="center"><b>SIMONTON</b> WINDOWS</p> <p>1 Cochrane Avenue Pennsboro, WV 26415</p>	<p>SIZE: DRAWING NO.: B IN0515</p>	<p>REV.: 6</p>
	<p>RMS FINISH: EXCEPT AS NOTED</p>			<p>DRAWN BY: T.D.D.</p>	<p>DATE: 07/20/10</p>
	<p>ALLOY &amp; TEMPER:</p>			<p>CHECKED BY:</p>	<p>DATE:</p>
	<p>WEIGHT:                      VOLUME:</p>			<p>APPR'VD BY:</p>	<p>DATE:</p>
	<p>SURFACE AREA:              PERIMETER:</p>			<p>SCALE: FIT      SHEET: 2 of 2</p>	
<p>FINISH TREATMENT:</p>	<p>SERIES: 08-20 IMPACT CASEMENT (LEFT/RIGHT HINGE)</p>		<p>TITLE: NOTES AND GLAZING DETAILS</p>		