

REVISIONS			
REV	DESCRIPTION	DATE	APPROVED
A	REVISED ANCHORS	03/14/17	R.L.

NOTES:

1. THE PRODUCT SHOWN HEREIN IS DESIGNED AND MANUFACTURED TO COMPLY WITH REQUIREMENTS OF THE FLORIDA BUILDING CODE. INCLUDING THE HVHZ
2. WOOD FRAMING AND MASONRY OPENING TO BE DESIGNED AND ANCHORED TO PROPERLY TRANSFER ALL LOADS TO STRUCTURE. FRAMING AND MASONRY OPENING IS THE RESPONSIBILITY OF THE ARCHITECT OR ENGINEER OF RECORD.
3. 1X BUCK OVER MASONRY/CONCRETE IS OPTIONAL.
4. WHERE SHIM OR BUCK THICKNESS IS LESS THAN 1-1/2" WINDOW UNITS MUST BE ANCHORED THROUGH THE FRAME IN ACCORDANCE WITH MANUFACTURER'S PUBLISHED INSTALLATION INSTRUCTIONS. ANCHORS SHALL BE SECURELY FASTENED DIRECTLY INTO MASONRY, CONCRETE OR OTHER STRUCTURAL SUBSTRATE MATERIAL.
5. WHERE WOOD BUCK THICKNESS IS 1-1/2" OR GREATER, BUCK SHALL BE SECURELY FASTENED TO MASONRY, CONCRETE OR OTHER STRUCTURAL SUBSTRATE. WINDOW UNITS MAY BE ANCHORED THROUGH FRAME TO SECURED WOOD BUCK IN ACCORDANCE WITH MANUFACTURER'S PUBLISHED INSTALLATION INSTRUCTIONS.
6. WHERE 1X BUCK IS NOT USED DISSIMILAR MATERIALS MUST BE SEPARATED WITH APPROVED COATING OR MEMBRANE. SELECTION OF COATING OR MEMBRANE IS THE RESPONSIBILITY OF THE ARCHITECT OR ENGINEER OF RECORD.
7. BUCKS SHALL EXTEND BEYOND WINDOW INTERIOR FACE SO THAT FULL FRAME SUPPORT IS PROVIDED.
8. FOR FIN INSTALLATION SHIM AS NEEDED. FOR FRAME INSTALLATION SHIM AS REQUIRED AT EACH ANCHOR LOCATION WITH LOAD BEARING SHIM. SHIM WHERE SPACE OF 1/16" OR GREATER OCCURS. MAXIMUM ALLOWABLE SHIM STACK TO BE 1/4".
9. SHIMS SHALL BE LOCATED, APPLIED AND MADE FROM MATERIALS AND THICKNESS CAPABLE OF SUSTAINING APPLICABLE LOADS.
10. WIND LOAD DURATION FACTOR Cd=1.6 WAS USED FOR WOOD ANCHOR CALCULATIONS.
11. FRAME MATERIAL: ALUMINUM 6063-T5.
12. UNITS MUST BE GLAZED PER ASTM E1300-04/09, SEE SHEET 2 FOR DETAILS.
13. APPROVED IMPACT PROTECTIVE SYSTEM IS NOT REQUIRED FOR THIS PRODUCT IN WIND BORNE DEBRIS REGIONS.
14. FOR ANCHORING THROUGH FRAME INTO WOOD FRAMING OR 2X BUCK USE #10 WOOD SCREWS WITH SUFFICIENT LENGTH TO ACHIEVE A 1 1/4" MINIMUM EMBEDMENT INTO SUBSTRATE. LOCATE ANCHORS AS SHOWN IN ELEVATIONS AND INSTALLATION DETAILS.

15. FOR ANCHORING THROUGH FRAME INTO MASONRY/CONCRETE USE 3/16" TAPCONS WITH SUFFICIENT LENGTH TO ACHIEVE A 1 1/4" MINIMUM EMBEDMENT INTO SUBSTRATE WITH 2 1/2" MINIMUM EDGE DISTANCE. LOCATE ANCHORS AS SHOWN IN ELEVATIONS AND INSTALLATION DETAILS.
16. FOR ANCHORING THROUGH FRAME INTO METAL STRUCTURE USE #10 SMS OR SELF DRILLING SCREWS WITH SUFFICIENT LENGTH TO ACHIEVE 3 THREADS MINIMUM BEYOND STRUCTURE INTERIOR WALL. LOCATE ANCHORS AS SHOWN IN ELEVATIONS AND INSTALLATION DETAILS.
17. ALL FASTENERS TO BE CORROSION RESISTANT.
18. INSTALLATION ANCHORS SHALL BE INSTALLED IN ACCORDANCE WITH ANCHOR MANUFACTURER'S INSTALLATION INSTRUCTIONS AND ANCHORS SHALL NOT BE USED IN SUBSTRATES WITH STRENGTHS LESS THAN THE MINIMUM STRENGTH SPECIFIED BELOW:
 - A. WOOD: MINIMUM SPECIFIC GRAVITY OF G=0.42
 - B. CONCRETE: MINIMUM COMPRESSIVE STRENGTH OF 2,000 PSI.
 - C. MASONRY: HOLLOW/FILLED BLOCK PER ASTM C90 WITH Fm=2,000PSI MINIMUM.
 - D. METAL STRUCTURE: STEEL 18GA (.048") FY=33KSI/FU=52KSI OR ALUMINUM 6063-T5 FU=30KSI .058" THICK MINIMUM.

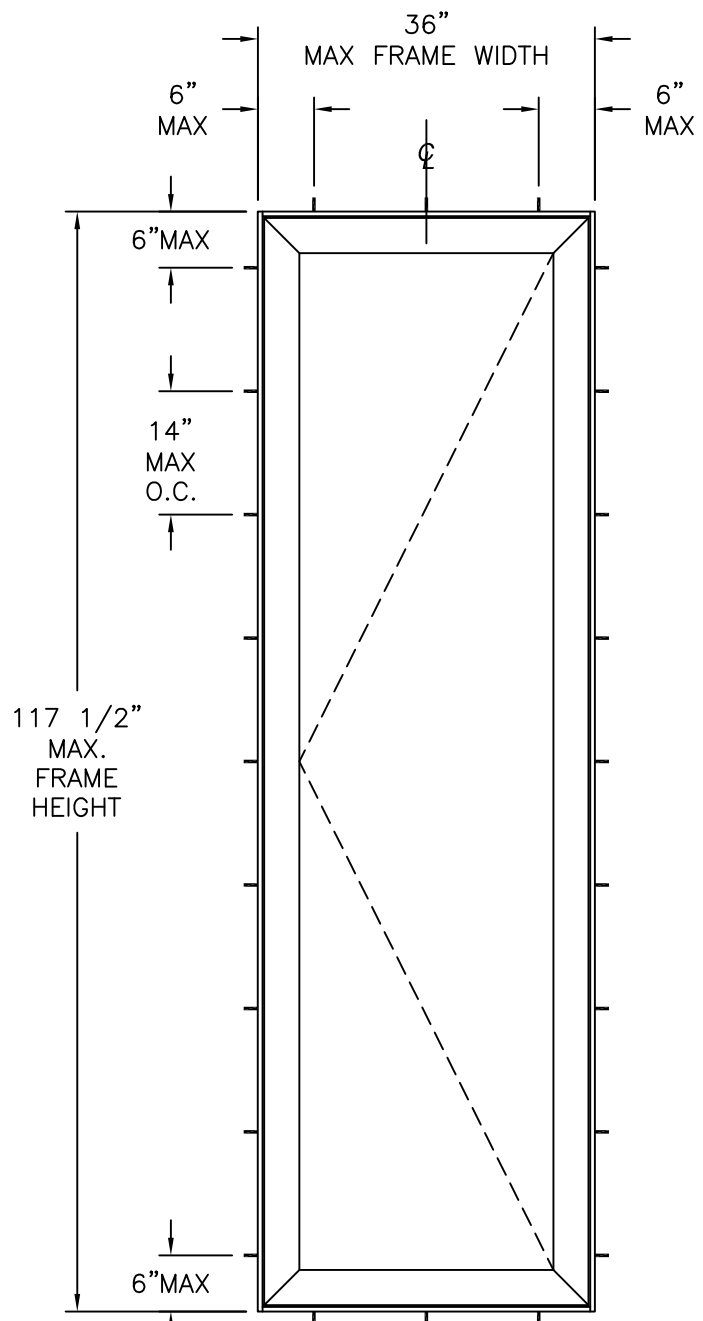
SIGNED: 03/15/2017

TABLE OF CONTENTS	
SHEET NO.	DESCRIPTION
1	NOTES
2	ELEVATION, COMPONENTS & GLAZING DETAIL
3-5	INSTALLATION DETAILS

US ALUMINUM DIVISION OF C.R. LAURENCE CO., INC. 2503 E. VERNON AVE., LOS ANGELES, CA 90058		
SERIES D900 THERMALLY IMPROVED ALUMINUM ARCHITECTURAL TERRACE DOOR. NOTES		
DRAWN: R.L.	DWG NO. 08-02966	REV A
SCALE NTS	DATE 09/12/2016	SHEET 1 OF 5



REVISIONS			
REV	DESCRIPTION	DATE	APPROVED
A	REVISED ANCHORS	03/14/17	R.L.

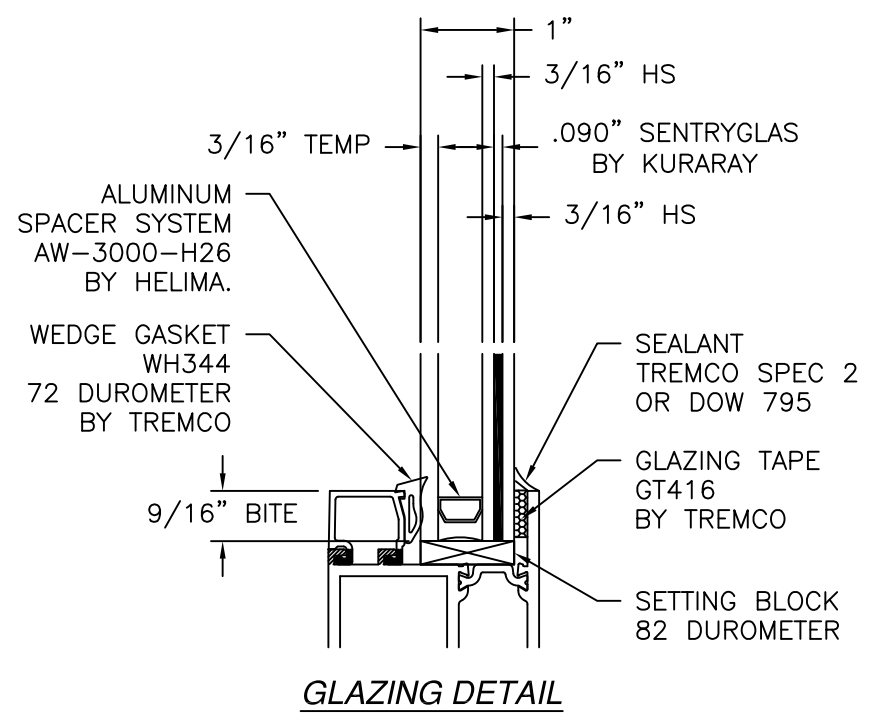


SERIES D900
THERMALLY IMPROVED ALUMINUM
ARCHITECTURAL TERRACE DOOR

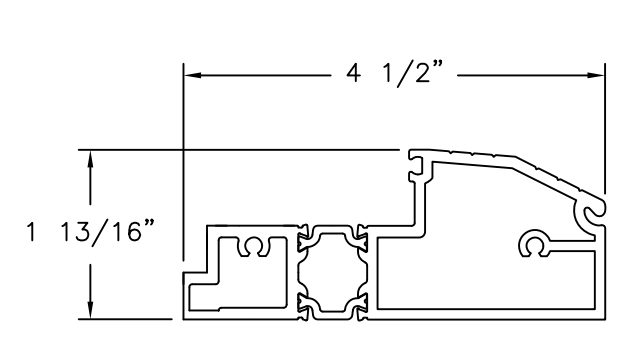
DESIGN PRESSURE RATING	IMPACT RATING
±65.0PSF	LARGE AND SMALL MISSILE IMPACT

MISSILE LEVEL D, WIND ZONE 4 AND HVHZ

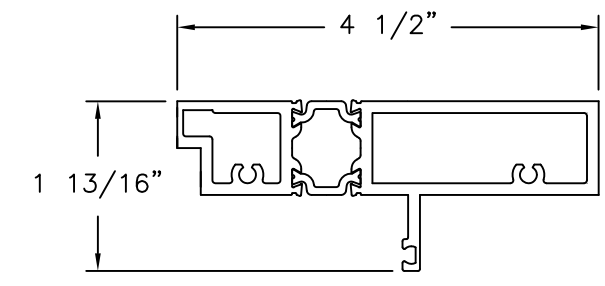
HARDWARE SCHEDULE	
A.	(1) STRIKE DEAD BOLT (TH701) BY HOPPE
B.	(1) STRIKE TONGUES (TH702) BY HOPPE
C.	(1) SHOOT BOLTS (TH703) BY HOPPE
D.	(4) BUTT HINGE (WH751)



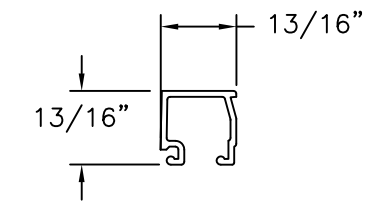
- NOTES:
 1. MAXIMUM PANEL SIZE: 34 5/8" X 116 1/8"
 2. MAXIMUM D.L.O.: 27 1/8" X 108 5/8"



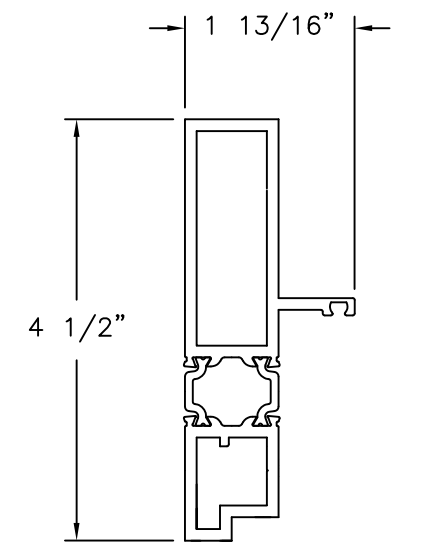
FRAME HEAD
 ALUMINUM 6063-T5 (.11") THICK



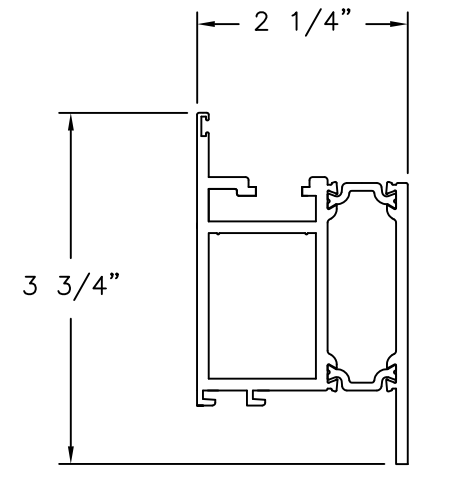
FRAME SILL
 ALUMINUM 6063-T5 (.125") THICK



GLASS STOP
 ALUMINUM 6063-T5 (.062") THICK



FRAME JAMB
 ALUMINUM 6063-T5 (.125") THICK



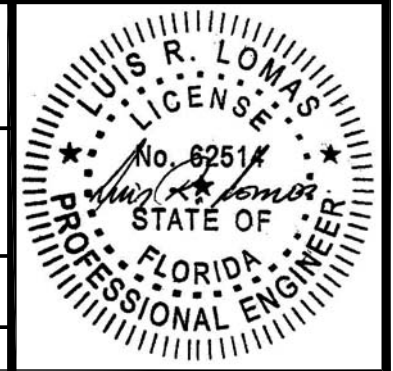
PANEL RAIL & STILE
 ALUMINUM 6063-T5 (.125") THICK

SIGNED: 03/15/2017

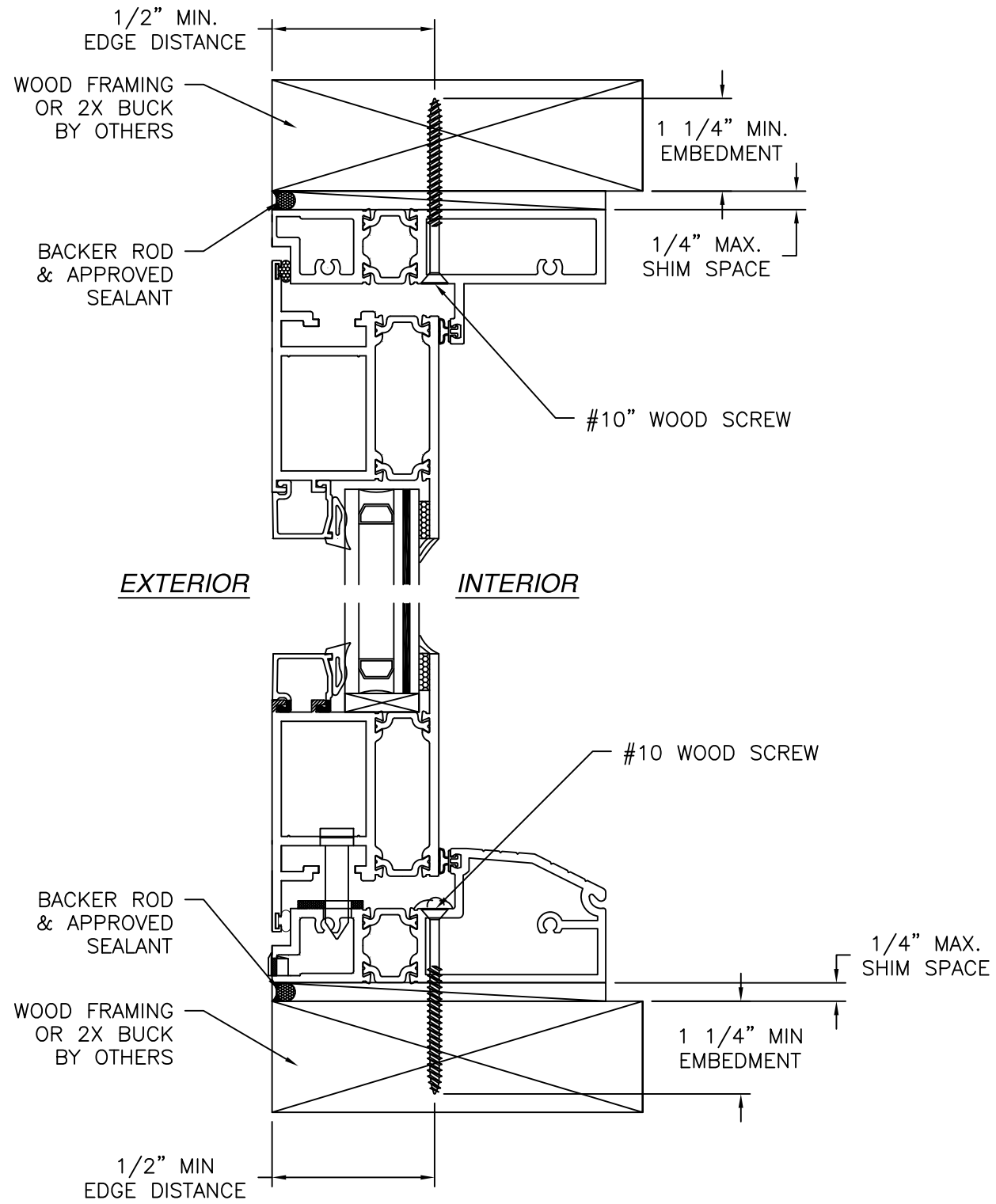
US ALUMINUM
 DIVISION OF C.R. LAURENCE CO., INC.
 2503 E. VERNON AVE., LOS ANGELES, CA 90058

SERIES D900 THERMALLY IMPROVED ALUMINUM
 ARCHITECTURAL TERRACE DOOR.
 ELEVATION, COMPONENTS & GLAZING DETAIL

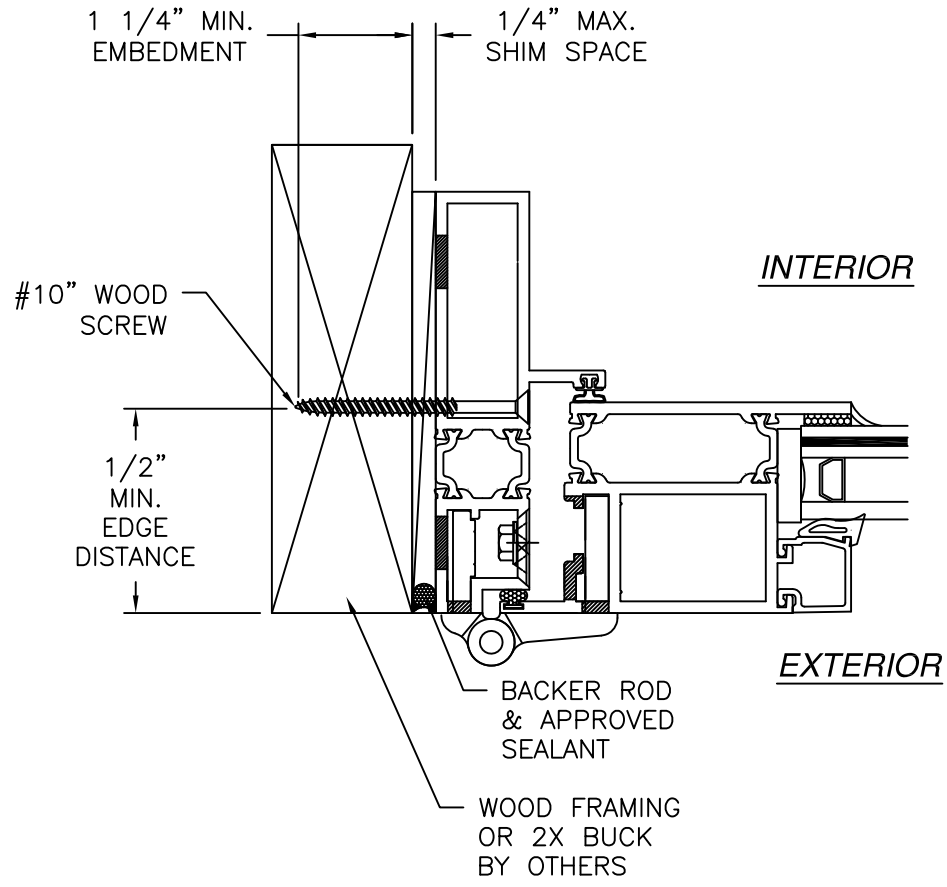
DRAWN: R.L.	DWG NO. 08-02966	REV A
SCALE NTS	DATE 09/12/2016	SHEET 2 OF 5



REVISIONS			
REV	DESCRIPTION	DATE	APPROVED
A	REVISED ANCHORS	03/14/17	R.L.



VERTICAL CROSS SECTION
WOOD FRAMING OR 2X BUCK INSTALLATION



JAMB INSTALLATION DETAIL
WOOD FRAMING OR 2X BUCK INSTALLATION

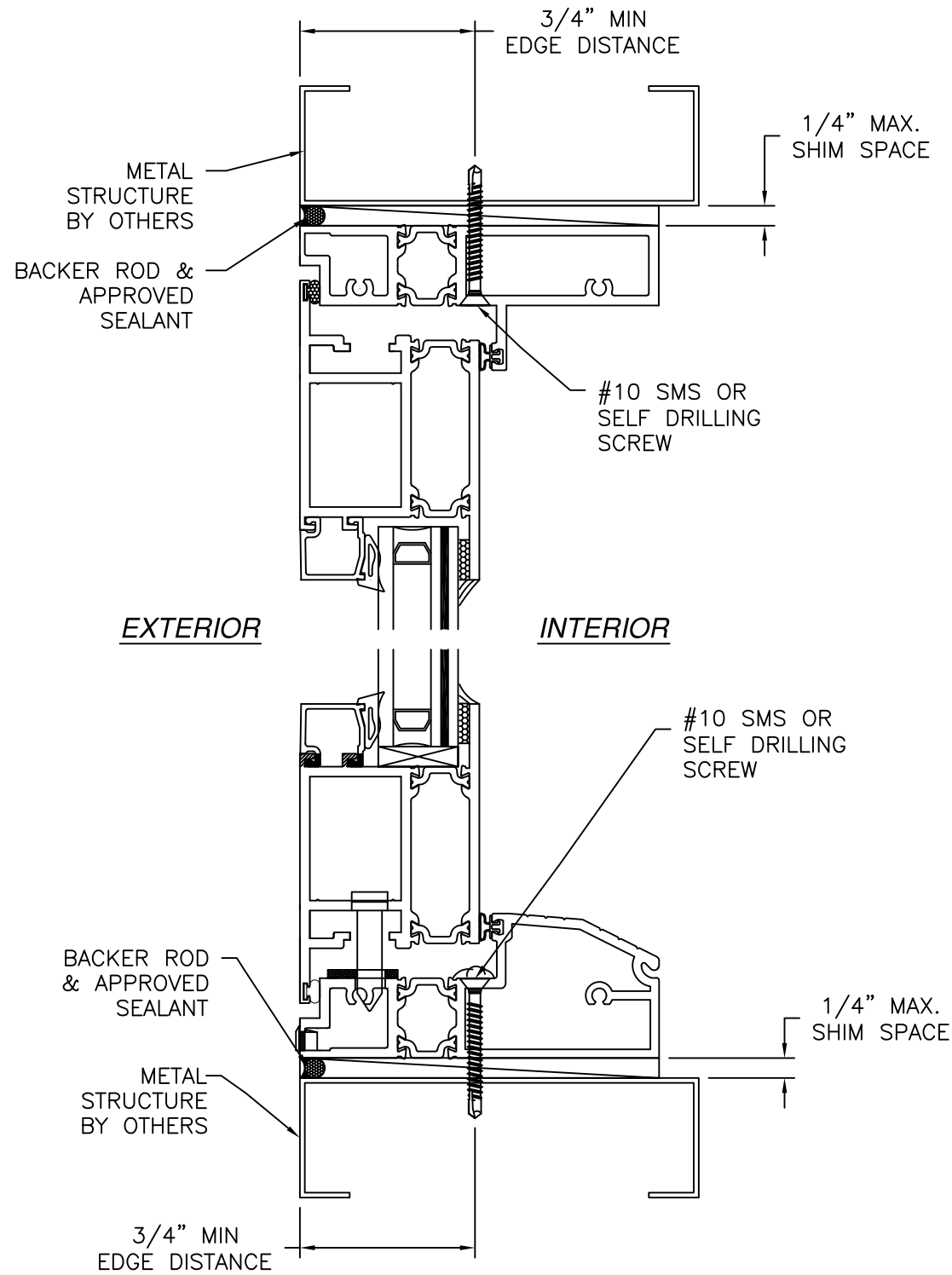
- NOTES:
1. INTERIOR AND EXTERIOR FINISHES, BY OTHERS, NOT SHOWN FOR CLARITY.
 2. PERIMETER AND JOINT SEALANT BY OTHERS TO BE DESIGNED IN ACCORDANCE WITH ASTM E2112

SIGNED: 03/15/2017

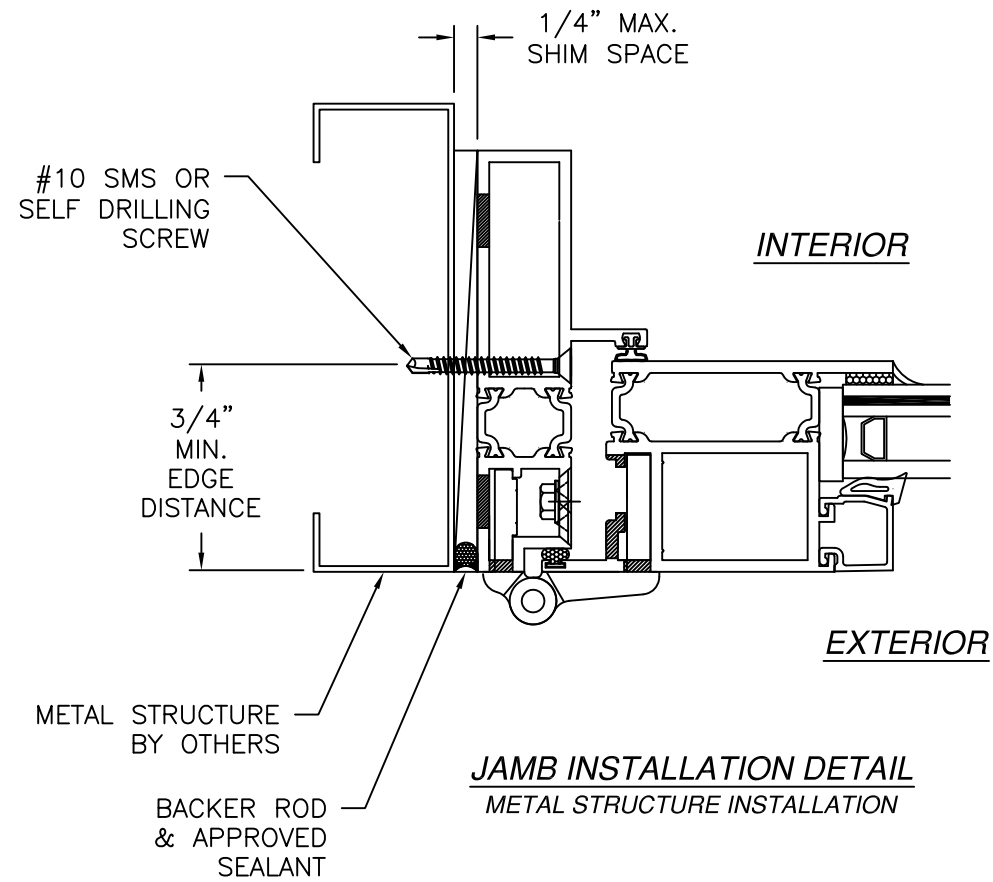
US ALUMINUM DIVISION OF C.R. LAURENCE CO., INC. 2503 E. VERNON AVE., LOS ANGELES, CA 90058		
SERIES D900 THERMALLY IMPROVED ALUMINUM ARCHITECTURAL TERRACE DOOR. INSTALLATION DETAILS		
DRAWN: R.L.	DWG NO. 08-02966	REV A
SCALE NTS	DATE 09/12/2016	SHEET 3 OF 5



REVISIONS			
REV	DESCRIPTION	DATE	APPROVED
A	REVISED ANCHORS	03/14/17	R.L.



VERTICAL CROSS SECTION
METAL STRUCTURE INSTALLATION



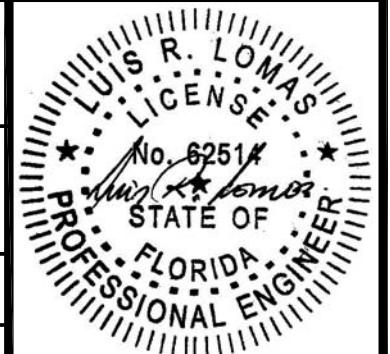
JAMB INSTALLATION DETAIL
METAL STRUCTURE INSTALLATION

NOTES:

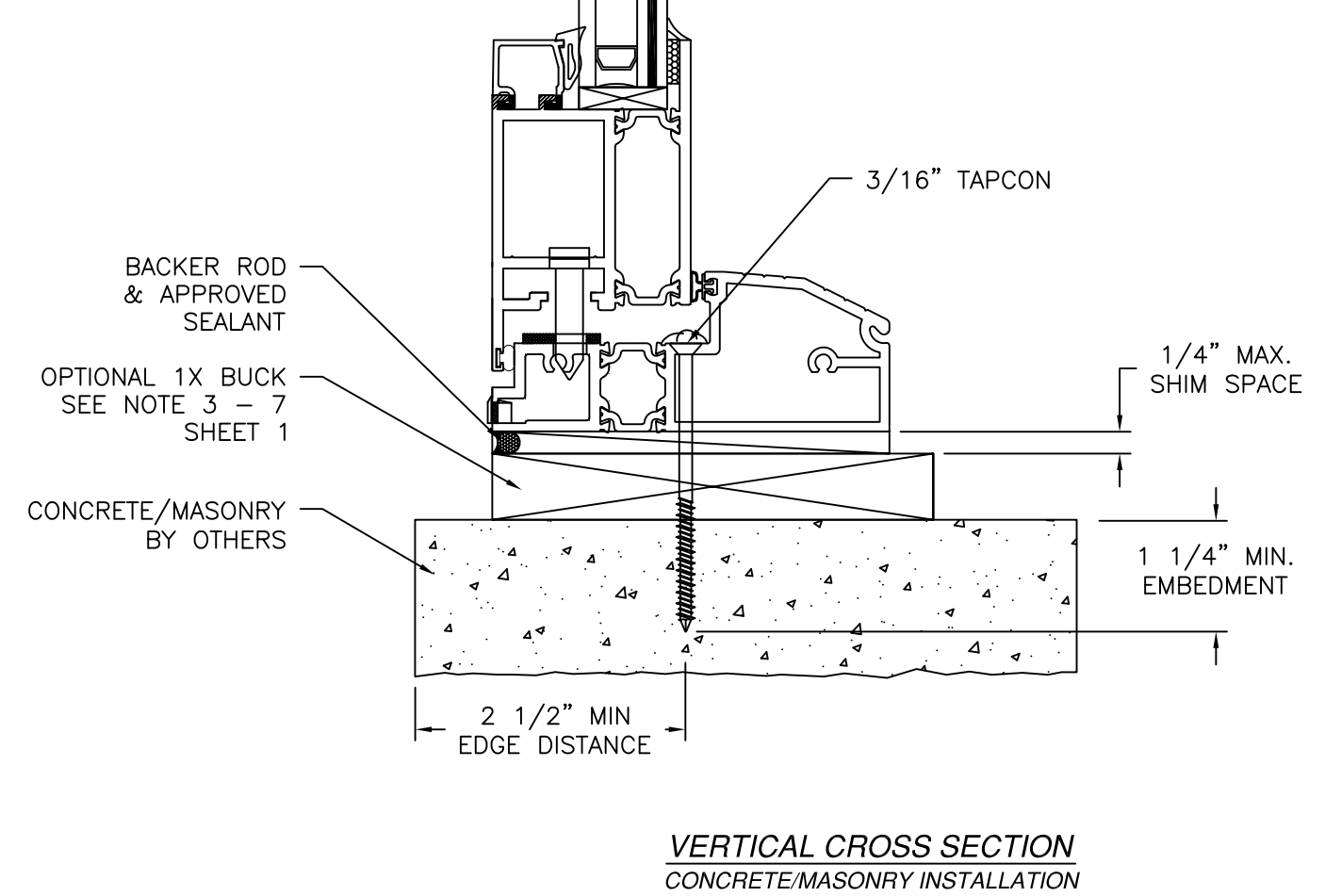
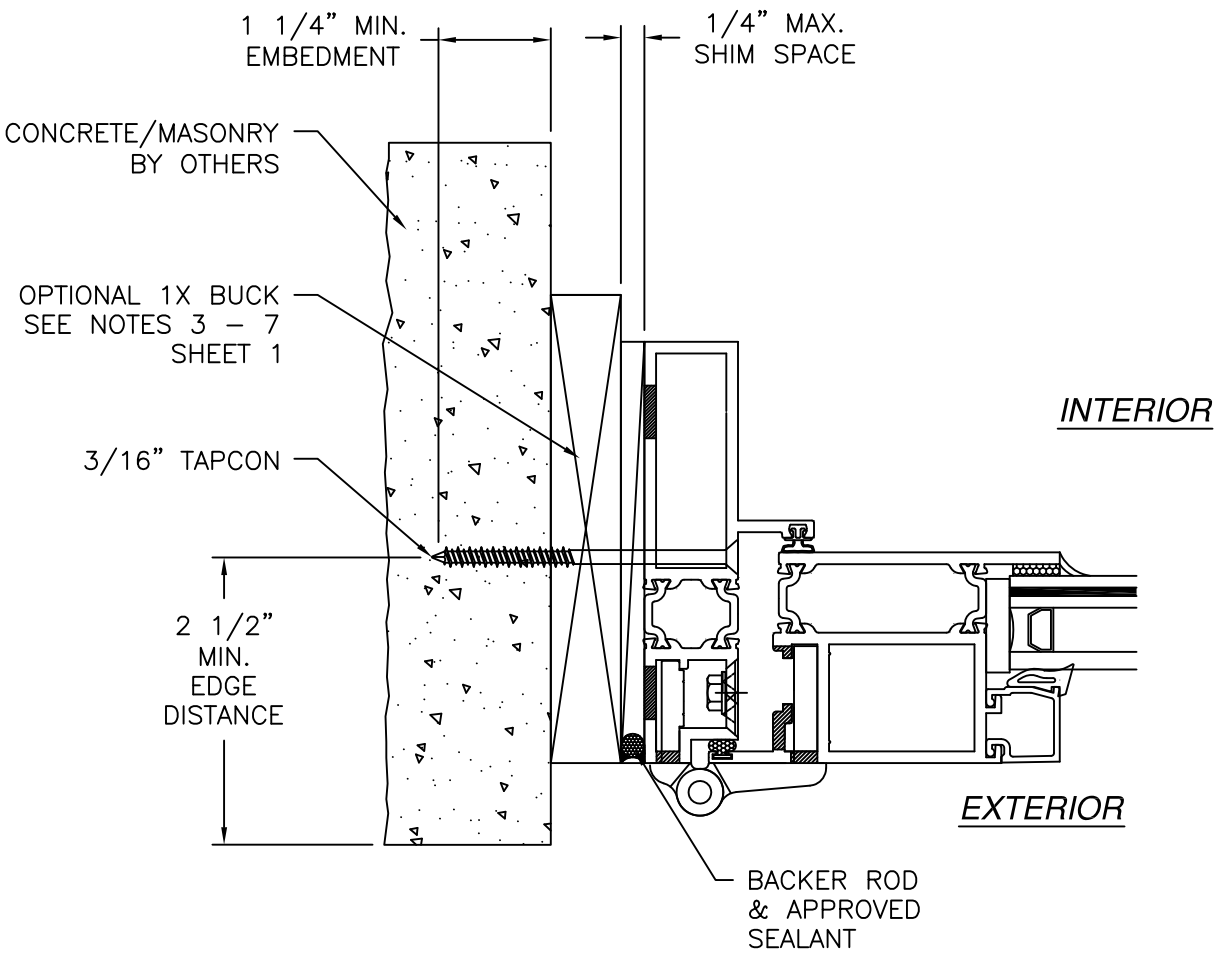
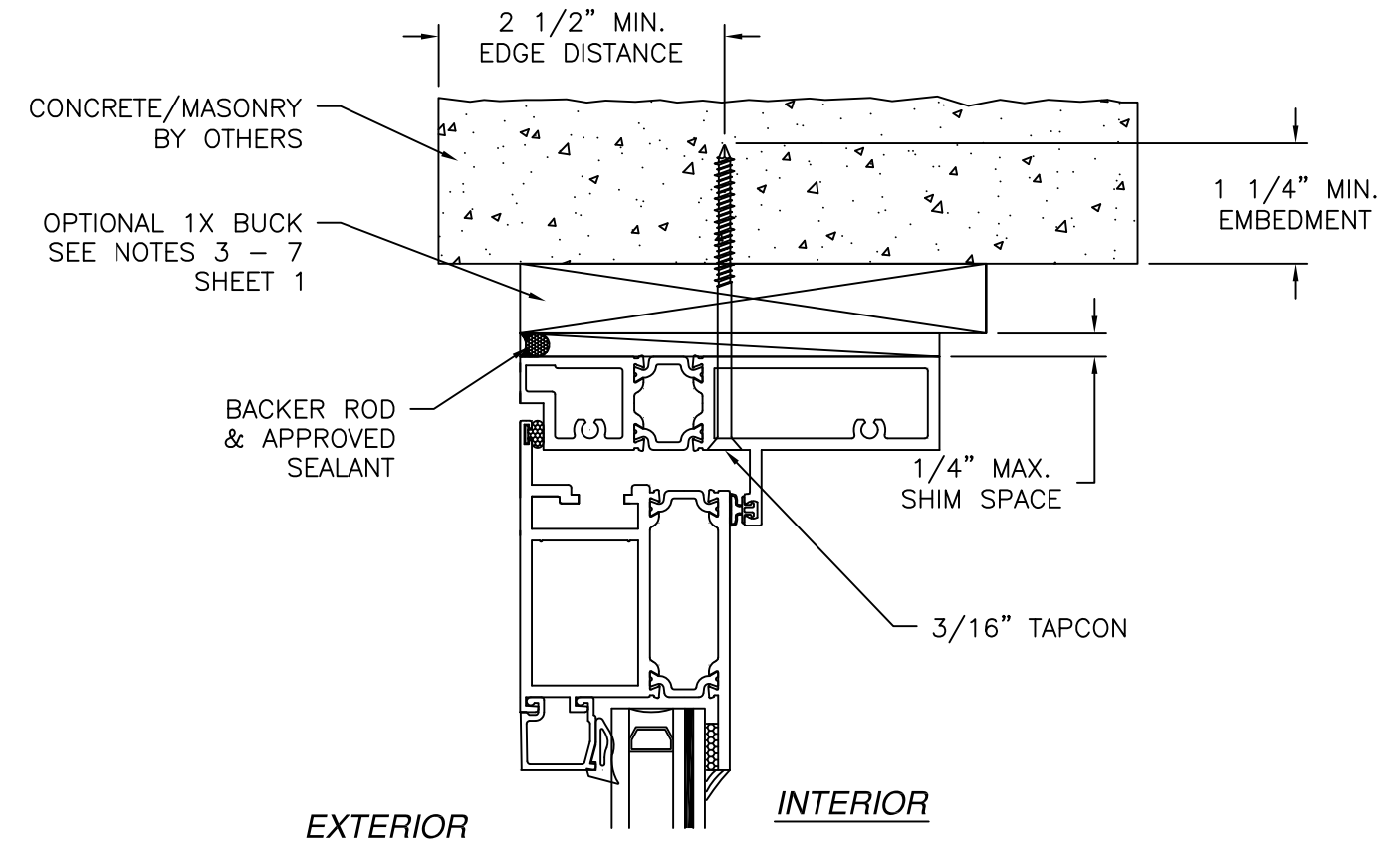
1. INTERIOR AND EXTERIOR FINISHES, BY OTHERS, NOT SHOWN FOR CLARITY.
2. PERIMETER AND JOINT SEALANT BY OTHERS TO BE DESIGNED IN ACCORDANCE WITH ASTM E2112

SIGNED: 03/15/2017

US ALUMINUM DIVISION OF C.R. LAURENCE CO., INC. 2503 E. VERNON AVE., LOS ANGELES, CA 90058		
SERIES D900 THERMALLY IMPROVED ALUMINUM ARCHITECTURAL TERRACE DOOR. INSTALLATION DETAILS		
DRAWN: R.L.	DWG NO. 08-02966	REV A
SCALE NTS	DATE 09/12/2016	SHEET 4 OF 5



REVISIONS			
REV	DESCRIPTION	DATE	APPROVED
A	REVISED ANCHORS	03/14/17	R.L.

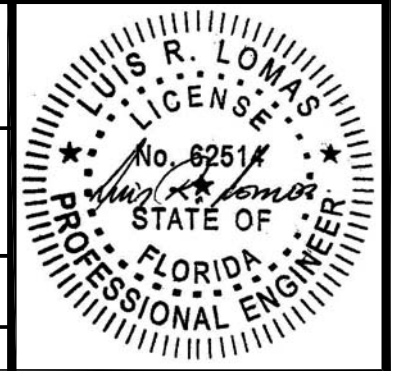


JAMB INSTALLATION DETAIL
CONCRETE/MASONRY INSTALLATION

- NOTES:
1. INTERIOR AND EXTERIOR FINISHES, BY OTHERS, NOT SHOWN FOR CLARITY.
 2. PERIMETER AND JOINT SEALANT BY OTHERS TO BE DESIGNED IN ACCORDANCE WITH ASTM E2112

SIGNED: 03/15/2017

US ALUMINUM DIVISION OF C.R. LAURENCE CO., INC. 2503 E. VERNON AVE., LOS ANGELES, CA 90058		
SERIES D900 THERMALLY IMPROVED ALUMINUM ARCHITECTURAL TERRACE DOOR. INSTALLATION DETAILS		
DRAWN: R.L.	DWG NO. 08-02966	REV A
SCALE NTS	DATE 09/12/2016	SHEET 5 OF 5



VERTICAL CROSS SECTION
CONCRETE/MASONRY INSTALLATION