

REVISIONS			
REV	DESCRIPTION	DATE	APPROVED

NOTES:

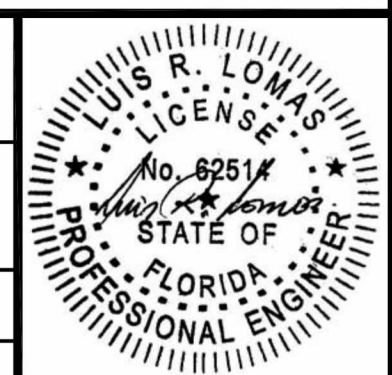
1. THE PRODUCT SHOWN HEREIN IS DESIGNED AND MANUFACTURED TO COMPLY WITH REQUIREMENTS OF THE FLORIDA BUILDING CODE.
2. WOOD FRAMING AND MASONRY OPENING TO BE DESIGNED AND ANCHORED TO PROPERLY TRANSFER ALL LOADS TO STRUCTURE. FRAMING AND MASONRY OPENING IS THE RESPONSIBILITY OF THE ARCHITECT OR ENGINEER OF RECORD.
3. 1X BUCK OVER MASONRY/CONCRETE IS OPTIONAL.
4. WHERE SHIM OR BUCK THICKNESS IS LESS THAN 1-1/2" WINDOW UNITS MUST BE ANCHORED THROUGH THE FRAME IN ACCORDANCE WITH MANUFACTURER'S PUBLISHED INSTALLATION INSTRUCTIONS. ANCHORS SHALL BE SECURELY FASTENED DIRECTLY INTO MASONRY, CONCRETE OR OTHER STRUCTURAL SUBSTRATE MATERIAL.
5. WHERE WOOD BUCK THICKNESS IS 1-1/2" OR GREATER, BUCK SHALL BE SECURELY FASTENED TO MASONRY, CONCRETE OR OTHER STRUCTURAL SUBSTRATE. WINDOW UNITS MAY BE ANCHORED THROUGH FRAME TO SECURED WOOD BUCK IN ACCORDANCE WITH MANUFACTURER'S PUBLISHED INSTALLATION INSTRUCTIONS.
6. WHERE 1X BUCK IS NOT USED DISSIMILAR MATERIALS MUST BE SEPARATED WITH APPROVED COATING OR MEMBRANE. SELECTION OF COATING OR MEMBRANE IS THE RESPONSIBILITY OF THE ARCHITECT OR ENGINEER OF RECORD.
7. BUCKS SHALL EXTEND BEYOND WINDOW INTERIOR FACE SO THAT FULL FRAME SUPPORT IS PROVIDED.
8. FOR FIN INSTALLATION SHIM AS NEEDED. FOR FRAME INSTALLATION SHIM AS REQUIRED AT EACH ANCHOR LOCATION WITH LOAD BEARING SHIM. SHIM WHERE SPACE OF 1/16" OR GREATER OCCURS. MAXIMUM ALLOWABLE SHIM STACK TO BE 1/4".
9. SHIMS SHALL BE LOCATED, APPLIED AND MADE FROM MATERIALS AND THICKNESS CAPABLE OF SUSTAINING APPLICABLE LOADS.
10. WIND LOAD DURATION FACTOR Cd=1.6 WAS USED FOR WOOD ANCHOR CALCULATIONS.
11. FRAME MATERIAL: ALUMINUM 6063-T5.
12. UNITS MUST BE GLAZED PER ASTM E1300-04/09, WITH SAFETY GLASS.
13. APPROVED IMPACT PROTECTIVE SYSTEM IS REQUIRED FOR THIS PRODUCT IN WIND BORNE DEBRIS REGIONS.
14. FOR ANCHORING THROUGH FRAME INTO WOOD FRAMING OR 2X BUCK USE #10 WOOD SCREWS WITH SUFFICIENT LENGTH TO ACHIEVE A 1 1/4" MINIMUM EMBEDMENT INTO SUBSTRATE. LOCATE ANCHORS AS SHOWN IN ELEVATIONS AND INSTALLATION DETAILS.

15. FOR ANCHORING THROUGH FRAME INTO MASONRY/CONCRETE USE 3/16" TAPCONS WITH SUFFICIENT LENGTH TO ACHIEVE A 1 1/4" MINIMUM EMBEDMENT INTO SUBSTRATE WITH 2 1/2" MINIMUM EDGE DISTANCE. LOCATE ANCHORS AS SHOWN IN ELEVATIONS AND INSTALLATION DETAILS.
16. FOR ANCHORING THROUGH FRAME INTO METAL STRUCTURE USE #10 SMS OR SELF DRILLING SCREWS WITH SUFFICIENT LENGTH TO ACHIEVE 3 THREADS MINIMUM BEYOND STRUCTURE INTERIOR WALL. LOCATE ANCHORS AS SHOWN IN ELEVATIONS AND INSTALLATION DETAILS.
17. ALL FASTENERS TO BE CORROSION RESISTANT.
18. INSTALLATION ANCHORS SHALL BE INSTALLED IN ACCORDANCE WITH ANCHOR MANUFACTURER'S INSTALLATION INSTRUCTIONS AND ANCHORS SHALL NOT BE USED IN SUBSTRATES WITH STRENGTHS LESS THAN THE MINIMUM STRENGTH SPECIFIED BELOW:
 - A. WOOD: MINIMUM SPECIFIC GRAVITY OF G=0.42
 - B. CONCRETE: MINIMUM COMPRESSIVE STRENGTH OF 2,000 PSI.
 - C. MASONRY: HOLLOW/FILLED BLOCK PER ASTM C90 WITH Fm=2,000PSI MINIMUM.
 - D. METAL STRUCTURE: STEEL 18GA (.048") FY=33KSI/FU=52KSI OR ALUMINUM 6063-T5 FU=30KSI .048" THICK MINIMUM.
19. APPROVED CONFIGURATIONS: 1L, 1R, 2L, 2R, 3L, 3R, 4L, 4R, 2L2R, 5L, 5R, 6L, 6R, 7L, 7R, 8L AND 8R

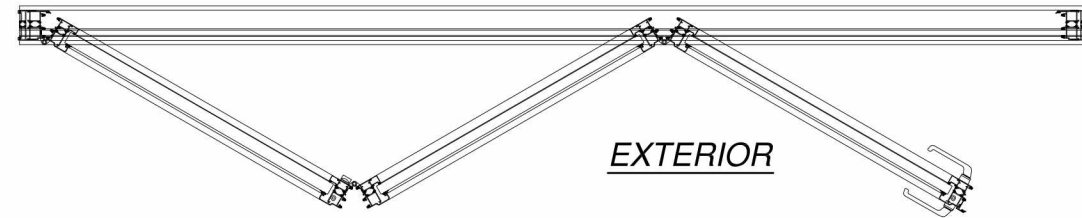
SIGNED: 09/08/2016

TABLE OF CONTENTS	
SHEET NO.	DESCRIPTION
1	NOTES
2	ELEVATION
3 - 5	INSTALLATION DETAILS

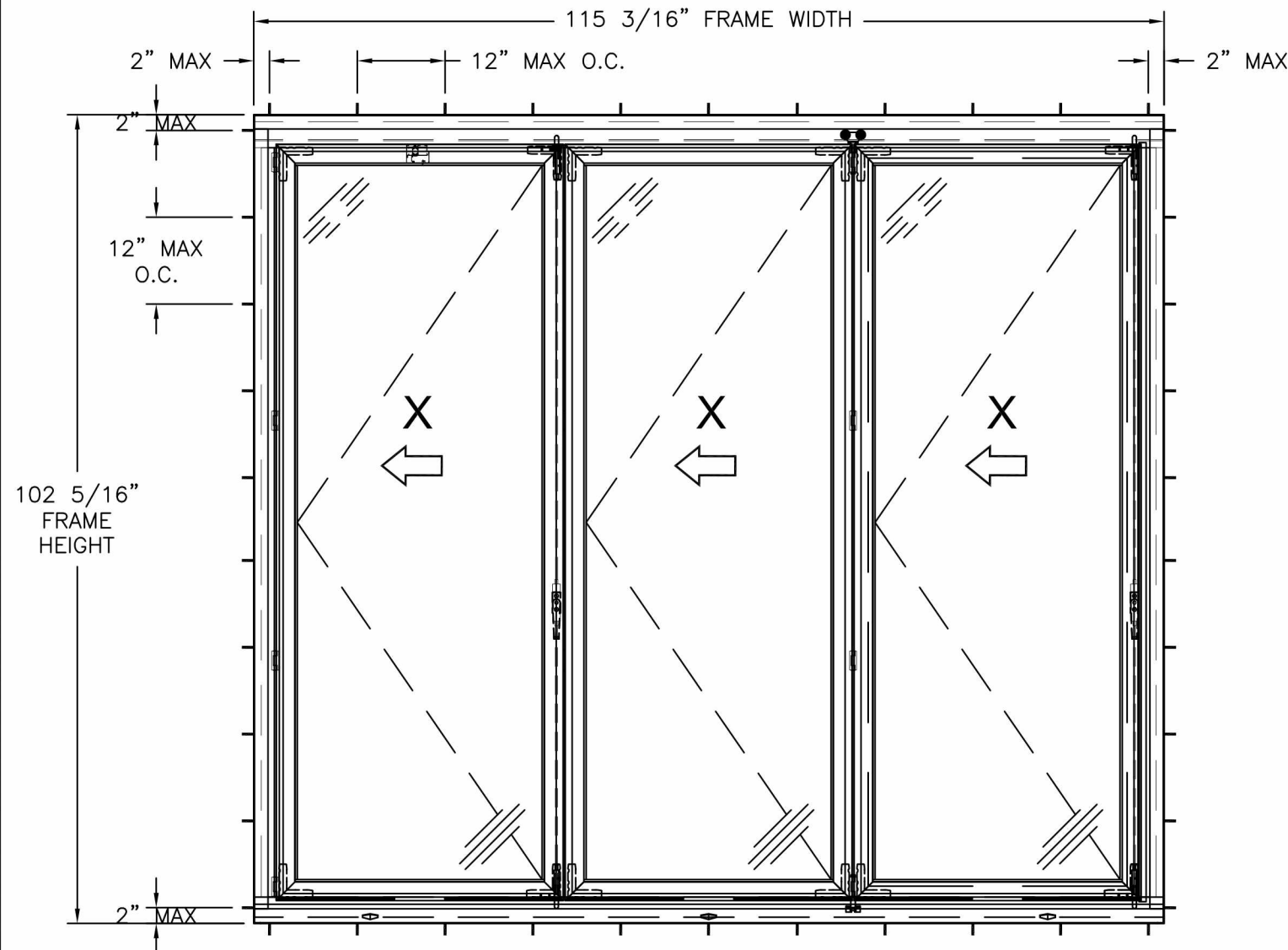
US ALUMINUM DIVISION OF C.R. LAURENCE CO., INC. 2503 E. VERNON AVE., LOS ANGELES, CA 90058		
MONTEREY S80 OUTSWING ALUMINUM BIFOLD DOOR THERMALLY BROKEN W/RAISED TRACK NOTES		
DRAWN: R.L.	DWG NO. 08-02946	REV -
SCALE NTS	DATE 08/31/2016	SHEET 1 OF 5



REVISIONS			
REV	DESCRIPTION	DATE	APPROVED



EXTERIOR



NOTES:

1. MAXIMUM PANEL SIZE: 37 1/16" X 95 13/16"
2. MAXIMUM D.L.O.: 31 3/16" X 90 9/16"

MONTEREY S80 OUTSWING ALUMINUM BIFOLD DOOR
EXTERIOR VIEW

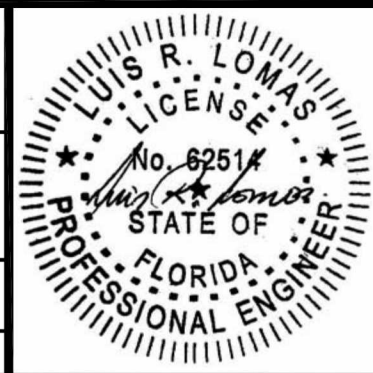
DESIGN PRESSURE RATING	IMPACT RATING
±30.0PSF	NONE

SIGNED: 09/08/2016

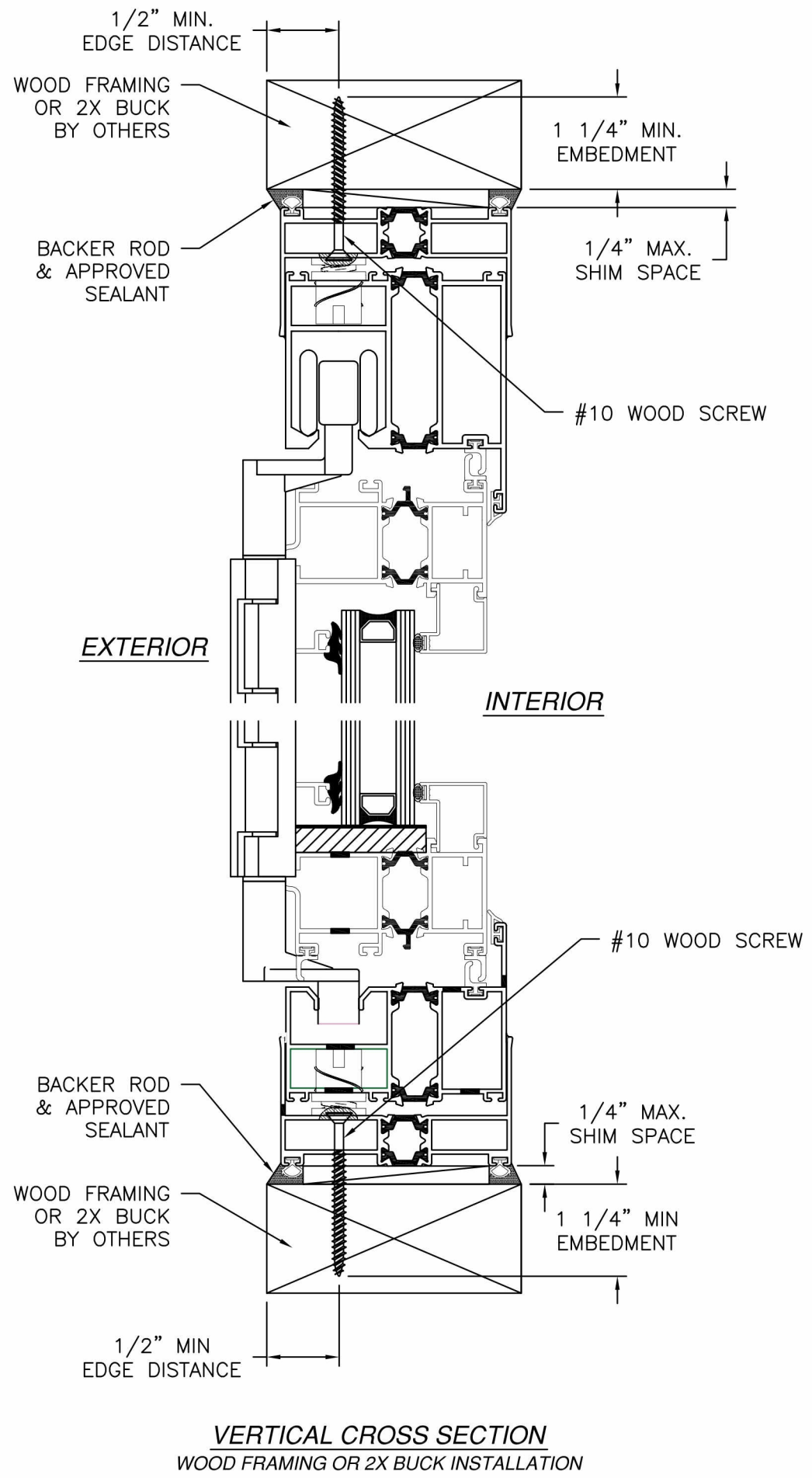
HARDWARE SCHEDULE

A.	(2) LARGE-HANDLE CATCH ASSEMBLY (MDAC350170EXT) AT 40" FROM SILL ON EACH LOCK STILE
B.	(4) CATCH BOLT (MDBOLT) THREADED ONTO THREADED ROD AT TOP AND BOTTOM OF EACH LOCK STILE
C.	(1) BOTTOM HINGE ASSEMBLY (MDAC350153B) AT 1 1/8" FROM BOTTOM RAIL OF STILE OPPOSITE LOCK JAMB STILE
D.	(1) TOP HINGE ASSEMBLY (MDAC350153T) AT 1 1/8" FROM TOP RAIL OF STILE OPPOSITE LOCK JAMB STILE
E.	(6) FIXED HINGE ASSEMBLY (MDAC350150) AT 32 1/2" AND 64" FROM SILL OF EACH PANEL

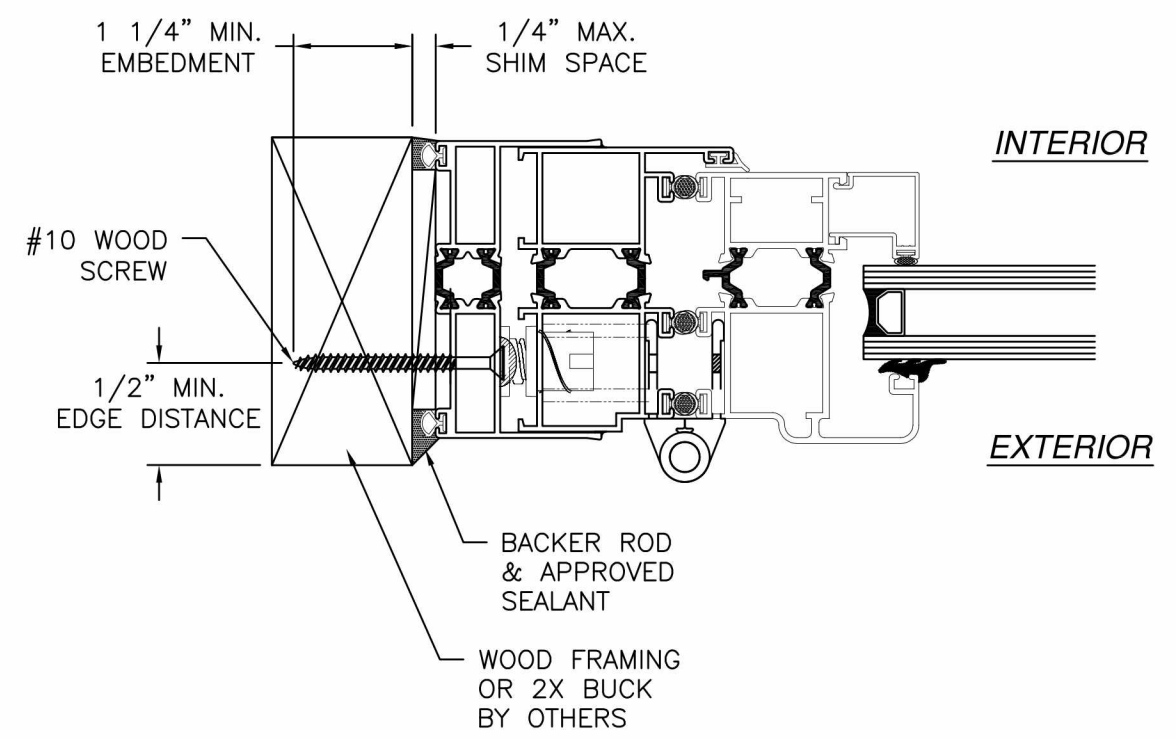
US ALUMINUM DIVISION OF C.R. LAURENCE CO., INC. 2503 E. VERNON AVE., LOS ANGELES, CA 90058		
MONTEREY S80 OUTSWING ALUMINUM BIFOLD DOOR THERMALLY BROKEN W/RAISED TRACK ELEVATION		
DRAWN: R.L.	DWG NO. 08-02946	REV -
SCALE NTS	DATE 08/31/2016	SHEET 2 OF 5



REVISIONS			
REV	DESCRIPTION	DATE	APPROVED



VERTICAL CROSS SECTION
WOOD FRAMING OR 2X BUCK INSTALLATION

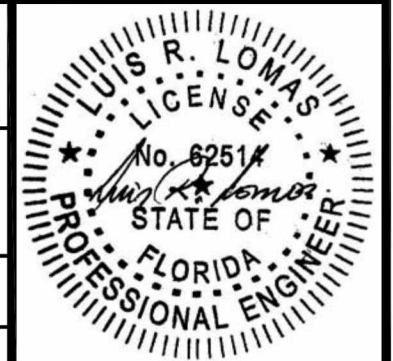


JAMB INSTALLATION DETAIL
WOOD FRAMING OR 2X BUCK INSTALLATION

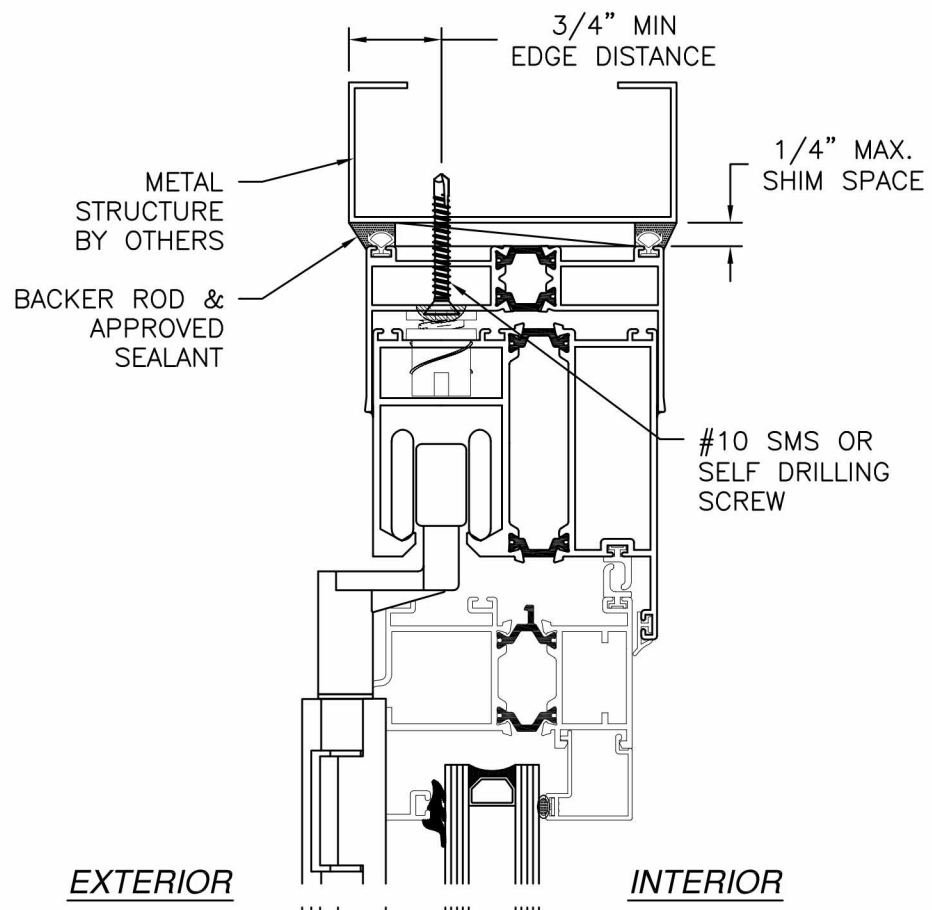
- NOTES:
1. INTERIOR AND EXTERIOR FINISHES, BY OTHERS, NOT SHOWN FOR CLARITY.
 2. PERIMETER AND JOINT SEALANT BY OTHERS TO BE DESIGNED IN ACCORDANCE WITH ASTM E2112

SIGNED: 09/08/2016

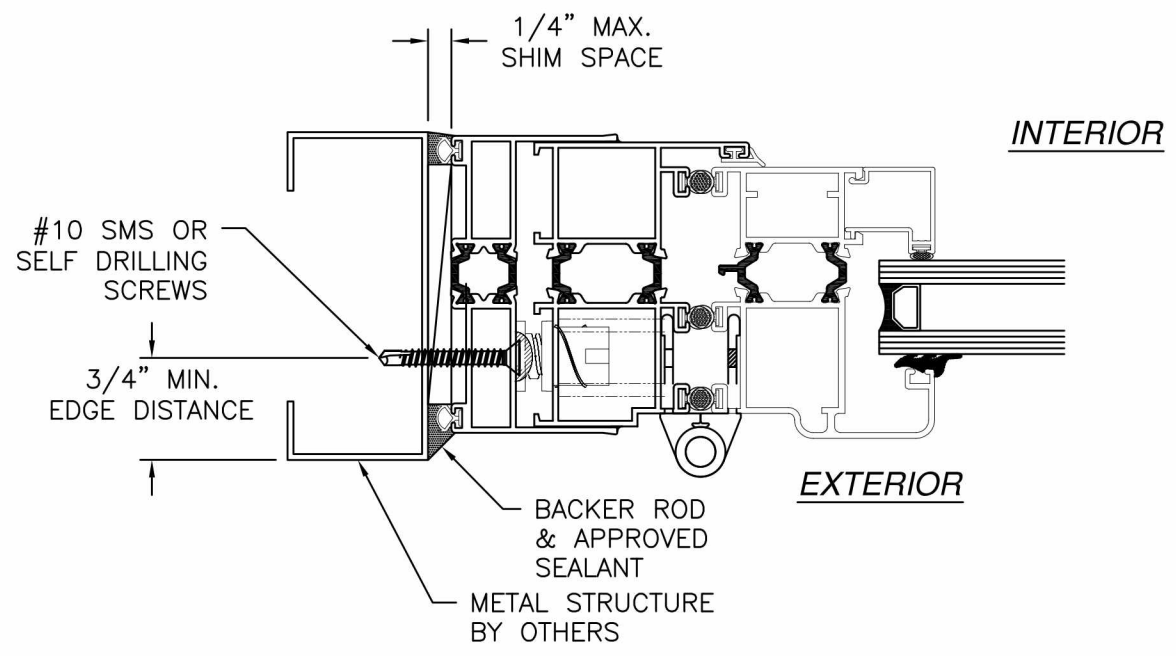
US ALUMINUM DIVISION OF C.R. LAURENCE CO., INC. 2503 E. VERNON AVE., LOS ANGELES, CA 90058		
MONTEREY S80 OUTSWING ALUMINUM BIFOLD DOOR THERMALLY BROKEN W/RAISED TRACK INSTALLATION DETAILS		
DRAWN: R.L.	DWG NO. 08-02946	REV -
SCALE NTS	DATE 08/31/2016	SHEET 3 OF 5



REVISIONS			
REV	DESCRIPTION	DATE	APPROVED



VERTICAL CROSS SECTION
METAL STRUCTURE INSTALLATION



JAMB INSTALLATION DETAIL
METAL STRUCTURE INSTALLATION

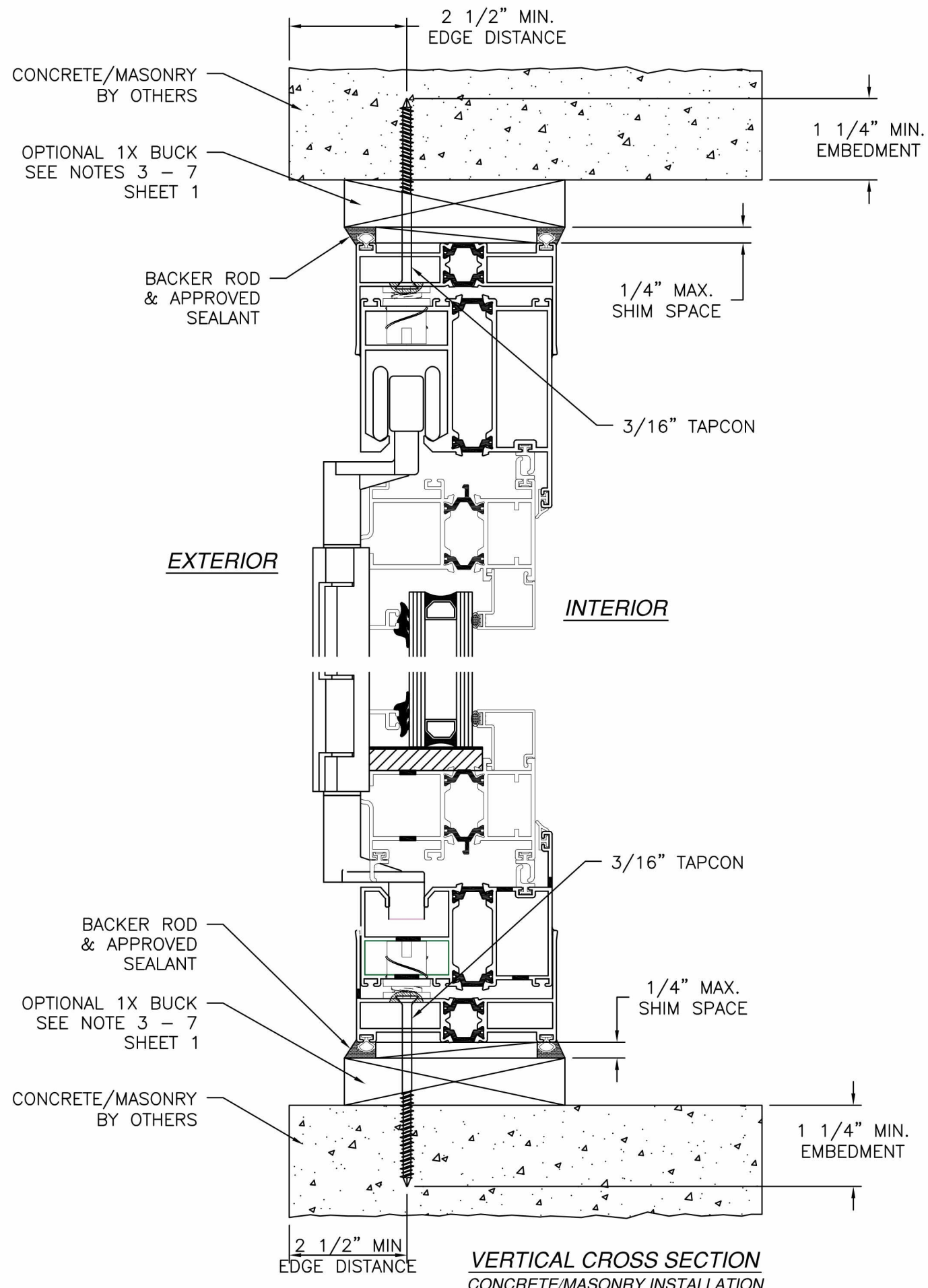
- NOTES:
1. INTERIOR AND EXTERIOR FINISHES, BY OTHERS, NOT SHOWN FOR CLARITY.
 2. PERIMETER AND JOINT SEALANT BY OTHERS TO BE DESIGNED IN ACCORDANCE WITH ASTM E2112

SIGNED: 09/08/2016

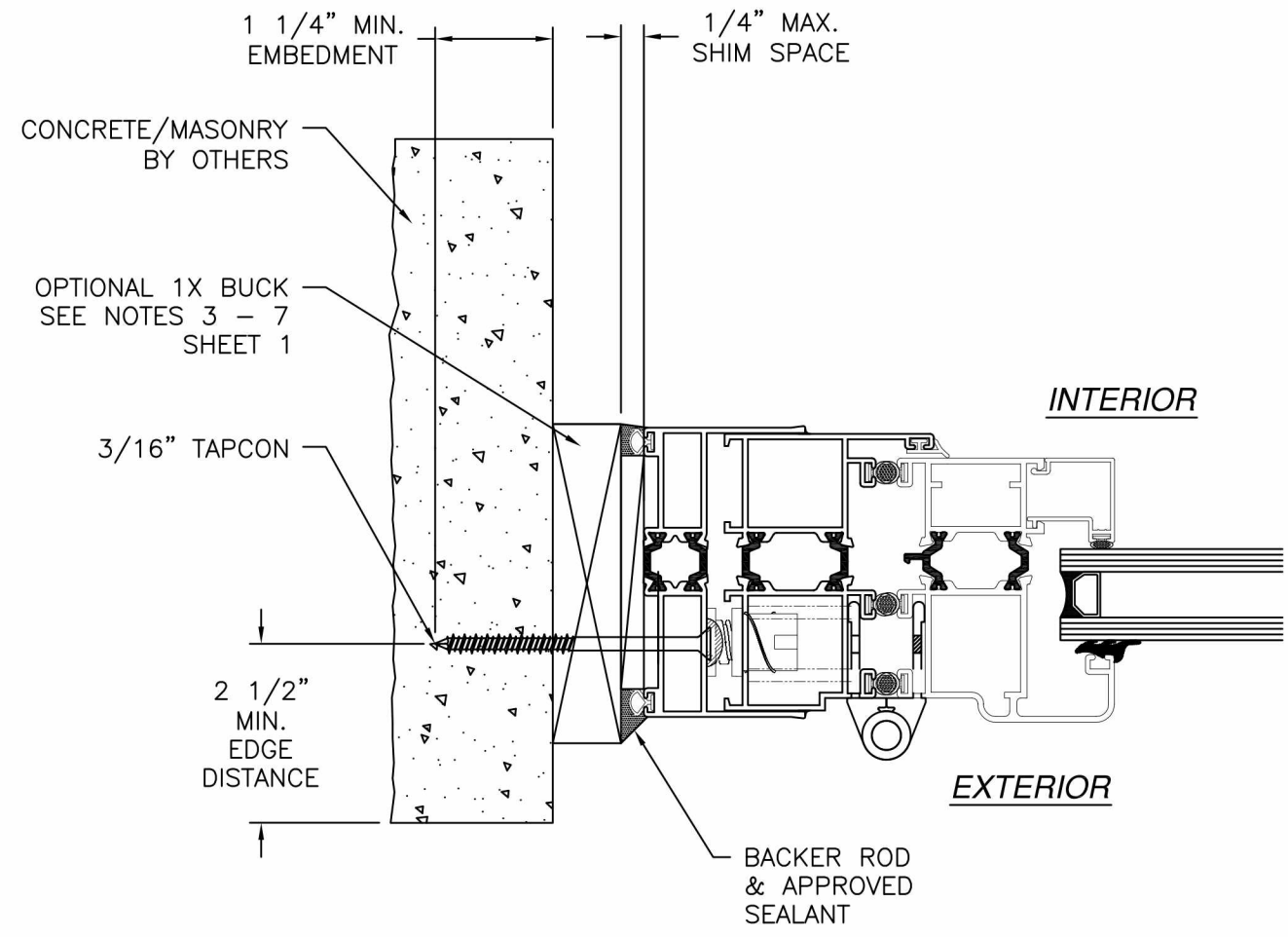
US ALUMINUM DIVISION OF C.R. LAURENCE CO., INC. 2503 E. VERNON AVE., LOS ANGELES, CA 90058		
MONTEREY S80 OUTSWING ALUMINUM BIFOLD DOOR THERMALLY BROKEN W/RAISED TRACK INSTALLATION DETAILS		
DRAWN: R.L.	DWG NO. 08-02946	REV -
SCALE NTS	DATE 08/31/2016	SHEET 4 OF 5



REVISIONS			
REV	DESCRIPTION	DATE	APPROVED



VERTICAL CROSS SECTION
CONCRETE/MASONRY INSTALLATION



JAMB INSTALLATION DETAIL
CONCRETE/MASONRY INSTALLATION

- NOTES:
1. INTERIOR AND EXTERIOR FINISHES, BY OTHERS, NOT SHOWN FOR CLARITY.
 2. PERIMETER AND JOINT SEALANT BY OTHERS TO BE DESIGNED IN ACCORDANCE WITH ASTM E2112

SIGNED: 09/08/2016

US ALUMINUM
DIVISION OF C.R. LAURENCE CO., INC.
2503 E. VERNON AVE., LOS ANGELES, CA 90058

MONTEREY S80 OUTSWING ALUMINUM BIFOLD DOOR
THERMALLY BROKEN W/RAISED TRACK
INSTALLATION DETAILS

DRAWN: R.L.	DWG NO. 08-02946	REV -
SCALE NTS	DATE 08/31/2016	SHEET 5 OF 5

