

TUBELITE, INC.

900RW SERIES THERMAL RIBBON WINDOW (NON-HVHZ)(NON-IMPACT)

TUBELITE
DEPENDABLE

LEADERS IN ECO-EFFICIENT STOREFRONT,
CURTAINWALL AND ENTRANCE SYSTEMS

3056 WALKER RIDGE DRIVE N.W.
WALKER, MICHIGAN 49544
PH: 800 866 2227 FX: 616 301 0008

GENERAL NOTES:

1. THE PRODUCT SHOWN HEREIN IS DESIGNED AND MANUFACTURED TO COMPLY WITH THE CURRENT EDITION FLORIDA BUILDING CODE (FBC), **EXCLUDING** HVHZ AND HAS BEEN EVALUATED ACCORDING TO THE FOLLOWING:

- ASTM E 283-04(12)
- ASTM E 331-00(09)
- ASTM E 330-02
- ASTM E 547-09
- AAMA 501-15

2. ADEQUACY OF THE EXISTING STRUCTURAL CONCRETE/MASONRY, 2X FRAMING AND METAL STUD FRAMING AS A MAIN WIND FORCE RESISTING SYSTEM CAPABLE OF WITHSTANDING AND TRANSFERRING APPLIED PRODUCT LOADS TO THE FOUNDATION IS THE RESPONSIBILITY OF THE ENGINEER OR ARCHITECT OF RECORD FOR THE PROJECT OF INSTALLATION.

3. 1X AND 2X BUCKS (WHEN USED) SHALL BE DESIGNED AND ANCHORED TO PROPERLY TRANSFER ALL LOADS TO THE STRUCTURE. BUCK DESIGN AND INSTALLATION IS THE RESPONSIBILITY OF THE ENGINEER OR ARCHITECT OF RECORD FOR THE PROJECT OF INSTALLATION.

4. THE INSTALLATION DETAILS DESCRIBED HEREIN ARE GENERIC AND MAY NOT REFLECT ACTUAL CONDITIONS FOR A SPECIFIC SITE. IF SITE CONDITIONS CAUSE INSTALLATION TO DEVIATE FROM THE REQUIREMENTS DETAILED HEREIN, A LICENSED ENGINEER OR ARCHITECT SHALL PREPARE SITE SPECIFIC DOCUMENTS FOR USE WITH THIS DOCUMENT.

5. APPROVED IMPACT PROTECTIVE SYSTEM **IS REQUIRED** ON THIS PRODUCT IN AREAS REQUIRING IMPACT RESISTANCE.

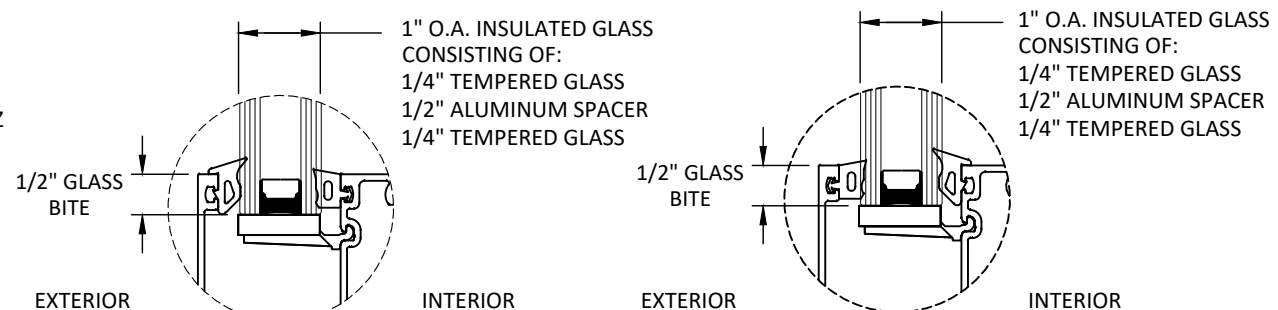
6. WINDOW WALL FRAME MATERIAL: ALUMINUM 6063-T6

7. ALL STRUCTURAL MATERIALS & DISSIMILAR METALS SHALL BE PROTECTED, TREATED, PAINTED, COATED, AND/OR ISOLATED AS REQUIRED IN THE APPLICABLE SECTIONS OF THE CURRENT FLORIDA BUILDING CODE AND REFERENCED DESIGN SPECIFICATIONS.

8. GLASS MEETS THE REQUIREMENTS OF ASTM E 1300 GLASS CHARTS. SEE SHEET 1 FOR GLAZING DETAILS.

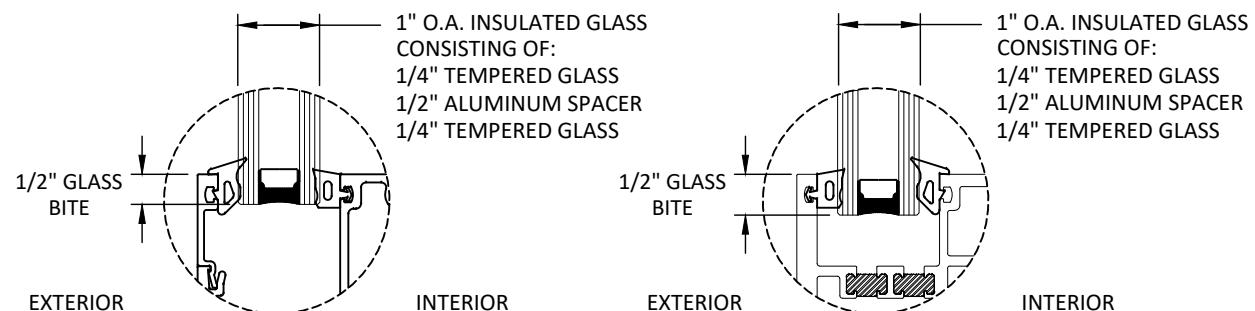
9. GLASS SHALL BE SET WITH THE USE OF SETTING BLOCKS IN ACCORDANCE WITH CHAPTER 24 OF THE CURRENT FLORIDA BUILDING CODE.

10. GLAZING GASKETS SHALL MEET THE MINIMUM PERFORMANCE REQUIREMENTS AS APPLICABLE IN CHAPTER 24 OF THE FLORIDA BUILDING CODE.



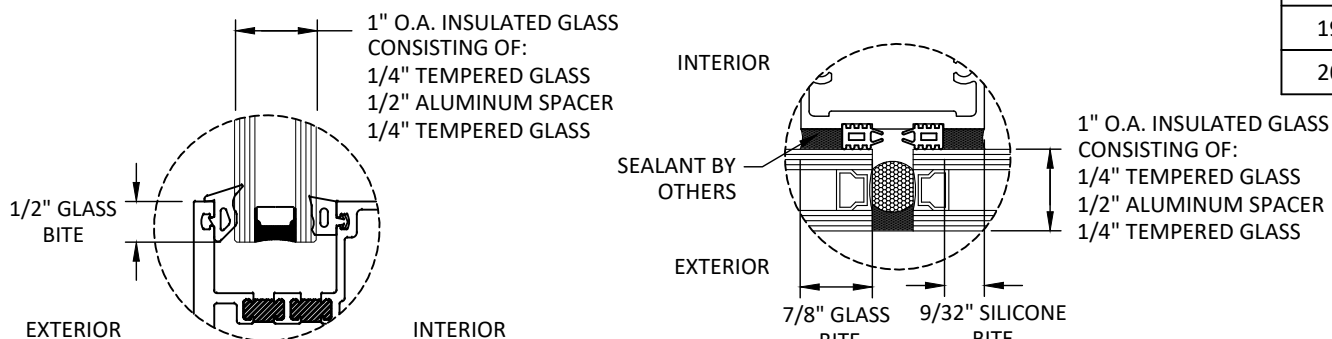
A
1
GLAZING DETAIL 1
SILL OUTSIDE GLAZED

B
1
GLAZING DETAIL 2
SILL INSIDE GLAZED



C
1
GLAZING DETAIL 3
HEAD OUTSIDE GLAZED

D
1
GLAZING DETAIL 4
HEAD/JAMB/MULLION INSIDE GLAZED



E
1
GLAZING DETAIL 5
MULLION/JAMB OUTSIDE GLAZED

F
1
GLAZING DETAIL 6
STRUCTURAL GLAZING

GLAZING NOTES:

1. GLASS TYPE SHALL COMPLY WITH ASTM E1300 REQUIREMENTS AS WELL AS APPLICABLE SAFETY GLAZING REQUIREMENTS PER THE FBC. TEMPER AND SAFETY GLAZING REQUIREMENTS SHALL BE REVIEWED ON A SITE SPECIFIC BASIS.
2. SETTING BLOCK DUROMETER HARDNESS OF 70-90 (SHORE A) AS REFERENCED IN FBC CHAPTER 24.
3. TWO APPROVED SETTING BLOCKS SHALL BE USED FOR GLASS WIDER THAN 36" AS PER FBC CHAPTER 24.
4. D.L.O. AND DESIGN PRESSURES MAY NOT EXCEED MAX VALUES IN SIZE CHARTS.

TABLE OF CONTENTS

SHEET	SHEET DESCRIPTION
1	GENERAL NOTES & GLAZING DETAILS
2	ELEVATIONS
3	6" SYSTEM INSIDE GLAZED HORIZONTAL DETAILS
4	6" SYSTEM OUTSIDE GLAZED HORIZONTAL DETAILS
5	4-1/2" SYSTEM INSIDE GLAZED HORIZONTAL DETAILS
6	4-1/2" SYSTEM OUTSIDE GLAZED HORIZONTAL DETAILS
7	6" SYSTEM INSIDE GLAZED VERTICAL DETAILS DESIGN PRESSURE
8	6" SYSTEM OUTSIDE GLAZED VERTICAL DETAILS DESIGN PRESSURE
9	6" SYSTEM OUTSIDE/INSIDE GLAZED EXPANSION VERTICAL DETAILS DESIGN PRESSURE
10	4-1/2" SYSTEM INSIDE GLAZED VERTICAL DETAILS DESIGN PRESSURE
11	4-1/2" SYSTEM OUTSIDE GLAZED VERTICAL DETAILS DESIGN PRESSURE
12	4-1/2" SYSTEM OUTSIDE/INSIDE GLAZED EXPANSION VERTICAL DETAILS DESIGN PRESSURE
13	6" SYSTEM CORNER OPTIONS
14	4-1/2" SYSTEM CORNER OPTIONS
15	6" SYSTEM INSIDE GLAZED DETAILS WITH SLAB COVER OPTION
16	6" SYSTEM OUTSIDE GLAZED DETAILS WITH SLAB COVER OPTION
17	4-1/2" SYSTEM INSIDE AND OUTSIDE GLAZED DETAILS WITH SLAB COVER OPTION
18	ANCHOR LOAD CAPACITY
19	ANCHOR CONFIGURATIONS
20	ANCHOR DETAILS AND INSTALLATION NOTES

MISSILE IMPACT RATING	DESIGN PRESSURE
NOT IMPACT RATED	SEE SHEETS 3, 5, 7-12, & 18 FOR DESIGN PRESSURE LIMITATIONS

INSTRUCTIONS FOR USE:

1. DETERMINE DESIGN WIND LOAD REQUIREMENTS BASED ON WIND VELOCITY, BUILDING HEIGHT, WIND ZONE, USING APPLICABLE ASCE 7 STANDARD.
2. CHECK MULLION CAPACITY FOR A GIVEN WIDTH AND HEIGHT USING CHARTS ON SHEETS 7-12 FOR VERTICAL MULLIONS, AND SHEETS 3 & 5 FOR HORIZONTAL MULLIONS, IF APPLICABLE. THE CAPACITY SHOULD EXCEED THE DESIGN LOAD.
3. USING CHART ON SHEET 18, SELECT ANCHOR OPTION WITH DESIGN RATING MORE THAN DESIGN LOAD SPECIFIED IN STEP 1 ABOVE.
4. THE LOWEST VALUE RESULTING FROM STEP 2 AND 3 SHALL APPLY TO ENTIRE SYSTEM.

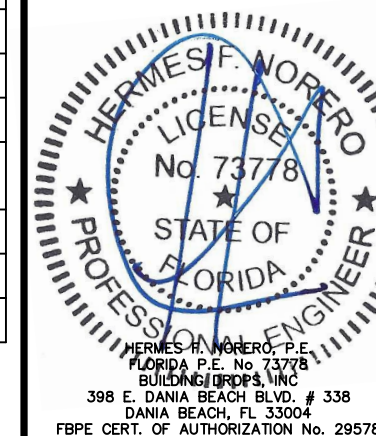
TITLE: 900RW SERIES THERMAL RIBBON WINDOW (NON-HVHZ)(NON-IMPACT)

GENERAL NOTES & GLAZING DETAILS

PREPARED BY:
BUILDING DROPS, INC.
398 E. DANIA BEACH BLVD., STE. 338
DANIA BEACH, FL 33004
PH: (954) 959-8478
FAX: (954) 744-4738
WEB: www.buildingdrops.com

REMARKS	BY	DATE
FBC 2020 UPDATE	LL	10/5

THE INSTALLATION DETAILS DESCRIBED HEREIN ARE GENERIC AND MAY NOT REFLECT ACTUAL CONDITIONS FOR A SPECIFIC SITE. IF SITE CONDITIONS CAUSE INSTALLATION TO DEVIATE FROM THE REQUIREMENTS DETAILED HEREIN, A LICENSED ENGINEER OR ARCHITECT SHALL PREPARE SITE SPECIFIC DOCUMENTS FOR USE WITH THIS DOCUMENT



FL #: **FL21062**

DATE: **12.10.19**

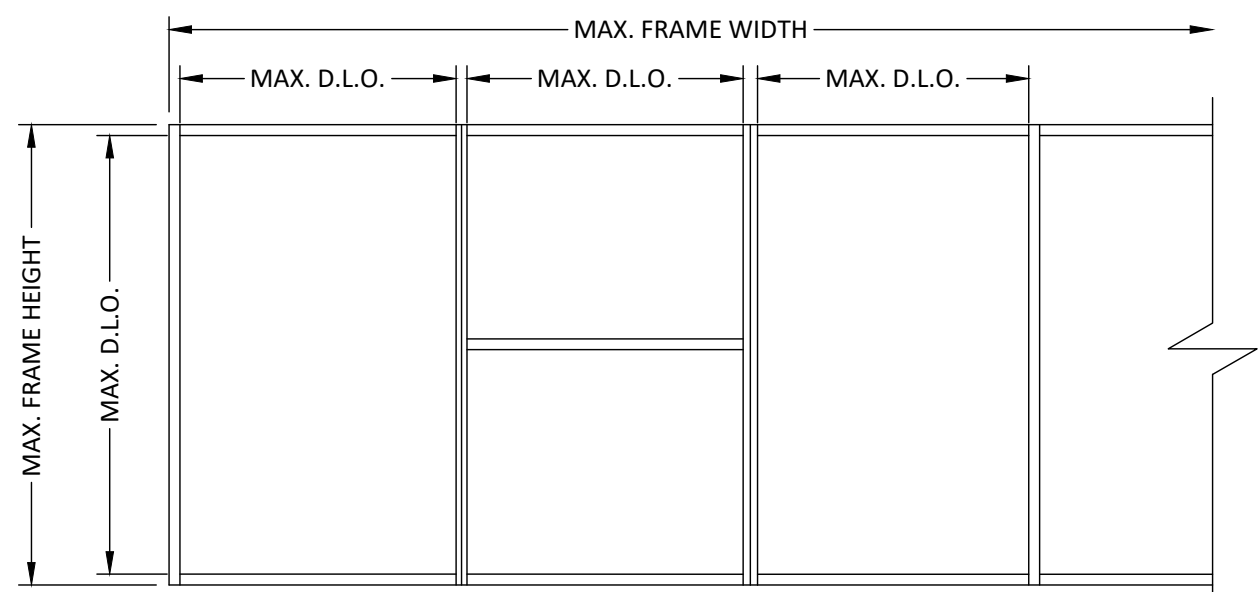
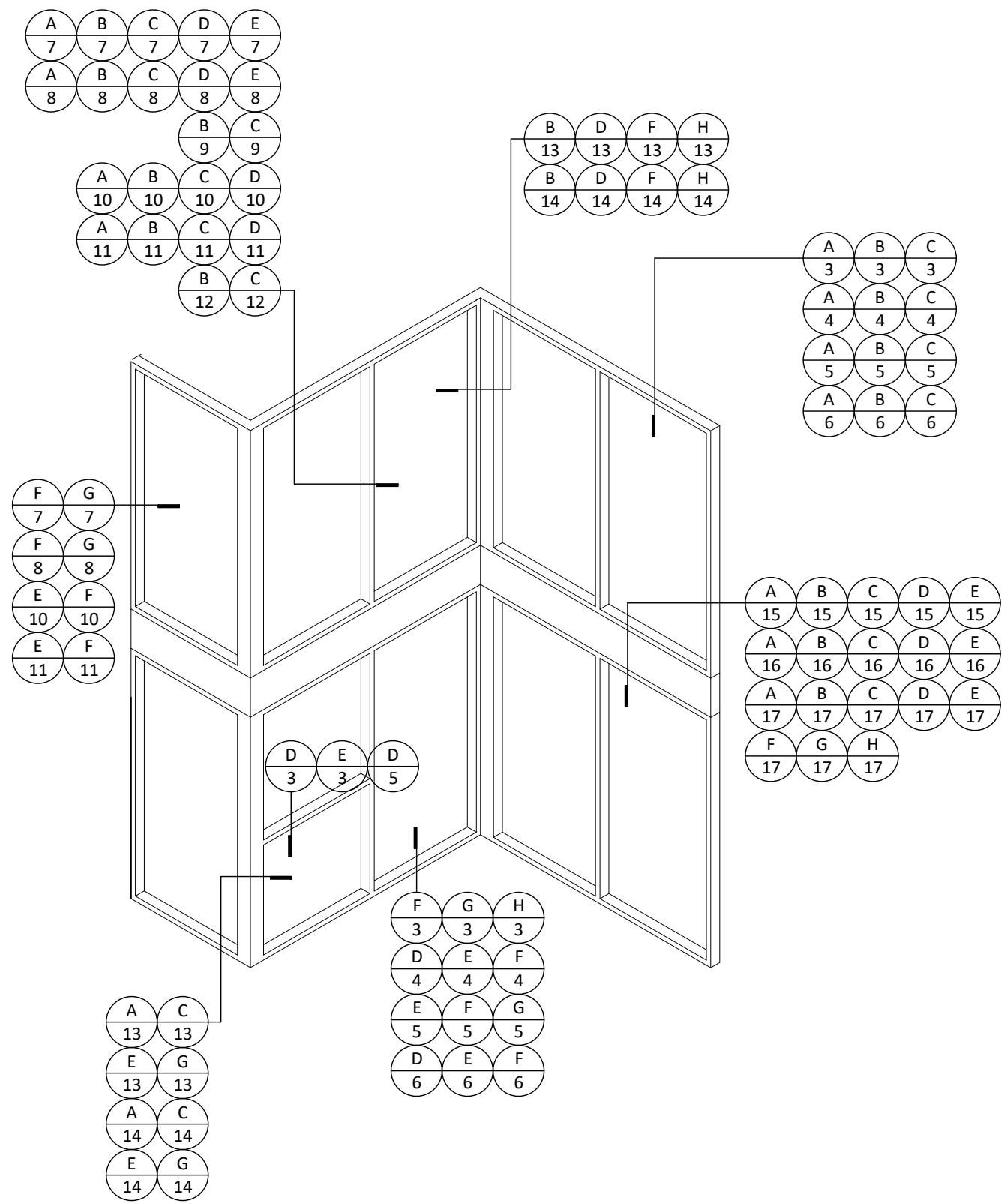
DWG. BY: **JA** CHK. BY: **HFN**

SCALE: **NTS**

DWG. #: **TLI002**

SECTION

1



A
2 WINDOW WALL
ELEVATION

TUBELITE®
DEPENDABLE

LEADERS IN ECO-EFFICIENT STOREFRONT,
CURTAINWALL AND ENTRANCE SYSTEMS

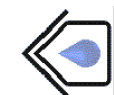
3056 WALKER RIDGE DRIVE N.W.
WALKER, MICHIGAN 49544
PH: 800 866 2227 FX: 616 301 0008

TITLE: 900RW SERIES THERMAL
RIBBON WINDOW
(NON-HVHZ)/(NON-IMPACT)

ELEVATIONS

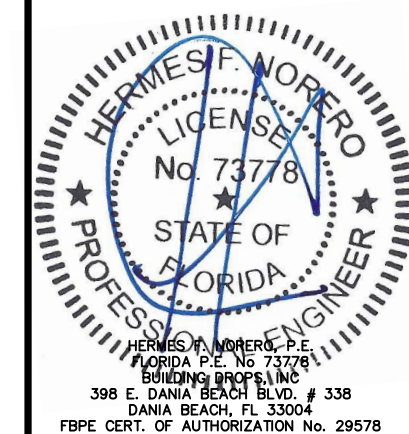
PREPARED BY:
BUILDING DROPS, INC.

398 E. DANIA BEACH BLVD., STE. 338
DANIA BEACH, FL 33004
PH: (954) 399-8478
FAX: (954) 744-4738
WEB: www.buildingdrops.com



REMARKS	BY	DATE
FBC 2020 UPDATE	LL	10/5

THE INSTALLATION DETAILS DESCRIBED HEREIN ARE GENERIC AND MAY NOT REFLECT ACTUAL CONDITIONS FOR A SPECIFIC SITE. IF SITE CONDITIONS CAUSE INSTALLATION TO DEVIATE FROM THE REQUIREMENTS DETAILED HEREIN, A LICENSED ENGINEER OR ARCHITECT SHALL PREPARE SITE SPECIFIC DOCUMENTS FOR USE WITH THIS DOCUMENT



FL #:
FL21062

DATE: **12.10.19**

DWG. BY: **JA** CHK. BY: **HFN**

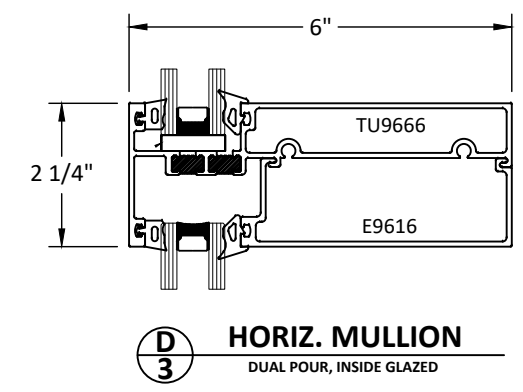
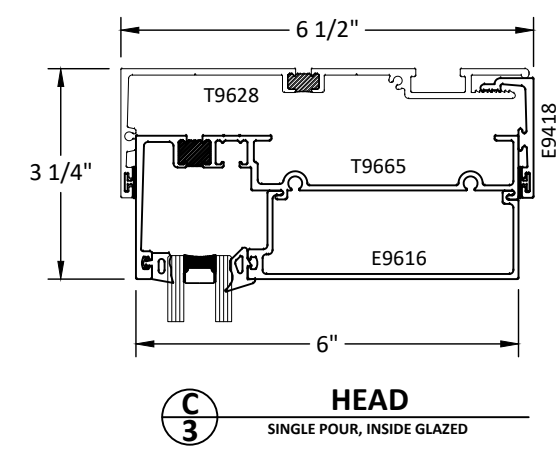
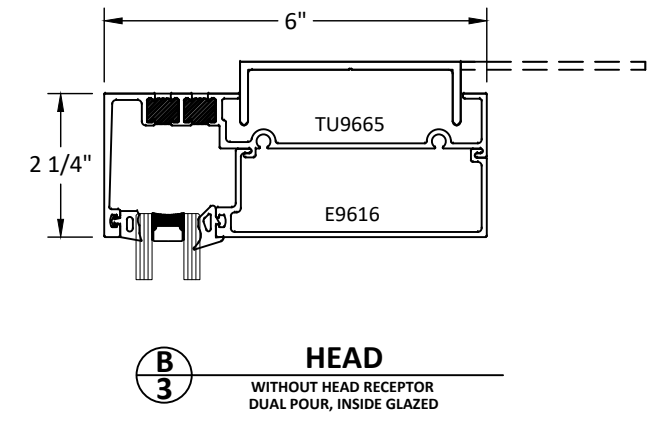
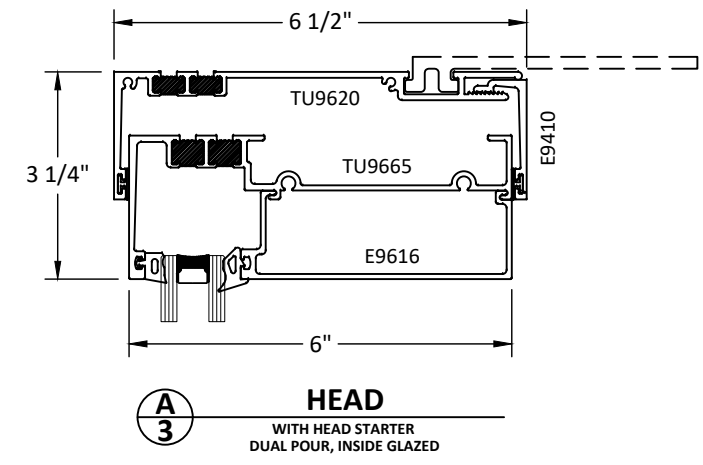
SCALE: **NTS**

DWG. #: **TLI002**

SECTION
2

12/21/2020 9:03 AM

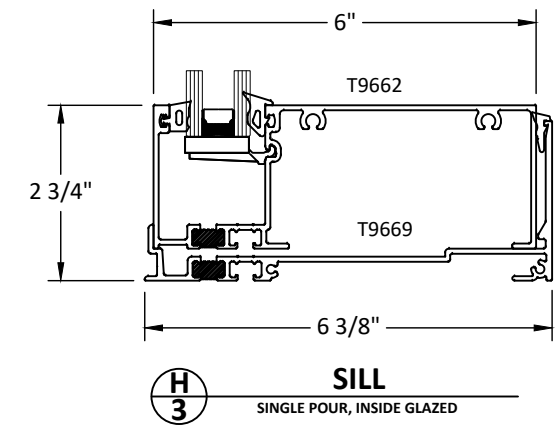
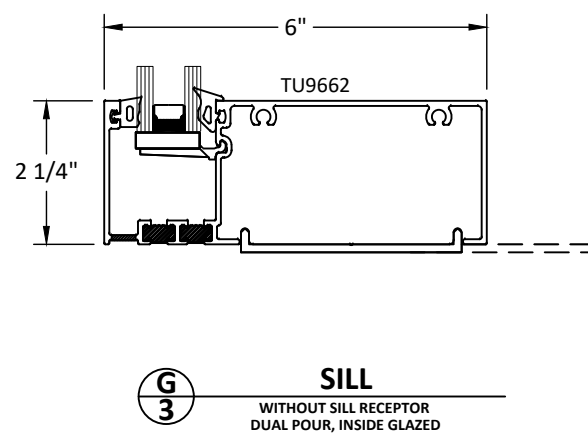
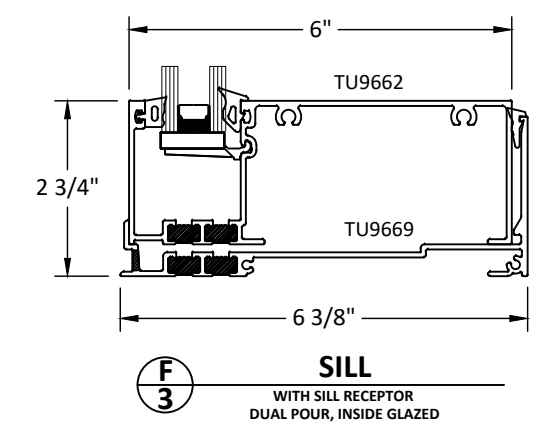
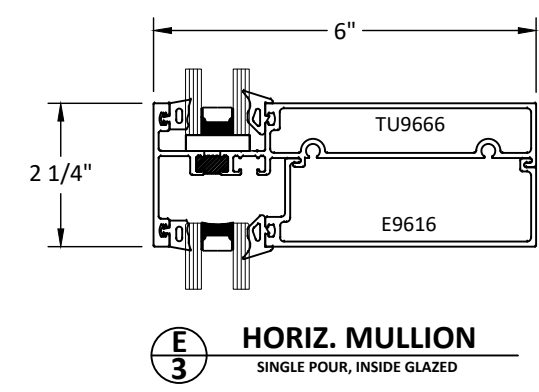
INSIDE GLAZED HORIZONTAL DETAILS



DESIGN PRESSURE TABLE:
HORIZONTAL MEMBER

MEMBER SPAN "W"	MAX. HEIGHT ABOVE HORIZ.	DESIGN PRESSURE (PSF)
60	36	+46 / -34
60	48	+40 / -30
60	60	+38 / -28

NOTE: HORIZONTAL MEMBER CAPACITY IS LIMITED BY SINGLE SPAN.



NOTE:
SINGLE POUR VERSIONS OF ALL
DUAL POURS APPLY. UNIQUE SINGLE
POUR OPTIONS ALSO SHOWN

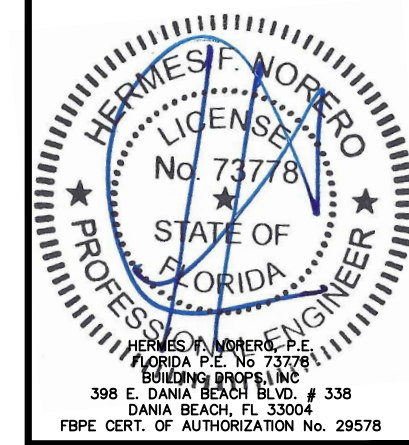
TUBELITE
DEPENDABLE
LEADERS IN ECO-EFFICIENT STOREFRONT,
CURTAINWALL AND ENTRANCE SYSTEMS

3056 WALKER RIDGE DRIVE N.W.
WALKER, MICHIGAN 49544
PH: 800 866 2227 FX: 616 301 0008

TITLE: 900RW SERIES THERMAL
RIBBON WINDOW
(NON-HVHZ)/(NON-IMPACT)
6" SYSTEM INSIDE GLAZED
HORIZONTAL DETAILS
PREPARED BY:
BUILDING DROPS, INC.
398 E. DANIA BEACH BLVD., STE. 338
DANIA BEACH, FL 33004
PH: (954) 399-8478
FAX: (954) 744-4738
WEB: www.buildingdrops.com

REMARKS	BY	DATE
FBC 2020 UPDATE	LL	10/5

THE INSTALLATION DETAILS DESCRIBED HEREIN ARE GENERIC AND MAY NOT REFLECT ACTUAL CONDITIONS FOR A SPECIFIC SITE. IF SITE CONDITIONS CAUSE INSTALLATION TO DEVIATE FROM THE REQUIREMENTS DETAILED HEREIN, A LICENSED ENGINEER OR ARCHITECT SHALL PREPARE SITE SPECIFIC DOCUMENTS FOR USE WITH THIS DOCUMENT

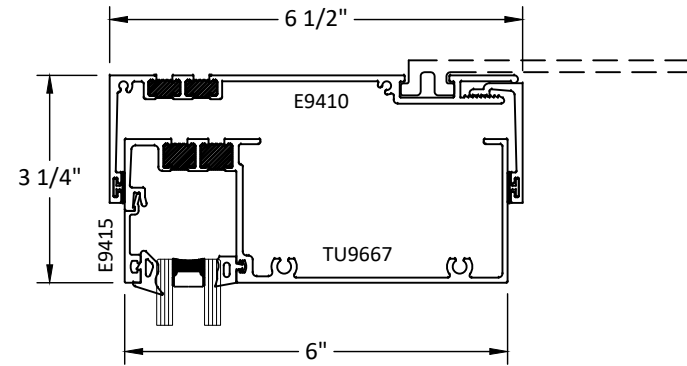


FL #:	FL21062
DATE:	12.10.19
DWG. BY:	JA
CHK. BY:	HFN
SCALE:	NTS
DWG. #:	TLI002
SECTION	3

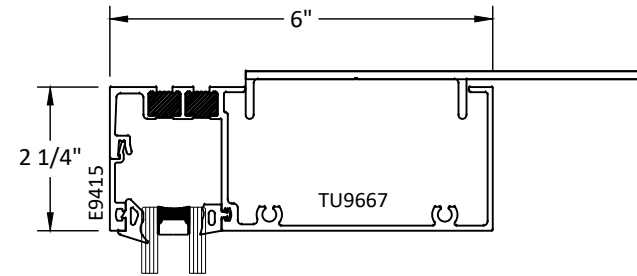
c:\Users\ps0\OneDrive - building drops, inc\T002 2020-12-21.dwg

12/21/2020 9:04 AM

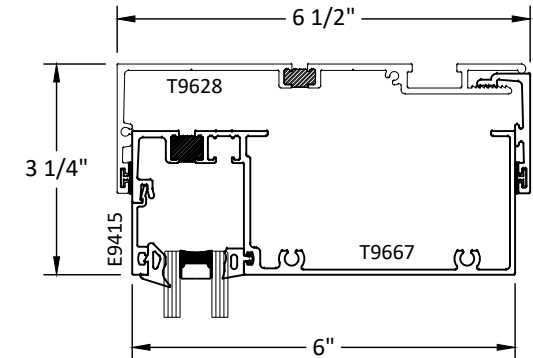
6" OUTSIDE GLAZED HORIZONTAL DETAILS



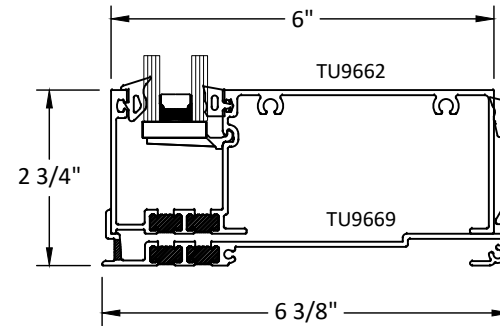
A
4
HEAD
WITH HEAD RECEPTOR
DUAL POUR, OUTSIDE GLAZED



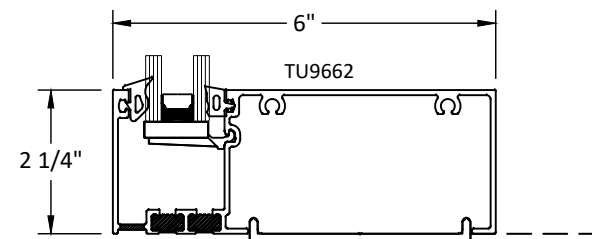
B
4
HEAD
WITHOUT HEAD RECEPTOR
DUAL POUR, OUTSIDE GLAZED



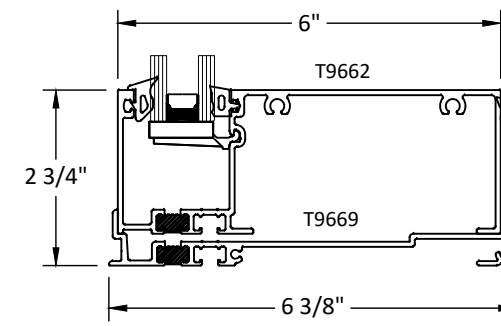
C
4
HEAD
SINGLE POUR, OUTSIDE GLAZED



D
4
SILL
WITH SILL RECEPTOR
DUAL POUR, OUTSIDE GLAZED



E
4
SILL
WITHOUT SILL RECEPTOR
DUAL POUR, OUTSIDE GLAZED



F
4
SILL
SINGLE POUR, OUTSIDE GLAZED

NOTE:
SINGLE POUR VERSIONS OF ALL
DUAL POURS APPLY. UNIQUE SINGLE
POUR OPTIONS ALSO SHOWN

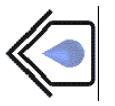
TUBELITE®
DEPENDABLE

LEADERS IN ECO-EFFICIENT STOREFRONT,
CURTAINWALL AND ENTRANCE SYSTEMS

3056 WALKER RIDGE DRIVE N.W.
WALKER, MICHIGAN 49544
PH: 800 866 2227 FX: 616 301 0008

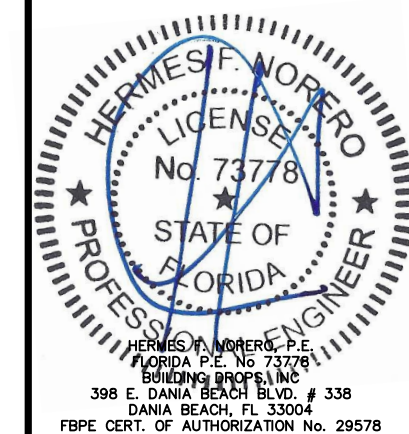
TITLE: 900RW SERIES THERMAL
RIBBON WINDOW
(NON-HVHZ)/(NON-IMPACT)
6" SYSTEM OUTSIDE GLAZED
HORIZONTAL DETAILS

PREPARED BY:
BUILDING DROPS, INC.
398 E. DANIA BEACH BLVD., STE. 338
DANIA BEACH, FL 33004
PH: (954) 399-8478
FAX: (954) 744-4738
WEB: www.buildingdrops.com



REMARKS	BY	DATE
FBC 2020 UPDATE	LL	10/5

THE INSTALLATION DETAILS DESCRIBED HEREIN ARE GENERIC AND MAY NOT REFLECT ACTUAL CONDITIONS FOR A SPECIFIC SITE. IF SITE CONDITIONS CAUSE INSTALLATION TO DEVIATE FROM THE REQUIREMENTS DETAILED HEREIN, A LICENSED ENGINEER OR ARCHITECT SHALL PREPARE SITE SPECIFIC DOCUMENTS FOR USE WITH THIS DOCUMENT



FL #:
FL21062

DATE: **12.10.19**

DWG. BY: **JA** CHK. BY: **HFN**

SCALE: **NTS**

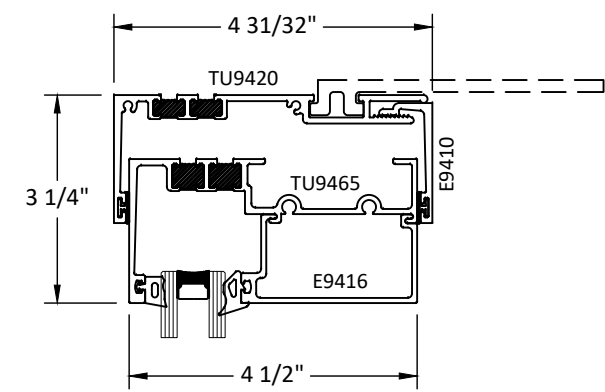
DWG. #: **TLI002**

SECTION
4

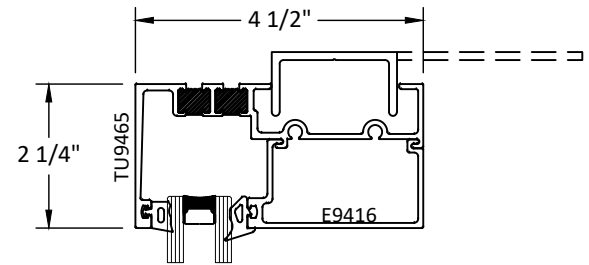
c:\Users\jps50\oneoffice - building drops - inc\l\002 2020-12-21.dwg

12/21/2020 9:04 AM

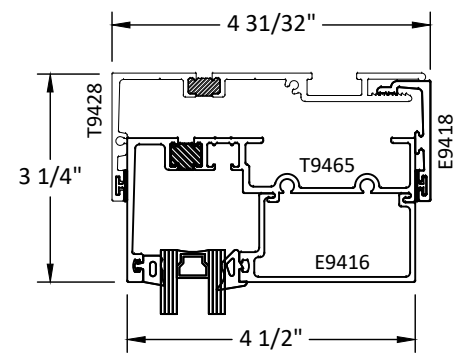
4-1/2" INSIDE GLAZED HORIZONTAL DETAILS



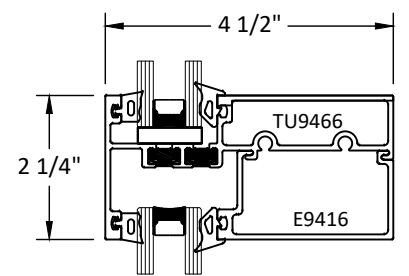
A
5
HEAD
WITH HEAD STARTER
DUAL POUR, INSIDE GLAZED



B
5
HEAD
WITHOUT HEAD RECEPTOR
DUAL POUR, INSIDE GLAZED



C
5
HEAD
SINGLE POUR, INSIDE GLAZED

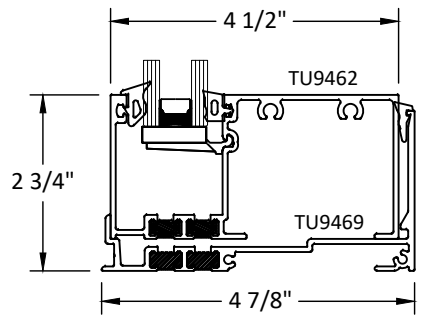


D
5
HORIZ. MULLION
DUAL POUR, INSIDE GLAZED

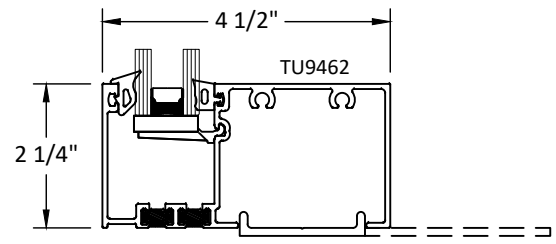
DESIGN PRESSURE TABLE:
HORIZONTAL MEMBER

MEMBER SPAN "W"	MAX. HEIGHT ABOVE HORIZ.	DESIGN PRESSURE (PSF)
48	36	+45 / -33
48	48	+39 / -30
48	60	+37 / -28

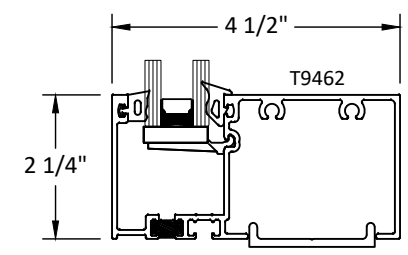
NOTE: HORIZONTAL MEMBER CAPACITY IS LIMITED BY SINGLE SPAN.



E
5
SILL
WITH SILL RECEPTOR
DUAL POUR, INSIDE GLAZED



F
5
SILL
WITHOUT SILL RECEPTOR
DUAL POUR, INSIDE GLAZED



G
5
SILL
SINGLE POUR, INSIDE GLAZED

NOTE:
SINGLE POUR VERSIONS OF ALL
DUAL POURS APPLY. UNIQUE SINGLE
POUR OPTIONS ALSO SHOWN

TUBELITE
DEPENDABLE
LEADERS IN ECO-EFFICIENT STOREFRONT,
CURTAINWALL AND ENTRANCE SYSTEMS

3056 WALKER RIDGE DRIVE N.W.
WALKER, MICHIGAN 49544
PH: 800 866 2227 FX: 616 301 0008

TITLE: 900RW SERIES THERMAL
RIBBON WINDOW
(NON-HVHZ)/(NON-IMPACT)

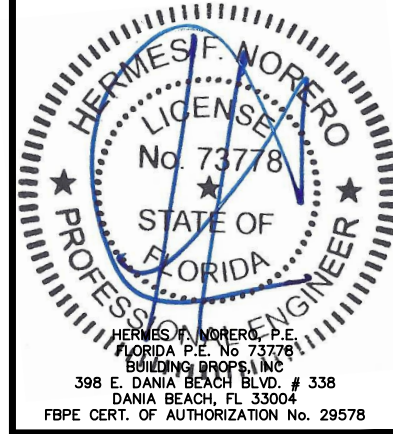
4-1/2" SYSTEM INSIDE GLAZED
HORIZONTAL DETAILS

PREPARED BY:
BUILDING DROPS, INC.
398 E. DANIA BEACH BLVD., STE. 338
DANIA BEACH, FL 33004
PH: (954) 395-8478
FAX: (954) 744-4738
WEB: www.buildingdrops.com



REMARKS	BY	DATE
FBC 2020 UPDATE	LL	10/5

THE INSTALLATION DETAILS DESCRIBED HEREIN ARE GENERIC AND MAY NOT REFLECT ACTUAL CONDITIONS FOR A SPECIFIC SITE. IF SITE CONDITIONS CAUSE INSTALLATION TO DEVIATE FROM THE REQUIREMENTS DETAILED HEREIN, A LICENSED ENGINEER OR ARCHITECT SHALL PREPARE SITE SPECIFIC DOCUMENTS FOR USE WITH THIS DOCUMENT



FL #:
FL21062

DATE: **12.10.19**

DWG. BY: **JA** CHK. BY: **HFN**

SCALE: **NTS**

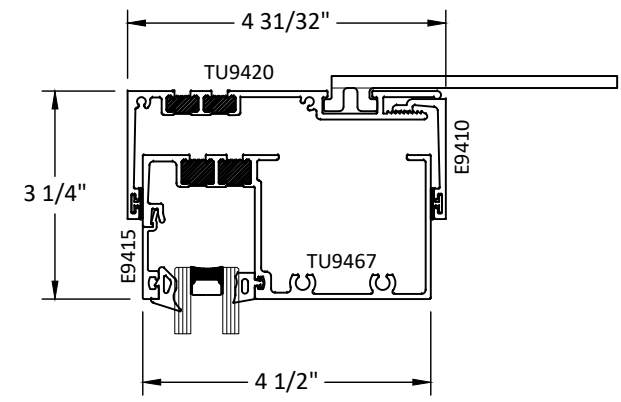
DWG. #: **TLI002**

SECTION
5

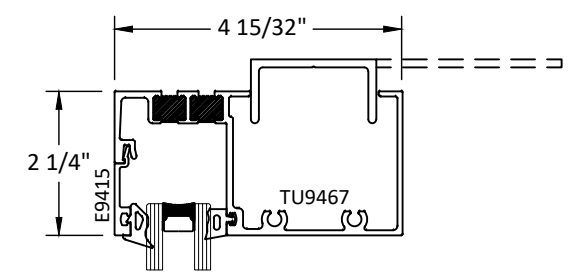
c:\Users\ps50\oneoffice - building drops - inc\T002 2020-12-21.dwg

12/21/2020 9:04 AM

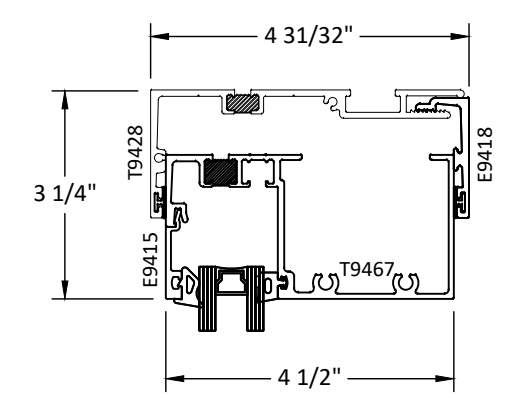
4-1/2" OUTSIDE GLAZED HORIZONTAL DETAILS



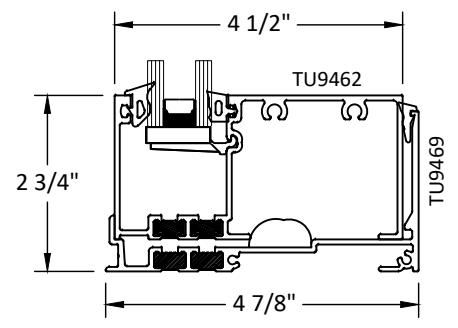
A
6
HEAD
WITH HEAD RECEPTOR
DUAL POUR, OUTSIDE GLAZED



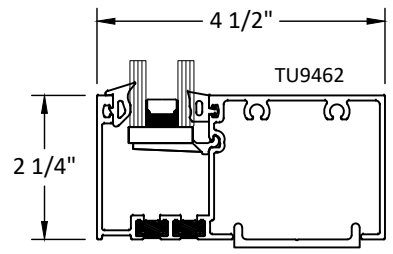
B
6
HEAD
WITHOUT HEAD RECEPTOR
DUAL POUR, OUTSIDE GLAZED



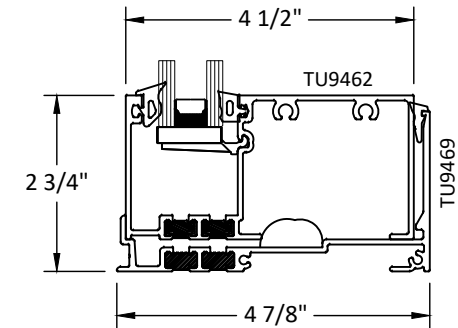
C
6
HEAD
SINGLE POUR, OUTSIDE GLAZED



D
6
SILL
WITH SILL RECEPTOR
DUAL POUR, OUTSIDE GLAZED



E
6
SILL
WITHOUT SILL RECEPTOR
DUAL POUR, OUTSIDE GLAZED



F
6
SILL
SINGLE POUR, OUTSIDE GLAZED

NOTE:
SINGLE POUR VERSIONS OF ALL
DUAL POURS APPLY. UNIQUE SINGLE
POUR OPTIONS ALSO SHOWN

TUBELITE
DEPENDABLE
LEADERS IN ECO-EFFICIENT STOREFRONT,
CURTAINWALL AND ENTRANCE SYSTEMS

3056 WALKER RIDGE DRIVE N.W.
WALKER, MICHIGAN 49544
PH: 800 866 2227 FX: 616 301 0008

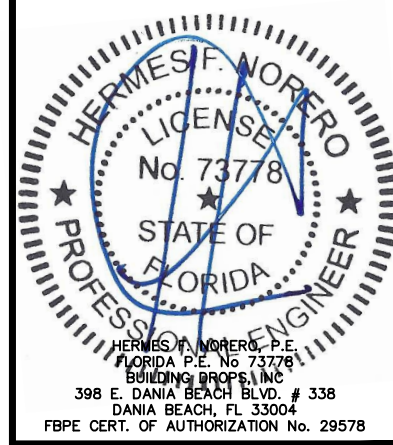
TITLE: 900RW SERIES THERMAL
RIBBON WINDOW
(NON-HVHZ)/(NON-IMPACT)
4-1/2" SYSTEM OUTSIDE GLAZED
HORIZONTAL DETAILS

PREPARED BY:
BUILDING DROPS, INC.
398 E. DANIA BEACH BLVD., STE. 338
DANIA BEACH, FL 33004
PH: (954) 395-8478
FAX: (954) 744-4738
WEB: www.buildingdrops.com



REMARKS	BY	DATE
FBC 2020 UPDATE	LL	10/5

THE INSTALLATION DETAILS DESCRIBED HEREIN ARE GENERIC AND MAY NOT REFLECT ACTUAL CONDITIONS FOR A SPECIFIC SITE. IF SITE CONDITIONS CAUSE INSTALLATION TO DEVIATE FROM THE REQUIREMENTS DETAILED HEREIN, A LICENSED ENGINEER OR ARCHITECT SHALL PREPARE SITE SPECIFIC DOCUMENTS FOR USE WITH THIS DOCUMENT



FL #:
FL21062

DATE: **12.10.19**

DWG. BY: **JA** CHK. BY: **HFN**

SCALE: **NTS**

DWG. #: **TLI002**

SECTION
6

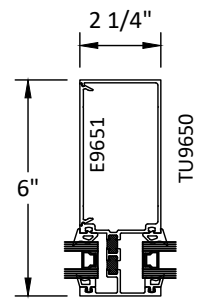
c:\Users\ps50\oneoffice - building drops - inc\1002-2020-12-21.dwg

6" SYSTEM INSIDE GLAZED VERTICAL DETAILS

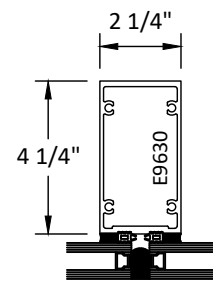
DESIGN PRESSURES

VERTICAL MEMBER DESIGN PRESSURE, TABLE 1 (psf)

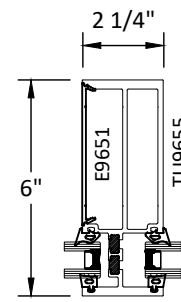
		WIDTH 'W' (INCHES)																	
		24.0	30.0	36.0	42.0	48.0	54.0	60.0	66.0	72.0	78.0	84.0	90.0	96.0	102.0	108.0	114.0	120.0	
MEMBER SPAN 'H' (INCHES)	24.0	60.0	60.0	60.0	60.0	60.0	60.0	60.0	60.0	60.0	60.0	60.0	60.0	60.0	60.0	60.0	60.0	60.0	
	30.0	60.0	60.0	60.0	60.0	60.0	60.0	60.0	60.0	60.0	60.0	60.0	60.0	60.0	60.0	60.0	60.0	60.0	
	36.0	60.0	60.0	60.0	60.0	60.0	60.0	60.0	60.0	60.0	60.0	60.0	60.0	60.0	60.0	60.0	60.0	60.0	
	42.0	60.0	60.0	60.0	60.0	60.0	60.0	60.0	60.0	60.0	60.0	60.0	60.0	60.0	60.0	60.0	60.0	60.0	
	48.0	60.0	60.0	60.0	60.0	60.0	60.0	60.0	60.0	60.0	60.0	60.0	60.0	60.0	60.0	60.0	60.0	54.2	
	54.0	60.0	60.0	60.0	60.0	60.0	60.0	60.0	60.0	60.0	60.0	60.0	60.0	60.0	60.0	60.0	59.5	53.4	48.2
	60.0	60.0	60.0	60.0	60.0	60.0	60.0	60.0	60.0	60.0	60.0	60.0	60.0	60.0	60.0	60.0	53.5	48.1	43.4
	66.0	60.0	60.0	60.0	60.0	60.0	60.0	60.0	60.0	60.0	60.0	60.0	60.0	60.0	60.0	60.0	54.6	48.7	39.4
	72.0	60.0	60.0	60.0	60.0	60.0	60.0	60.0	60.0	60.0	60.0	60.0	60.0	60.0	60.0	60.0	56.5	50.0	36.1
	78.0	60.0	60.0	60.0	60.0	60.0	60.0	60.0	60.0	60.0	60.0	60.0	60.0	60.0	60.0	60.0	59.3	52.1	37.0
	84.0	60.0	60.0	60.0	60.0	60.0	60.0	60.0	60.0	60.0	60.0	60.0	60.0	60.0	60.0	60.0	57.6	55.4	31.0
	90.0	60.0	60.0	60.0	60.0	60.0	60.0	60.0	60.0	60.0	60.0	60.0	60.0	60.0	60.0	60.0	58.9	54.9	28.9
96.0	60.0	60.0	60.0	60.0	60.0	60.0	60.0	60.0	60.0	60.0	60.0	60.0	60.0	60.0	60.0	59.2	54.0	27.1	
102.0	60.0	60.0	60.0	60.0	60.0	60.0	60.0	60.0	60.0	60.0	60.0	60.0	60.0	60.0	60.0	54.9	49.8	25.5	
108.0	60.0	60.0	60.0	60.0	60.0	60.0	60.0	60.0	60.0	60.0	60.0	60.0	60.0	60.0	60.0	51.1	46.3	26.7	
114.0	60.0	60.0	60.0	60.0	60.0	60.0	60.0	60.0	60.0	60.0	60.0	60.0	60.0	60.0	60.0	44.9	39.9	24.5	
120.0	60.0	60.0	60.0	60.0	60.0	60.0	60.0	60.0	60.0	60.0	60.0	60.0	60.0	60.0	60.0	51.6	44.0	20.5	



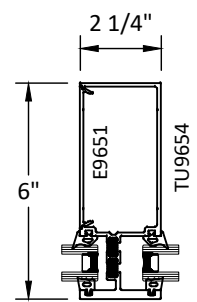
A MULLION OPTION 1
DUAL POUR, INSIDE GLAZED



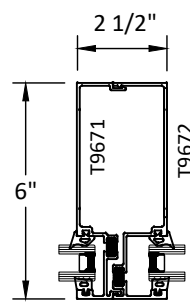
B MULLION OPTION 2



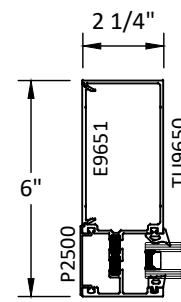
C MULLION OPTION 3
DUAL POUR, INSIDE GLAZED



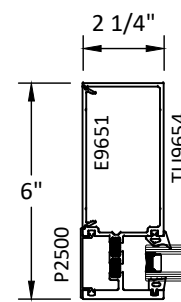
D MULLION OPTION 4
DUAL POUR, INSIDE GLAZED



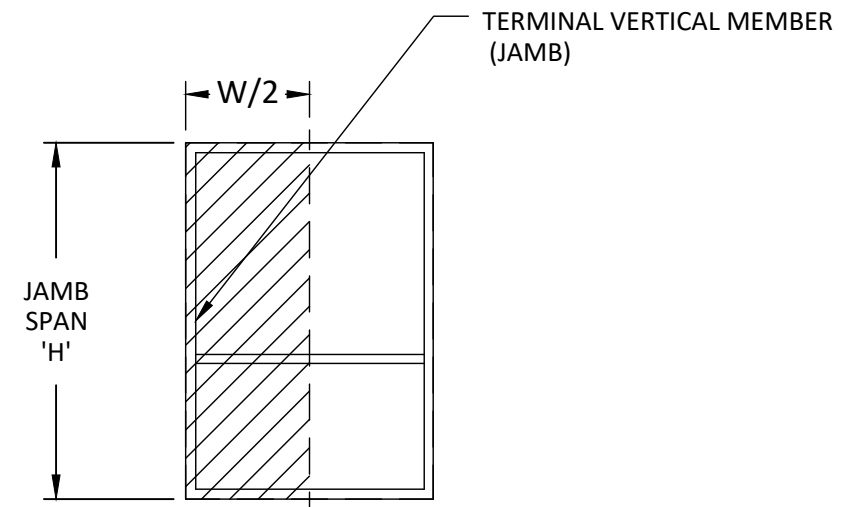
E MULLION OPTION 5
SINGLE POUR, INSIDE GLAZED



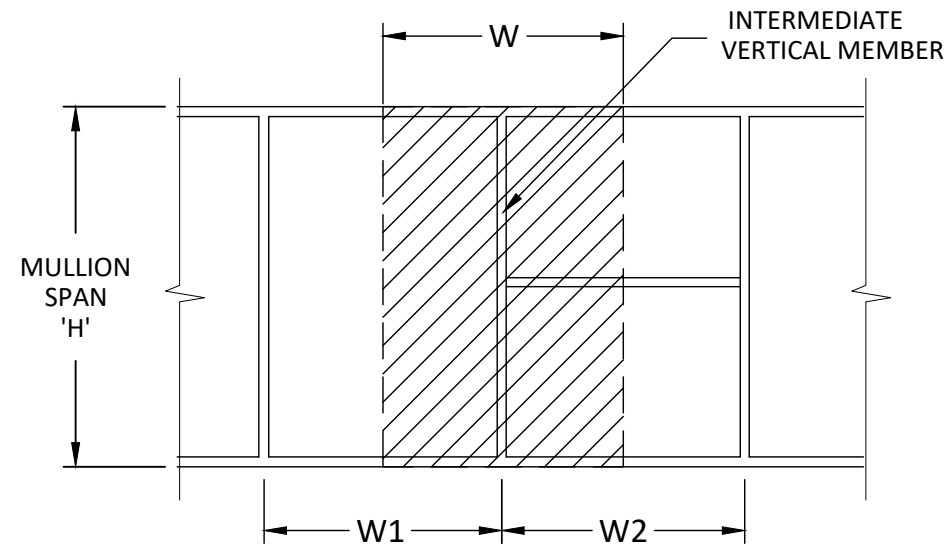
F JAMB OPTION 1
DUAL POUR, INSIDE GLAZED



G JAMB OPTION 2
DUAL POUR, INSIDE GLAZED



H ELEVATION A
JAMB



I ELEVATION B
VERTICAL MULLION

$$\text{WIDTH (W)} = \frac{W1 + W2}{2}$$

NOTE:
SINGLE POUR VERSIONS OF ALL
DUAL POURS APPLY. UNIQUE SINGLE
POUR OPTIONS ALSO SHOWN

TUBELITE
DEPENDABLE
LEADERS IN ECO-EFFICIENT STOREFRONT,
CURTAINWALL AND ENTRANCE SYSTEMS

3056 WALKER RIDGE DRIVE N.W.
WALKER, MICHIGAN 49544
PH: 800 866 2227 FX: 616 301 0008

TITLE: 900RW SERIES THERMAL
RIBBON WINDOW
(NON-HVHZ)/(NON-IMPACT)

6" SYSTEM INSIDE GLAZED VERTICAL
DETAILS DESIGN PRESSURE

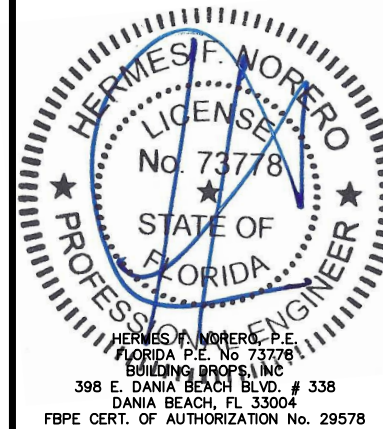
PREPARED BY:
BUILDING DROPS, INC.

398 E. DANIA BEACH BLVD., STE. 338
DANIA BEACH, FL 33004
PH: (954) 395-8478
FAX: (954) 744-4738
WEB: www.buildingdrops.com



REMARKS	BY	DATE
FBC 2020 UPDATE	LL	10/5

THE INSTALLATION DETAILS DESCRIBED HEREIN ARE GENERIC
AND MAY NOT REFLECT ACTUAL CONDITIONS FOR A SPECIFIC
SITE. IF SITE CONDITIONS CAUSE INSTALLATION TO DEVIATE
FROM THE REQUIREMENTS DETAILED HEREIN, A LICENSED
ENGINEER OR ARCHITECT SHALL PREPARE SITE SPECIFIC
DOCUMENTS FOR USE WITH THIS DOCUMENT



FL #:

FL21062

DATE: 12.10.19

DWG. BY: JA CHK. BY: HFN

SCALE: NTS

DWG. #: TLI002

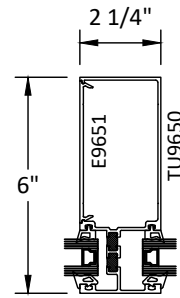
SECTION

7

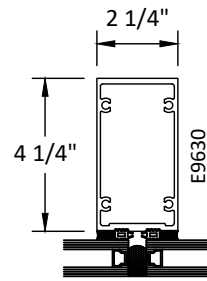
6" SYSTEM OUTSIDE GLAZED VERTICAL DETAILS DESIGN PRESSURES

VERTICAL MEMBER DESIGN PRESSURE, TABLE 2 (psf) (SAME AS TABLE 1)

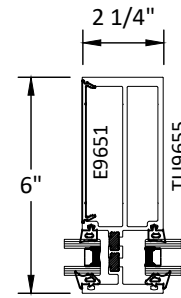
		WIDTH 'W' (INCHES)																	
		24.0	30.0	36.0	42.0	48.0	54.0	60.0	66.0	72.0	78.0	84.0	90.0	96.0	102.0	108.0	114.0	120.0	
MEMBER SPAN 'H' (INCHES)	24.0	60.0	60.0	60.0	60.0	60.0	60.0	60.0	60.0	60.0	60.0	60.0	60.0	60.0	60.0	60.0	60.0	60.0	
	30.0	60.0	60.0	60.0	60.0	60.0	60.0	60.0	60.0	60.0	60.0	60.0	60.0	60.0	60.0	60.0	60.0	60.0	
	36.0	60.0	60.0	60.0	60.0	60.0	60.0	60.0	60.0	60.0	60.0	60.0	60.0	60.0	60.0	60.0	60.0	60.0	
	42.0	60.0	60.0	60.0	60.0	60.0	60.0	60.0	60.0	60.0	60.0	60.0	60.0	60.0	60.0	60.0	60.0	60.0	
	48.0	60.0	60.0	60.0	60.0	60.0	60.0	60.0	60.0	60.0	60.0	60.0	60.0	60.0	60.0	60.0	60.0	54.2	
	54.0	60.0	60.0	60.0	60.0	60.0	60.0	60.0	60.0	60.0	60.0	60.0	60.0	60.0	60.0	59.5	53.4	48.2	
	60.0	60.0	60.0	60.0	60.0	60.0	60.0	60.0	60.0	60.0	60.0	60.0	60.0	60.0	60.0	53.5	48.1	43.4	
	66.0	60.0	60.0	60.0	60.0	60.0	60.0	60.0	60.0	60.0	60.0	60.0	60.0	60.0	60.0	54.6	48.7	43.7	39.4
	72.0	60.0	60.0	60.0	60.0	60.0	60.0	60.0	60.0	60.0	60.0	60.0	60.0	60.0	60.0	56.5	50.0	44.6	36.1
	78.0	60.0	60.0	60.0	60.0	60.0	60.0	60.0	60.0	60.0	60.0	60.0	60.0	59.3	52.1	46.2	41.2	37.0	33.4
	84.0	60.0	60.0	60.0	60.0	60.0	60.0	57.6	55.4	54.0	53.2	52.9	52.9	48.4	42.9	38.2	34.3	31.0	
	90.0	60.0	60.0	60.0	60.0	58.9	54.9	51.8	49.6	48.0	46.9	46.3	46.1	45.2	40.0	35.7	32.0	28.9	
	96.0	60.0	60.0	60.0	59.2	54.0	50.1	47.1	44.9	43.2	42.0	41.1	40.7	40.5	37.5	33.5	30.0	27.1	
102.0	60.0	60.0	60.0	54.9	49.8	46.1	43.2	41.0	39.3	38.0	36.9	36.0	35.5	35.3	31.5	28.3	25.5		
108.0	60.0	60.0	57.6	51.1	46.3	42.7	39.7	37.1	34.9	33.2	31.9	31.0	30.3	29.9	29.7	26.7			
114.0	60.0	60.0	51.6	44.9	39.9	36.2	33.3	31.0	29.2	27.8	26.7	25.9	25.2	24.8	24.5				
120.0	60.0	52.3	44.0	38.2	34.0	30.7	28.2	26.2	24.7	23.4	22.4	21.6	20.9	20.5					



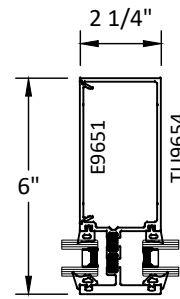
A **MULLION OPTION 1**
DUAL POUR, OUTSIDE GLAZED



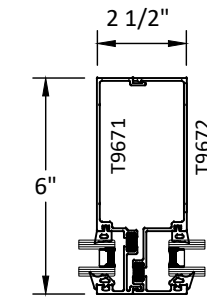
B **MULLION OPTION 2**
DUAL POUR, OUTSIDE GLAZED



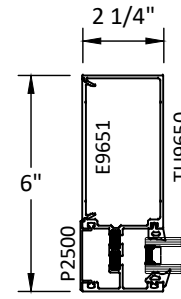
C **MULLION OPTION 3**
DUAL POUR, OUTSIDE GLAZED



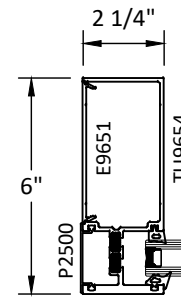
D **MULLION OPTION 4**
DUAL POUR, OUTSIDE GLAZED



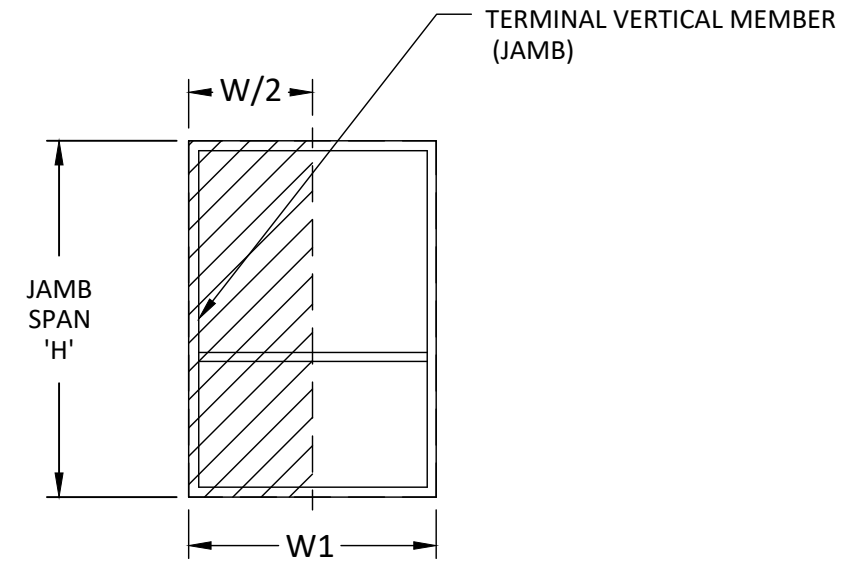
E **MULLION OPTION 5**
SINGLE POUR, OUTSIDE GLAZED



F **JAMB OPTION 1**
DUAL POUR, OUTSIDE GLAZED

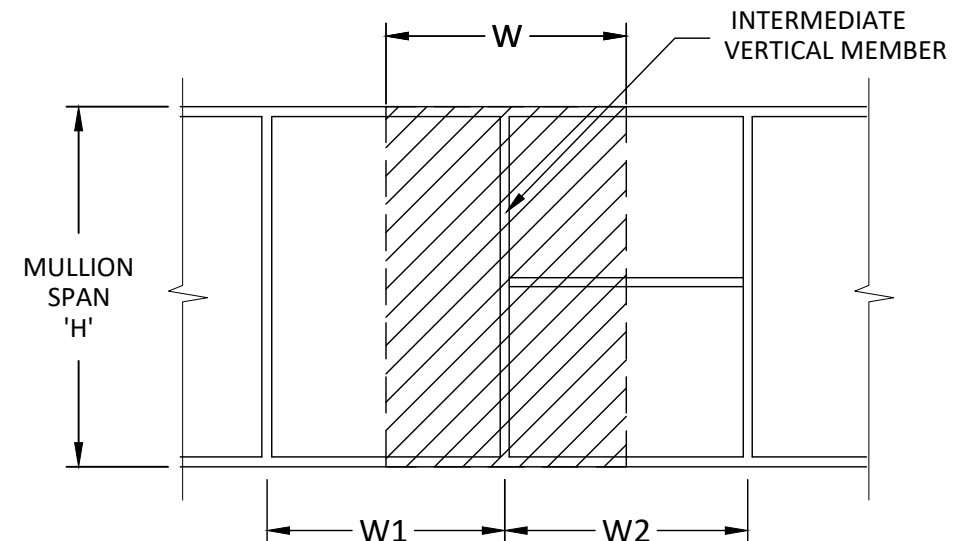


G **JAMB OPTION 2**
DUAL POUR, OUTSIDE GLAZED



H **ELEVATION A**
JAMB

WIDTH (W) = $\frac{W1}{2}$



I **ELEVATION B**
VERTICAL MULLION

WIDTH (W) = $\frac{W1 + W2}{2}$

NOTE:
SINGLE POUR VERSIONS OF ALL
DUAL POURS APPLY. UNIQUE SINGLE
POUR OPTIONS ALSO SHOWN

TUBELITE®
DEPENDABLE
LEADERS IN ECO-EFFICIENT STOREFRONT,
CURTAINWALL AND ENTRANCE SYSTEMS

3056 WALKER RIDGE DRIVE N.W.
WALKER, MICHIGAN 49544
PH: 800 866 2227 FX: 616 301 0008

TITLE: 900RW SERIES THERMAL
RIBBON WINDOW
(NON-HVHZ)/(NON-IMPACT)

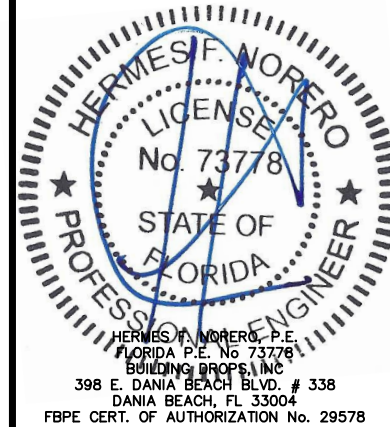
6" SYSTEM OUTSIDE GLAZED VERTICAL
DETAILS DESIGN PRESSURE

PREPARED BY:
BUILDING DROPS, INC.
398 E. DANIA BEACH BLVD., STE. 338
DANIA BEACH, FL 33004
PH: (954) 395-8478
FAX: (954) 744-4738
WEB: www.buildingdrops.com



REMARKS	BY	DATE
FBC 2020 UPDATE	LL	10/5

THE INSTALLATION DETAILS DESCRIBED HEREIN ARE GENERIC
AND MAY NOT REFLECT ACTUAL CONDITIONS FOR A SPECIFIC
SITE. IF SITE CONDITIONS CAUSE INSTALLATION TO DEVIATE
FROM THE REQUIREMENTS DETAILED HEREIN, A LICENSED
ENGINEER OR ARCHITECT SHALL PREPARE SITE SPECIFIC
DOCUMENTS FOR USE WITH THIS DOCUMENT



FL #: **FL21062**

DATE: **12.10.19**

DWG. BY: **JA** CHK. BY: **HFN**

SCALE: **NTS**

DWG. #: **TLI002**

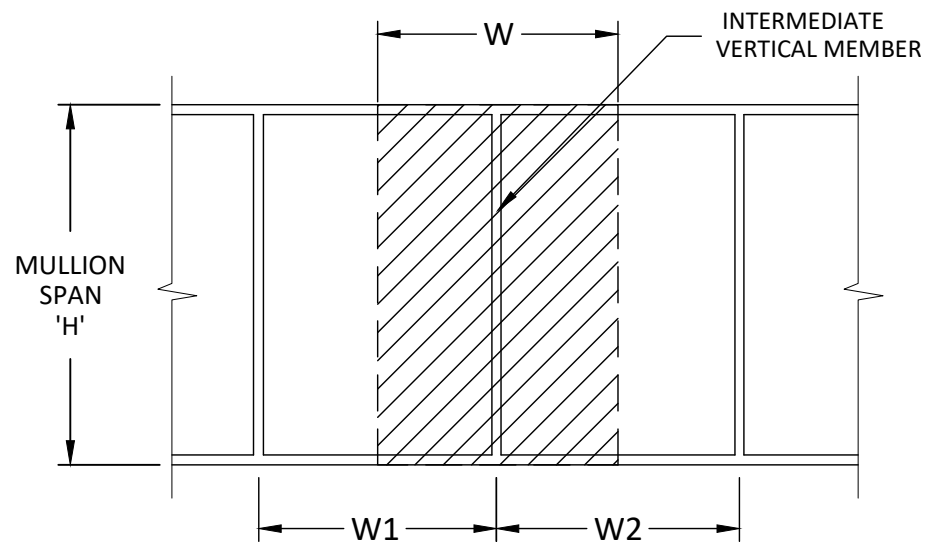
SECTION



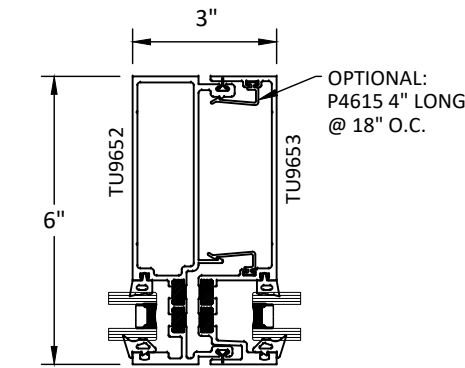
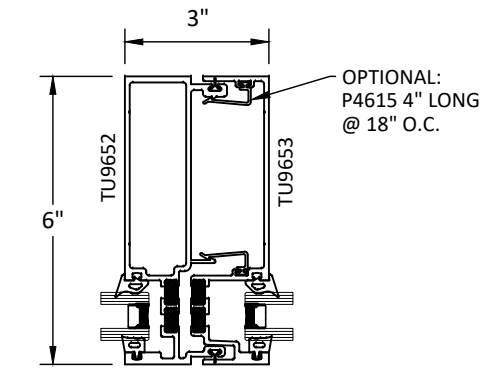
6" SYSTEM INSIDE/OUTSIDE GLAZED EXPANSION VERTICAL DETAILS DESIGN PRESSURES

VERTICAL MEMBER DESIGN PRESSURE, TABLE 3 (psf)

		WIDTH 'W' (INCHES)																
		24.0	30.0	36.0	42.0	48.0	54.0	60.0	66.0	72.0	78.0	84.0	90.0	96.0	102.0	108.0	114.0	120.0
MEMBER SPAN 'H' (INCHES)	24.0	45.0	45.0	45.0	45.0	45.0	45.0	45.0	45.0	45.0	45.0	45.0	45.0	45.0	45.0	45.0	45.0	45.0
	30.0	45.0	45.0	45.0	45.0	45.0	45.0	45.0	45.0	45.0	45.0	45.0	45.0	45.0	45.0	45.0	45.0	45.0
	36.0	45.0	45.0	45.0	45.0	45.0	45.0	45.0	45.0	45.0	45.0	45.0	45.0	45.0	45.0	45.0	45.0	45.0
	42.0	45.0	45.0	45.0	45.0	45.0	45.0	45.0	45.0	45.0	45.0	45.0	45.0	45.0	45.0	45.0	45.0	45.0
	48.0	45.0	45.0	45.0	45.0	45.0	45.0	45.0	45.0	45.0	45.0	45.0	45.0	45.0	45.0	45.0	45.0	40.7
	54.0	45.0	45.0	45.0	45.0	45.0	45.0	45.0	45.0	45.0	45.0	45.0	45.0	45.0	45.0	44.6	40.1	36.1
	60.0	45.0	45.0	45.0	45.0	45.0	45.0	45.0	45.0	45.0	45.0	45.0	45.0	45.0	45.0	40.2	36.0	32.5
	66.0	45.0	45.0	45.0	45.0	45.0	45.0	45.0	45.0	45.0	45.0	45.0	45.0	45.0	40.9	36.5	32.8	29.6
	72.0	45.0	45.0	45.0	45.0	45.0	45.0	45.0	45.0	45.0	45.0	45.0	45.0	42.4	37.5	33.5	30.0	27.1
	78.0	45.0	45.0	45.0	45.0	45.0	45.0	45.0	45.0	45.0	45.0	45.0	44.5	39.1	34.6	30.9	27.7	25.0
	84.0	45.0	45.0	45.0	45.0	45.0	45.0	43.2	41.6	40.5	39.9	39.7	39.7	36.3	32.2	28.7	25.7	23.2
	90.0	45.0	45.0	45.0	45.0	44.2	41.1	38.9	37.2	36.0	35.2	34.7	34.6	33.9	30.0	26.8	24.0	21.7
	96.0	45.0	45.0	45.0	44.4	40.5	37.6	35.3	33.7	32.4	31.5	30.9	30.5	30.4	28.1	25.1	22.5	20.3
102.0	45.0	45.0	45.0	41.1	37.4	34.6	32.4	30.7	29.5	28.5	27.7	27.0	26.6	26.5	23.6	21.2	19.1	
108.0	45.0	45.0	43.2	38.3	34.7	32.0	29.8	27.8	26.2	24.9	24.0	23.2	22.7	22.4	22.3	20.0		
114.0	45.0	45.0	38.7	33.6	29.9	27.1	25.0	23.3	21.9	20.9	20.0	19.4	18.9	18.6	18.4			
120.0	45.0	39.2	33.0	28.7	25.5	23.1	21.2	19.7	18.5	17.5	16.8	16.2	15.7	15.4				



$$\text{WIDTH (W)} = \frac{W1 + W2}{2}$$



NOTE:
SINGLE POUR VERSIONS OF ALL
DUAL POURS APPLY. UNIQUE SINGLE
POUR OPTIONS ALSO SHOWN

TUBELITE
DEPENDABLE
LEADERS IN ECO-EFFICIENT STOREFRONT,
CURTAINWALL AND ENTRANCE SYSTEMS

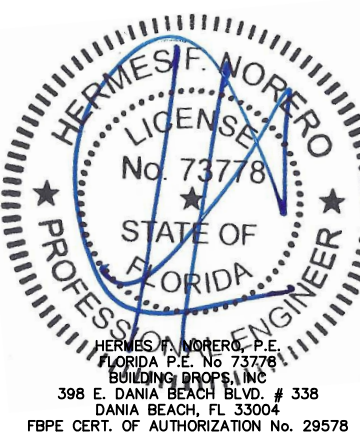
3056 WALKER RIDGE DRIVE N.W.
WALKER, MICHIGAN 49544
PH: 800 866 2227 FX: 616 301 0008

TITLE: 900RW SERIES THERMAL
RIBBON WINDOW
(NON-HVHZ)/(NON-IMPACT)
6" SYSTEM OUTSIDE/INSIDE GLAZED
EXPANSION VERTICAL DETAILS
DESIGN PRESSURE

PREPARED BY:
BUILDING DROPS, INC.
398 E. DANIA BEACH BLVD., STE. 338
DANIA BEACH, FL 33004
PH: (954) 395-8478
FAX: (954) 744-4738
WEB: www.buildingdrops.com

REMARKS	BY	DATE
FBC 2020 UPDATE	LL	10/5

THE INSTALLATION DETAILS DESCRIBED HEREIN ARE GENERIC
AND MAY NOT REFLECT ACTUAL CONDITIONS FOR A SPECIFIC
SITE. IF SITE CONDITIONS CAUSE INSTALLATION TO DEVIATE
FROM THE REQUIREMENTS DETAILED HEREIN, A LICENSED
ENGINEER OR ARCHITECT SHALL PREPARE SITE SPECIFIC
DOCUMENTS FOR USE WITH THIS DOCUMENT



FL #:
FL21062

DATE: **12.10.19**

DWG. BY: **JA** CHK. BY: **HFN**

SCALE: **NTS**

DWG. #: **TLI002**

SECTION
9

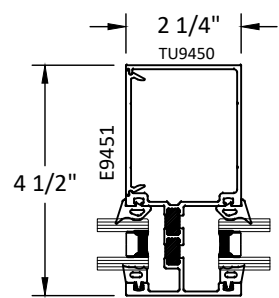
12/21/2020 9:04 AM c:\users\ps50\oneoffice - building drops - inc\l\002-2020-12-21.dwg

4-1/2" SYSTEM INSIDE GLAZED VERTICAL DETAILS

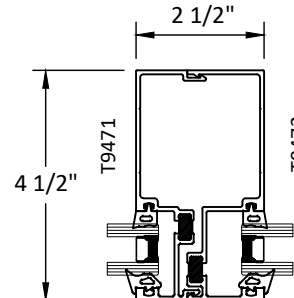
DESIGN PRESSURES

VERTICAL MEMBER DESIGN PRESSURE, TABLE 4 (psf)

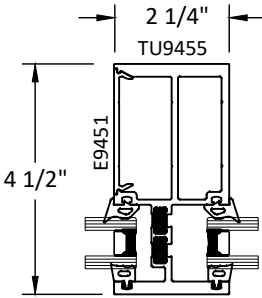
		WIDTH 'W' (INCHES)																
		24.0	30.0	36.0	42.0	48.0	54.0	60.0	66.0	72.0	78.0	84.0	90.0	96.0	102.0	108.0	114.0	120.0
MEMBER SPAN 'H' (INCHES)	24.0	60.0	60.0	60.0	60.0	60.0	60.0	60.0	60.0	60.0	60.0	60.0	60.0	60.0	60.0	60.0	60.0	60.0
	30.0	60.0	60.0	60.0	60.0	60.0	60.0	60.0	60.0	60.0	60.0	60.0	60.0	60.0	60.0	60.0	60.0	60.0
	36.0	60.0	60.0	60.0	60.0	60.0	60.0	60.0	60.0	60.0	60.0	60.0	60.0	60.0	59.0	55.7	52.8	50.2
	42.0	60.0	60.0	60.0	60.0	60.0	60.0	60.0	60.0	60.0	60.0	60.0	60.0	57.3	53.7	50.6	47.8	45.3
	48.0	60.0	60.0	60.0	60.0	60.0	60.0	60.0	60.0	60.0	55.7	51.4	47.8	44.6	41.8	39.3	37.1	35.2
	54.0	60.0	60.0	60.0	60.0	60.0	60.0	60.0	60.0	60.0	55.7	51.4	47.8	44.6	41.8	39.3	37.1	35.2
	60.0	60.0	60.0	60.0	60.0	60.0	60.0	60.0	60.0	54.7	50.2	46.3	43.0	40.1	37.6	35.4	33.4	31.7
	66.0	60.0	60.0	60.0	60.0	60.0	60.0	60.0	54.7	49.7	45.6	42.1	39.1	36.5	34.2	32.2	30.4	28.8
	72.0	60.0	60.0	60.0	60.0	60.0	60.0	55.7	50.2	45.6	41.8	38.6	35.8	33.4	31.3	29.5	27.9	26.4
	78.0	60.0	60.0	60.0	60.0	57.9	51.4	46.3	42.1	38.6	35.6	33.1	30.9	28.9	27.2	25.7	24.4	23.1
	84.0	60.0	60.0	60.0	58.0	50.8	45.1	40.6	36.9	33.8	31.2	29.0	27.1	25.4	23.9	22.6	21.4	20.3
	90.0	60.0	60.0	55.0	47.2	41.3	36.7	33.0	30.0	27.5	25.4	23.6	22.0	20.6	19.4	18.3	17.4	16.5
	96.0	60.0	54.4	45.3	38.9	34.0	30.2	27.2	24.7	22.7	20.9	19.4	18.1	17.0	16.0	15.1	14.3	
102.0	56.7	45.4	37.8	32.4	28.3	25.2	22.7	20.6	18.9	17.4	16.2	15.1						
108.0	47.8	38.2	31.8	27.3	23.9	21.2	19.1	17.4	15.9									
114.0	40.6	32.5	27.1	23.2	20.3	18.0	16.2											
120.0	34.8	27.9	23.2	19.9	17.4	15.5												



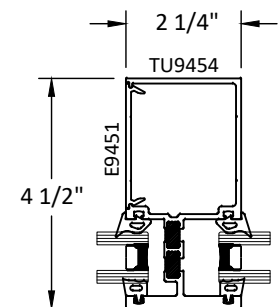
A MULLION OPTION 1
DUAL POUR, INSIDE GLAZED



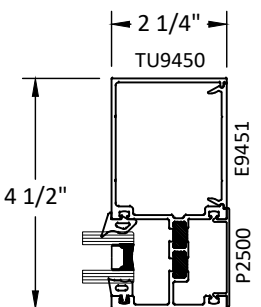
B MULLION OPTION 2
SINGLE POUR, INSIDE GLAZED



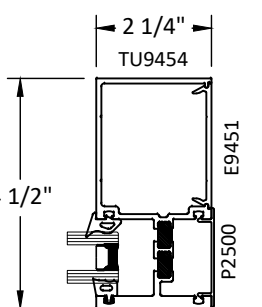
C MULLION OPTION 3
DUAL POUR, INSIDE GLAZED



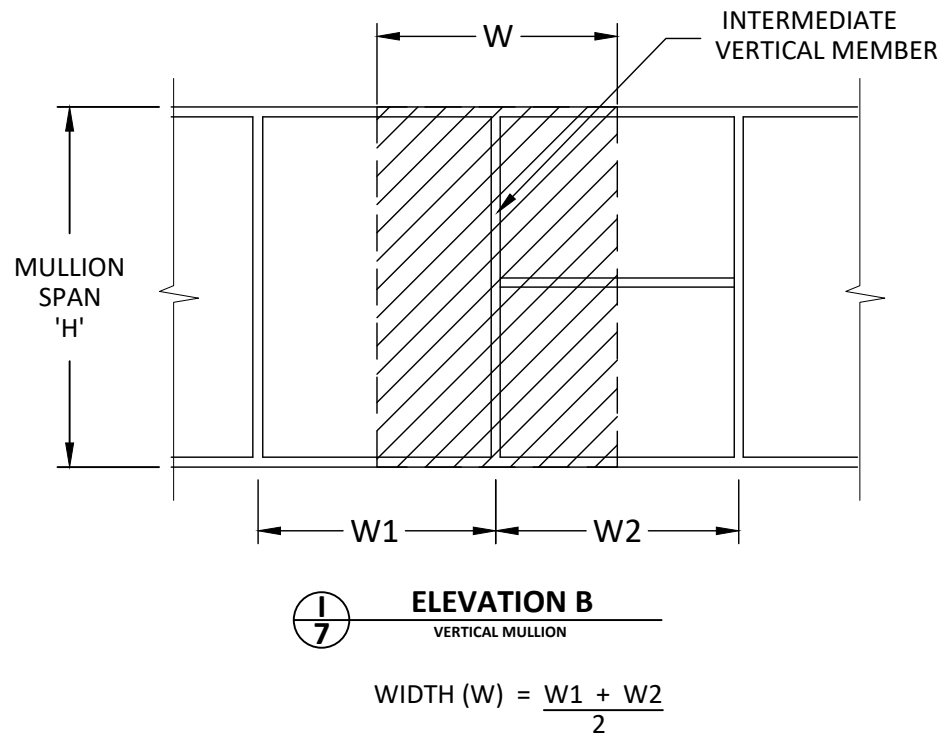
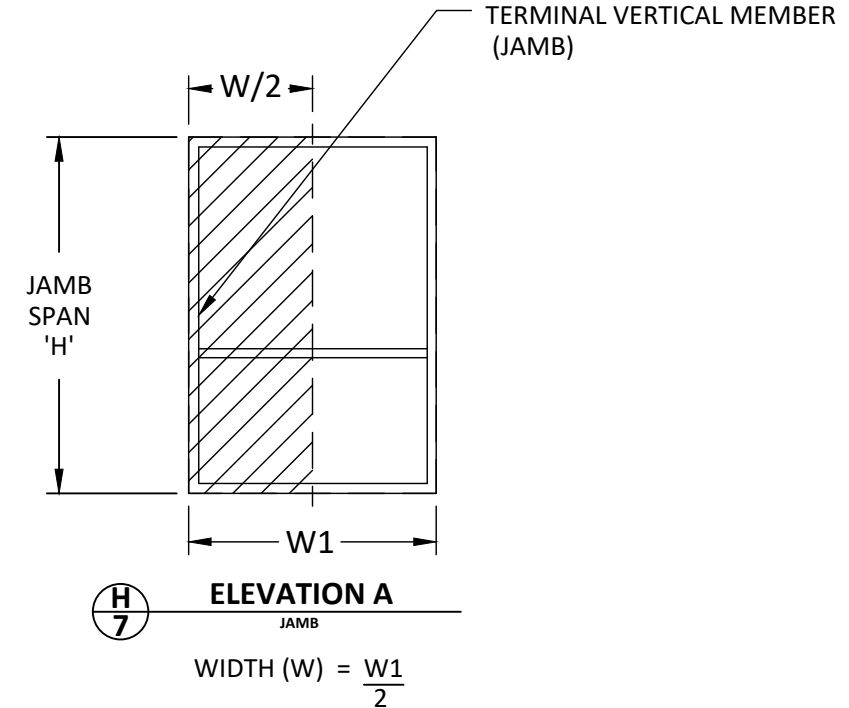
D MULLION OPTION 4
DUAL POUR, INSIDE GLAZED



E JAMB OPTION 1
DUAL POUR, INSIDE GLAZED



F JAMB OPTION 2
DUAL POUR, INSIDE GLAZED



NOTE:
SINGLE POUR VERSIONS OF ALL
DUAL POURS APPLY. UNIQUE SINGLE
POUR OPTIONS ALSO SHOWN

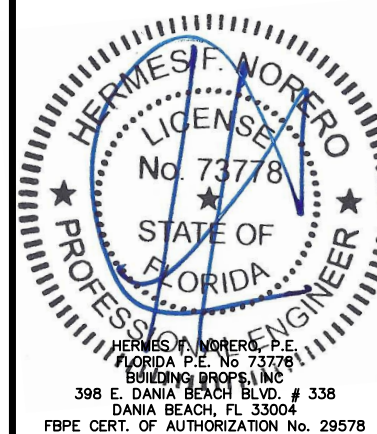
TUBELITE
DEPENDABLE

LEADERS IN ECO-EFFICIENT STOREFRONT,
CURTAINWALL AND ENTRANCE SYSTEMS
3056 WALKER RIDGE DRIVE N.W.
WALKER, MICHIGAN 49544
PH: 800 866 2227 FX: 616 301 0008

TITLE: 900RW SERIES THERMAL
RIBBON WINDOW
(NON-HVHZ)/(NON-IMPACT)
4-1/2" SYSTEM INSIDE GLAZED VERTICAL
DETAILS DESIGN PRESSURE
PREPARED BY:
BUILDING DROPS, INC.
398 E. DANIA BEACH BLVD., STE. 338
DANIA BEACH, FL 33004
PH: (954) 395-8478
FAX: (954) 744-4738
WEB: www.buildingdrops.com

REMARKS	BY	DATE
FBC 2020 UPDATE	LL	10/5

THE INSTALLATION DETAILS DESCRIBED HEREIN ARE GENERIC
AND MAY NOT REFLECT ACTUAL CONDITIONS FOR A SPECIFIC
SITE. IF SITE CONDITIONS CAUSE INSTALLATION TO DEVIATE
FROM THE REQUIREMENTS DETAILED HEREIN, A LICENSED
ENGINEER OR ARCHITECT SHALL PREPARE SITE SPECIFIC
DOCUMENTS FOR USE WITH THIS DOCUMENT



FL #:
FL21062
DATE: **12.10.19**
DWG. BY: **JA** CHK. BY: **HFN**
SCALE: **NTS**
DWG. #: **TLI002**
SECTION
10
OF 20

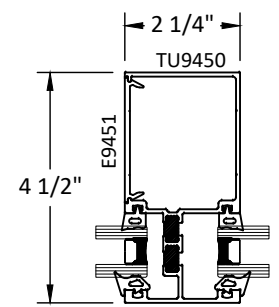
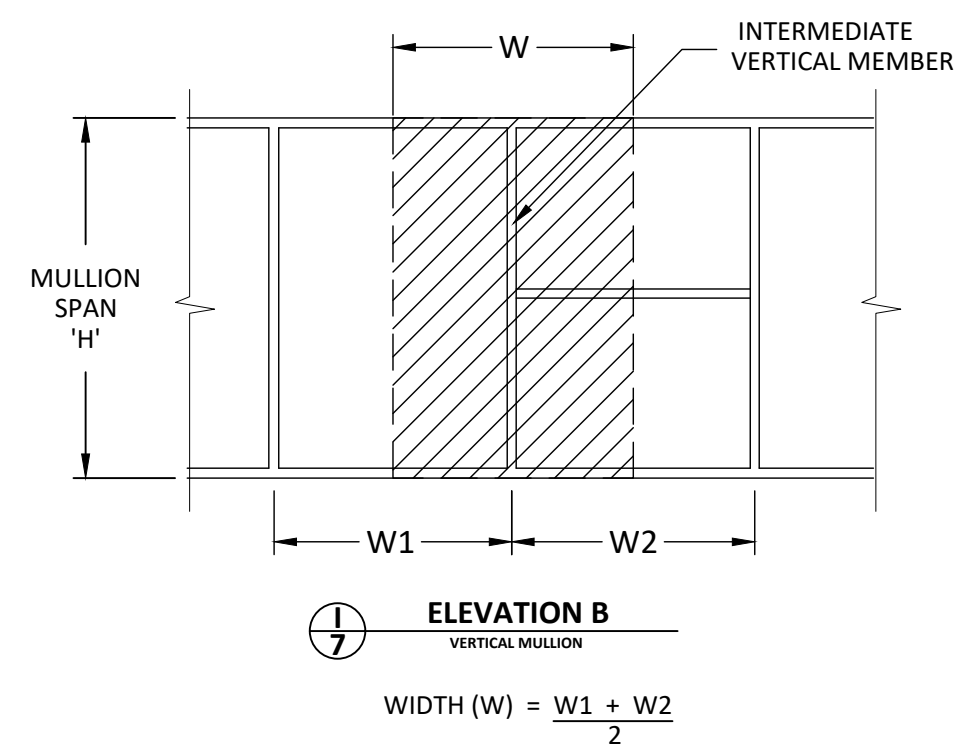
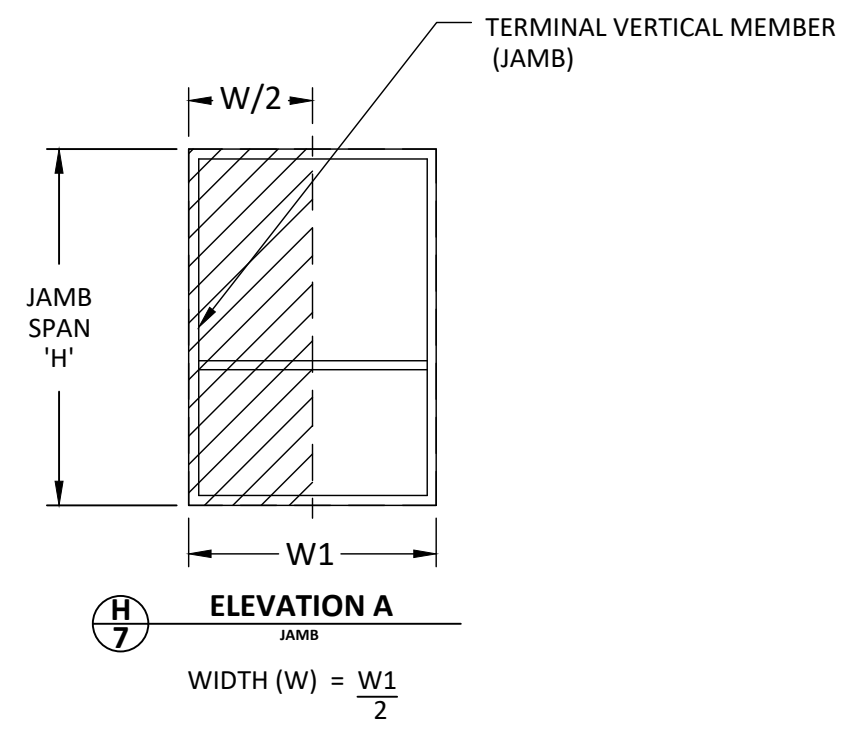
12/21/2020 9:04 AM

4-1/2" SYSTEM OUTSIDE GLAZED VERTICAL DETAILS DESIGN PRESSURES

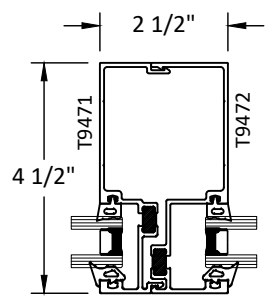
TUBELITE®
DEPENDABLE
LEADERS IN ECO-EFFICIENT STOREFRONT,
CURTAINWALL AND ENTRANCE SYSTEMS
3056 WALKER RIDGE DRIVE N.W.
WALKER, MICHIGAN 49544
PH: 800 866 2227 FX: 616 301 0008

VERTICAL MEMBER DESIGN PRESSURE, TABLE 5 (psf) (SAME AS TABLE 4)

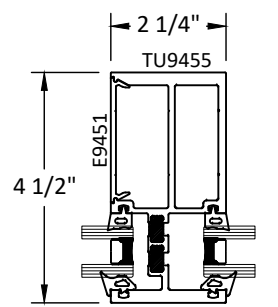
		WIDTH 'W' (INCHES)																
		24.0	30.0	36.0	42.0	48.0	54.0	60.0	66.0	72.0	78.0	84.0	90.0	96.0	102.0	108.0	114.0	120.0
MEMBER SPAN 'H' (INCHES)	24.0	60.0	60.0	60.0	60.0	60.0	60.0	60.0	60.0	60.0	60.0	60.0	60.0	60.0	60.0	60.0	60.0	60.0
	30.0	60.0	60.0	60.0	60.0	60.0	60.0	60.0	60.0	60.0	60.0	60.0	60.0	60.0	60.0	60.0	60.0	60.0
	36.0	60.0	60.0	60.0	60.0	60.0	60.0	60.0	60.0	60.0	60.0	60.0	60.0	60.0	59.0	55.7	52.8	50.2
	42.0	60.0	60.0	60.0	60.0	60.0	60.0	60.0	60.0	60.0	60.0	60.0	60.0	57.3	53.7	50.6	47.8	45.3
	48.0	60.0	60.0	60.0	60.0	60.0	60.0	60.0	60.0	60.0	55.7	51.4	47.8	44.6	41.8	39.3	37.1	35.2
	54.0	60.0	60.0	60.0	60.0	60.0	60.0	60.0	60.0	60.0	55.7	51.4	47.8	44.6	41.8	39.3	37.1	35.2
	60.0	60.0	60.0	60.0	60.0	60.0	60.0	60.0	60.0	54.7	50.2	46.3	43.0	40.1	37.6	35.4	33.4	31.7
	66.0	60.0	60.0	60.0	60.0	60.0	60.0	60.0	54.7	49.7	45.6	42.1	39.1	36.5	34.2	32.2	30.4	28.8
	72.0	60.0	60.0	60.0	60.0	60.0	60.0	55.7	50.2	45.6	41.8	38.6	35.8	33.4	31.3	29.5	27.9	26.4
	78.0	60.0	60.0	60.0	60.0	57.9	51.4	46.3	42.1	38.6	35.6	33.1	30.9	28.9	27.2	25.7	24.4	23.1
	84.0	60.0	60.0	60.0	58.0	50.8	45.1	40.6	36.9	33.8	31.2	29.0	27.1	25.4	23.9	22.6	21.4	20.3
	90.0	60.0	60.0	55.0	47.2	41.3	36.7	33.0	30.0	27.5	25.4	23.6	22.0	20.6	19.4	18.3	17.4	16.5
	96.0	60.0	54.4	45.3	38.9	34.0	30.2	27.2	24.7	22.7	20.9	19.4	18.1	17.0	16.0	15.1	14.3	
102.0	56.7	45.4	37.8	32.4	28.3	25.2	22.7	20.6	18.9	17.4	16.2	15.1						
108.0	47.8	38.2	31.8	27.3	23.9	21.2	19.1	17.4	15.9									
114.0	40.6	32.5	27.1	23.2	20.3	18.0	16.2											
120.0	34.8	27.9	23.2	19.9	17.4	15.5												



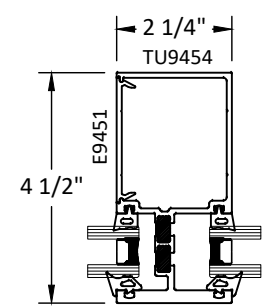
A
MULLION OPTION 1
DUAL POUR, OUTSIDE GLAZED



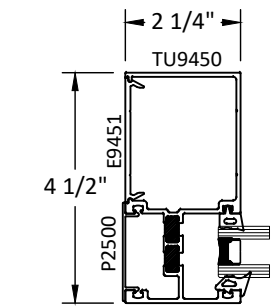
B
MULLION OPTION 2
SINGLE POUR, OUTSIDE GLAZED



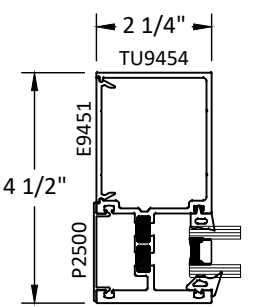
C
MULLION OPTION 3
DUAL POUR, OUTSIDE GLAZED



D
MULLION OPTION 4
DUAL POUR, OUTSIDE GLAZED



E
JAMB OPTION 1
DUAL POUR, OUTSIDE GLAZED



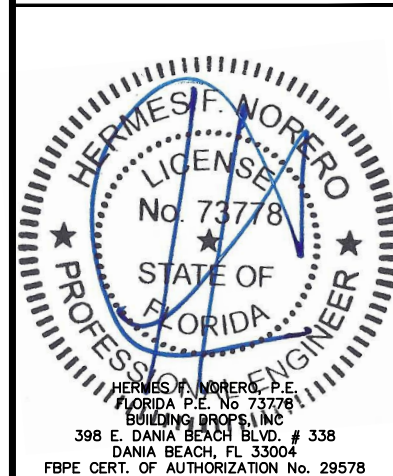
F
JAMB OPTION 2
DUAL POUR, OUTSIDE GLAZED

NOTE:
SINGLE POUR VERSIONS OF ALL
DUAL POURS APPLY. UNIQUE SINGLE
POUR OPTIONS ALSO SHOWN

TITLE: 900RW SERIES THERMAL
RIBBON WINDOW
(NON-HVHZ)/(NON-IMPACT)
4-1/2" SYSTEM OUTSIDE GLAZED VERTICAL
DETAILS DESIGN PRESSURE
PREPARED BY:
BUILDING DROPS, INC.
398 E. DANIA BEACH BLVD., STE. 338
DANIA BEACH, FL 33004
PH: (954) 395-8478
FAX: (954) 744-4738
WEB: www.buildingdrops.com

REMARKS	BY	DATE
FBC 2020 UPDATE	LL	10/5

THE INSTALLATION DETAILS DESCRIBED HEREIN ARE GENERIC
AND MAY NOT REFLECT ACTUAL CONDITIONS FOR A SPECIFIC
SITE. IF SITE CONDITIONS CAUSE INSTALLATION TO DEVIATE
FROM THE REQUIREMENTS DETAILED HEREIN, A LICENSED
ENGINEER OR ARCHITECT SHALL PREPARE SITE SPECIFIC
DOCUMENTS FOR USE WITH THIS DOCUMENT



FL #:
FL21062

DATE: **12.10.19**

DWG. BY: **JA** CHK. BY: **HFN**

SCALE: **NTS**

DWG. #: **TLI002**

SECTION

11

c:\Users\ps50\oneoffice - building drops - inc\1002-2020-12-21.dwg

4-1/2" INSIDE/OUTSIDE GLAZED EXPANSION VERTICAL DETAILS DESIGN PRESSURES

TUBELITE®
DEPENDABLE
LEADERS IN ECO-EFFICIENT STOREFRONT,
CURTAINWALL AND ENTRANCE SYSTEMS

3056 WALKER RIDGE DRIVE N.W.
WALKER, MICHIGAN 49544
PH: 800 866 2227 FX: 616 301 0008

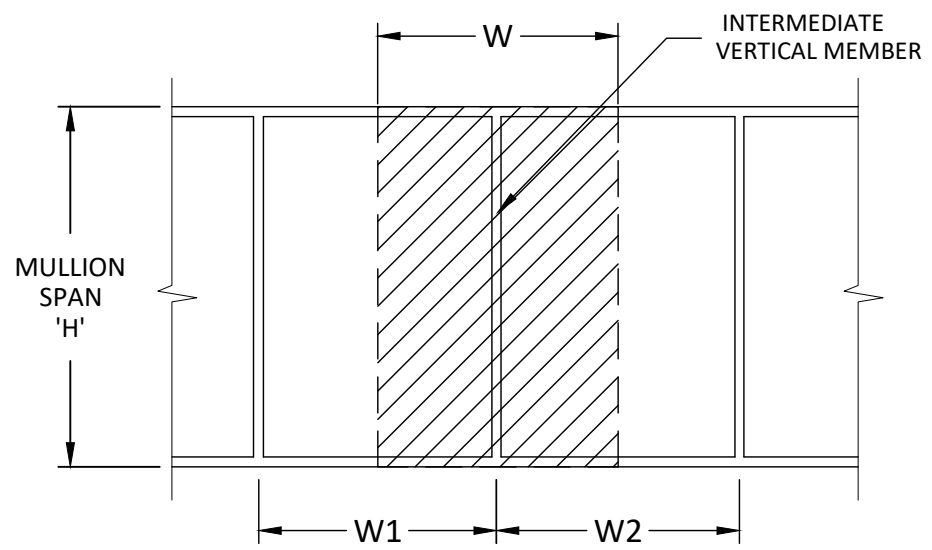
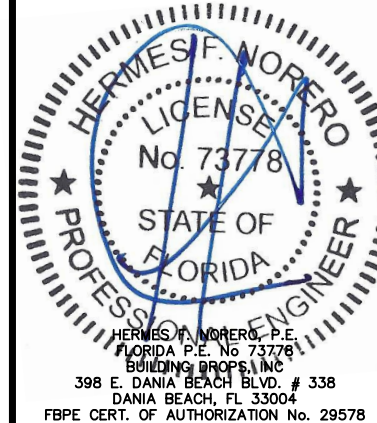
VERTICAL MEMBER DESIGN PRESSURE, TABLE 6 (psf)

		WIDTH 'W' (INCHES)																
		24.0	30.0	36.0	42.0	48.0	54.0	60.0	66.0	72.0	78.0	84.0	90.0	96.0	102.0	108.0	114.0	120.0
MEMBER SPAN 'H' (INCHES)	24.0	45.0	45.0	45.0	45.0	45.0	45.0	45.0	45.0	45.0	45.0	45.0	45.0	45.0	45.0	45.0	45.0	45.0
	30.0	45.0	45.0	45.0	45.0	45.0	45.0	45.0	45.0	45.0	45.0	45.0	45.0	45.0	45.0	45.0	45.0	45.0
	36.0	45.0	45.0	45.0	45.0	45.0	45.0	45.0	45.0	45.0	45.0	45.0	45.0	45.0	44.3	41.8	39.6	37.6
	42.0	45.0	45.0	45.0	45.0	45.0	45.0	45.0	45.0	45.0	45.0	45.0	43.0	40.3	37.9	35.8	33.9	32.2
	48.0	45.0	45.0	45.0	45.0	45.0	45.0	45.0	45.0	45.0	41.8	38.6	35.8	33.4	31.3	29.5	27.9	26.4
	54.0	45.0	45.0	45.0	45.0	45.0	45.0	45.0	45.0	41.8	38.6	35.8	33.4	31.3	29.5	27.9	26.4	25.1
	60.0	45.0	45.0	45.0	45.0	45.0	45.0	45.0	41.0	37.6	34.7	32.2	30.1	28.2	26.6	25.1	23.8	22.6
	66.0	45.0	45.0	45.0	45.0	45.0	45.0	41.0	37.3	34.2	31.6	29.3	27.4	25.6	24.1	22.8	21.6	20.5
	72.0	45.0	45.0	45.0	45.0	45.0	41.8	37.6	34.2	31.3	28.9	26.9	25.1	23.5	22.1	20.9	19.8	18.8
	78.0	45.0	45.0	45.0	45.0	43.4	38.6	34.7	31.6	28.9	26.7	24.8	23.1	21.7	20.4	19.3	18.3	17.4
	84.0	45.0	45.0	45.0	43.5	38.1	33.8	30.5	27.7	25.4	23.4	21.8	20.3	19.0	17.9	16.9	16.0	15.2
	90.0	45.0	45.0	41.3	35.4	30.9	27.5	24.8	22.5	20.6	19.0	17.7	16.5	15.5				
	96.0	45.0	40.8	34.0	29.1	25.5	22.7	20.4	18.5	17.0	15.7							
102.0	42.5	34.0	28.3	24.3	21.3	18.9	17.0	15.5										
108.0	35.8	28.7	23.9	20.5	17.9	15.9												
114.0	30.5	24.4	20.3	17.4	15.2													
120.0	26.1	20.9	17.4															

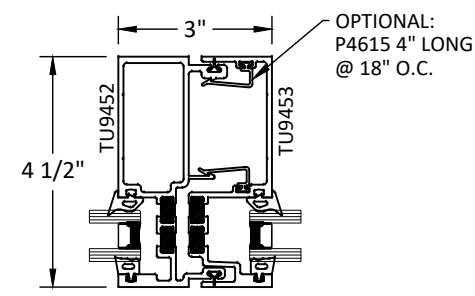
TITLE: 900RW SERIES THERMAL RIBBON WINDOW (NON-HVHZ)/(NON-IMPACT)
4-1/2" SYSTEM OUTSIDE/INSIDE GLAZED EXPANSION VERTICAL DETAILS DESIGN PRESSURE
PREPARED BY: BUILDING DROPS, INC.
398 E. DANIA BEACH BLVD., STE. 338
DANIA BEACH, FL 33004
PH: (954) 395-8478
FAX: (954) 744-4738
WEB: www.buildingdrops.com

REMARKS	BY	DATE
FBC 2020 UPDATE	LL	10/5

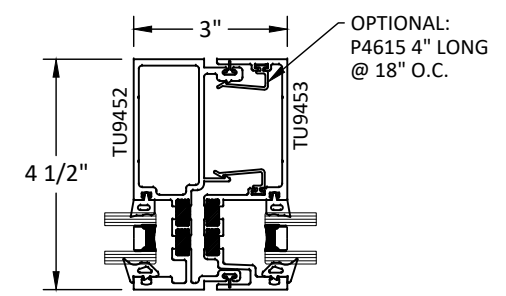
THE INSTALLATION DETAILS DESCRIBED HEREIN ARE GENERIC AND MAY NOT REFLECT ACTUAL CONDITIONS FOR A SPECIFIC SITE. IF SITE CONDITIONS CAUSE INSTALLATION TO DEVIATE FROM THE REQUIREMENTS DETAILED HEREIN, A LICENSED ENGINEER OR ARCHITECT SHALL PREPARE SITE SPECIFIC DOCUMENTS FOR USE WITH THIS DOCUMENT



A
12
ELEVATION A
VERTICAL MULLION
 $WIDTH (W) = \frac{W1 + W2}{2}$



B
12
MULLION OPTION 1
DUAL POUR, INSIDE GLAZED



C
12
MULLION OPTION 2
DUAL POUR, OUTSIDE GLAZED

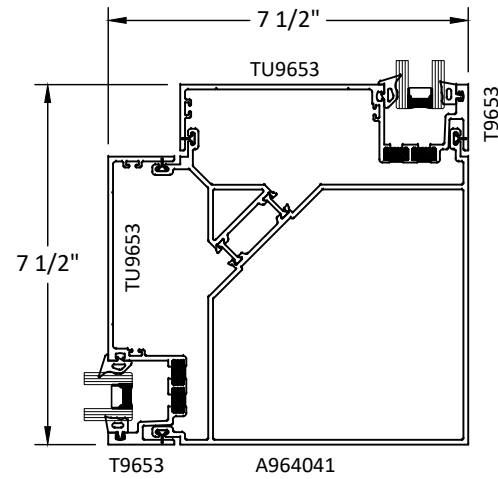
NOTE:
SINGLE POUR VERSIONS OF ALL
DUAL POURS APPLY. UNIQUE SINGLE
POUR OPTIONS ALSO SHOWN

FL #:
FL21062
DATE: **12.10.19**
DWG. BY: **JA** CHK. BY: **HFN**
SCALE: **NTS**
DWG. #: **TLI002**
SECTION
12
OF 20

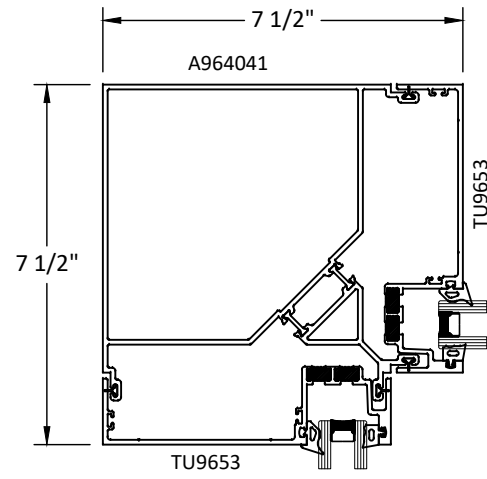
12/21/2020 9:04 AM
c:\Users\ps50\oneoffice - building drops - inc\101002-2020-12-21.dwg

12/21/2020 9:04 AM

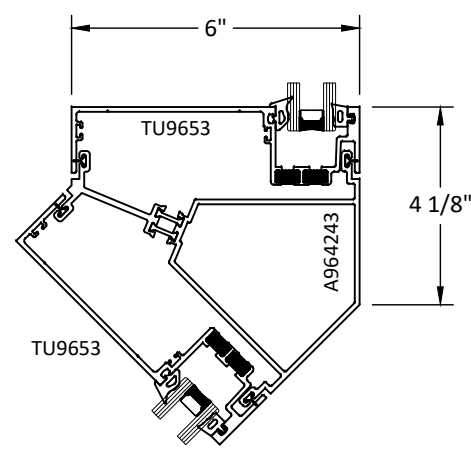
6" SYSTEM INSIDE GLAZED CORNER OPTIONS



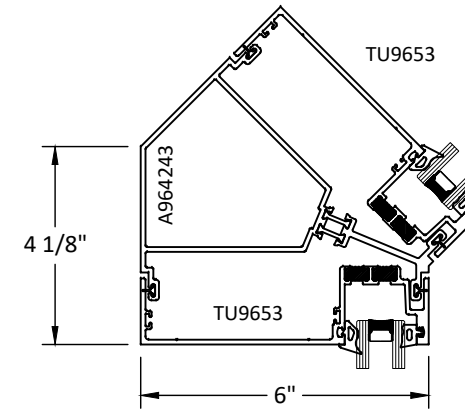
A
13 **CORNER OPTION 1**
DUAL POUR, INSIDE/OUTSIDE GLAZED
MAX. DESIGN PRESSURE: TABLE 1 & 2



B
13 **CORNER OPTION 2**
DUAL POUR, INSIDE/OUTSIDE GLAZED
MAX. DESIGN PRESSURE: TABLE 1 & 2

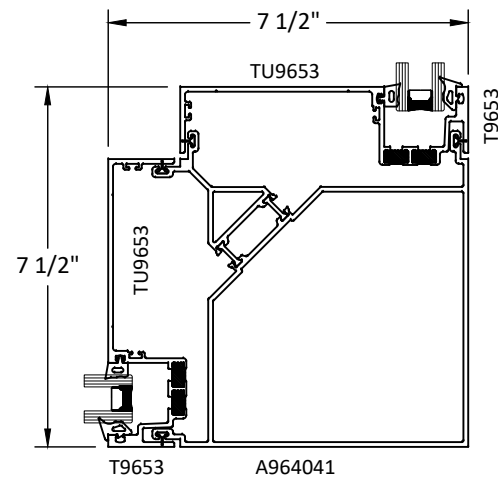


C
13 **CORNER OPTION 3**
DUAL POUR, INSIDE/OUTSIDE GLAZED
MAX. DESIGN PRESSURE: TABLE 1 & 2

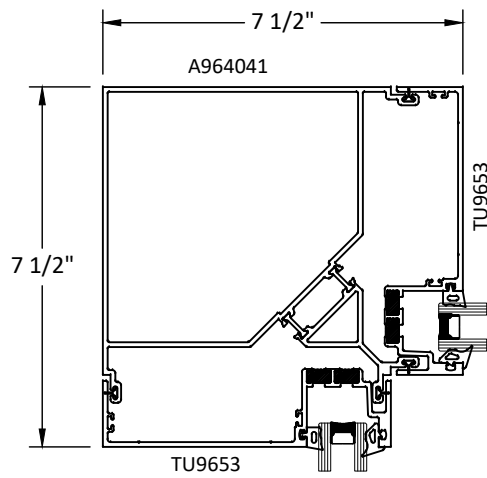


D
13 **CORNER OPTION 4**
DUAL POUR, INSIDE/OUTSIDE GLAZED
MAX. DESIGN PRESSURE: TABLE 1 & 2

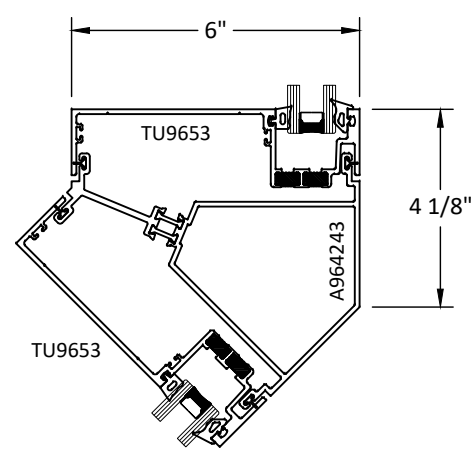
6" SYSTEM OUTSIDE GLAZED CORNER OPTIONS



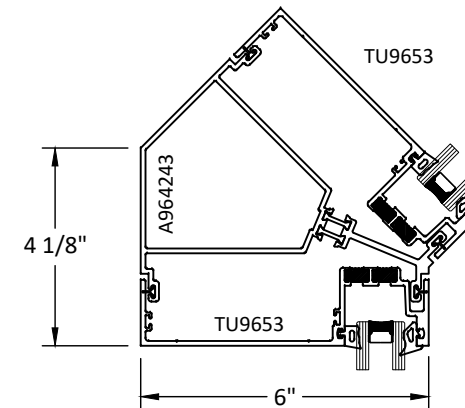
E
13 **CORNER OPTION 5**
DUAL POUR, INSIDE/OUTSIDE GLAZED
MAX. DESIGN PRESSURE: TABLE 1 & 2



F
13 **CORNER OPTION 6**
DUAL POUR, INSIDE/OUTSIDE GLAZED
MAX. DESIGN PRESSURE: TABLE 1 & 2



G
13 **CORNER OPTION 7**
DUAL POUR, INSIDE/OUTSIDE GLAZED
MAX. DESIGN PRESSURE: TABLE 1 & 2



H
13 **CORNER OPTION 8**
DUAL POUR, INSIDE/OUTSIDE GLAZED
MAX. DESIGN PRESSURE: TABLE 1 & 2

NOTE:
SINGLE POUR VERSIONS OF ALL
DUAL POURS APPLY. UNIQUE SINGLE
POUR OPTIONS ALSO SHOWN

TUBELITE
DEPENDABLE

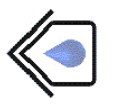
LEADERS IN ECO-EFFICIENT STOREFRONT,
CURTAINWALL AND ENTRANCE SYSTEMS

3056 WALKER RIDGE DRIVE N.W.
WALKER, MICHIGAN 49544
PH: 800 866 2227 FX: 616 301 0008

TITLE: 900RW SERIES THERMAL
RIBBON WINDOW
(NON-HVHZ)/(NON-IMPACT)

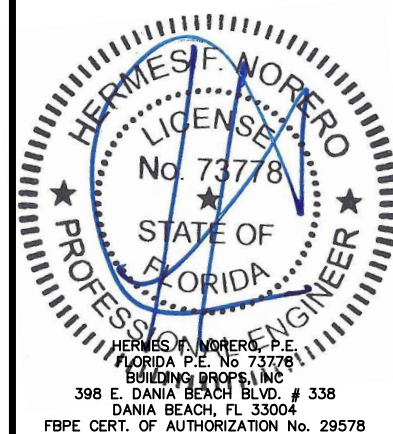
6" SYSTEM CORNER OPTIONS

PREPARED BY:
BUILDING DROPS, INC.
398 E. DANIA BEACH BLVD., STE. 338
DANIA BEACH, FL 33004
PH: (954) 395-8478
FAX: (954) 744-4738
WEB: www.buildingdrops.com



REMARKS	BY	DATE
FBC 2020 UPDATE	LL	10/5

THE INSTALLATION DETAILS DESCRIBED HEREIN ARE GENERIC
AND MAY NOT REFLECT ACTUAL CONDITIONS FOR A SPECIFIC
SITE. IF SITE CONDITIONS CAUSE INSTALLATION TO DEVIATE
FROM THE REQUIREMENTS DETAILED HEREIN, A LICENSED
ENGINEER OR ARCHITECT SHALL PREPARE SITE SPECIFIC
DOCUMENTS FOR USE WITH THIS DOCUMENT



FL #: **FL21062**

DATE: **12.10.19**

DWG. BY: **JA** CHK. BY: **HFN**

SCALE: **NTS**

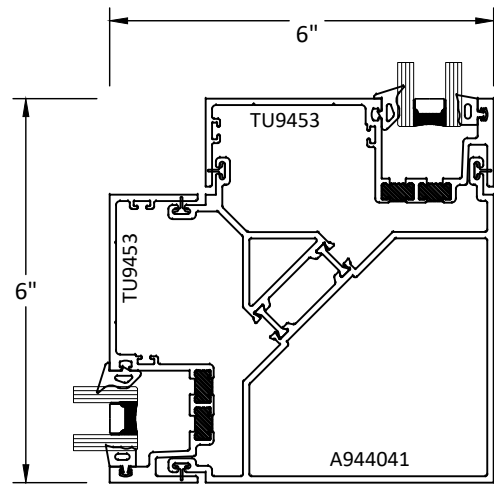
DWG. #: **TLI002**

SECTION
13

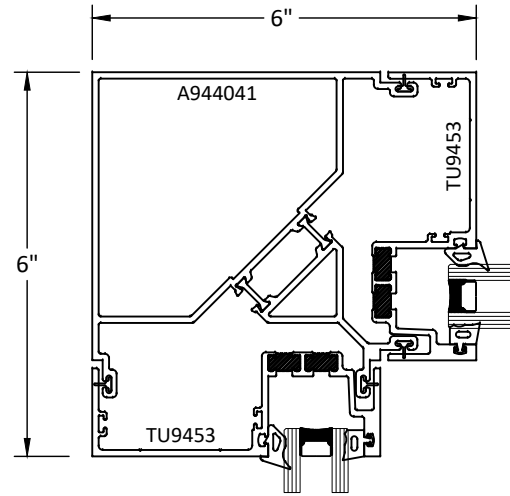
c:\Users\ps50\one-drive - building drops - inc\1002-2020-12-21.dwg

12/21/2020 9:04 AM

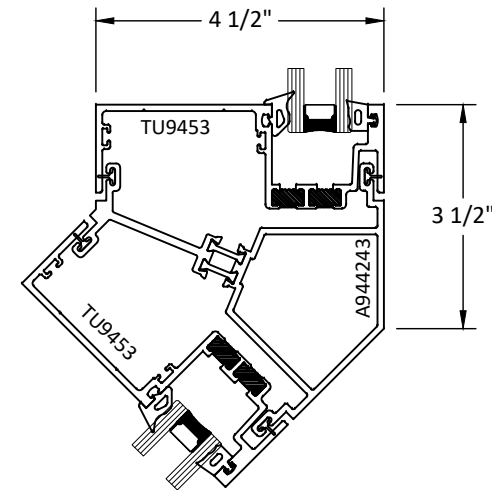
4-1/2" SYSTEM INSIDE GLAZED CORNER OPTIONS



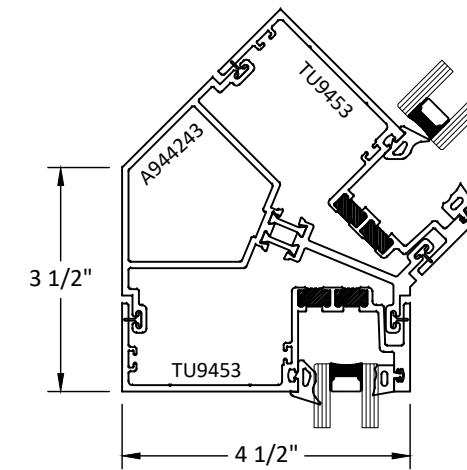
A
14 **CORNER OPTION 1**
DUAL POUR, INSIDE/OUTSIDE GLAZED
MAX. DESIGN PRESSURE: TABLE 4 & 5



B
14 **CORNER OPTION 2**
DUAL POUR, INSIDE/OUTSIDE GLAZED
MAX. DESIGN PRESSURE: TABLE 4 & 5

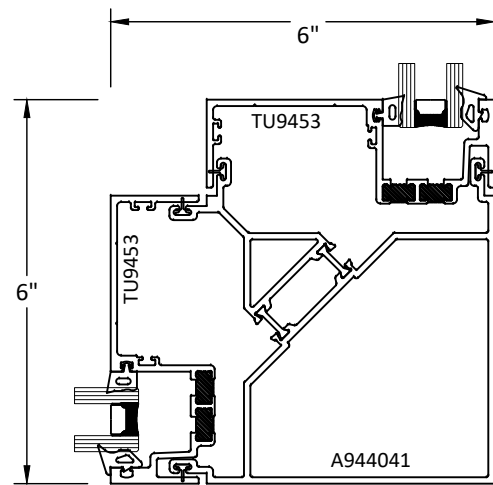


C
14 **CORNER OPTION 3**
DUAL POUR, INSIDE/OUTSIDE GLAZED
MAX. DESIGN PRESSURE: TABLE 4 & 5

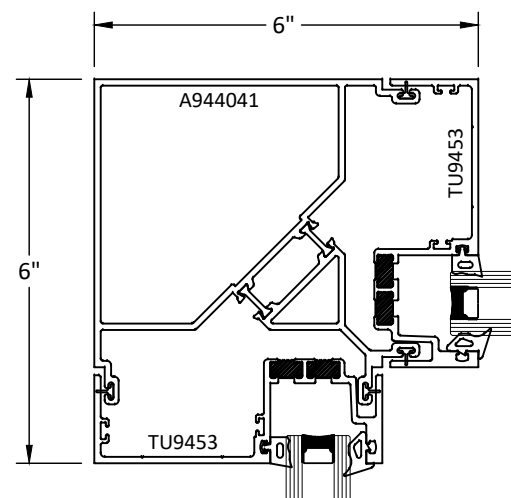


D
14 **CORNER OPTION 4**
DUAL POUR, INSIDE/OUTSIDE GLAZED
MAX. DESIGN PRESSURE: TABLE 4 & 5

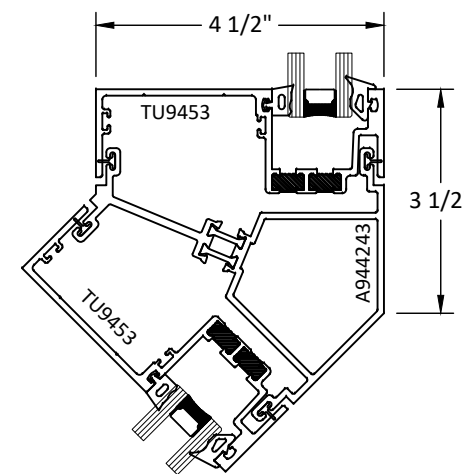
4-1/2" OUTSIDE GLAZED CORNER OPTIONS



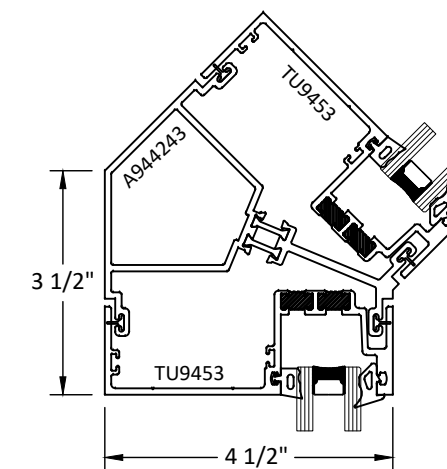
E
14 **CORNER OPTION 5**
DUAL POUR, INSIDE/OUTSIDE GLAZED
MAX. DESIGN PRESSURE: TABLE 4 & 5



F
14 **CORNER OPTION 6**
DUAL POUR, INSIDE/OUTSIDE GLAZED
MAX. DESIGN PRESSURE: TABLE 4 & 5



G
14 **CORNER OPTION 7**
DUAL POUR, INSIDE/OUTSIDE GLAZED
MAX. DESIGN PRESSURE: TABLE 4 & 5



H
14 **CORNER OPTION 8**
DUAL POUR, INSIDE/OUTSIDE GLAZED
MAX. DESIGN PRESSURE: TABLE 4 & 5

NOTE:
SINGLE POUR VERSIONS OF ALL
DUAL POURS APPLY. UNIQUE SINGLE
POUR OPTIONS ALSO SHOWN

TUBELITE
DEPENDABLE

LEADERS IN ECO-EFFICIENT STOREFRONT,
CURTAINWALL AND ENTRANCE SYSTEMS

3056 WALKER RIDGE DRIVE N.W.
WALKER, MICHIGAN 49544
PH: 800 866 2227 FX: 616 301 0008

TITLE: 900RW SERIES THERMAL
RIBBON WINDOW
(NON-HVHZ)/(NON-IMPACT)

4-1/2" SYSTEM CORNER OPTIONS

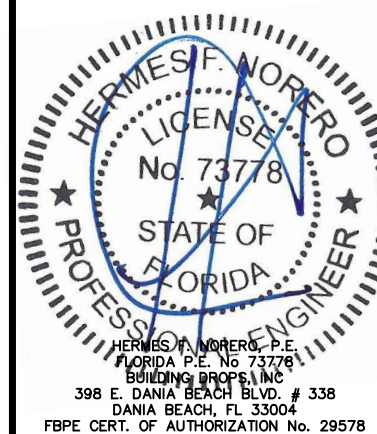
PREPARED BY:
BUILDING DROPS, INC.

398 E. DANIA BEACH BLVD., STE. 338
DANIA BEACH, FL 33004
PH: (954) 399-8478
FAX: (954) 744-4738
WEB: www.buildingdrops.com



REMARKS	BY	DATE
FBC 2020 UPDATE	LL	10/5

THE INSTALLATION DETAILS DESCRIBED HEREIN ARE GENERIC AND MAY NOT REFLECT ACTUAL CONDITIONS FOR A SPECIFIC SITE. IF SITE CONDITIONS CAUSE INSTALLATION TO DEVIATE FROM THE REQUIREMENTS DETAILED HEREIN, A LICENSED ENGINEER OR ARCHITECT SHALL PREPARE SITE SPECIFIC DOCUMENTS FOR USE WITH THIS DOCUMENT



FL #:
FL21062

DATE: **12.10.19**

DWG. BY: **JA** CHK. BY: **HFN**

SCALE: **NTS**

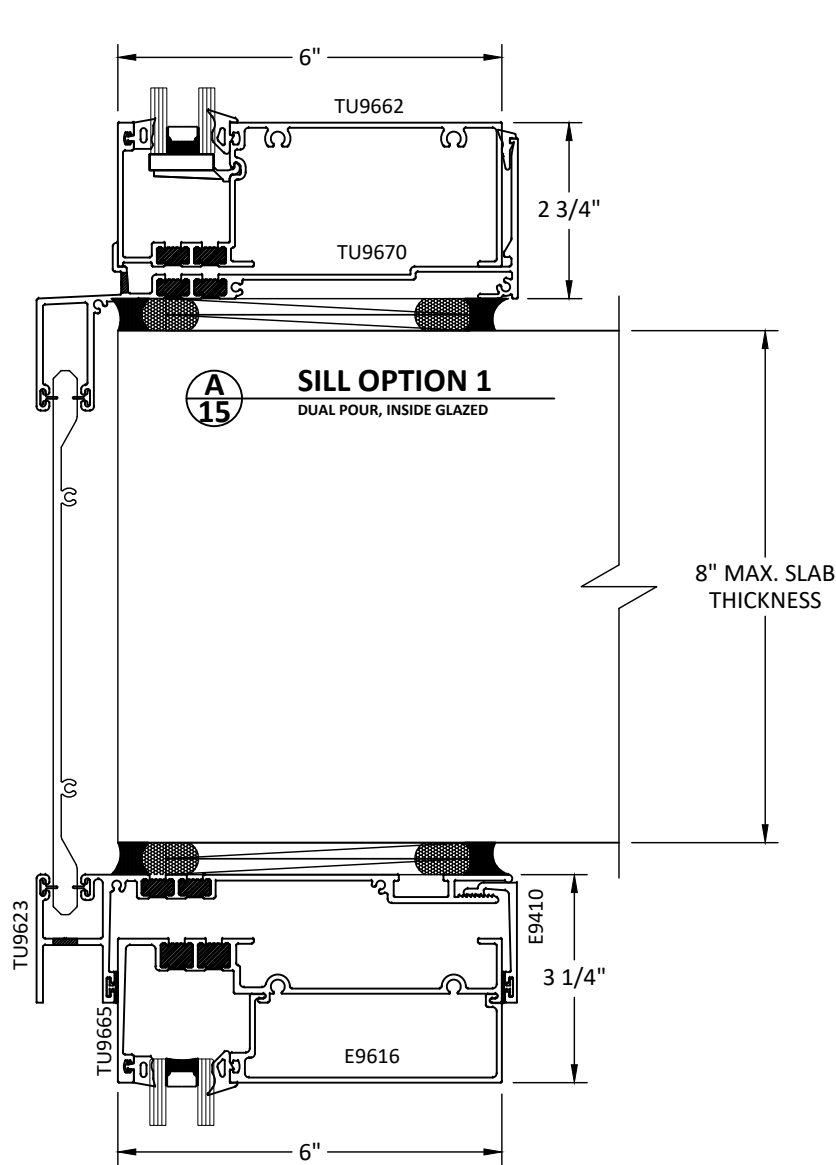
DWG. #: **TLI002**

SECTION
14

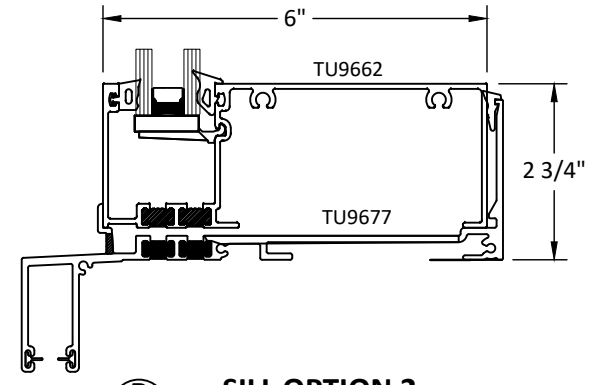
c:\Users\jps50\one-drive - building drops - inc\1002-2020-12-21.dwg

12/21/2020 9:04 AM

6" SYSTEM INSIDE GLAZED SILL WITH SLAB COVER OPTIONS

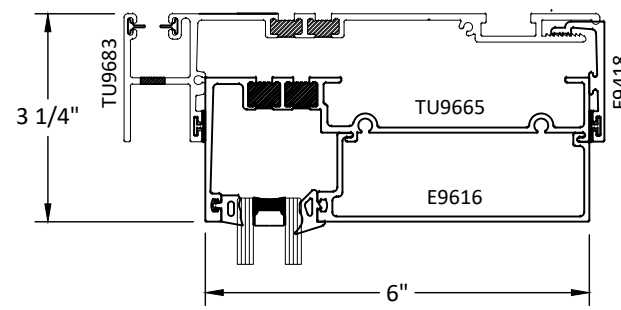


A
15 SILL OPTION 1
DUAL POUR, INSIDE GLAZED

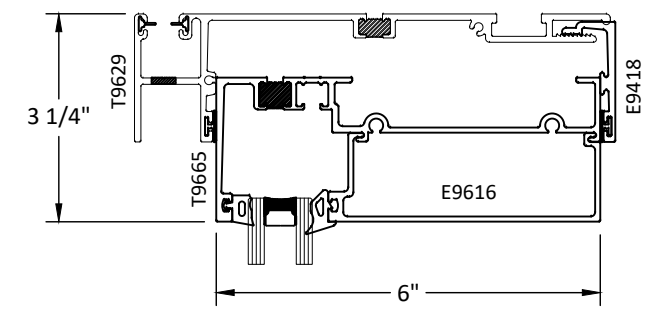


B
15 SILL OPTION 2
DUAL POUR, INSIDE GLAZED

6" SYSTEM INSIDE GLAZED HEAD WITH SLAB COVER OPTIONS



D
15 HEAD OPTION 2
DUAL POUR, INSIDE GLAZED



E
15 HEAD OPTION 3
DUAL POUR, INSIDE GLAZED

C
15 HEAD OPTION 1
DUAL POUR, INSIDE GLAZED

MAX. SLAB THICKNESS	SLAB COVER EXTRUSION
8.00"	E9414
7.00"	E909U01
6.25"	E9427
5.25"	E907T05
4.75"	E9624

NOTE:
SINGLE POUR VERSIONS OF ALL
DUAL POURS APPLY. UNIQUE SINGLE
POUR OPTIONS ALSO SHOWN

TUBELITE®
DEPENDABLE

LEADERS IN ECO-EFFICIENT STOREFRONT,
CURTAINWALL AND ENTRANCE SYSTEMS

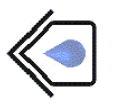
3056 WALKER RIDGE DRIVE N.W.
WALKER, MICHIGAN 49544
PH: 800 866 2227 FX: 616 301 0008

TITLE: 900RW SERIES THERMAL
RIBBON WINDOW
(NON-HVHZ)/(NON-IMPACT)

6" SYSTEM INSIDE GLAZED DETAILS
WITH SLAB COVER OPTION

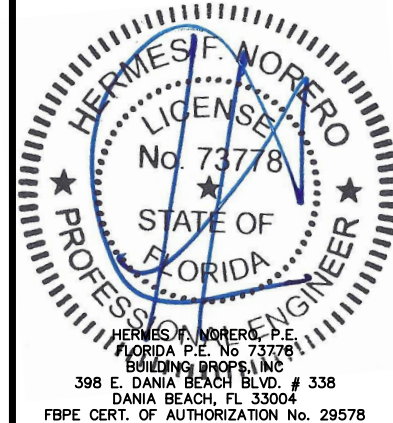
PREPARED BY:
BUILDING DROPS, INC.

398 E. DANIA BEACH BLVD., STE. 338
DANIA BEACH, FL 33004
PH: (954) 399-8478
FAX: (954) 744-4738
WEB: www.buildingdrops.com



REMARKS	BY	DATE
FBC 2020 UPDATE	LL	10/5

THE INSTALLATION DETAILS DESCRIBED HEREIN ARE GENERIC
AND MAY NOT REFLECT ACTUAL CONDITIONS FOR A SPECIFIC
SITE. IF SITE CONDITIONS CAUSE INSTALLATION TO DEVIATE
FROM THE REQUIREMENTS DETAILED HEREIN, A LICENSED
ENGINEER OR ARCHITECT SHALL PREPARE SITE SPECIFIC
DOCUMENTS FOR USE WITH THIS DOCUMENT



FL #: **FL21062**

DATE: **12.10.19**

DWG. BY: **JA** CHK. BY: **HFN**

SCALE: **NTS**

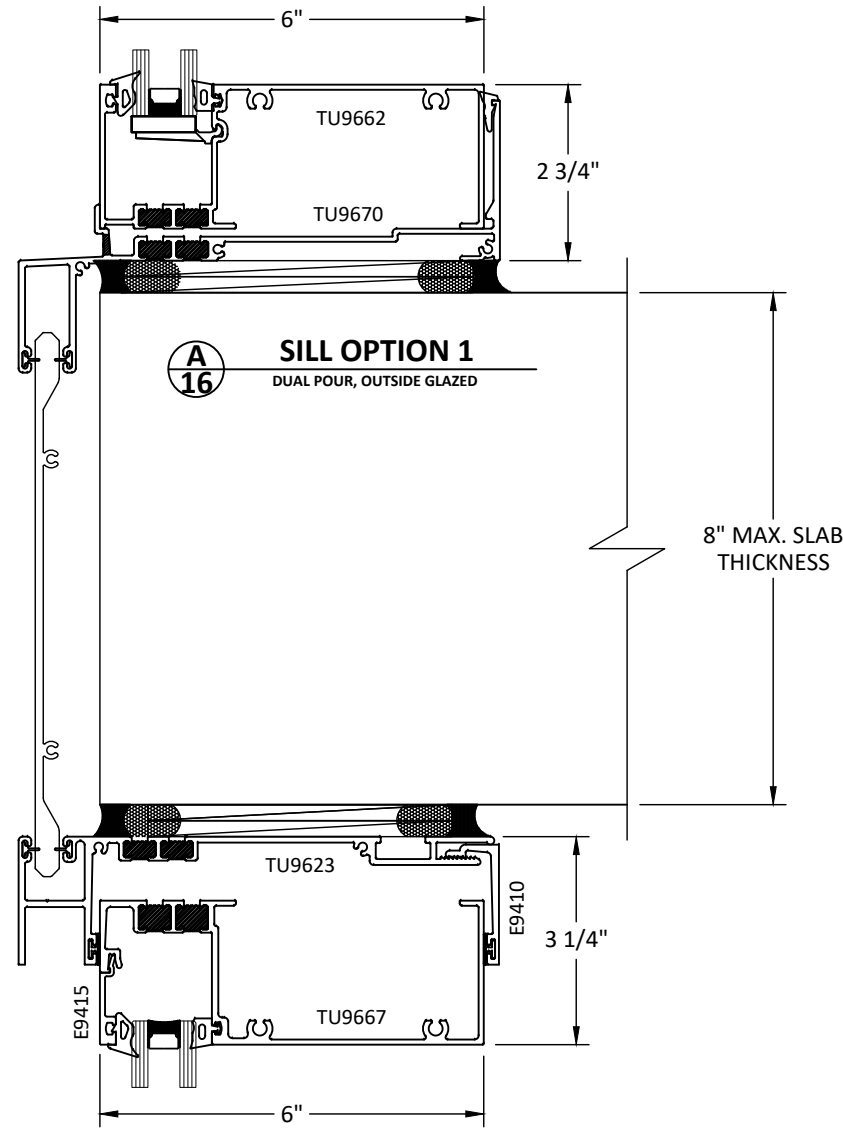
DWG. #: **TLI002**

SECTION
15

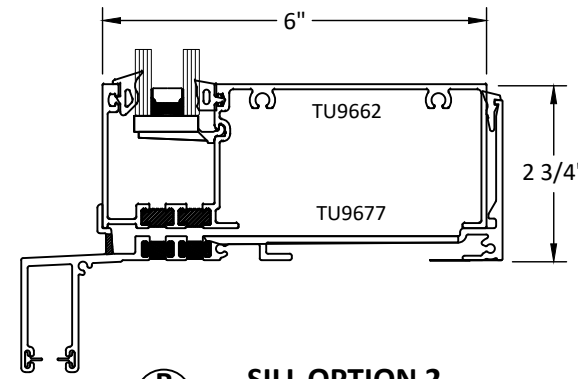
c:\Users\jps01\one-drive - building drops - inc\101002-2020-12-21.dwg

12/21/2020 9:04 AM

6" SYSTEM OUTSIDE GLAZED SILL WITH SLAB COVER OPTIONS

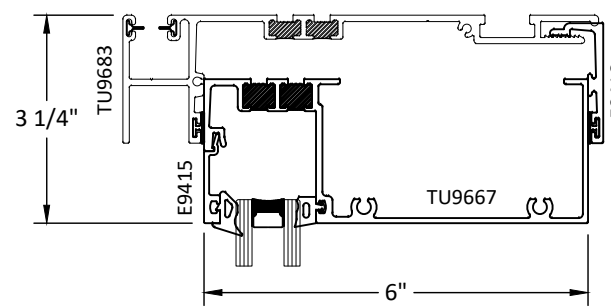


A
16 SILL OPTION 1
DUAL POUR, OUTSIDE GLAZED

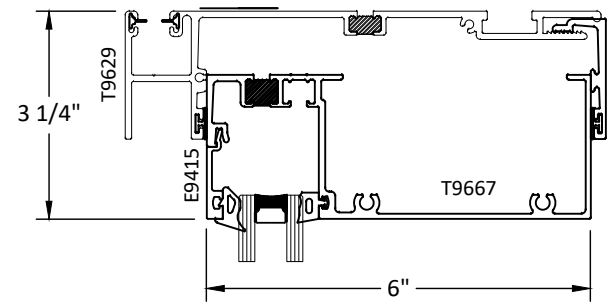


B
16 SILL OPTION 2
DUAL POUR, OUTSIDE GLAZED

6" SYSTEM OUTSIDE GLAZED HEAD WITH SLAB COVER OPTIONS



D
16 HEAD OPTION 2
DUAL POUR, OUTSIDE GLAZED



E
16 HEAD OPTION 3
DUAL POUR, OUTSIDE GLAZED

C
16 HEAD OPTION 1
DUAL POUR, OUTSIDE GLAZED

MAX. SLAB THICKNESS	SLAB COVER EXTRUSION
8.00"	E9414
7.00"	E909U01
6.25"	E9427
5.25"	E907T05
4.75"	E9624

NOTE:
SINGLE POUR VERSIONS OF ALL
DUAL POURS APPLY. UNIQUE SINGLE
POUR OPTIONS ALSO SHOWN

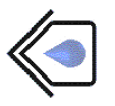
TUBELITE
DEPENDABLE
LEADERS IN ECO-EFFICIENT STOREFRONT,
CURTAINWALL AND ENTRANCE SYSTEMS

3056 WALKER RIDGE DRIVE N.W.
WALKER, MICHIGAN 49544
PH: 800 866 2227 FX: 616 301 0008

TITLE: 900RW SERIES THERMAL
RIBBON WINDOW
(NON-HVHZ)/(NON-IMPACT)

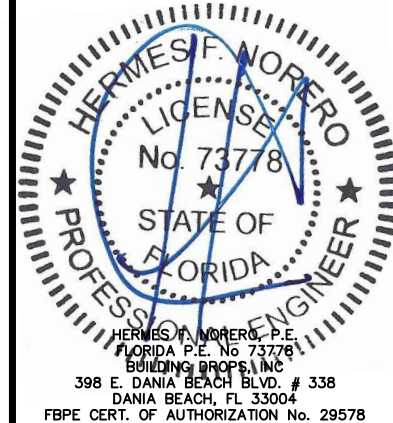
6" SYSTEM OUTSIDE GLAZED DETAILS
WITH SLAB COVER OPTION

PREPARED BY:
BUILDING DROPS, INC.
398 E. DANIA BEACH BLVD., STE. 338
DANIA BEACH, FL 33004
PH: (954) 399-8478
FAX: (954) 744-4738
WEB: www.buildingdrops.com



REMARKS	BY	DATE
FBC 2020 UPDATE	LL	10/5

THE INSTALLATION DETAILS DESCRIBED HEREIN ARE GENERIC AND MAY NOT REFLECT ACTUAL CONDITIONS FOR A SPECIFIC SITE. IF SITE CONDITIONS CAUSE INSTALLATION TO DEVIATE FROM THE REQUIREMENTS DETAILED HEREIN, A LICENSED ENGINEER OR ARCHITECT SHALL PREPARE SITE SPECIFIC DOCUMENTS FOR USE WITH THIS DOCUMENT



FL #: **FL21062**

DATE: **12.10.19**

DWG. BY: **JA** CHK. BY: **HFN**

SCALE: **NTS**

DWG. #: **TLI002**

SECTION
16

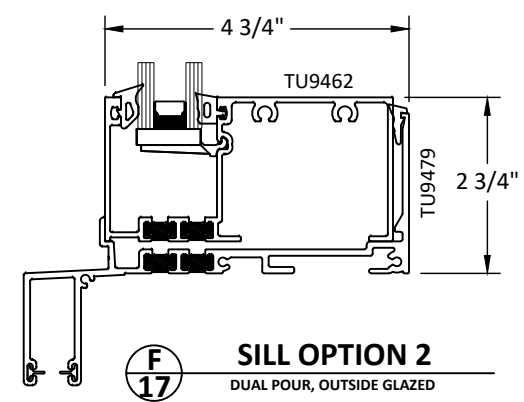
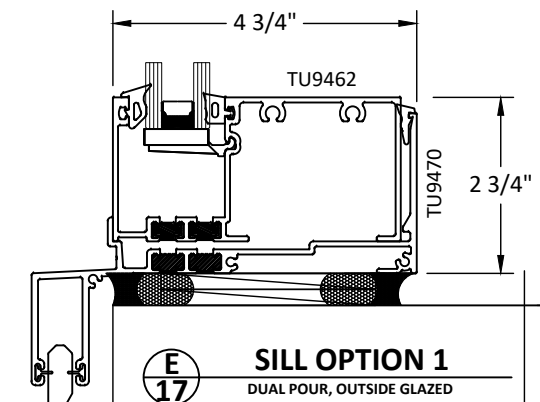
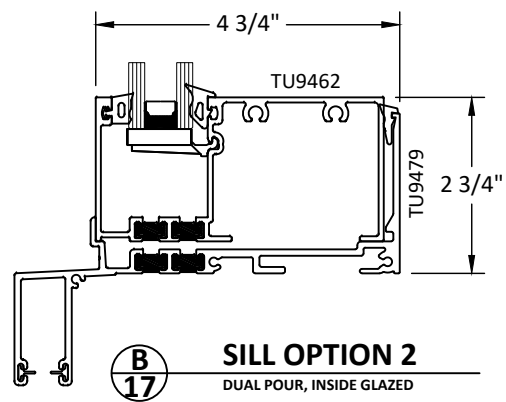
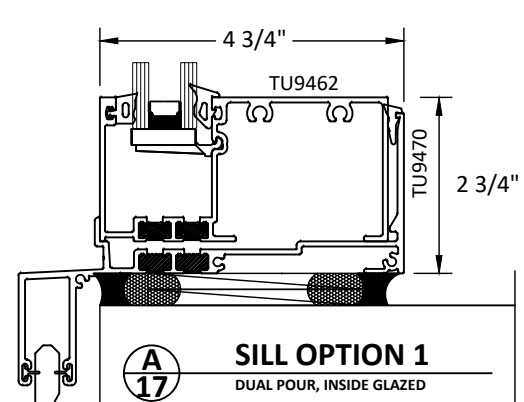
c:\Users\jps01\one-drive - building drops - inc\101002-2020-12-21.dwg

12/21/2020 9:04 AM

4-1/2" SYSTEM

INSIDE GLAZED SILL WITH SLAB COVER OPTIONS

OUTSIDE GLAZED SILL WITH SLAB COVER OPTIONS



A SILL OPTION 1
DUAL POUR, INSIDE GLAZED

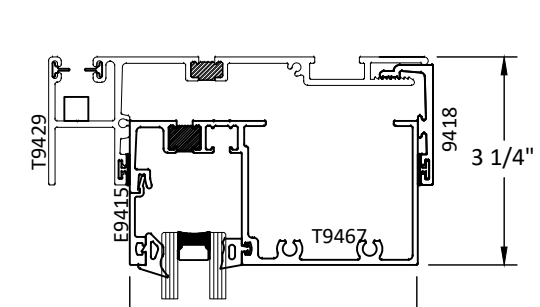
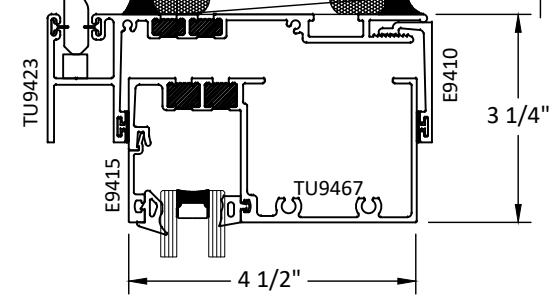
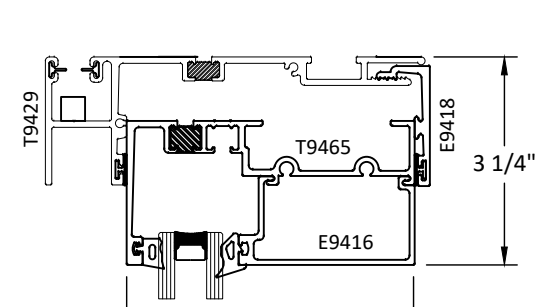
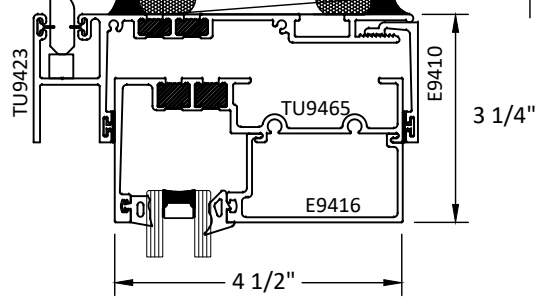
B SILL OPTION 2
DUAL POUR, INSIDE GLAZED

E SILL OPTION 1
DUAL POUR, OUTSIDE GLAZED

F SILL OPTION 2
DUAL POUR, OUTSIDE GLAZED

INSIDE GLAZED HEAD WITH SLAB COVER OPTIONS

OUTSIDE GLAZED HEAD WITH SLAB COVER OPTIONS



C HEAD OPTION 1
DUAL POUR, INSIDE GLAZED

D HEAD OPTION 2
DUAL POUR, INSIDE GLAZED

G HEAD OPTION 1
DUAL POUR, OUTSIDE GLAZED

H HEAD OPTION 2
DUAL POUR, OUTSIDE GLAZED

MAX. SLAB THICKNESS	SLAB COVER EXTRUSION
8.00"	E9414
7.00"	E909U01
6.25"	E9427
5.25"	E907T05
4.75"	E9624

MAX. SLAB THICKNESS	SLAB COVER EXTRUSION
8.00"	E9414
7.00"	E909U01
6.25"	E9427
5.25"	E907T05
4.75"	E9624

NOTE:
SINGLE POUR VERSIONS OF ALL DUAL POURS APPLY. UNIQUE SINGLE POUR OPTIONS ALSO SHOWN

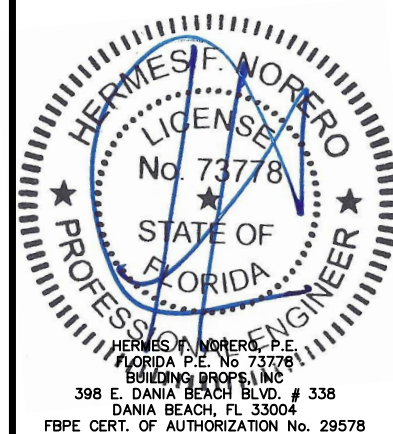
TUBELITE
DEPENDABLE
LEADERS IN ECO-EFFICIENT STOREFRONT, CURTAINWALL AND ENTRANCE SYSTEMS

3056 WALKER RIDGE DRIVE N.W.
WALKER, MICHIGAN 49544
PH: 800 866 2227 FX: 616 301 0008

TITLE: 900RW SERIES THERMAL RIBBON WINDOW (NON-HVHZ)/(NON-IMPACT)
4-1/2" SYSTEM INSIDE AND OUTSIDE GLAZED DETAILS WITH SLAB COVER OPTION
PREPARED BY: BUILDING DROPS, INC.
398 E. DANIA BEACH BLVD., STE. 338
DANIA BEACH, FL 33004
PH: (954) 399-8478
FAX: (954) 744-4738
WEB: www.buildingdrops.com

REMARKS	BY	DATE
FBC 2020 UPDATE	LL	10/5

THE INSTALLATION DETAILS DESCRIBED HEREIN ARE GENERIC AND MAY NOT REFLECT ACTUAL CONDITIONS FOR A SPECIFIC SITE. IF SITE CONDITIONS CAUSE INSTALLATION TO DEVIATE FROM THE REQUIREMENTS DETAILED HEREIN, A LICENSED ENGINEER OR ARCHITECT SHALL PREPARE SITE SPECIFIC DOCUMENTS FOR USE WITH THIS DOCUMENT



FL #: **FL21062**

DATE: **12.10.19**

DWG. BY: **JA** CHK. BY: **HFN**

SCALE: **NTS**

DWG. #: **TLI002**

SECTION **17**

c:\Users\p50\OneDrive - building drops, inc\TU002 2020-12-21.dwg

ANCHOR LOAD CAPACITY (+/- PSF), TABLE 7

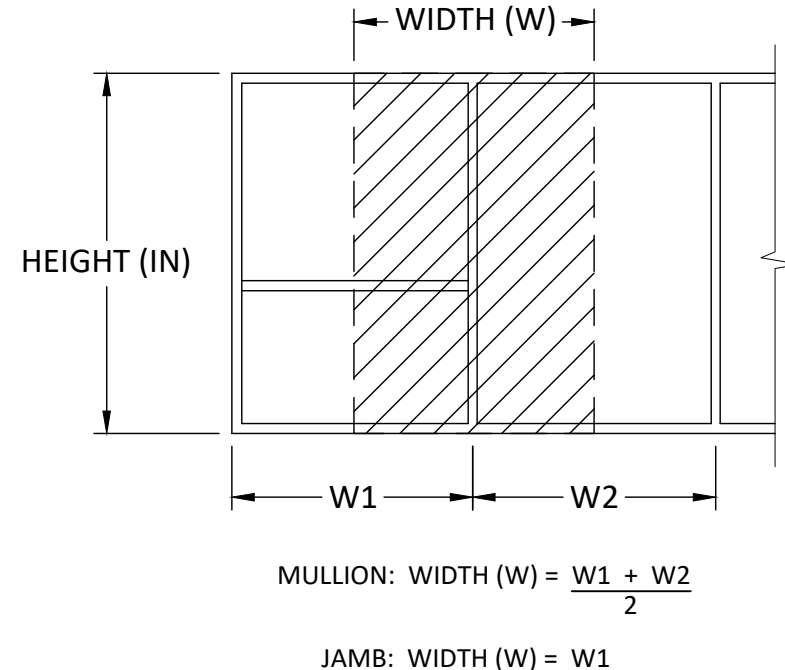
Table with columns: WIDTH (IN), HEIGHT (IN), ANCHOR A1, ANCHOR B1, ANCHOR C1, ANCHOR A2, ANCHOR B2, ANCHOR C2, ANCHOR A3, ANCHOR B3, ANCHOR C3. Rows show capacity values for various dimensions and anchor configurations.

ANCHOR LOAD CAPACITY (+/- PSF), TABLE 8

Table with columns: WIDTH (IN), HEIGHT (IN), ANCHOR A1, ANCHOR B1, ANCHOR C1, ANCHOR A2, ANCHOR B2, ANCHOR C2, ANCHOR A3, ANCHOR B3, ANCHOR C3. Rows show capacity values for various dimensions and anchor configurations.

ANCHOR SCHEDULE, TABLE 9

Table with columns: TYPE, ANCHOR, SUBSTRATE, MIN. EMBEDMENT, MIN. EDGE DISTANCE. Lists various anchor types like 1/4" ELCO ULTRACON, 1/4" ITW TAPCON, and #14 WOOD SCREW.



TUBELITE

DEPENDABLE
LEADERS IN ECO-EFFICIENT STOREFRONT,
CURTAINWALL AND ENTRANCE SYSTEMS

3056 WALKER RIDGE DRIVE N.W.
WALKER, MICHIGAN 49544
PH: 800 866 2227 FX: 616 301 0008

TITLE: 900RW SERIES THERMAL
RIBBON WINDOW
(NON-HVHZ)/(NON-IMPACT)

ANCHOR LOAD CAPACITY

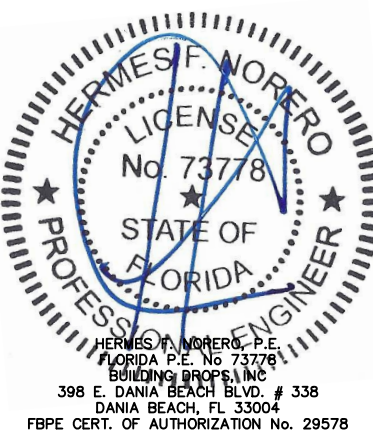
PREPARED BY:
BUILDING DROPS, INC.

398 E. DANIA BEACH BLVD., STE. 338
DANIA BEACH, FL 33004
PH: (954) 395-8478
FAX: (954) 744-4738
WEB: www.buildingdrops.com



REMARKS BY DATE
FBC 2020 UPDATE LL 10/5

THE INSTALLATION DETAILS DESCRIBED HEREIN ARE GENERIC AND MAY NOT REFLECT ACTUAL CONDITIONS FOR A SPECIFIC SITE. IF SITE CONDITIONS CAUSE INSTALLATION TO DEVIATE FROM THE REQUIREMENTS DETAILED HEREIN, A LICENSED ENGINEER OR ARCHITECT SHALL PREPARE SITE SPECIFIC DOCUMENTS FOR USE WITH THIS DOCUMENT.



FL #:
DATE:

FL21062

DATE: 12.10.19

DWG. BY: JA CHK. BY: HFN

SCALE: NTS

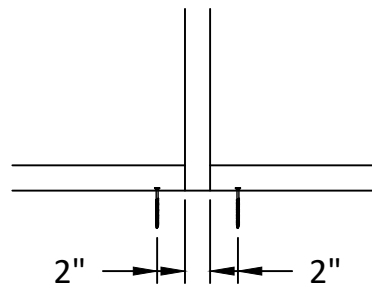
DWG. #: TLI002

SECTION

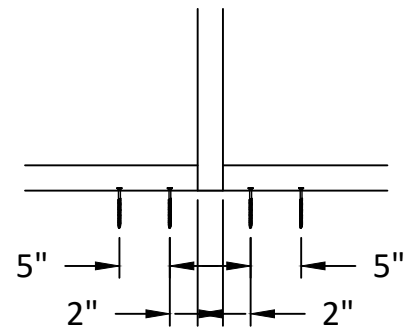
18

6" AND 4-1/2" SYSTEMS

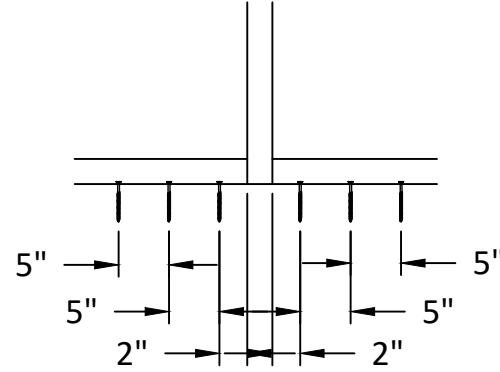
MULLION ANCHOR CONFIGURATIONS



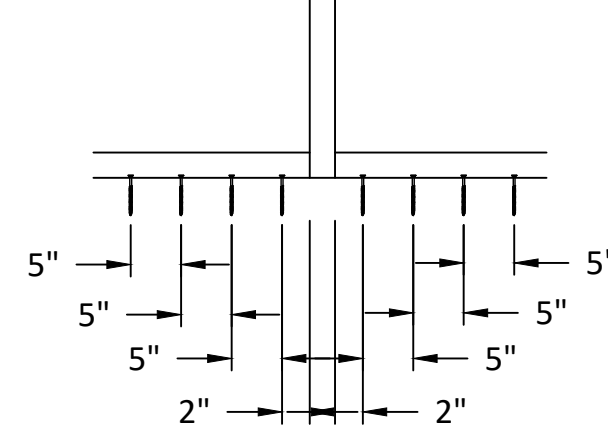
A
19 ANCHOR
A1, B1, C1, D1



B
19 ANCHOR
A2, B2, C2, D2

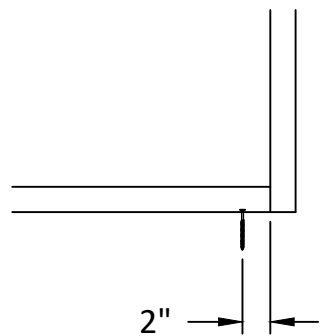


C
19 ANCHOR
A3, B3, C3, D3

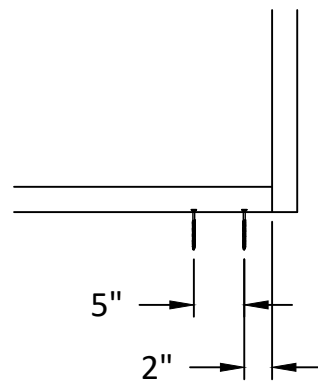


D
19 ANCHOR
A4, B4, C4, D4

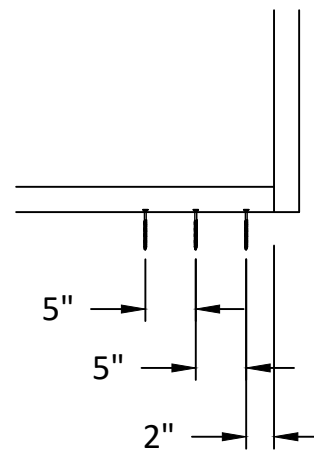
JAMB ANCHOR CONFIGURATIONS



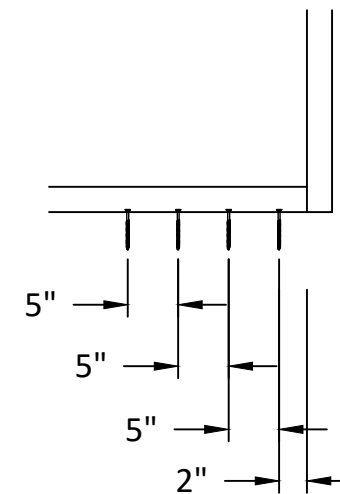
E
19 ANCHOR
A1, B1, C1, D1



F
19 ANCHOR
A2, B2, C2, D2



G
19 ANCHOR
A3, B3, C3, D3



H
19 ANCHOR
A4, B4, C4, D4

TUBELITE
DEPENDABLE
LEADERS IN ECO-EFFICIENT STOREFRONT,
CURTAINWALL AND ENTRANCE SYSTEMS

3056 WALKER RIDGE DRIVE N.W.
WALKER, MICHIGAN 49544
PH: 800 866 2227 FX: 616 301 0008

TITLE: 900RW SERIES THERMAL
RIBBON WINDOW
(NON-HVHZ)(NON-IMPACT)

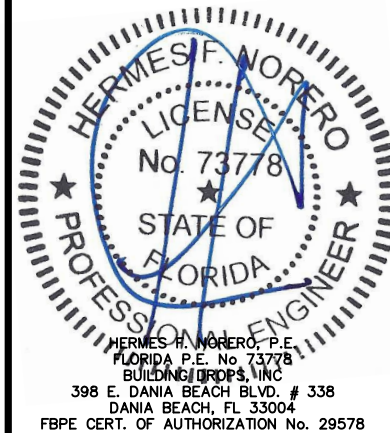
ANCHOR CONFIGURATIONS

PREPARED BY:
BUILDING DROPS, INC.
398 E. DANIA BEACH BLVD., STE. 338
DANIA BEACH, FL 33004
PH: (954) 959-8478
FAX: (954) 744-4738
WEB: www.buildingdrops.com



REMARKS	BY	DATE
FBC 2020 UPDATE	LL	10/5

THE INSTALLATION DETAILS DESCRIBED HEREIN ARE GENERIC AND MAY NOT REFLECT ACTUAL CONDITIONS FOR A SPECIFIC SITE. IF SITE CONDITIONS CAUSE INSTALLATION TO DEVIATE FROM THE REQUIREMENTS DETAILED HEREIN, A LICENSED ENGINEER OR ARCHITECT SHALL PREPARE SITE SPECIFIC DOCUMENTS FOR USE WITH THIS DOCUMENT



FL #: **FL21062**

DATE: **12.10.19**

DWG. BY: **JA** | CHK. BY: **HFN**

SCALE: **NTS**

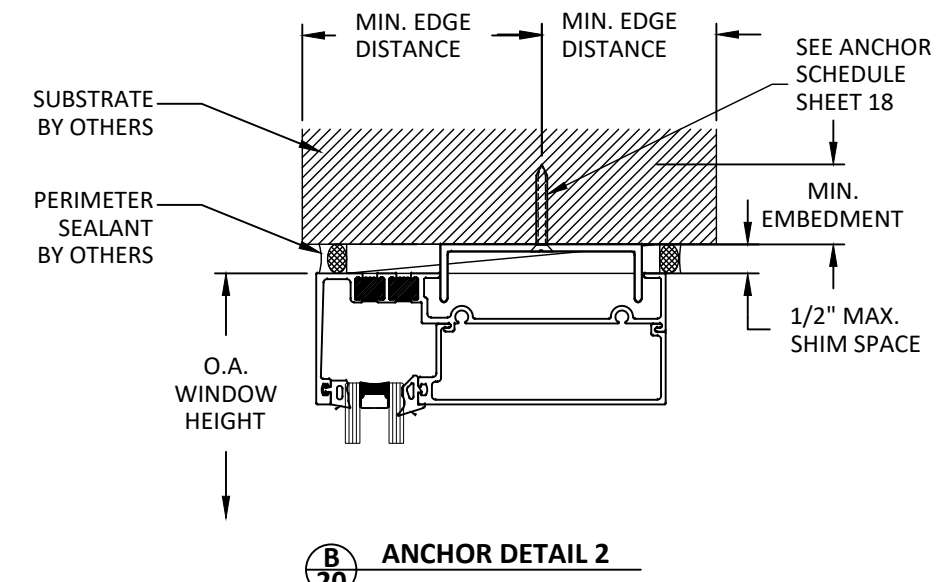
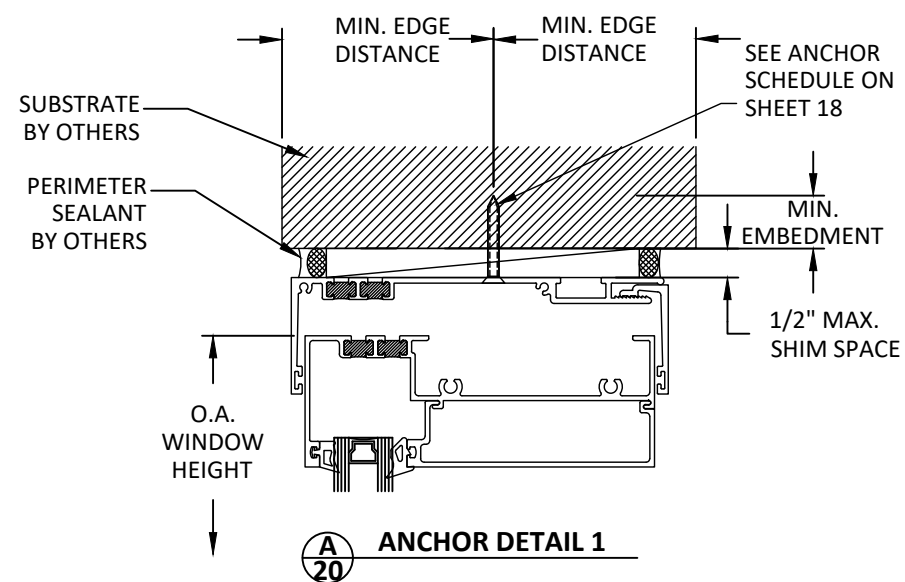
DWG. #: **TLI002**

SECTION
19

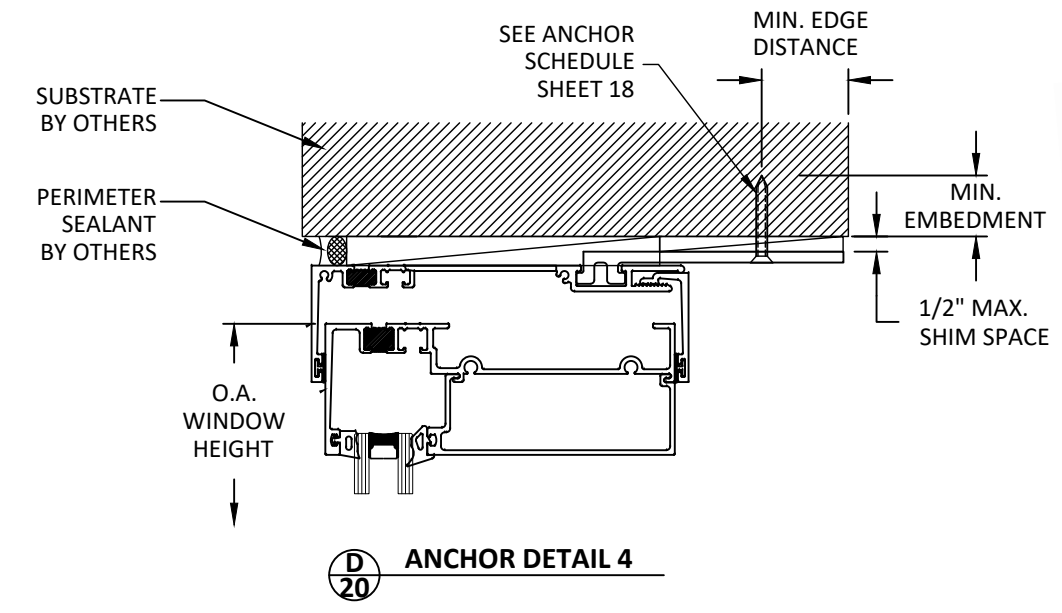
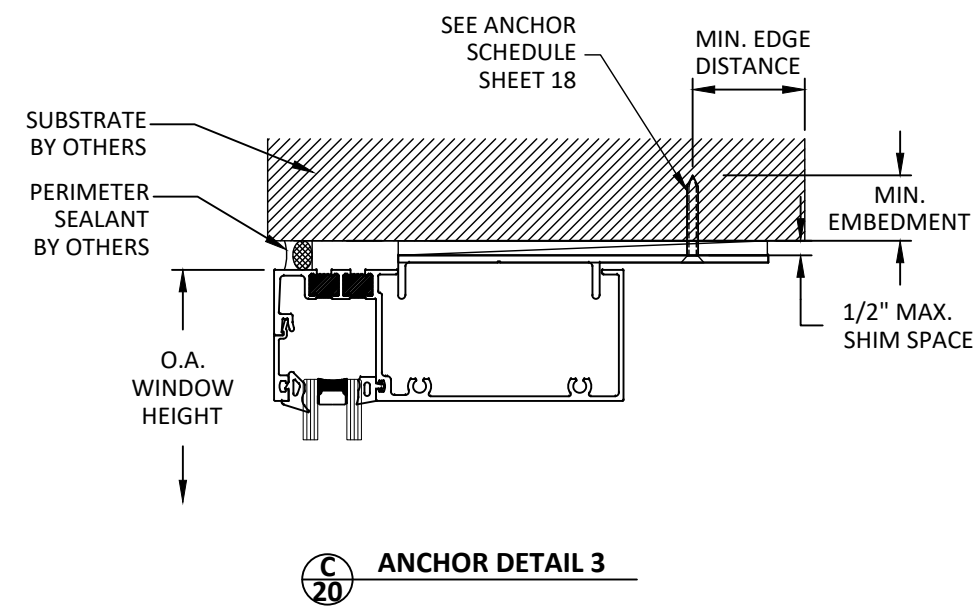
12/21/2020 9:04 AM

INSTALLATION NOTES:

- SEE SHEET 18 FOR ANCHOR TYPE REQUIREMENTS, MINIMUM EMBEDMENT, AND MINIMUM EDGE DISTANCES. ALL ANCHOR REQUIREMENTS MUST BE ADHERED TO. ANY DEVIATIONS FROM ANCHOR REQUIREMENTS REQUIRES SEPARATE EVALUATION AND APPROVAL.
- ONE (1) INSTALLATION ANCHOR IS REQUIRED AT EACH ANCHOR LOCATION SHOWN.
- THE NUMBER OF INSTALLATION ANCHORS DEPICTED IS THE MINIMUM NUMBER OF ANCHORS TO BE USED FOR PRODUCT INSTALLATION.
- INSTALL INDIVIDUAL INSTALLATION ANCHORS WITHIN A TOLERANCE OF $\pm 1/2$ INCH OF THE DEPICTED LOCATION IN THE ANCHOR LAYOUT DETAIL (I.E., WITHOUT CONSIDERATION OF TOLERANCES). TOLERANCES ARE NOT CUMULATIVE FROM ONE INSTALLATION ANCHOR TO THE NEXT.
- SHIM AS REQUIRED AT EACH INSTALLATION ANCHOR WITH LOAD BEARING SHIM(S). MAXIMUM ALLOWABLE SHIM STACK TO BE 1/2 INCH. SHIM WHERE SPACE OF 1/16 INCH OR GREATER OCCURS. SHIM(S) SHALL BE CONSTRUCTED OF HIGH DENSITY PLASTIC OR BETTER.
- MINIMUM EMBEDMENT AND EDGE DISTANCE EXCLUDE WALL FINISHES, INCLUDING BUT NOT LIMITED TO STUCCO, FOAM, BRICK VENEER, AND SIDING.
- INSTALLATION ANCHORS AND ASSOCIATED HARDWARE MUST BE MADE OF CORROSION RESISTANT MATERIAL OR HAVE A CORROSION RESISTANT COATING.
- FOR HOLLOW BLOCK AND GROUT FILLED BLOCK, DO NOT INSTALL INSTALLATION ANCHORS INTO MORTAR JOINTS. EDGE DISTANCE IS MEASURED FROM FREE EDGE OF BLOCK OR EDGE OF MORTAR JOINT INTO FACE SHELL OF BLOCK.
- INSTALLATION ANCHORS SHALL BE INSTALLED IN ACCORDANCE WITH ANCHOR MANUFACTURER'S INSTALLATION INSTRUCTIONS, AND ANCHORS SHALL NOT BE USED IN SUBSTRATES WITH STRENGTHS LESS THAN THE MINIMUM STRENGTH SPECIFIED BY THE ANCHOR MANUFACTURER.
- INSTALLATION ANCHOR CAPACITIES FOR PRODUCTS HEREIN ARE BASED ON SUBSTRATE MATERIALS WITH THE FOLLOWING PROPERTIES:
 - WOOD - MINIMUM SPECIFIC GRAVITY OF 0.55.
 - CONCRETE - MINIMUM COMPRESSIVE STRENGTH OF 3000 PSI.
 - MASONRY - CMU UNIT STRENGTH CONFORMS TO ASTM C-90, WITH MIN. COMPRESSIVE STRENGTH OF 2000 PSI AND GROUT CONFORMS TO ASTM C 476, MIN. GROUT COMPRESSIVE STRENGTH OF 2000 PSI.
 - STEEL - MINIMUM YIELD STRENGTH OF 36 KSI. MINIMUM 18 GA. WALL THICKNESS.
 - ALUMINUM - MINIMUM 1/8 INCH THICK 6063-T5 ALUMINUM.



NOTE:
SILL HAS SIMILAR DETAILS



TUBELITE
DEPENDABLE
LEADERS IN ECO-EFFICIENT STOREFRONT,
CURTAINWALL AND ENTRANCE SYSTEMS

3056 WALKER RIDGE DRIVE N.W.
WALKER, MICHIGAN 49544
PH: 800 866 2227 FX: 616 301 0008

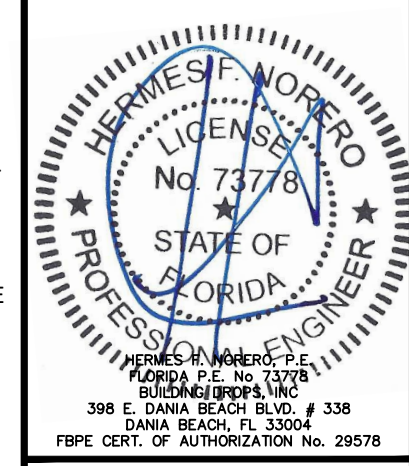
TITLE: 900RW SERIES THERMAL
RIBBON WINDOW
(NON-HVHZ)(NON-IMPACT)

ANCHOR DETAILS AND
INSTALLATION NOTES

PREPARED BY:
BUILDING DROPS, INC.
398 E. DANIA BEACH BLVD., STE. 338
DANIA BEACH, FL 33004
PH: (954) 959-8478
FAX: (954) 744-4738
WEB: www.buildingdrops.com

REMARKS	BY	DATE
FBC 2020 UPDATE	LL	10/5

THE INSTALLATION DETAILS DESCRIBED HEREIN ARE GENERIC AND MAY NOT REFLECT ACTUAL CONDITIONS FOR A SPECIFIC SITE. IF SITE CONDITIONS CAUSE INSTALLATION TO DEVIATE FROM THE REQUIREMENTS DETAILED HEREIN, A LICENSED ENGINEER OR ARCHITECT SHALL PREPARE SITE SPECIFIC DOCUMENTS FOR USE WITH THIS DOCUMENT



FL #: **FL21062**

DATE: **12.10.19**

DWG. BY: **JA** CHK. BY: **HFN**

SCALE: **NTS**

DWG. #: **TLI002**

SECTION
20
OF 20

c:\users\p50\onedrive - building drops, inc.\tl002 2020-12-21.dwg