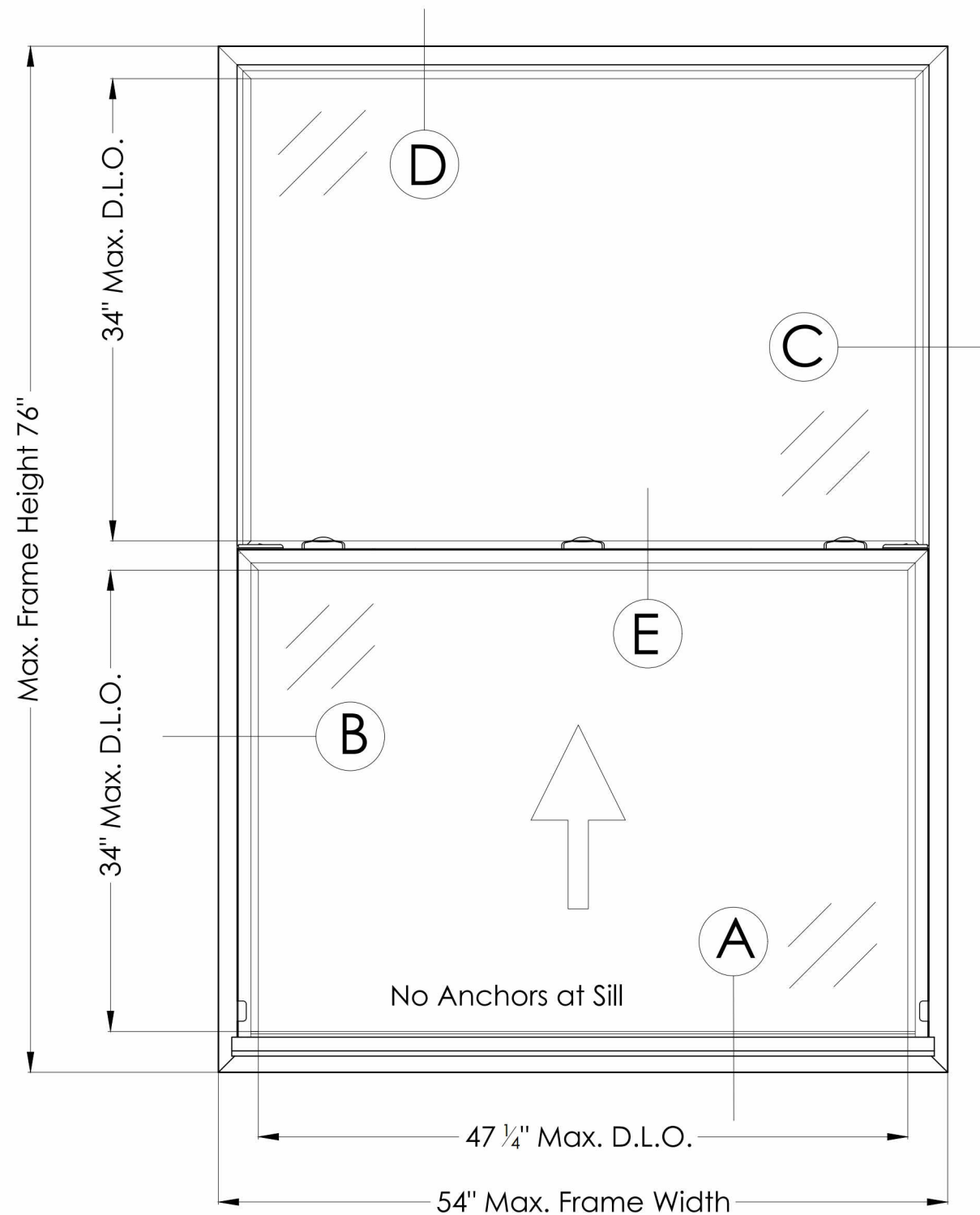


700-SERIES SINGLE HUNG WINDOW
Exterior View



DESIGN PRESSURE RATING	MISSILE IMPACT RATING
+60 psf, -60 psf	Large Missile Impact

NOTES

This Product is a Vinyl Single-Hung Window with Steel Reinforcement, with Laminated Insulated Glazing.

Vinyl Material Meets the Requirements of the Florida Florida Building Code (HVHZ), and has a Current Miami-Dade County NOA.

This Product Has Been Designed and Manufactured to Comply with the Requirements of the Florida Building Code, including the High Velocity Hurricane Zone (HVHZ).

This Approval Applies to Single Units, or Combinations of Units Installed Either Side of Product-Approved Mullions Meeting the Site-Specific Design Pressure Requirements.

Wood Buck Design by Others: Wood Bucks Shall Fully Back the Frame and Adequately Transfer Imposed Loads to the Surrounding Structure.

A Load Duration Increase in Allowable Stress Has Been Used in the Design of Anchors into Wood Only.

Anchors Shall be As Listed, As Shown on Details Herein. Anchor Embedment into Base Substrate Shall be Beyond Wall Dressing or Stucco.

Anchor Conditions Not Described Herein are Not Part of This Approval Document, and Shall Require a Site Specific Design Signed and Sealed by A Florida-Registered Professional Engineer.

TABLE OF CONTENTS

SHEET	DESCRIPTION
1	Elevation and General Notes
2	Anchor Schedule and Installation Notes
3	Anchor Details
4	Cross Sections and Glazing Detail
5	Components and Bill of Materials
6	Corner Construction

CATEGORY 5
Engineering Services, Inc.
1600 S. Federal Highway, #207
Pompano Beach, FL 33062
(954) 784-6991 • CA #25854

DRAWING No.: EIWD700SH-Install
REV 0

REVISIONS	
No	Date
0	07/07/16
	By Description
	EM Original Issue

700-SERIES
SINGLE-HUNG WINDOW
Large Missile Impact Resistant

ELEVATION and
GENERAL NOTES

Sheet **1** of **6**

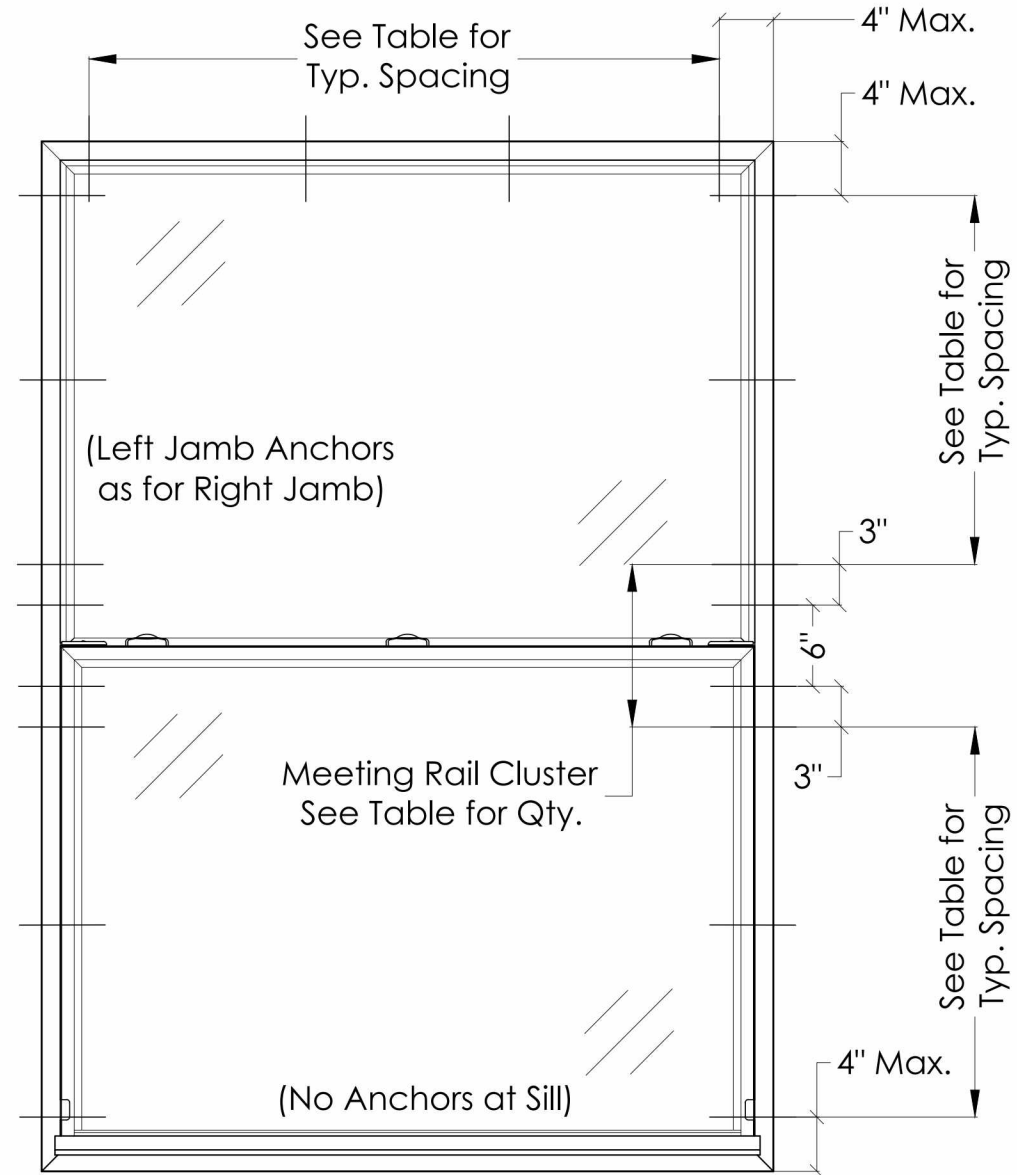
EUROSTYLE
IMPACT WINDOWS & DOORS
1036 NE 43rd Ct.,
Oakland Pk, FL 33334

Emm T. Mellinger P.E.
FL50049
2016.07.15 19:56:47-0400

EM

700-SERIES SINGLE HUNG WINDOW (Wet Glazed)

Exterior View



INSTALLATION NOTES

- Anchors Shall be of a Type Listed on This Sheet, Depending on the Substrate.
- Anchors Shall be Located a Maximum of 4" From Corners, and 3" From Meeting Rail.
- A Cluster of Anchors Shall be Located at the Meeting Rail, Distributed Equally Either Side. The Required Quantity of Anchors per Cluster is Shown in the Table at Right. A Cluster of (4) Anchors is Illustrated Above.
- The Balance of Anchors Shall be Spaced Depending on the Frame Dimensions and Anchor Type, According to the Table at Right.
- No Anchors Shall be Required at the Sill.
- Wood Bucks Shall Fully Back the Window Frame, Supporting its Entire Depth.
- A 1" x Wood Buck Shall be a Wood Buck Having a Thickness of Less Than 1 1/2". 1" Wood Bucks Shall be Optional if the Window Can be installed Directly to the Substrate.
- The Installation of 2" x as well as 1" x Wood Bucks Shall be Engineered by Others, as Approved by the Authority Having Jurisdiction.
- A Structural Shim Shall be Used at Each

Anchor Location Where a Gap of 1/8-inch or More Exists Between the Window Frame and the Substrate. Such Shims Shall Extend the Entire Depth of the Frame, and be No More than 1/4-inch in Thickness, Unless Otherwise Specified.

Anchor Embedments and Edge Distances Indicated Shall be Beyond Wall Dressing or Stucco, into Structural Substrate.

ANCHORS SHALL BE OF THE FOLLOWING TYPES:

- **TYPE I:** For Installation into **Concrete Substrates**, Use Approved 3/16" ELCO Ultracons of Sufficient Length to Achieve at Least 1 3/4" Embedment.
- **TYPE II:** For Installation into **CMU Substrates (Grout-Filled Only)**, Use Approved 3/16" ELCO Ultracons of Sufficient Length to Achieve at Least 1 3/8" Embedment. No Anchors Shall be Installed into Hollow CMU.
- **TYPE III:** For Installation into **Wood Substrates**, Use #10 Hilti Kwik-Flex Screws, of Sufficient Length to Achieve at Least 1 1/2" Embedment.
- **TYPE IV:** For Installation into **Metal Substrates**, at Least 1/8" Thick, Use #10 Hilti Kwik-Flex Screws of Sufficient Length to Achieve a Minimum Penetration through the Metal of Three Full Thread Pitches. No Shim Space is Permitted.

CATEGORY 5
Engineering Services, Inc.
1600 S. Federal Highway, #207
Pompano Beach, FL 33062
(954) 784-6991 • CA #25854

DRAWING No.: E1WD700SH-Install
REV 0

REVISIONS		Description	Original Issue
No	Date	By	EM
0	07/07/16		

700-SERIES SINGLE-HUNG WINDOW
Large Missile Impact Resistant

ANCHOR SCHEDULE
INSTALLATION NOTES

Sheet **2** of **6**

REQUIRED NUMBER OF MEETING STILE LOCKS

Window Width	Window Height		
	76 in	63 in	<= 56 in
54 in	3	3	2
52 in	3	3	2
48 in	3	2	2
42 in	3	2	2
<= 40 in	2	2	2

If a measurement falls between sizes, use number of locks for the next largest size.

ANCHOR CLUSTER and SPACING REQUIREMENTS

ANCHOR TYPES II and III	Cluster Qty			o/c Head			o/c Jamb		
	Cluster Qty	o/c Head	o/c Jamb	Cluster Qty	o/c Head	o/c Jamb	Cluster Qty	o/c Head	o/c Jamb
Height	Width <= 37 in			Width <= 46 in			Width <= 54 in		
<= 38 in	2	16 in	13 in	2	14 in	13 in	4	10 in	10 in
<= 48 in	2	14 in	13 in	2	12 in	12 in	4	10 in	10 in
<= 76 in	2	10 in	10 in	4	10 in	10 in	4	9 in	9 in

ANCHOR TYPES I and IV	Cluster Qty			o/c Head			o/c Jamb		
	Cluster Qty	o/c Head	o/c Jamb	Cluster Qty	o/c Head	o/c Jamb	Cluster Qty	o/c Head	o/c Jamb
Height	All Widths								
ALL	2	16 in	13 in						

For height dimensions in between sizes shown, use next larger size to determine the cluster size and anchor spacing. i.e. For 50" height x 40" width, use anchor spacing corresponding to 76" height x 46" width.

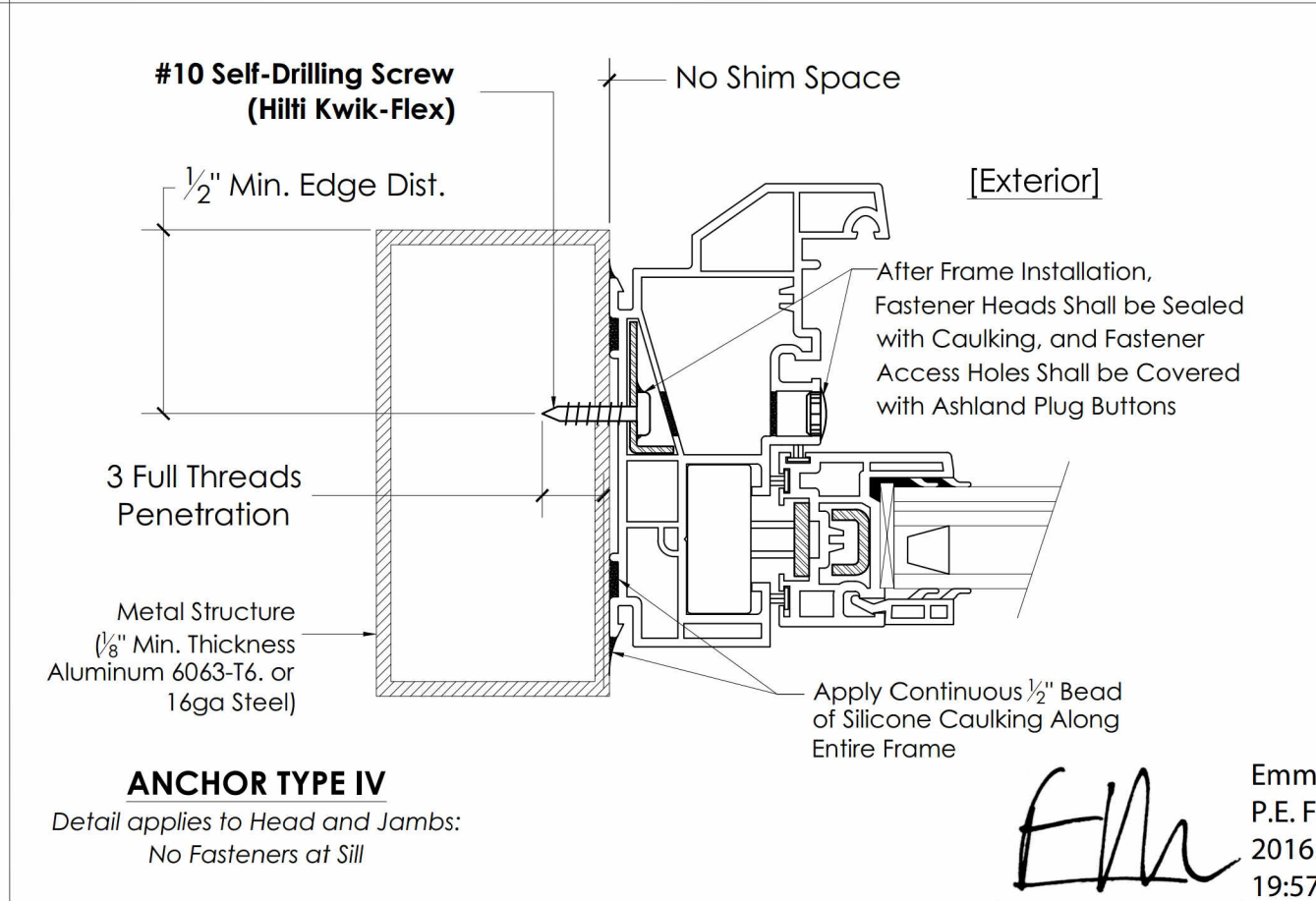
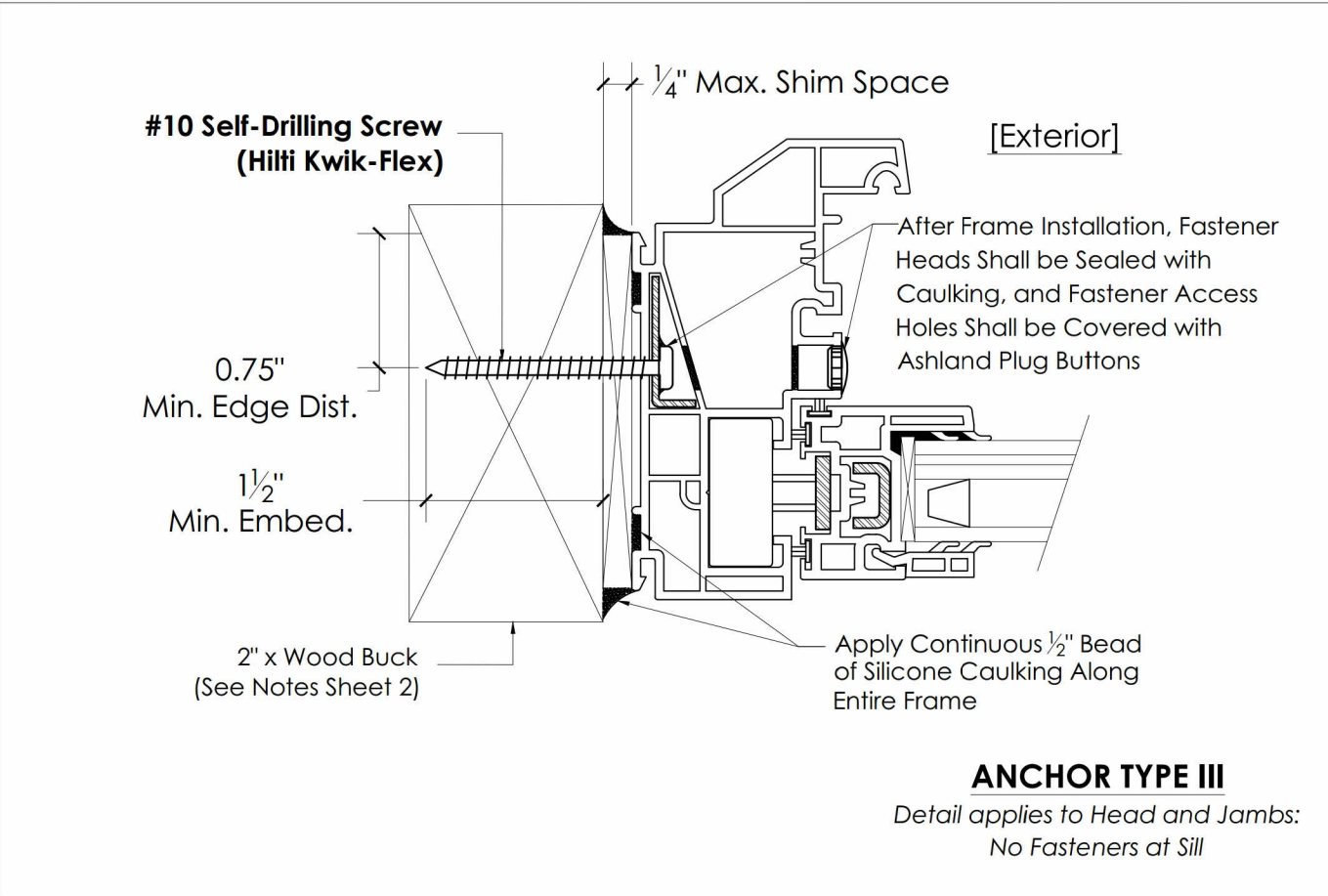
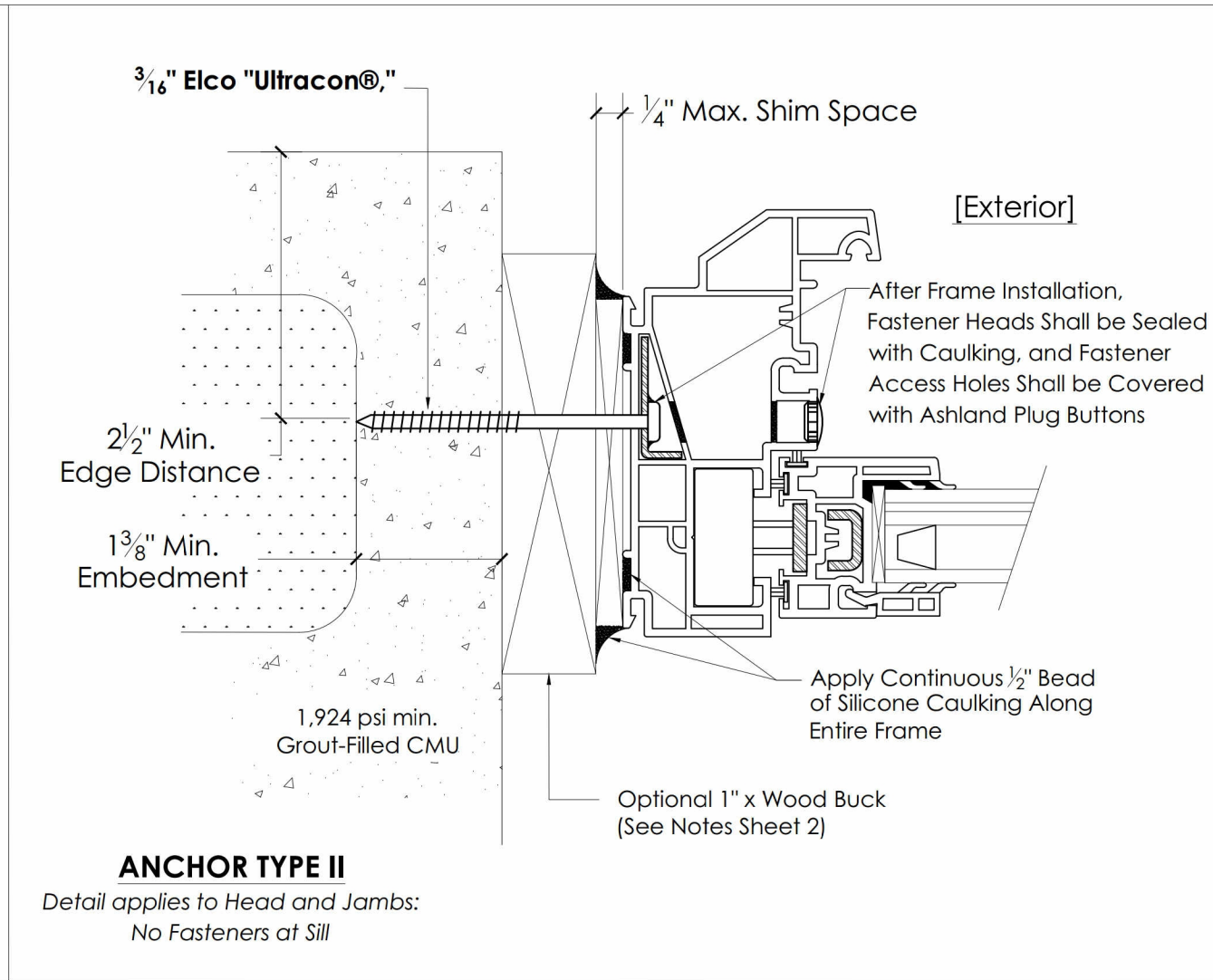
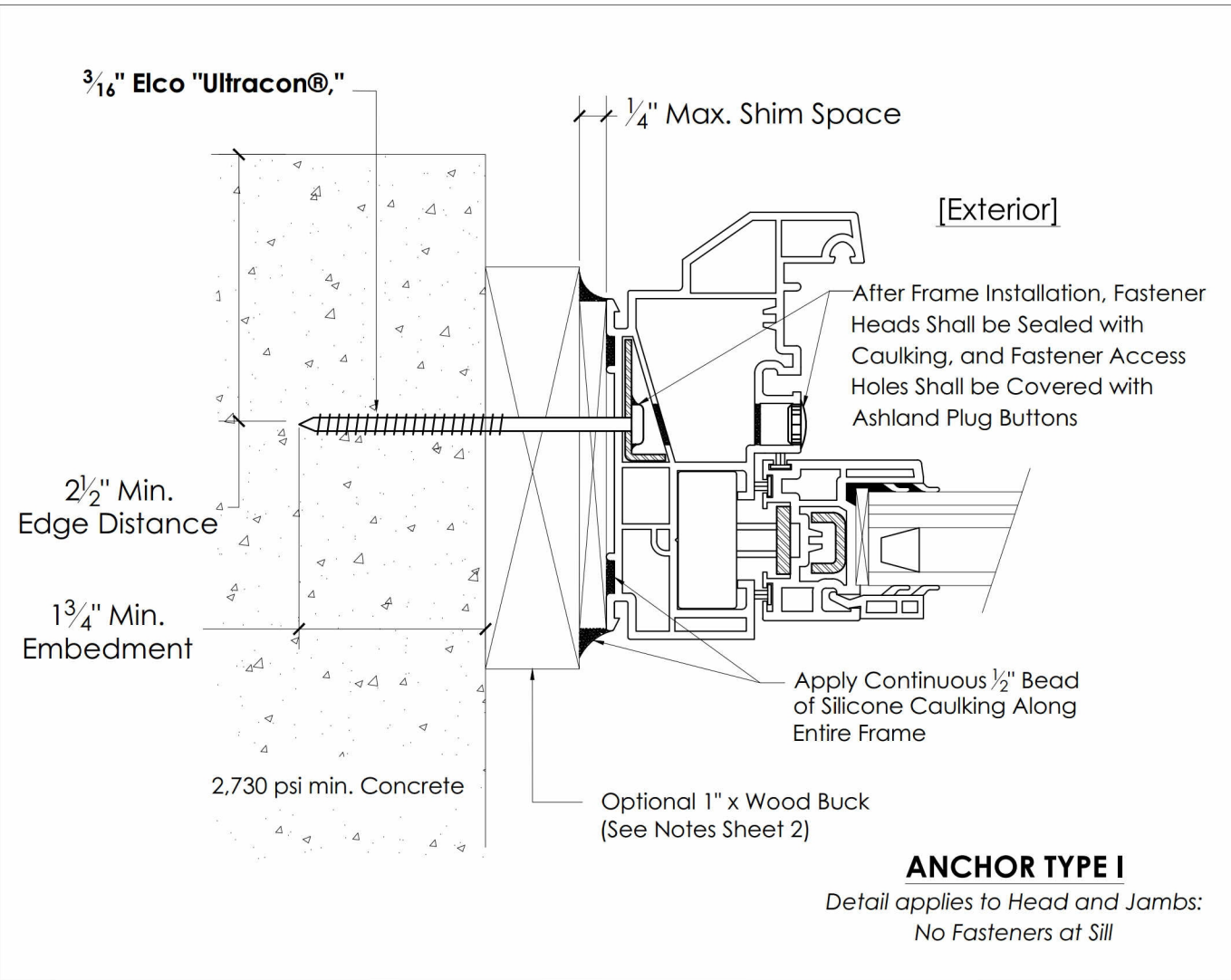
EUROSTYLE

IMPACT WINDOWS & DOORS
1036 NE 43rd Ct.,
Oakland Pk, FL 33334

EM

EMMA T. MELLINGER
LICENSE
No 50049
STATE OF FLORIDA
PROFESSIONAL ENGINEER

2016.07.15
19:57:34-04'00'



REVISIONS	
No	Date
0	07/07/16
By	Description
EM	Original Issue

700-SERIES SINGLE-HUNG WINDOW Large Missile Impact Resistant ANCHOR DETAILS

Sheet **3** of **6**

EUROSTYLE
 IMPACT WINDOWS & DOORS

1036 NE 43rd Ct.,
 Oakland Pk, FL 33334

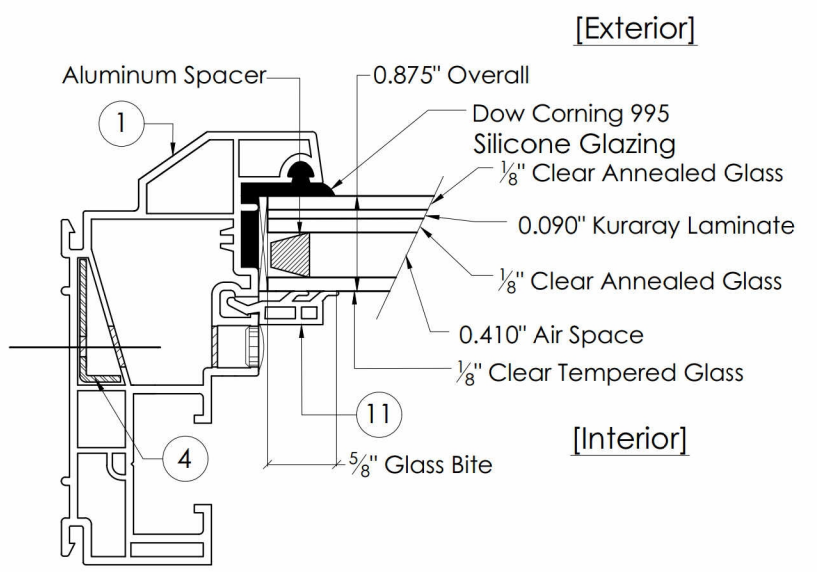
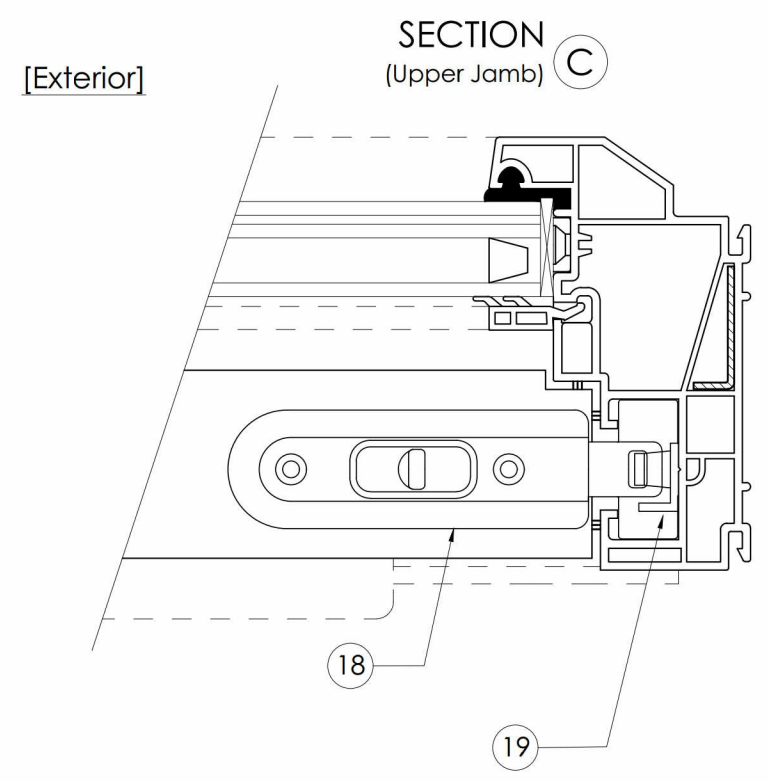
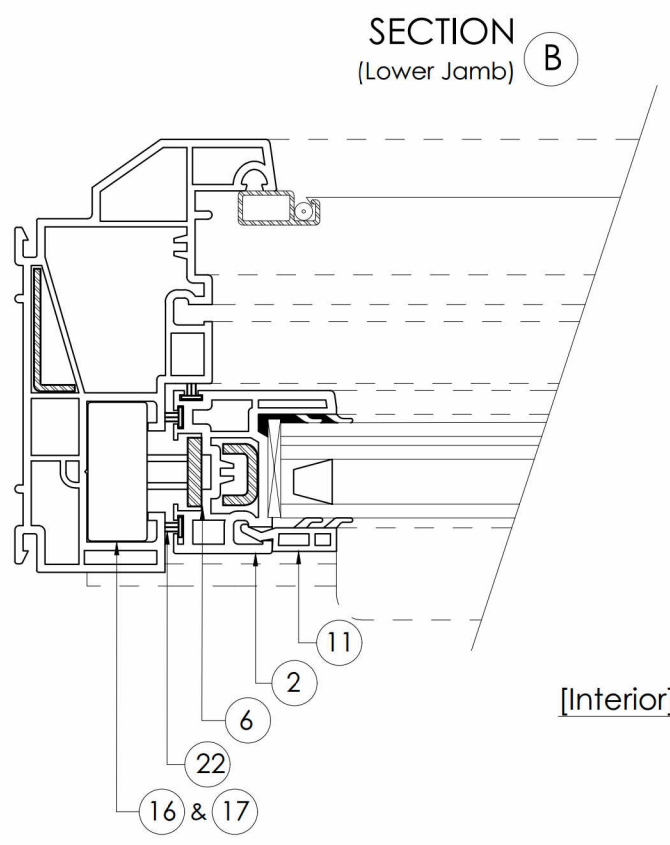
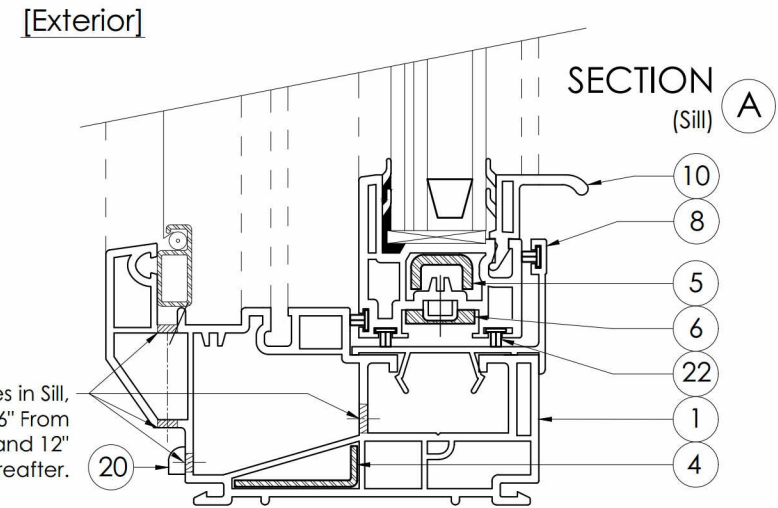
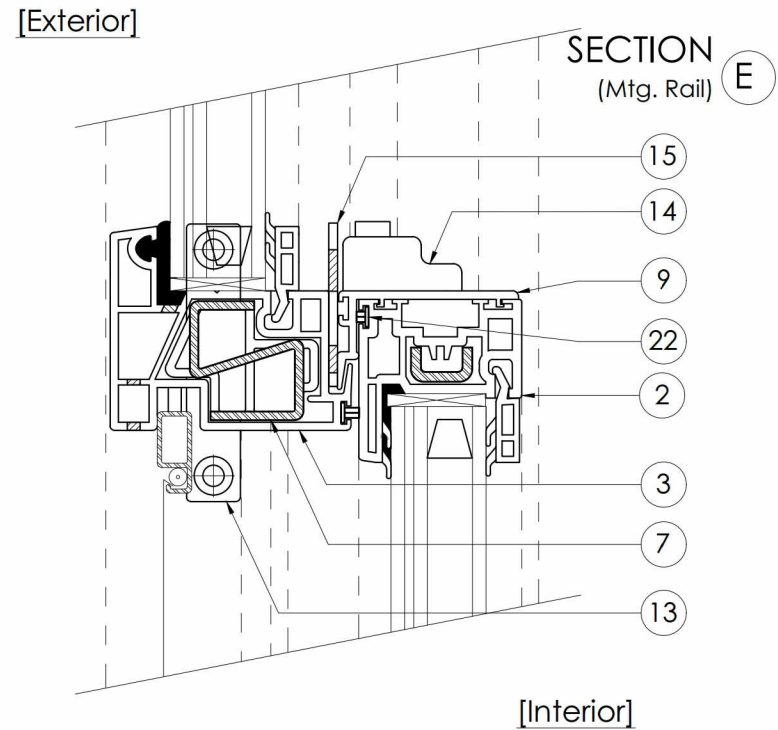
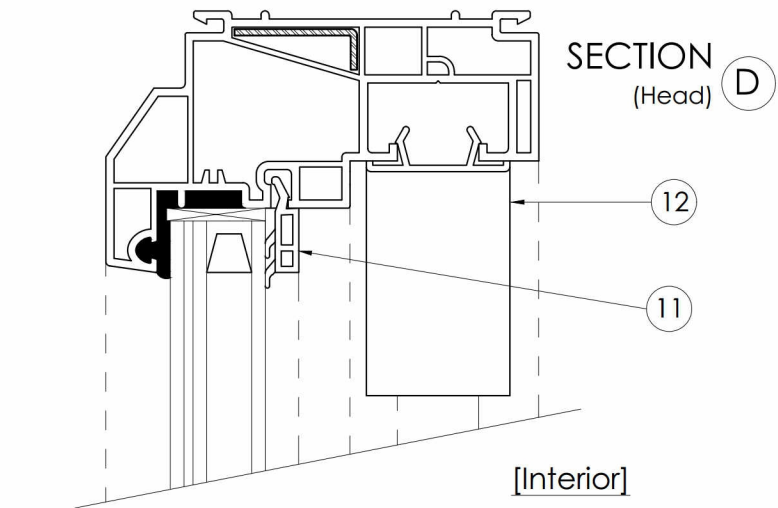
Emma T. Mellinger
 P.E. FL 50049
 2016.07.15
 19:57:51 -04'00'

CATEGORY 5
 Engineering Services, Inc.

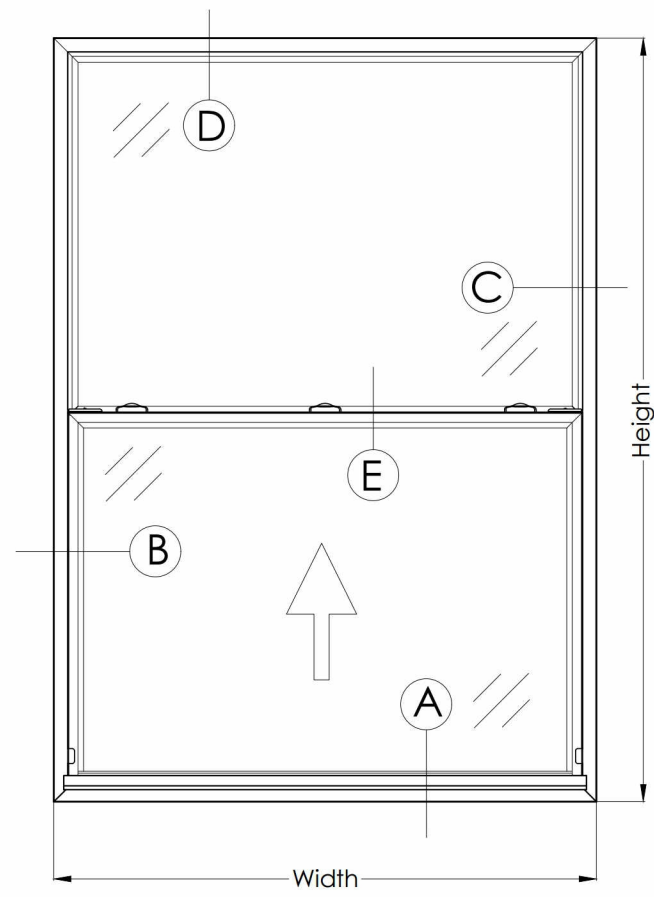
1600 S. Federal Highway, #207
 Pompano Beach, FL 33062
 (954) 784-6991 • CA #25854

DRAWING No.: EIWD700SH-Install
REV 0

EM



GLAZING DETAIL
(Wet-Glazed)



CATEGORY 5
Engineering Services, Inc.

1600 S. Federal Highway, #207
Pompano Beach, FL 33062
(954) 784-6991 • CA #25854

DRAWING No. : E1WD700SH-Install
REV 0

REVISIONS		
No	Date	By Description
0	07/07/16	EM Original Issue

700-SERIES
SINGLE-HUNG WINDOW
Large Missile Impact Resistant

CROSS SECTIONS, GLAZING DETAIL

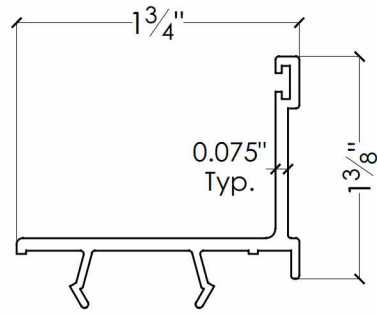
Sheet **4** of **6**

EUROSTYLE
IMPACT WINDOWS & DOORS

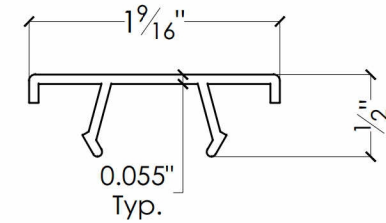
1036 NE 43rd Ct.,
Oakland Pk, FL 33334

EMMA T. MELLINGER
LICENSE
No 50049
STATE OF
FLORIDA
PROFESSIONAL ENGINEER

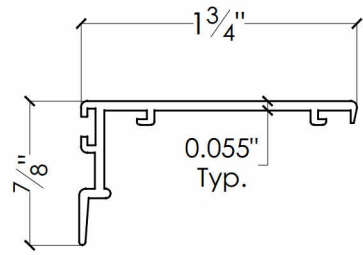
EM



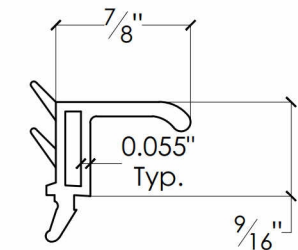
8 Tall Sill Insert



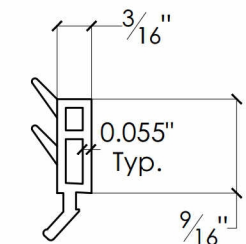
12 Wide Sash Stop



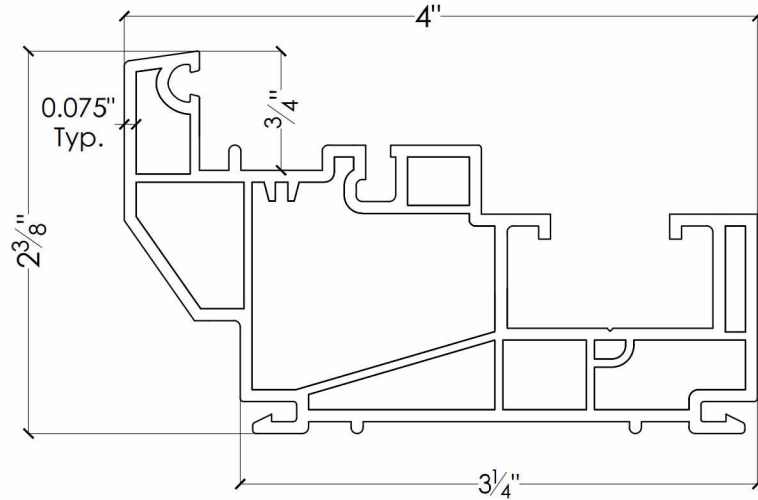
9 Standard Interlock



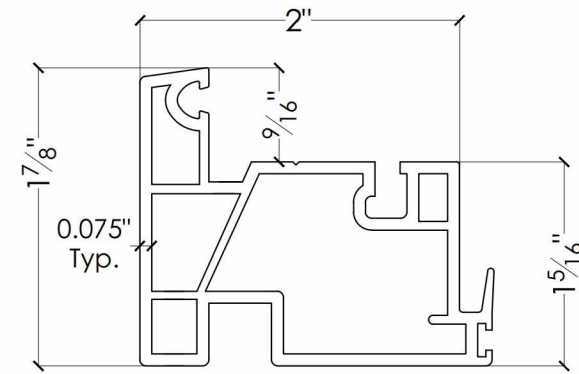
11 Lift-Rail Glazing Stop for 7/8" Glass



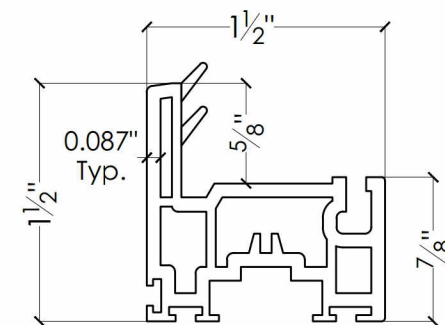
10 Glazing Stop #2 for 7/8" Glass



1 Single-Hung Frame



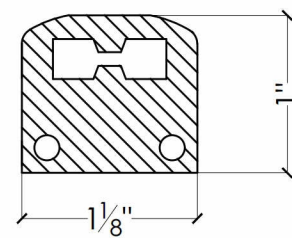
3 Single-Hung Transom



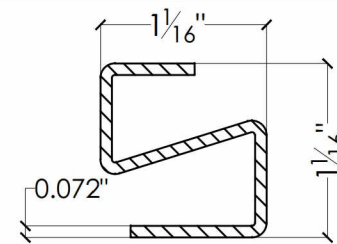
2 Common Sash

BILL OF MATERIALS

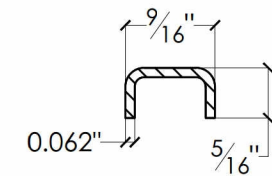
Item #	Part #	Description	Material	Vendor
1	601385	Frame	Vinyl	Rehau Industries, Inc.
2	605733	Sash	Vinyl	Rehau Industries, Inc.
3	601395	Transom	Vinyl	Rehau Industries, Inc.
4	601415	Reinforcement - Frame	Galv. Steel	Rehau Industries, Inc.
5	600195	Reinforcement - Sash	Galv. Steel	Rehau Industries, Inc.
6		Reinforcement - Sash	Aluminum	Rehau Industries, Inc.
7	601405	Reinforcement - Transom	Galv. Steel	Rehau Industries, Inc.
8	245534	HP Snap-in Sill	Vinyl	Rehau Industries, Inc.
9	608703	Standard Interlock	Vinyl	Rehau Industries, Inc.
10	605683	Lift-Rail Glazing Stop	Vinyl	Rehau Industries, Inc.
11	600175	Glazing Stop	Vinyl	Rehau Industries, Inc.
12	605703	Wide Sash Stop	Vinyl	Rehau Industries, Inc.
13	619405	Transom Attachment Bracket	Nylon	Rehau Industries, Inc.
14	A09200412	Lock (for qty. see chart on sheet 2)	Zinc	Truth
15	R-500701-WH	Keeper	Steel	Four-Jaks
16	72850	Balance Lock		Amesbury
17	23600	Pivot Bar		Amesbury
18	75065-015C	Tilt-Latch Assembly	Zinc	Ashland
19	13864	Latch Hook	Steel	Ashland
20	261582	Drain Cover Caps	Vinyl	Rehau Industries, Inc.
21	13856	Plug Buttons	Vinyl	Ashland
22		Fin Weatherstrip (single-piece construction)	Polypropylene	UltraFab



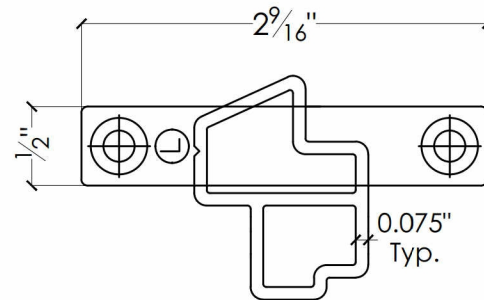
15 2-Tab Steel Keeper



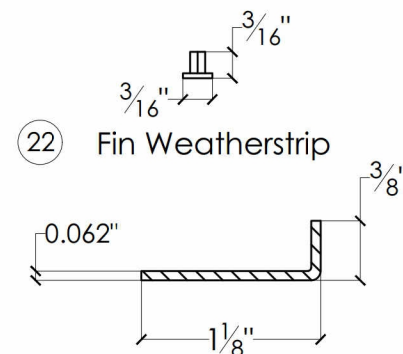
7 Steel Reinforcement for Single-Hung Transom



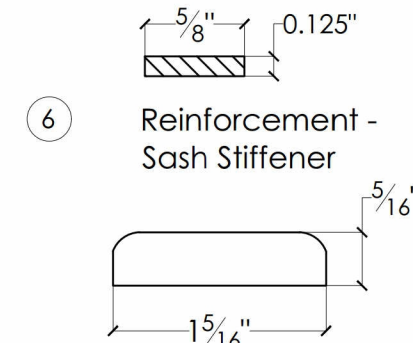
5 Steel Sash Reinforcement



13 Single-Hung Transom Attachment Bracket



4 Steel Frame Reinforcement



6 Reinforcement - Sash Stiffener

REVISIONS

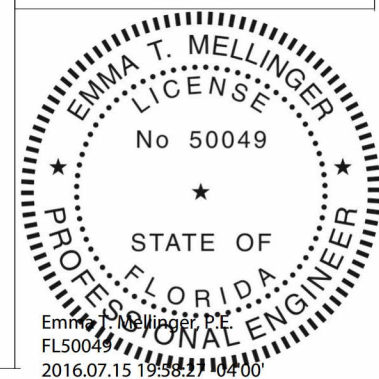
No	Date	By	Description
0	07/07/16	EM	Original Issue

**700-SERIES
SINGLE-HUNG WINDOW
Large Missile Impact Resistant**

**BILL OF MATERIALS,
COMPONENTS**

Sheet **5** of 6

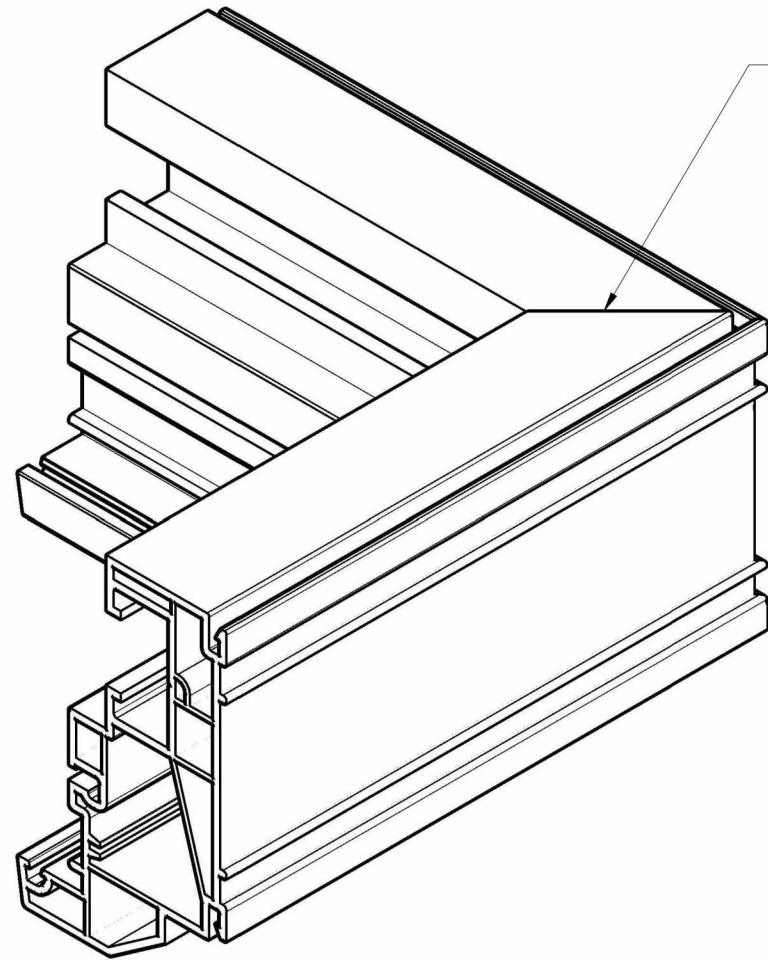
EUROSTYLE
IMPACT WINDOWS & DOORS
1036 NE 43rd Ct.,
Oakland Pk, FL 33334



DRAWING No. : EIW700SH-Install
REV 0

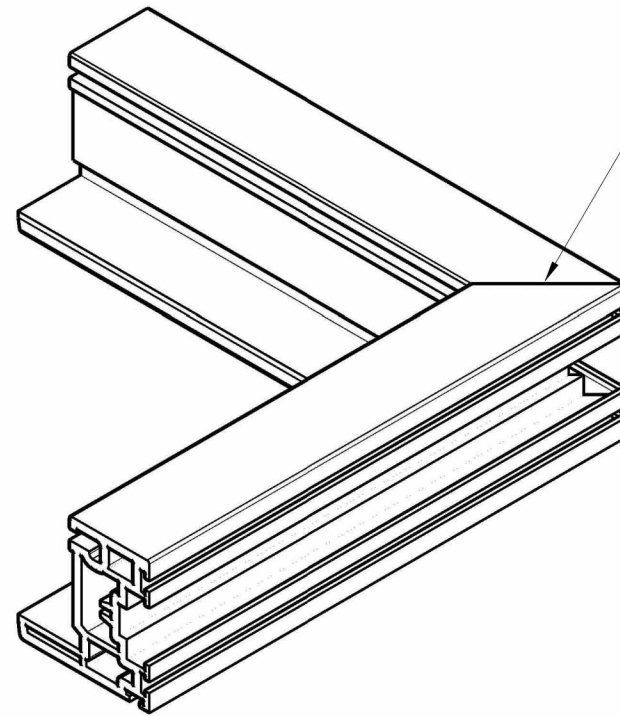
EM

Emm T. Mellinger, P.E.
FL50049
2016.07.15 19:58:17 0400



Miter-Cut
Welded Corner

FRAME DETAIL



Miter-Cut
Welded Corner

SASH DETAIL

REVISIONS			
No	Date	By	Description
0	07/07/16	EM	Original Issue

CATEGORY 5
Engineering Services, Inc.
1600 S. Federal Highway, #207
Pompano Beach, FL 33062
(954) 784-6991 • CA #25854

DRAWING No. :
EIWD700SH-Install

REV
0

700-SERIES
SINGLE-HUNG WINDOW
Large Missile Impact Resistant

Sheet
6 of **6**
CORNER
CONSTRUCTION

EUROSTYLE
IMPACT WINDOWS & DOORS

1036 NE 43rd Ct.,
Oakland Pk, FL 33334

EM

Emma T.
Mellinger
P.E. FL 50049
2016.07.15
19:58:45
-04'00'

