

REVISIONS			
REV	DESCRIPTION	DATE	APPROVED

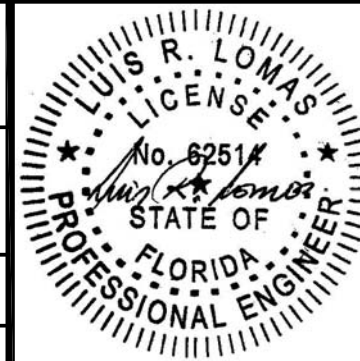
NOTES:

1. THE PRODUCT SHOWN HEREIN IS DESIGNED AND MANUFACTURED TO COMPLY WITH REQUIREMENTS OF THE FLORIDA BUILDING CODE INCLUDING THE HVHZ.
2. WOOD FRAMING AND MASONRY OPENING TO BE DESIGNED AND ANCHORED TO PROPERLY TRANSFER ALL LOADS TO STRUCTURE. FRAMING AND MASONRY OPENING IS THE RESPONSIBILITY OF THE ARCHITECT OR ENGINEER OF RECORD.
3. 1X BUCK OVER MASONRY/CONCRETE IS OPTIONAL.
4. WHERE SHIM OR BUCK THICKNESS IS LESS THAN 1 1/2" WINDOW UNITS MUST BE ANCHORED THROUGH THE FRAME IN ACCORDANCE WITH MANUFACTURER'S PUBLISHED INSTALLATION INSTRUCTIONS. ANCHORS SHALL BE SECURELY FASTENED DIRECTLY INTO MASONRY, CONCRETE OR OTHER STRUCTURAL SUBSTRATE MATERIAL.
5. WHERE WOOD BUCK THICKNESS IS 1 1/2" OR GREATER, BUCK SHALL BE SECURELY FASTENED TO MASONRY, CONCRETE OR OTHER STRUCTURAL SUBSTRATE. WINDOW UNITS MAY BE ANCHORED THROUGH FRAME TO SECURED WOOD BUCK IN ACCORDANCE WITH MANUFACTURER'S PUBLISHED INSTALLATION INSTRUCTIONS.
6. WHERE 1X BUCK IS NOT USED DISSIMILAR MATERIALS MUST BE SEPARATED WITH APPROVED COATING OR MEMBRANE. SELECTION OF COATING OR MEMBRANE IS THE RESPONSIBILITY OF THE ARCHITECT OR ENGINEER OF RECORD.
7. BUCKS SHALL EXTEND BEYOND WINDOW INTERIOR FACE SO THAT FULL FRAME SUPPORT IS PROVIDED.
8. SHIM AS REQUIRED AT EACH ANCHOR LOCATION WITH LOAD BEARING SHIM. SHIM WHERE SPACE OF 1/16" OR GREATER OCCURS. MAXIMUM ALLOWABLE SHIM STACK TO BE 1/4".
9. SHIMS SHALL BE LOCATED, APPLIED AND MADE FROM MATERIALS AND THICKNESS CAPABLE OF SUSTAINING APPLICABLE LOADS.
10. WIND LOAD DURATION FACTOR Cd=1.6 WAS USED FOR WOOD ANCHOR CALCULATIONS.
11. FRAME MATERIAL: 6060-T64 ALUMINUM.
12. UNITS MUST BE GLAZED PER ASTM E1300-04/09, SEE SHEET 3.
13. APPROVED IMPACT PROTECTIVE SYSTEM IS NOT REQUIRED FOR THIS PRODUCT IN WIND BORNE DEBRIS REGIONS.
14. FOR ANCHORING INTO WOOD FRAMING OR 2X BUCK USE UNIVERSAL ANCHOR SF COUNTERSINK D7.5MM WITH SUFFICIENT LENGTH TO ACHIEVE A 2" MINIMUM EMBEDMENT INTO SUBSTRATE. LOCATE ANCHORS AS SHOWN IN ELEVATIONS AND INSTALLATION DETAILS.
15. FOR ANCHORING INTO MASONRY/CONCRETE USE UNIVERSAL ANCHOR SF SOUNTERSINK D7.5MM WITH SUFFICIENT LENGTH TO ACHIEVE A 1 1/2" MINIMUM EMBEDMENT INTO SUBSTRATE WITH 2 1/2" MINIMUM EDGE DISTANCE. LOCATE ANCHORS AS SHOWN IN ELEVATIONS AND INSTALLATION DETAILS.
16. FOR ANCHORING INTO METAL STRUCTURE USE COUNTERSUNK SCREW M6 WITH SUFFICIENT LENGTH TO ACHIEVE 3 THREADS MINIMUM BEYOND STRUCTURE INTERIOR WALL. LOCATE ANCHORS AS SHOWN IN ELEVATIONS AND INSTALLATION DETAILS.
17. ALL FASTENERS TO BE CORROSION RESISTANT.
18. INSTALLATION ANCHORS SHALL BE INSTALLED IN ACCORDANCE WITH ANCHOR MANUFACTURER'S INSTALLATION INSTRUCTIONS AND ANCHORS SHALL NOT BE USED IN SUBSTRATES WITH STRENGTHS LESS THAN THE MINIMUM STRENGTH SPECIFIED BELOW:
 - A. WOOD – MINIMUM SPECIFIC GRAVITY OF G=0.42
 - B. CONCRETE – MINIMUM COMPRESSIVE STRENGTH OF 3,192 PSI.
 - C. MASONRY – STRENGTH CONFORMANCE TO ASTM C-90, GRADE N, TYPE 1 (OR GREATER).
 - D. METAL STRUCTURE: STEEL 3/16" THICK MINIMUM, 33KSI OR ALUMINUM 6063-T5 1/4" THICK MINIMUM

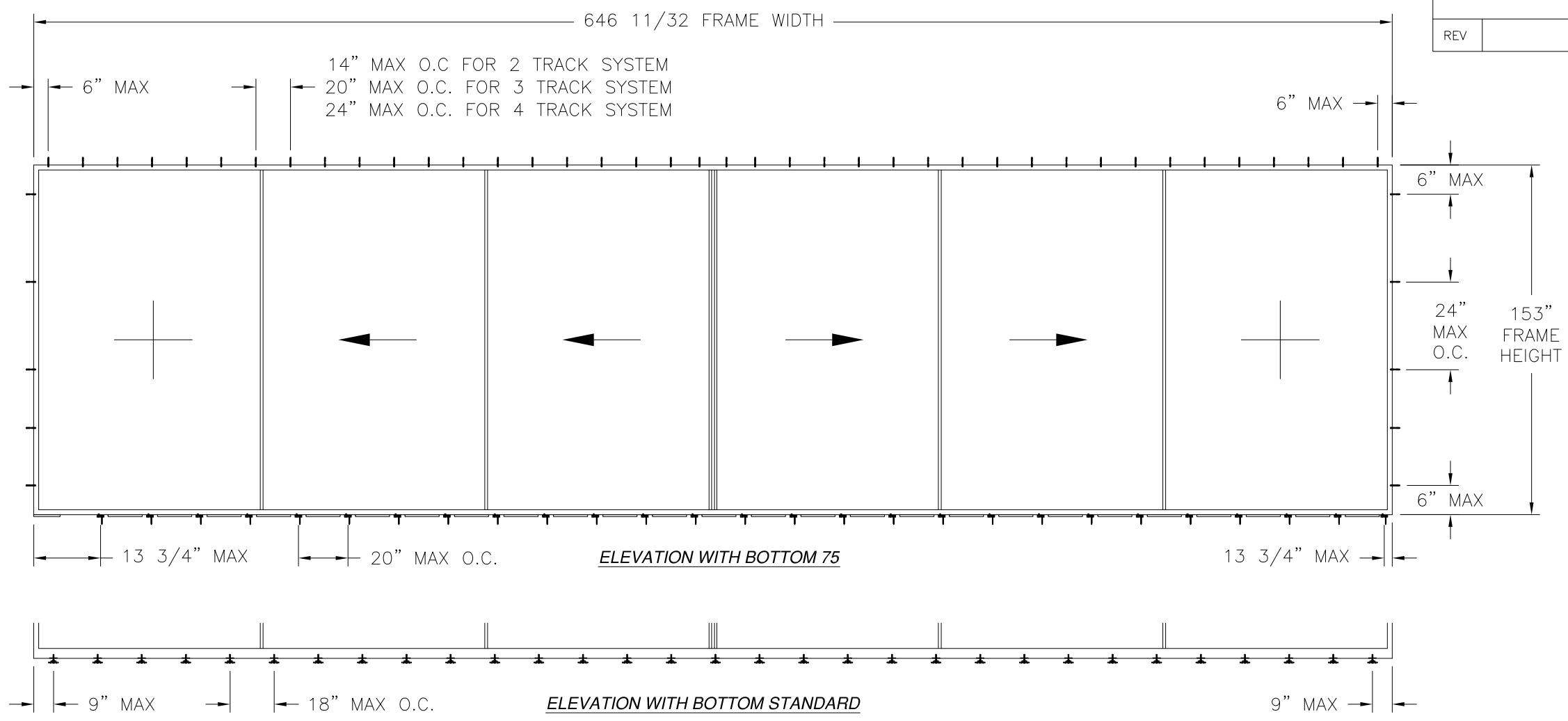
SIGNED: 03/27/2019

TABLE OF CONTENTS	
SHEET NO.	DESCRIPTION
1	NOTES
2 - 4	ELEVATION & RATINGS
3	B.O.M. & GLAZING DETAIL
4, 5	CROSS SECTIONS
6 - 10	INSTALLATION DETAILS
11 - 14	COMPONENTS

SKY-FRAME INC. LANGFELDSTRASSE 111 FRAUENFELD, SWITZERLAND CH-8500		
SERIES SKY-FRAME 3 ALUMINUM HORIZONTAL SLIDING DOOR - IMPACT HVHZ NOTES		
DRAWN: A.R.	DWG NO. 08-03336	REV -
SCALE NTS	DATE 10/22/18	SHEET 1 OF 14
L. ROBERTO LOMAS P.E. 1432 WOODFORD RD LEWISVILLE, NC 27023 434-688-0609 rllomas@lrlomaspe.com		



Luis R. Lomas P.E.
FL No.: 62514



REVISIONS			
REV	DESCRIPTION	DATE	APPROVED

- NOTES:
- PANEL SIZE: 91 5/16" X 138 3/16"
 - D.L.O.: 89 13/21" X 136 3/4"

SERIES SF3 HORIZONTAL SLIDING DOOR (2, 3 & 4-TRACK)
EXTERIOR VIEW

DESIGN PRESSURE RATING	IMPACT RATING
±65.0PSF	LARGE AND SMALL MISSILE IMPACT

MISSILE LEVEL D, WIND ZONE 4 AND HVHZ
MULTIPLE PANELS IN MULTIPLE CONFIGURATIONS ARE APPROVED
AS LONG AS PANEL AREA DOES NOT EXCEED 87.62 FT²
SEE CHART #1 FOR RATINGS

Chart #1 Maximum Design pressure (psf)																	
Panel Height (in)	Single Panel Width (in)																
	60.0	66.0	72.0	78.0	84.0	90.0	96.0	102.0	108.0	114.0	120.0	126.0	132.0	138.0	144.0	150.0	156.0
80.0	75.0	75.0	75.0	75.0	75.0	75.0	75.0	75.0	75.0	75.0	75.0	75.0	75.0	74.3	71.2	68.3	65.7
84.0	75.0	75.0	75.0	75.0	75.0	75.0	75.0	75.0	75.0	75.0	75.0	75.0	74.0	70.8	67.8	65.1	-
90.0	75.0	75.0	75.0	75.0	75.0	75.0	75.0	75.0	75.0	75.0	75.0	72.3	69.0	66.0	-	-	-
96.0	75.0	75.0	75.0	75.0	75.0	75.0	75.0	75.0	75.0	74.9	71.2	67.8	-	-	-	-	-
102.0	75.0	75.0	75.0	75.0	75.0	75.0	75.0	75.0	74.5	70.5	67.0	-	-	-	-	-	-
108.0	75.0	75.0	75.0	75.0	75.0	75.0	75.0	74.5	70.3	66.6	-	-	-	-	-	-	-
114.0	75.0	75.0	75.0	75.0	75.0	75.0	74.9	70.5	66.6	-	-	-	-	-	-	-	-
120.0	75.0	75.0	75.0	75.0	75.0	75.0	71.2	67.0	-	-	-	-	-	-	-	-	-
126.0	75.0	75.0	75.0	75.0	75.0	72.3	67.8	-	-	-	-	-	-	-	-	-	-
132.0	75.0	75.0	75.0	75.0	72.6	69.0	-	-	-	-	-	-	-	-	-	-	-
138.0	75.0	75.0	74.8	71.1	68.1	65.6	-	-	-	-	-	-	-	-	-	-	-
144.0	75.0	72.1	67.2	63.2	59.9	-	-	-	-	-	-	-	-	-	-	-	-

SKY-FRAME INC.
LANGFELDSTRASSE 111
FRAUENFELD, SWITZERLAND CH-8500

SERIES SKY-FRAME 3 ALUMINUM
HORIZONTAL SLIDING DOOR – IMPACT HVHZ
ELEVATION

DRAWN: A.R.	DWG NO. 08-03336	REV -
SCALE NTS	DATE 10/22/18	SHEET 2 OF 14

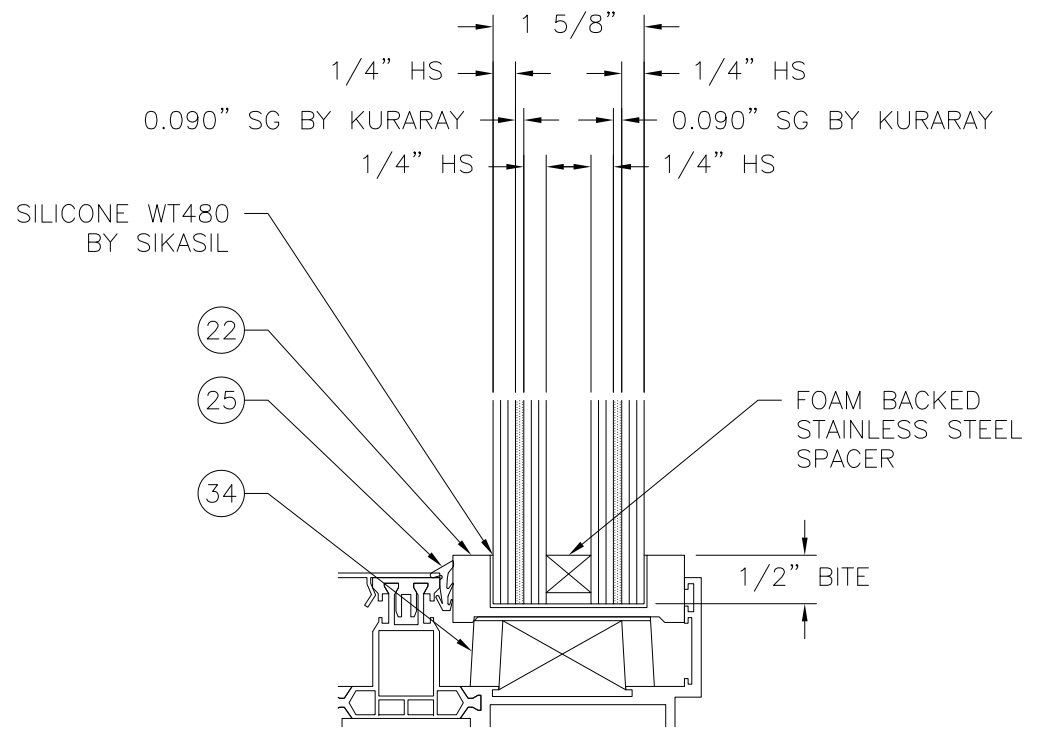
L. ROBERTO LOMAS P.E.
1432 WOODFORD RD LEWISVILLE, NC 27023
434-688-0609 rllomas@lrlomaspe.com

SIGNED: 03/27/2019

Luis R. Lomas P.E.
FL No.: 62514

BILL OF MATERIALS				
ITEM NO.:	PART NUMBER	DESCRIPTION	MANUFACTURER	MATERIAL
1	301001	BOTTOM 2-TRACK STANDARD	SKY-FRAME, INC.	ALUMINUM 6060-T64
2	301101	BOTTOM 3-TRACK STANDARD	SKY-Frame, INC.	ALUMINUM 6060-T64
3	401417	BOTTOM 4-TRACK STANDARD	SKY-FRAME, INC.	ALUMINUM 6060-T64
4	300101	WALL CONNECTION 2-TRACK	SKY-FRAME, INC.	ALUMINUM 6060-T64
5	300401	WALL CONNECTION 3-TRACK	SKY-FRAME, INC.	ALUMINUM 6060-T64
6	401410	WALL CONNECTION 4-TRACK	SKY-FRAME, INC.	ALUMINUM 6060-T64
7	320201	COPING SF3 1-TRACK	SKY-FRAME, INC.	ALUMINUM 6060-T66
8	321201	COPING SF3 2-TRACK	SKY-FRAME, INC.	ALUMINUM 6060-T66
9	-	COPING SF3 3-TRACK	SKY-FRAME, INC.	ALUMINUM 6060-T66
10	400493	LABYRINTH	SKY-FRAME, INC.	ALUMINUM 6060-T66
11	400226	STEEL INLAY	SKY-FRAME, INC.	STEEL
12	400228	CENTRE OPENING (OFFSET)	SKY-FRAME, INC.	ALUMINUM 6060-T66
13	400230	STEEL INLAY	SKY-FRAME, INC.	STEEL
14	400563	CENTRE OPENING (ON SAME LEVEL)	SKY-FRAME, INC.	ALUMINUM 6060-T64
15	310101	LOCKING PROFILE	SKY-FRAME, INC.	ALUMINUM 6060-T64
16	144101	POCKET LABYRINTH BASE	SKY-FRAME, INC.	ALUMINUM 6060-T66
17	144201	POCKET LABYRINTH COPING	SKY-FRAME, INC.	ALUMINUM 6060-T66
18	-	POCKET ENCLOSURE	SKY-FRAME, INC.	ALUMINUM 6060-T66 ALUMINUM 1050
19	-	GASKET MOUNTING	SKY-FRAME, INC.	ALUMINUM 6060-T6
20	400490	RAIL "CARRELLO"	SKY-FRAME, INC.	ALUMINUM 6060-T64 STAINLESS STEEL 1.4310
21	130900	EDGE PROFIL VERTICAL	SKY-FRAME, INC.	GFRP
22	130800	EDGE PROFIL HORIZONTAL	SKY-FRAME, INC.	GFRP
23	182700	POCKET MULLION	SKY-FRAME, INC.	ALUMINUM 6060-T64
24	157700	THERMAL INSULATION	SKY-FRAME, INC.	XPS
25	142000	RUBBER GASKET	SKY-FRAME, INC.	EPDM
26	140600	BRUSH GASKET	SKY-FRAME, INC.	PP
27	141600	SLIDE GASKET	SKY-FRAME, INC.	TPE
28	-	WEeping GASKET	SKY-FRAME, INC.	EPDM
30	401447 / 401448 / 401449 / 166600	HEAVY RAIN DEVICE GDE 2-TRACK	SKY-FRAME, INC.	PVC
31	401447 / 401448 / 401449 / 1666000	HEAVY RAIN DEVICE GDE 3-TRACK	SKY-FRAME, INC.	PVC
32	401447 / 401448 / 401449 / 166600	HEAVY RAIN DEVICE GDE 4-TRACK	SKY-FRAME, INC.	PVC
33	400519	RUNNING GEARS "CARRELLO"	SKY-FRAME, INC.	PA6
34	143500	GLASS SUPPORT	SKY-FRAME, INC.	PA6
35	-	POCKET PIPE BRACKET	SKY-FRAME, INC.	STAINLESS STEEL
36	558900	POCET PIPE BRACKET	SKY-FRAME, INC.	STAINLESS STEEL
37	145801	HANDLE	SKY-FRAME, INC.	ALUMINUM 6060-T66
38	151801	HANDLE	SKY-FRAME, INC.	ALUMINUM 6060-T6
39	154700	ABUTTING WEDGE	SKY-FRAME, INC.	POM
40	167700	SCREW LOCKING "SWIVEL"	SKY-FRAME, INC.	PA66 GF25
41	400223	COUNTERSUNK SCREW M6		STAINLESS STEEL
42	801700	UNIVERSAL ANCHOR SF COUNTERSUNK D 7.5MM	SKY-FRAME, INC.	STAINLESS STEEL
43	800400	HEXAGON BOLT M10		STAINLESS STEEL
44	162100	HEXAGON NUT M10		STAINLESS STEEL
45	-	UNIVERSAL ANCHOR HEXAGON D:10MM		STAINLESS STEEL
46	132000	EXPANSION ANCHOR D10MM		STAINLESS STEEL
47	170300	COUNTERSUNK TAPPING SCREW D: 4.2X19MM		STAINLESS STEEL
48	402025	WIND BRACKET	SKY-FRAME, INC.	STAINLESS STEEL
49	402026	WIND BRACKET	SKY-FRAME, INC.	STAINLESS STEEL
50	138000	BASE PLATE 2-TRACK	SKY-FRAME, INC.	ALUMINUM 6082-T6
51	138100	BASE PLATE 3-TRACK	SKY-FRAME, INC.	ALUMINUM 6082-T6
52	400569	BASE PLATE 2-TRACK	SKY-FRAME, INC.	ALUMINUM 6060-T66
53	400570	BASE PLATE 3-TRACK	SKY-FRAME, INC.	ALUMINUM 6060-T66
54	357102	CLAMPING PLATE 2-TRACK	SKY-FRAME, INC.	GALVANIZED STEEL
55	357202	CLAMPING PLATE 3+4-TRACK	SKY-FRAME, INC.	GALVANIZED STEEL
56	357101	BASE PLATE 2-TRACK	SKY-FRAME, INC.	STAINLESS STEEL
57	357201	BASE PLATE 3-TRACK	SKY-FRAME, INC.	STAINLESS STEEL
58	402039	BASE PLATE 4-TRACK	SKY-FRAME, INC.	STAINLESS STEEL
59	357103	SOUND INSULATION 2-TRACK	SKY-FRAME, INC.	PUR
60	357203	SOUND INSULATION 3-TRACK	SKY-FRAME, INC.	PUR
61	402038	SOUND INSULATION 4-TRACK	SKY-FRAME, INC.	PUR
62	400565	BASE PLATE 4-TRACK	SKY-FRAME, INC.	ALUMINUM 6060-T66
63	402043	BASE PLATE 4-TRACK	SKY-FRAME, INC.	ALUMINUM 6082-T6
64	402137	MV Reinforcement	SKY-FRAME, INC.	STAINLESS STEEL
65	402139	MV Reinforcement	SKY-FRAME, INC.	ALUMINUM 6060-T6
66	402124	MVe Reinforcement	SKY-FRAME, INC.	STAINLESS STEEL
67	402125	MVe Reinforcement	SKY-FRAME, INC.	STAINLESS STEEL
68	402126	MVe Reinforcement	SKY-FRAME, INC.	STAINLESS STEEL
69	402127	MVe Reinforcement	SKY-FRAME, INC.	ALUMINUM 6060-T6

REVISIONS			
REV	DESCRIPTION	DATE	APPROVED



GLAZING DETAIL

SIGNED: 03/27/2019

SKY-FRAME INC.
 LANGFELDSTRASSE 111
 FRAUENFELD, SWITZERLAND CH-8500

SERIES SKY-FRAME 3 ALUMINUM
 HORIZONTAL SLIDING DOOR - IMPACT HVHZ
 B.O.M. & GLAZING DETAIL

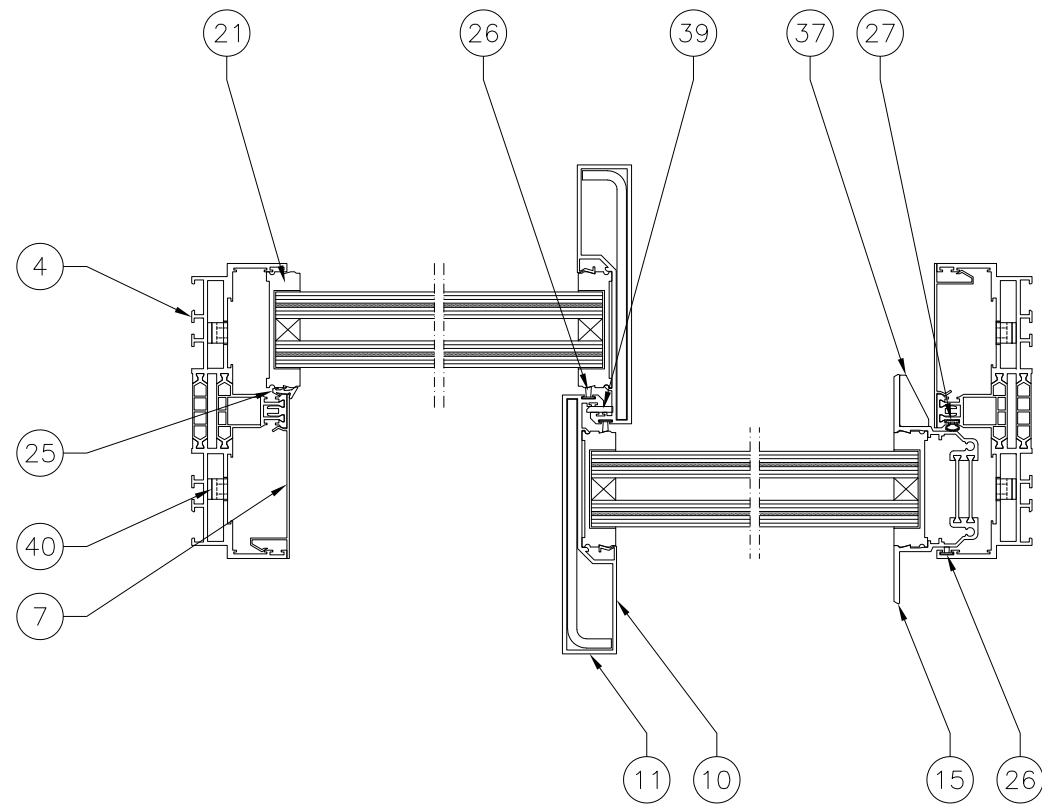
DRAWN: A.R.	DWG NO. 08-03336	REV -
SCALE NTS	DATE 10/22/18	SHEET 3 OF 14

L. ROBERTO LOMAS P.E.
 1432 WOODFORD RD LEWISVILLE, NC 27023
 434-688-0609 rllomas@lrlomaspe.com

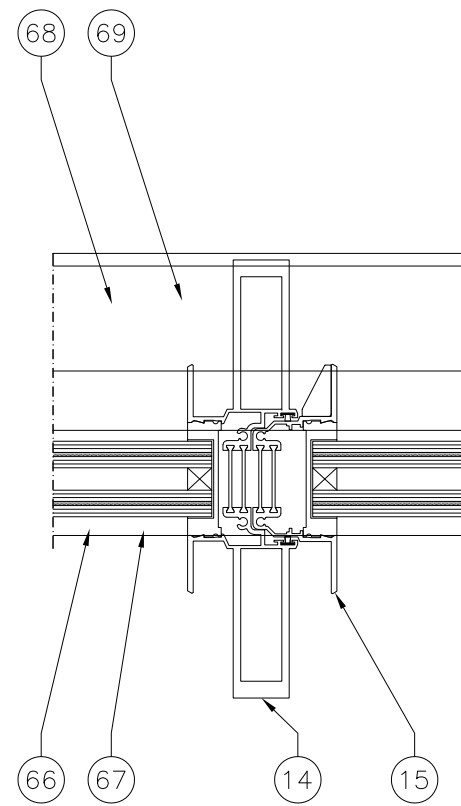
Luis R. Lomas P.E.
 FL No.: 62514

FOR ILLUSTRATION PURPOSES ONLY
 FOR INSTALLATION DETAILS REFER TO SHEETS 6-10

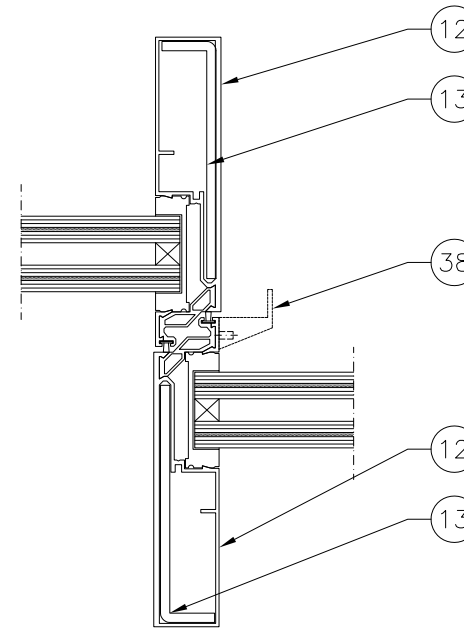
REVISIONS			
REV	DESCRIPTION	DATE	APPROVED



HORIZONTAL CROSS SECTION



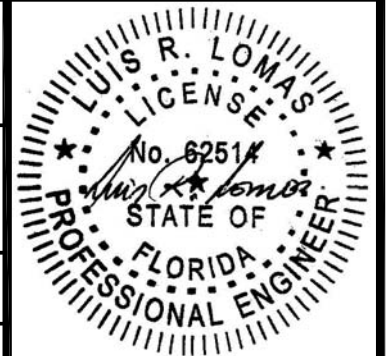
MIDDLE OPENING
 SAME TRACK



MIDDLE OPENING
 OFFSET

SIGNED: 03/27/2019

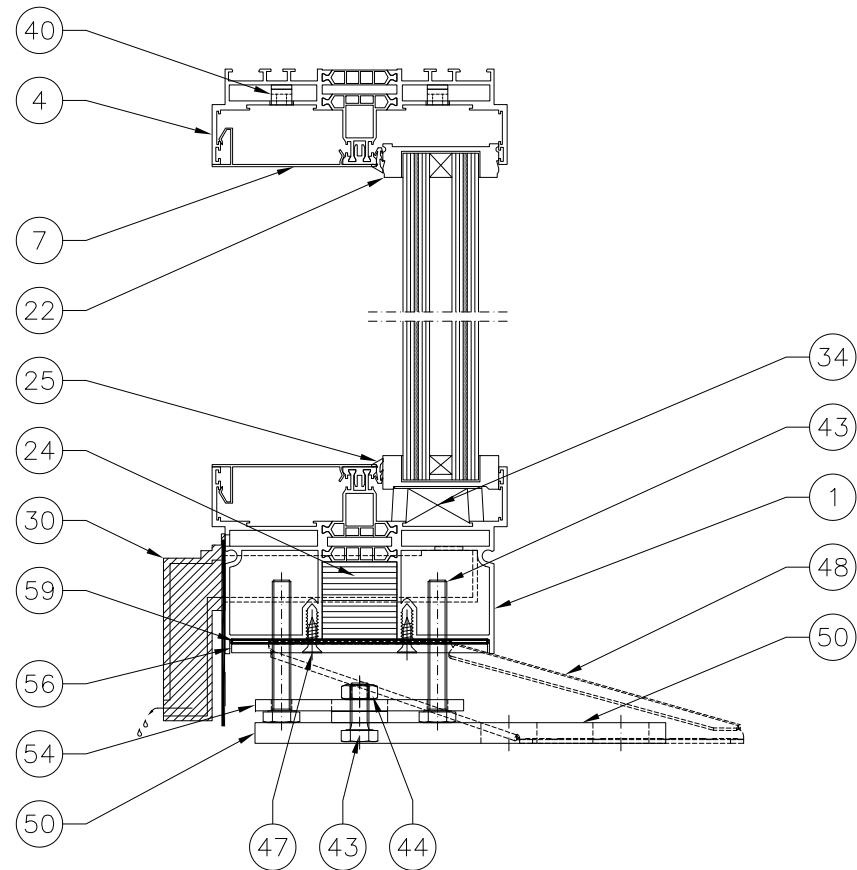
SKY-FRAME INC. LANGFELDSTRASSE 111 FRAUENFELD, SWITZERLAND CH-8500		
SERIES SKY-FRAME 3 ALUMINUM HORIZONTAL SLIDING DOOR - IMPACT HVHZ HORIZONTAL CROSS SECTIONS		
DRAWN: A.R.	DWG NO. 08-03336	REV -
SCALE NTS	DATE 10/22/18	SHEET 4 OF 14
L. ROBERTO LOMAS P.E. 1432 WOODFORD RD LEWISVILLE, NC 27023 434-688-0609 rllomas@lrlomaspe.com		



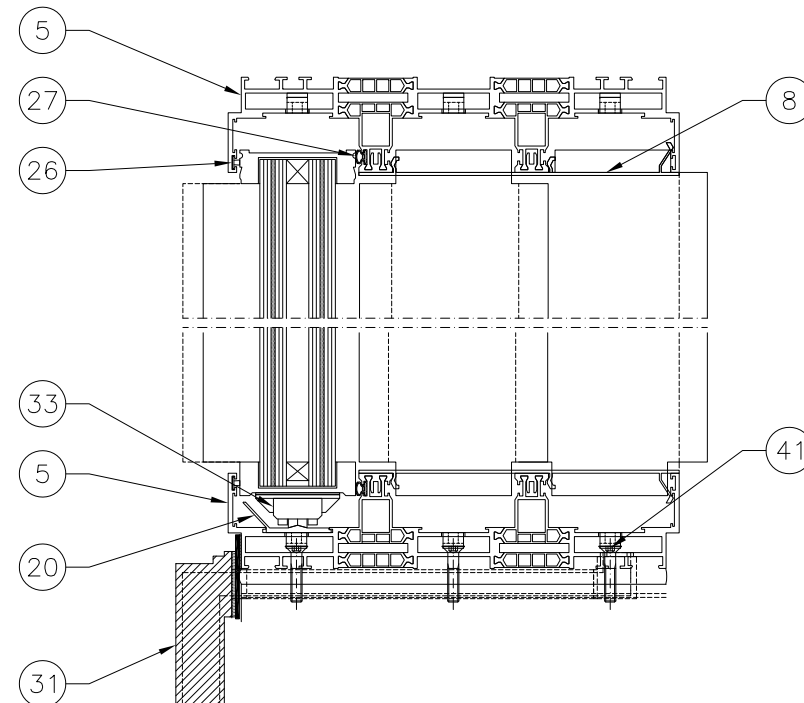
Luis R. Lomas P.E.
 FL No.: 62514

FOR ILLUSTRATION PURPOSES ONLY
FOR INSTALLATION DETAILS REFER TO SHEETS 6-10

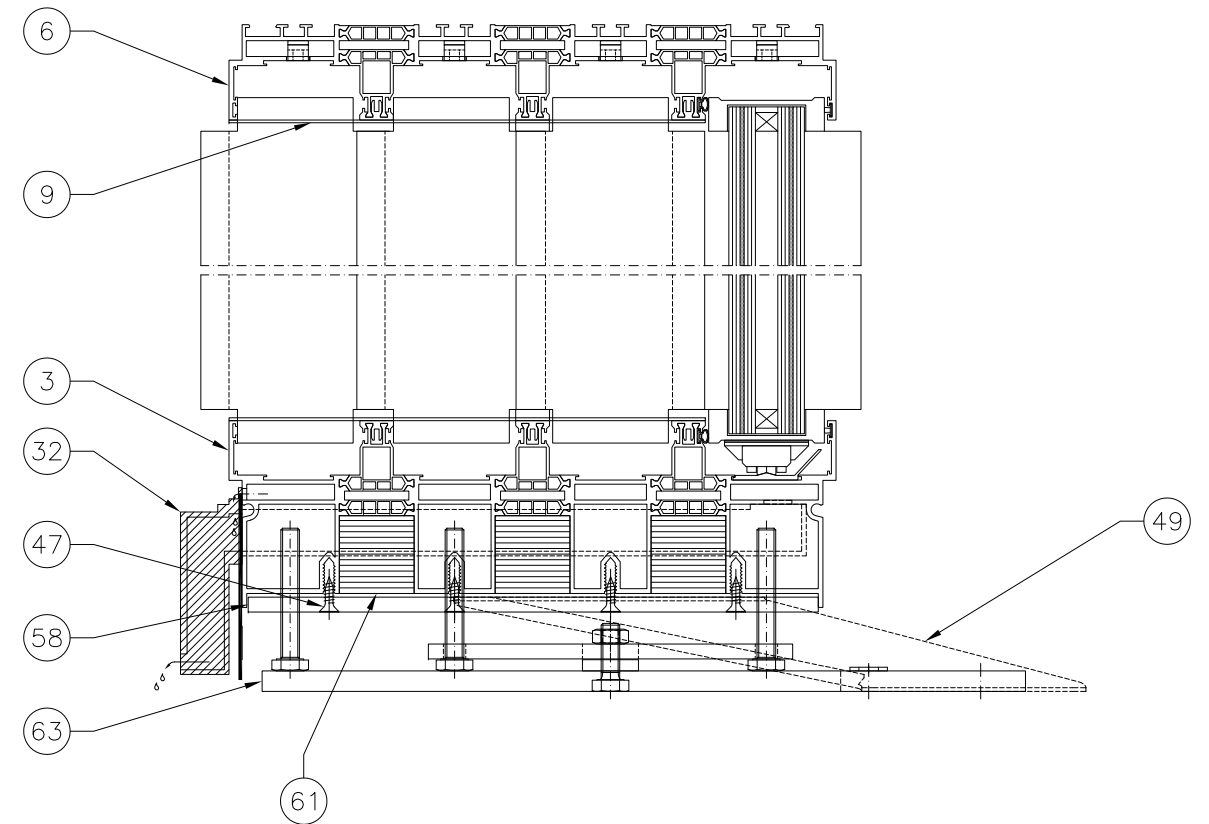
REVISIONS			
REV	DESCRIPTION	DATE	APPROVED



2 TRACK VERTICAL CROSS SECTION
WITH STANDARD BOTTOM



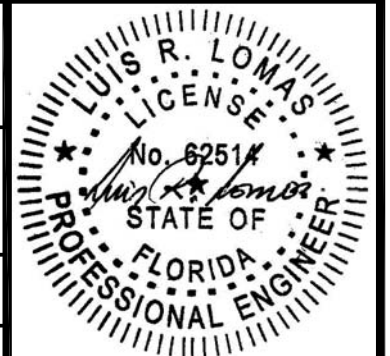
3 TRACK VERTICAL CROSS SECTION
WITH BOTTOM 75



4 TRACK VERTICAL CROSS SECTION
WITH STANDARD BOTTOM

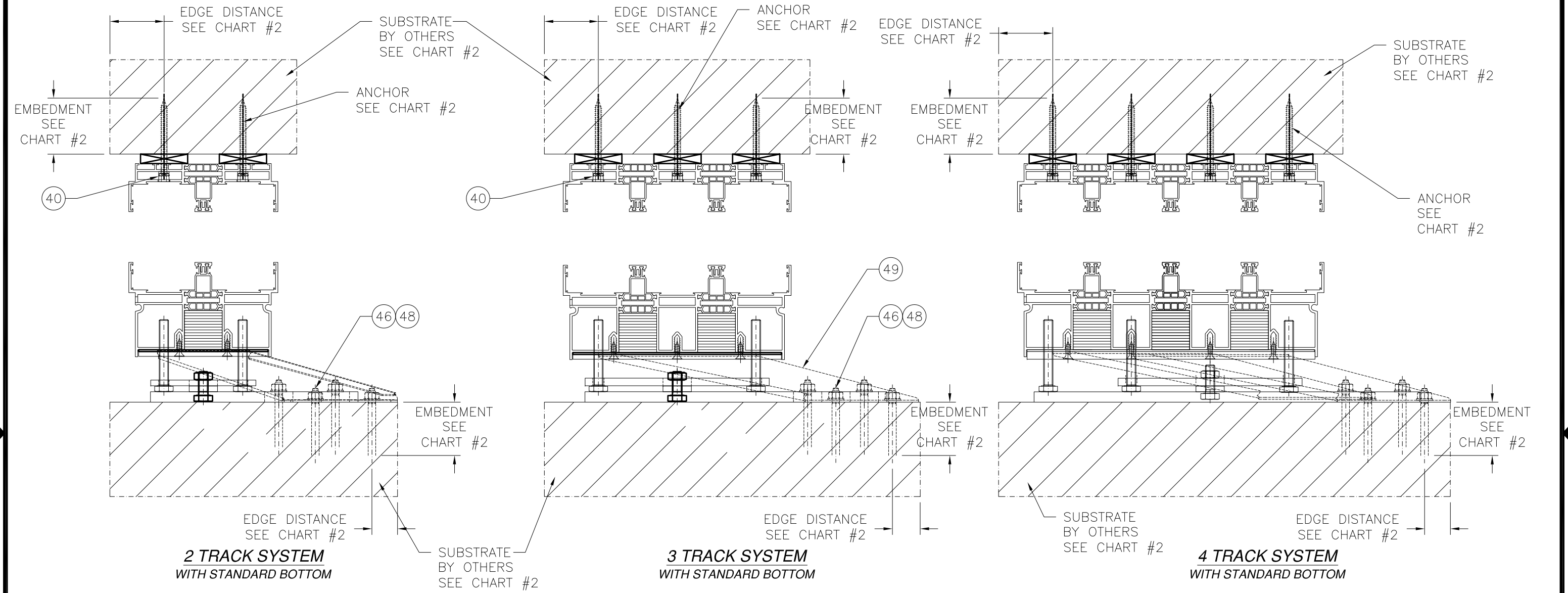
SIGNED: 03/27/2019

SKY-FRAME INC. LANGFELDSTRASSE 111 FRAUENFELD, SWITZERLAND CH-8500		
SERIES SKY-FRAME 3 ALUMINUM HORIZONTAL SLIDING DOOR - IMPACT HVHZ VERTICAL CROSS SECTIONS		
DRAWN: A.R.	DWG NO. 08-03336	REV -
SCALE NTS	DATE 10/22/18	SHEET 5 OF 14
L. ROBERTO LOMAS P.E. 1432 WOODFORD RD LEWISVILLE, NC 27023 434-688-0609 rllomas@lrlomaspe.com		



Luis R. Lomas P.E.
FL No.: 62514

REVISIONS			
REV	DESCRIPTION	DATE	APPROVED



2 TRACK SYSTEM
WITH STANDARD BOTTOM

3 TRACK SYSTEM
WITH STANDARD BOTTOM

4 TRACK SYSTEM
WITH STANDARD BOTTOM

Chart #2

Location	Track system	Anchor type	Substrate	Minimum	
				Embedment	Edge Distance
Head Profile and Jamb	2-Track	Universal anchor SF countersunk D7.5MM	Concrete	1 1/2"	3"
	3-Track		Masonry	1 1/2"	3"
	4-Track	Countersunk screw M6	Wood Buck	2"	1 1/4"
			Steel	3/16" thick	1 1/4"
Bottom standard	2-Track	Universal anchor Hex Head D10MM	Concrete	1 1/2"	3"
			Masonry	1 1/2"	3"
	4-Track	Expansion anchor D10MM	Wood Buck	2"	1 1/4"
			Steel	1/4" thick	1 1/4"
		5/16" lag screw	Aluminum	1/4" thick	1 1/4"
Bottom 75	2-Track	Universal anchor Hex Head D10MM	Concrete	2"	3"
			Masonry	2"	3"
	3-Track		Wood Buck	2"	1 1/4"
			Steel	1/4" thick	1 1/4"
	4-Track	Self drilling HH screw D10x25MM	Aluminum	1/4" thick	1 1/4"

SIGNED: 03/27/2019

SKY-FRAME INC.
LANGFELDSTRASSE 111
FRAUENFELD, SWITZERLAND CH-8500

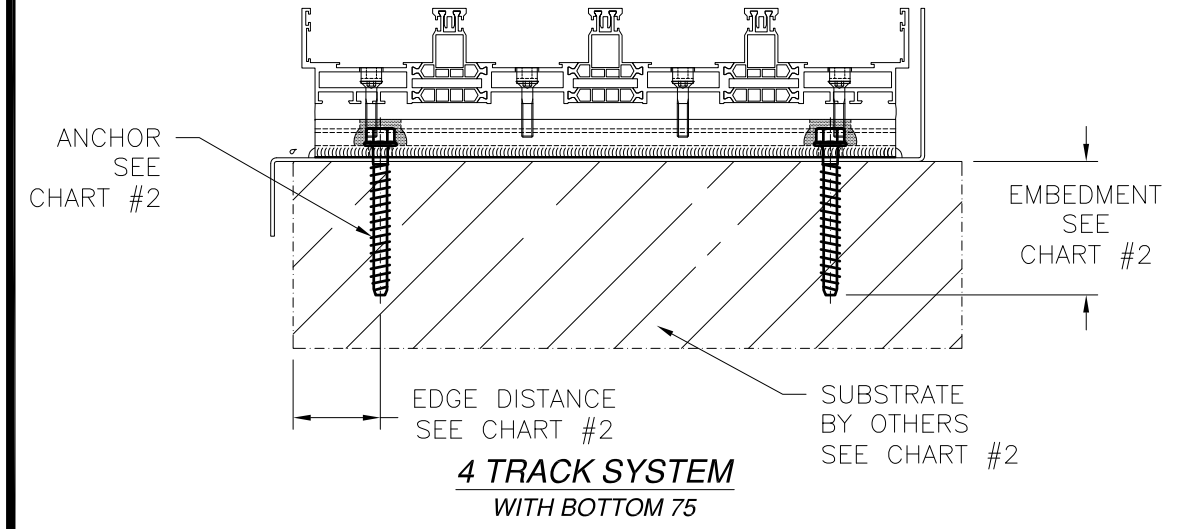
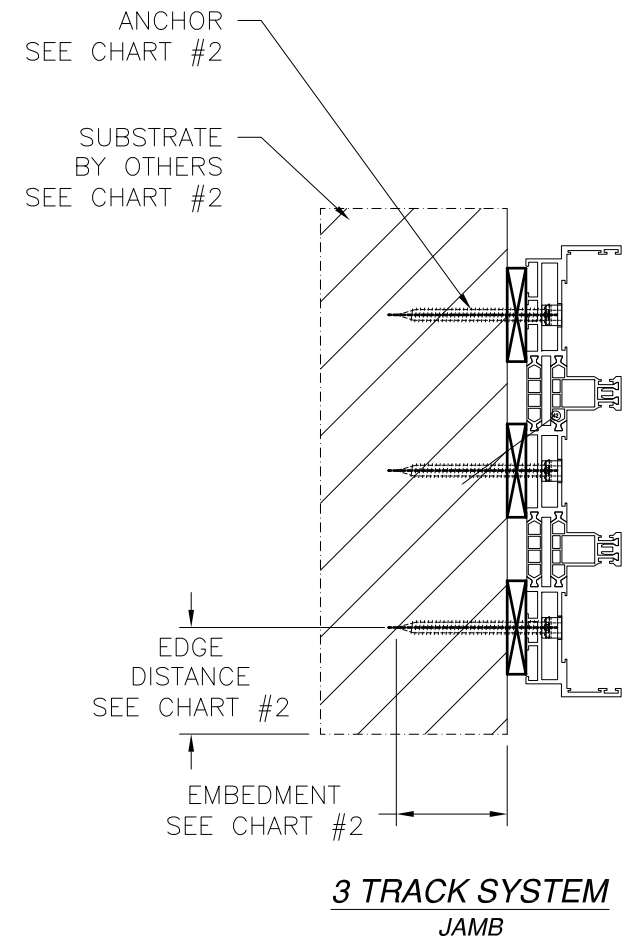
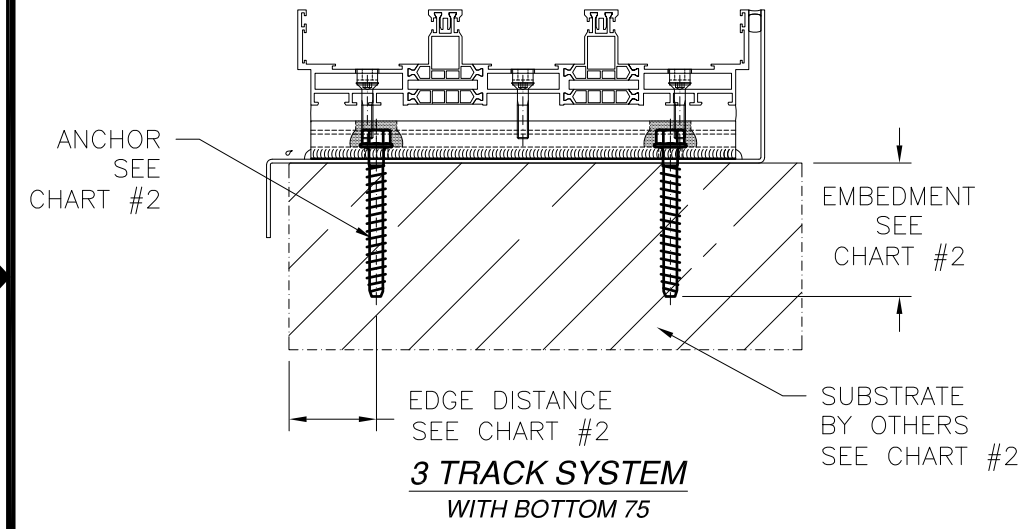
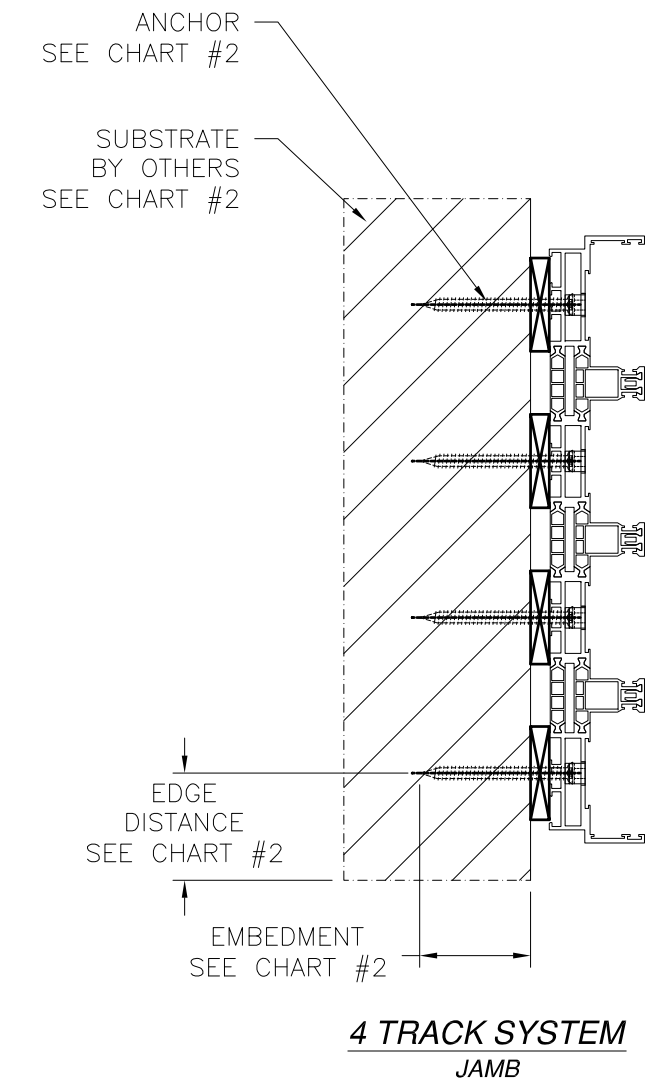
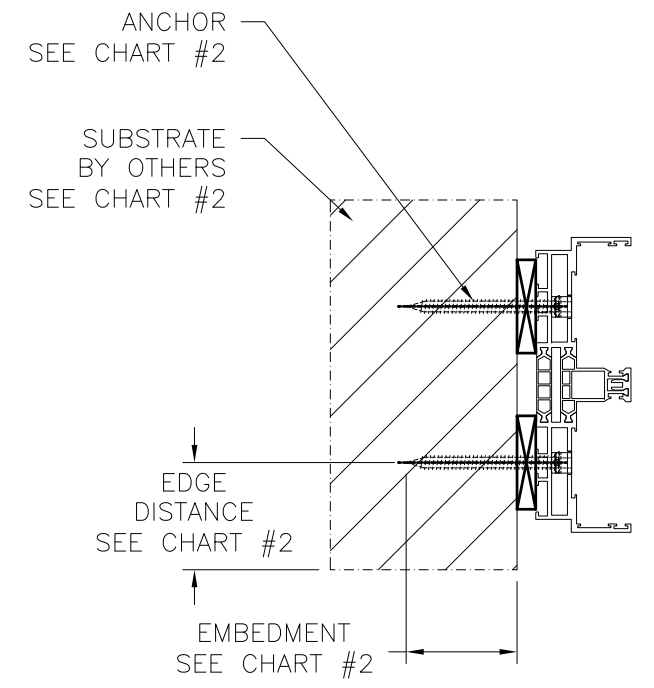
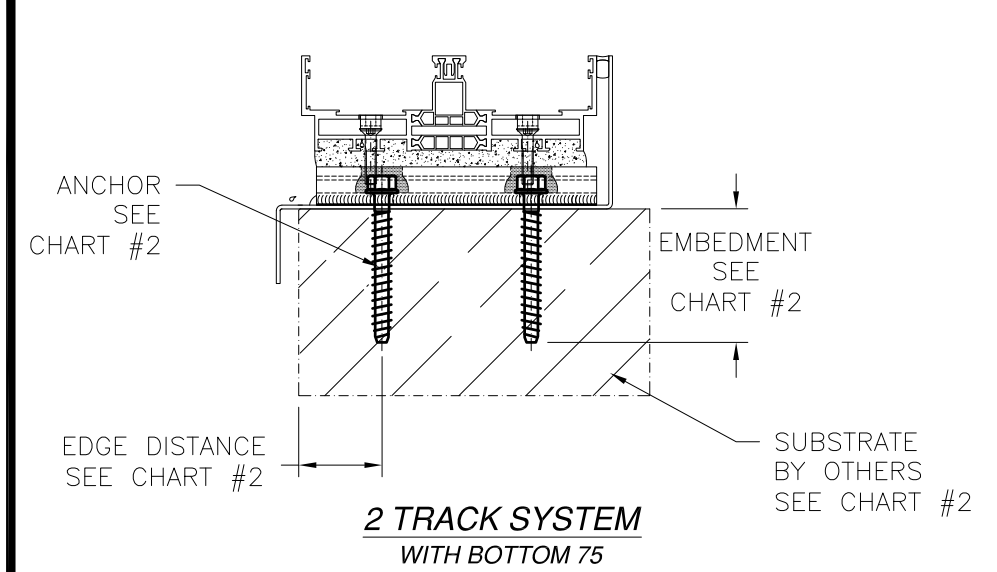
SERIES SKY-FRAME 3 ALUMINUM
HORIZONTAL SLIDING DOOR - IMPACT HVHZ
INSTALLATION DETAILS

DRAWN: A.R.	DWG NO. 08-03336	REV -
SCALE NTS	DATE 10/22/18	SHEET 6 OF 14

L. ROBERTO LOMAS P.E.
1432 WOODFORD RD LEWISVILLE, NC 27023
434-688-0609 rllomas@lrlomaspe.com

Luis R. Lomas P.E.
FL No.: 62514

REVISIONS			
REV	DESCRIPTION	DATE	APPROVED



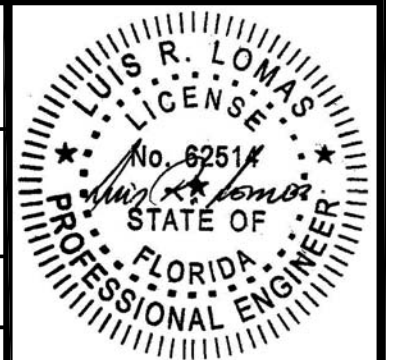
SKY-FRAME INC.
LANGFELDSTRASSE 111
FRAUENFELD, SWITZERLAND CH-8500

SERIES SKY-FRAME 3 ALUMINUM
HORIZONTAL SLIDING DOOR - IMPACT HVHZ
INSTALLATION DETAILS

DRAWN: A.R.	DWG NO. 08-03336	REV -
SCALE NTS	DATE 10/22/18	SHEET 7 OF 14

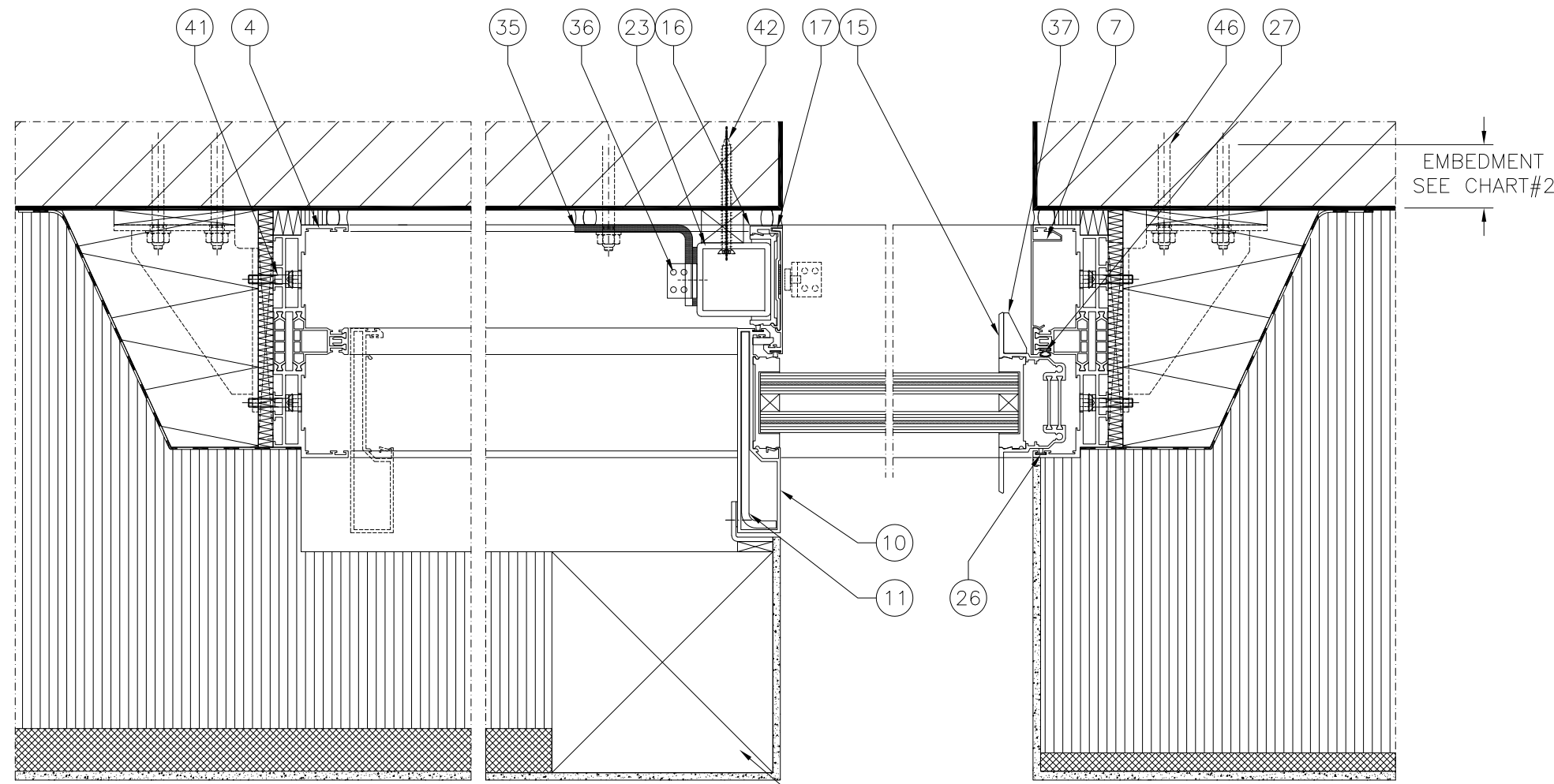
L. ROBERTO LOMAS P.E.
1432 WOODFORD RD LEWISVILLE, NC 27023
434-688-0609 rllomas@lrlomaspe.com

SIGNED: 03/27/2019



Luis R. Lomas P.E.
FL No.: 62514

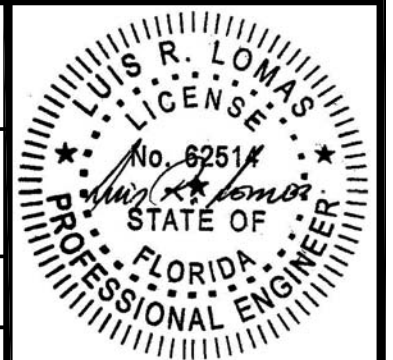
REVISIONS			
REV	DESCRIPTION	DATE	APPROVED



2 TRACK SYSTEM
POCKET INSTALLATION

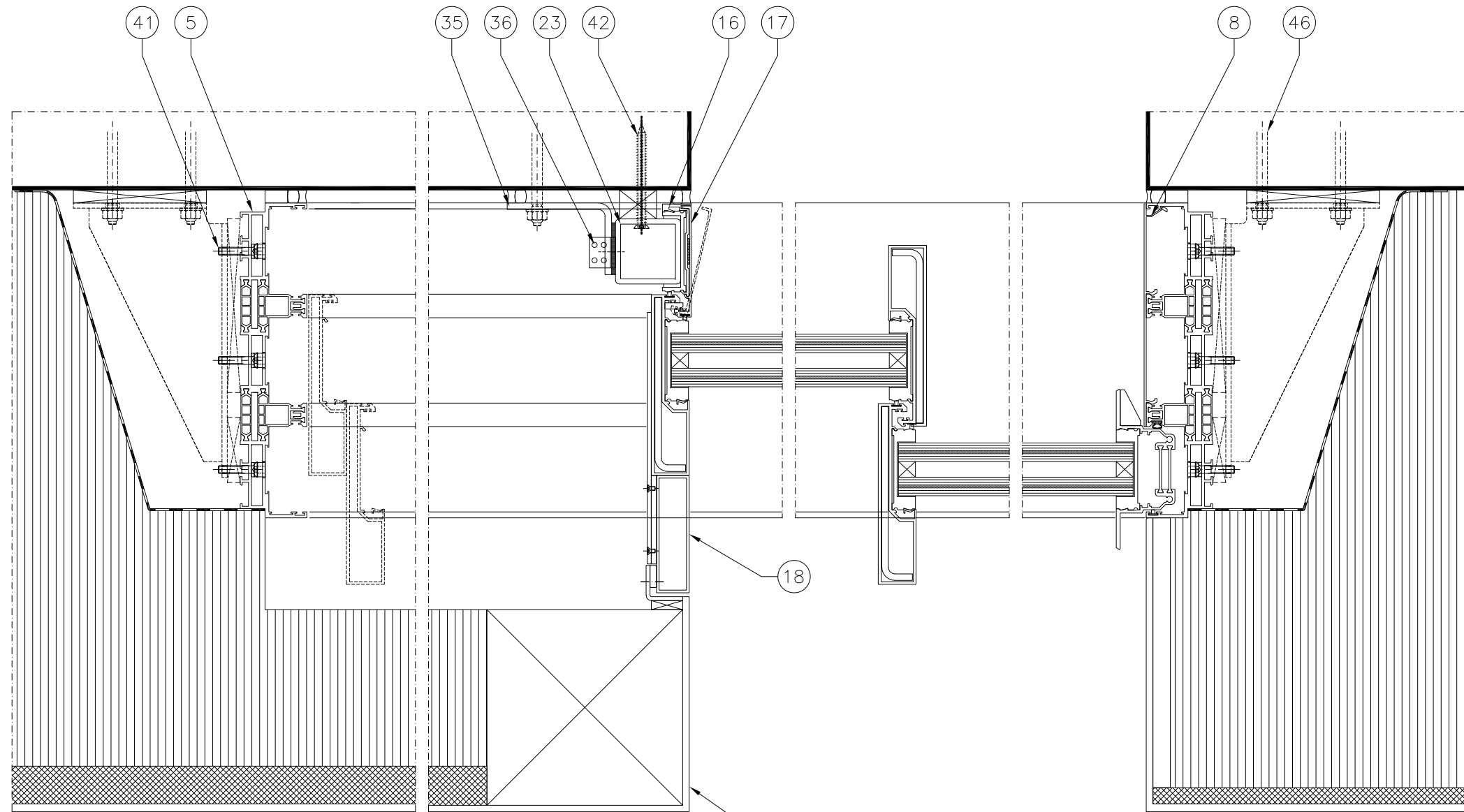
SIGNED: 03/27/2019

SKY-FRAME INC. LANGFELDSTRASSE 111 FRAUENFELD, SWITZERLAND CH-8500		
SERIES SKY-FRAME 3 ALUMINUM HORIZONTAL SLIDING DOOR - IMPACT HVHZ INSTALLATION DETAILS		
DRAWN: A.R.	DWG. NO. 08-03336	REV -
SCALE NTS	DATE 10/22/18	SHEET 8 OF 14
L. ROBERTO LOMAS P.E. 1432 WOODFORD RD LEWISVILLE, NC 27023 434-688-0609 rlomas@lrlomaspe.com		



Luis R. Lomas P.E.
FL No.: 62514

REVISIONS			
REV	DESCRIPTION	DATE	APPROVED

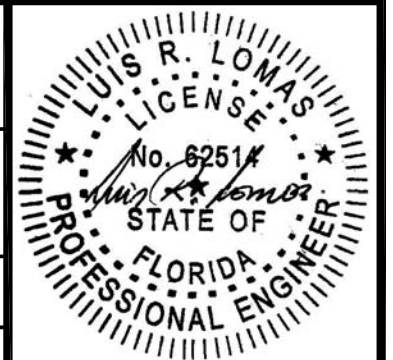


SUPPORT AND SUBSTRATE
BY OTHERS

3 TRACK SYSTEM
POCKET INSTALLATION

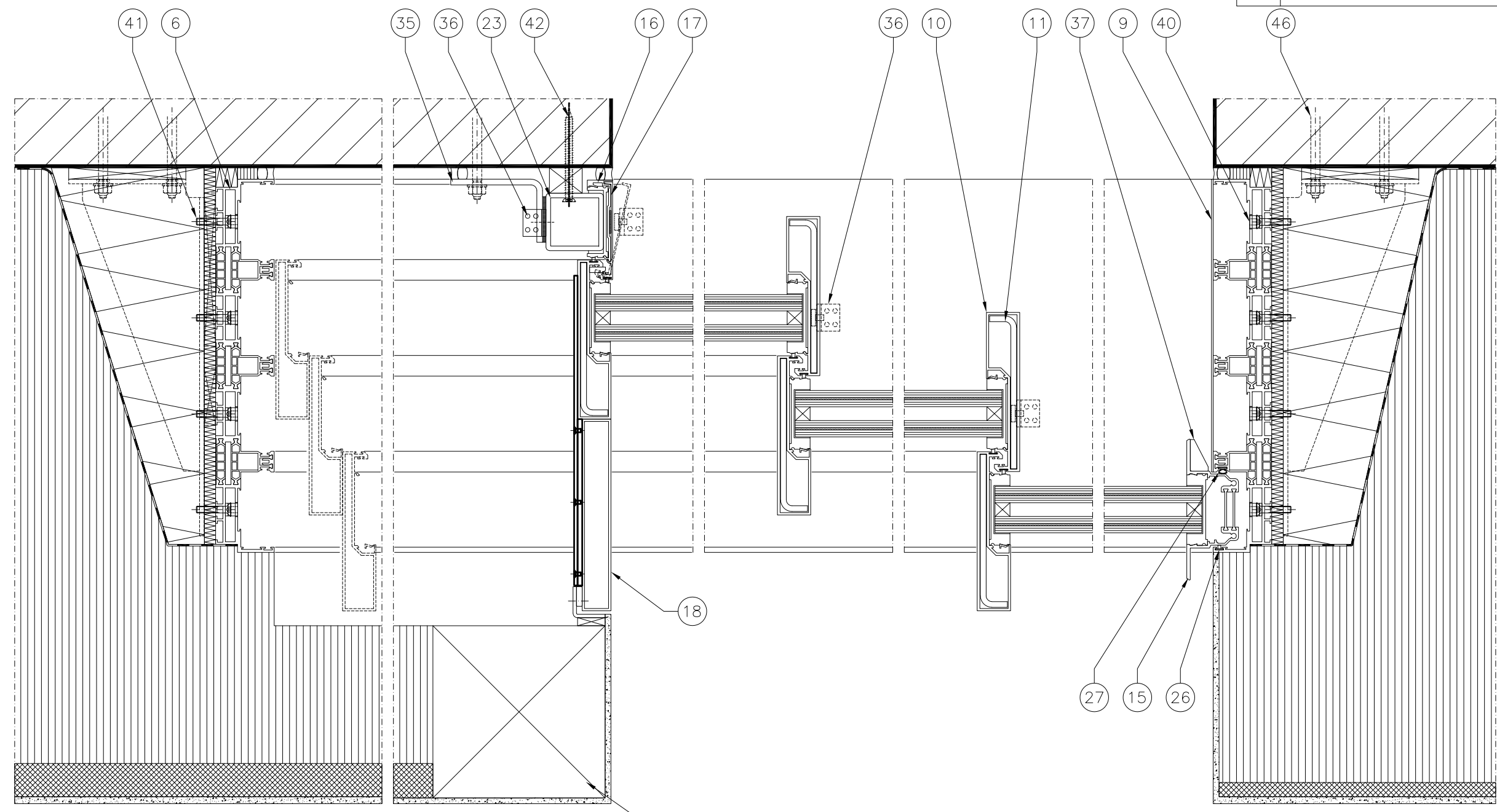
SIGNED: 03/27/2019

SKY-FRAME INC. LANGFELDSTRASSE 111 FRAUENFELD, SWITZERLAND CH-8500		
SERIES SKY-FRAME 3 ALUMINUM HORIZONTAL SLIDING DOOR - IMPACT HVHZ INSTALLATION DETAILS		
DRAWN: A.R.	DWG NO. 08-03336	REV -
SCALE NTS	DATE 10/22/18	SHEET 9 OF 14
L. ROBERTO LOMAS P.E. 1432 WOODFORD RD LEWISVILLE, NC 27023 434-688-0609 rllomas@lrlomaspe.com		



Luis R. Lomas P.E.
FL No.: 62514

REVISIONS			
REV	DESCRIPTION	DATE	APPROVED

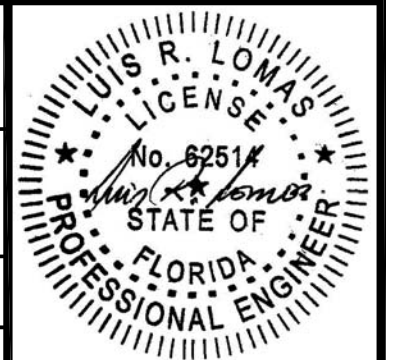


SUPPORT AND SUBSTRATE
BY OTHERS

4 TRACK SYSTEM
POCKET INSTALLATION

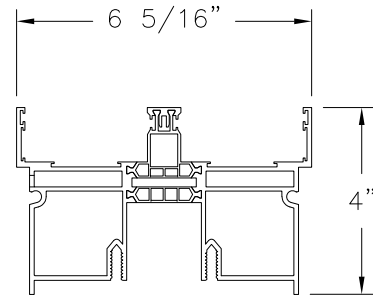
SIGNED: 03/27/2019

SKY-FRAME INC. LANGFELDSTRASSE 111 FRAUENFELD, SWITZERLAND CH-8500		
SERIES SKY-FRAME 3 ALUMINUM HORIZONTAL SLIDING DOOR - IMPACT HVHZ INSTALLATION DETAILS		
DRAWN: A.R.	DWG NO. 08-03336	REV -
SCALE NTS	DATE 10/22/18	SHEET 10 OF 14
L. ROBERTO LOMAS P.E. 1432 WOODFORD RD LEWISVILLE, NC 27023 434-688-0609 rllomas@lrlomaspe.com		

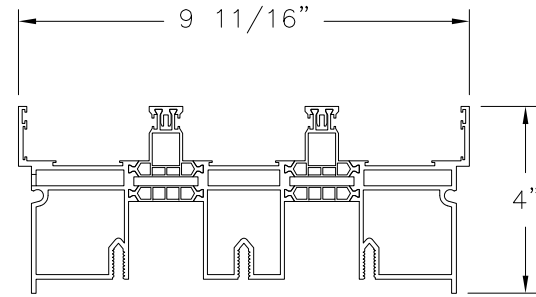


Luis R. Lomas P.E.
FL No.: 62514

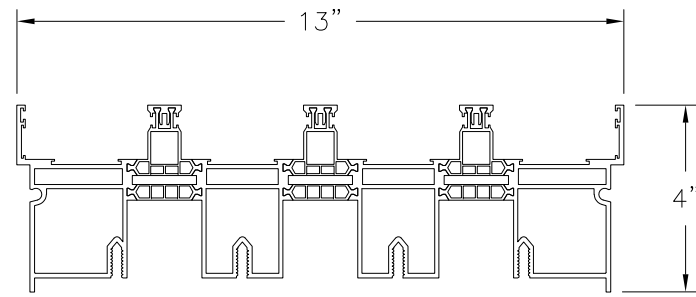
REVISIONS			
REV	DESCRIPTION	DATE	APPROVED



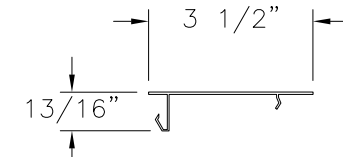
1 **BOTTOM 2 TRACK STANDARD**
301001 ALUMINUM 6060-T64 (.098" THICK)



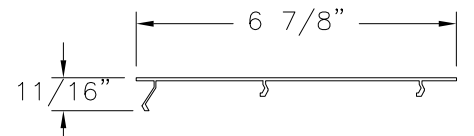
2 **BOTTOM 3 TRACK STANDARD**
301001 ALUMINUM 6060-T64 (.098" THICK)



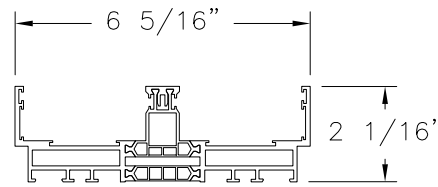
3 **BOTTOM 4 TRACK STANDARD**
401417 ALUMINUM 6060-T64 (.098" THICK)



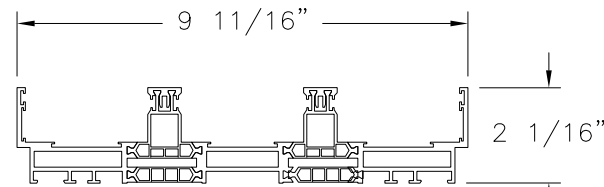
7 **COPING SF3 1-TRACK**
320201 ALUMINUM 6060-T66 (.059" THICK)



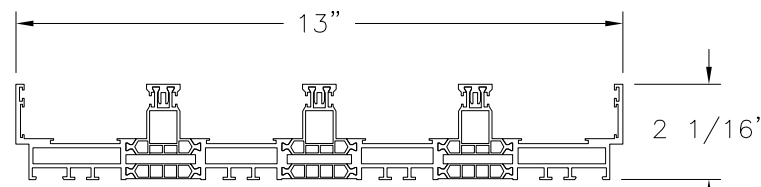
8 **COPING SF3 2-TRACK**
321201 ALUMINUM 6060-T66 (.059" THICK)



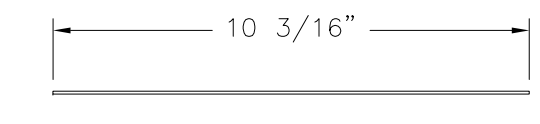
4 **WALL CONNECTION 2-TRACK**
300101 ALUMINUM 6060-T64 (.098" THICK)



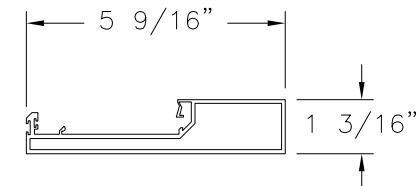
5 **WALL CONNECTION 3-TRACK**
300401 ALUMINUM 6060-T64 (.098" THICK)



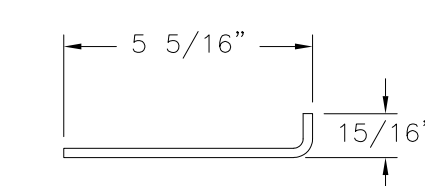
6 **WALL CONNECTION 4-TRACK**
401410 ALUMINUM 6060-T64 (.098" THICK)



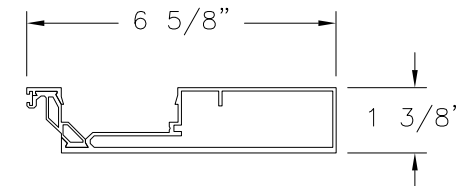
9 **COPING SF3 3-TRACK**
321201 ALUMINUM 6060-T66 (.059" THICK)



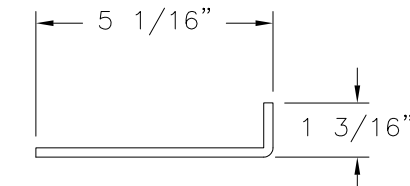
10 **LABYRINTH**
400493 ALUMINUM 6060-T66 (.090" THICK)



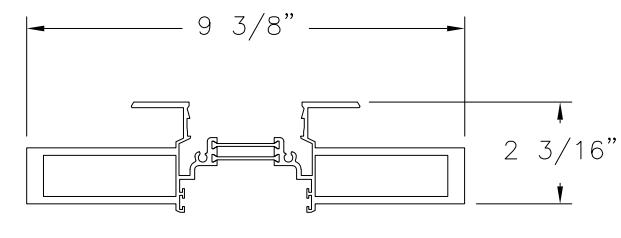
11 **STEEL INLAY**
400226 STEEL (.196" THICK)



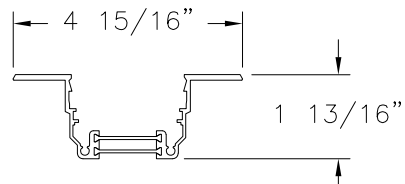
12 **CENTRE OPENING (OFFSET)**
400228 ALUMINUM 6060-T64 (.118" THICK)



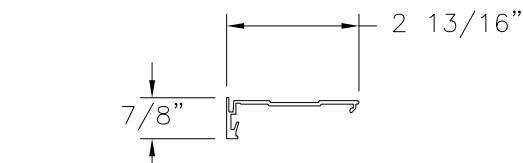
13 **STEEL INLAY**
400230 STEEL (.196" THICK)



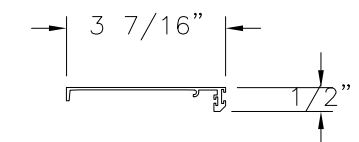
14 **CENTRE OPENING**
400563 ALUMINUM 6060-T64 (.157" THICK)



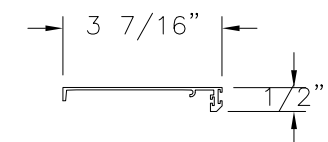
15 **LOCKING PROFILE**
310101 ALUMINUM 6060-T64 (.118" THICK)



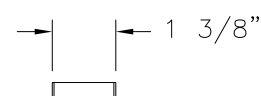
16 **POCKET LABYRINTH BASE**
144101 ALUMINUM 6060-T66 (.070" THICK)



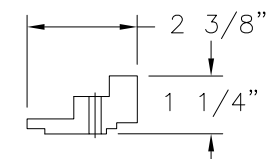
17 **POCKET LABYRINTH COPING**
144201 ALUMINUM 6060-T66 (.047" THICK)



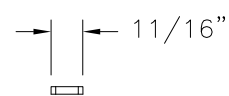
17 **POCKET LABYRINTH COPING**
144201 ALUMINUM 6060-T66 (.047" THICK)



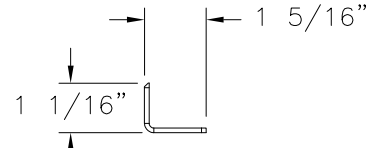
64 **MVV REINFORCEMENT**
402137 STAINLESS STEEL (.314" THICK)



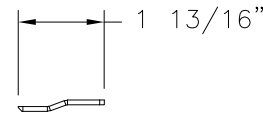
65 **MVV REINFORCEMENT**
402139 ALUMINUM 6060-T6 (.204" THICK)



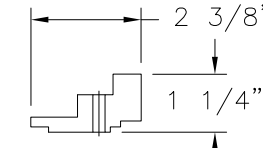
66 **MVE REINFORCEMENT**
402124 STAINLESS STEEL (.157" THICK)



67 **MVE REINFORCEMENT**
402125 STAINLESS STEEL (.098" THICK)



68 **MVE REINFORCEMENT**
402126 STAINLESS STEEL (.098" THICK)



69 **MVE REINFORCEMENT**
402127 ALUMINUM 6060-T6 (.204" THICK)

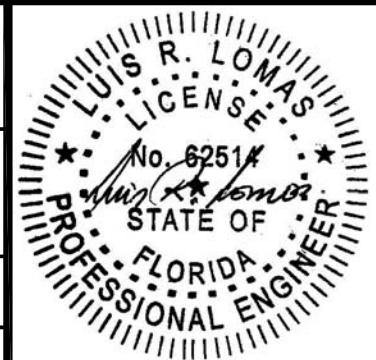
SKY-FRAME INC.
LANGFELDSTRASSE 111
FRAUENFELD, SWITZERLAND CH-8500

SERIES SKY-FRAME 3 ALUMINUM
HORIZONTAL SLIDING DOOR - IMPACT HVHZ
COMPONENTS

DRAWN: A.R.	DWG NO. 08-03336	REV -
SCALE NTS	DATE 10/22/18	SHEET 11 OF 14

L. ROBERTO LOMAS P.E.
1432 WOODFORD RD LEWISVILLE, NC 27023
434-688-0609 rllomas@lrlomaspe.com

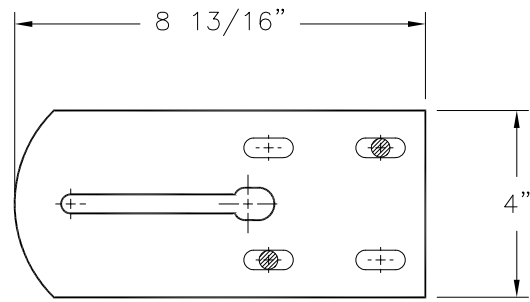
SIGNED: 03/27/2019



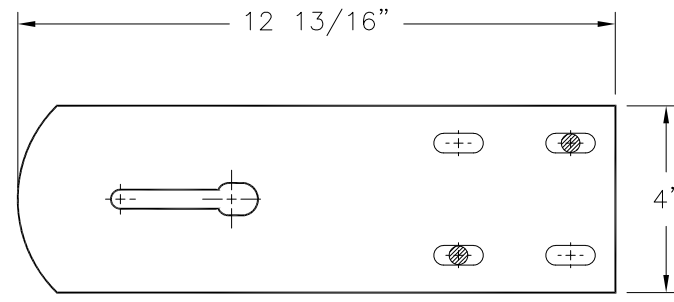
Luis R. Lomas P.E.
FL No.: 62514



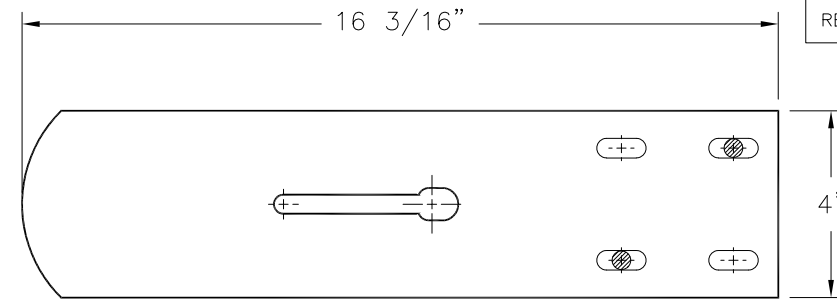
REVISIONS			
REV	DESCRIPTION	DATE	APPROVED



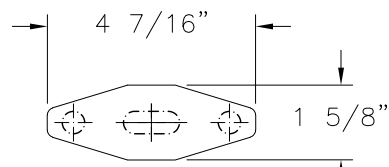
50 **BASE PLATE 2-TRACK**
138000 ALUMINUM 6082-T6 (.433" THICK)



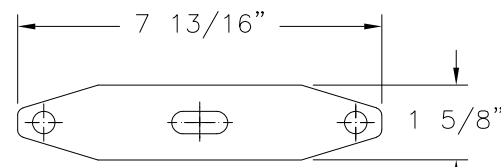
51 **BASE PLATE 3-TRACK**
138100 ALUMINUM 6082-T6 (.433" THICK)



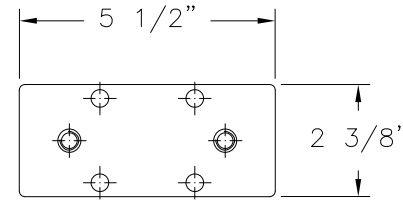
63 **BASE PLATE 4-TRACK**
402043 ALUMINUM 6082-T6 (.433" THICK)



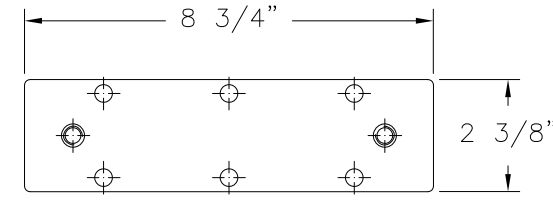
54 **CLAMPING PLATE 2-TRACK**
357102 STEEL (.236" THICK)



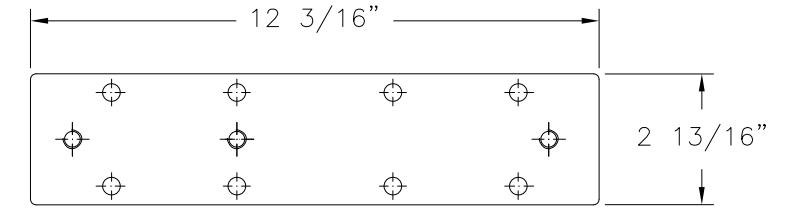
55 **CLAMPING PLATE 3-TRACK**
357202 STEEL (.236" THICK)



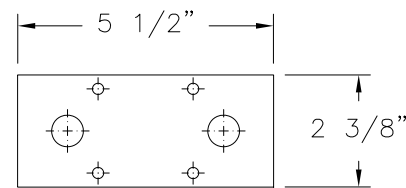
56 **BASE PLATE 2-TRACK**
357101 STEEL (.118" THICK)



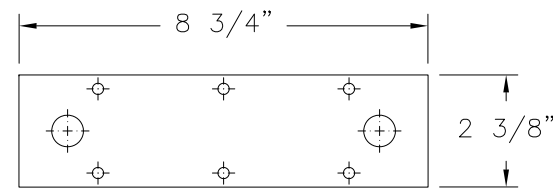
57 **BASE PLATE 3-TRACK**
357201 STEEL (.118" THICK)



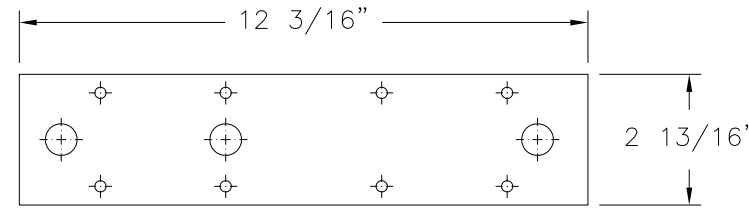
58 **BASE PLATE 4-TRACK**
402039 STEEL (.118" THICK)



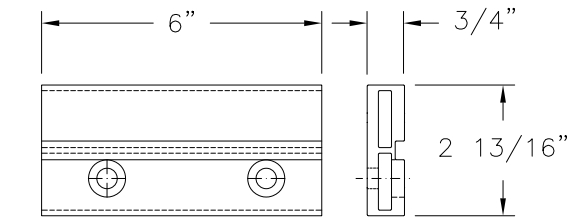
56 **INSULATION 2-TRACK**
357103 PUR (.078" THICK)



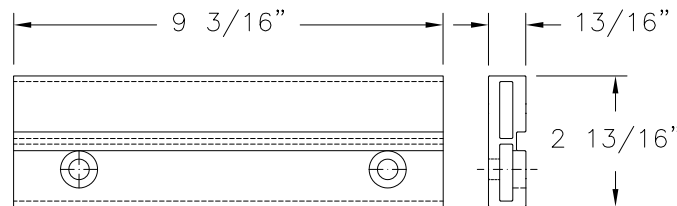
60 **INSULATION 3-TRACK**
357203 PUR (.078" THICK)



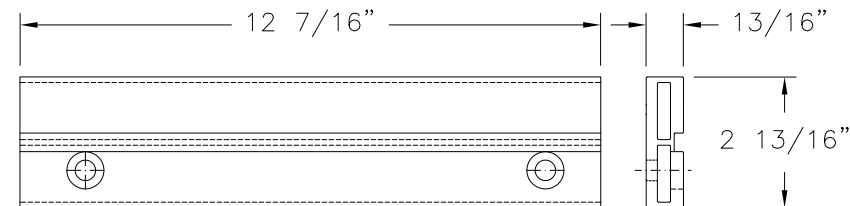
61 **INSULATION 4-TRACK**
402038 PUR (.078" THICK)



52 **BASE PLATE 2-TRACK**
400569 ALUMINUM 6060-T66 (.236" THICK)



53 **BASE PLATE 3-TRACK**
400570 ALUMINUM 6060-T66 (.236" THICK)



62 **BASE PLATE 4-TRACK**
400565 ALUMINUM 6060-T66 (.236" THICK)

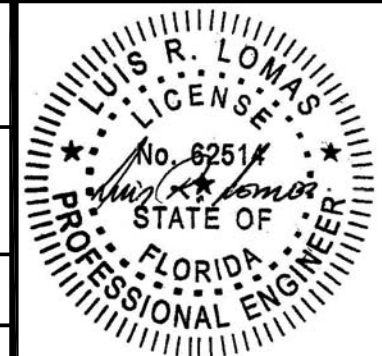
SIGNED: 03/27/2019

SKY-FRAME INC.
LANGFELDSTRASSE 111
FRAUENFELD, SWITZERLAND CH-8500

SERIES SKY-FRAME 3 ALUMINUM
HORIZONTAL SLIDING DOOR - IMPACT HVHZ
COMPONENTS

DRAWN: A.R.	DWG NO. 08-03336	REV -
SCALE NTS	DATE 10/22/18	SHEET 12 OF 14

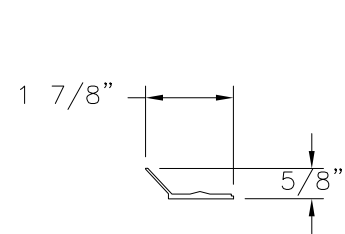
L. ROBERTO LOMAS P.E.
1432 WOODFORD RD LEWISVILLE, NC 27023
434-688-0609 rlomas@lrlomaspe.com



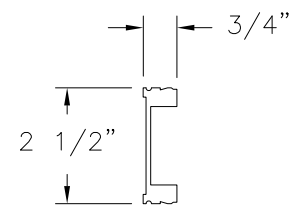
Luis R. Lomas P.E.
FL No.: 62514



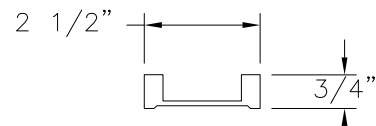
REVISIONS			
REV	DESCRIPTION	DATE	APPROVED



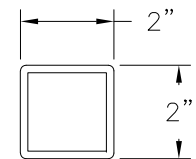
20 **RAIL**
400490 ALUMINUM 6060-T64 AND
STAINLESS STEEL 1.4310



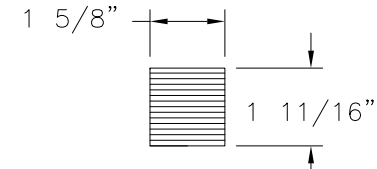
21 **EDGE PROFIL V.**
130900 GFRP



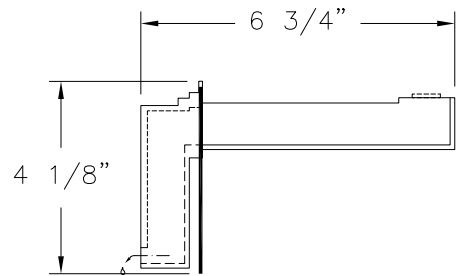
22 **EDGE PROFIL H.**
130800 GFRP



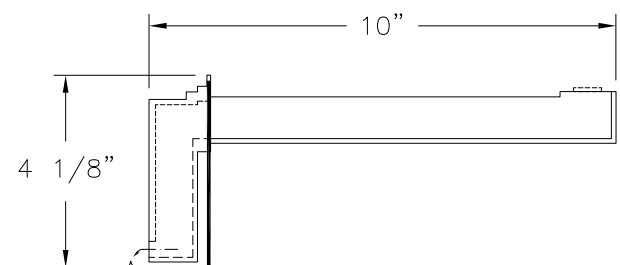
23 **POCKET MULLION**
182700 ALUMINUM 6060-T4



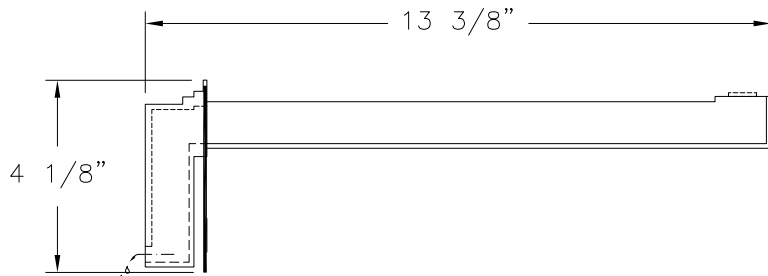
24 **THERMAL INSULATION**
157700 XSP



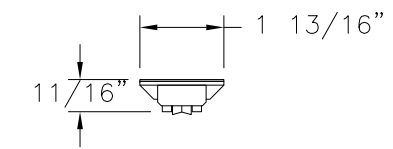
30 **HEAVY RAIN DEVICE GDE 2-TRACK**
401447/401448/401449/166600 PVC



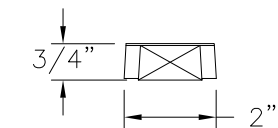
31 **HEAVY RAIN DEVICE GDE 3-TRACK**
401447/401448/401449/166600 PVC



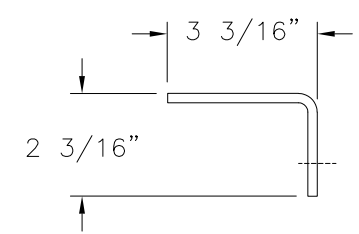
32 **HEAVY RAIN DEVICE GDE 4-TRACK**
401447/401448/401449/166600 PVC



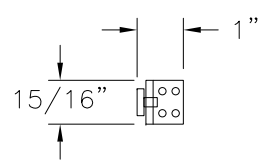
33 **RUNNING GEARS**
400519 PA6



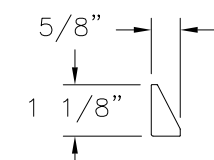
34 **GLASS SUPPORT**
143500 PA6



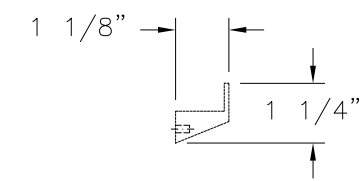
35 **POCKET PIPE BRACKET**
STAINLESS STEEL



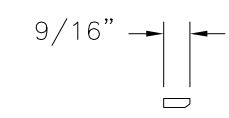
36 **POCKET PIPE BRACKET**
558900 STAINLESS STEEL



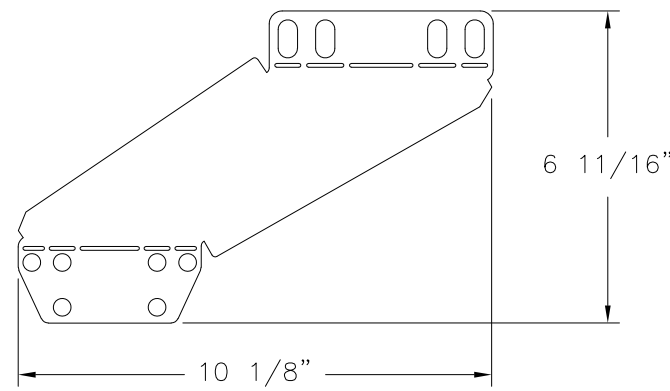
37 **HANDLE**
145801 ALUMINUM 6060-T66



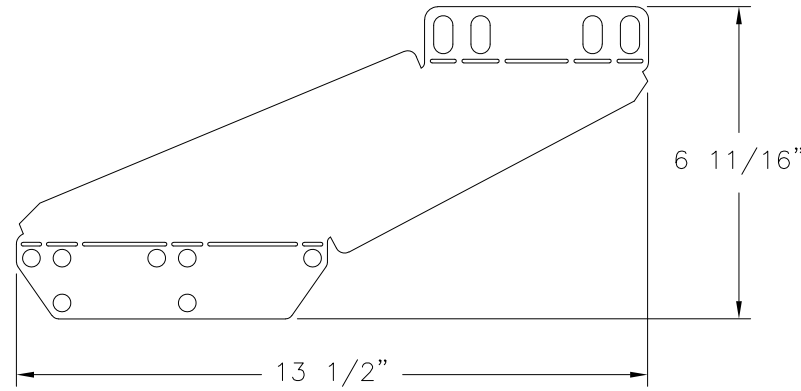
38 **HANDLE**
151801 ALUMINUM 6060-T6



39 **ABUTTING WEDGE**
154700 POM (.1875\" THICK)



48 **WIND BRACKET**
402025 STAINLESS STEEL 1.4301



49 **WIND BRACKET**
402026 STAINLESS STEEL 1.4301

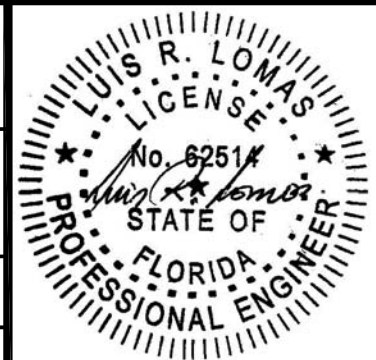
SKY-FRAME INC.
LANGFELDSTRASSE 111
FRAUENFELD, SWITZERLAND CH-8500

SERIES SKY-FRAME 3 ALUMINUM
HORIZONTAL SLIDING DOOR - IMPACT HVHZ
COMPONENTS

DRAWN: A.R.	DWG NO. 08-03336	REV -
SCALE NTS	DATE 10/22/18	SHEET 13 OF 14

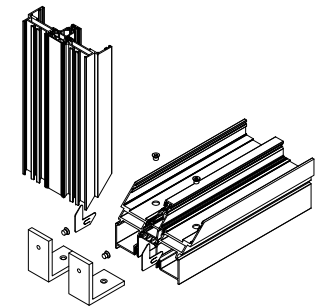
L. ROBERTO LOMAS P.E.
1432 WOODFORD RD LEWISVILLE, NC 27023
434-688-0609 rllomas@lrlomaspe.com

SIGNED: 03/27/2019

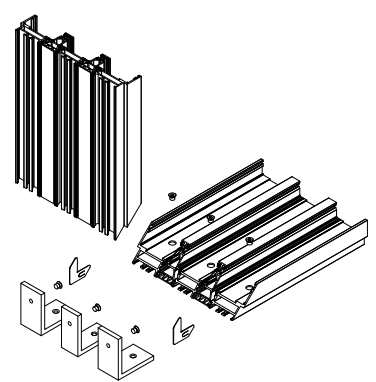


Luis R. Lomas P.E.
FL No.: 62514

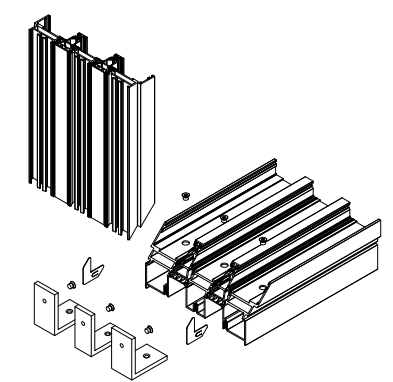
REVISIONS			
REV	DESCRIPTION	DATE	APPROVED



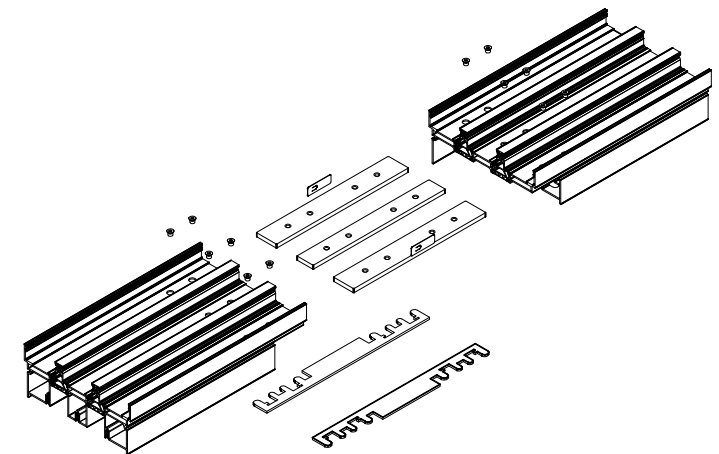
MITER JOINT 2-TRACK
WALL CONNECTION - BOTTOM PROFILE



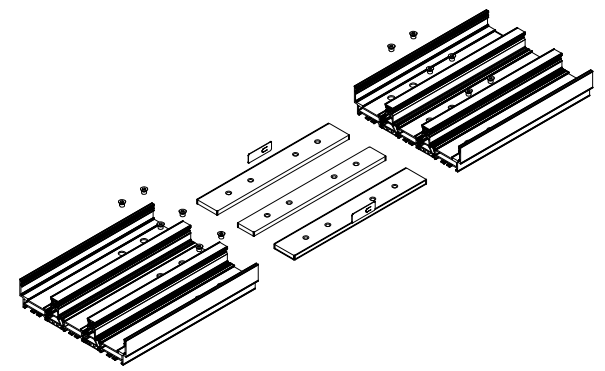
MITER JOINT 3-TRACK
WALL CONNECTION - BOTTOM TRACK 75



MITER JOINT 3-TRACK
WALL CONNECTION - BOTTOM STANDARD



LONGITUDINAL CONNECTION
BOTTOM TRACK STANDARD



LONGITUDINAL CONNECTION
HEADER PROFIL AND
BOTTOM 75 PROFIL

SKY-FRAME INC. LANGFELDSTRASSE 111 FRAUENFELD, SWITZERLAND CH-8500		
SERIES SKY-FRAME 3 ALUMINUM HORIZONTAL SLIDING DOOR - IMPACT HVHZ COMPONENTS		
DRAWN: A.R.	DWG NO. 08-03336	REV -
SCALE NTS	DATE 10/22/18	SHEET 14 OF 14
L. ROBERTO LOMAS P.E. 1432 WOODFORD RD LEWISVILLE, NC 27023 434-688-0609 rllomas@lrlomaspe.com		

SIGNED: 03/27/2019



Luis R. Lomas P.E.
FL No.: 62514